

1/35 SCALE
5053
 Military Miniature Series



Valery Petelin 2021

Panzerkampfwagen IV Ausf.G

w/workable track links

Sd.Kfz.161/1

RFM
 RYEFIELD MODEL

ASSEMBLY ICONS



OPTIONAL
 选择



CEMENT
 膠水



DO NOT CEMENT
 不使用膠水



INSTANT CEMENT
 瞬間接著劑



BEND
 彎折



MAKE 2
 製作2組



OPEN HOLE
 鑽孔



REMOVE
 切除



BE CAREFUL
 注意



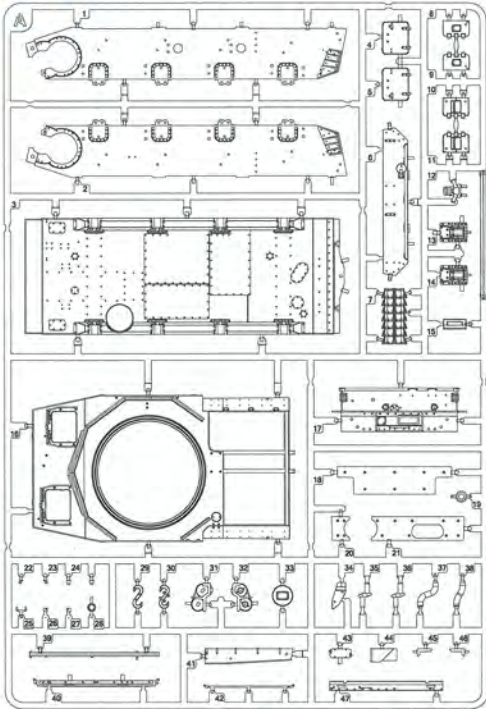
APPLY DECAL
 貼上水貼紙

CAUTION!

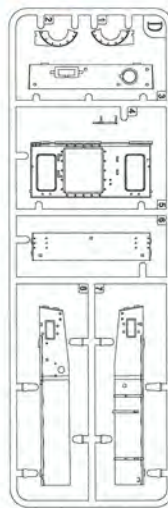
Read carefully and fully understand the instructions before commencing assembly. Supervising adult should also read the instructions if a child assembles the model. When you used glue or paint, do not use near a naked flame, and use in a well-ventilated room. When assembling this kit, tools including knives are used. Extra care should be taken to avoid personal injury. Read and follow the instructions supplied with paints and/ or cement. Use plastic cement and paints only. Keep out of reach of small children. Children must not be allowed to suck any part, or pull vinyl bag over the head.

在裝配前仔細閱讀說明並完全理解。小孩裝配時需成人看護且需仔細閱讀說明。使用膠水和油漆時，應遠離火源並打開窗戶保持空氣流通。製作時請格外注意工具刀和零件的鋒利尖銳部分，避免對身體造成傷害。在使用膠水和油漆前仔細閱讀注意事項，按照說明正確使用膠水和油漆。請將本品放在兒童接觸不到的地方，套件中的塑膠包裝袋會對兒童造成窒息的危險。

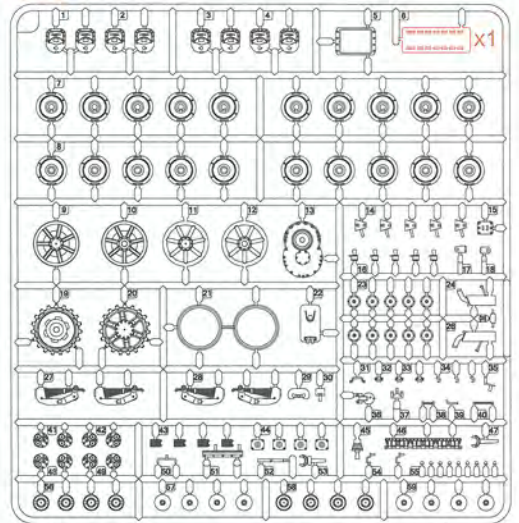
A x1



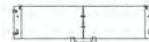
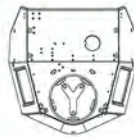
D x1



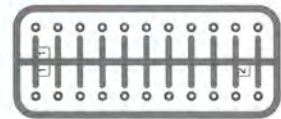
C x2



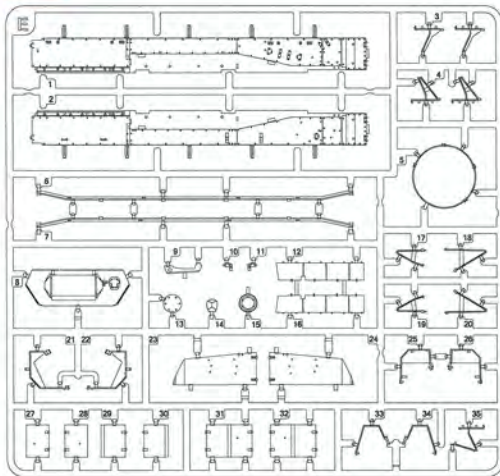
Turret



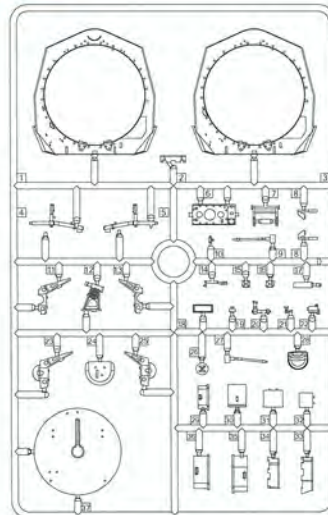
Poly Cap



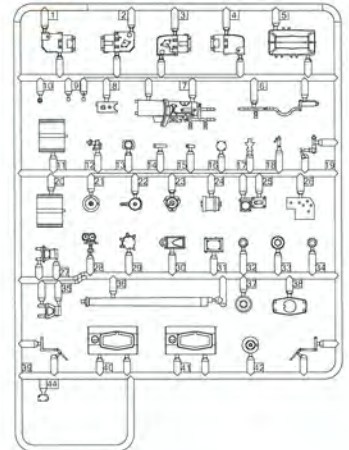
E x1



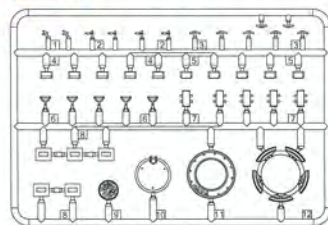
F x1



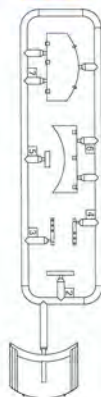
H x1



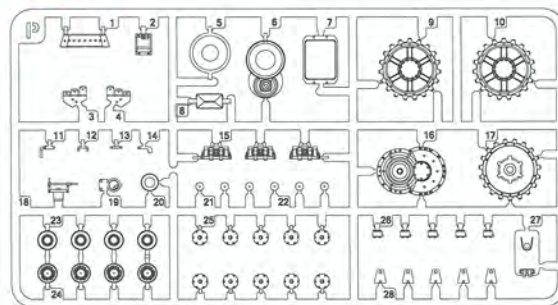
J1 x1



J4 x1

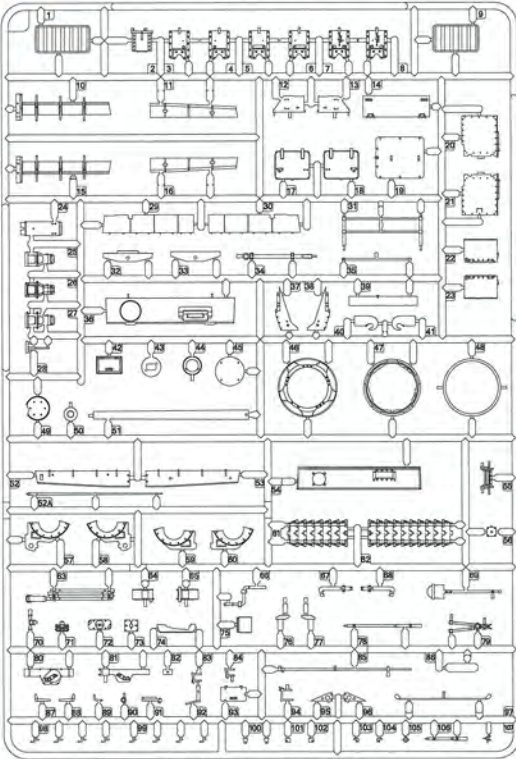


P x2

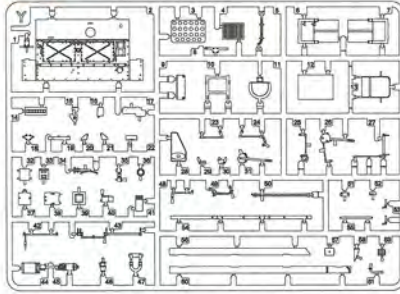


PARTS · 部品图

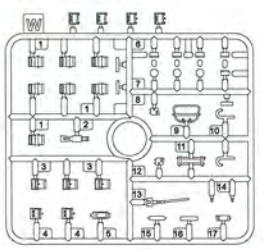
K x1



Y x1



W x1



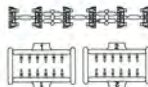
Decal



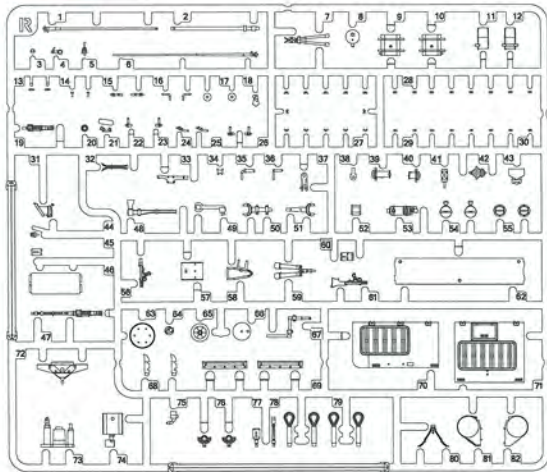
**3D printed part
3D打印件**



Tracks x 216



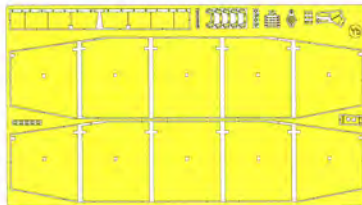
R x1



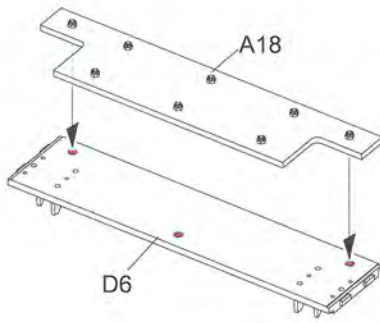
String x 1 300mm



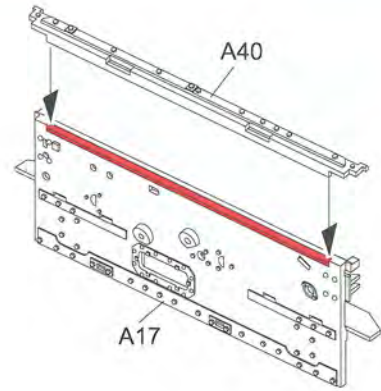
Yb x1



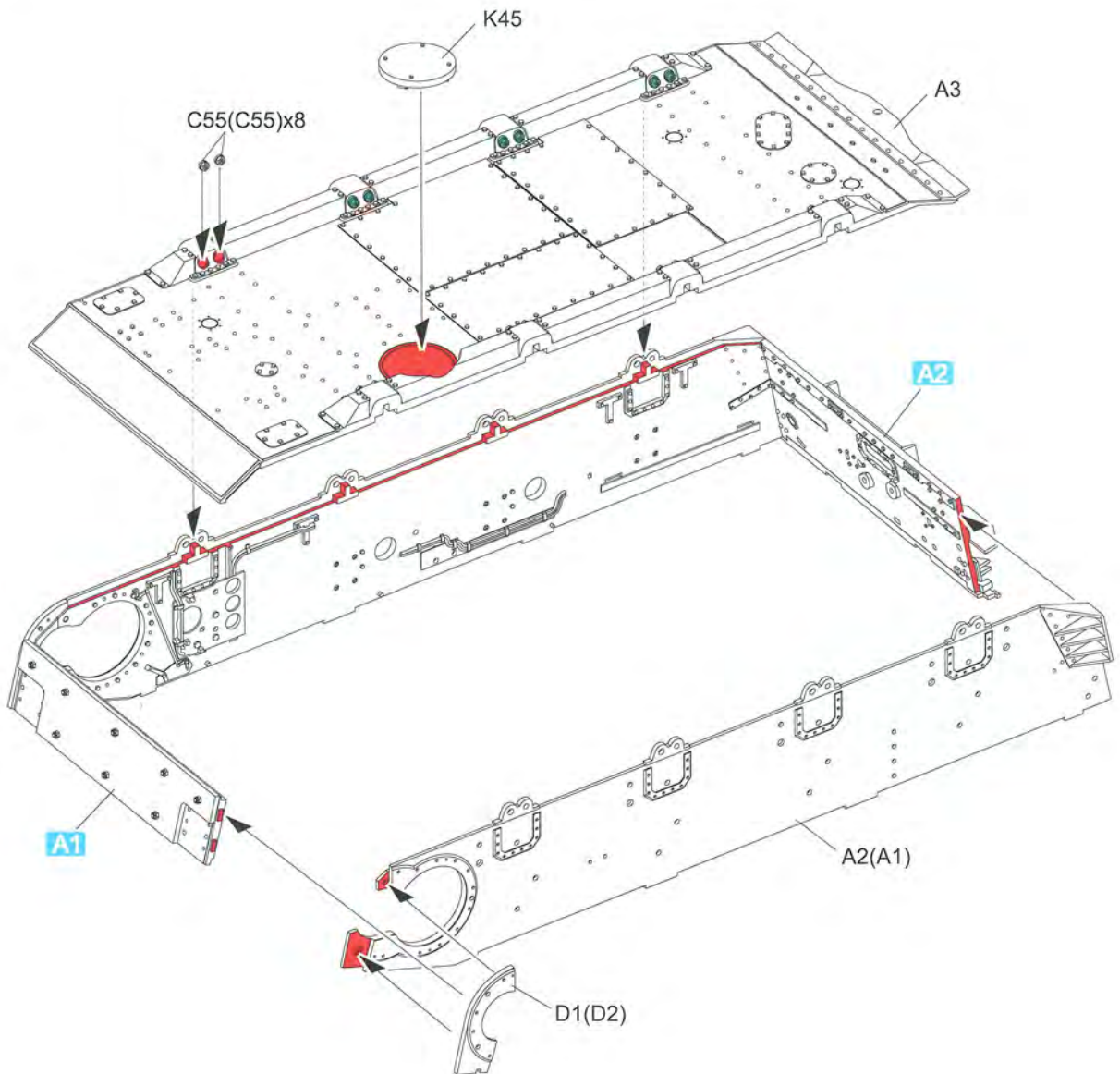
A1



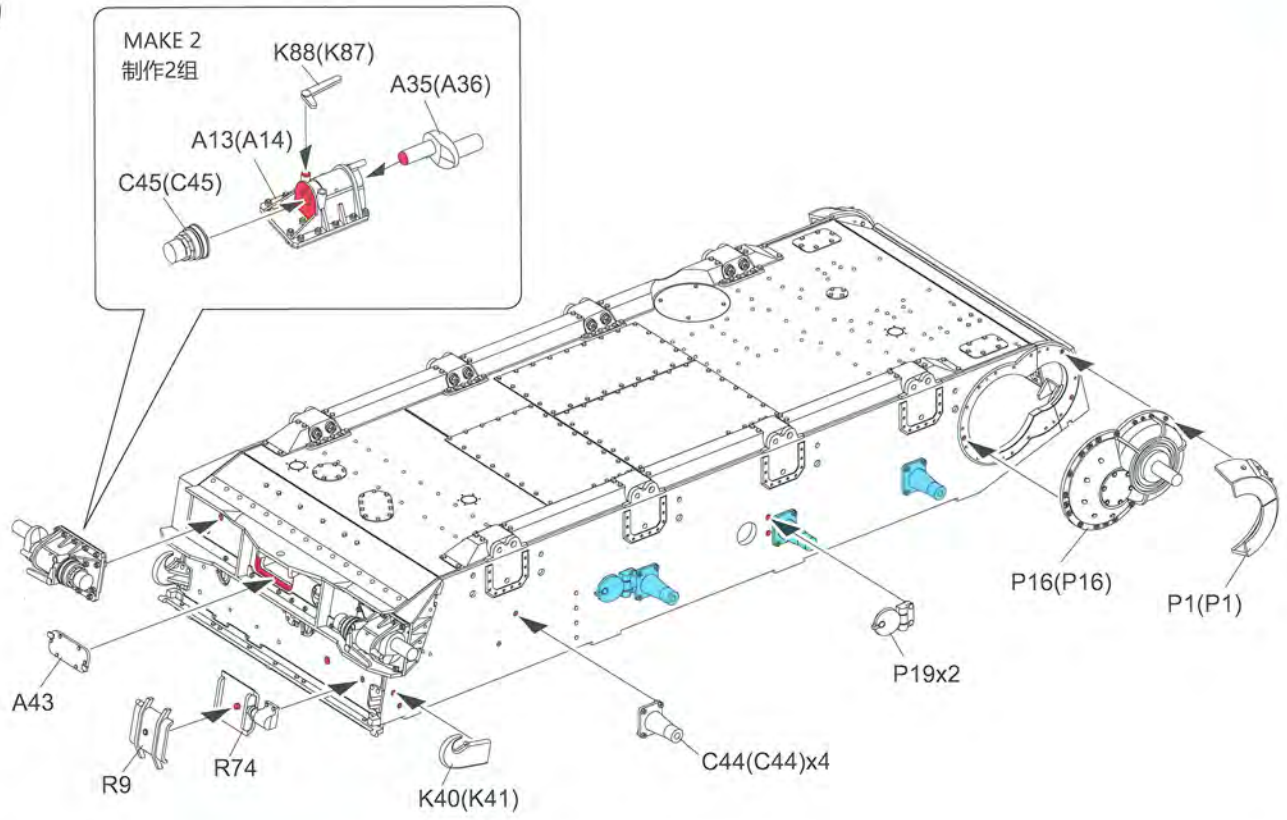
A2



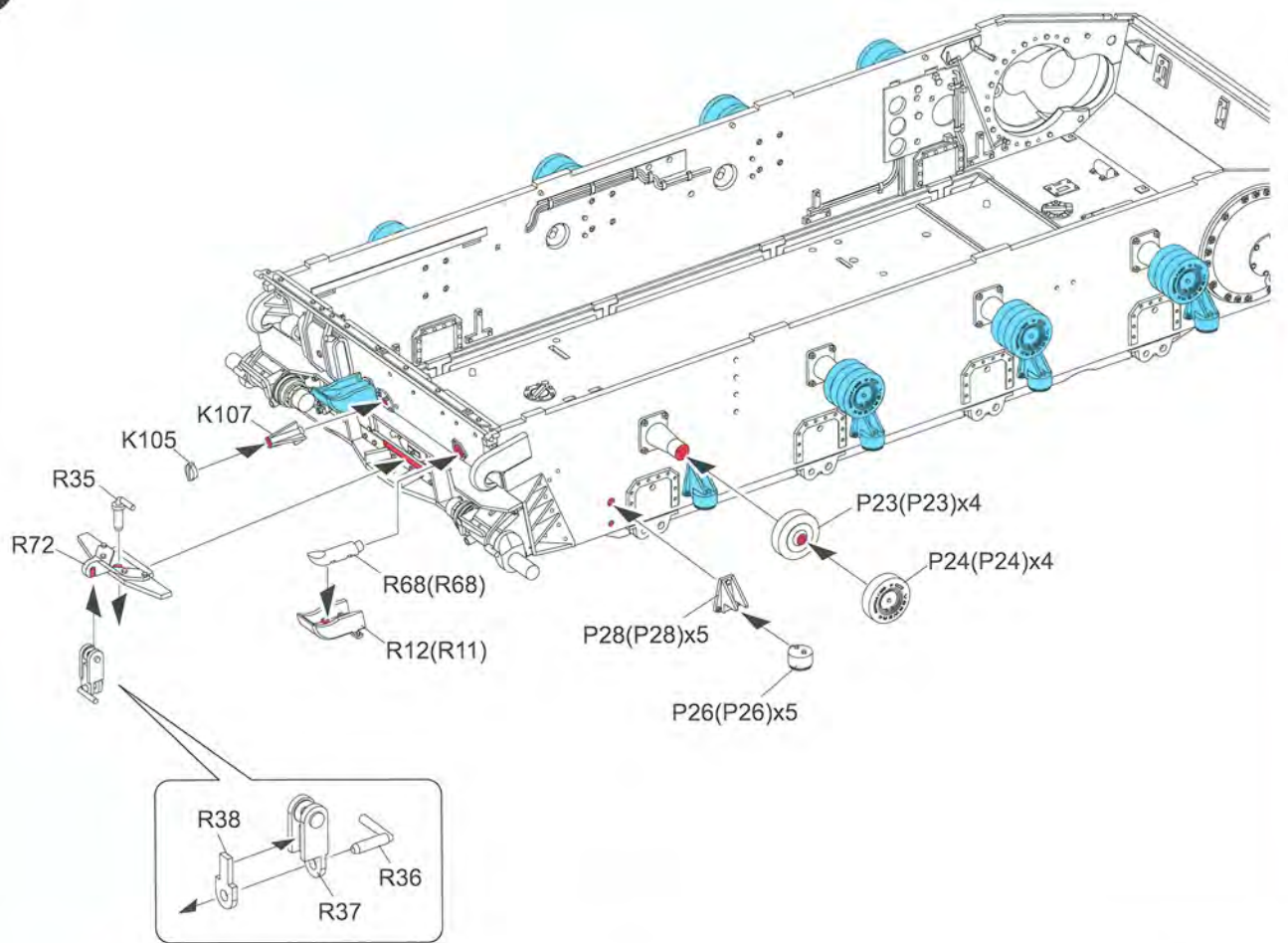
1



2

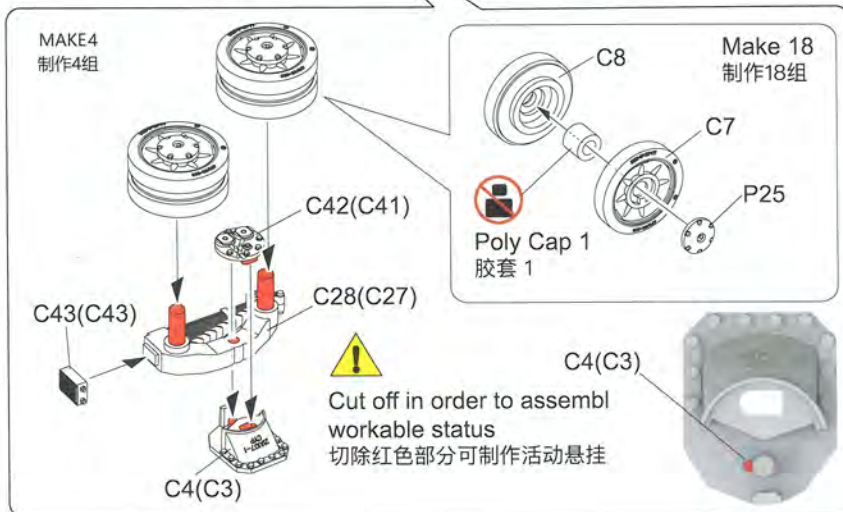
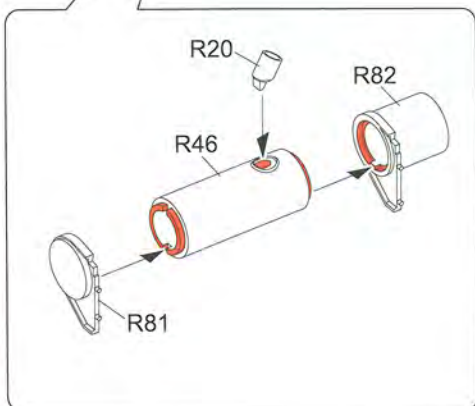
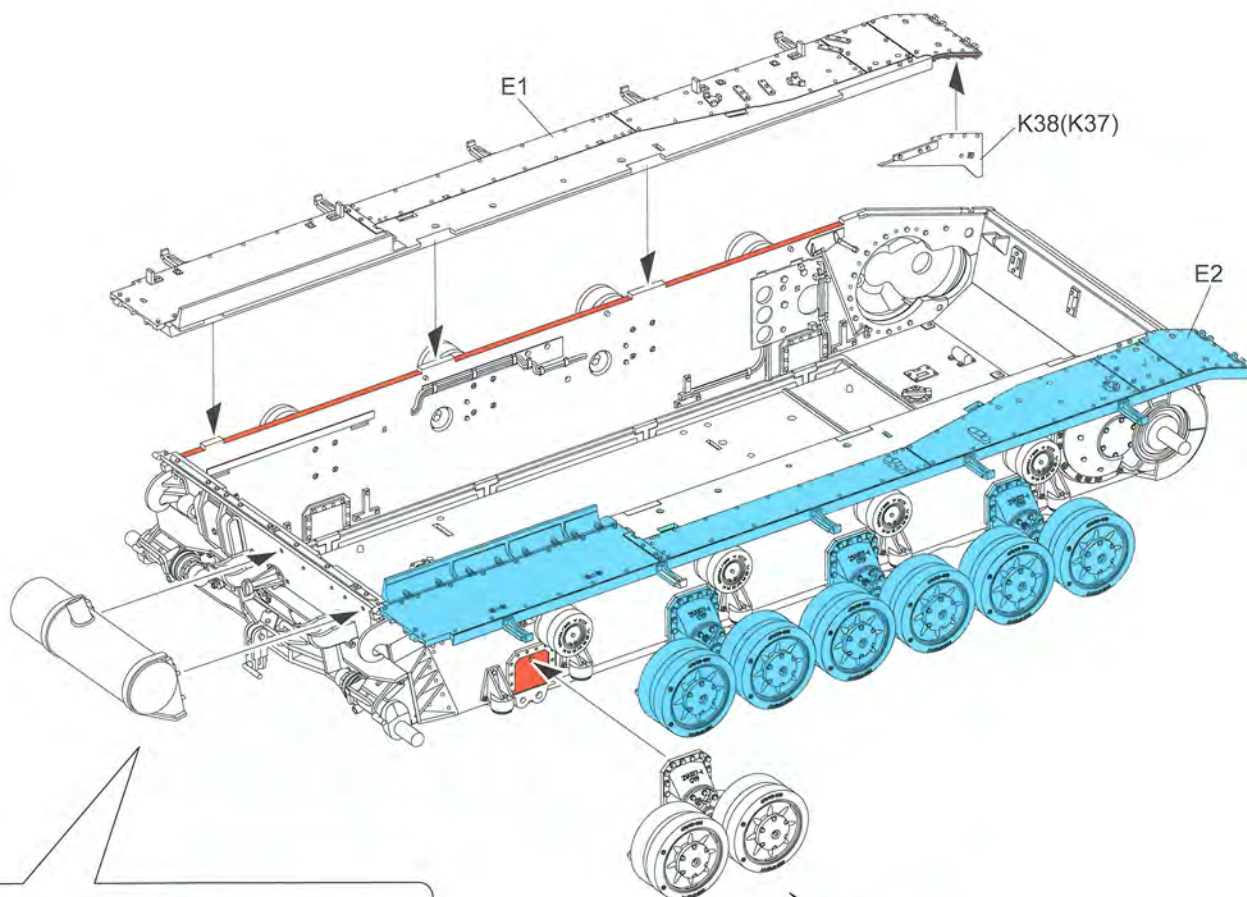
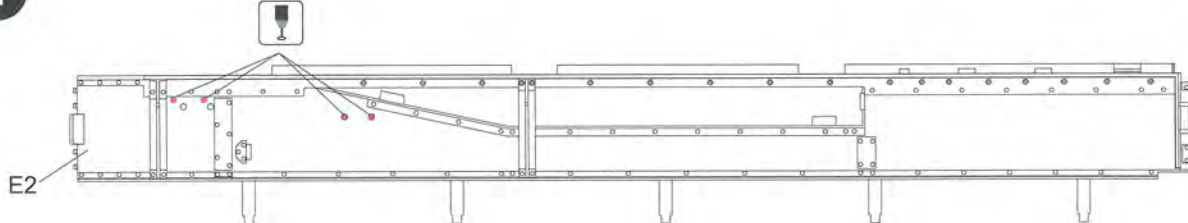


3

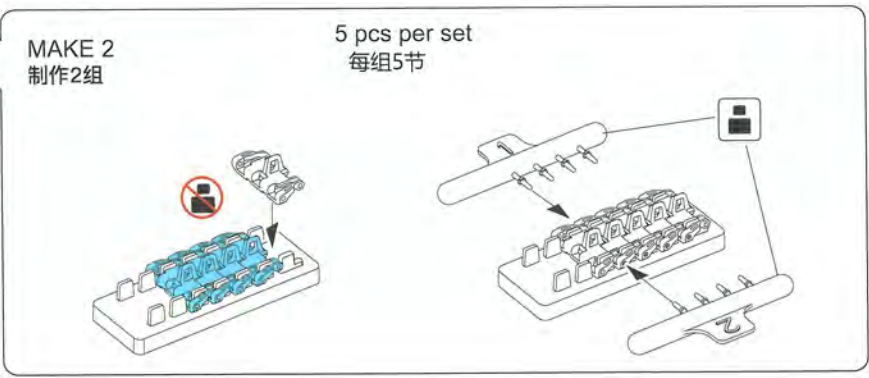
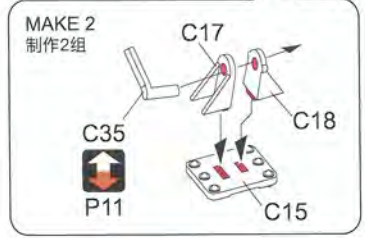
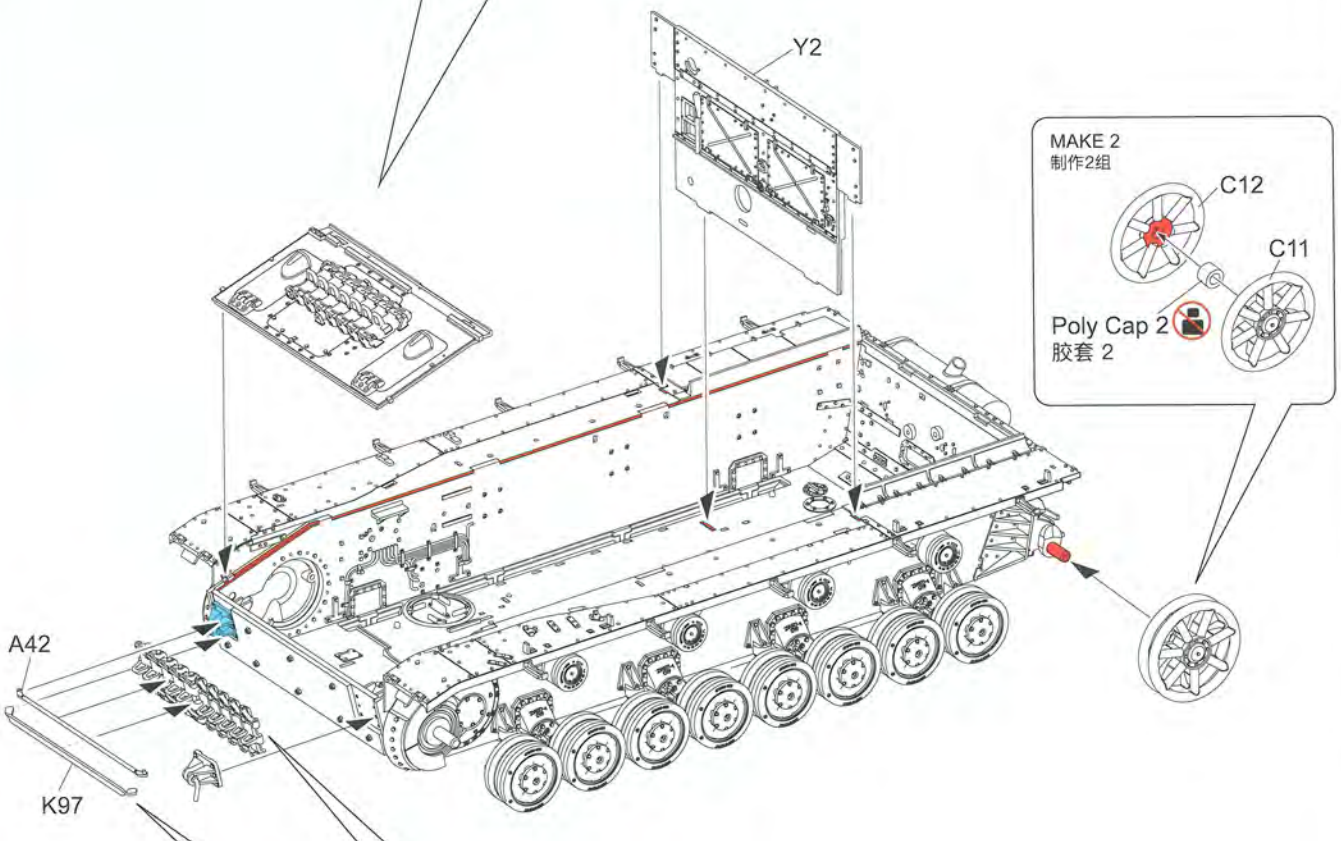
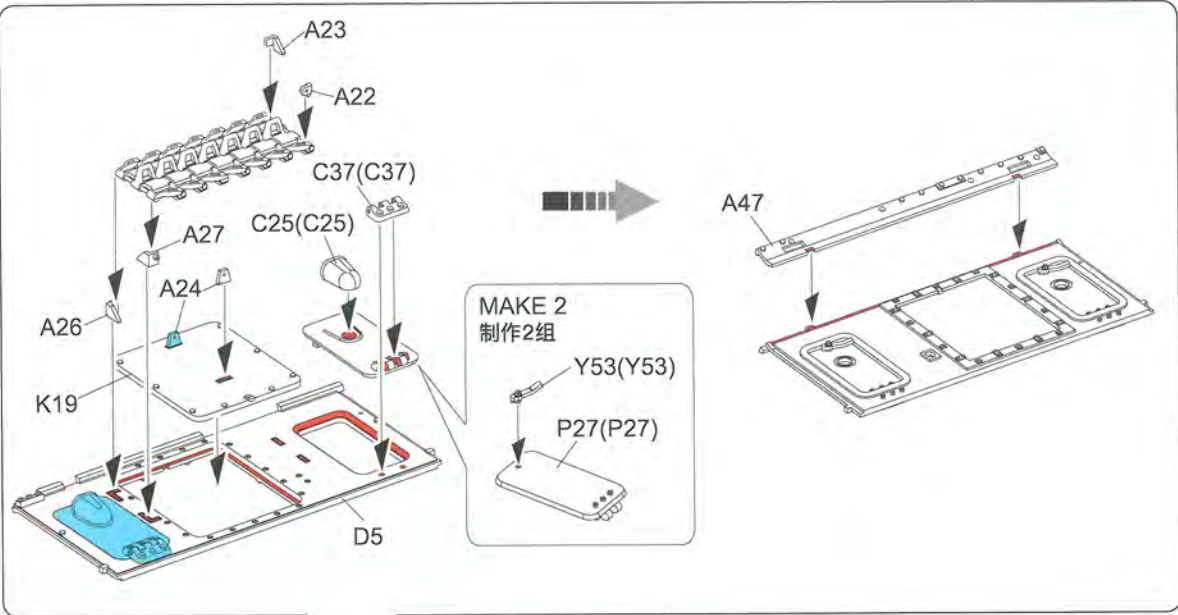


4

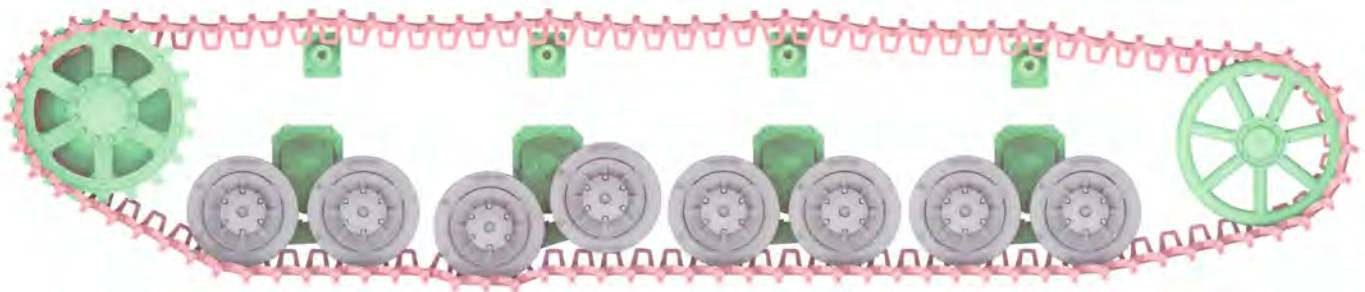
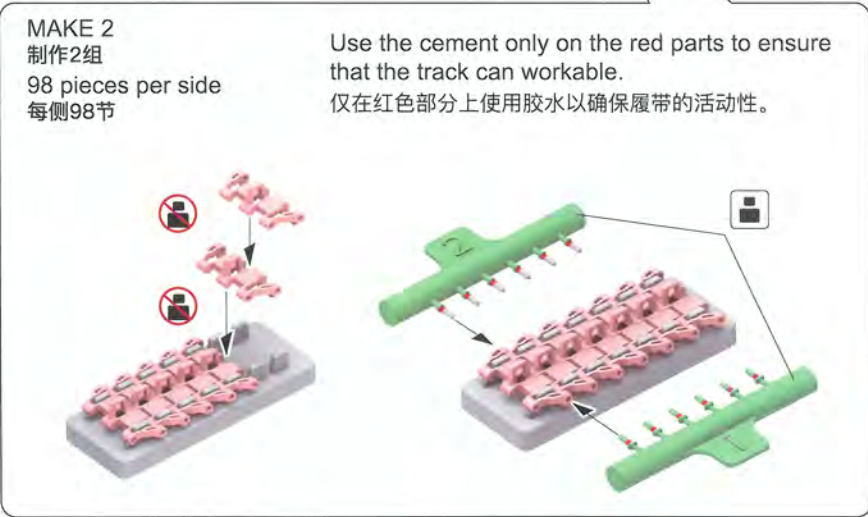
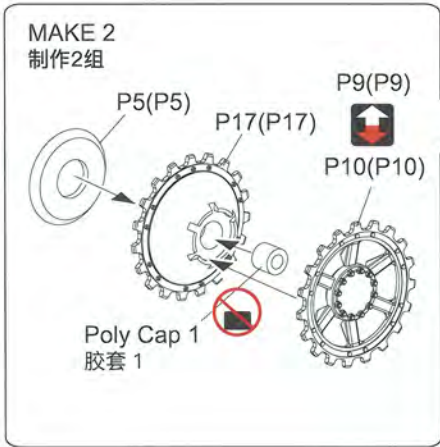
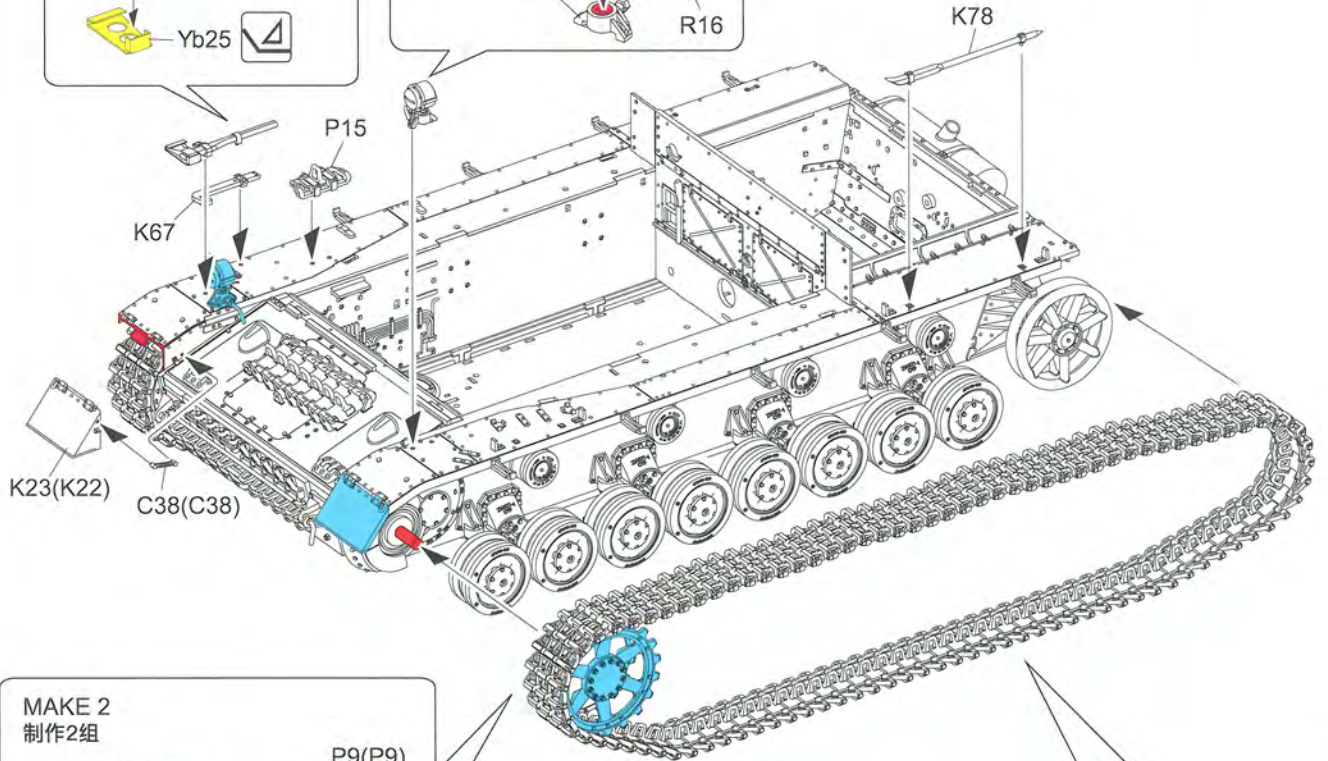
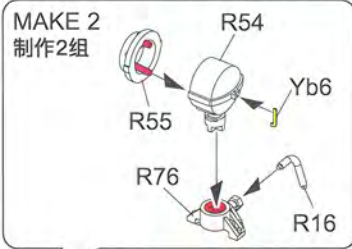
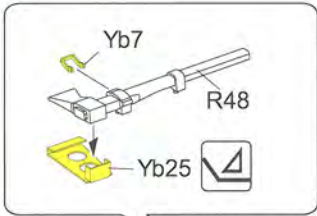
0.8mm



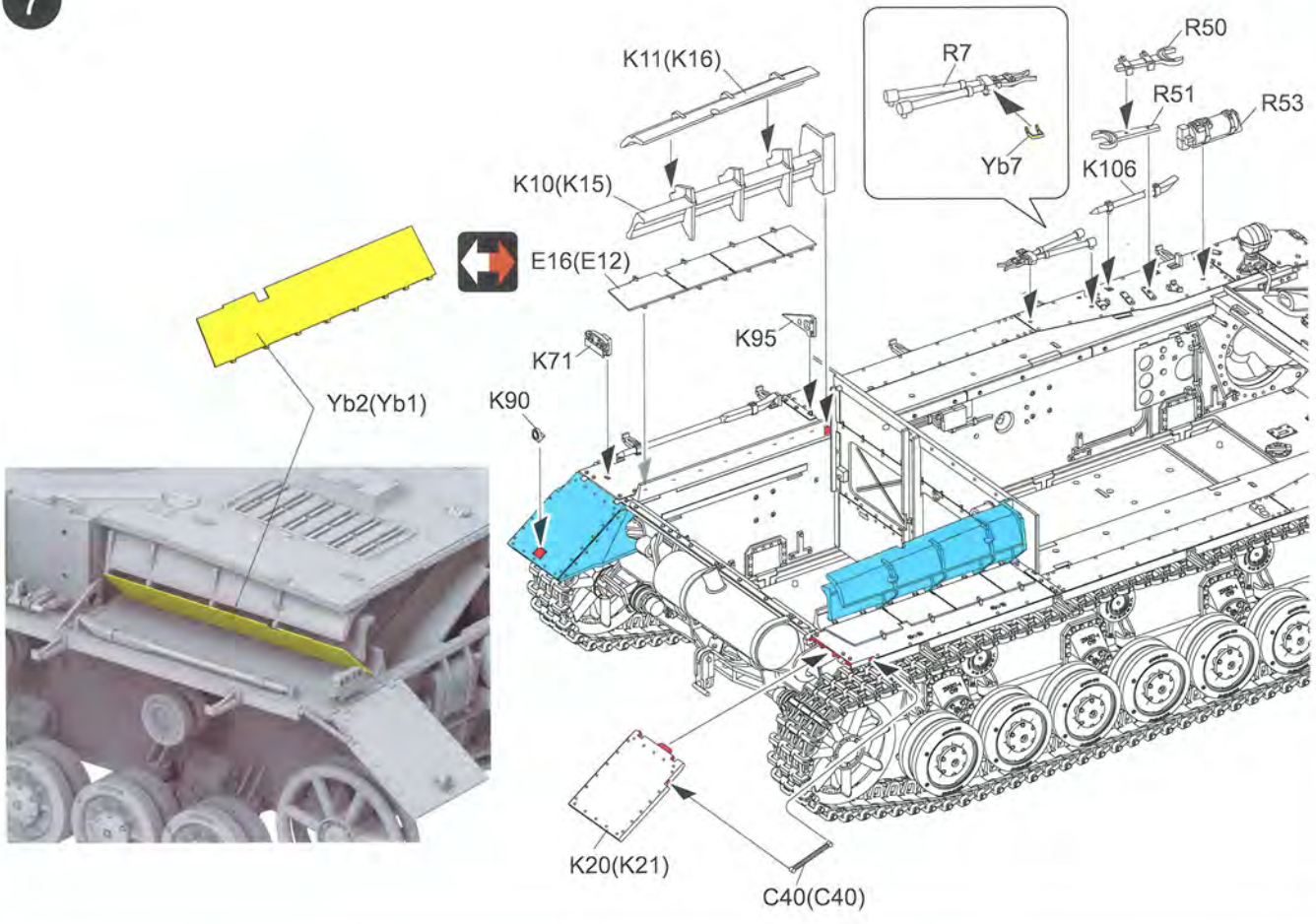
5



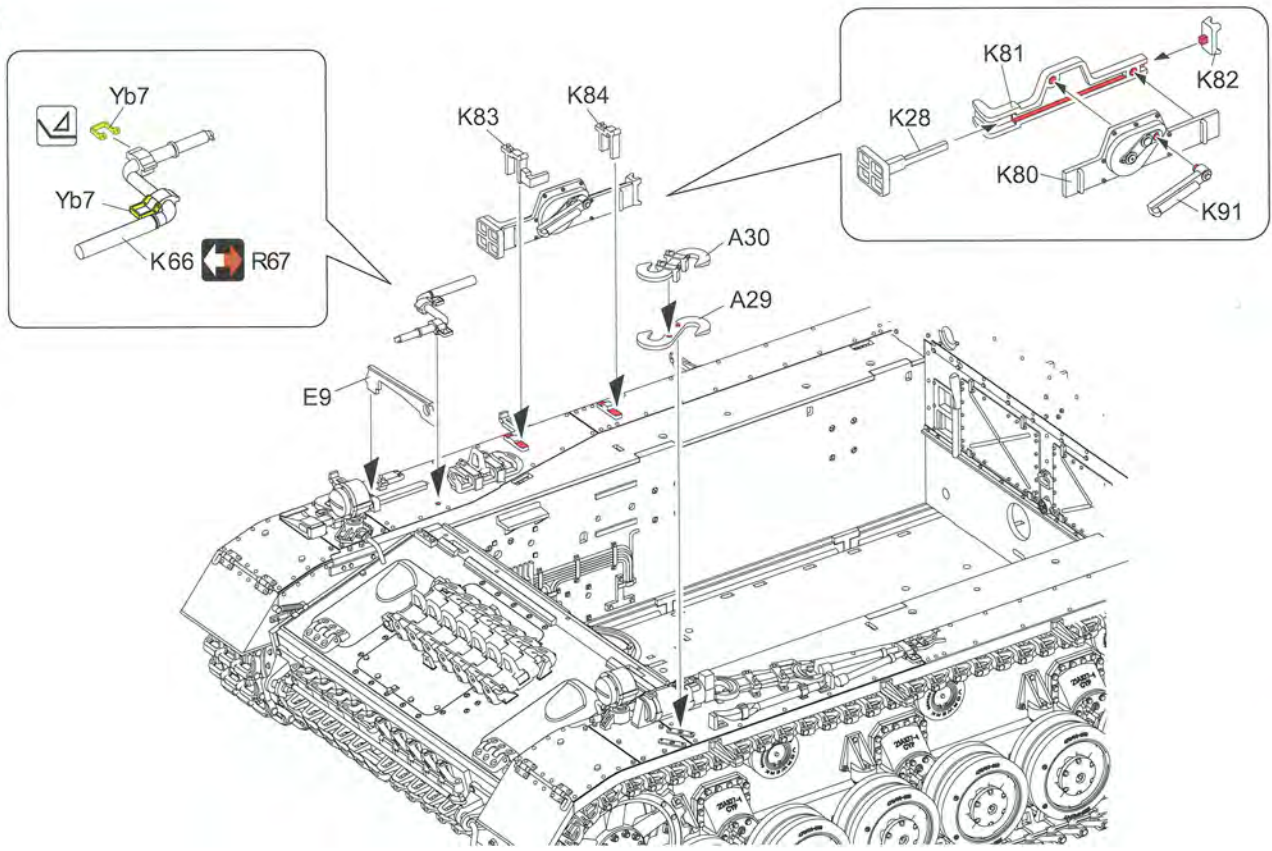
6



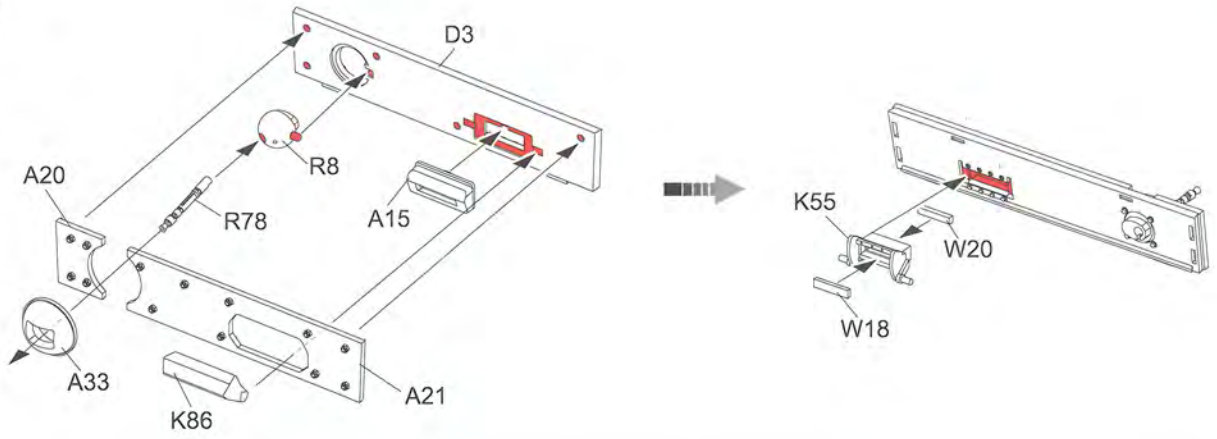
7



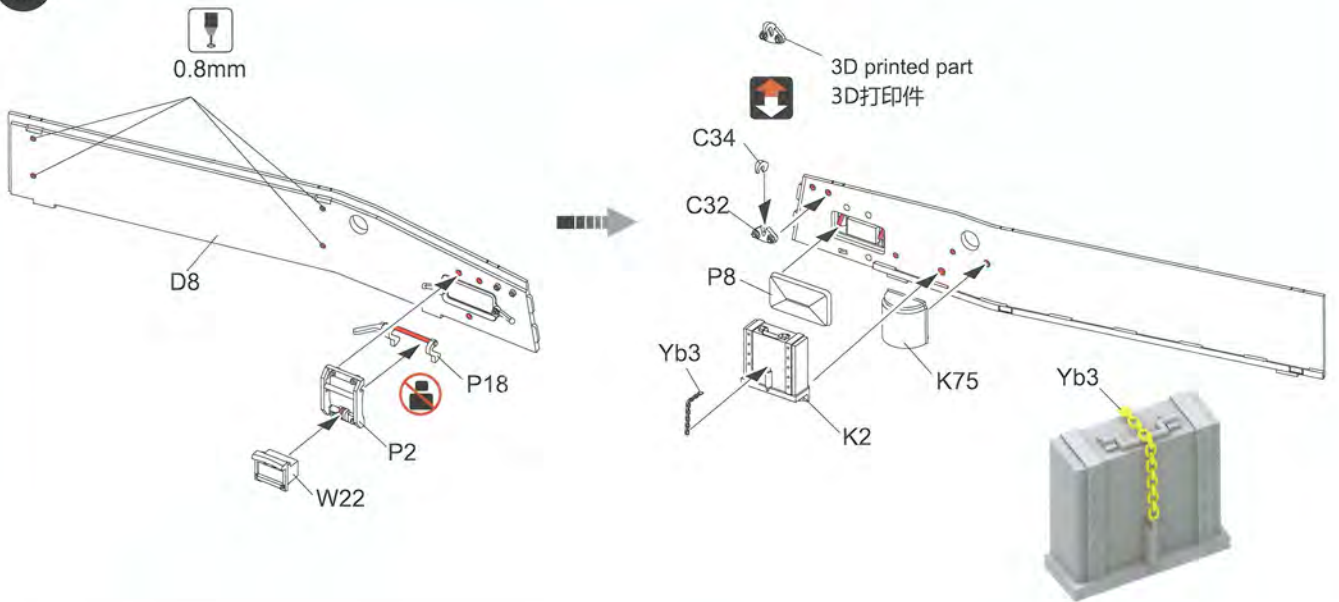
8



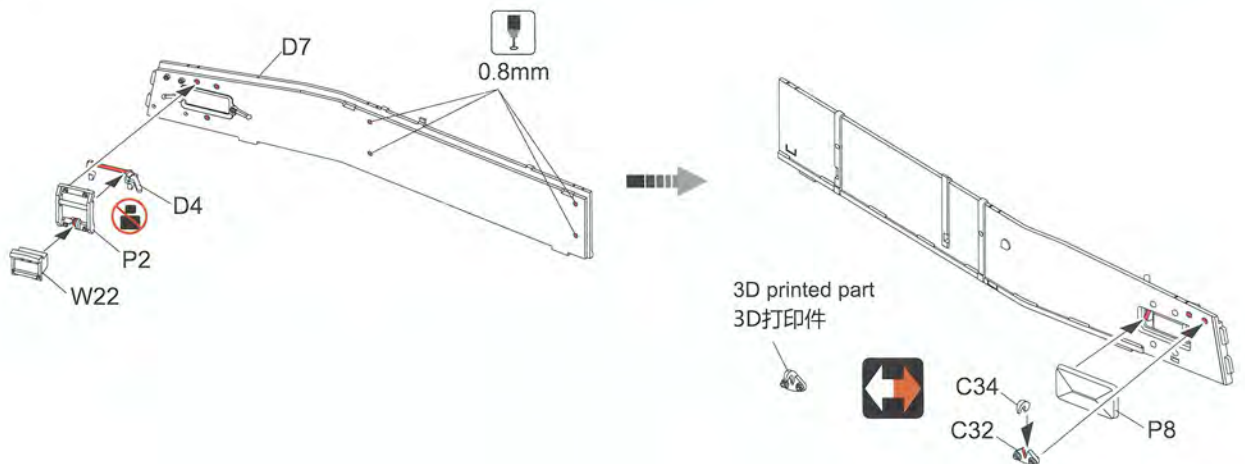
9



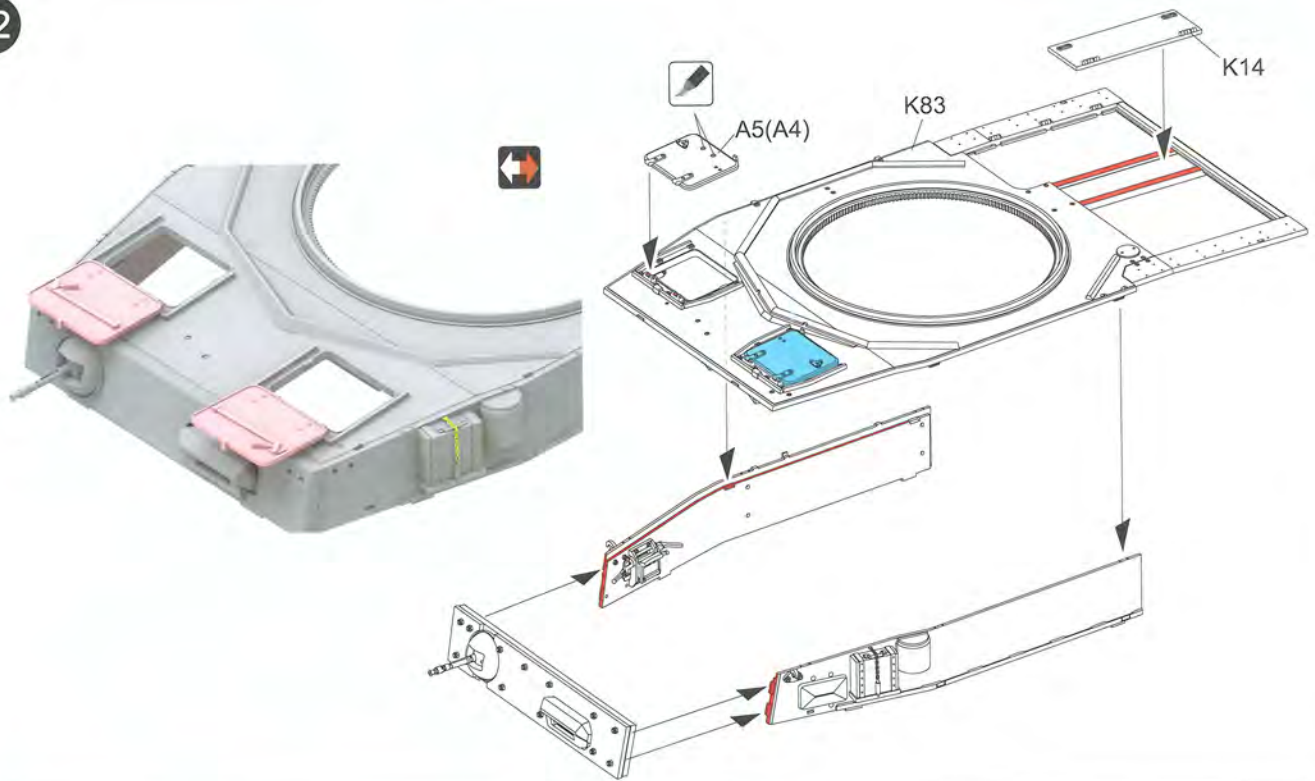
10



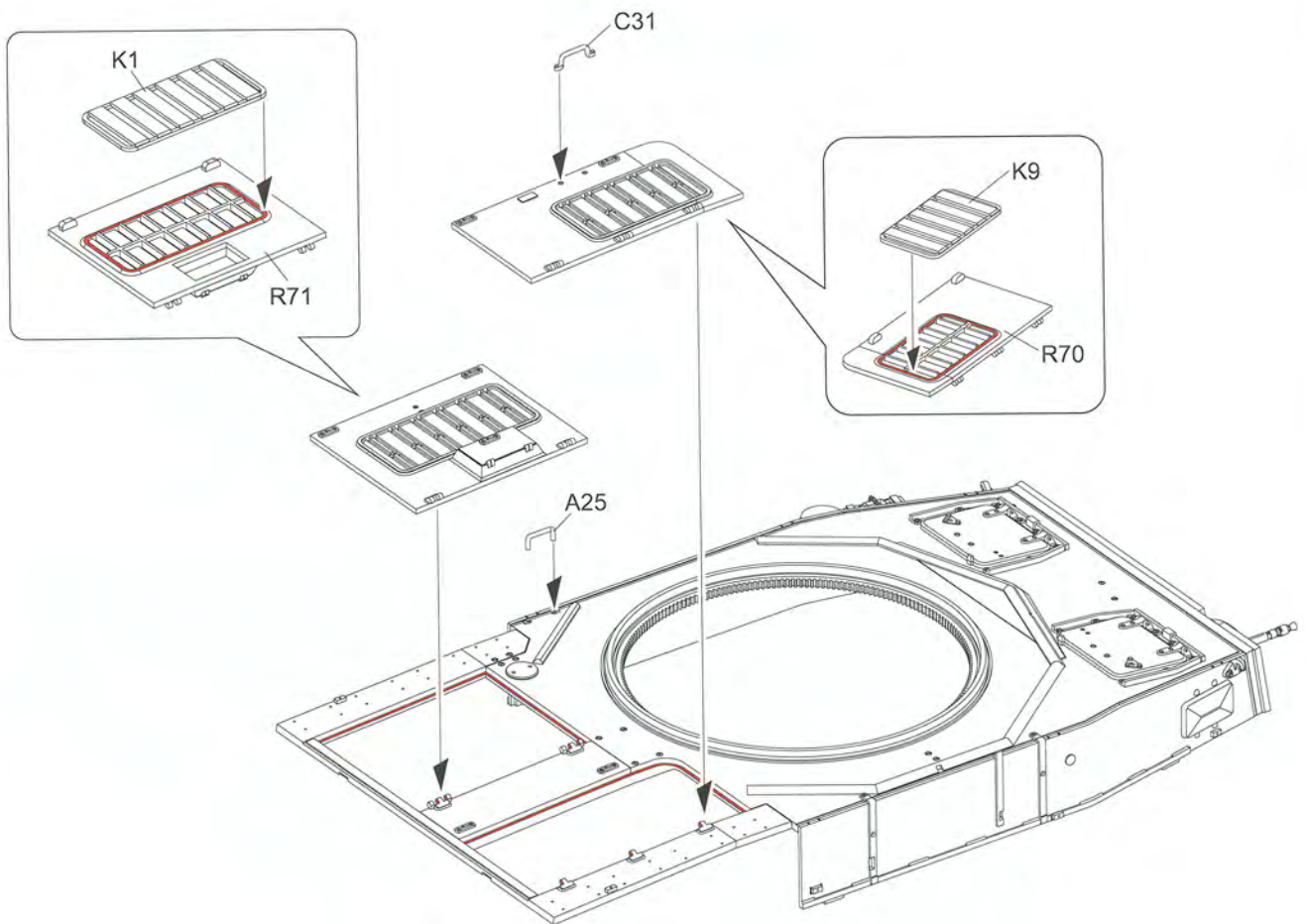
11



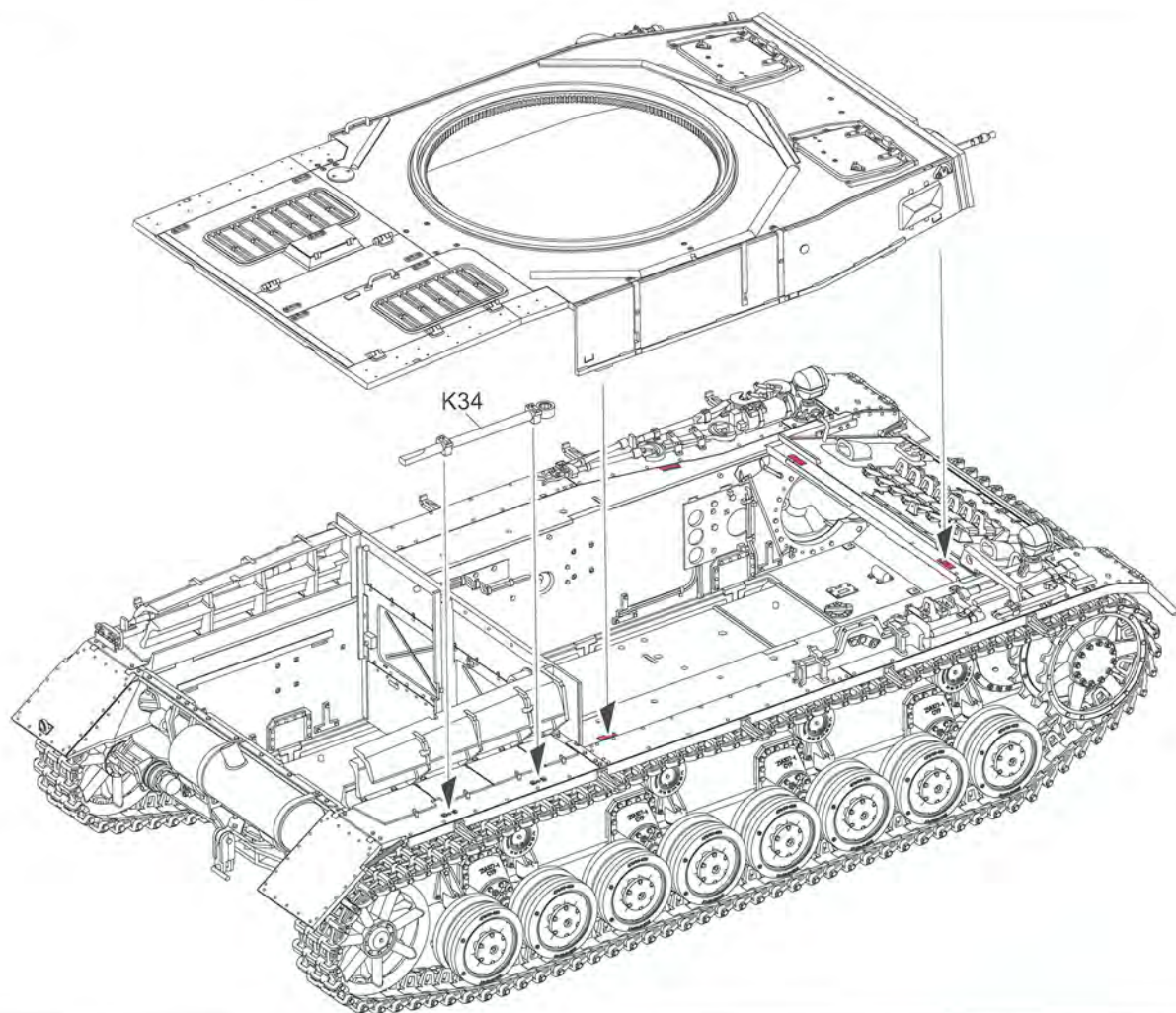
12



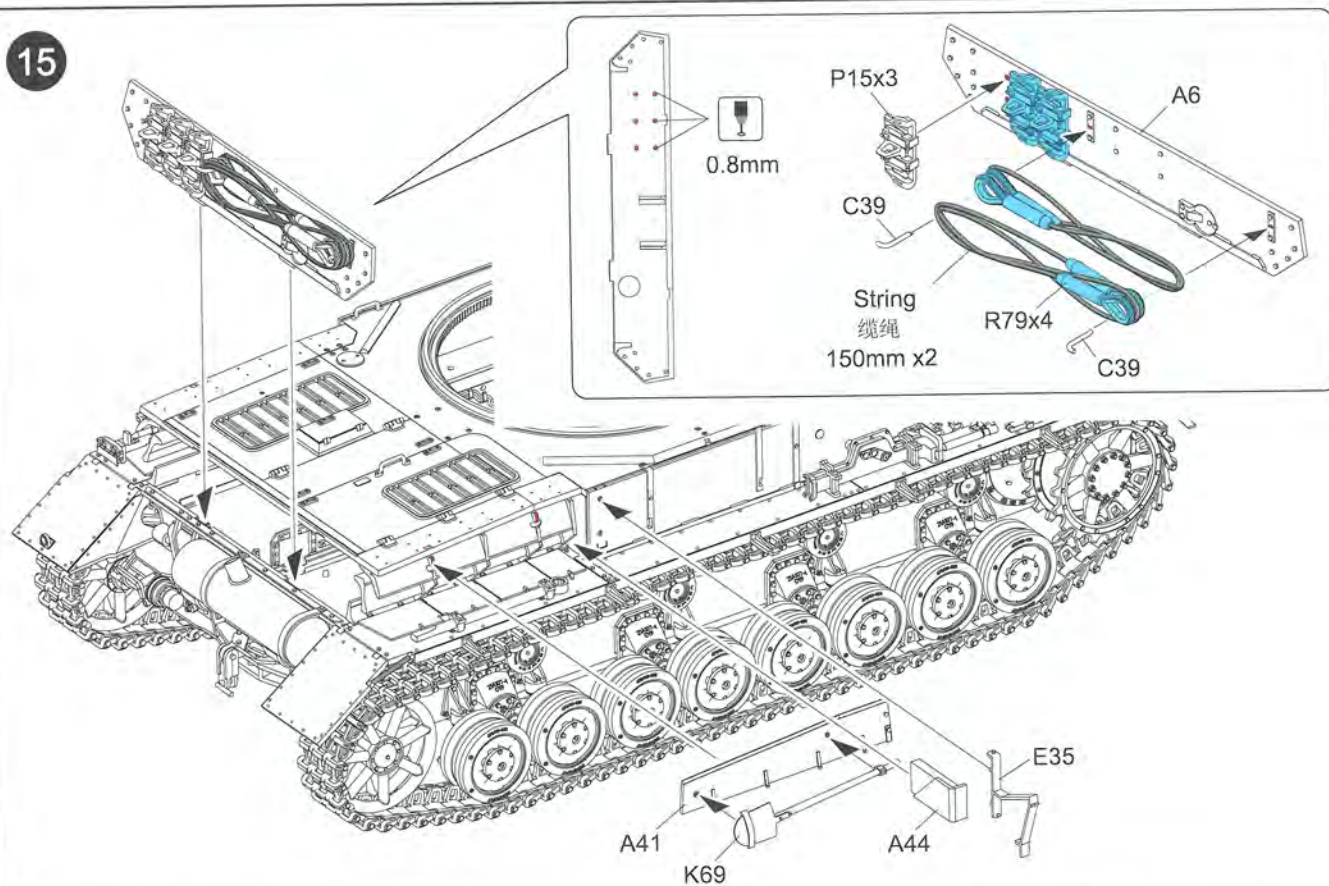
13



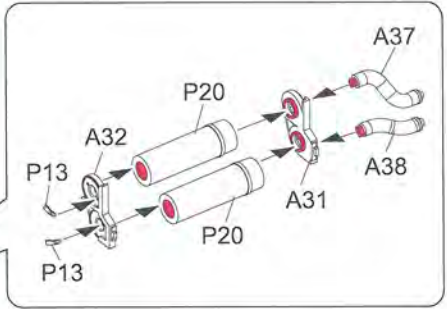
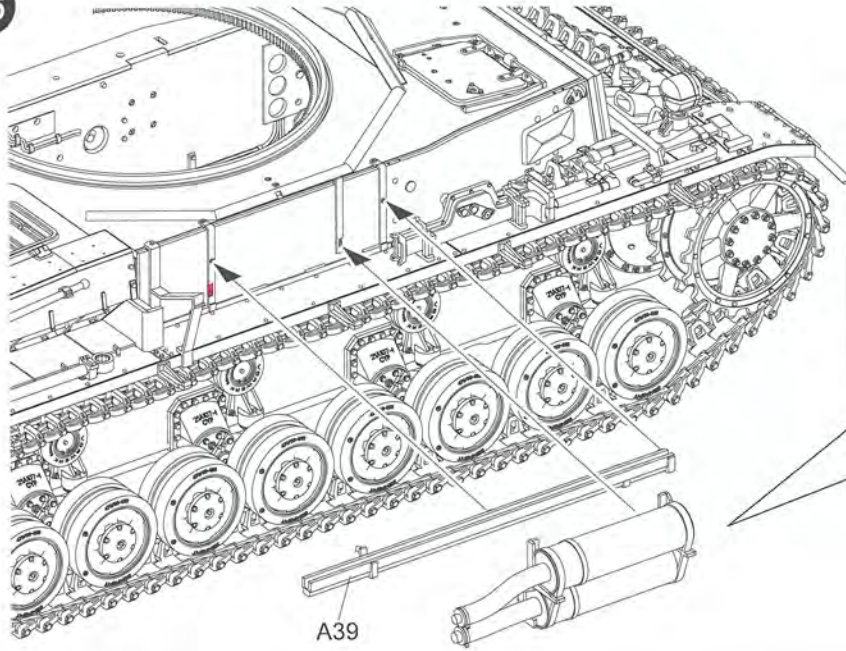
14



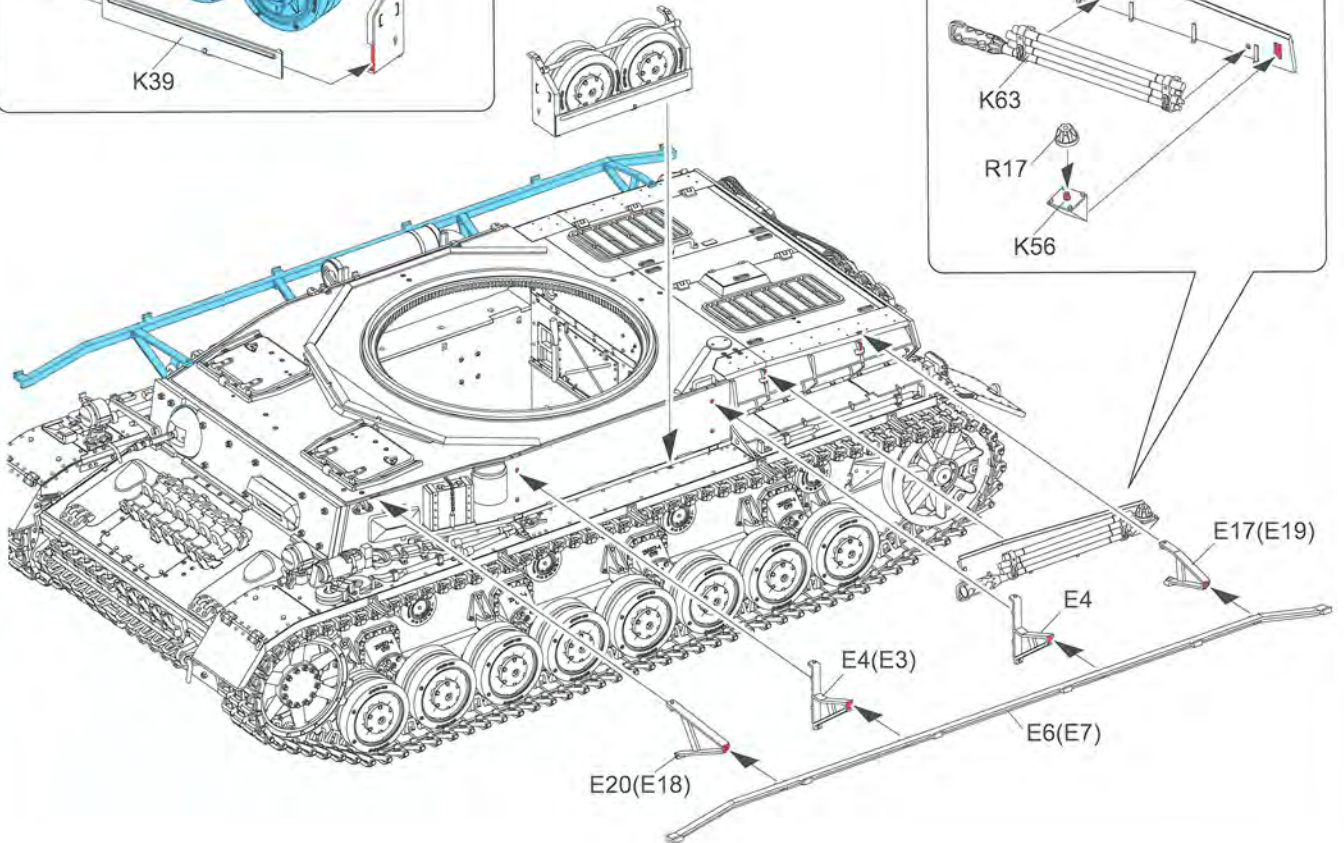
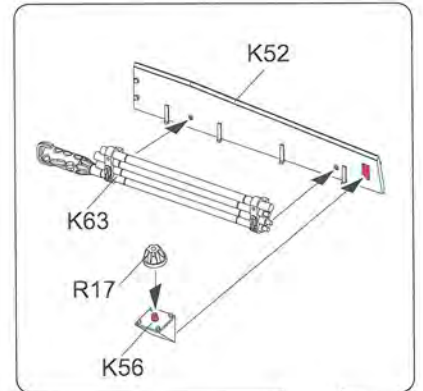
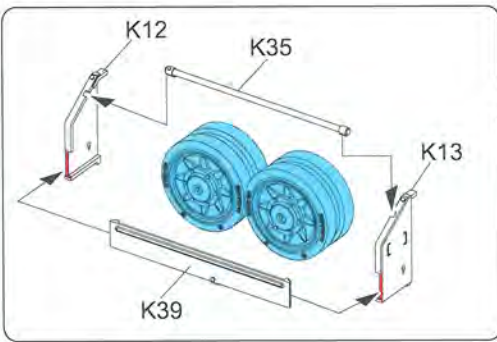
15



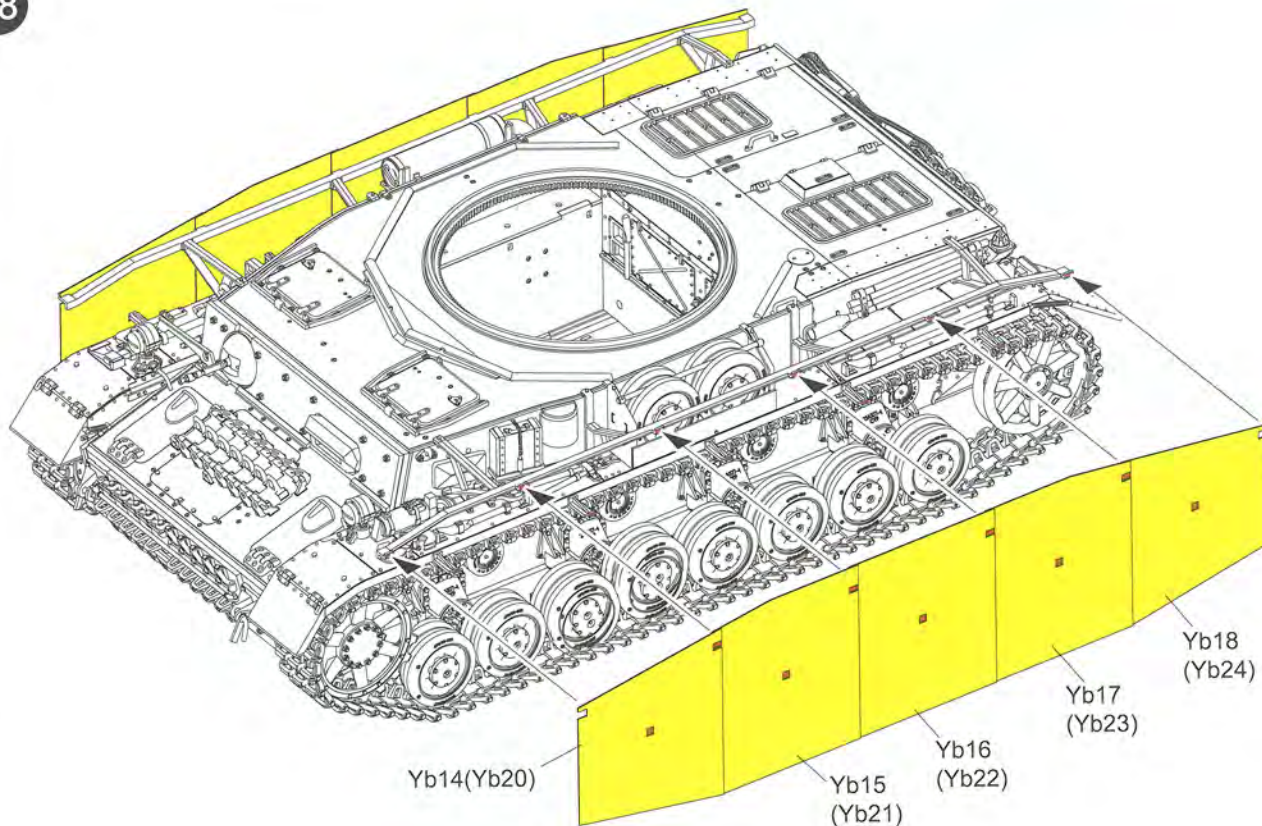
16



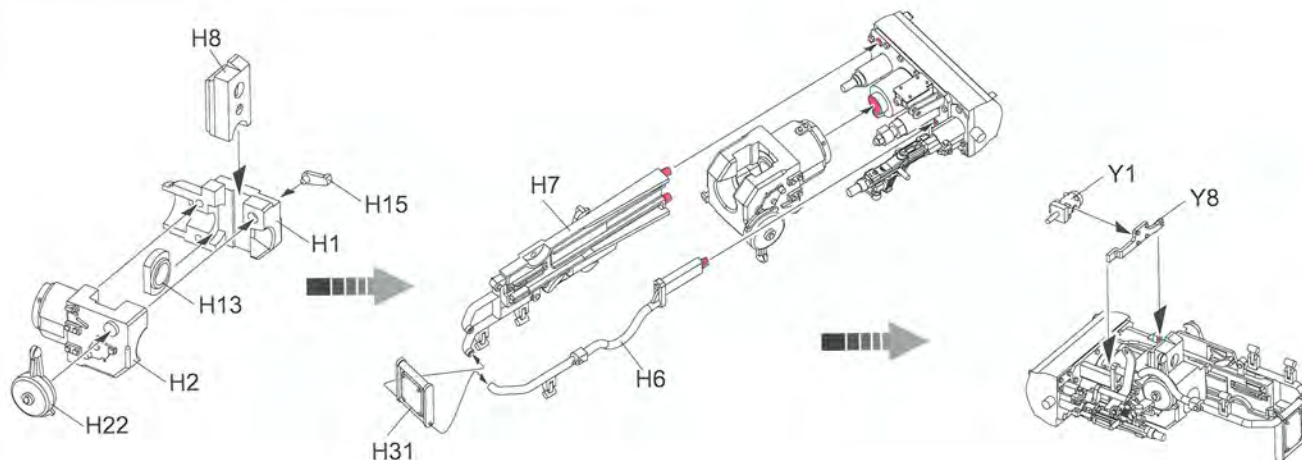
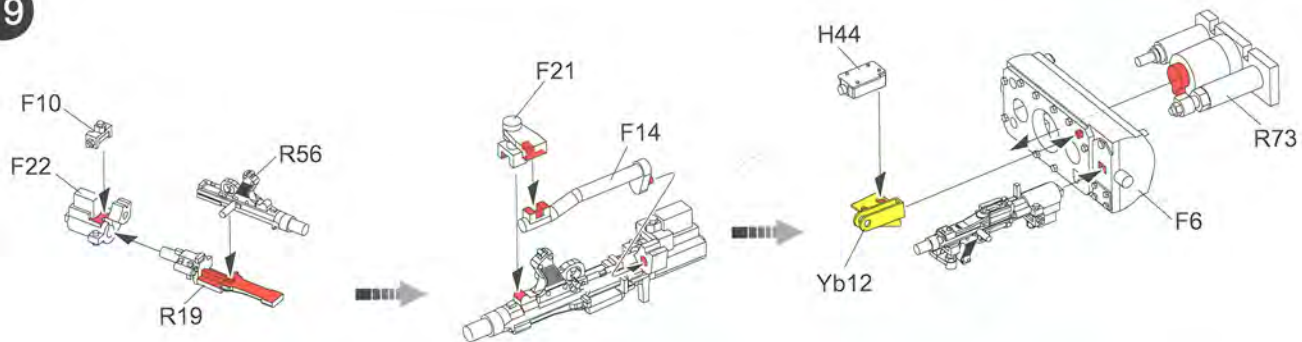
17



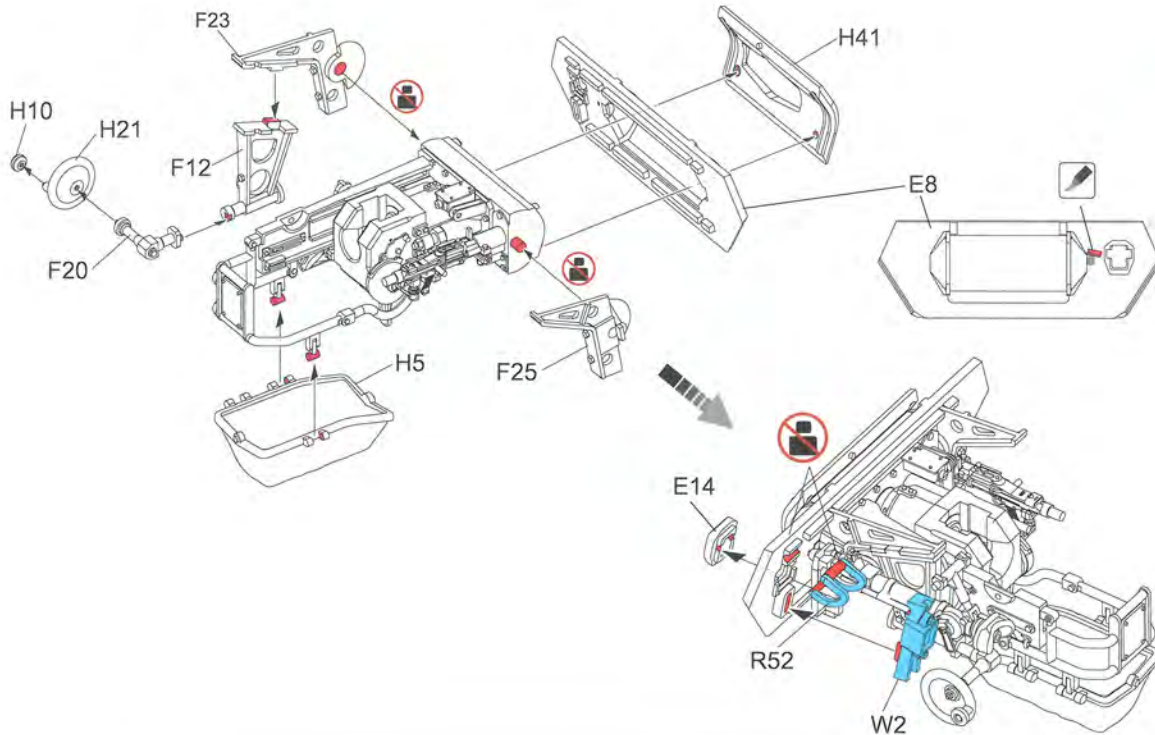
18



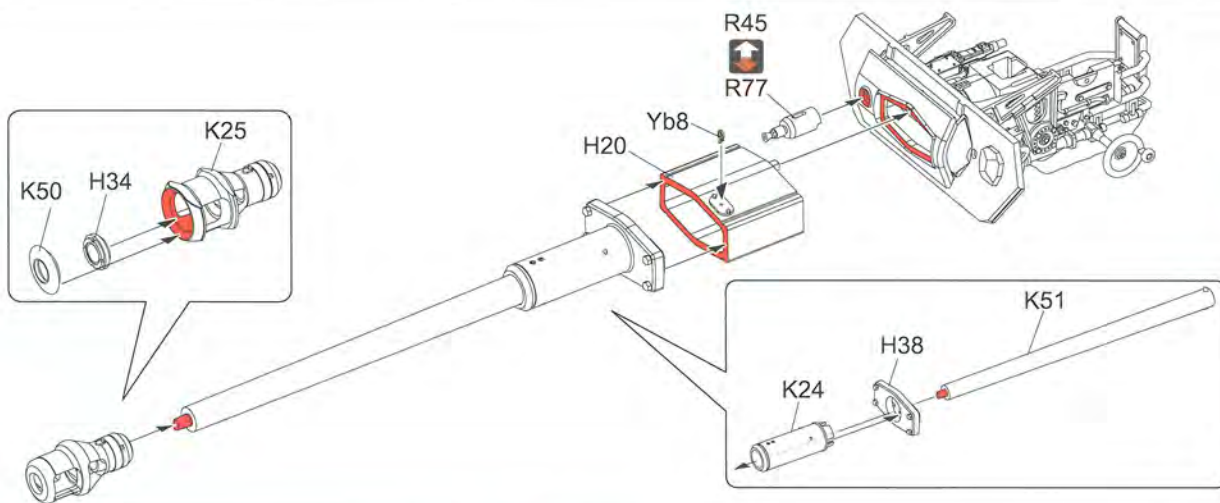
19



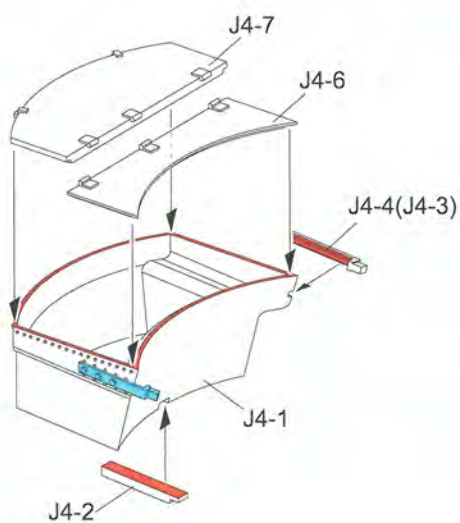
20



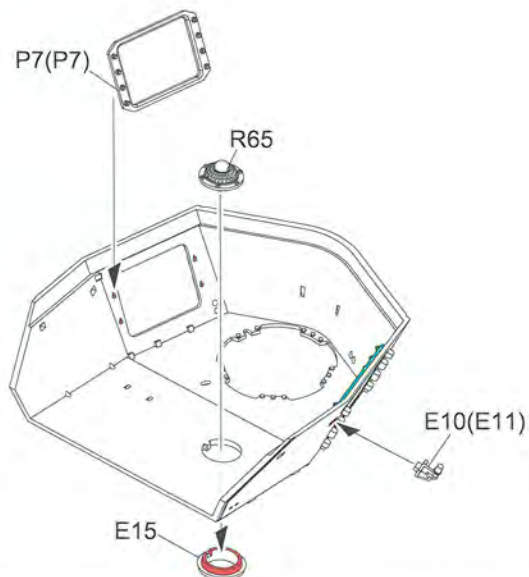
21



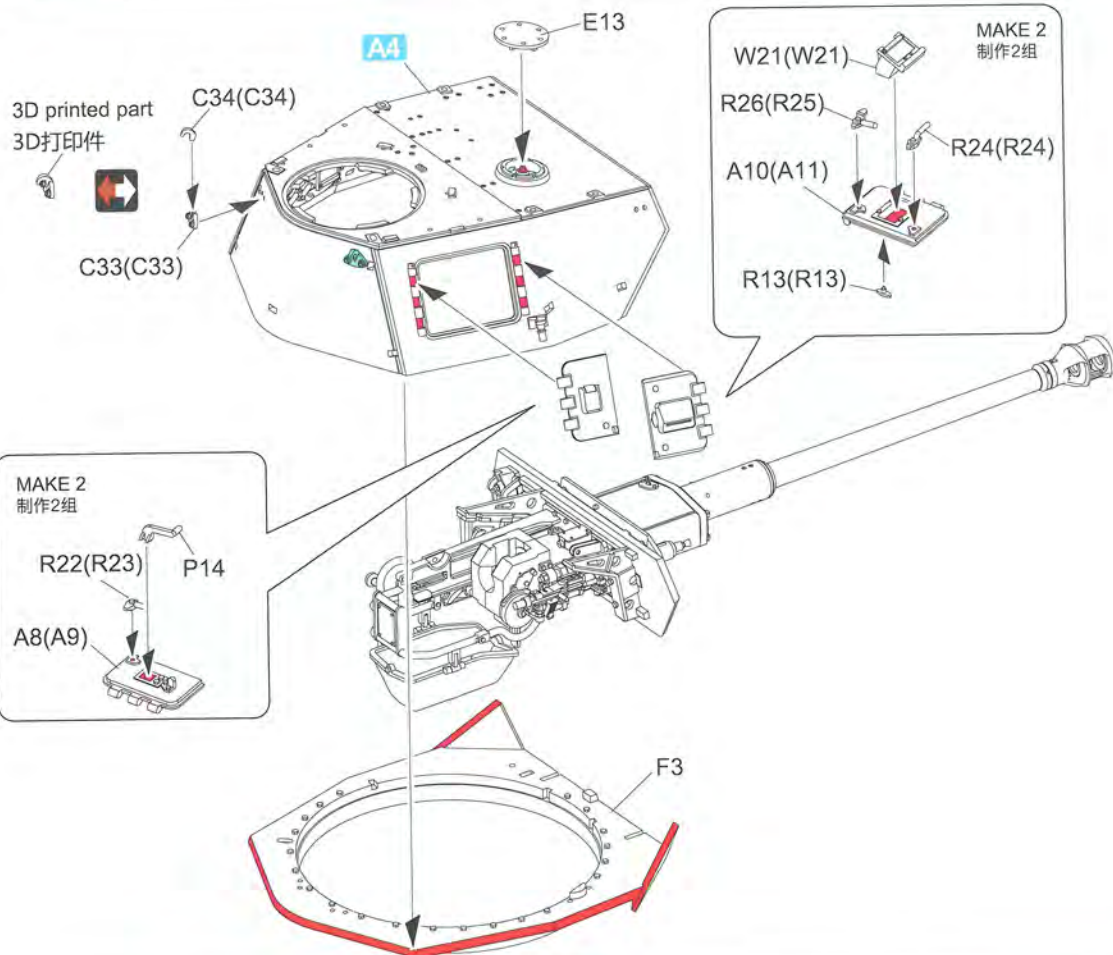
A3



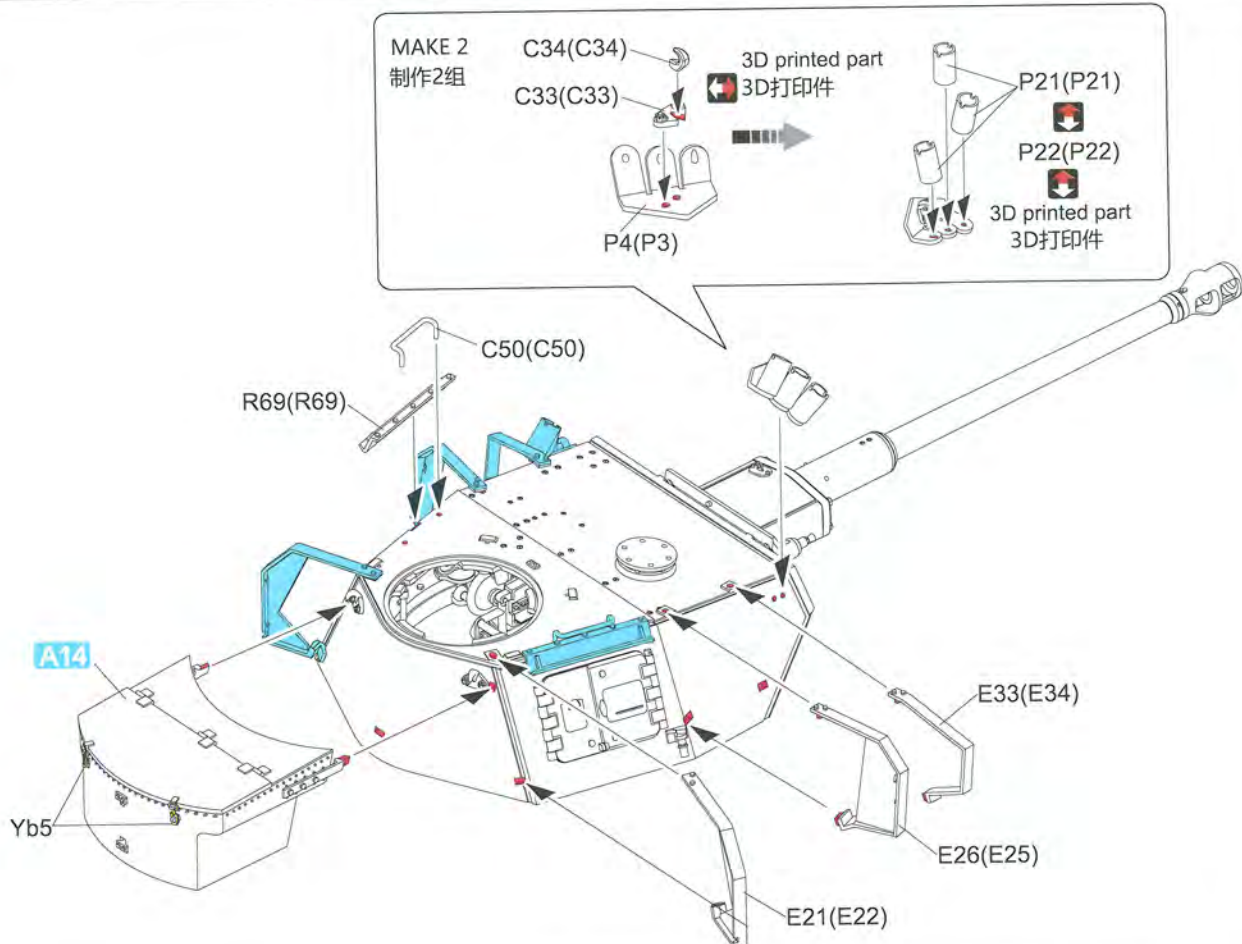
A4



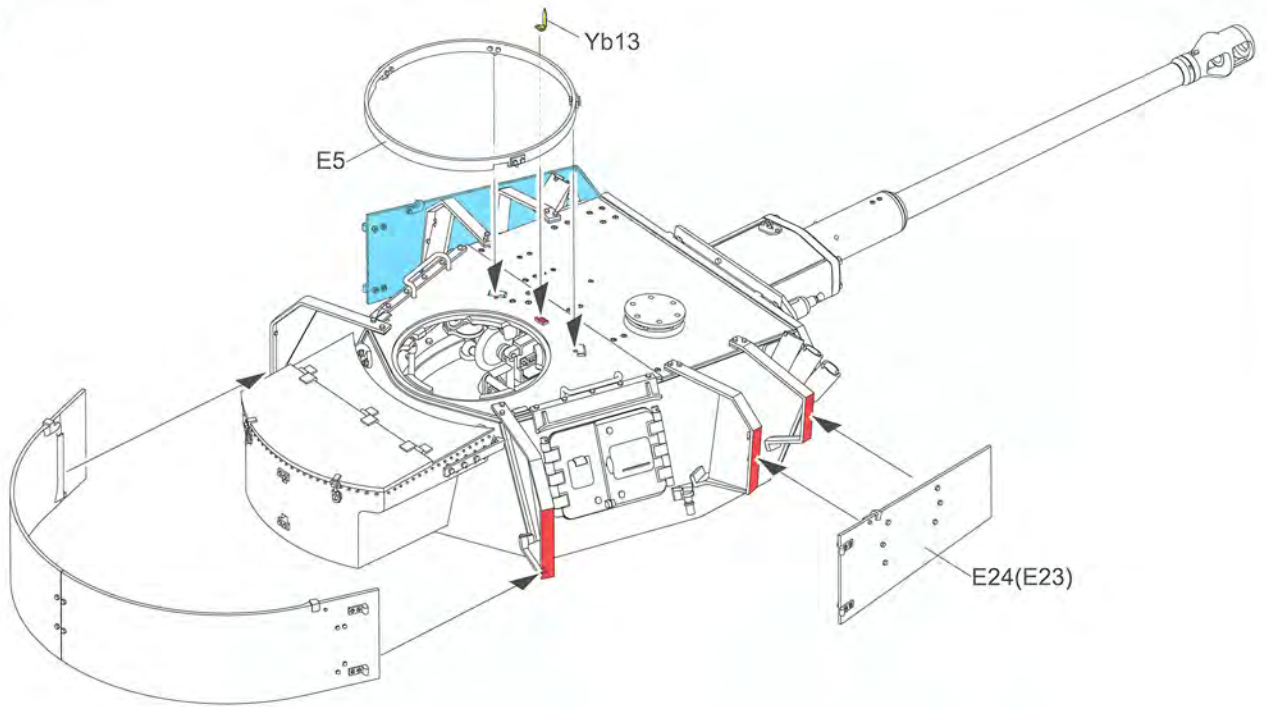
22



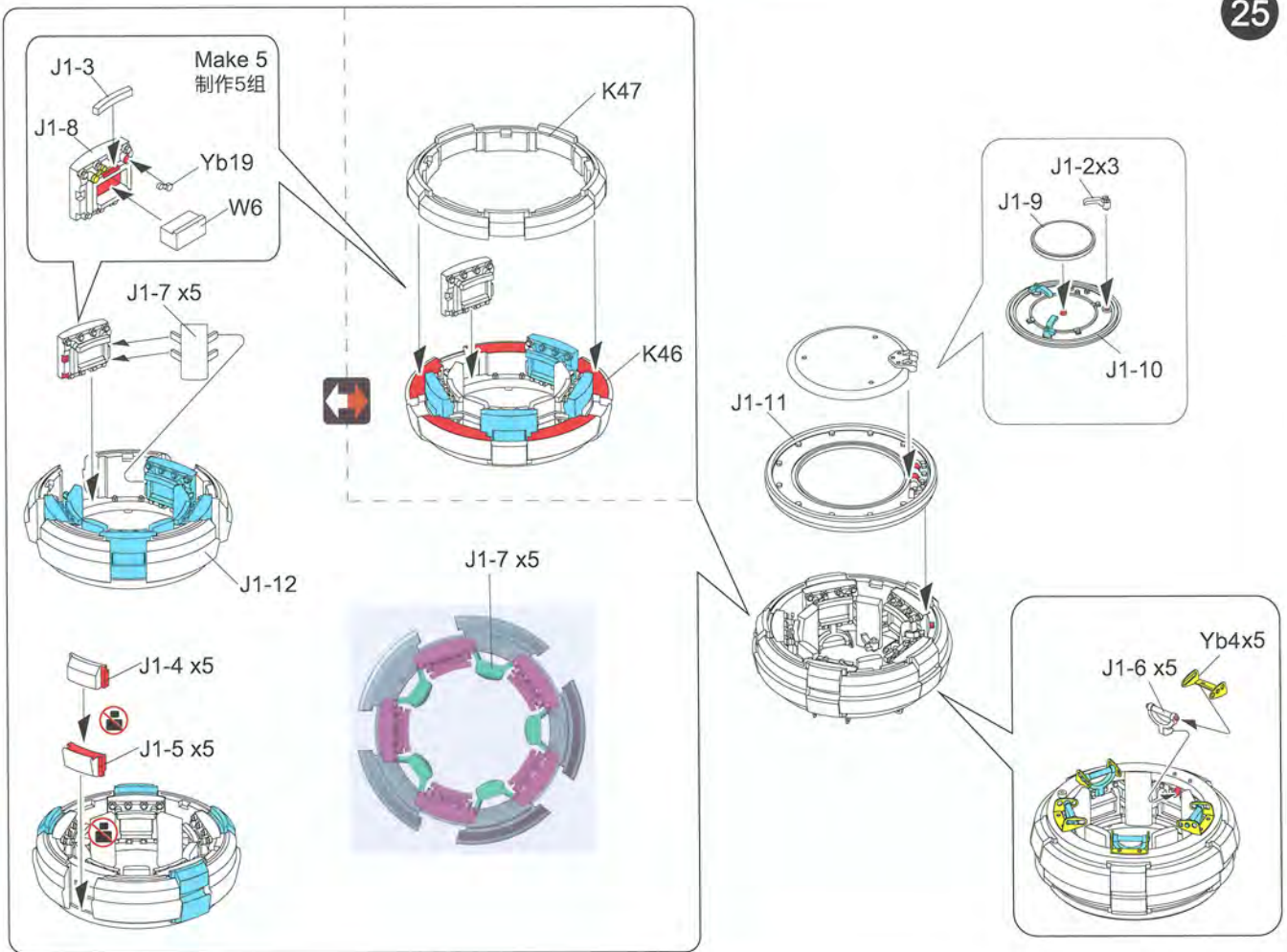
23



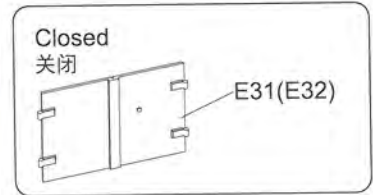
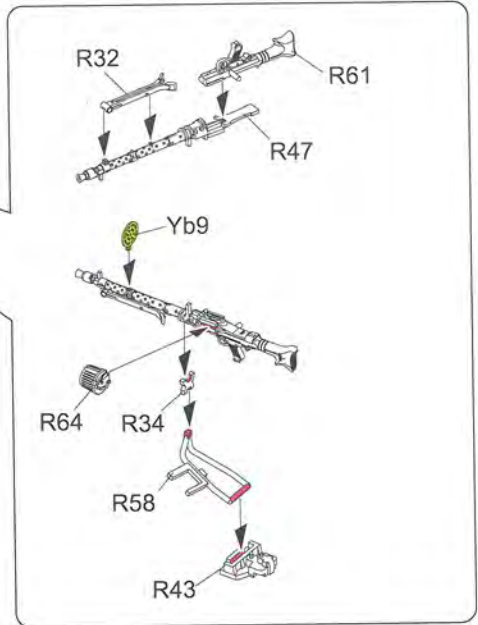
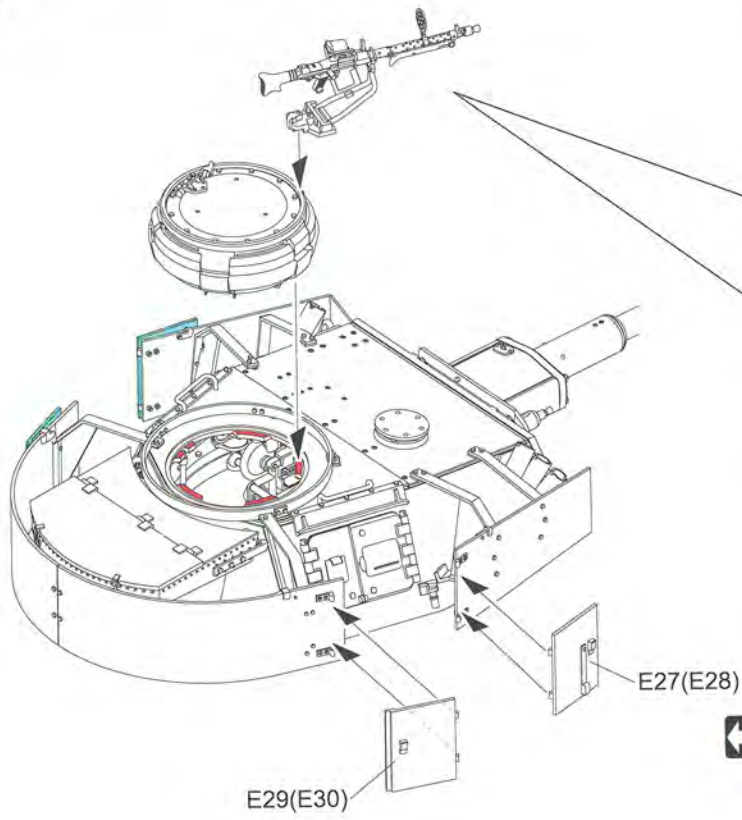
24



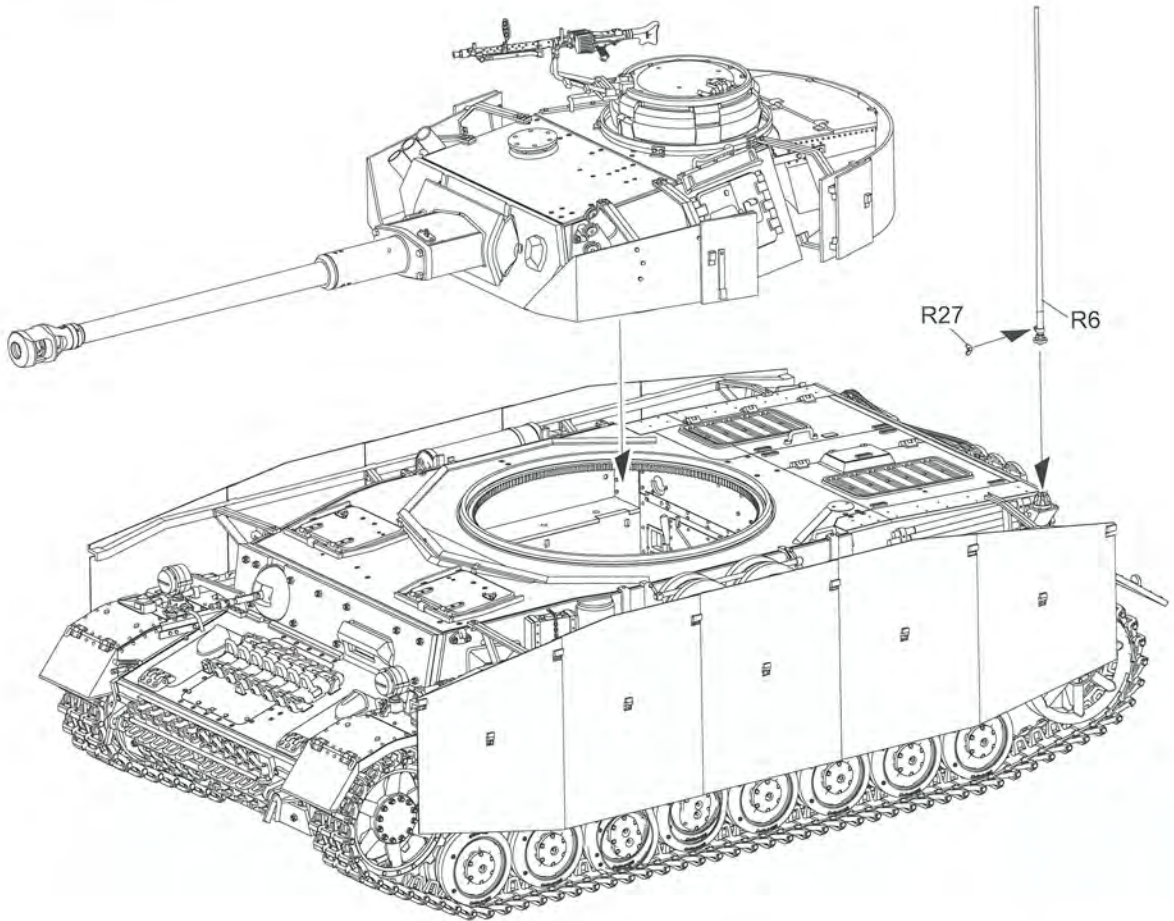
25



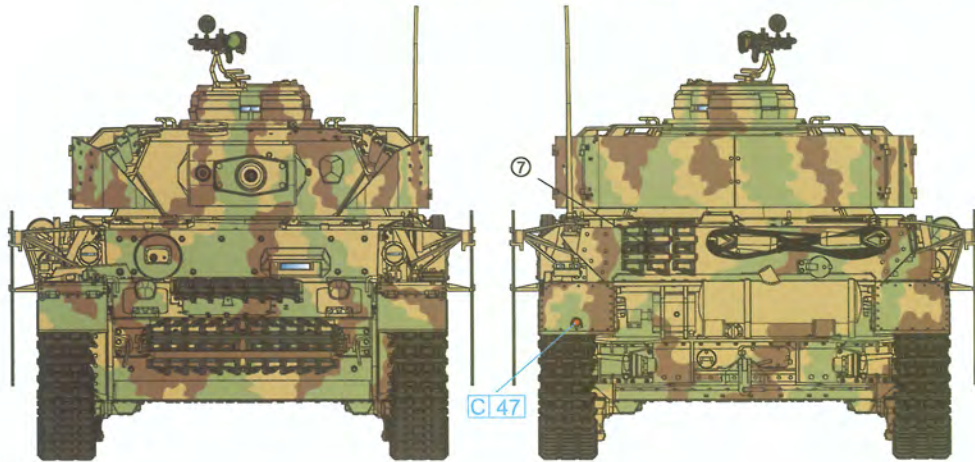
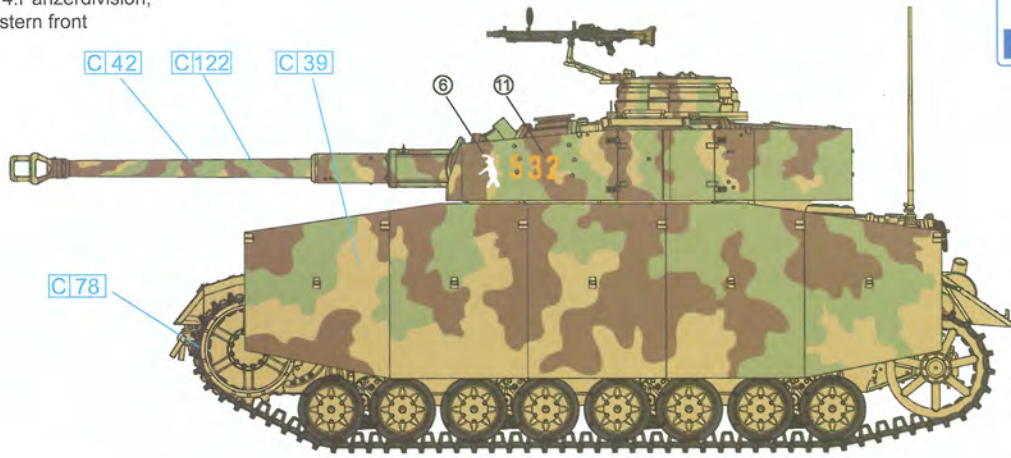
26



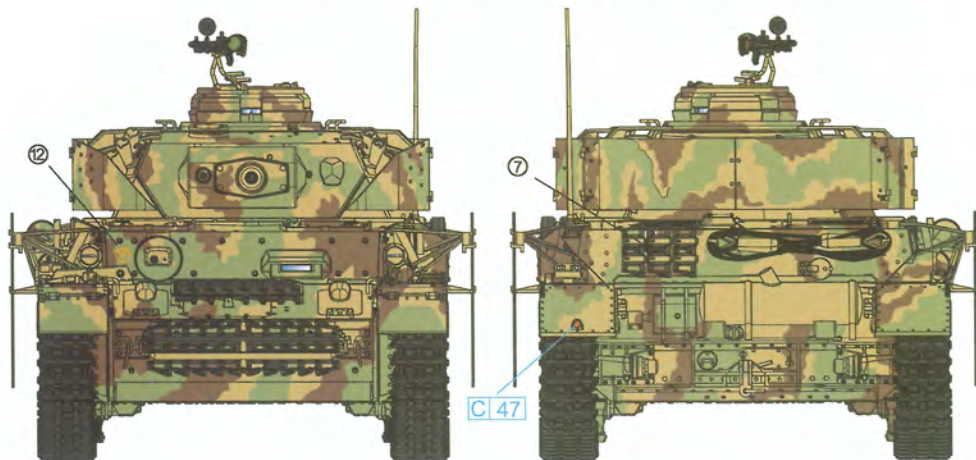
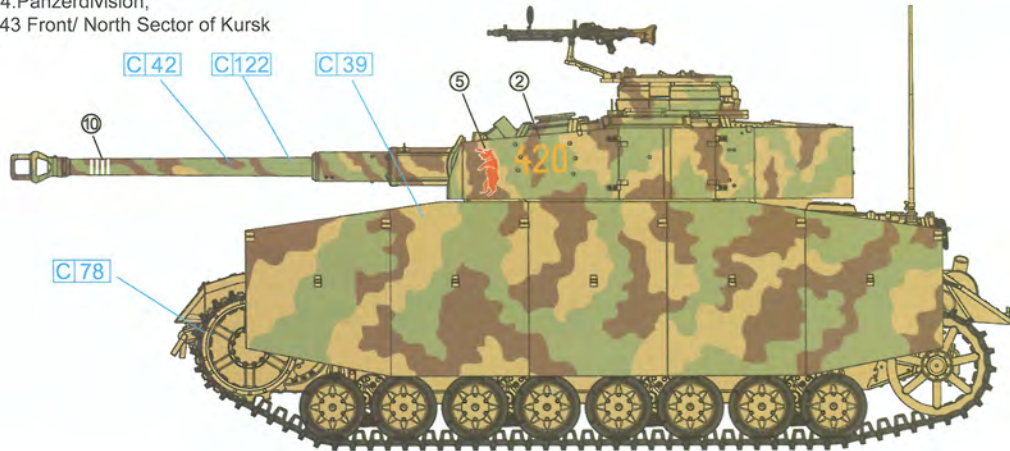
27



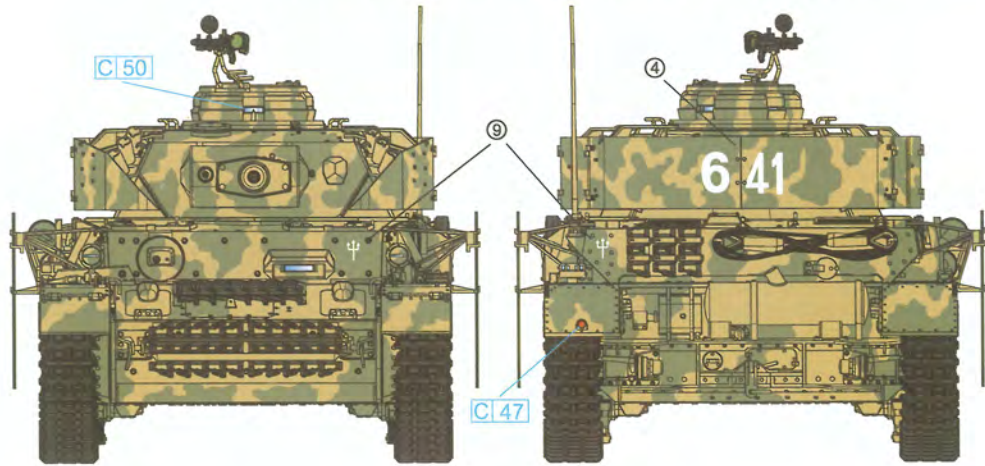
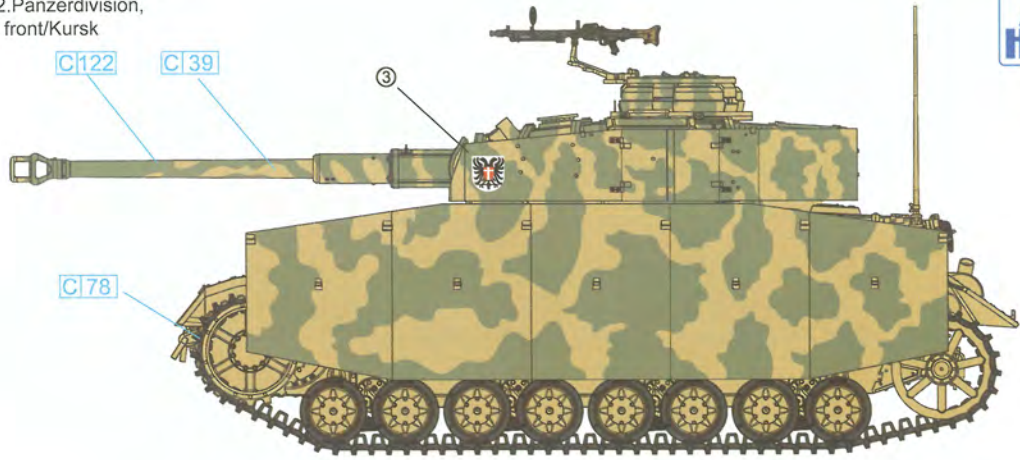
Pz.Kpfw.IV Ausf.G Late Production Model
5./Panzerregiment 35, 4.Panzerdivision,
No.532, June 1944 Eastern front



Pz.Kpfw. Ausf.G late Production Model
4./Panzerregiment 35, 4.Panzerdivision,
No.420, Summer of 1943 Front/ North Sector of Kursk



Pz.Kpfw.IV Ausf.G Late Production Model
6./Panzerregiment 4, 2.Panzerdivision,
No.641, 1943 Eastern front/Kursk



Pz.Kpfw.IV Ausf.G late Production Model
3./Panzerregiment 2, 16.Panzerdivision,
No.304, Summer of 1943 Italian Front

