

ACADEMY

HOBBY MODEL KITS

**1/48 SCALE**

LOCKHEED P-38M NIGHT LIGHTNING

The P-38 **Lightning** was regarded by many as the most beautiful fighter aircraft of World War II. The **P-38M Night Lightning** therefore had to be seen as the most sinister member of the family. Painted all over in black, (early stealth) it's true capability will never be known because of its late arrival in the Pacific War. Only a few **P-38M Night Lightnings** reached operational status, but their record as a night fighter was impressive.

The AN/APS-4 RADAR was very crude by today's standards but the radar operator, crammed into the back seat, was able to find the enemy and guide the pilot to a point of interception where the devastating power of the **P-38's** guns could destroy the target. It's safe to say that most of the kills recorded by the **P-38M** came without any warning to the enemy pilot.

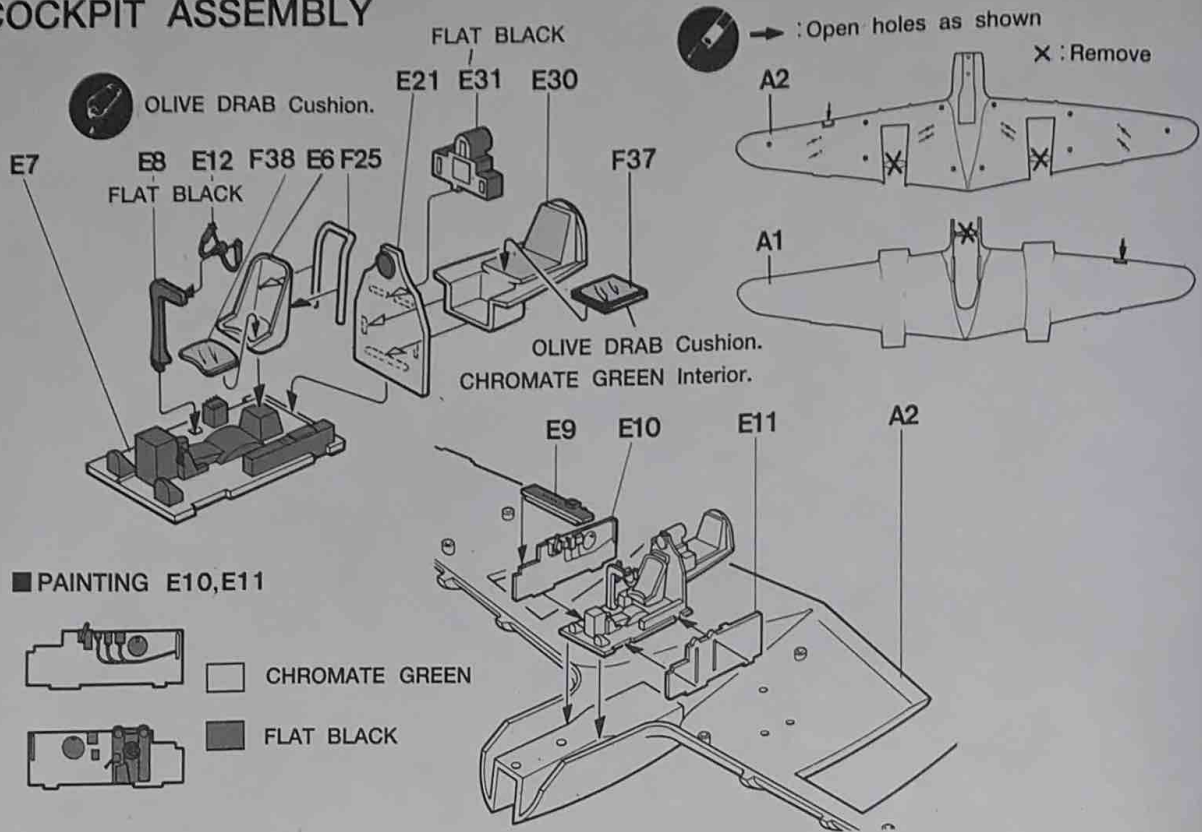
Powered by Allison V-1710 and V-1711 engines rated at 1,475 horsepower at take-off, the converted P-38L-5-LO Lightnings had all the latest modifications and improvements. For the first time the superchargers delivered their advertised power enabling the **Night Lightnings** to fly to a 44,000 foot ceiling. With a maximum speed of 391 miles per hour at 27,700 feet, there were few aircraft in World War II that could match its speed.

SPECIFICATIONS:

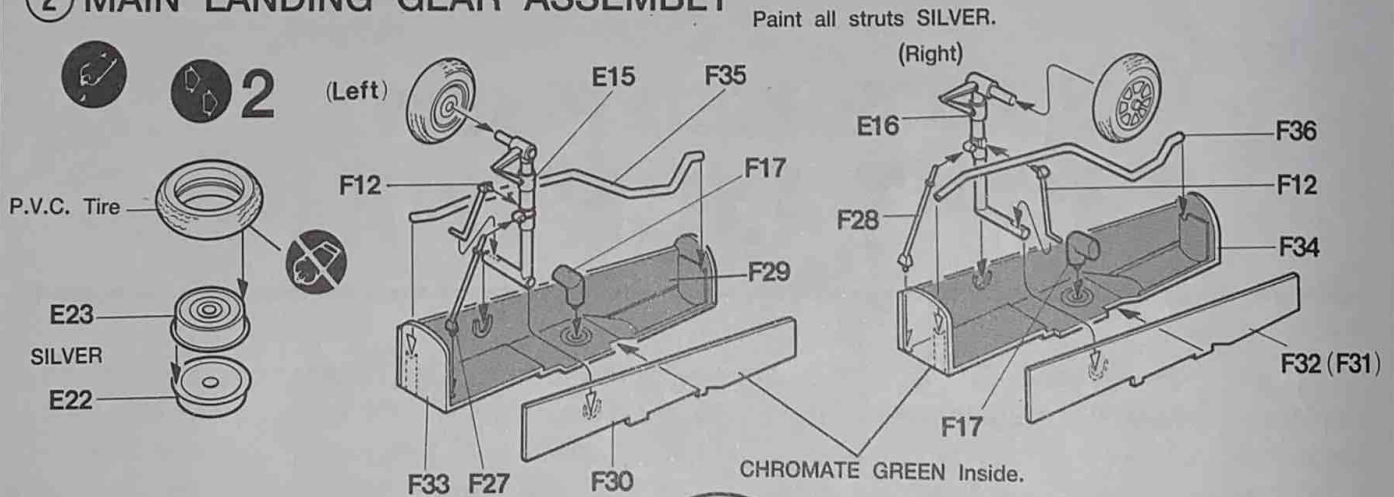
Wingspan: 52.0 feet **Length:** 37.8 feet **Height:** 10.3 feet
Armament: 4 × 0.50 machine guns 1 × 20 mm gun

2145

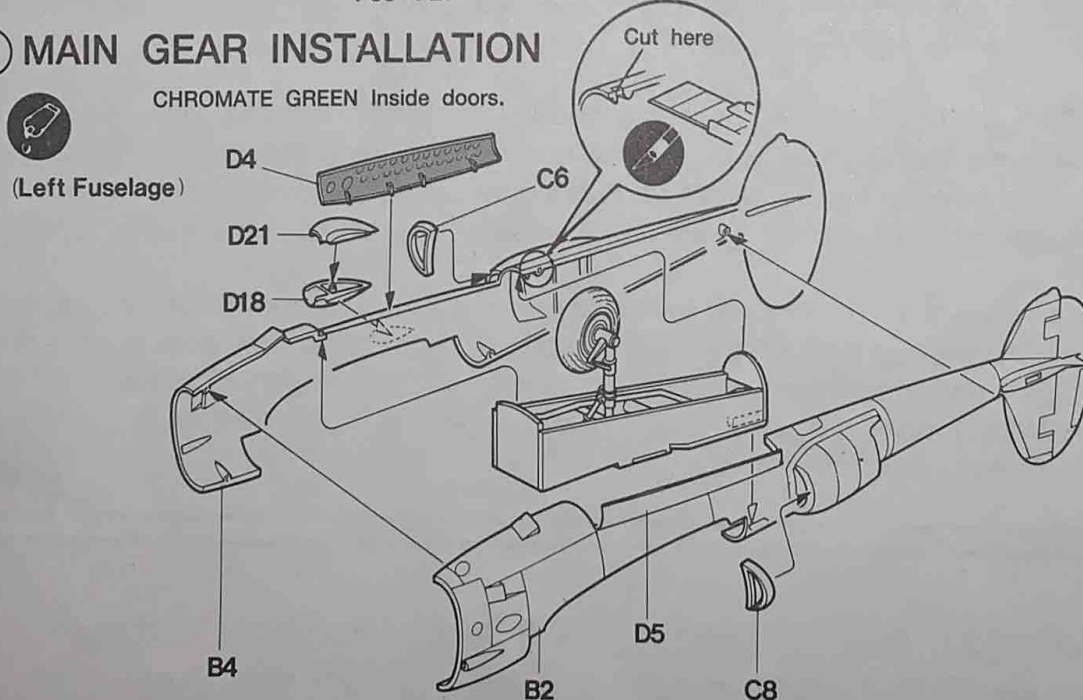
① COCKPIT ASSEMBLY



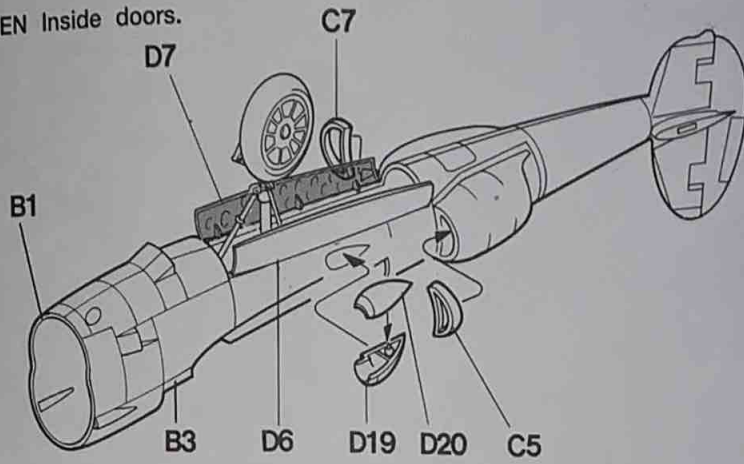
② MAIN LANDING GEAR ASSEMBLY



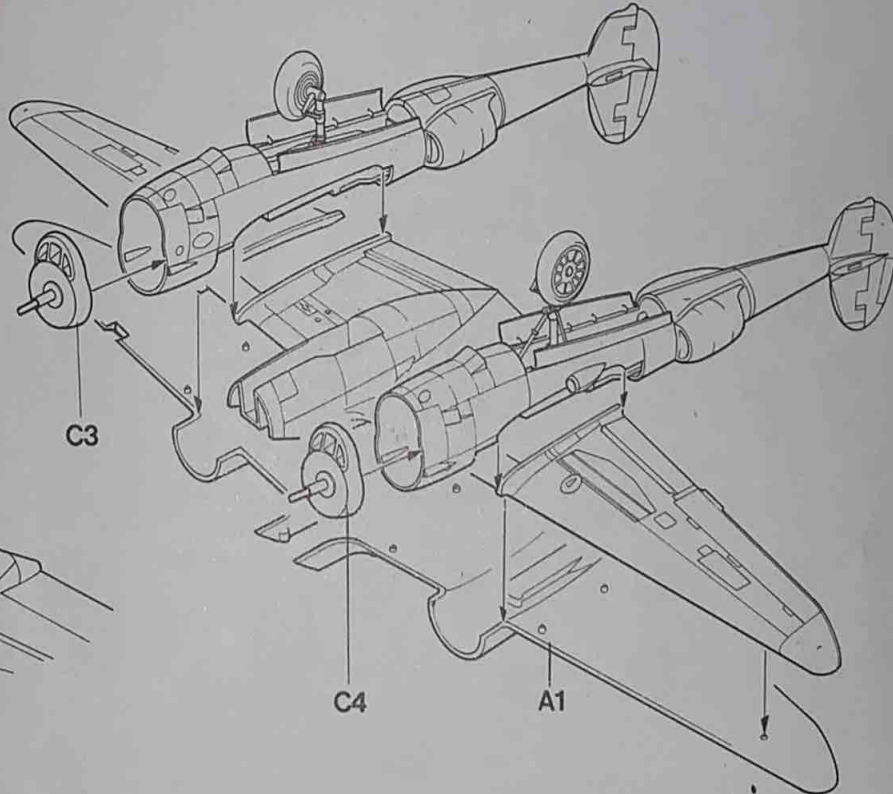
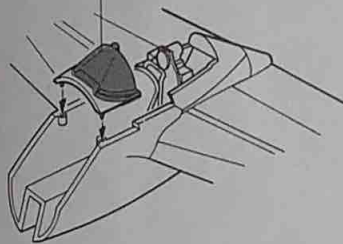
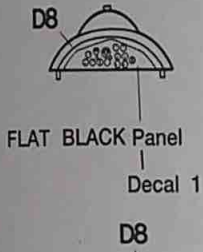
③ MAIN GEAR INSTALLATION



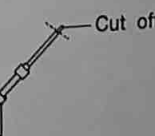
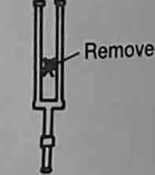
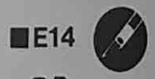
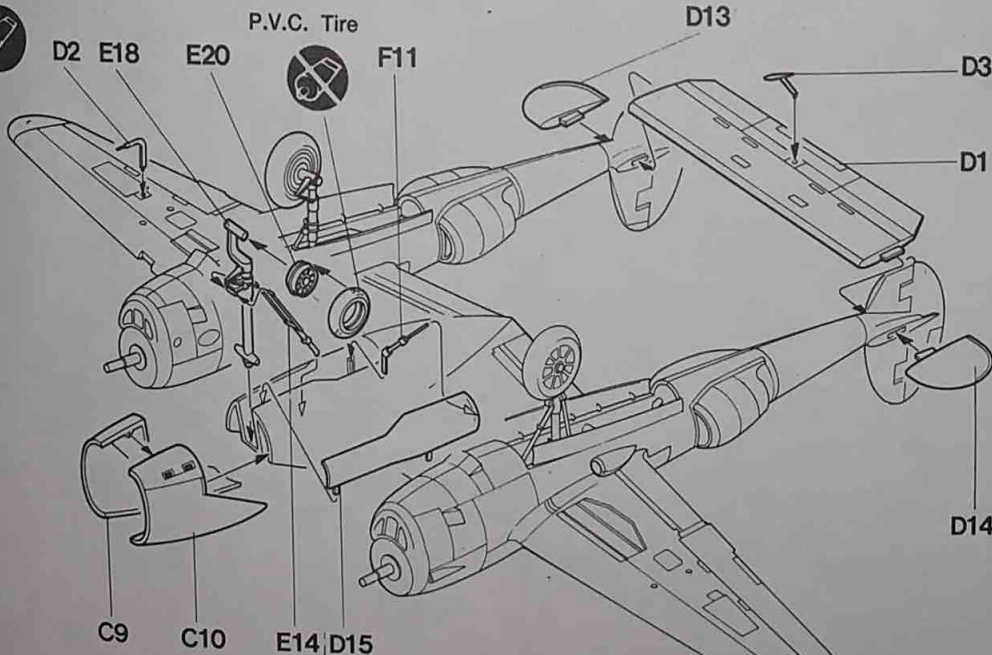
CHROMATE GREEN Inside doors.
(Right Fuselage)



④ WING ASSEMBLY



⑤ NOSE GEAR AND STABILIZER



CHROMATE GREEN Inside door.
Paint all struts SILVER.

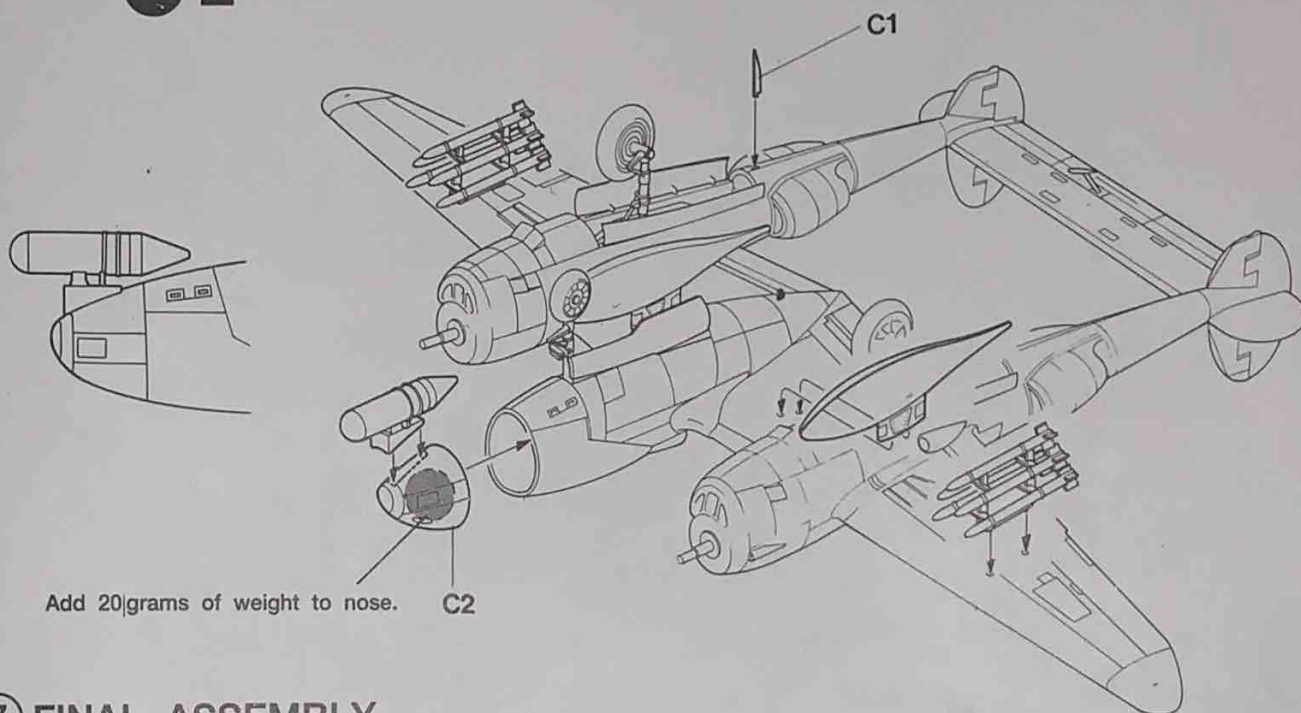
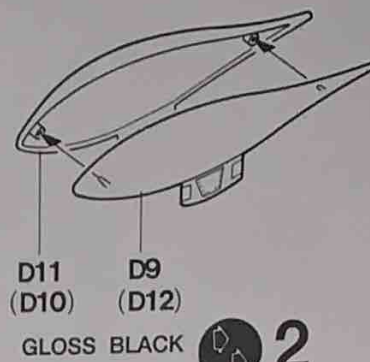
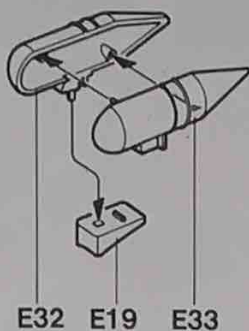
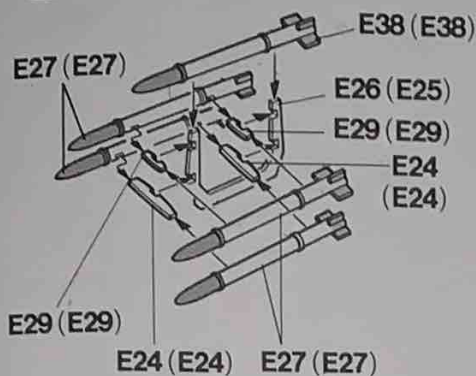
6 ARMAMENT ASSEMBLY AND INSTALLATION



■ 5 HVAR

■ AN/APS-4

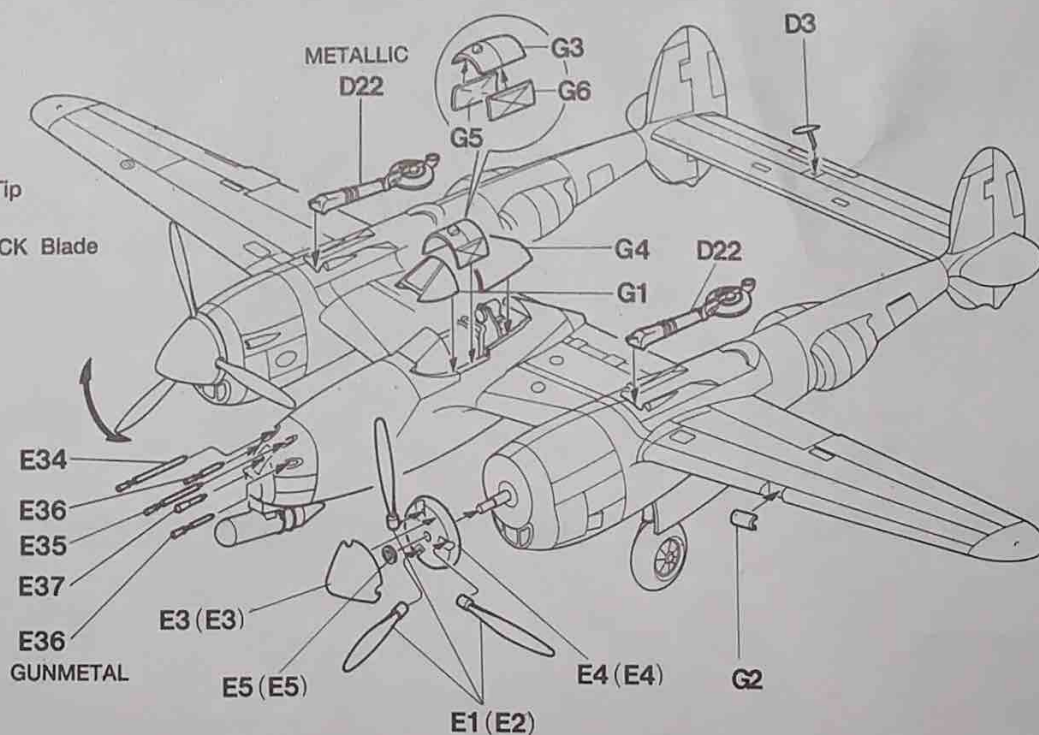
■ Drop Tank



7 FINAL ASSEMBLY

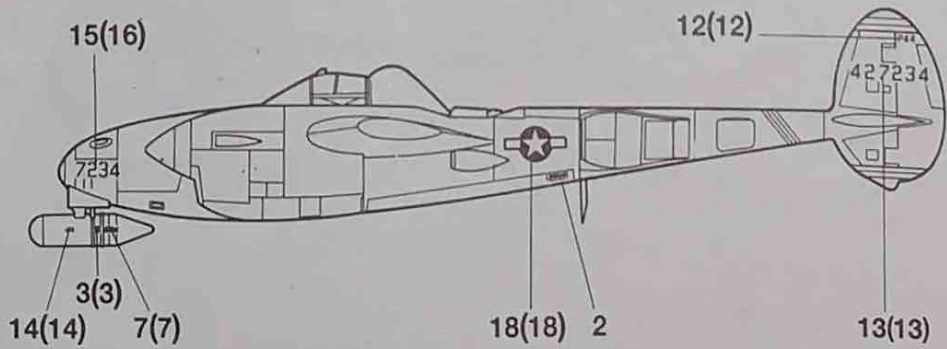
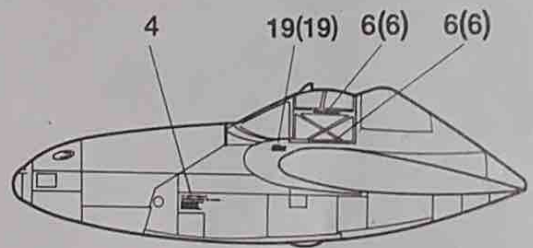
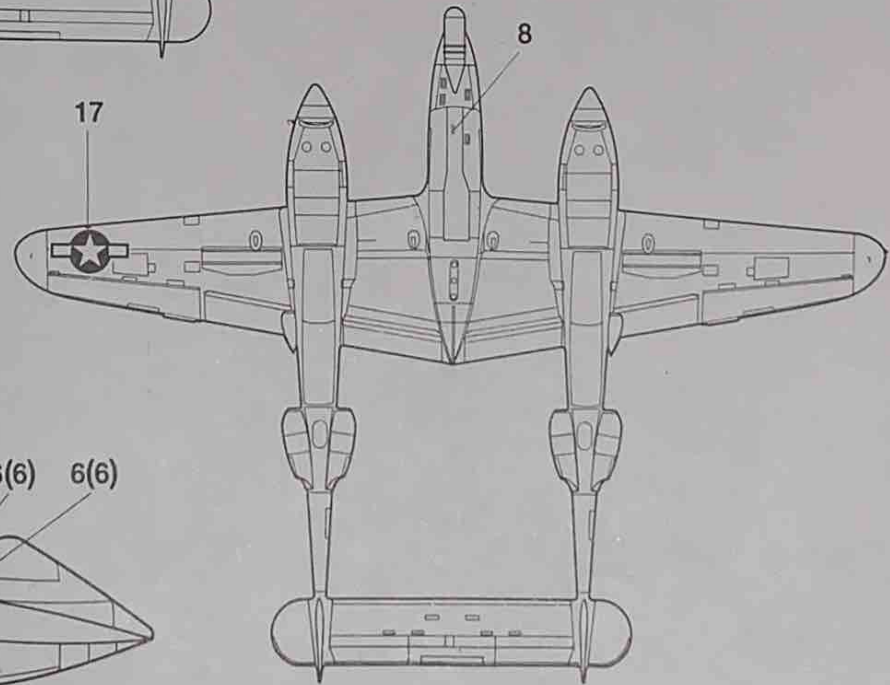
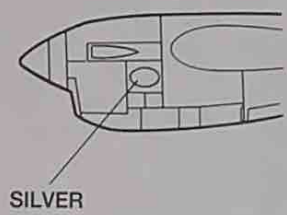
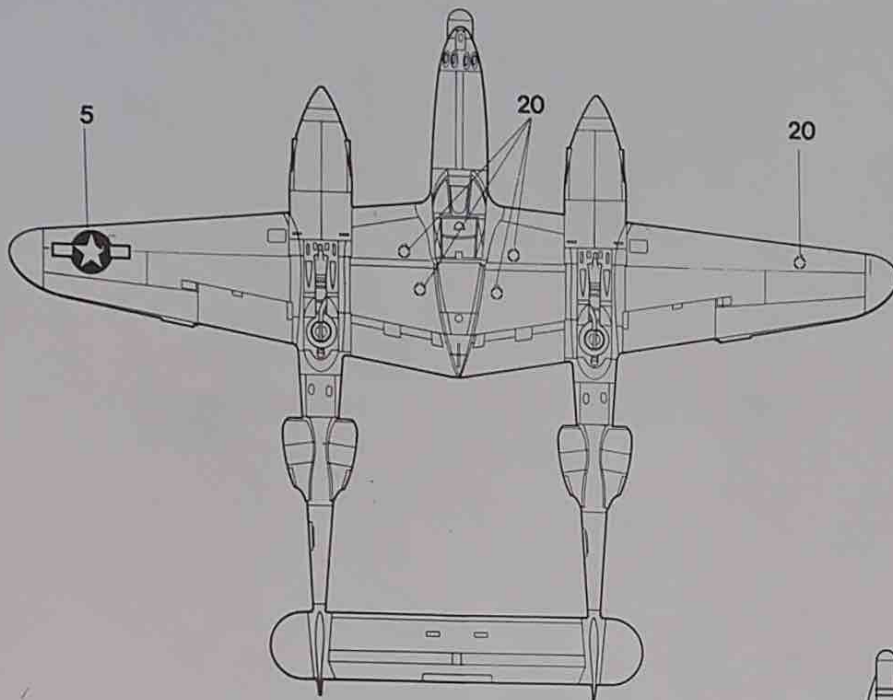


- YELLOW Tip
- FLAT BLACK Blade
- Decal 11
- Decal 10



PAINING AND DECAL PLACEMENT

Aircraft is overall GLOSS BLACK.

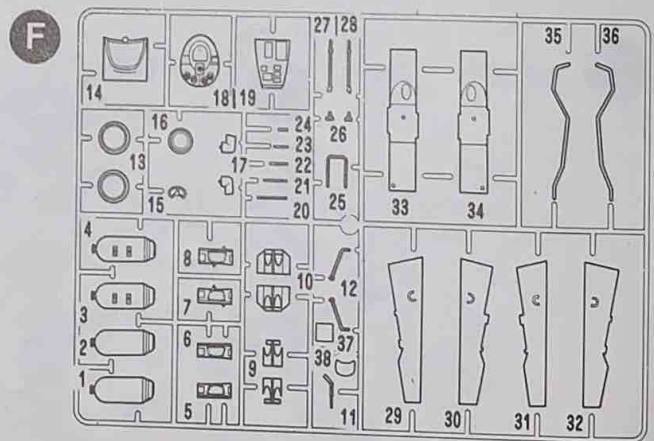
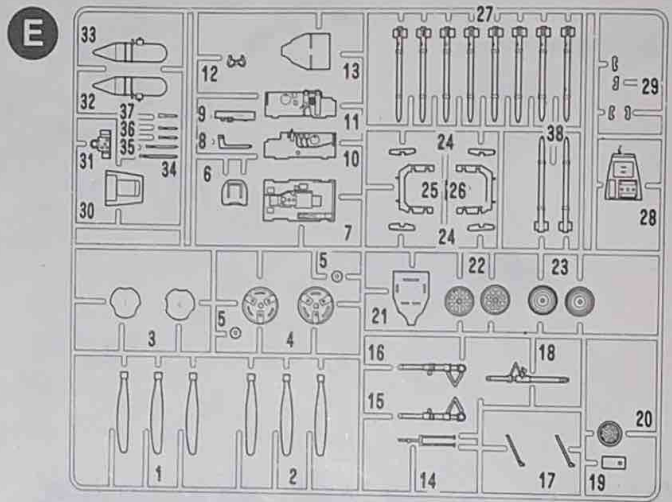
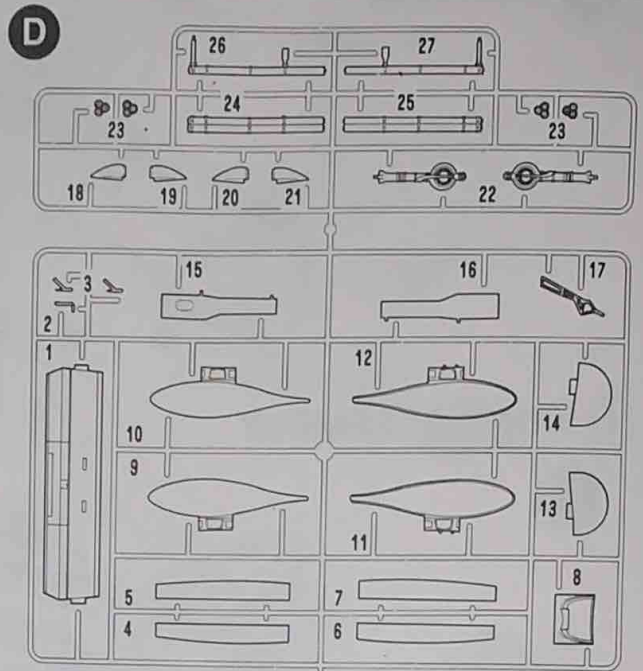
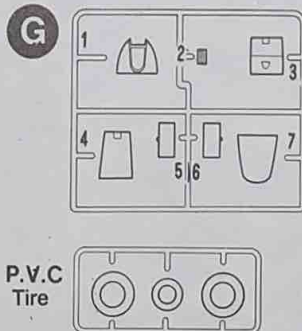
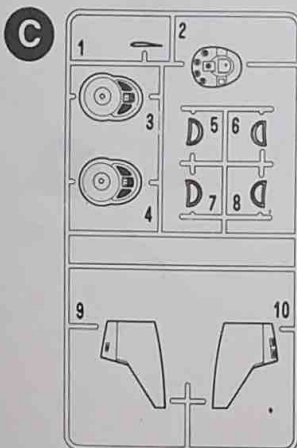
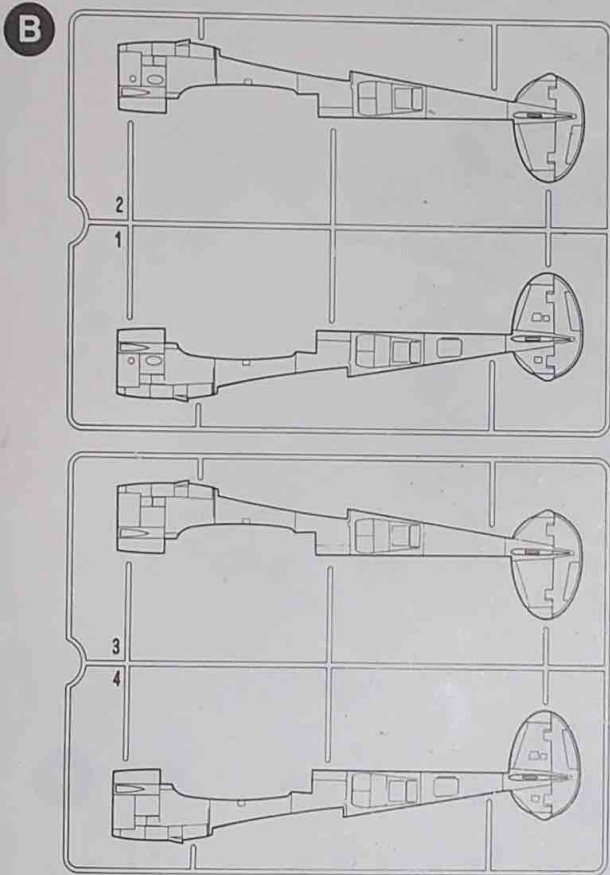
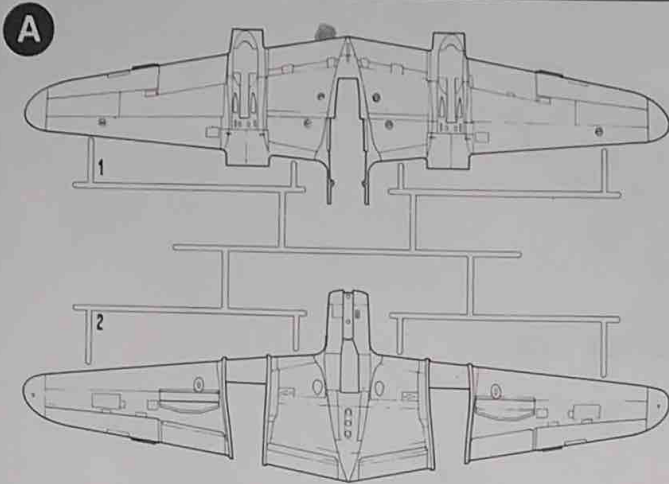


• UNUSED DECAL: No.9

ENGLISH	FRENCH	GERMAN	SPANISH	ITALIAN
BLACK	NOIR	SCHWARZ	NEGRO	NERO
SILVER	ARGENT	SILBERN	PLATA	ARGENTO
GUNMETAL	METALLIC	METALLIC	METALICO	METALLICO
METALLIC	METALLIC	METALLIEK	METALICO	METALLICO
GRAY	GRIS	GRAU	GRIS	GRIGIO
YELLOW	JAUNE	GELB	AMARILLO	GIALLO
GREEN	VERT	GRUN	VERDE	VERDE
GLOSS	LUSTRE	GLANZENDES	BRILLANTE	BRILLANTE

ACADEMY
HOBBY MODEL KITS

PARTS LOCATING DIAGRAM



Copyright 1994 Academy Plastic Model Co., Ltd.
273-64, Suyu-dong, Kangbuk-ku, Seoul, Korea FAX: 82-2-997-3003

* UNUSED PARTS: D16,17,23~27, E13,17,28,
F1~10,13~16,18~24,26, G7

Cement Parts Coller Kleben Pegar Incollare Colar Kleven	DO NOT cement Ne pas coller Nicht kleben No pegar Non incollare Nao colar Niet kleven	Cut away Couper Scheiden Cortar Tagliare Cortar Snijden	Optional parts Choix Auswahlmöglichkeit Elección Scelta Opcao Keuze	Repeat operation Répéter l'opération Vorgang wiederholen Repitir la operación Ripetere Repitir a operação Herhalen
---	---	---	---	--