

**ACADEMY**

**MINICRAFT**



## LOCKHEED P-38E LIGHTNING

When the **P-38 Lightning** went into active service late in 1941, the tremendous fire power and speed of the **P-38** represented a quantum leap in performance compared to the average fighter of the '30s. With a top speed of 390 miles per hour and a service ceiling of 39,000 feet, the **Lightning** quickly established itself as the most outstanding long-range escort fighter.

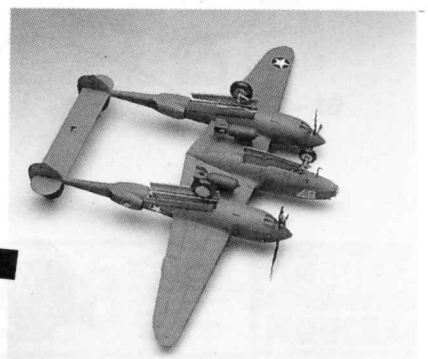
Early in WWII, only the **Lightning** had the range to accompany bombers on lengthy flights from Adak. Frequently, a single B-17 would be accompanied by one or two **P-38s** on strikes against Dutch Harbor or other Japanese bases in the Aleutians. The "E" model served mostly in the Pacific and Aleutians though some operated in the North Atlantic out of Iceland.

Powered by 1,150 hp Allison V-1710 engines, the "E" model was the first **Lightning** to carry the 20mm Hispano cannon in addition to the four .50 caliber Browning machine guns. This concentrated fire-power was capable of destroying an enemy aircraft with a relatively short burst. Normally loaded with 500 rounds of .50 caliber of ammo per gun the **Lightning** was well prepared for the ground-staffing role it was frequently assigned.

Normally flown without drop tanks or bombs, the "E" model with its swept-back air intakes was certainly the most attractive of all the **Lightnings**. Two-hundred and ten **P-38E Lightnings** were made by Lockheed, many of which were later re-engined and brought up to "G" standards. About 100 "E" models were also converted into F-4 photographic reconnaissance aircraft.



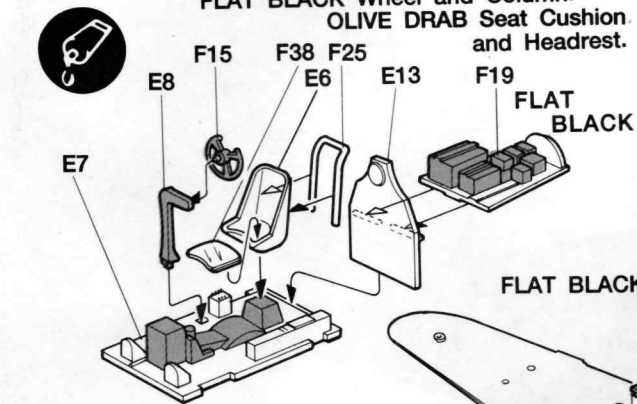
**1/48TH SCALE**



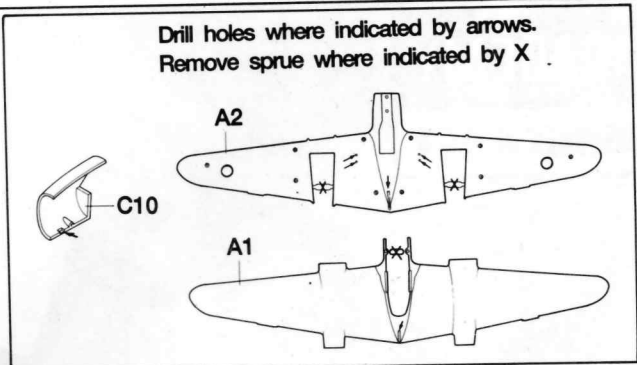
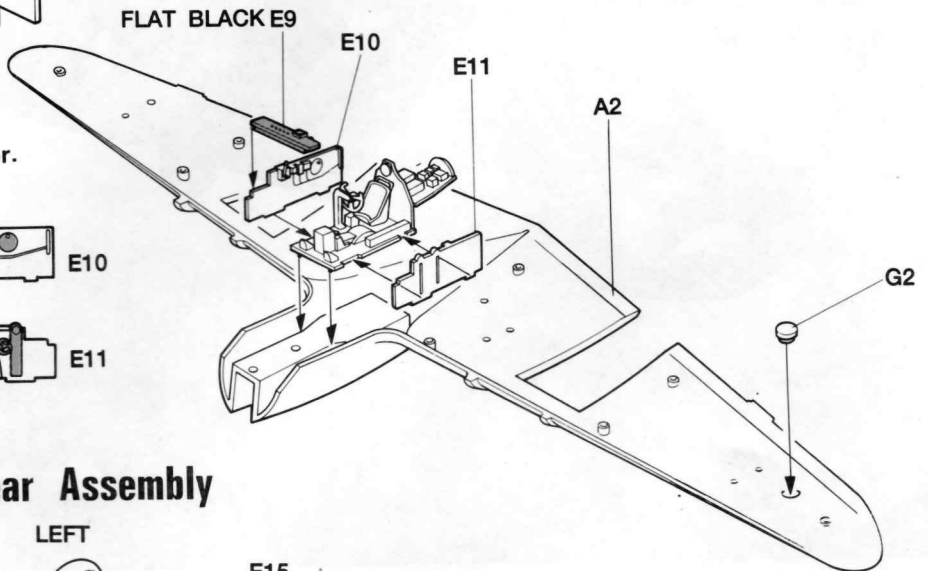
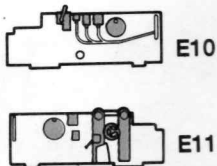
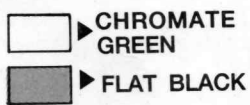
2144

# 1 Cockpit Assembly

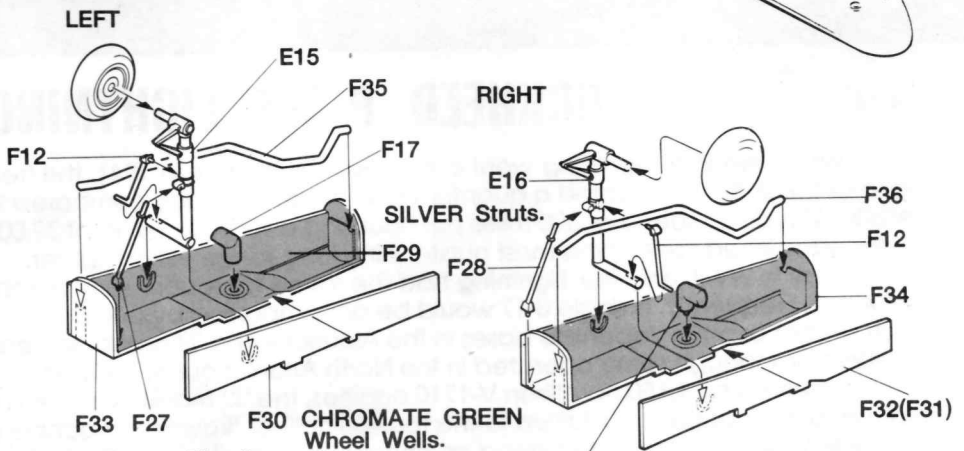
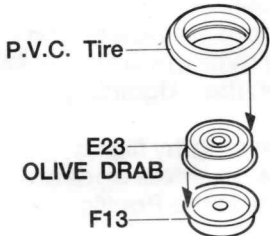
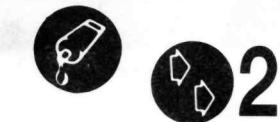
FLAT BLACK Wheel and Column.  
OLIVE DRAB Seat Cushion  
and Headrest.



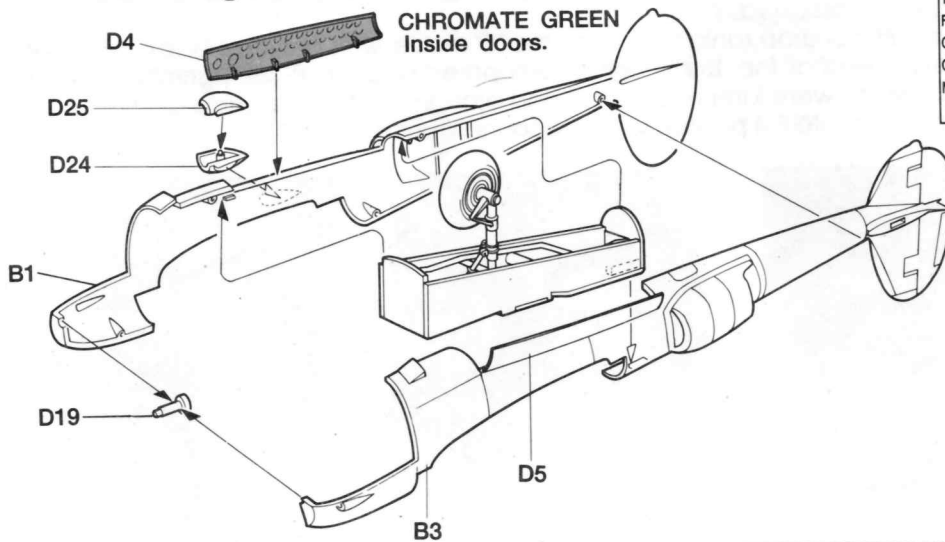
CHROMATE GREEN Interior.



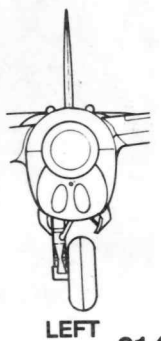
# 2 Main Landing gear Assembly



# 3 Main Landing Gear Installation



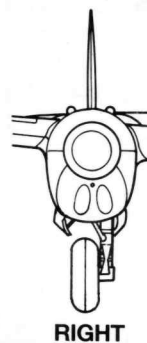
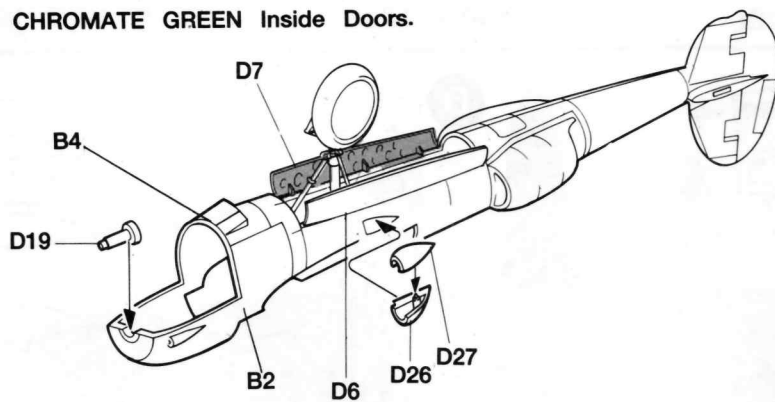
TO RECEIVE A COPY OF THE NEWEST FULL COLOR MINICRAFT/ACADEMY CATALOG, SEND US\$5.00 (U.S.A. ONLY) OR US\$6.00 (FOREIGN) TO MINICRAFT MODELS, INC. P.O. BOX 3577 TORRANCE, CALIF. 90510



LEFT

2144

CHROMATE GREEN Inside Doors.



## 4 Wing Assembly

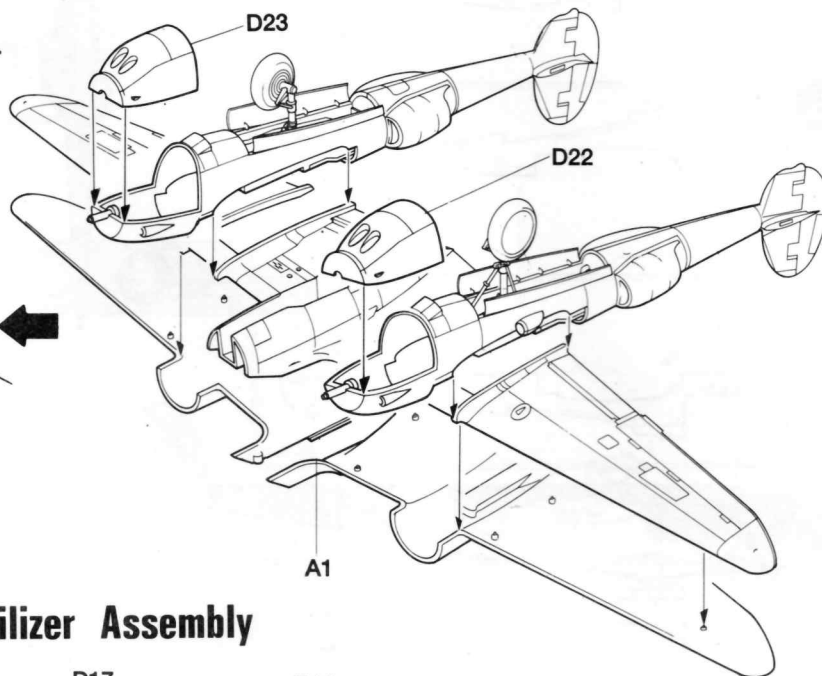
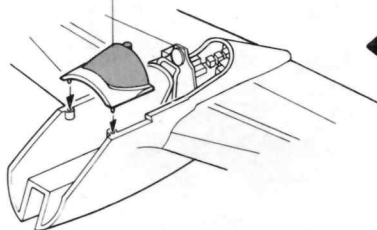


F14 FLAT BLACK Inside.



DECAL 1

FLAT BLACK  
F14



## 5 Nose Gear and Stabilizer Assembly



OLIVE DRAB

E18

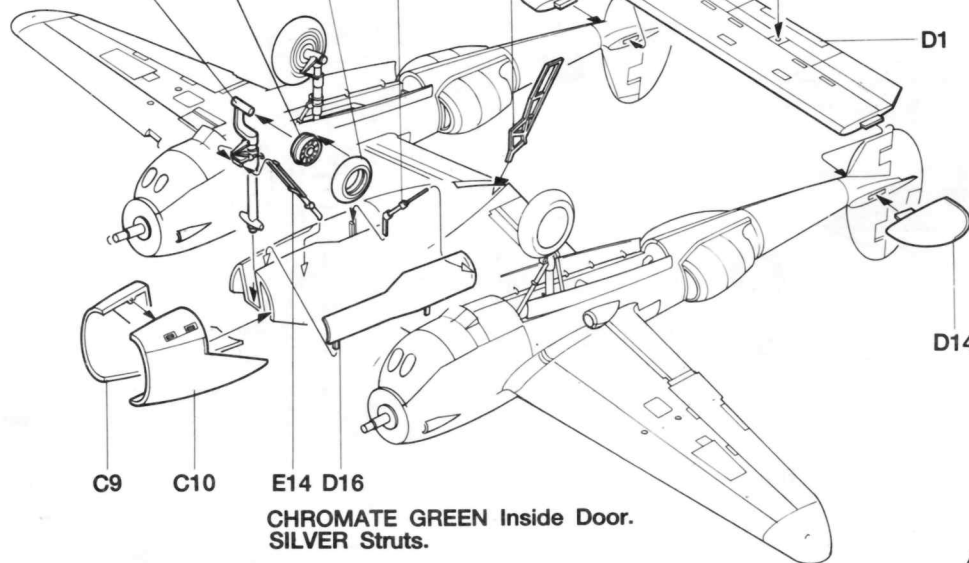
F16

P.V.C. Tire

F11

D17

D13



E14

Remove sprue  
where indicated  
by X.



F11

Remove tip.



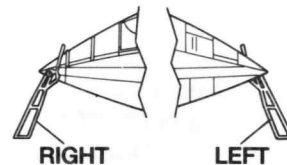
D14

C9

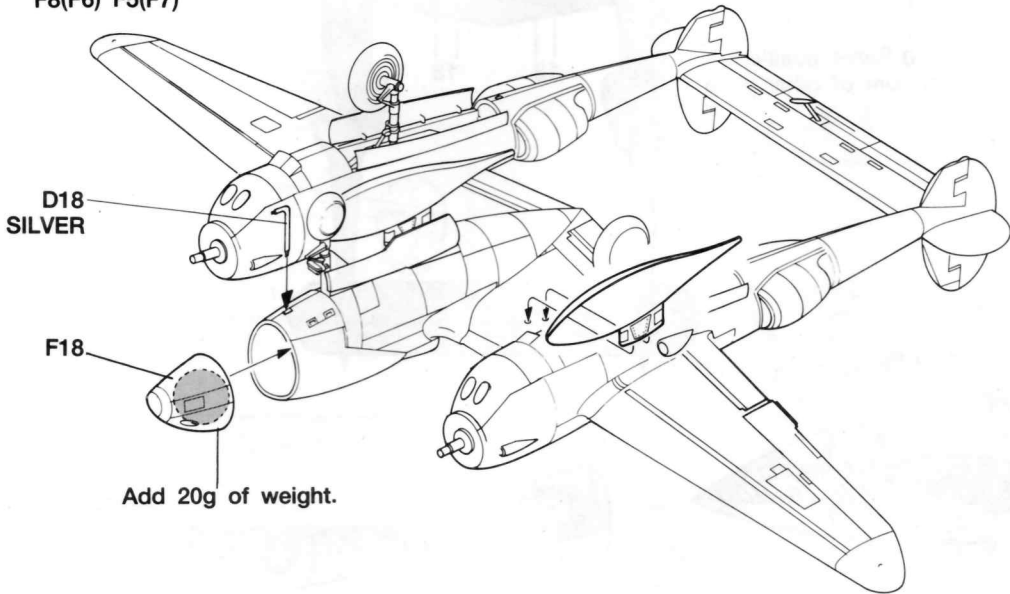
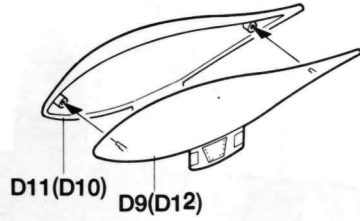
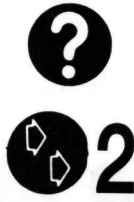
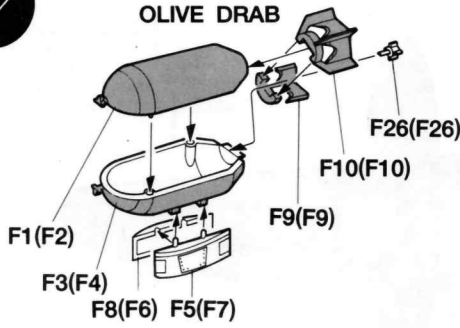
C10

E14 D16

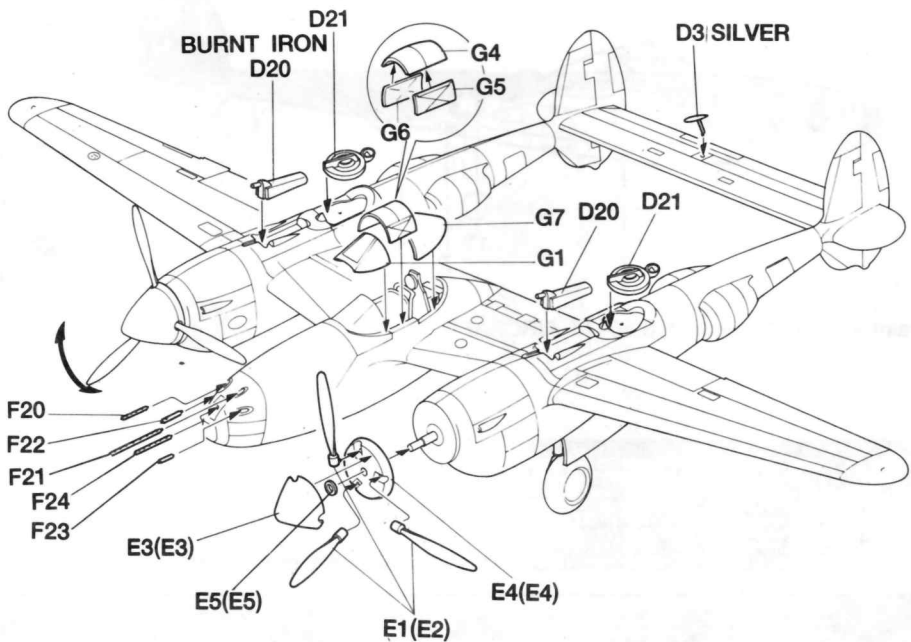
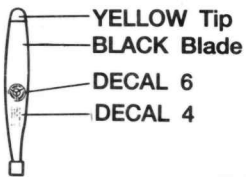
CHROMATE GREEN Inside Door.  
SILVER Struts.



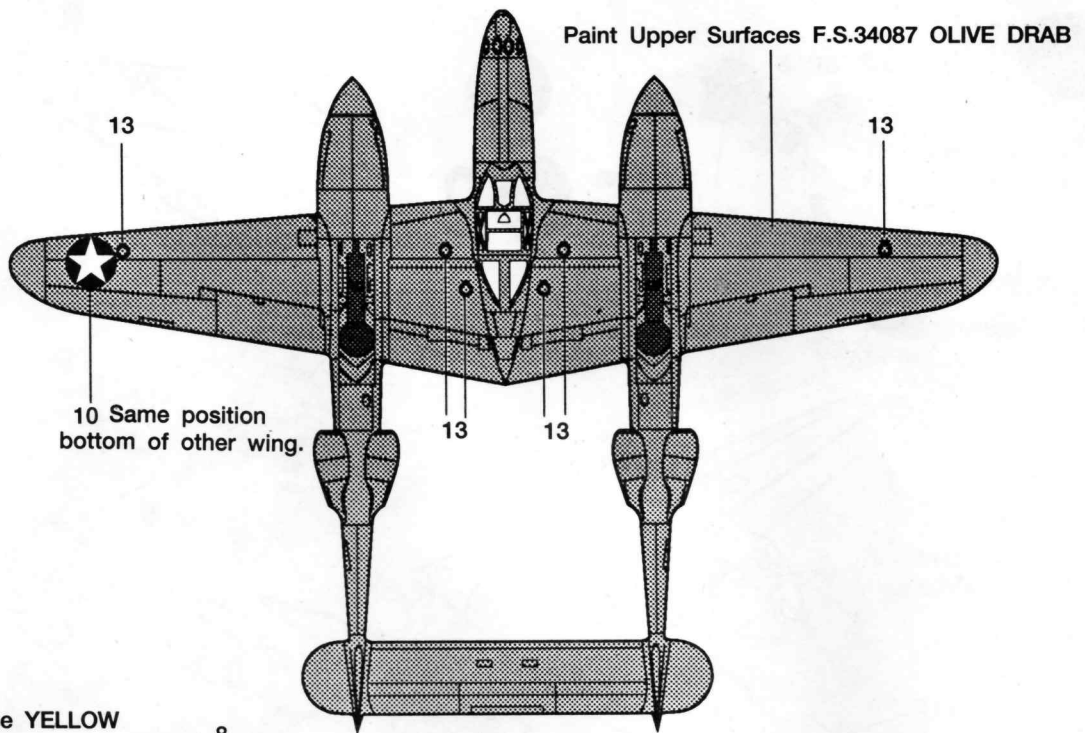
# 6 Bomb and Drop Tank Assembly



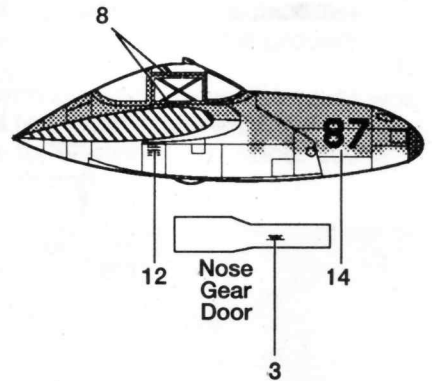
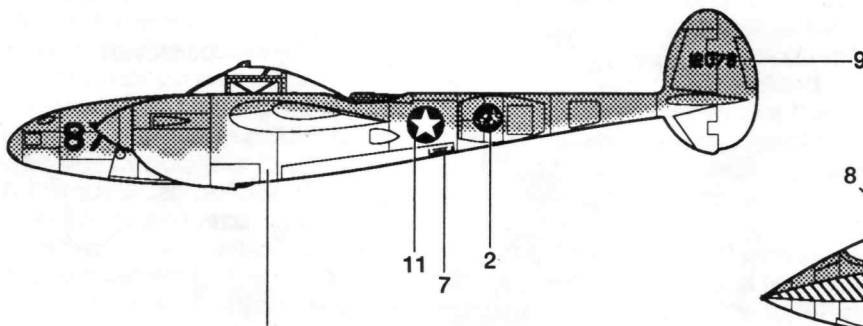
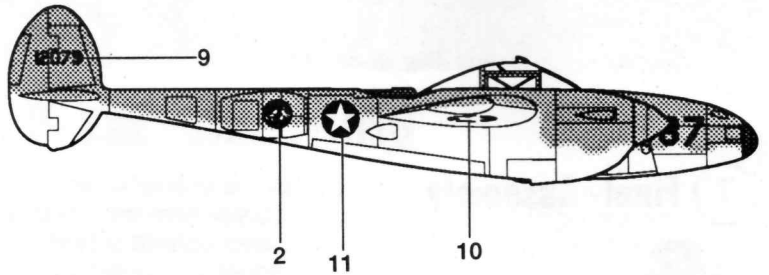
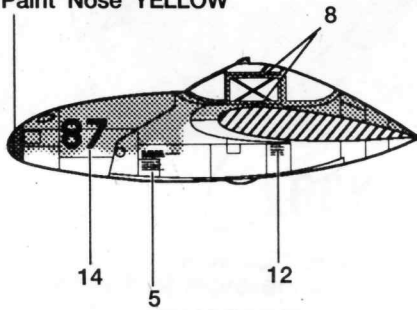
# 7 Final Assembly



# Painting and Decal Placement Diagram



Paint Nose YELLOW



Paint Lower Surfaces F.S.36473 AIRCRAFT GRAY

ENGLISH	FRENCH	GERMAN	SPANISH	ITALIAN
BLACK	NOIR	SCHWARZ	NEGRO	NERO
SILVER	ARGENT	SILBERN	PLATA	ARGENTO
GUNMETAL	METALLIC	METALLIC	METALLICO	METALLICO
RED	ROUGE	ROT	ROJO	ROSSO
YELLOW	JAUNE	GELB	AMARILLO	GIALLO
GREEN	VERT	GRÜN	VERDE	VERDE
BROWN	BRUN	BRAUN	MARRON	MARRONE
GRAY	GRIS	GRAU	GRIS	GRIGIO

© 1994 Minicraft models Inc.

2144



Cement Parts  
Coller  
Kleben  
Pegar  
Incollare  
Colar  
Kleben



Do Not Cement Parts  
Ne Pas Coller  
Nicht Kleben  
No Pegar  
Non Incollare  
Não Colar  
Niet Kleven



Cut Away  
Couper  
Scheiden  
Cortar  
Tagliare  
Cortar  
Snijden



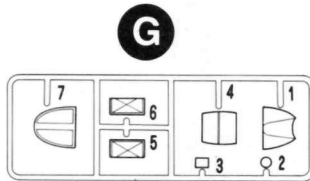
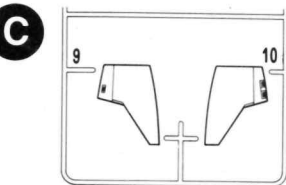
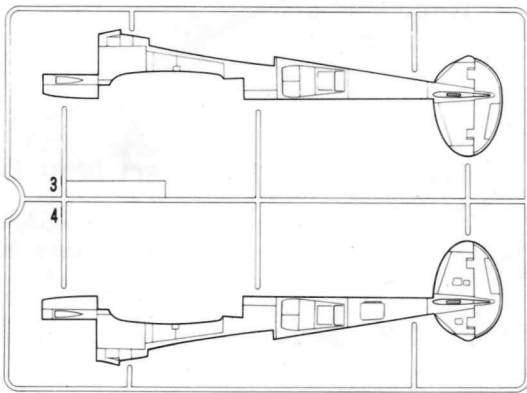
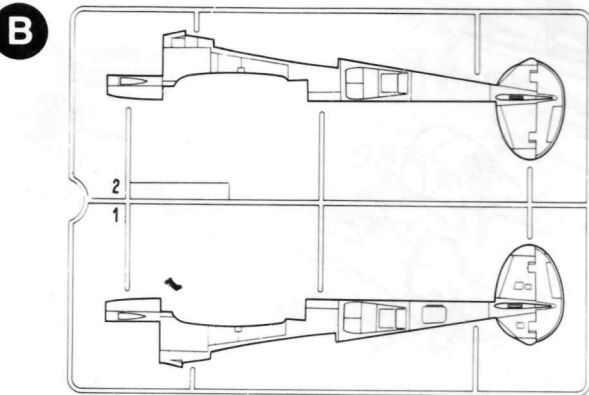
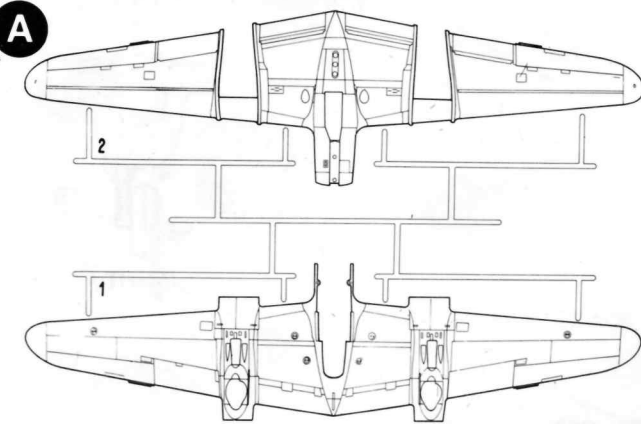
Optional Parts  
Choix  
Auswahlmöglichkeit  
Elección  
Scelta  
Opção  
Keuze



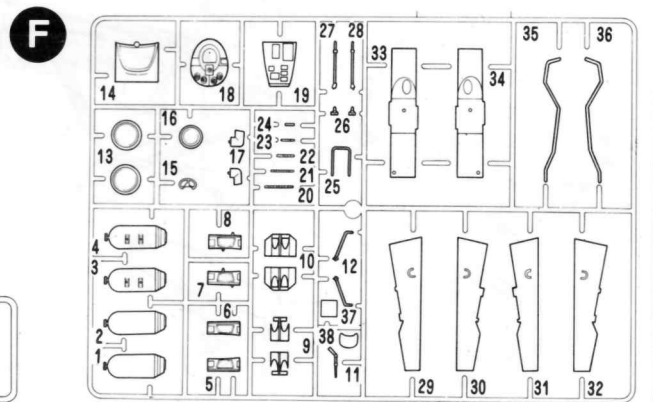
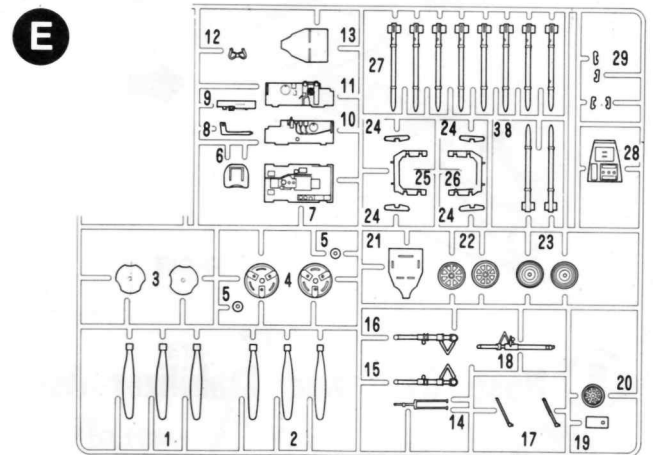
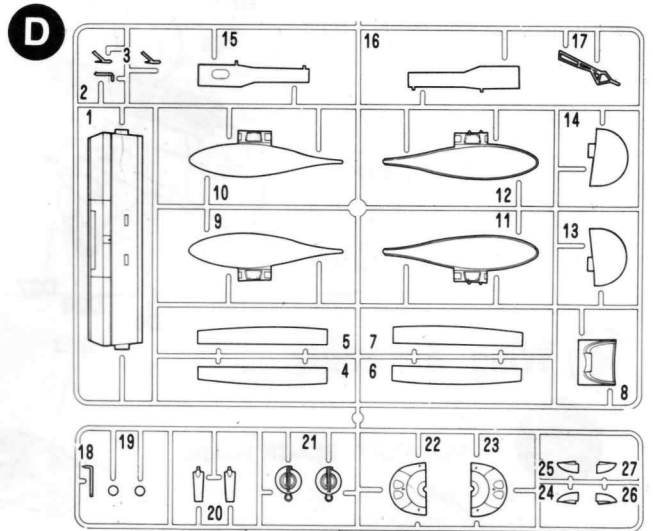
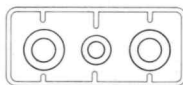
Repeat Operation  
Répéter l'opération  
Vorgang Wiederholen  
Repètit la operación  
Repeter  
Repitir a Opração  
Herhalen

**ACADEMY**  
**MINICRAFT**

# Parts Locating Diagram



● P.V.C. Tire



● Unused parts:  
D2,8,15,E12,17,19,20,  
21,22,24,25,26,27,28,  
29,38,F37,G3.

2144

**ACADEMY  
MINICRAFT**