

SUPER MARINE 超马林 喷火式战斗机 Mk.Vb スピットファイア Mk.Vb

SPITFIRE Mk.Vb

w/Interior

Border

● READY TO ASSEMBLE PRECISION

● MODEL KIT ● MODELING SKILLS HELPFUL IF UNDER 14 YEARS OF AGE ● MODEL MAY VARY FROM IMAGE ON BOX ● CEMENT AND PAINT NOT INCLUDED



- INCLUDES 20MM METAL GUN BARREL.
- INCLUDES PE PARTS & DECAL.
- INCLUDES CLEAR PARTS.
- COMPLETE ENGINE, WEAPONS INTERIOR STRUCTURE.
- INCLUDES CANOPY PAINT & CAMO PAINT STENCILS.
- INCLUDES AN AIR BOMB.

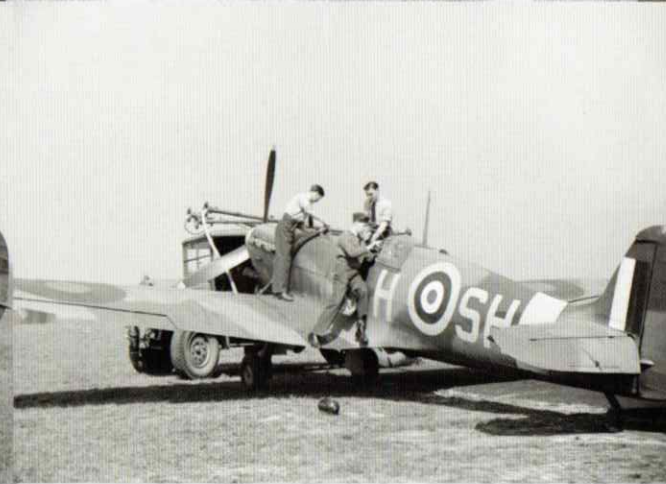
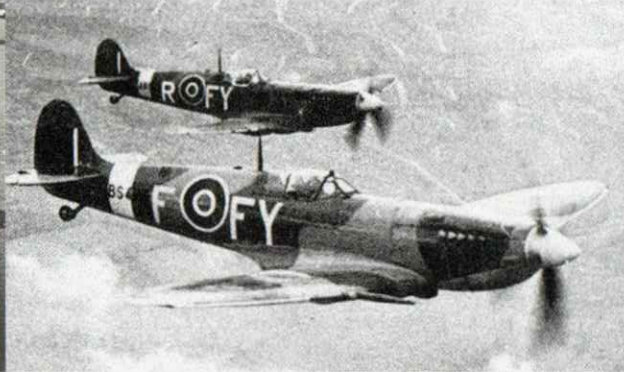
JASON 2023

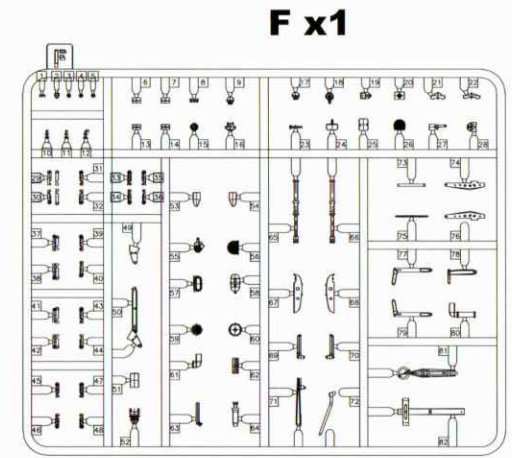
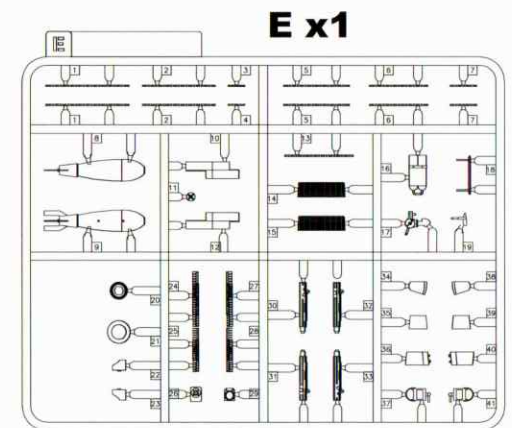
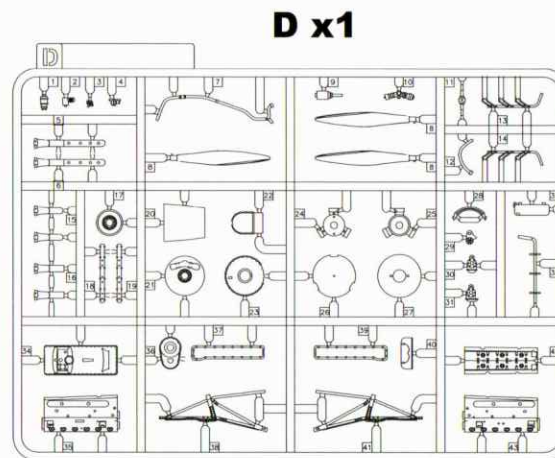
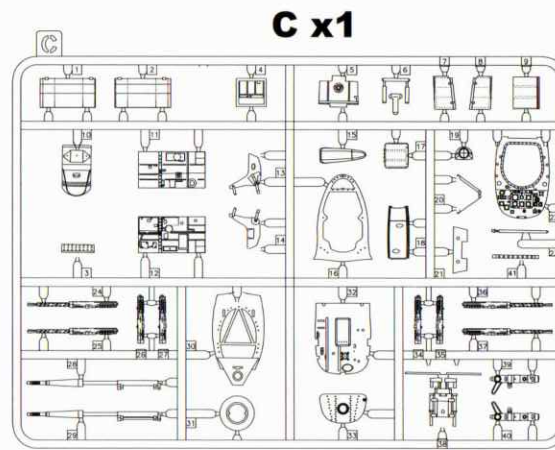
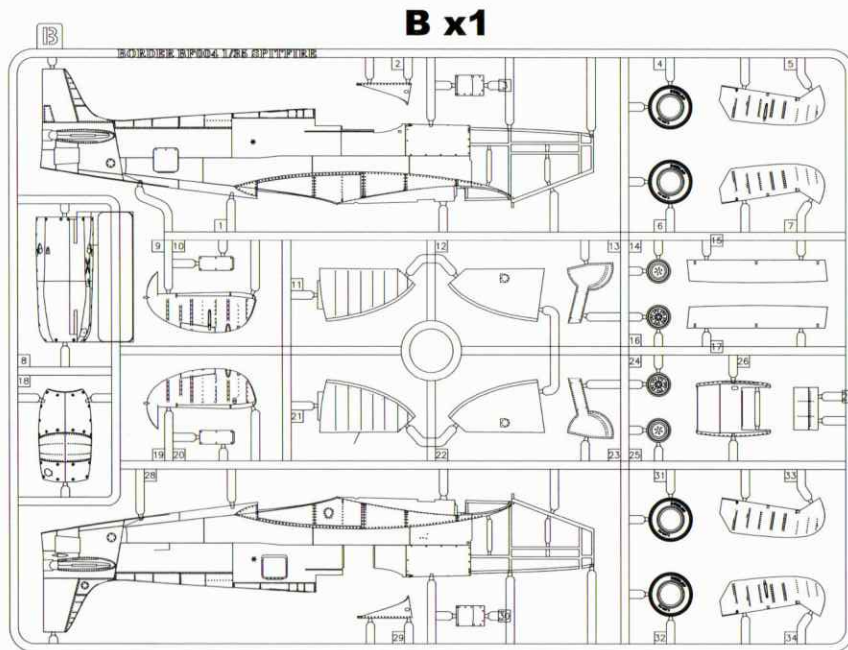
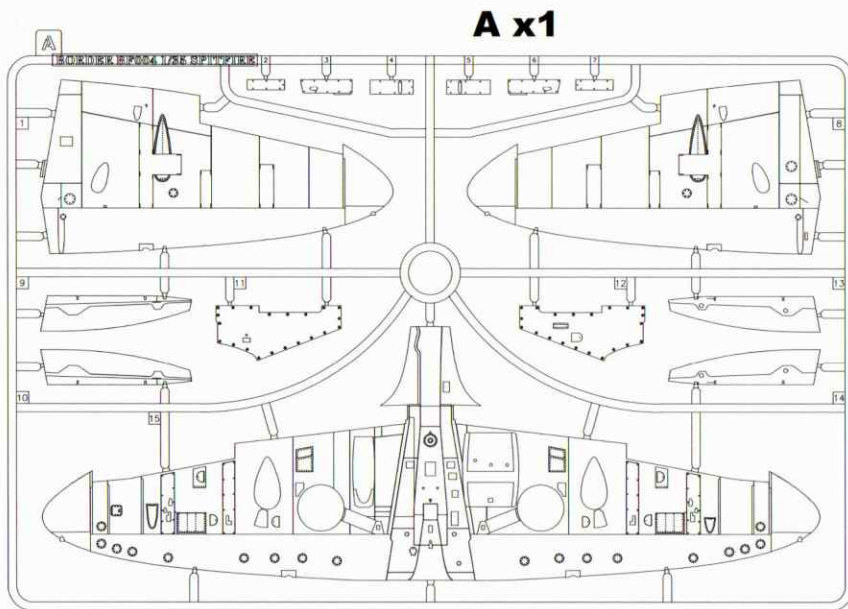
History | 历史介绍

SUPER MARINE SPITFIRE MK.VB

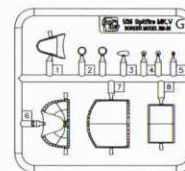
The Mk5 and Mk9 were the most widely produced Spitfires, with over 5,000 built, and the Mk5 was introduced in 1941 with a number of minor improvements, including a 1,140 hp Merlin engine for increased firepower, eight 7.7 mm machine guns, or two 20 mm cannons and four machine guns. The Mk5C also had the water cooler moved under the nose and could carry 228 kg of bombs. 6,479 Mk5s were built and were the mainstay of the British Air Force. In late 1940, the RAF predicted a new round of sustained high-altitude bombing of Britain by the German presence of the Ju 86P bomber. Development of a new engine Spitfire (Spitfire Mk VI) was begun, and before development was completed the Spitfire Mk V. The basic Spitfire V was the Merlin-engined Spitfire I, which had a take-off power of 1,440 hp and was fitted with a single-speed, single-stage mechanical supercharger. Carburetor improvements allowed pilots to do zero-G maneuvers without fear of losing fuel. A number of Mk I's and Mk II's were converted to Mk V's by Super Marlin.

喷火战斗机系列中产量最大的有Mk5和Mk9两种型别，均超过5000架。Mk5于1941年问世，细部改进颇多，装一台1140马力的“梅林”发动机，火力加强。可装8挺7.7毫米口径机枪，或2门20毫米机炮和4挺机枪。Mk5C还将水冷却器移到了机头下方，可带228千克炸弹。Mk5共生产了6479架，是英国空军的主力。1940年下半年，英国皇家空军预测德国会有存在感十足的Ju 86P轰炸机对不列颠进行新一轮的持续高空轰炸。此时开始研发对应这种情况搭载新型发动机的喷火（喷火Mk VI），而在战机研发未完成之前需要拿来应急的就是喷火Mk V。基本型的喷火V是装了梅林发动机的喷火I，这种引擎起飞功率达到了1,440马力，并且配备了单速单段机械增压。化油器改进使得飞行员可以做零G机动而不用担心断油。不少Mk I和Mk II都被超级梅林改装成了Mk V。

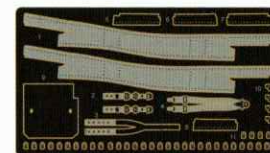




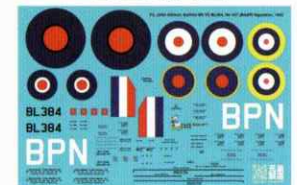
G x1



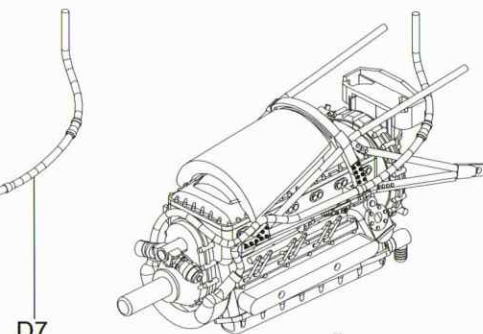
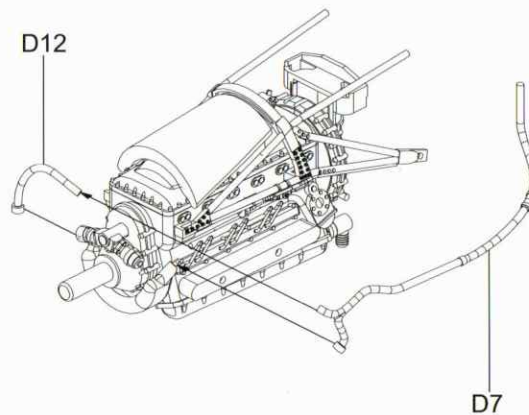
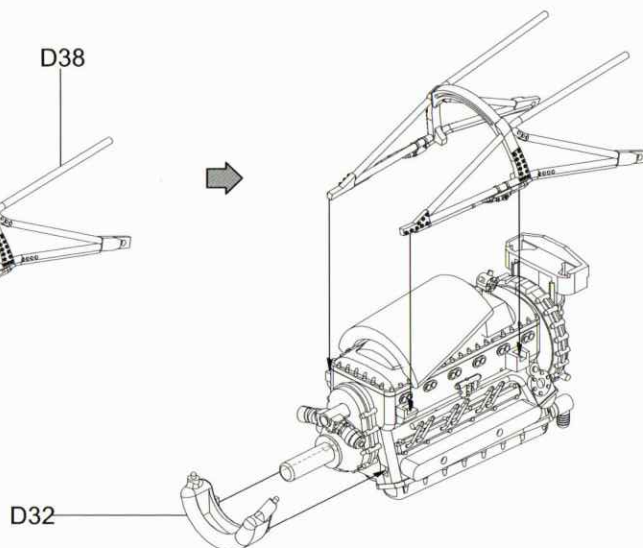
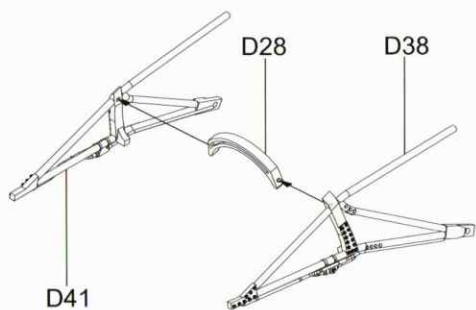
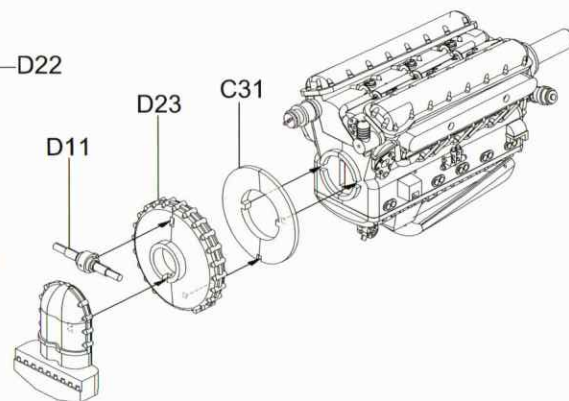
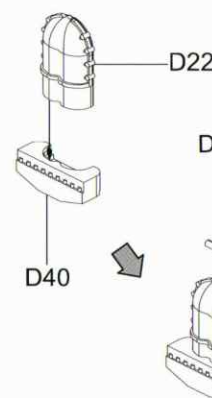
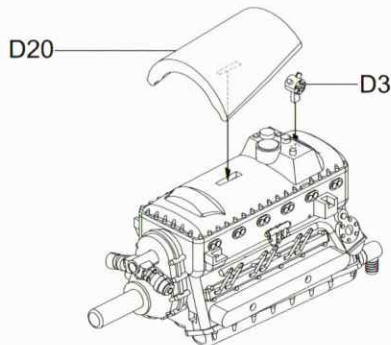
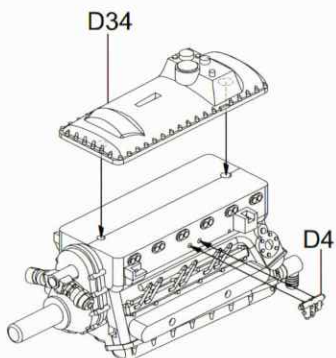
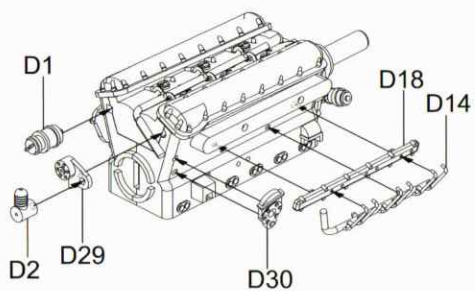
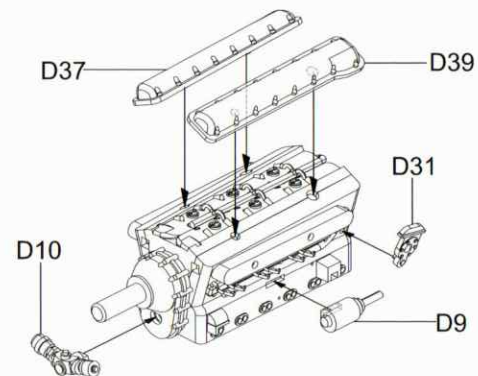
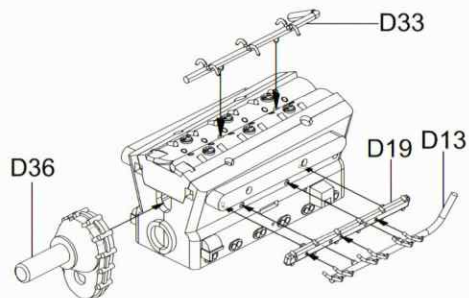
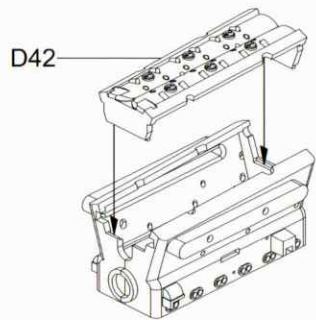
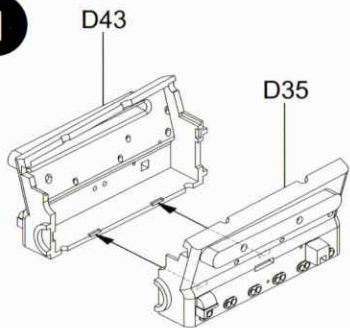
PE



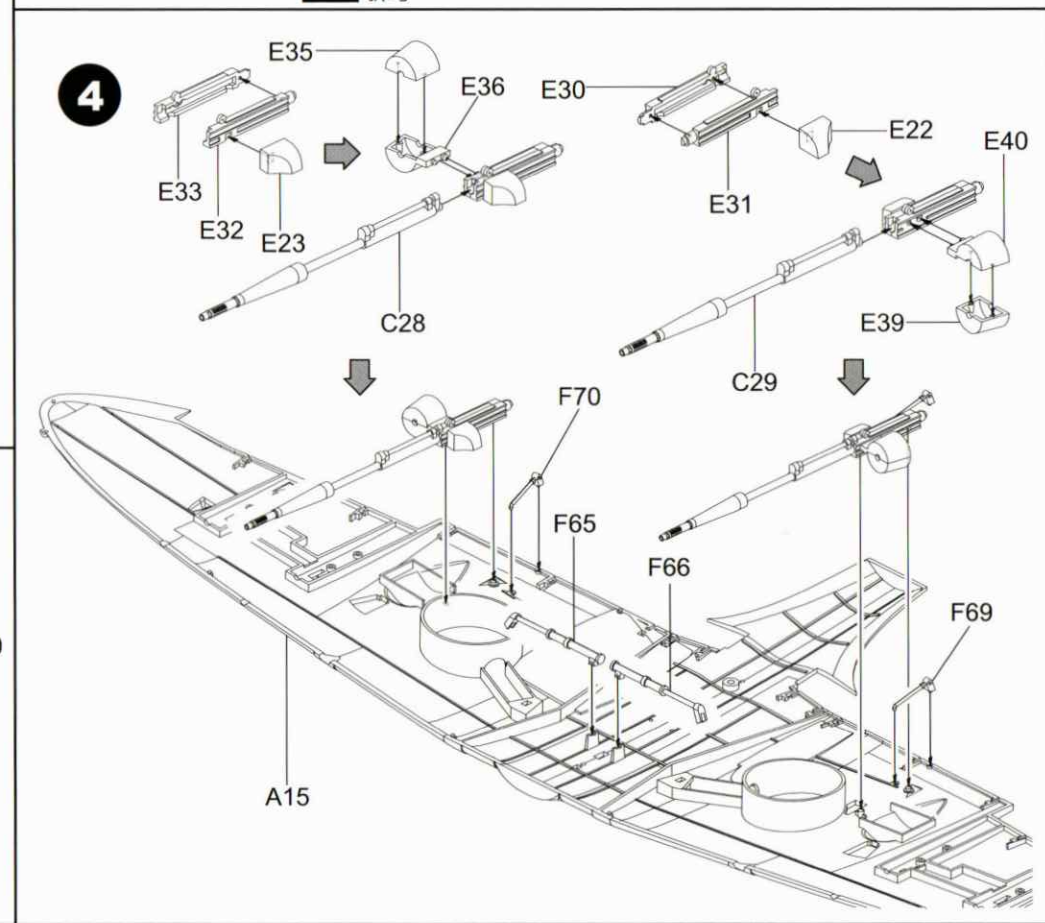
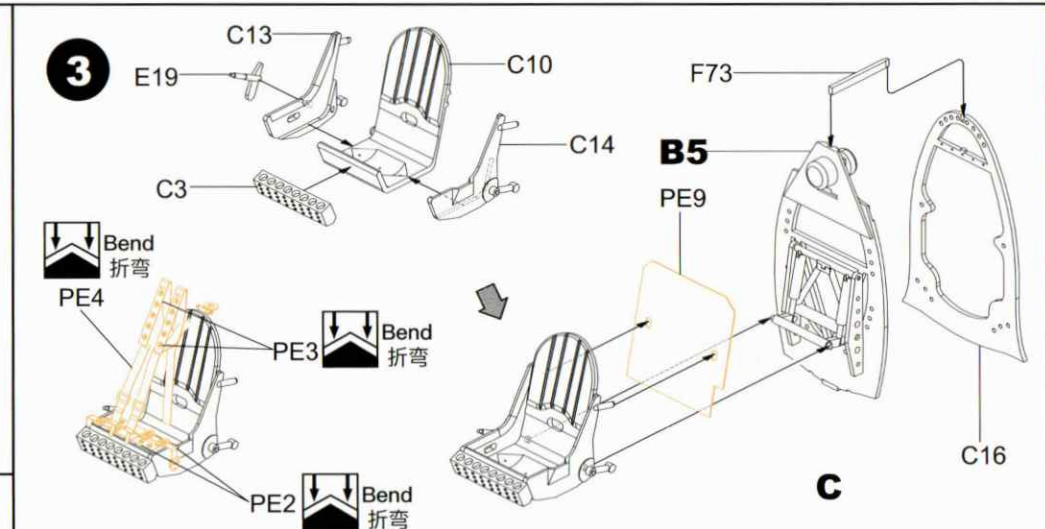
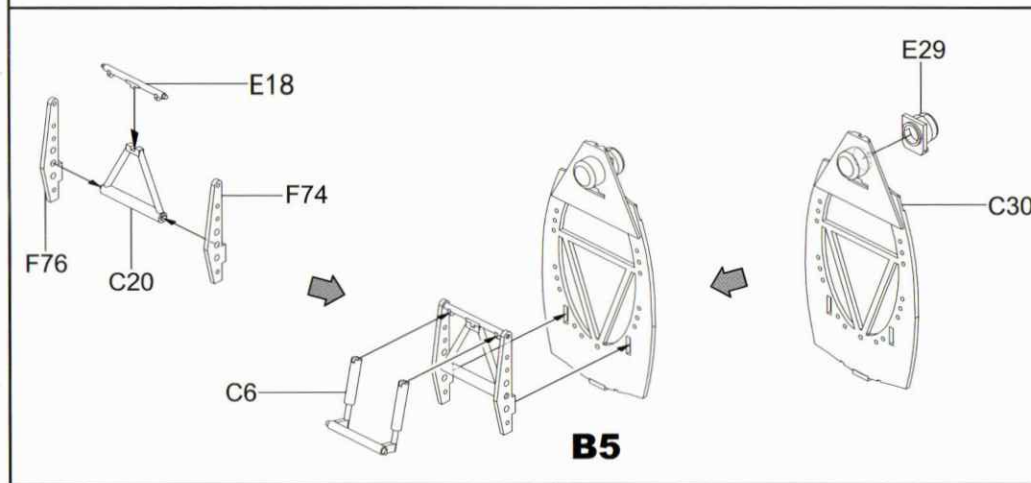
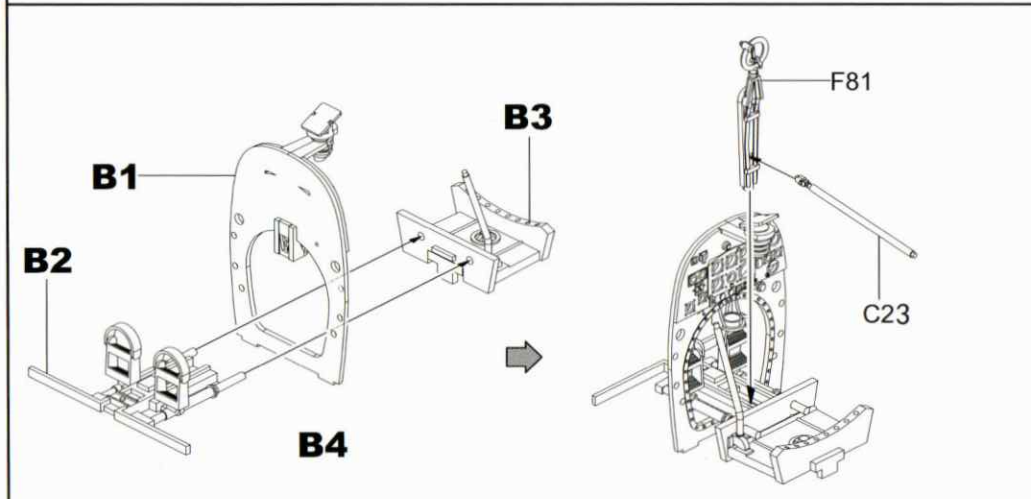
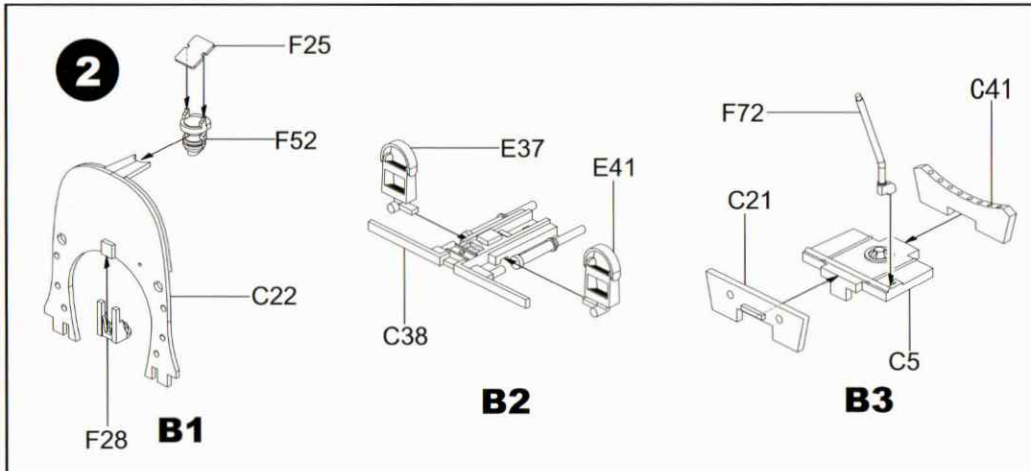
DECAL



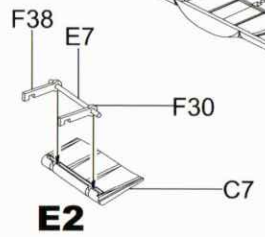
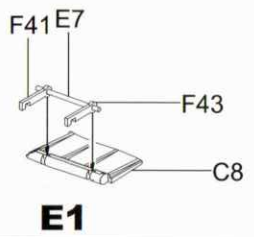
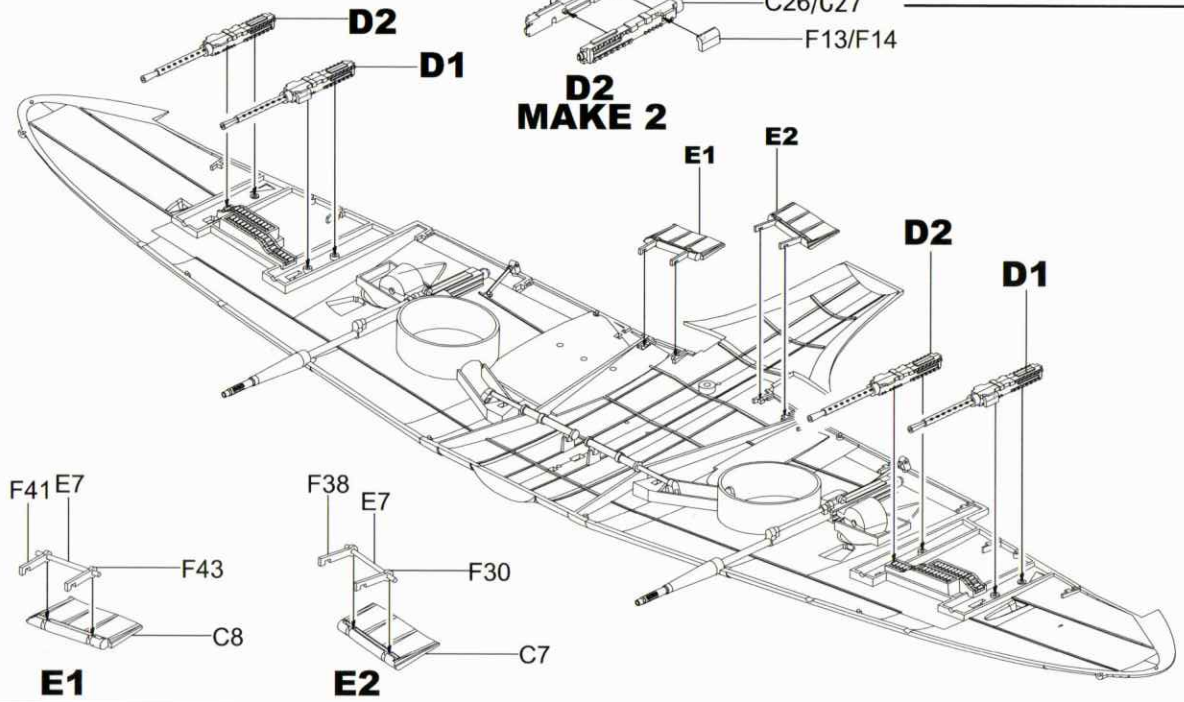
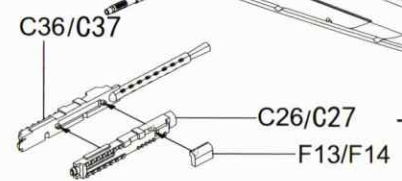
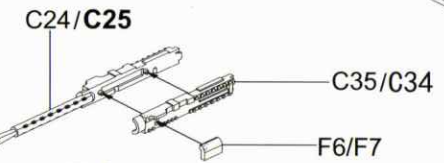
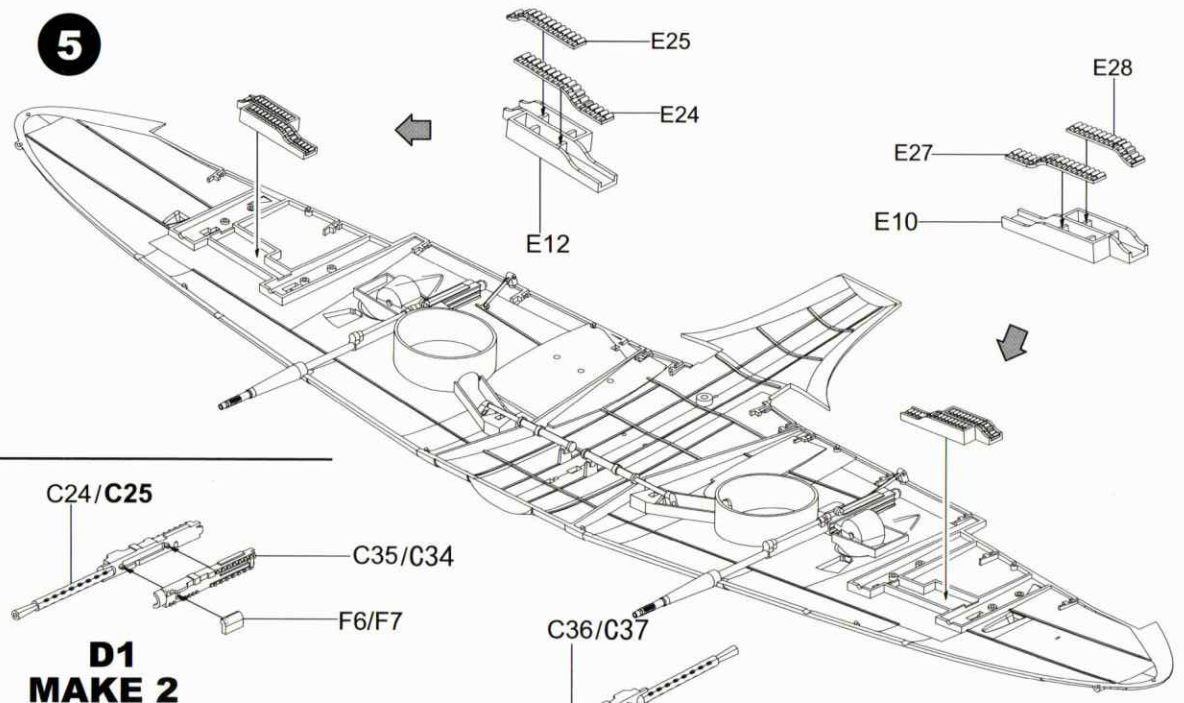
1



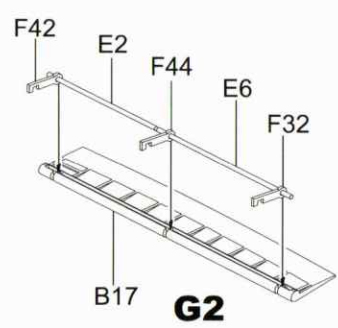
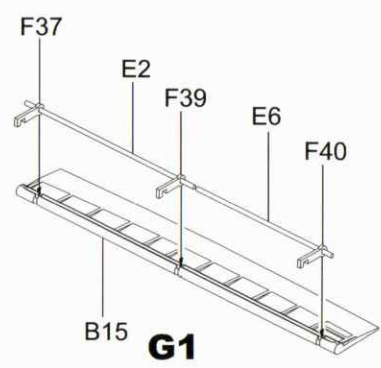
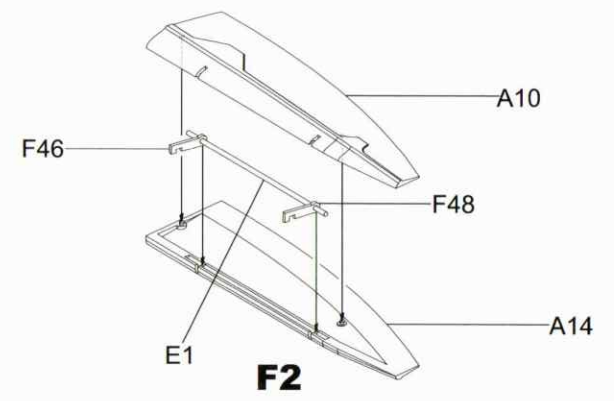
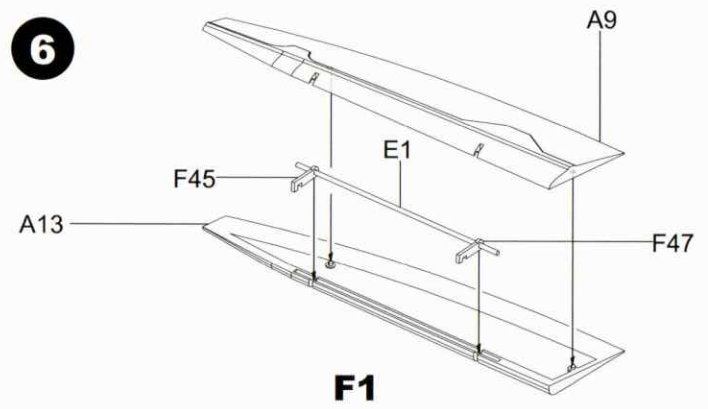
A



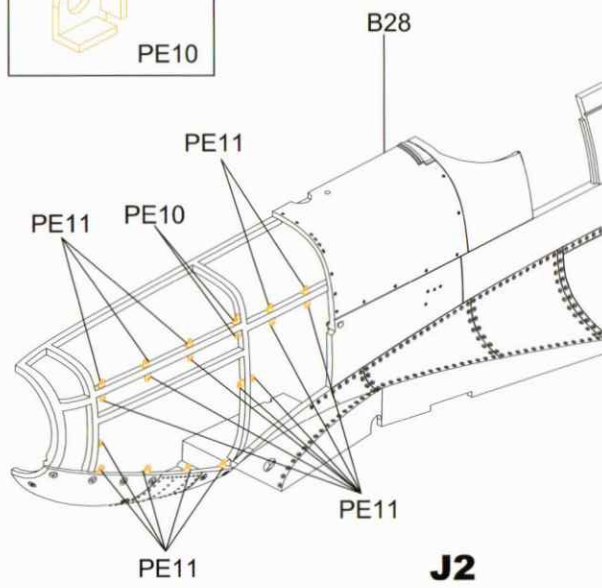
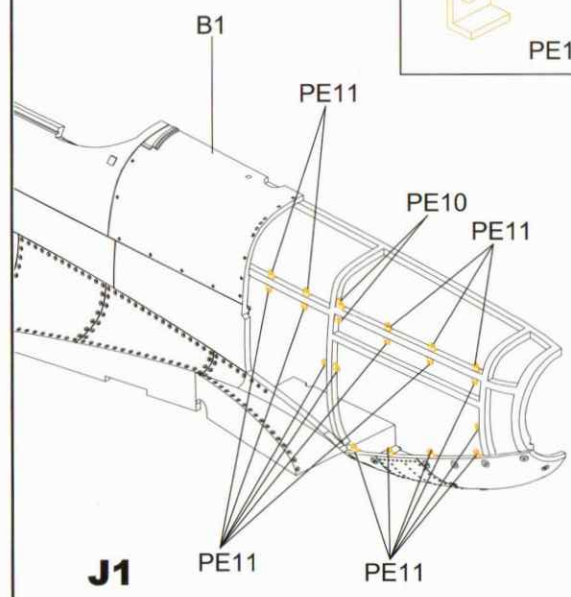
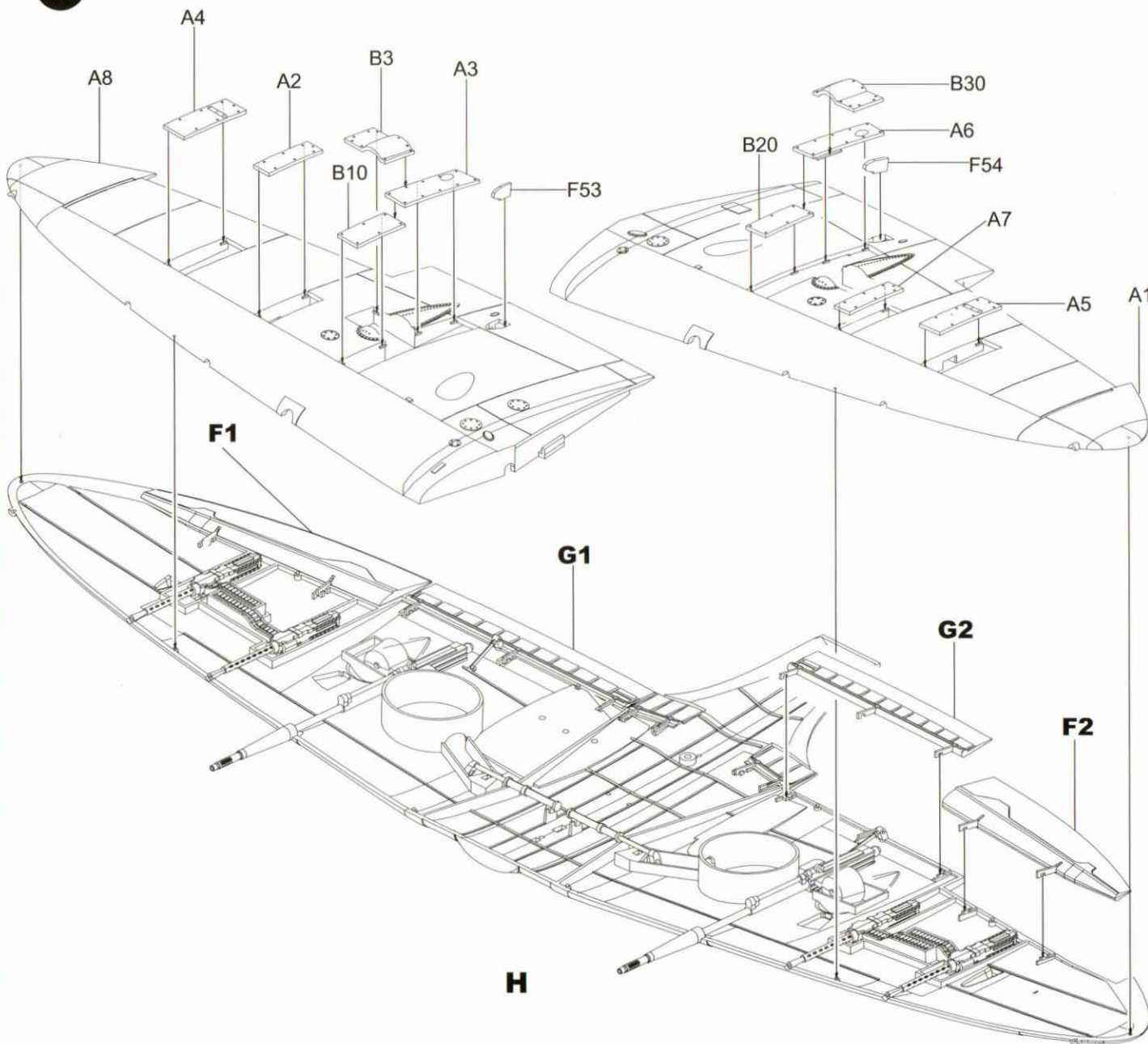
5



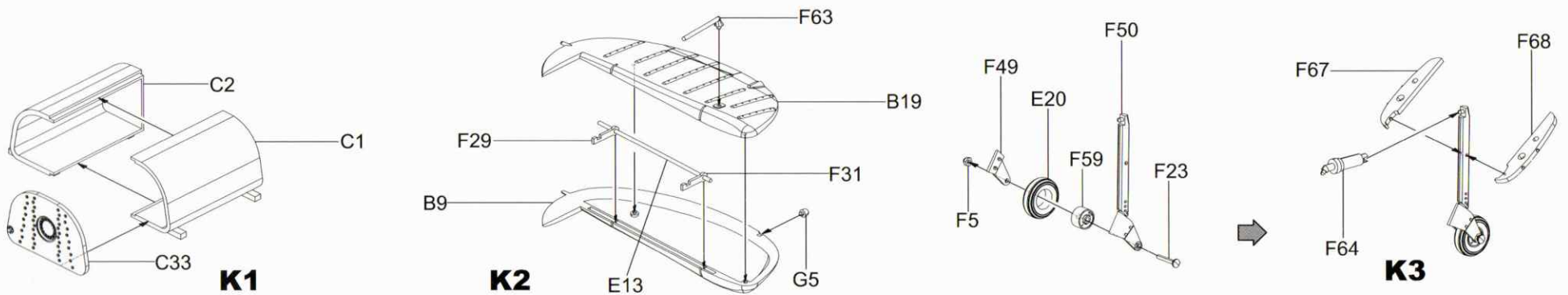
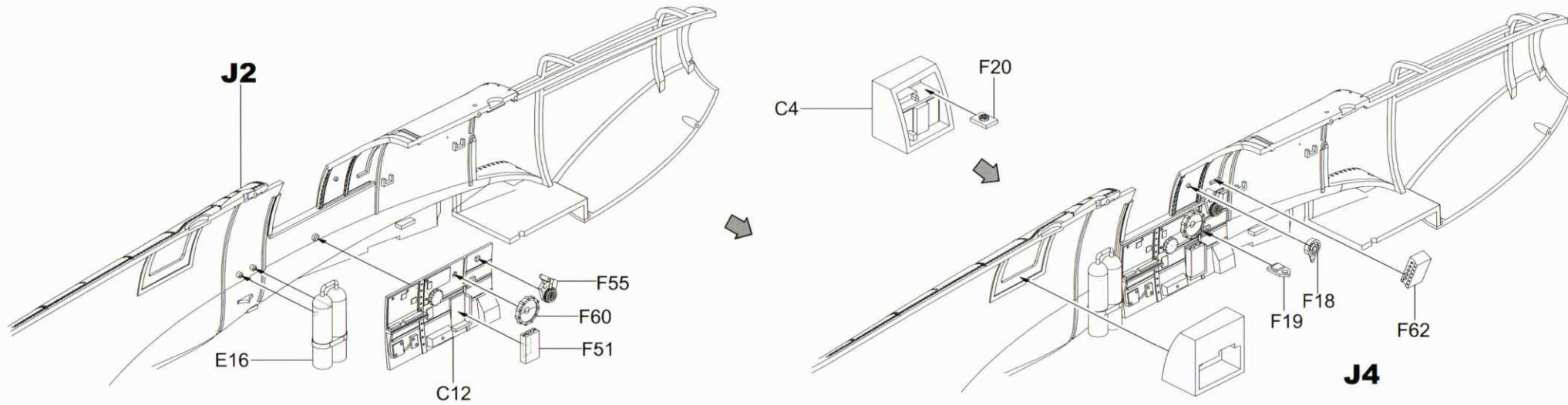
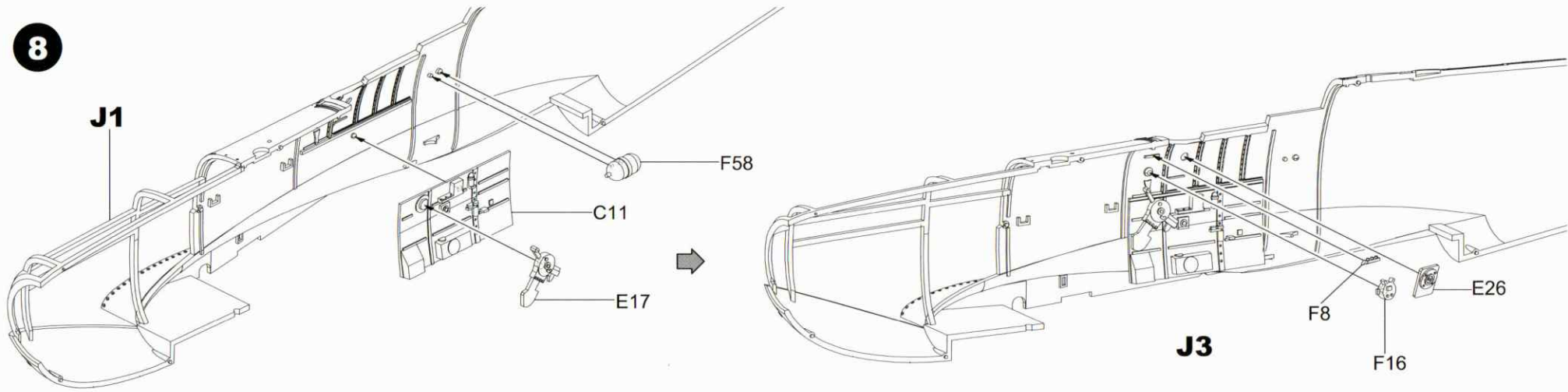
6



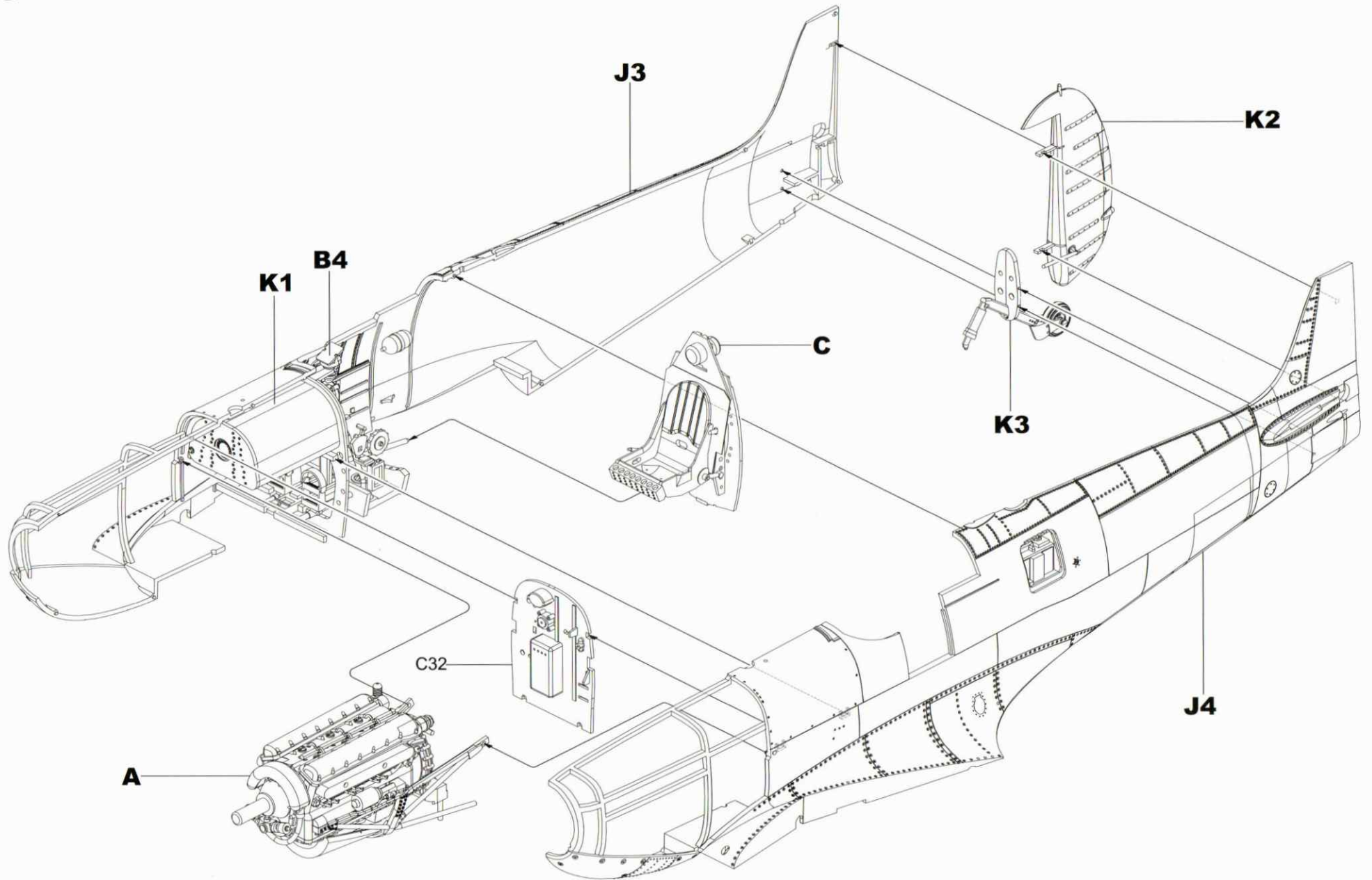
7



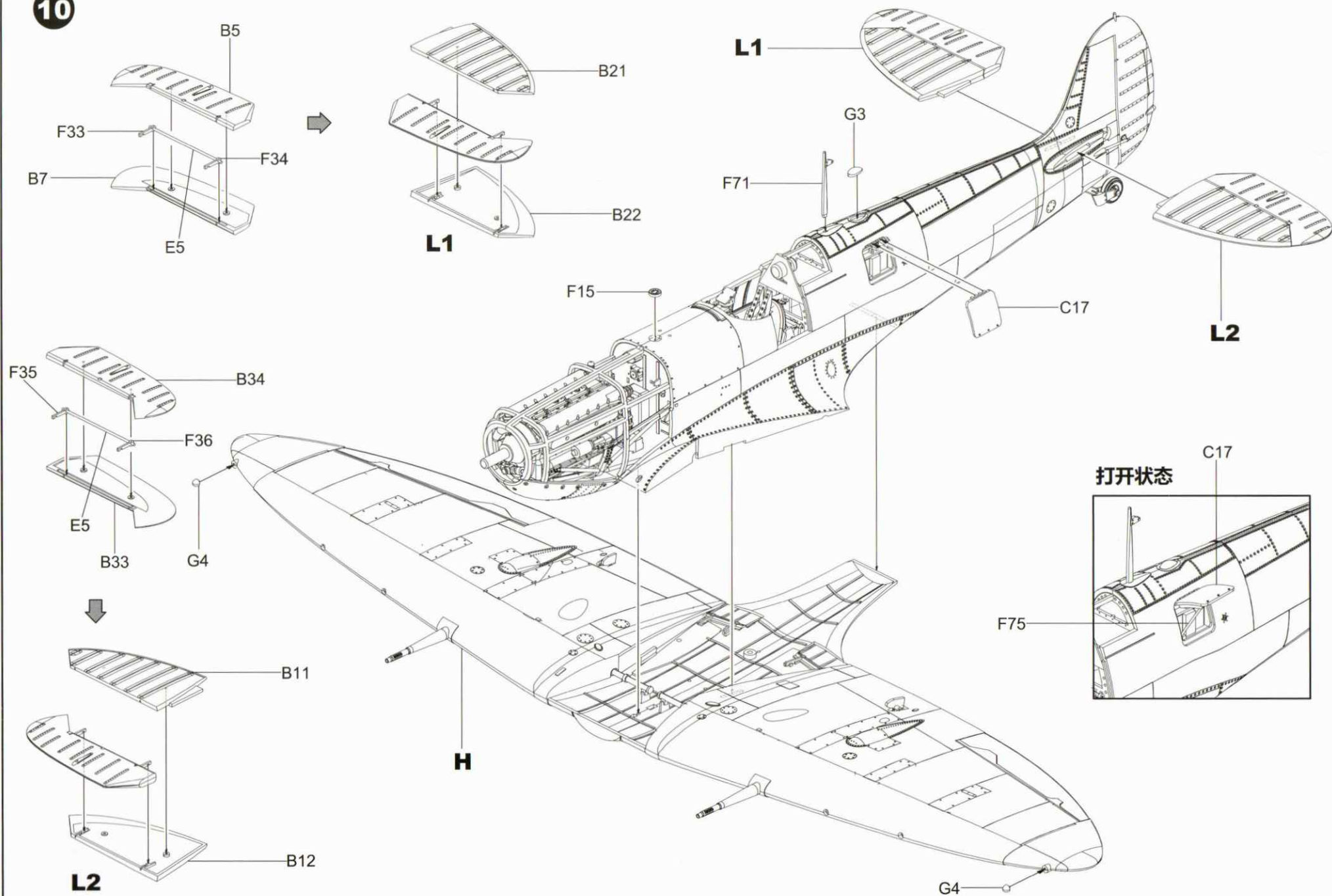
8



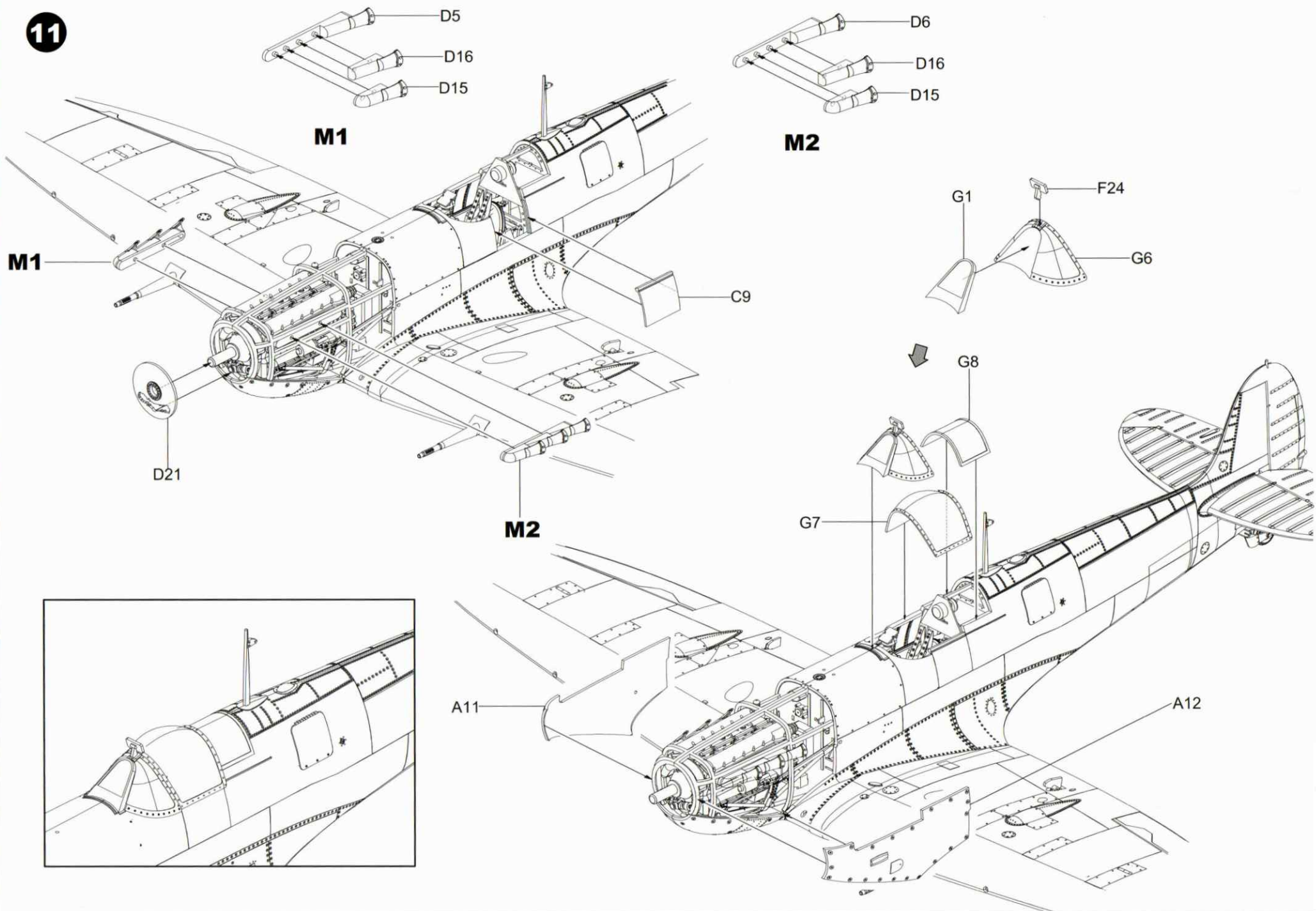
9



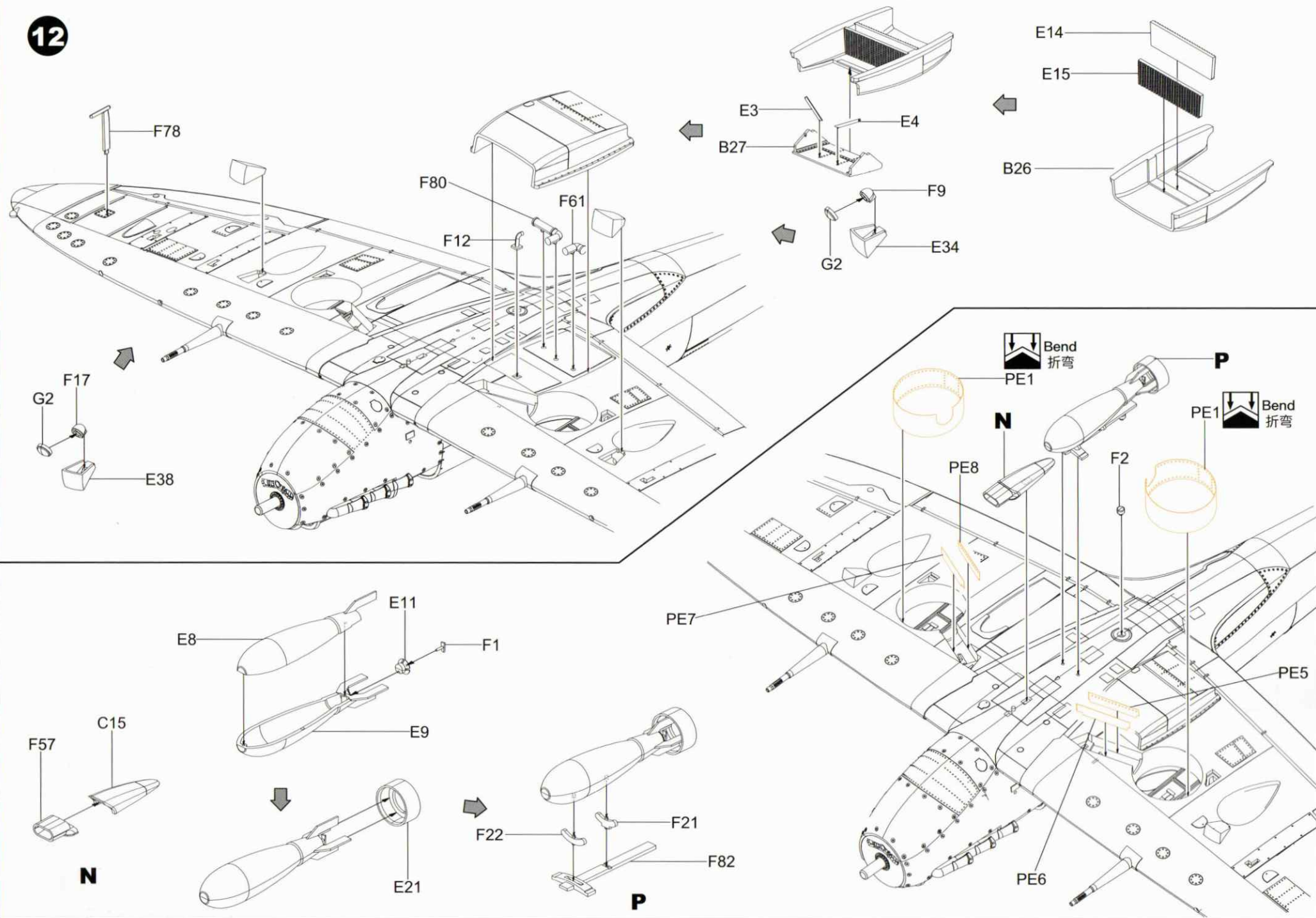
10



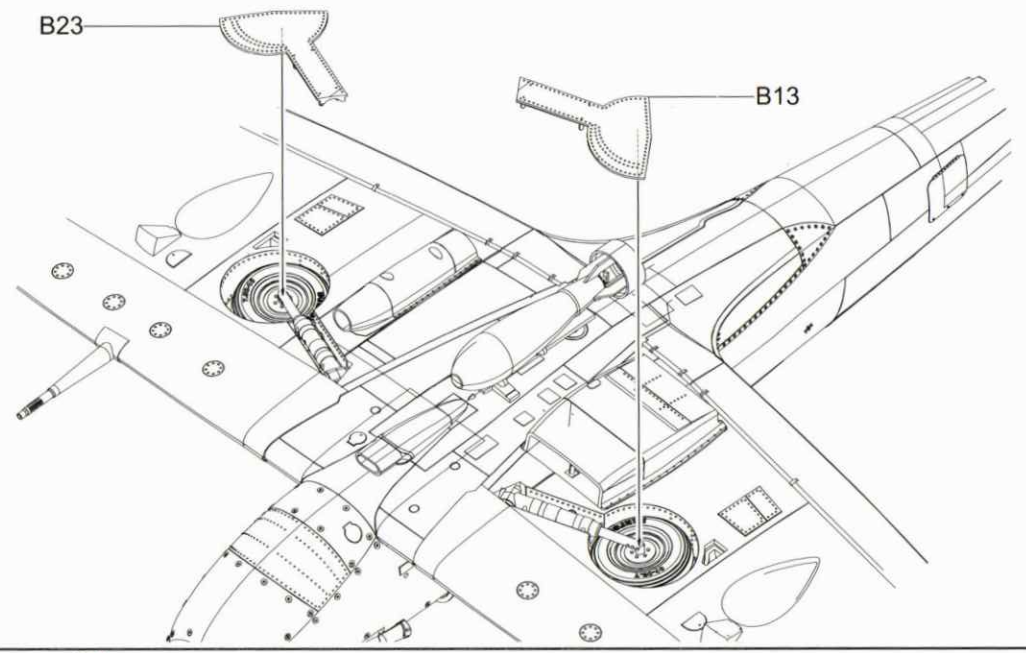
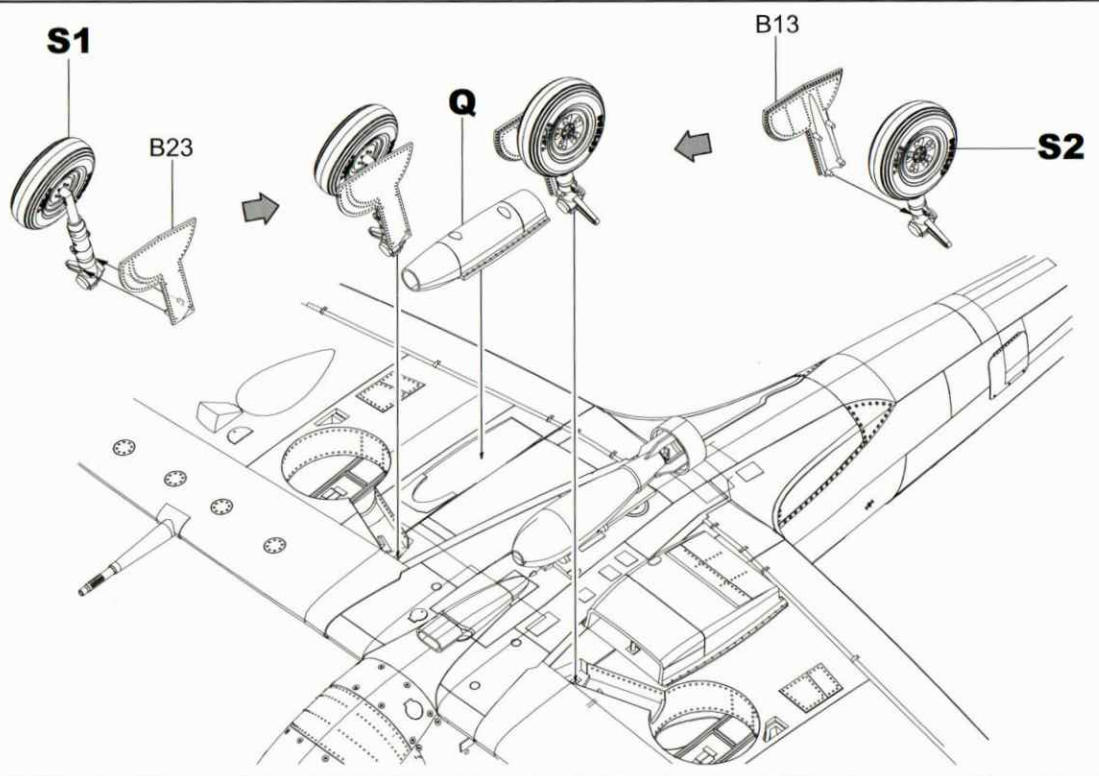
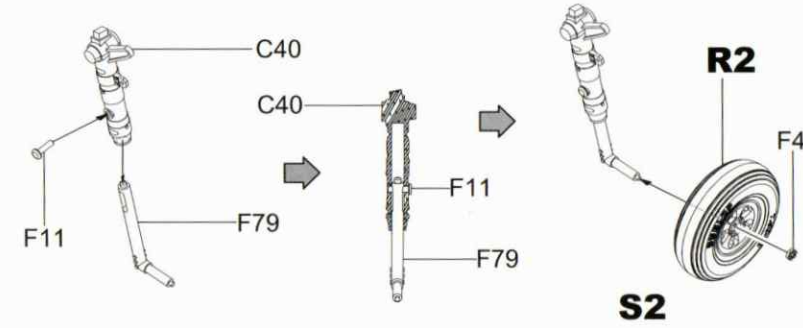
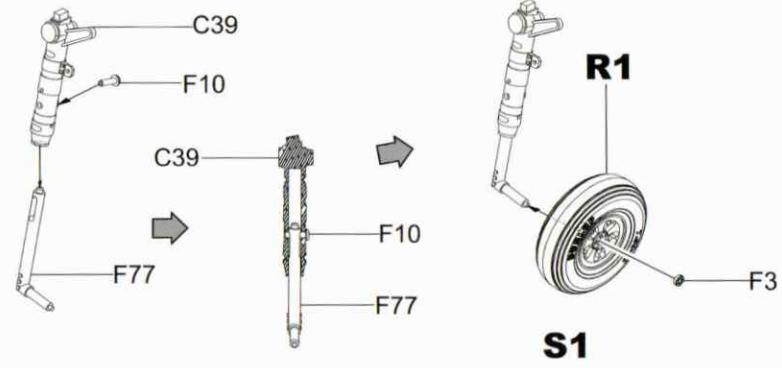
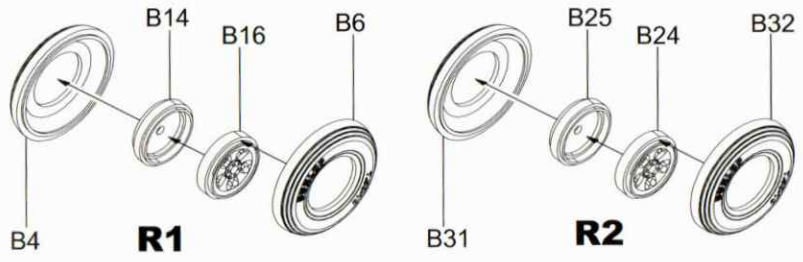
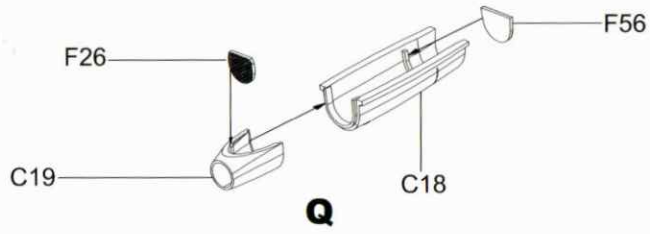
11



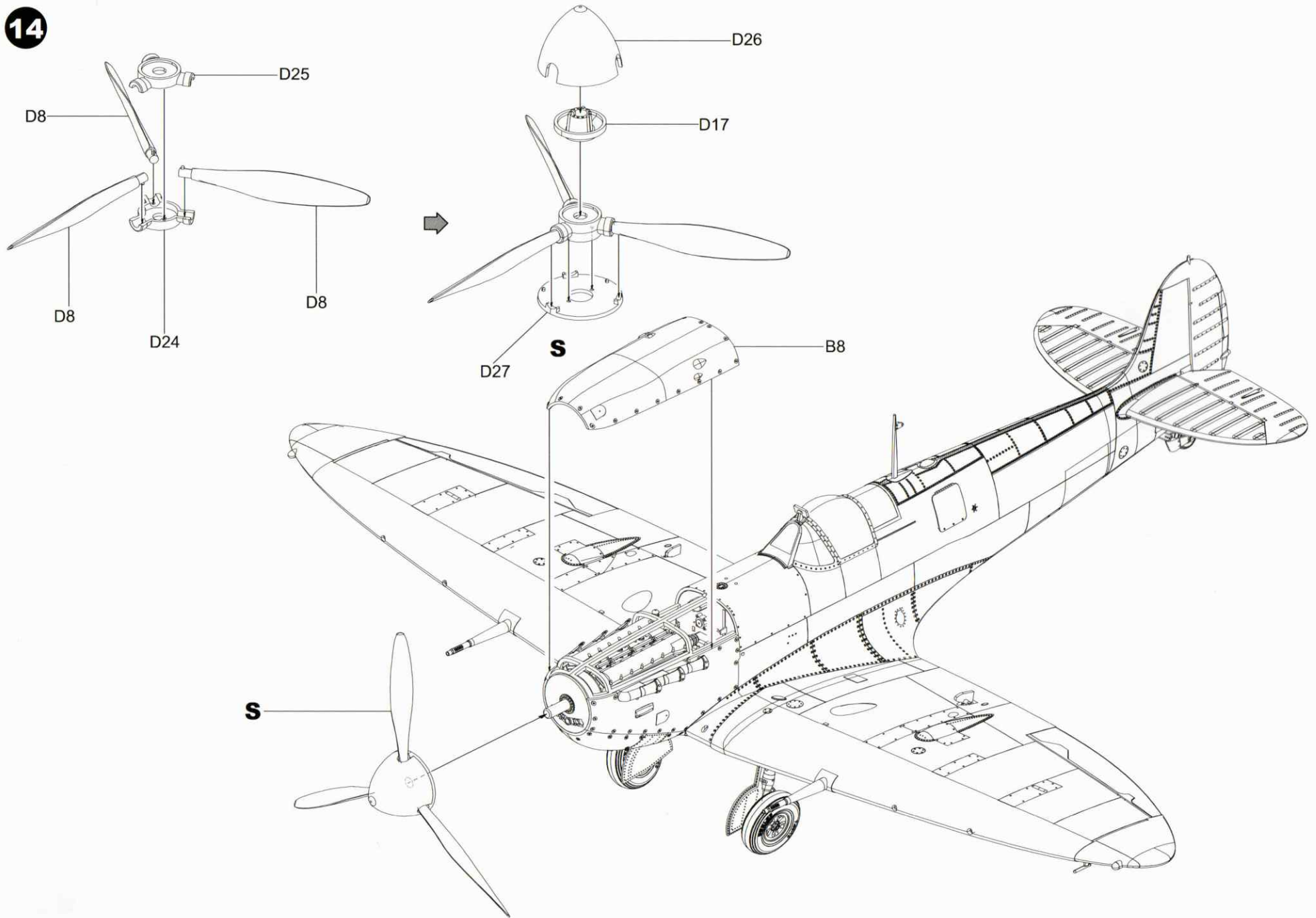
12



13



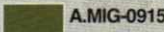
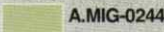
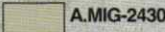
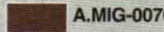
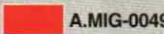
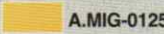
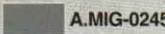
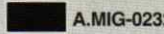
14



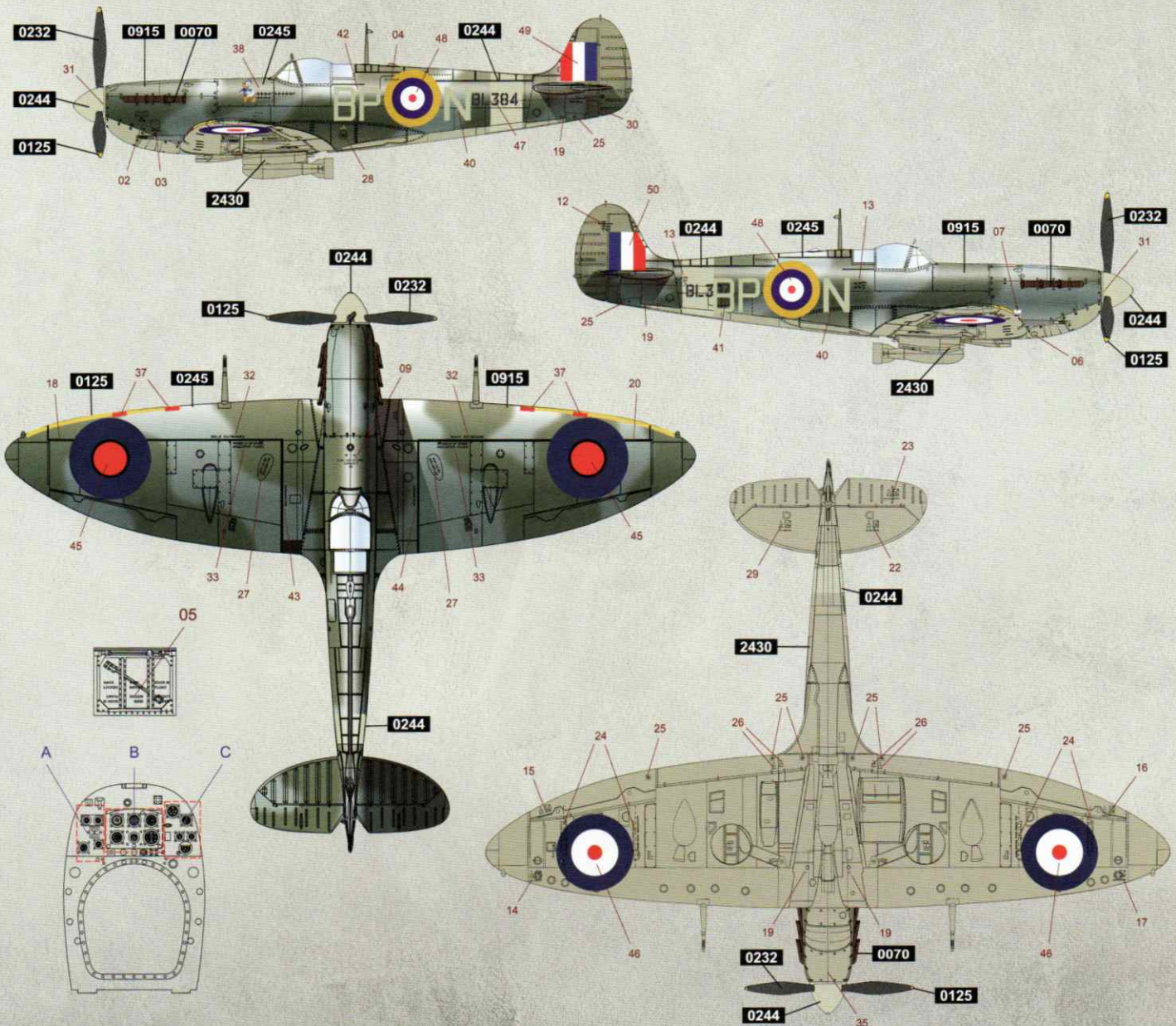
Spitfire Mk Vb BL384

PAINTING AND MARKING GUIDE

BORDER MODEL REF: XXXX

 A.MIG-0915 Dark Green (BS 241)	 A.MIG-0244 Duck Egg Green (BS 216)	 A.MIG-2430 Sky Type S (BS 210)	 A.MIG-0070 Medium Brown Dark Earth (BS 450)
 A.MIG-0049 RED	 A.MIG-0125 RLM 04 GELB Gold Yellow	 A.MIG-0245 Ocean Grey (BS 629)	 A.MIG-0232 RLM 70 Schwarztürn

FL John Gibson, Spitfire Mk Vb BL384, No 457 (RAAF) Squadron, 1942



WEATHERING STEPS WITH

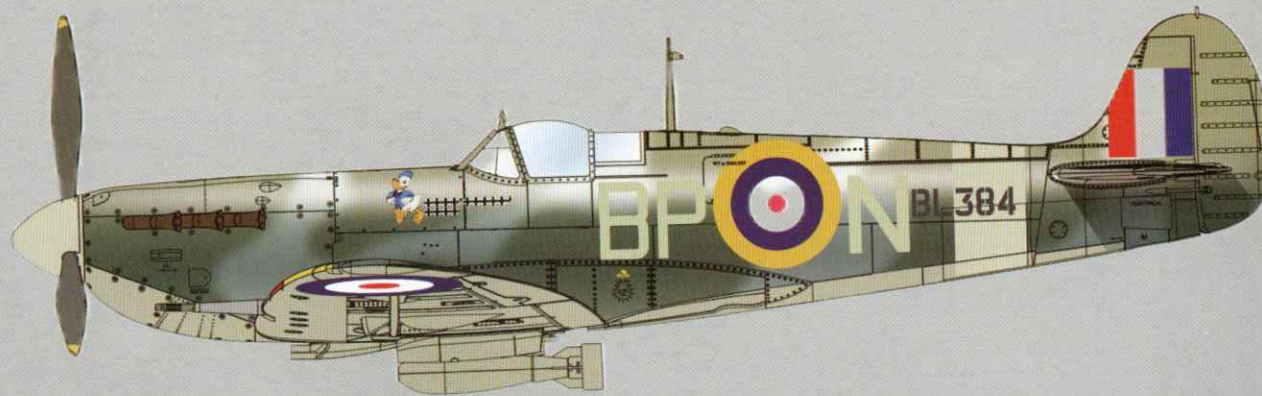
1 COCKPIT	3 PLW RLM76
A.MIG-0218 RLM 66 Schwartzgrau	A.MIG-1613 Panel Line Wash Blue Grey
2 INTERIOR WASH	4 PLW RLM74
A.MIG-1008 Dark Wash	A.MIG-1612 Panel Line Wash Green Brown

PRODUCTS

5 PLW RLM75	7 SHADERS RLM74
A.MIG-1611 Panel Line Wash Black Night	A.MIG-0866 Dark Green Shader
6 SHADERS RLM76	8 SHADERS RLM75
A.MIG-0861 Marine Blue Shader	A.MIG-0857 Navy Grey Shader

9 PIGMENTS	10 FUEL STAINS
A.MIG-3011 Airfield Dust	A.MIG-1253 Streaking/brusher Grime

Border



WWW BORDERMODEL COM