

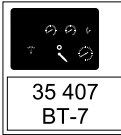
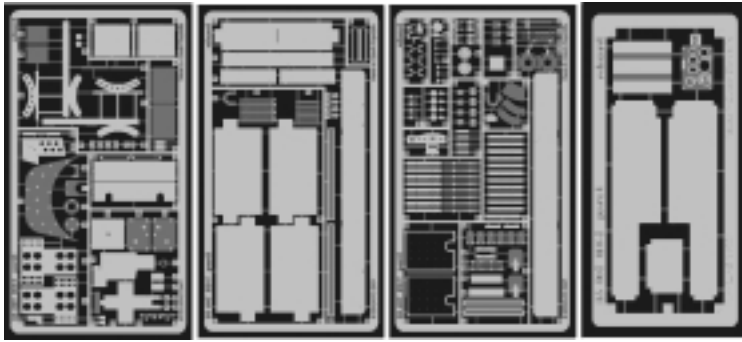


BT-7






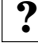
eduard

35 407

1/35 scale detail set for ZVEZDA 3545 kit • sada detailů pro model 3545 ZVEZDA 1/35

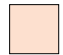


print

-  SYMMETRICAL ASSEMBLY
SYMETRICKÁ MONTÁŽ
-  REMOVE
ODSTRANIT
-  BEND
OHNOUT
-  REPLACE
NAHRADIT
-  GRIND
OBROUSIT
-  OPTION
VOLBA

 ORIGINAL KIT PARTS
PŮVODNÍ DÍLY STAVEBNICE

 PHOTO-ETCHED PARTS
LEPTANÉ DÍLY

 PARTS TO BE REMOVED
DÍLY K ODSTRANĚNÍ

 FILL
TMELIT

Top Left: Assembly of part B9 (replace) and B41 (bend). Part 63 is bent. Part 77 is an option. Part 81 is plastic. Part 80 is a photo-etched part.

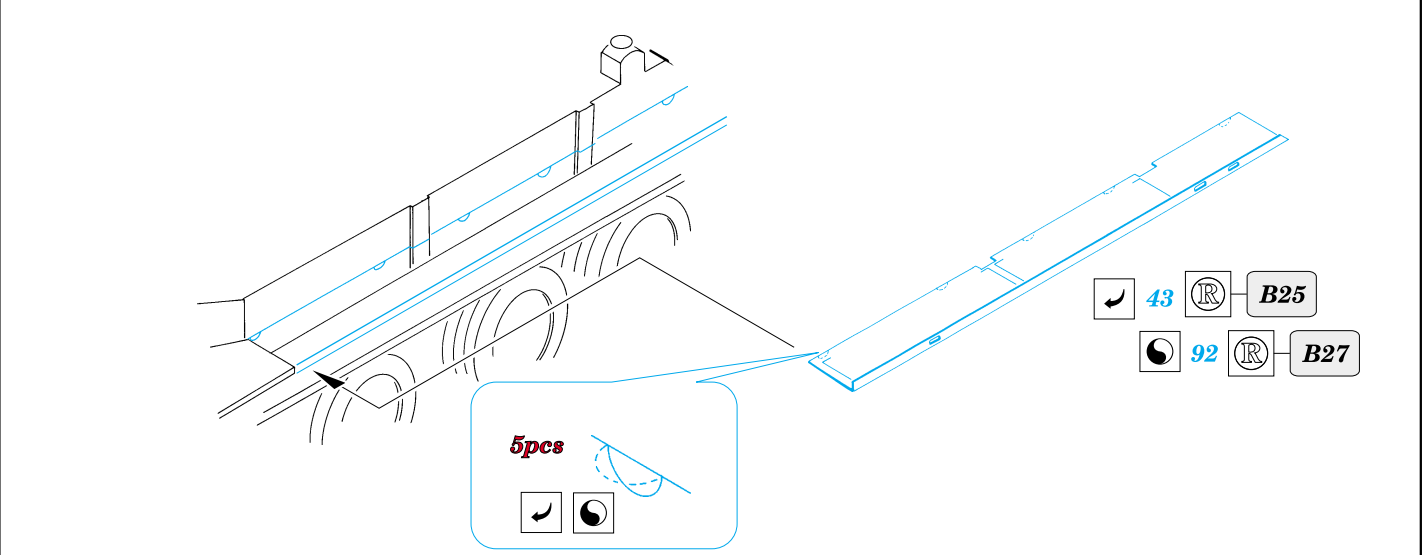
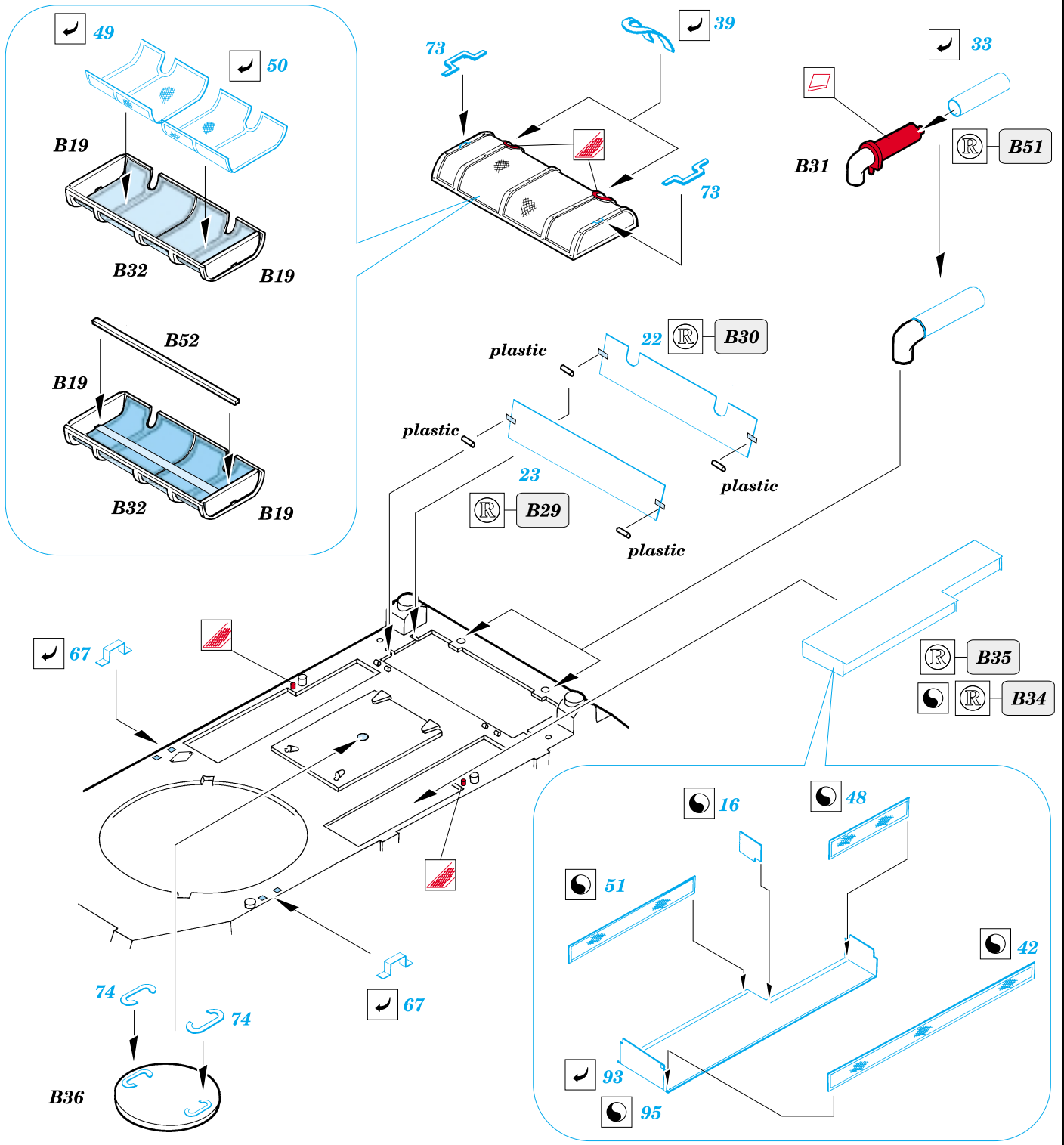
Top Middle: Assembly of part B13 (bend) and part 94 (bend). Part 97 is a printed part.

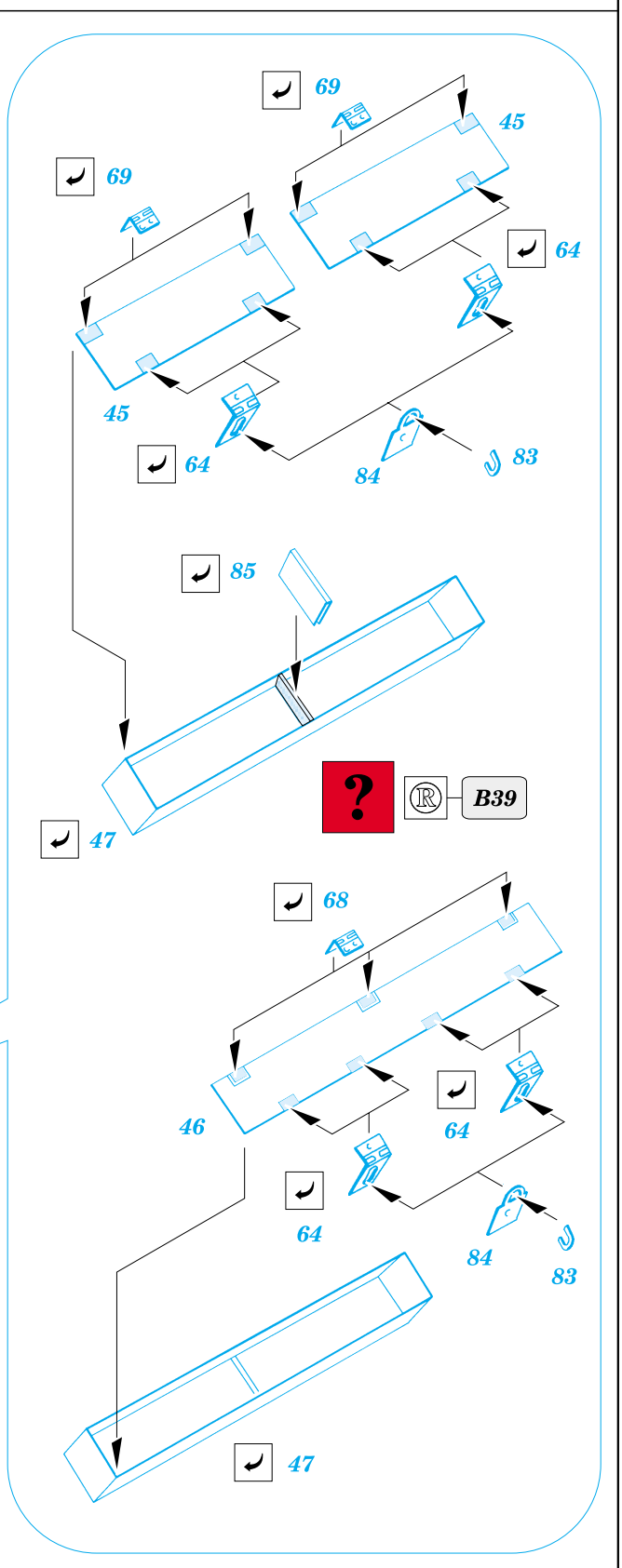
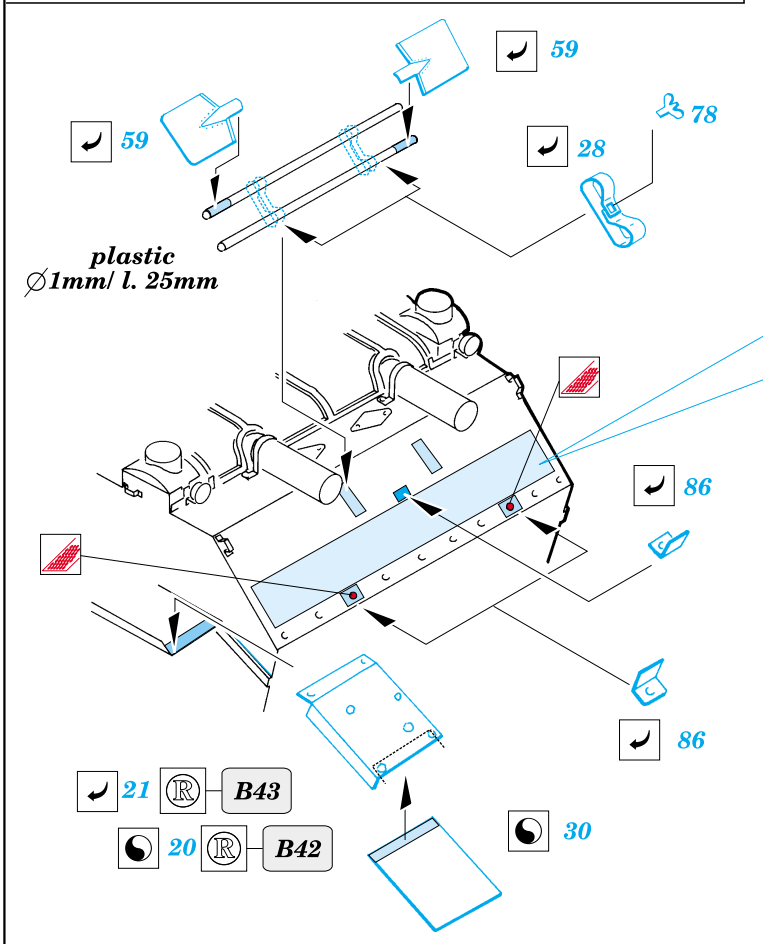
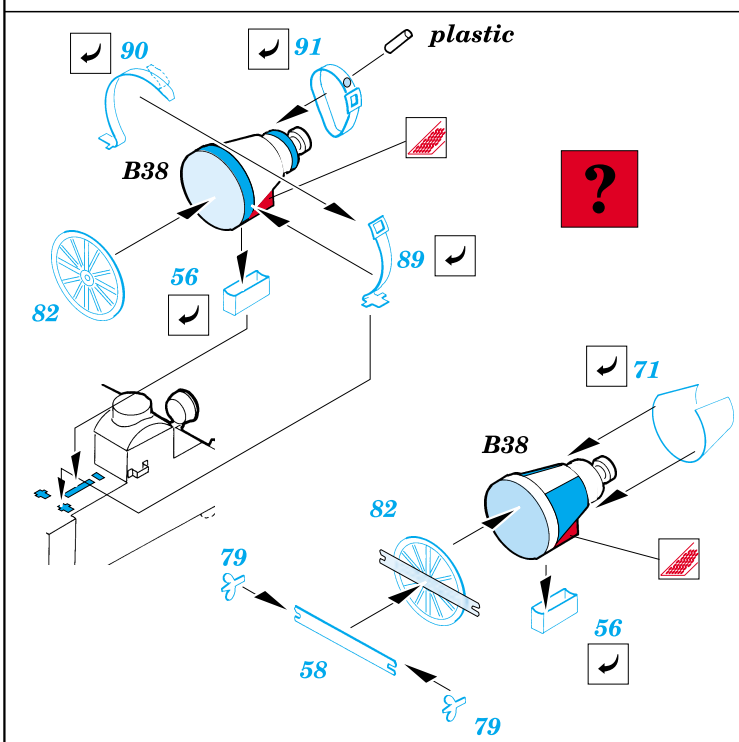
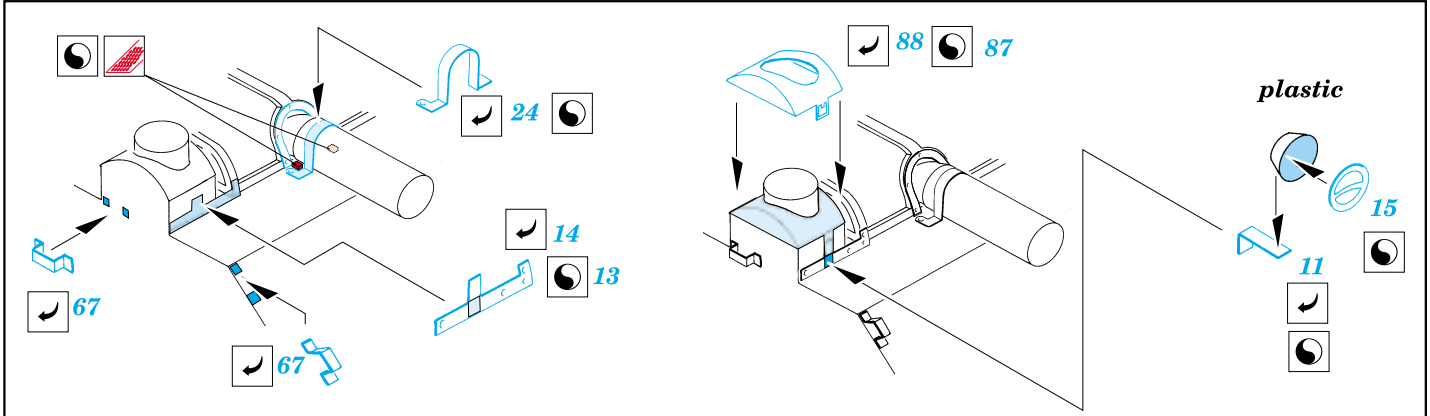
Top Right: Assembly of part C7 (symmetrical), C8 (symmetrical), and C31 (symmetrical).

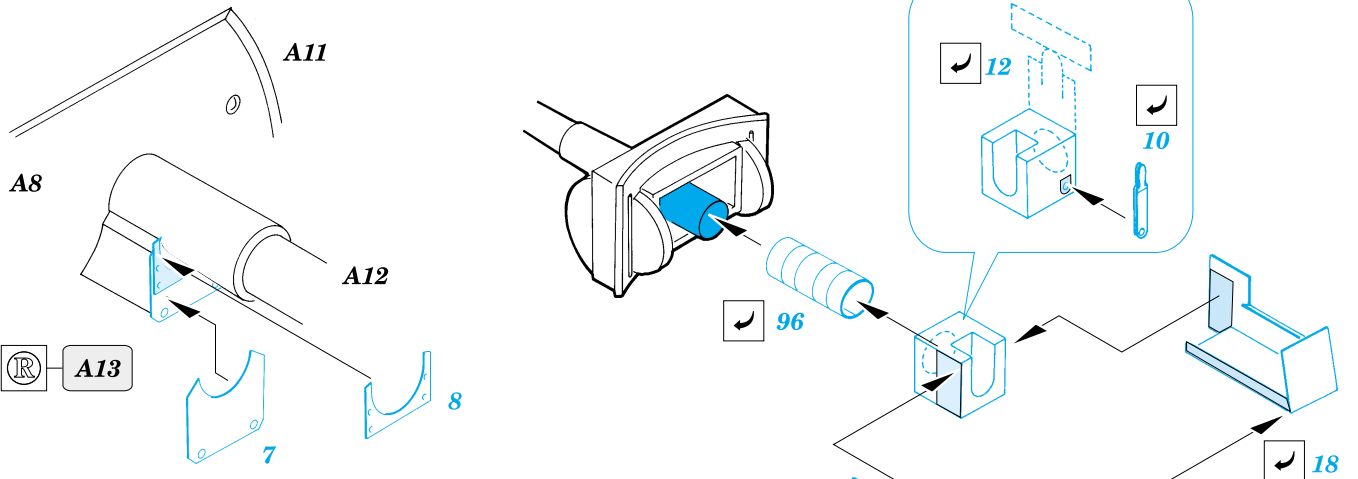
Middle Right: Assembly of part C15 (symmetrical) and part 32 (symmetrical).

Bottom Left: Assembly of parts 53 (bend), 54 (bend), 52 (bend), 55 (bend), and 73 (bend). Part B40 is shown in 'open' and 'closed' states.

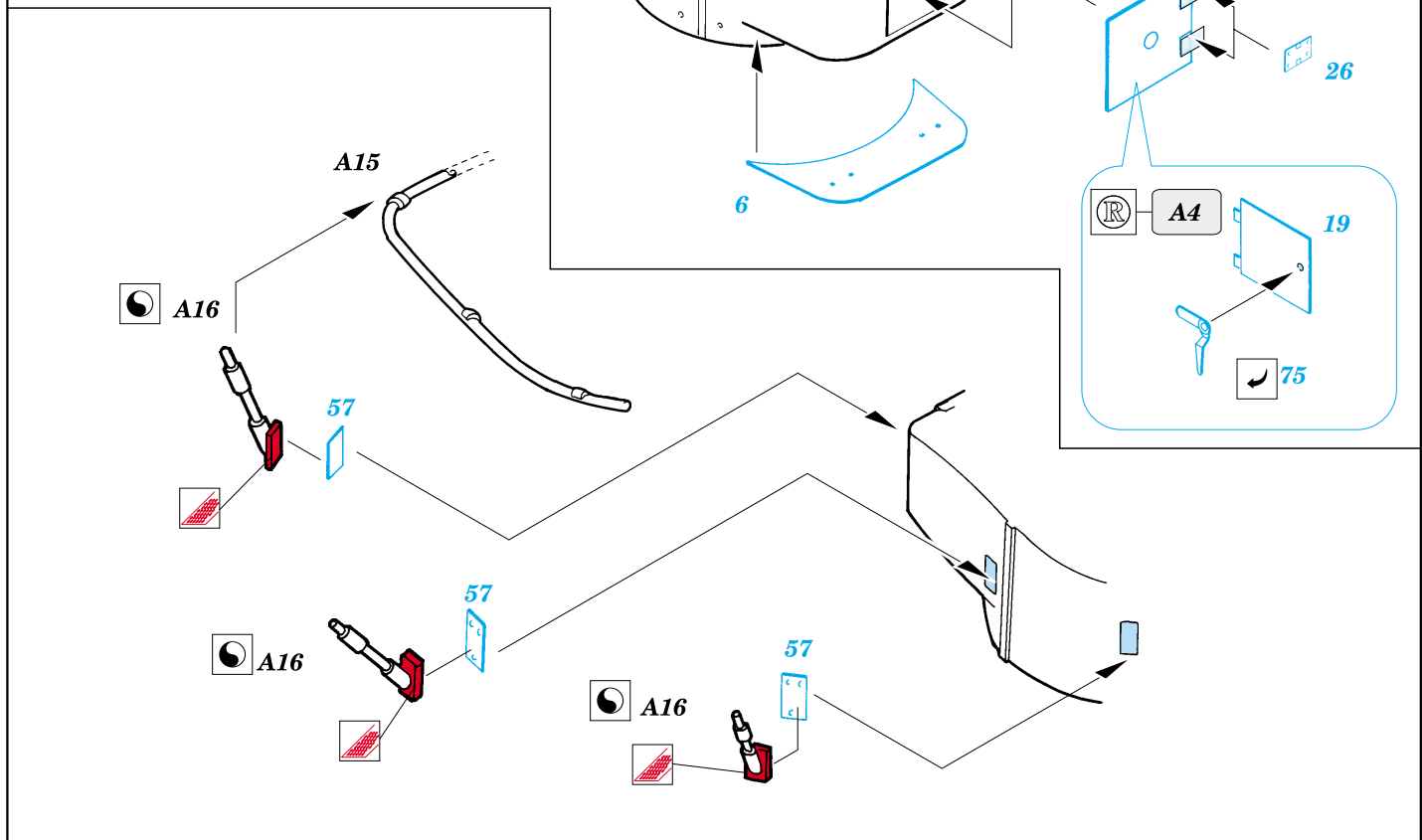
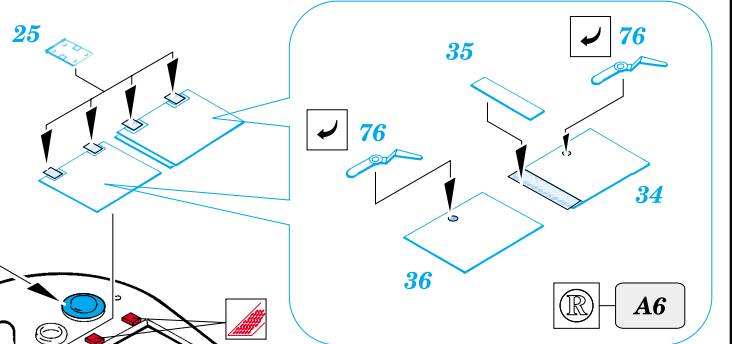
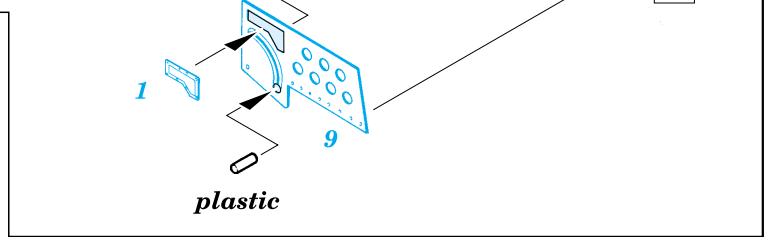
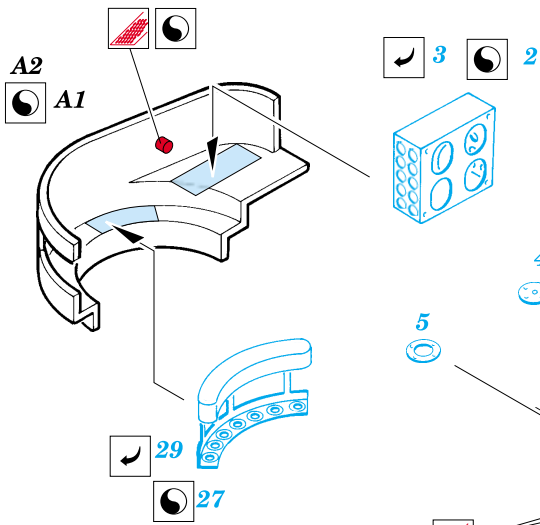
Bottom Right: Assembly of parts 72 (bend), 70 (bend), and B22 (replace). Part 17 is plastic.

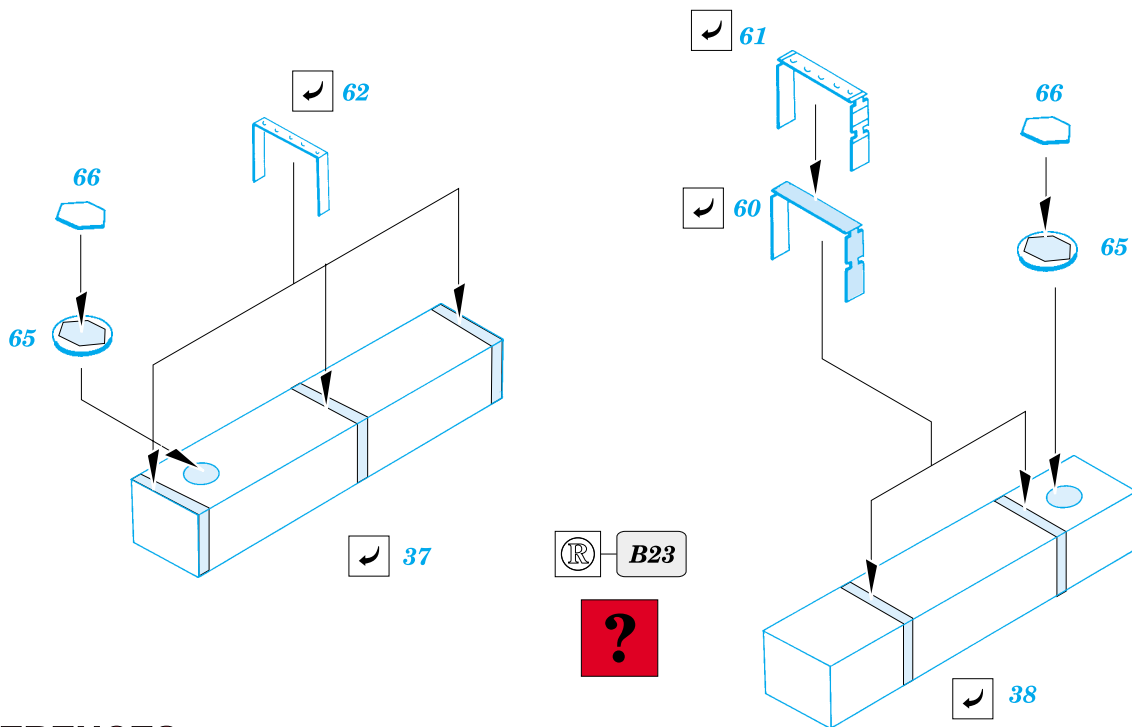
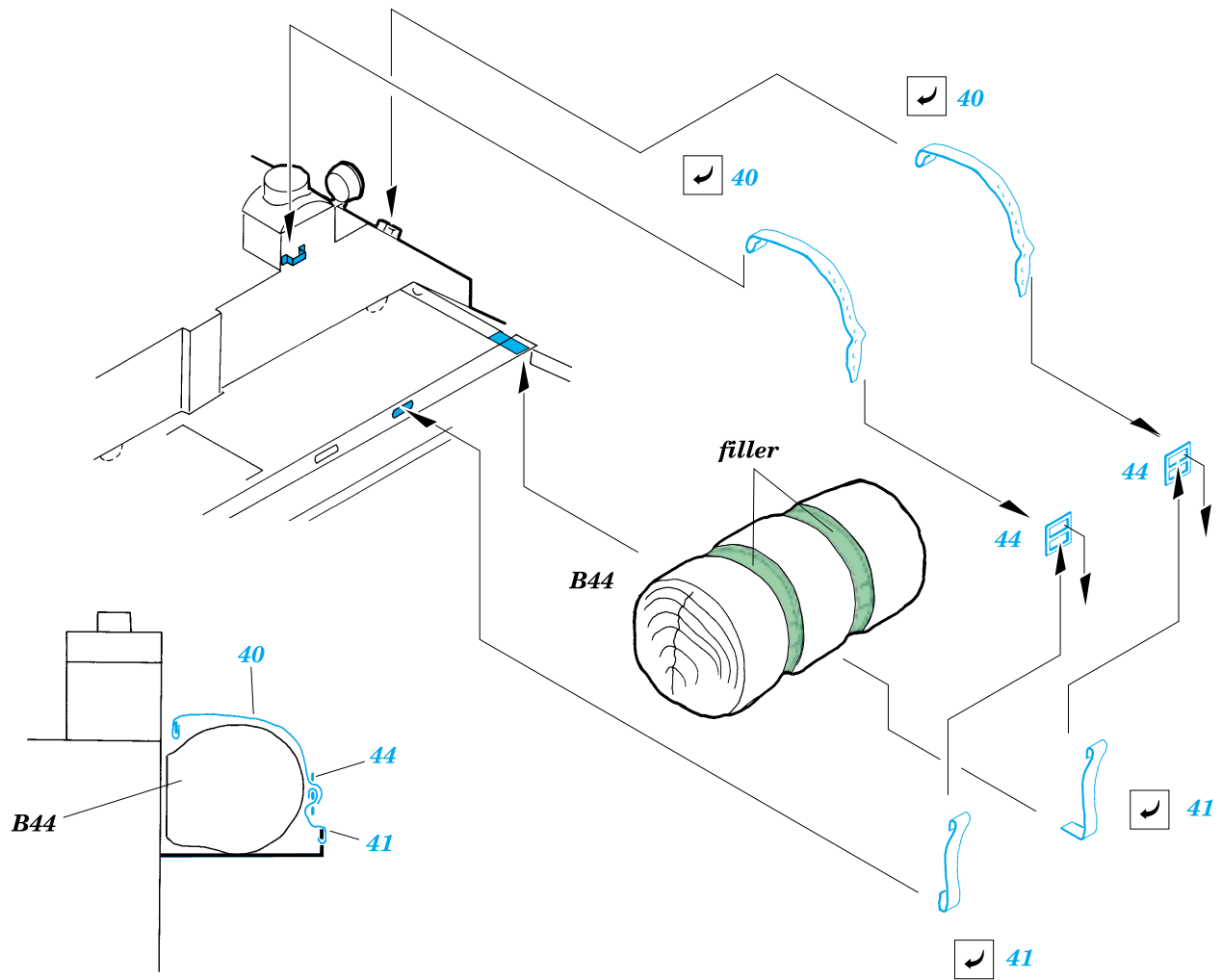






! if using ammunition box (#2,3), do not apply parts A15,A16





REFERENCES:

- MILITARIA 1998
- ARMADA # 17 / 1999
- CONCORD # 7019