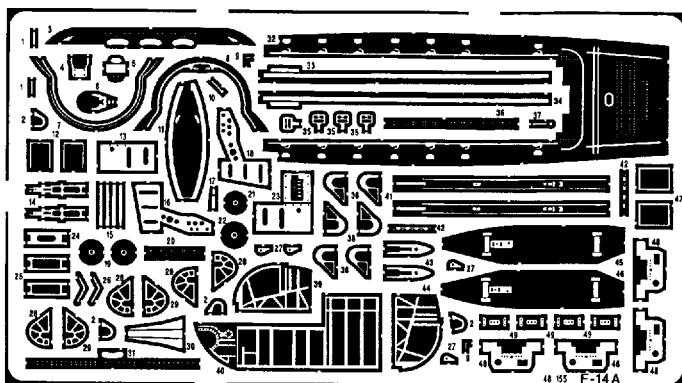




# Grumman F-14A Tomcat

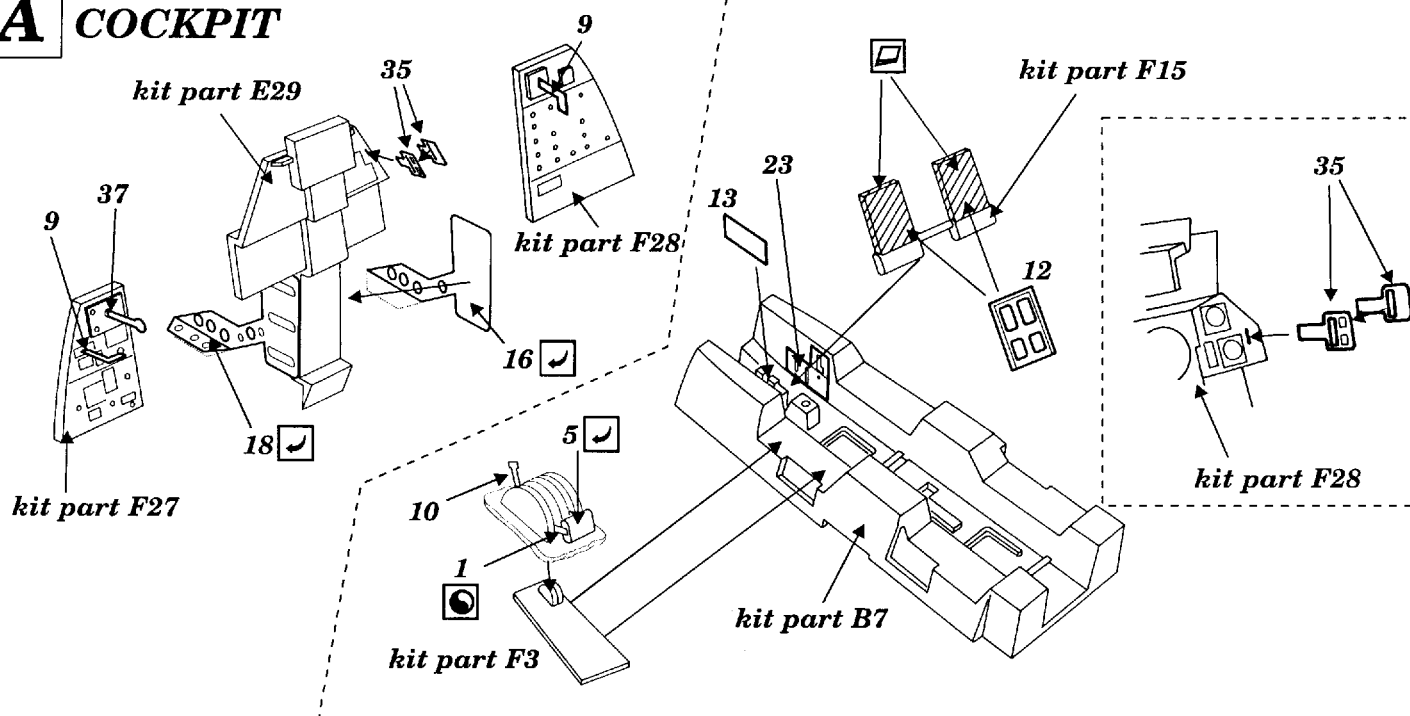
1/48 scale detail set for Hasegawa kit

48 155

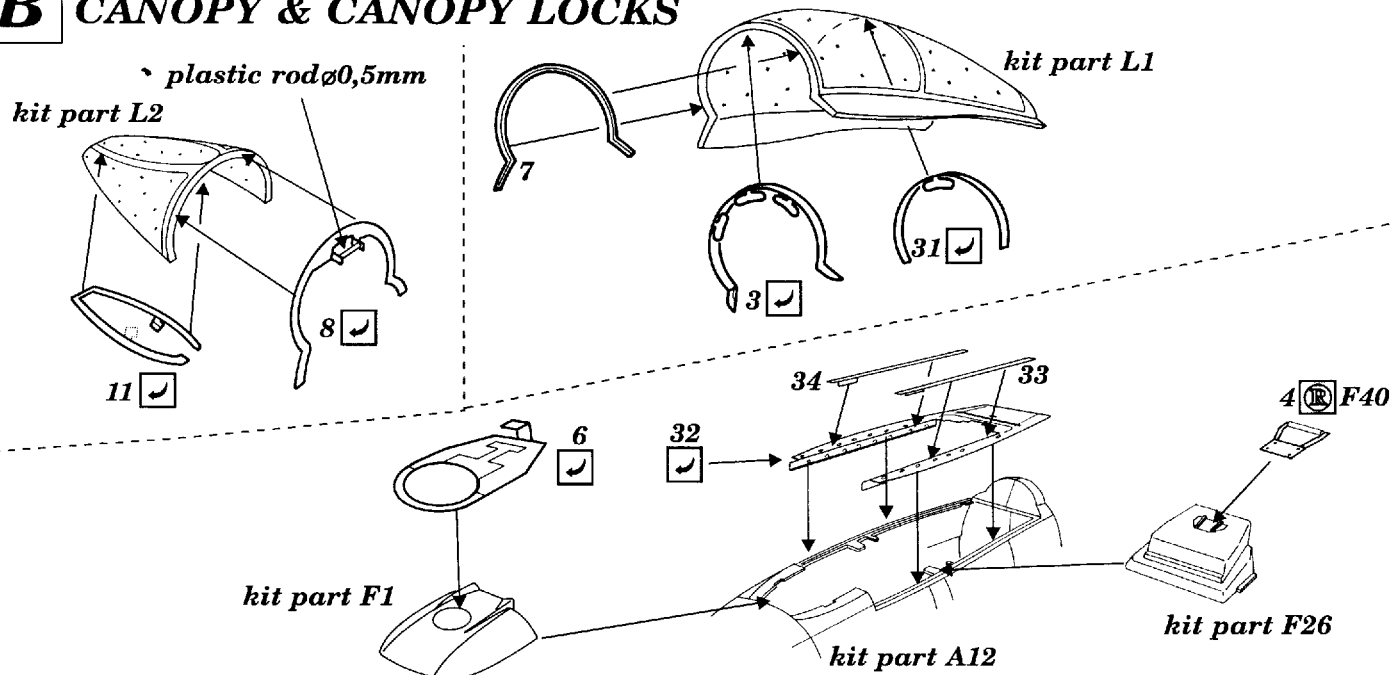


- OPPOSITE SIDE
- REMOVE
- BEND
- REPLACE
- GRIND

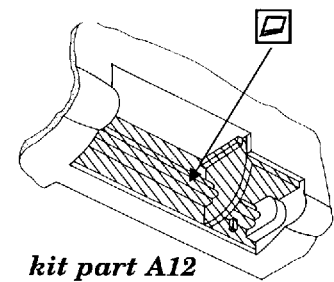
## A COCKPIT



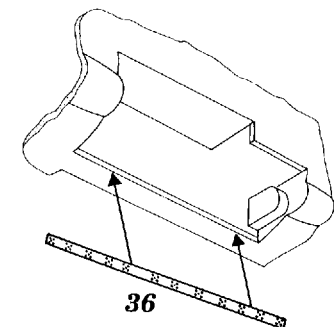
## B CANOPY & CANOPY LOCKS



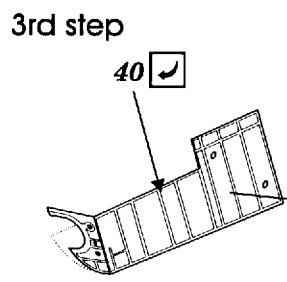
# C CANNON BAY



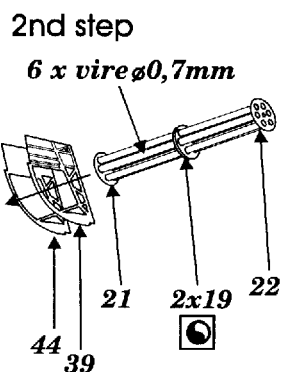
kit part A12



1st step

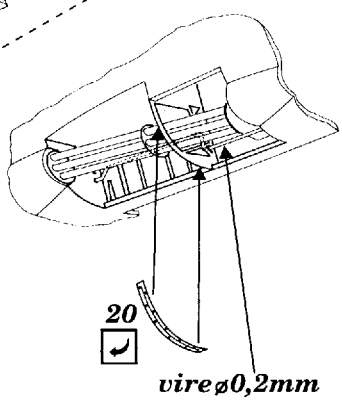
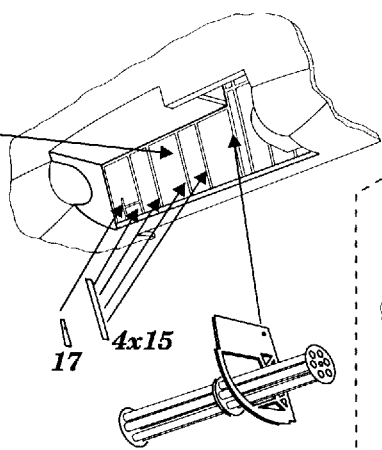


3rd step



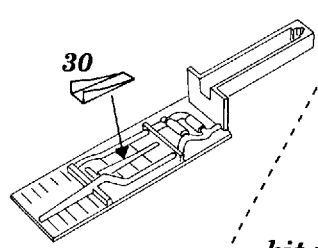
2nd step

6 x vire  $\phi 0,7mm$

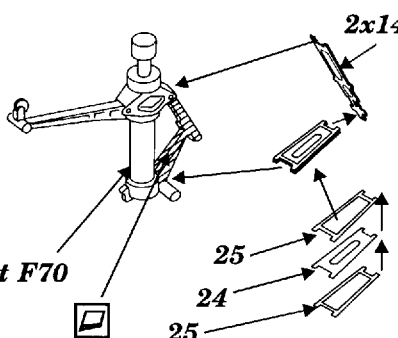


4th step

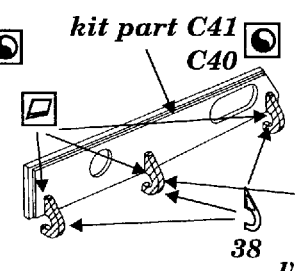
# D NOSE WHEEL WELL & NOSE GEAR STRUT



kit part F9

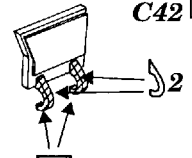


kit part F70



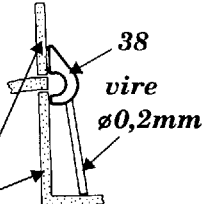
kit part C41 C40

kit part C43 C42



kit part C41

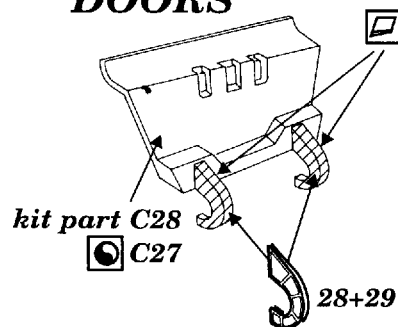
kit part F9



38

vire  $\phi 0,2mm$

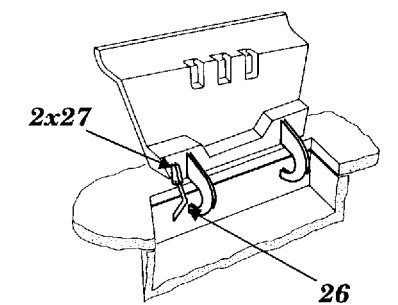
# E MAIN WHEEL DOORS



kit part C28

C27

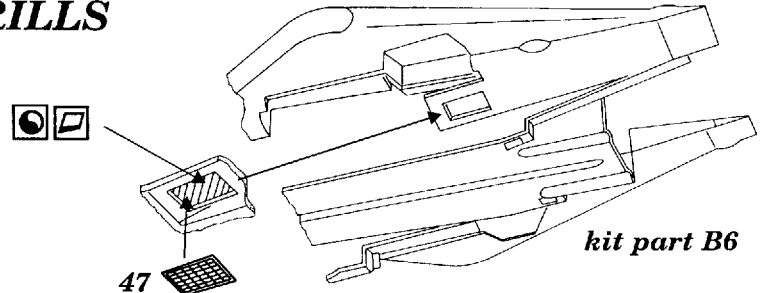
28+29



2x27

26

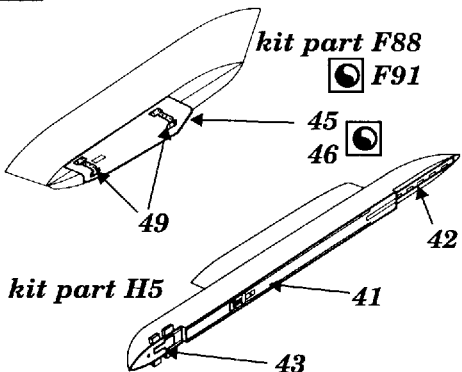
# F GRILLS



47

kit part B6

# G MISSILE LAUNCHERS



kit part F88

F91

45

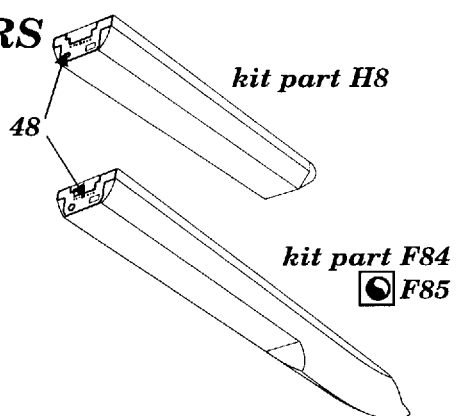
46

49

42

kit part H5

43



48

kit part H8

kit part F84

F85