

# Su-27 Flanker B

Su-27 フランカー B 苏-27“侧卫”B战斗机

## PLEASE READ BEFORE OPERATION!

- \* Tools recommended as below: (Not included)  
Adhesives; Paints; Side Cutters; Sharp Edged Pliers; Modeling Knife; Modeling File; Nippers; Drill; Scissors; Sand Paper; Soft Cloth; Cyanoacrylate Glue.
- \* Make sure to read this instruction listed below before assembling.
- \* The kit contains the small parts, they can be dangerous if swallowed by mistake, so keep them away from reach of children.
- \* Cut the all parts off carefully and remove the waste parts into the garbage can.
- \* More caution and care should be needed for cutting and handling the photo etched parts.
- \* Make attention that some parts should be attached the decal when assembled.
- \* During assembling, please tear up and throw away the plastic bags, or may cause the dangerous if wearing over head by children's mistake.
- \* When using the adhesives and paints, please do not use them in the closed room or near the fire, also must be very careful to protect your eyes, face and clothes.
- \* Adult supervised when assembled by children under 14 years old.

## 装配前请仔细阅读:

- \* 推荐使用的模型工具(请自备):  
专用模型胶水, 专用模型油漆, 水口剪刀, 长咀钳, 刀片, 锉刀, 镊子钳, 钻, 剪刀, 软布, 砂纸, 瞬间快干胶等。
- \* 用水口剪刀或刀片小心切下所有塑胶零件和蚀刻片零件, 不要遗失小零件。
- \* 切取蚀刻片时应特别注意防止利边划伤手指。
- \* 用模型锉刀小心锉平所有零件表面的注射浇口。
- \* 用适量的强力快干胶水粘合蚀刻片零件和金属轴, 切忌过量, 否则可能导致可动零件被粘住。
- \* 注意某些零件表面需在装配时同步贴水上贴纸。
- \* 制作时应远离幼儿并将包装袋及时收妥, 谨防小孩玩耍而引起意外。



cyanoacrylate glue  
强力胶



weight  
配重



make hole  
钻孔



cut / remove  
切除



option  
选择



no cement  
不涂胶水



decal  
贴纸



bend  
弯曲



repair  
填补

## The method to apply the decals

1. Cut off the decal from the decal paper and put it into the warm water 40°C for 10 seconds.
2. Take the decal from the water and put it on a piece of clean cloth.
3. Remove the decal slowly from the paper to the targeted location by a wet finger.
4. Use a piece of dry and soft cloth to press it gently on the decal until it getting dry and no bubble existing.

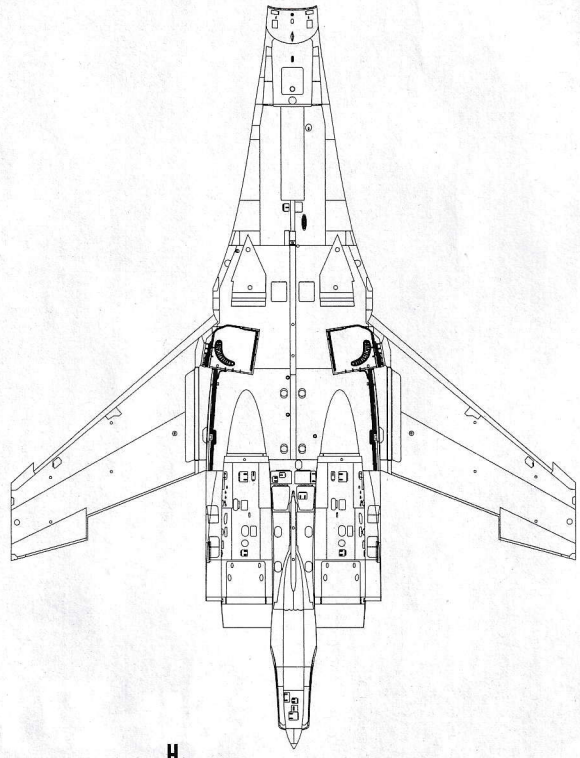
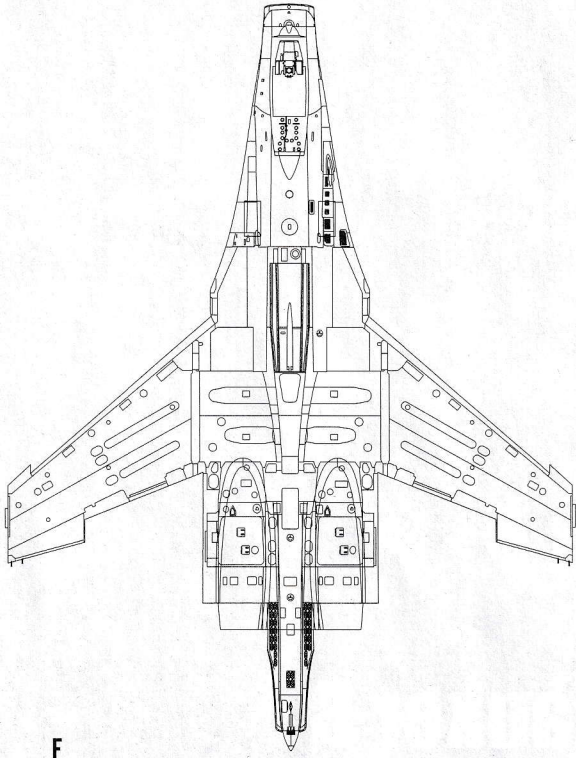
## 水贴纸的使用方法:

- 一. 把相关的印花从水贴上剪下, 放入40°C左右的温水中浸10秒。
- 二. 然后将印花放在干净的布上。
- 三. 拿上印花纸板, 手指蘸水将印花移到适当的位置。
- 四. 用软干布轻压印花直至水干, 气泡消失。

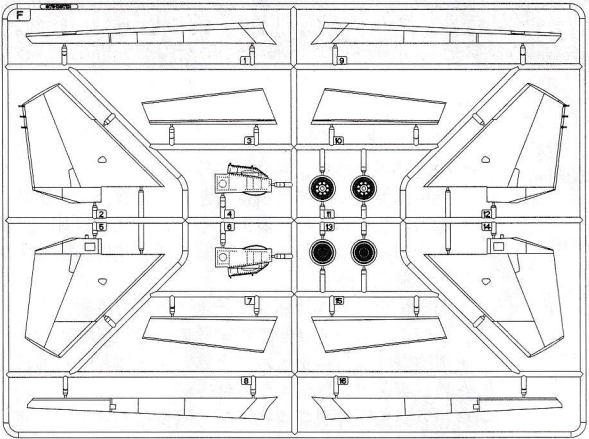
部品图  
Parts

《上部机身》  
Top fuselage

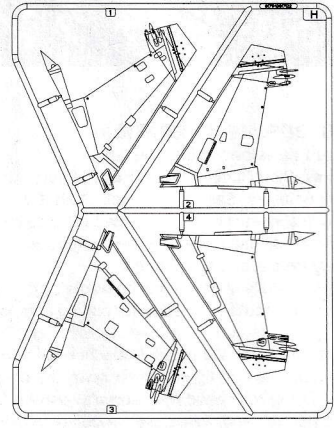
《下部机身》  
Lower fuselage



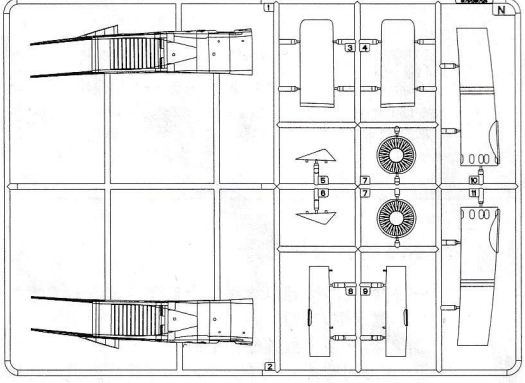
F



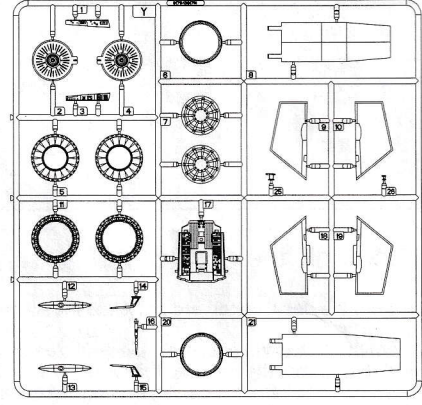
H



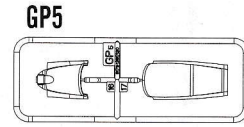
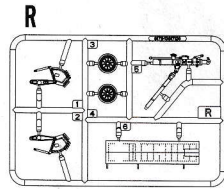
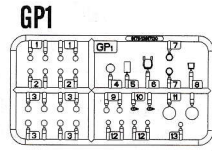
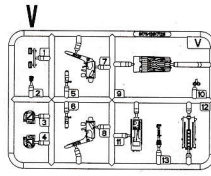
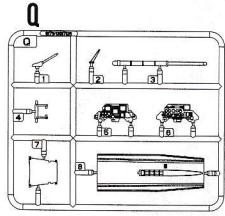
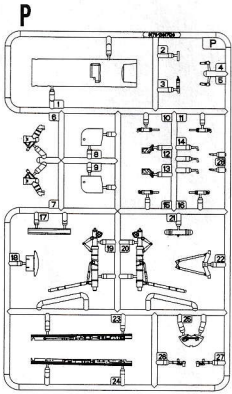
N



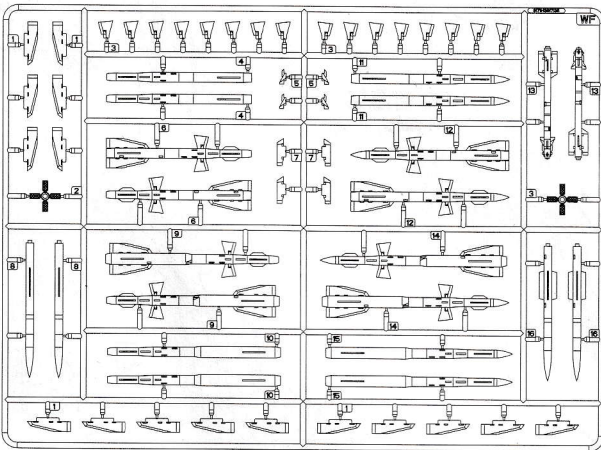
Y



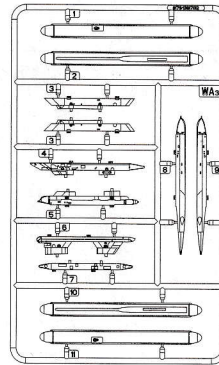
部品图  
Parts



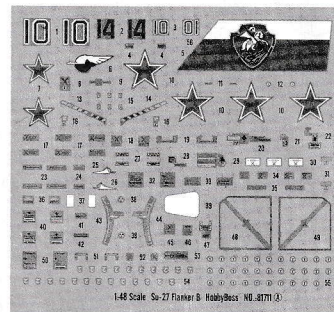
WFx2



WA3 x2



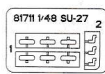
《水贴》A  
Decal



Y22



《蚀刻片》  
Photo etched part (PE)



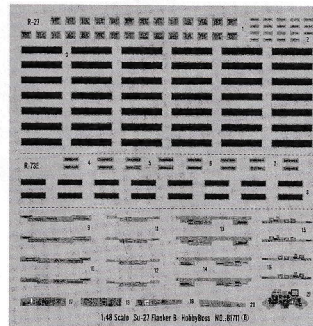
《前轮胎》  
Nose tyre



《主轮胎》x2  
Main tyre



《水贴》B  
Decal



不用的部件: Y21 Q5 P28 GP1 GP2 GP3 GP6 GP8 GP9 GP11  
Unused parts: WF2 WF4 WF6 WF8 WF9 WF10 WF16 WA6





《上部机身》  
Top fuselage

H 56 72  
灰蓝色  
Intermediate Blue

H 12 33  
消光黑  
Flat black

GP13

H 18 28  
黑铁色  
Metal Black

制作2组  
Make two

Y6  
(Y20)

Y7

Y2  
(Y4)

对侧 P8  
Opposite P8  
P9

《座舱》  
Cockpit

H 56 72  
灰蓝色  
Intermediate Blue

P23 P25  
P18 P24

P1

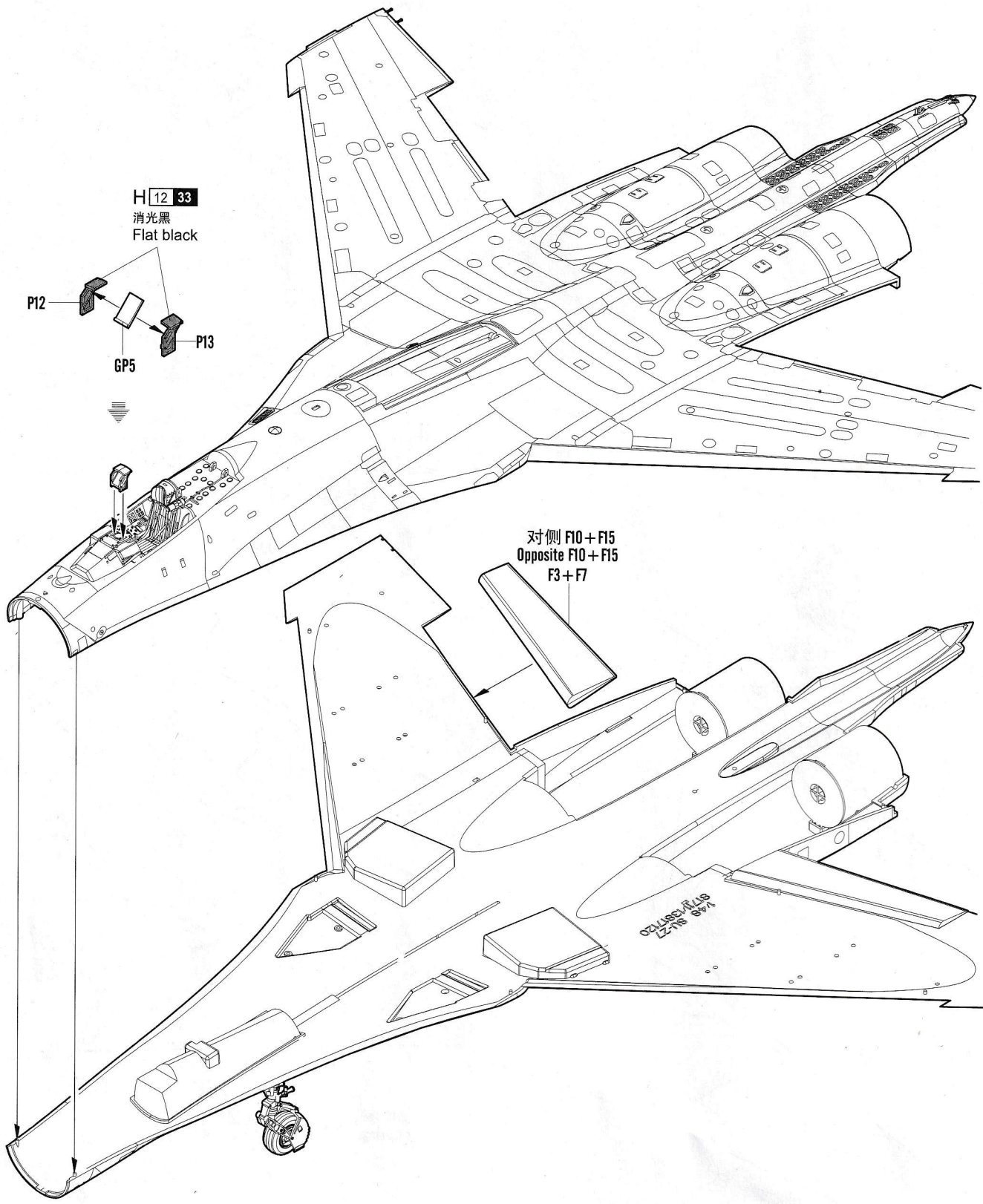
《下部机身》  
Lower fuselage

《前起落架》  
Nose undercarriage

H 12 33  
消光黒  
Flat black

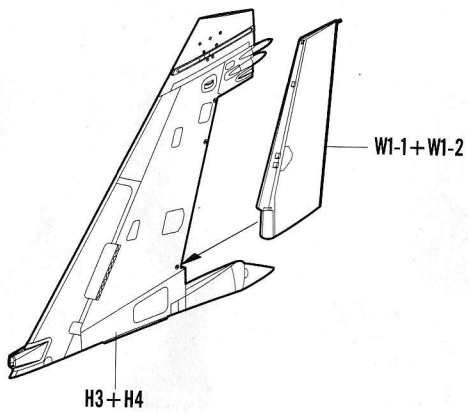
P12  
GP5  
P13

対側 F10 + F15  
Opposite F10 + F15  
F3 + F7



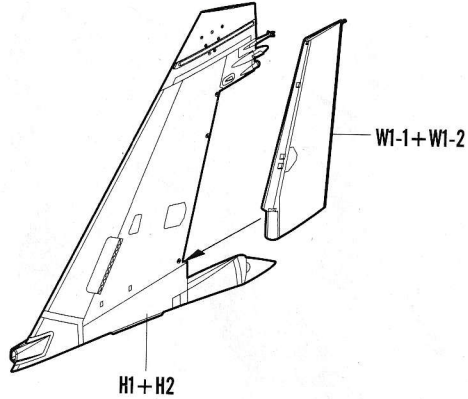
6  
STEP

《右侧垂翼》  
Right vertical stabilizer



7  
STEP

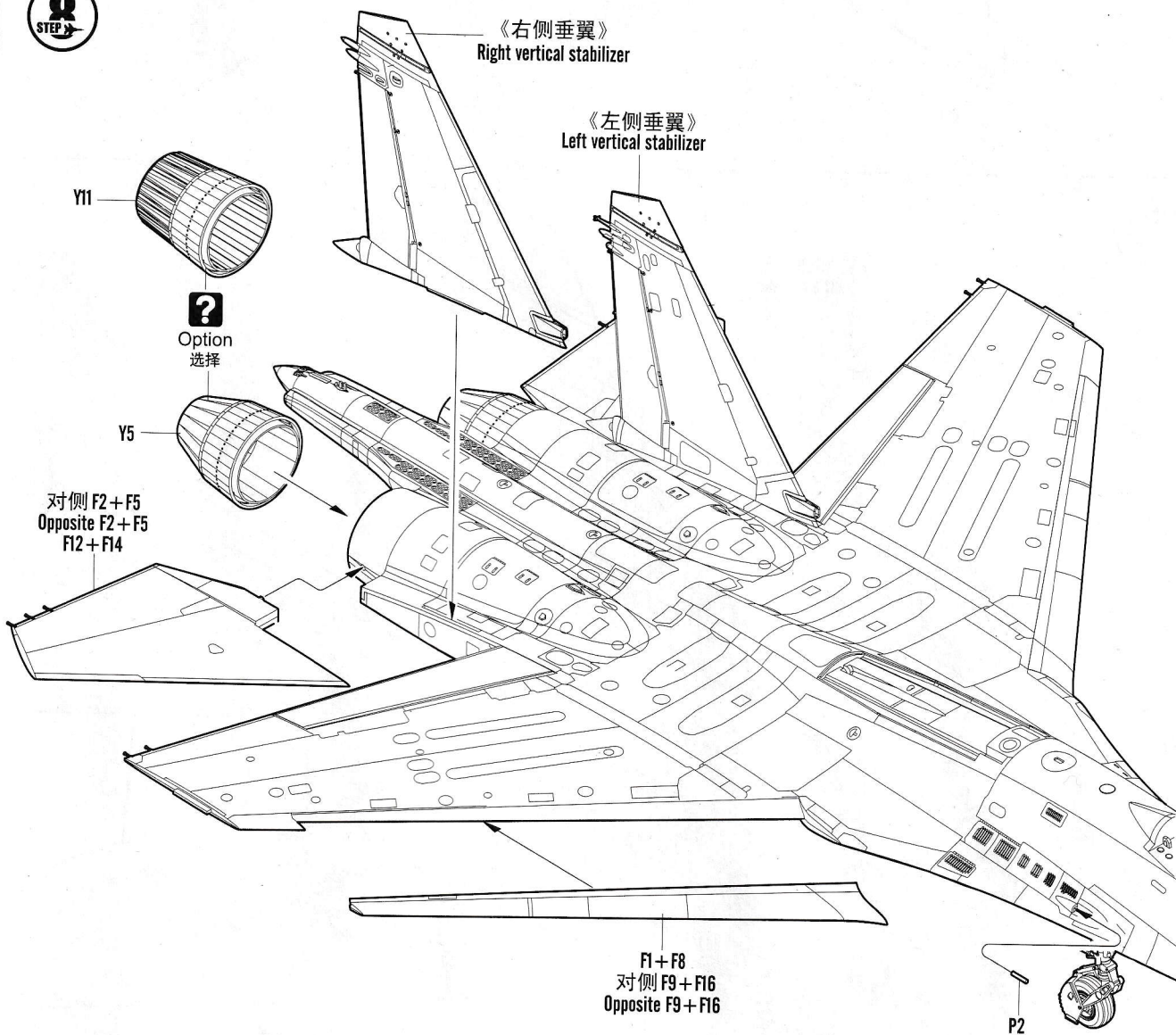
《左侧垂翼》  
Left vertical stabilizer



8  
STEP

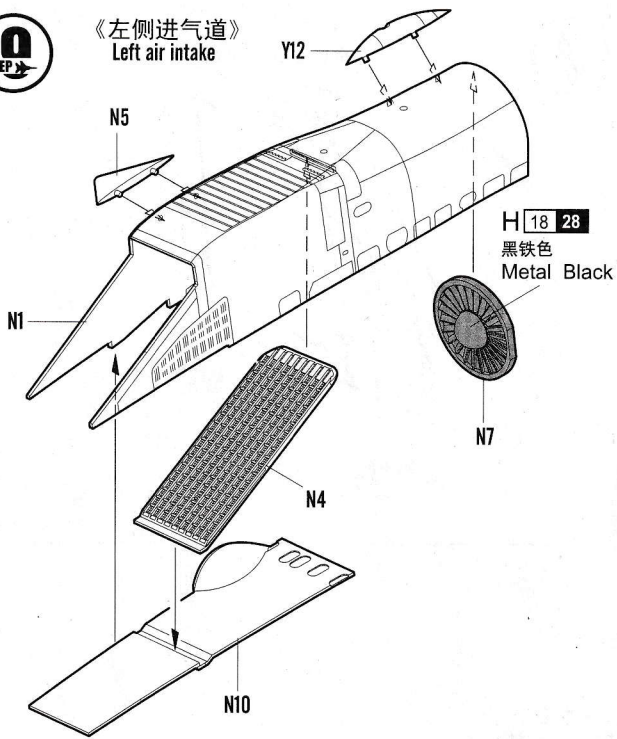
《右侧垂翼》  
Right vertical stabilizer

《左侧垂翼》  
Left vertical stabilizer



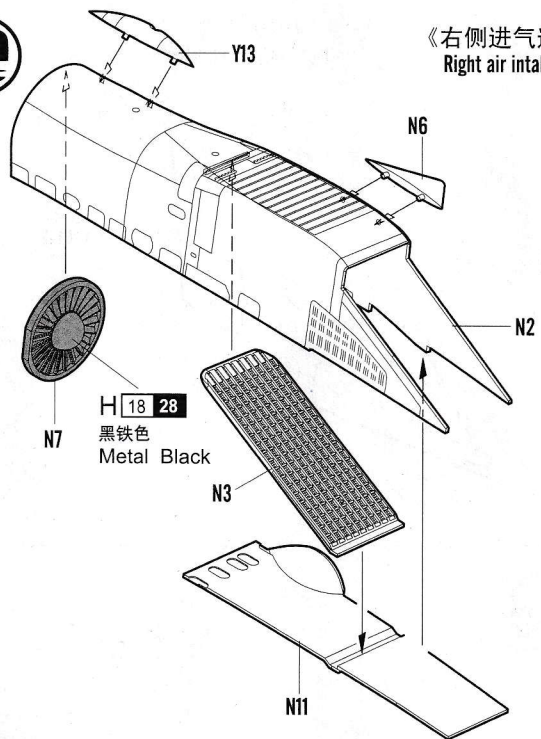
9  
STEP

《左侧进气道》  
Left air intake



10  
STEP

《右侧进气道》  
Right air intake

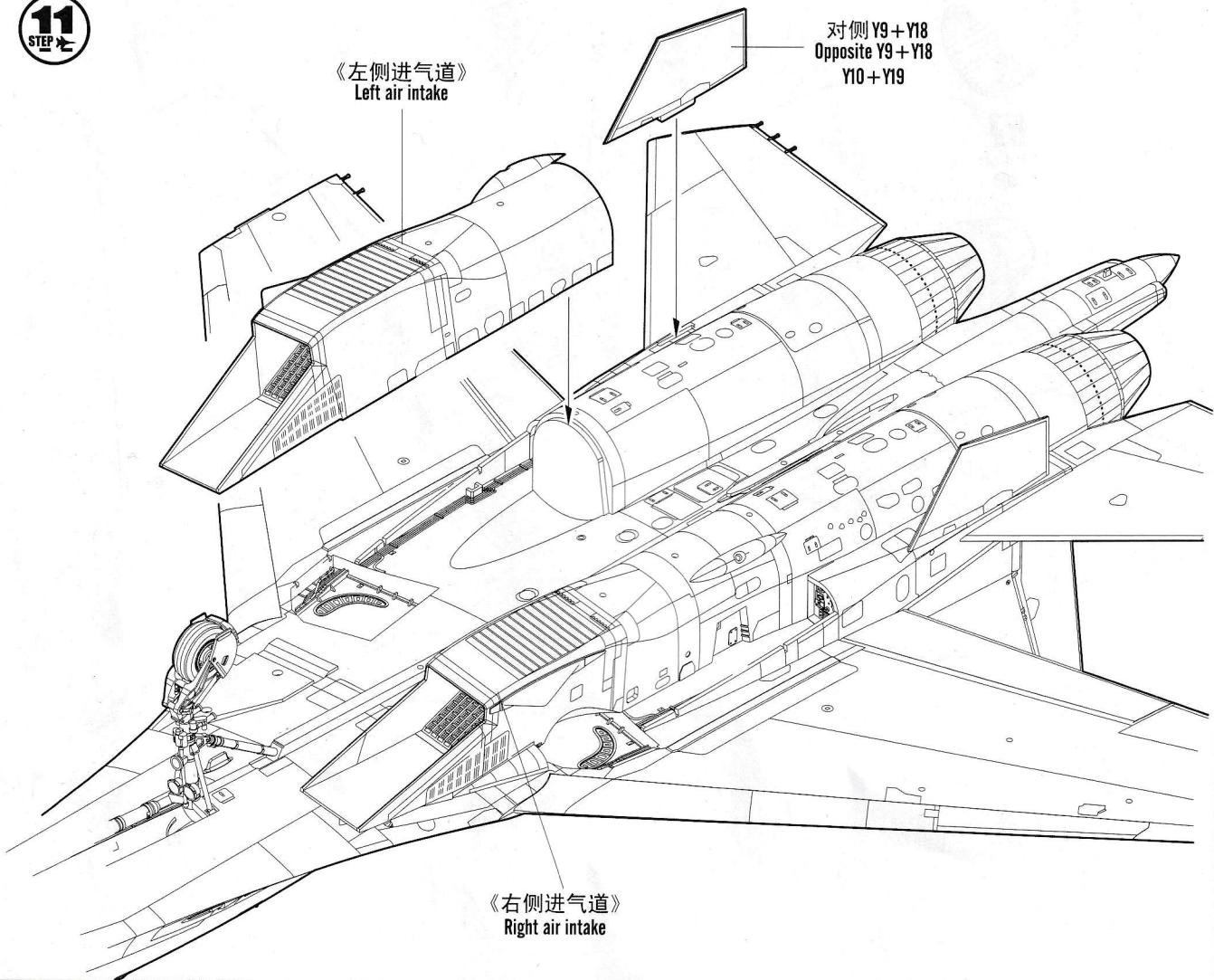


11  
STEP

《左侧进气道》  
Left air intake

对侧 Y9 + Y18  
Opposite Y9 + Y18  
Y10 + Y19

《右侧进气道》  
Right air intake



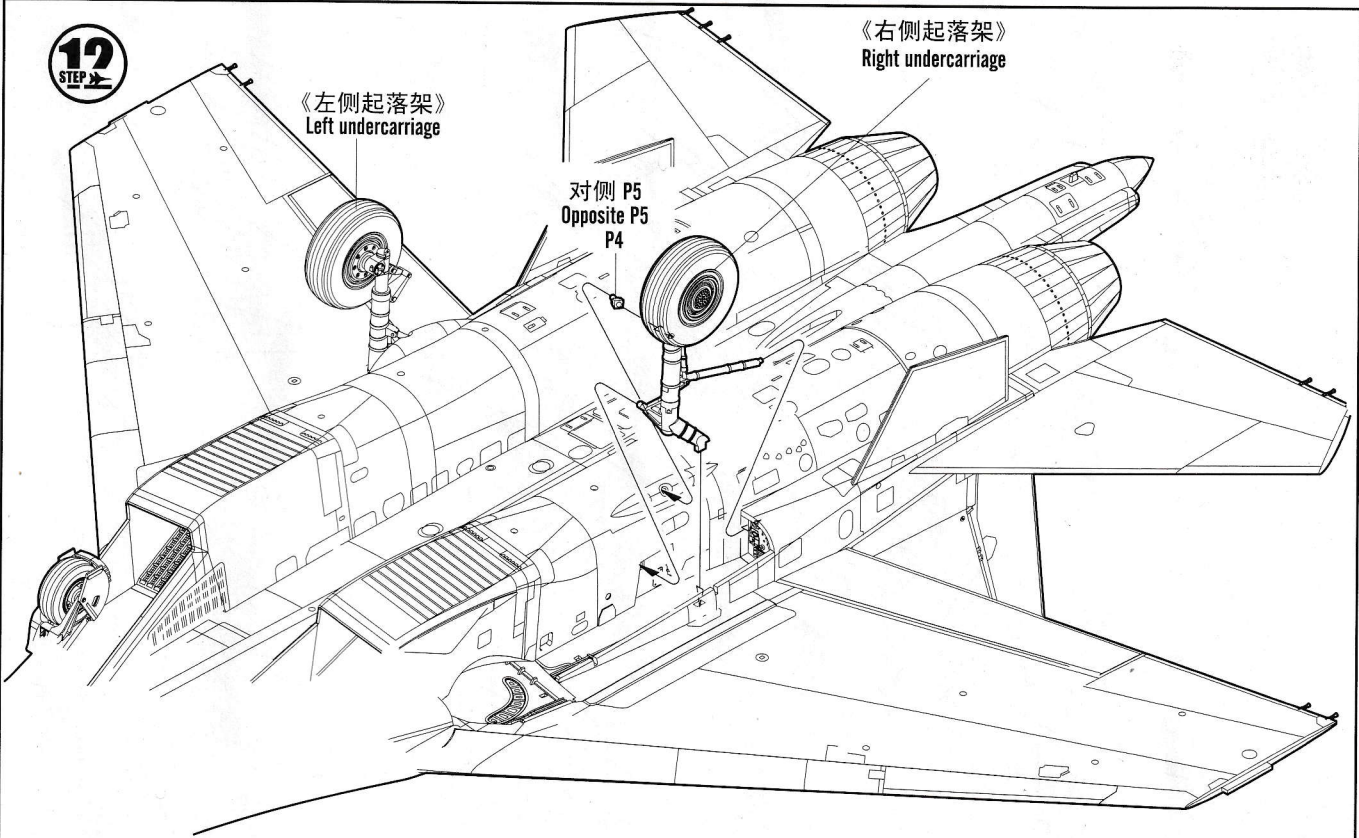


12  
STEP

《左侧起落架》  
Left undercarriage

《右侧起落架》  
Right undercarriage

对侧 P5  
Opposite P5  
P4



P17

对侧 P10  
Opposite P10  
P11

P3

对侧 P15  
Opposite P15  
P16

N9 对侧 N8  
Opposite N8

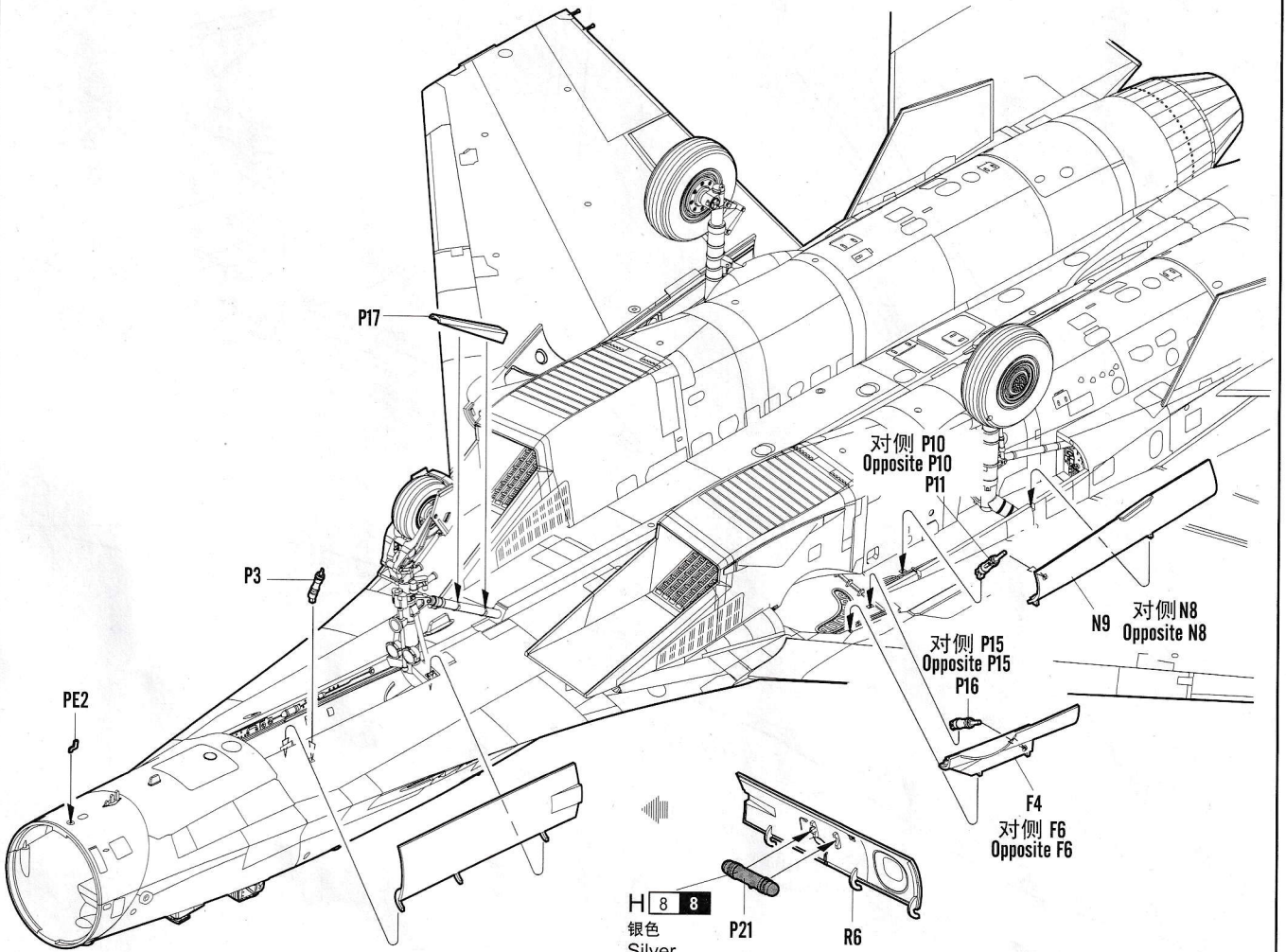
PE2

F4 对侧 F6  
Opposite F6

H 8 8  
银色  
Silver

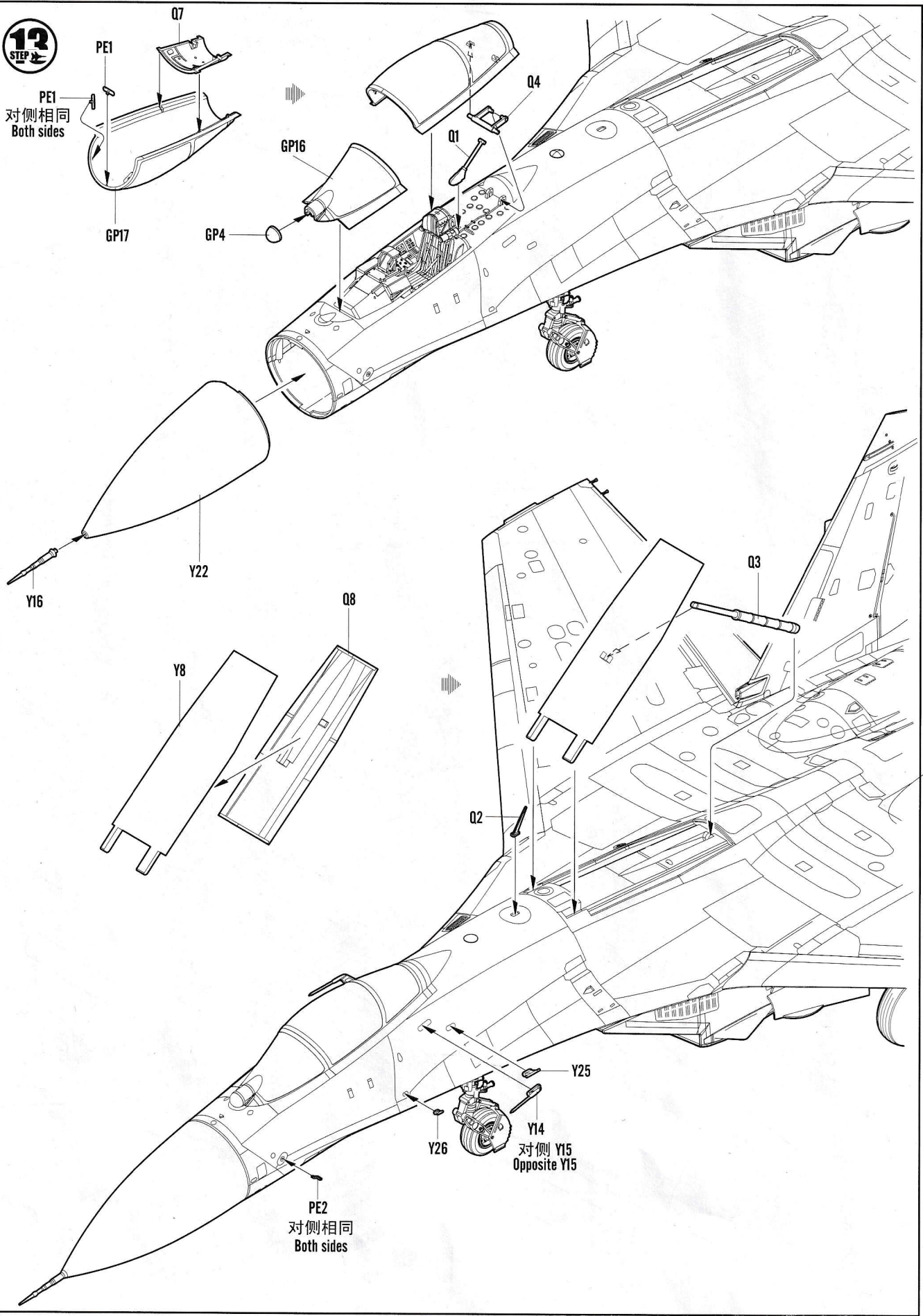
P21

R6



13  
STEP

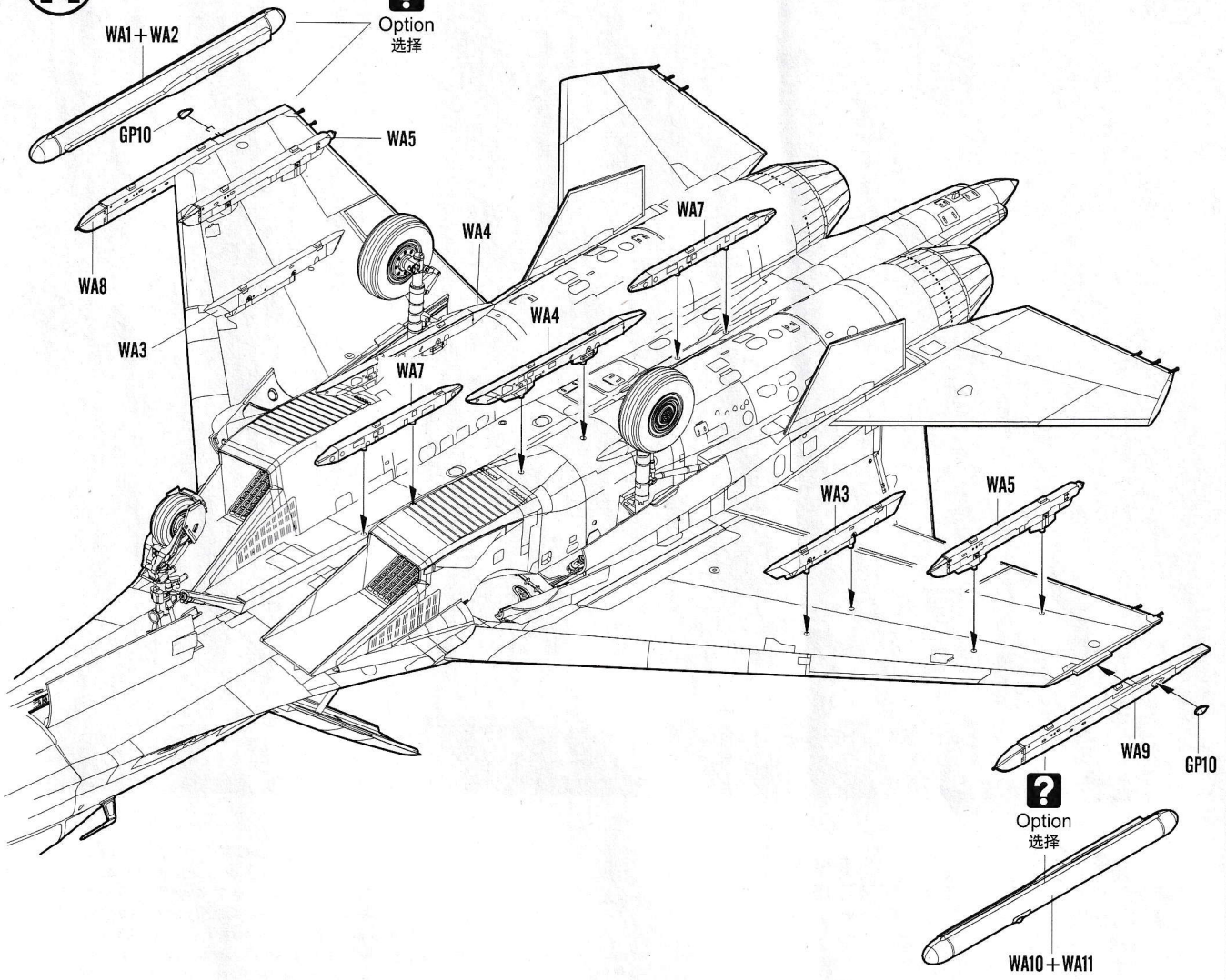
PE1  
对侧相同  
Both sides



14  
STEP

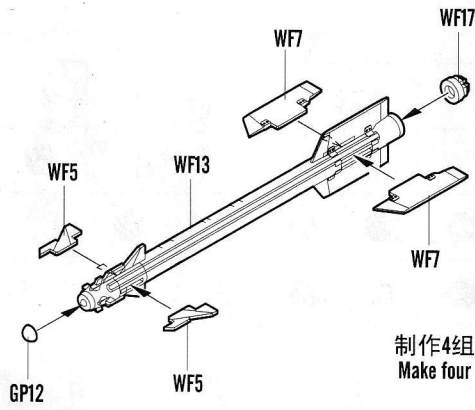


Option  
选择



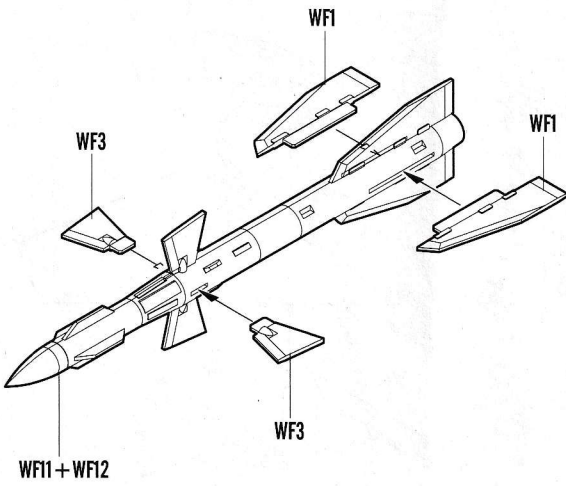
《 R-73 》

15  
STEP



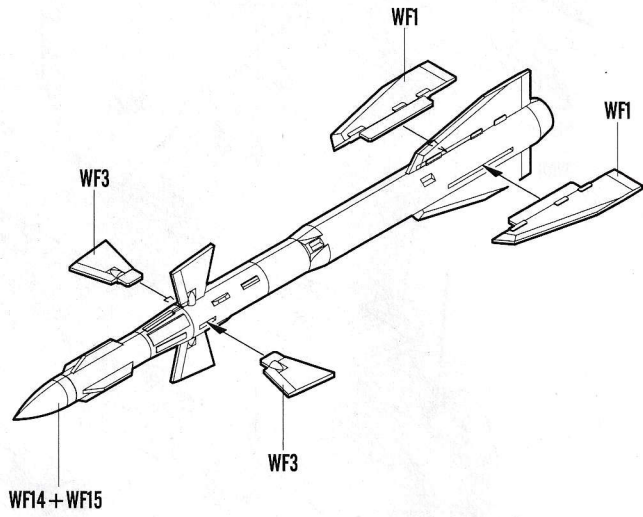
制作4组  
Make four

《 R-27R 》

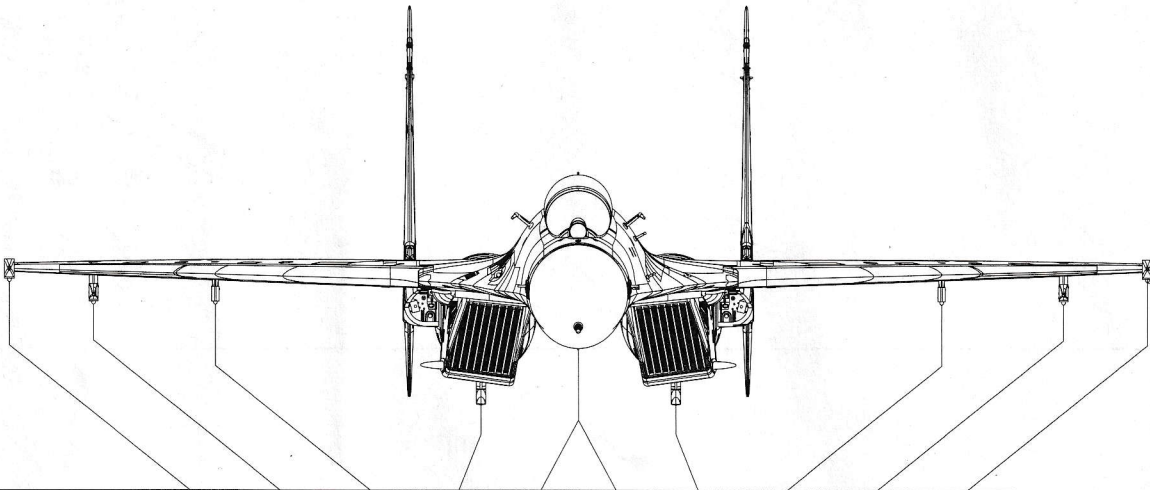


制作4组  
Make four

《 R-27ER 》

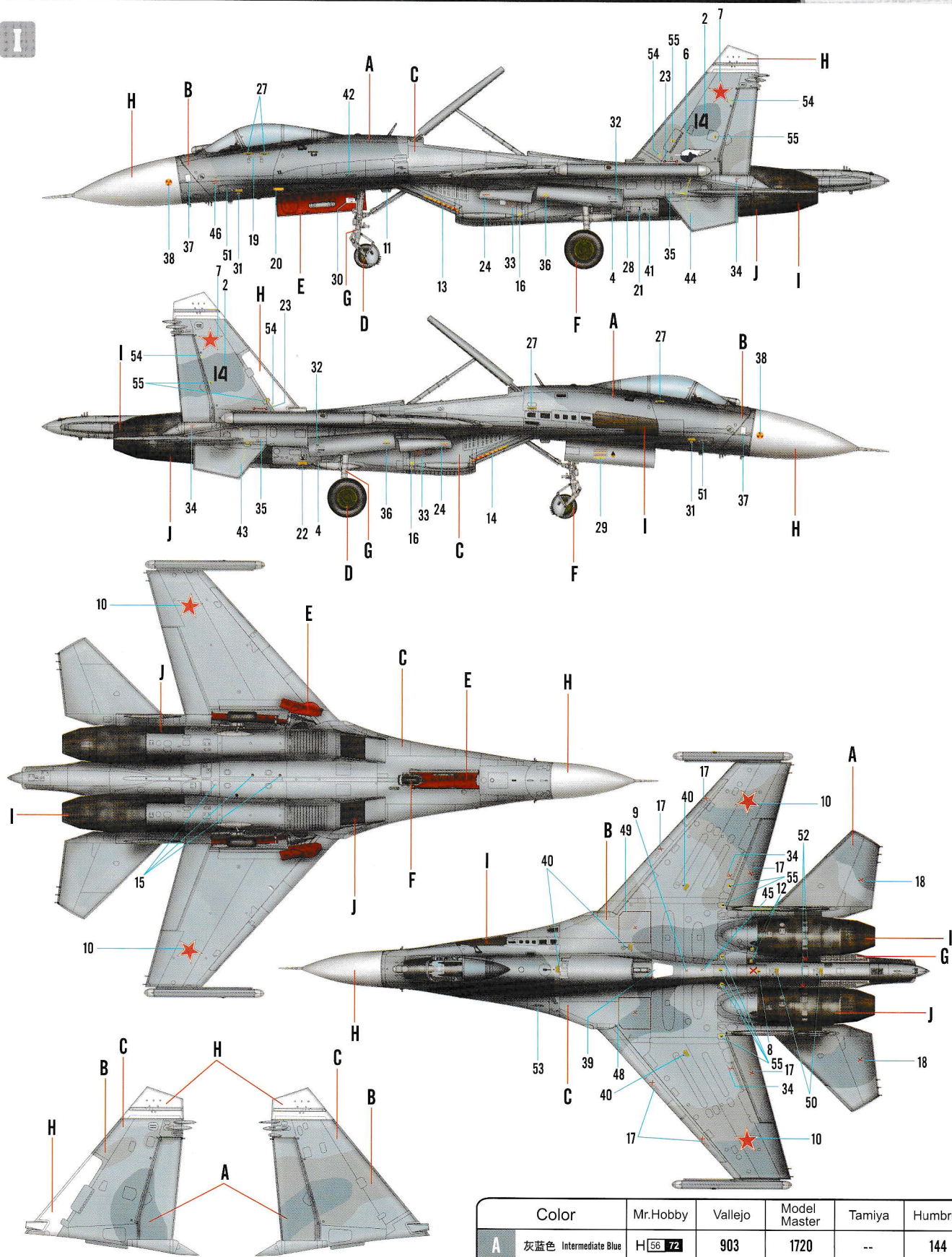


制作4组  
Make four



Missile \ Sta.No.	1	2	3	4	5	6	7	8	9	10
R-73 E	●	●							●	●
R-27 R			●	●	●	●	●	●		
R-27 ER			●	●	●	●	●	●		

I



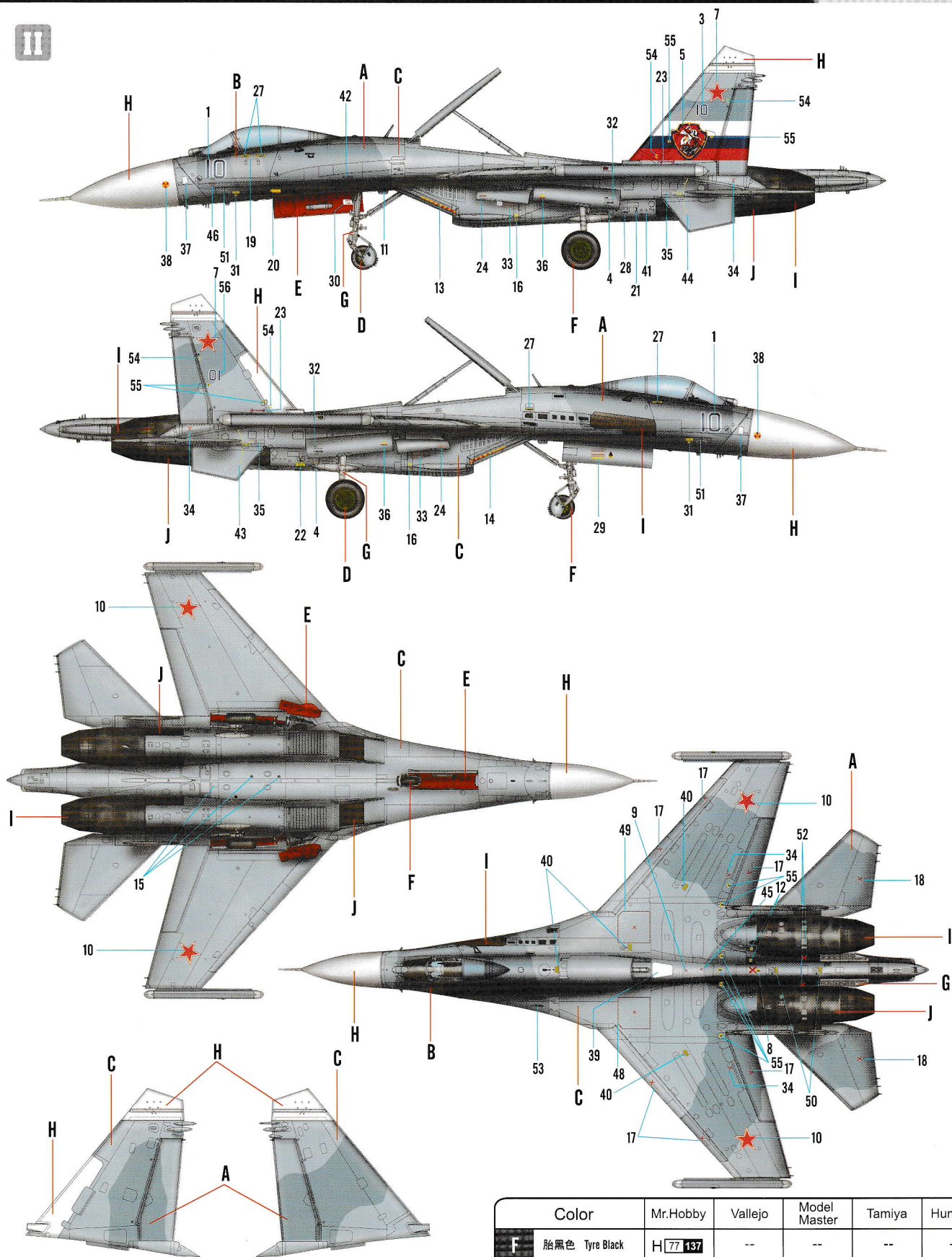
右  
Right

左  
Left

Color	Mr.Hobby	Vallejo	Model Master	Tamiya	Humbrol
<b>A</b> 灰蓝色 Intermediate Blue	H [56] 72	903	1720	--	144
<b>B</b> 灰白色 Aircraft Gray	H [57] 73	--	--	--	--
<b>C</b> 浅灰蓝 Pearl Grey	H [ ] 74	--	--	--	--
<b>D</b> 薄松叶色 Light Green	H [319] 319	--	1713	--	117
<b>E</b> 红色 Red	H [3] 3	908	1503	X7	19

※ Some paints may not be available in your country. Please check your local hobby shop for substitute

II



右  
Right

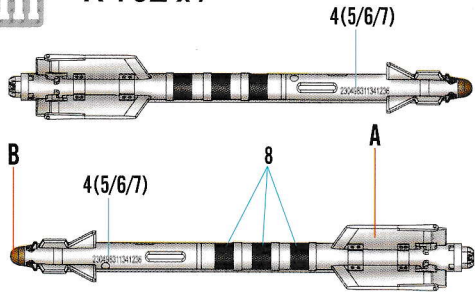
左  
Left

	Color	Mr.Hobby	Vallejo	Model Master	Tamiya	Humbrol
<b>F</b>	胎黑色 Tyre Black	H 77 137	--	--	--	--
<b>G</b>	银色 Silver	H 8 8	997	1546	X11	11
<b>H</b>	白色 White Insignia	H 316 316	991	1745	X2	22
<b>I</b>	烧铁色 Burnt Iron	H 76 61	863	1795	X10	53
<b>J</b>	黑铁色 Metal Brown	H 18 28	864	1402	--	--

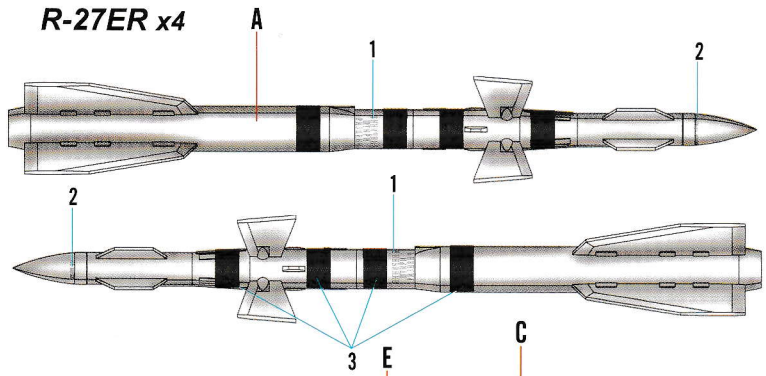
\* Some paints may not be available in your country. Please check your local hobby shop for substitute



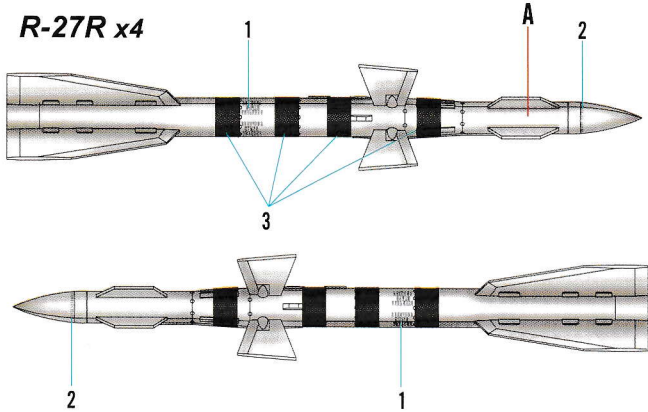
R-73E x4



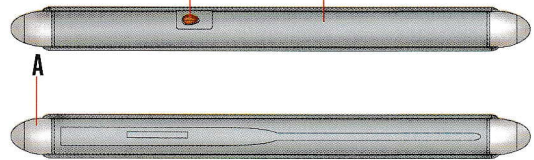
R-27ER x4



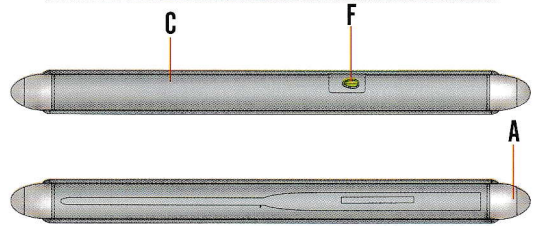
R-27R x4



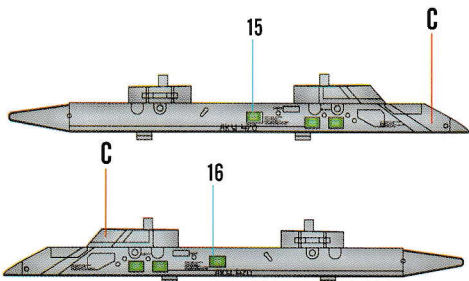
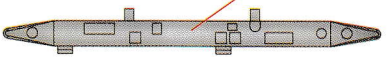
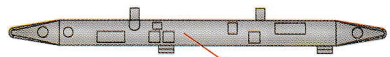
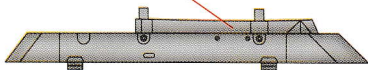
L



R



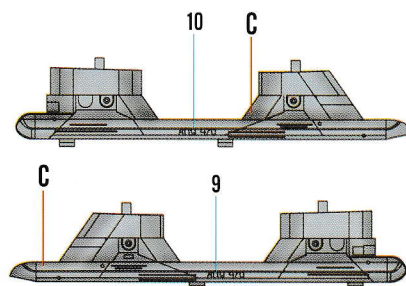
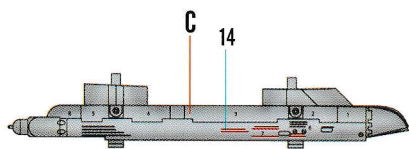
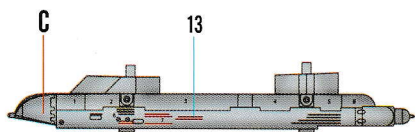
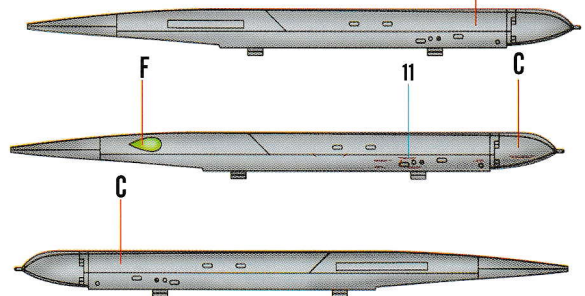
D (80%) + A (20%)



L



R



Color	Mr.Hobby	Vallejo	Model Master	Tamiya	Humbrol
<b>A</b> 白色 White	H 1 1	842	1745	X2	22
<b>B</b> 烟灰色 Smoke Blue	H 96 101	--	--	--	--
<b>C</b> 浅灰蓝 Pearl Grey	H 74	--	--	--	--
<b>D</b> 灰色 Gray	H 308 308	990	1728	XF19	127
<b>E</b> 透明红 Clear Red	H 90 47	934	--	X27	--
<b>F</b> 透明绿 Clear Green	H 94	936	--	X25	--