

ACADEMY

MINICRAFT



1/72 SCALE

PBY-5A BLACK CAT

The earlier PBY-2 and PBY-5 Catalina flying boats were faster and more attractive to look at, but it was the **Black Cat Squadrons** that wrote some of the most interesting chapters in the history of the War in the Pacific. Their search and attack capability was the perfect answer to the Japanese tactics of moving men and supplies at night by ship or barge to re-supply their out-of-the-way garrisons in the western Pacific.

The early RADAR installed on the PBY-5A Catalinas was crude and very limited, but it worked well enough that the **Black Cats** were able to sink over 10,000 tons and seriously damage another 24,000 tons of Japanese merchant shipping in their night attacks.

Because of its amphibian landing gear, the **PBY-5A** had the advantage of operating from island landing strips or seaplane tenders, but this came at a price. Because of the added weight of retractable landing gear, the **PBY-5A** was slower and couldn't fly as high as the earlier pure seaplane versions.

SPECIFICATIONS:

Wingspan:	104.25 feet	Length:	64.67 feet
Height:	21.25 feet	Max. Speed:	186 mph @ 6,700 feet
Service Ceiling:	15,100 feet	Range:	2,590 miles
Armament:	3 x 0.50 machine guns, 1 x 0.30 machine guns, bombs 4 x 1,000 pounds		

2137

ENGLISH	FRENCH	GERMAN	SPANISH	ITALIAN
BLACK	NOIR	SCHWARZ	NEGRO	NERO
SILVER	ARGENT	SILBERN	PLATA	ARGENTO
GUNMETAL	METALLIC	METALLIC	METALICO	METALLICO
METALLIC	METALLIC	METALLIEK	METALICO	METALLICO
GRAY	GRIS	GRAU	GRIS	GRIGIO
YELLOW	JAUNE	GELB	AMARILLO	GIALLO
GREEN	VERT	GRUN	VERDE	VERDE
FLAT	TERNE	GLANZLOSES	APAGADO	OPACO



Cement Parts
Coller
Kleben
Pegar
Incollare
Collar
Kleben



Do Not Cement Parts
Ne Pas Coller
Nicht Kleben
No Pegar
Non Incollare
Não Colar
Niet Kleven



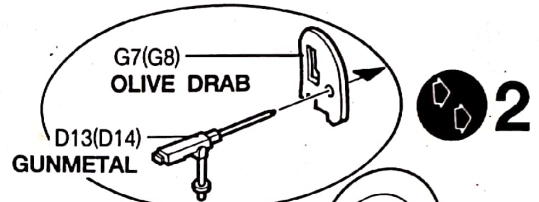
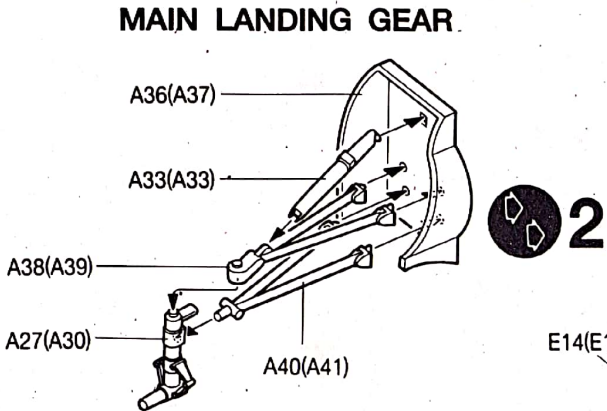
Optional Parts
Choux
Auswahlmöglichkeit
Election
Scelta
Opção
Keuze



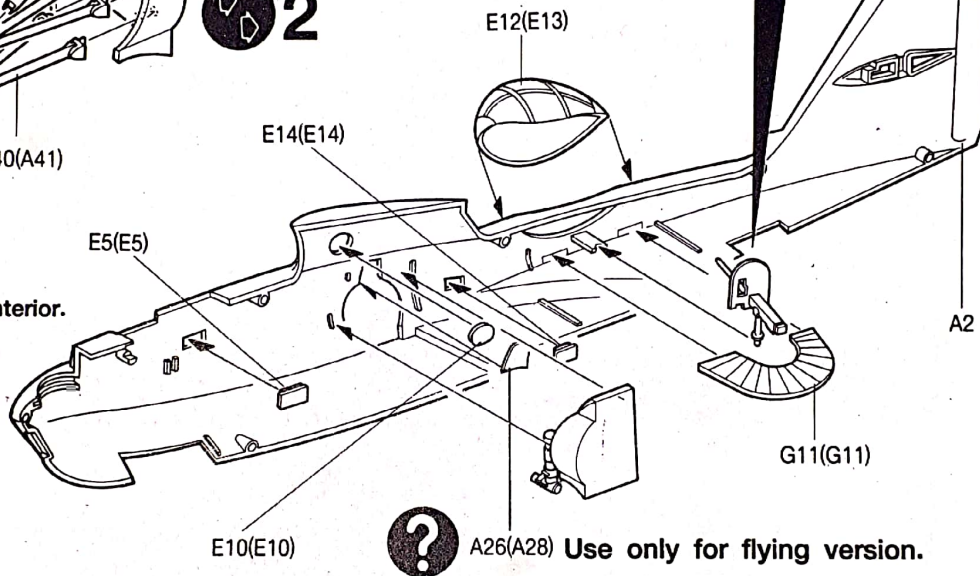
Repeat Operation
Répéter l'opération
Vorgang Wiederholen
Repeter la operación
Repeter a Operação
Herhalen

1 INTERIOR ASSEMBLY

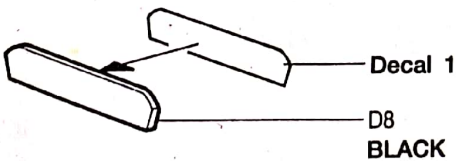
MAIN LANDING GEAR



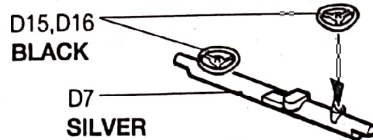
CHROMATE GREEN Interior.



INSTRUMENT PANEL

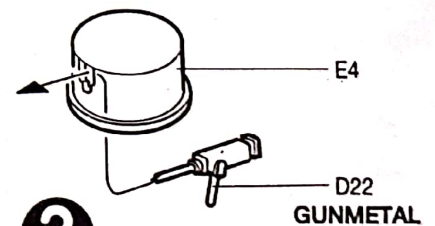


CONTROL HANDLES

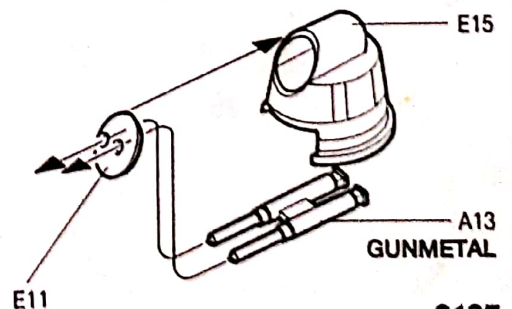


BOW TURRET

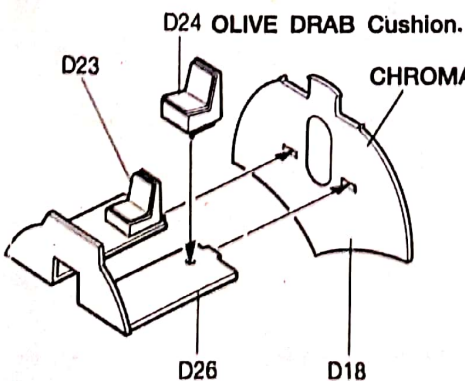
Early Version



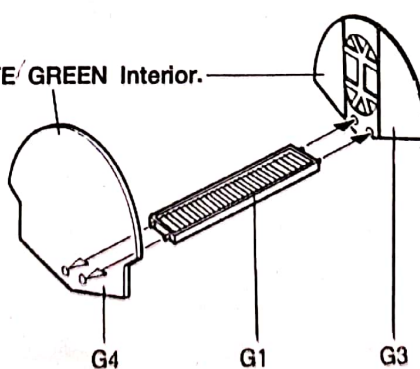
Late Version



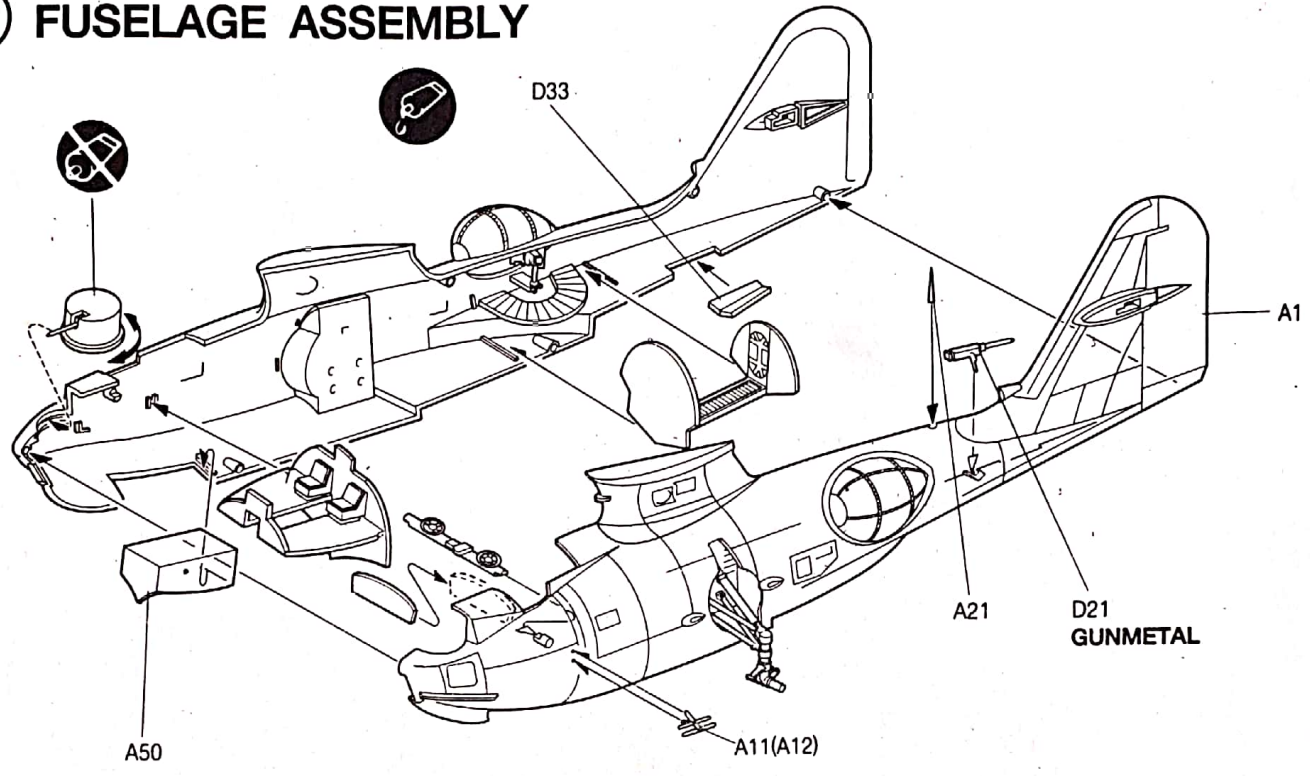
COCKPIT



GUNNER'S POSITION



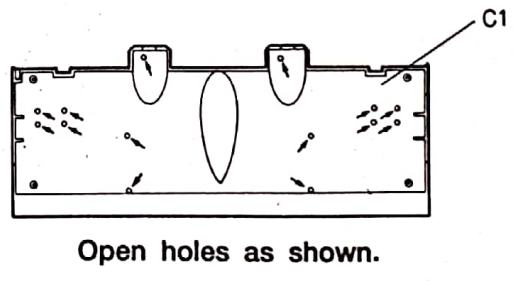
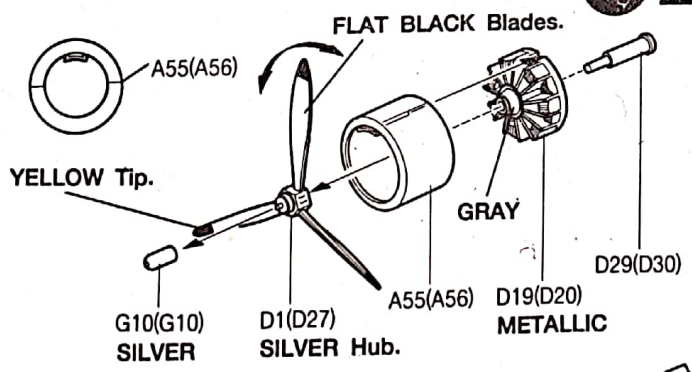
2 FUSELAGE ASSEMBLY



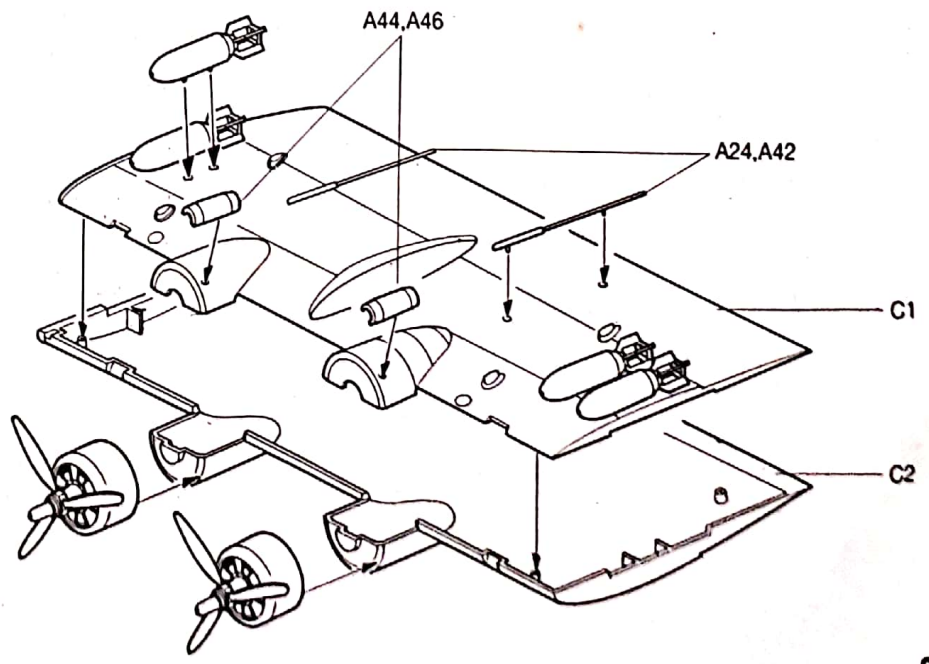
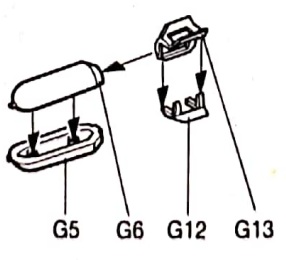
3 WING ASSEMBLY(Center)

ENGINE ASSEMBLY

2

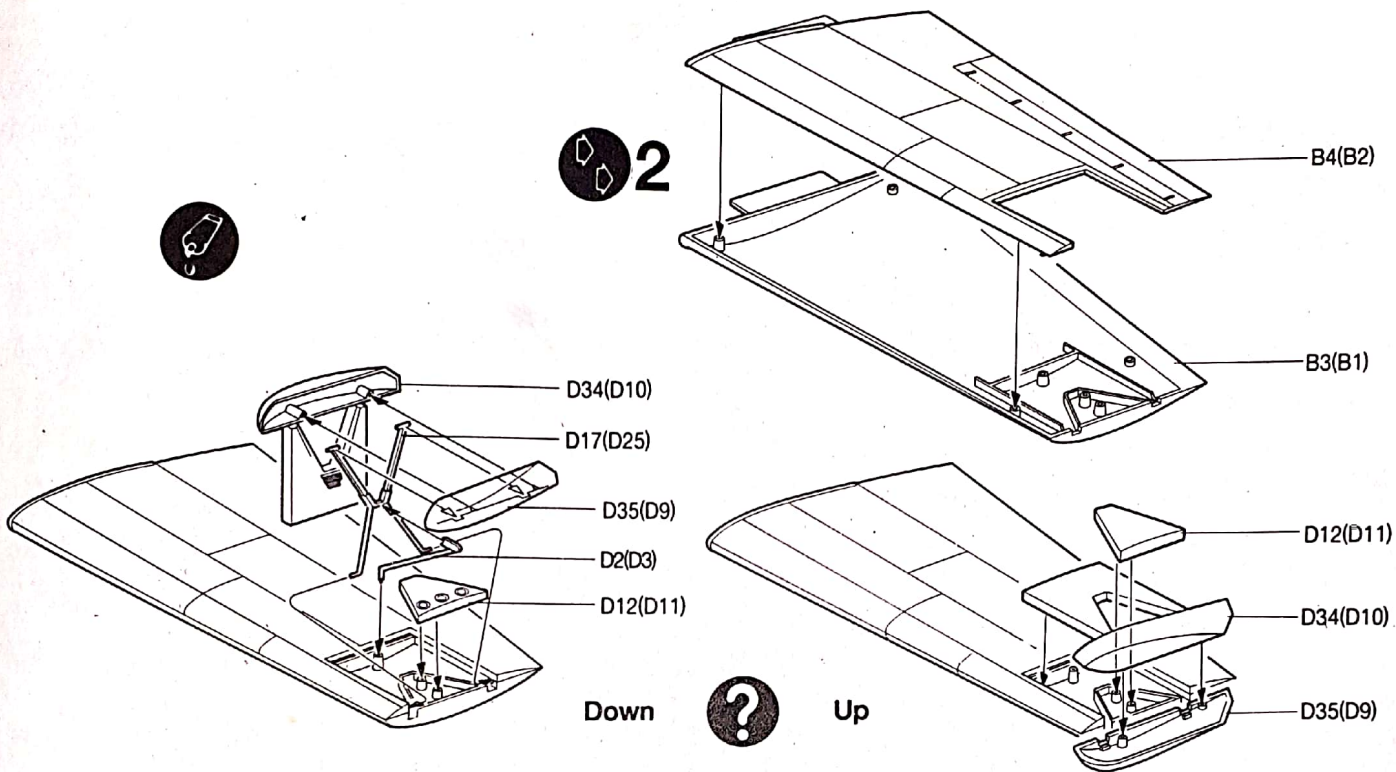


BOMB ASSEMBLY



4

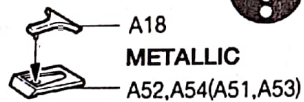
④ WING ASSEMBLY(Right & Left)



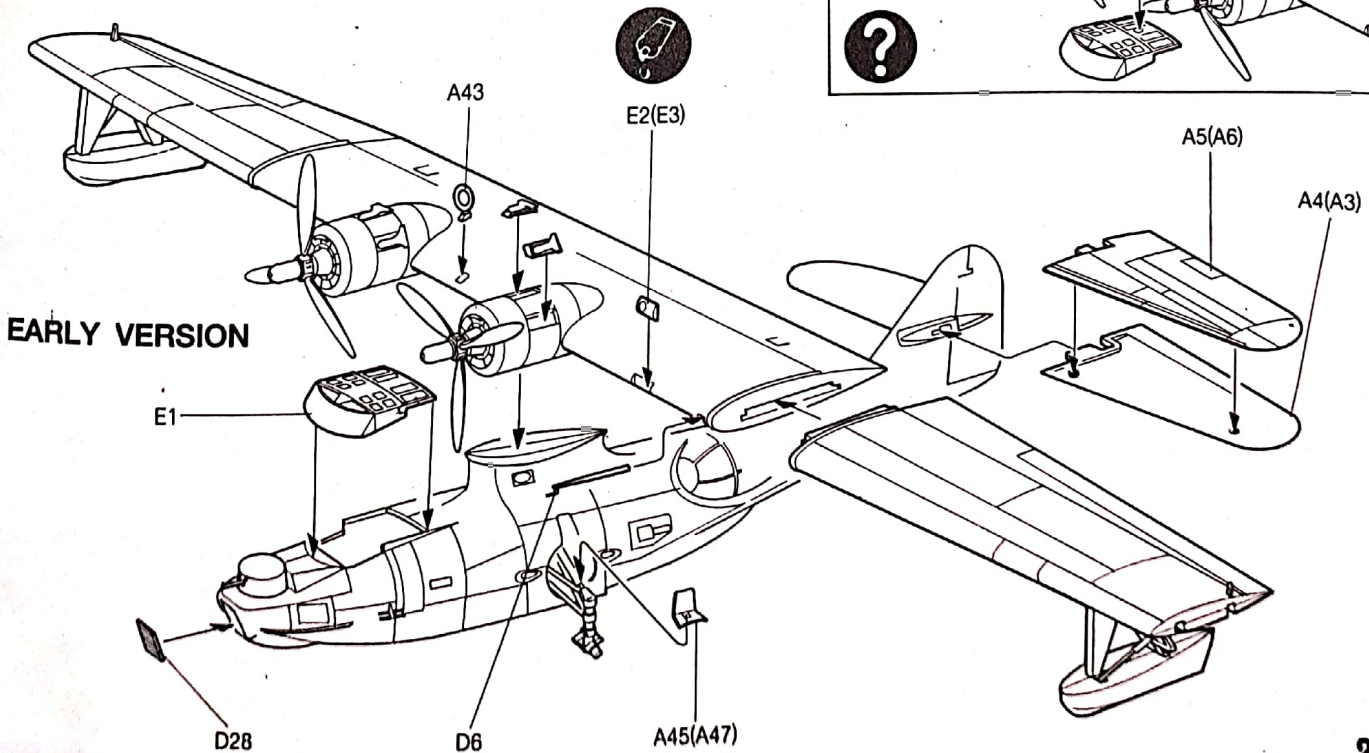
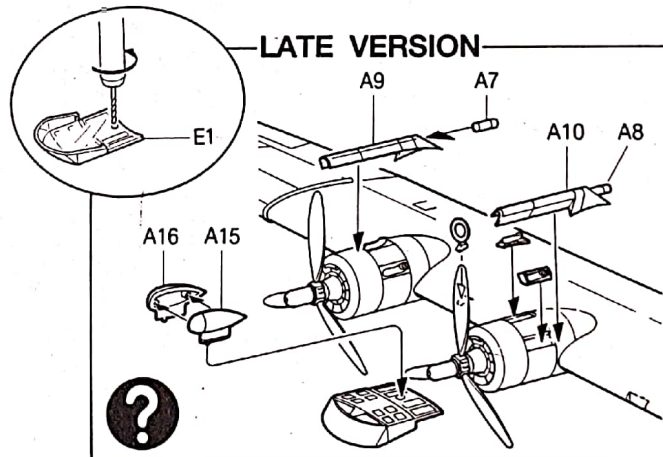
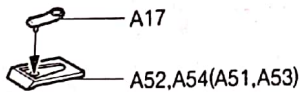
⑤ WING INSTALLATION

EXHAUST ASSEMBLY

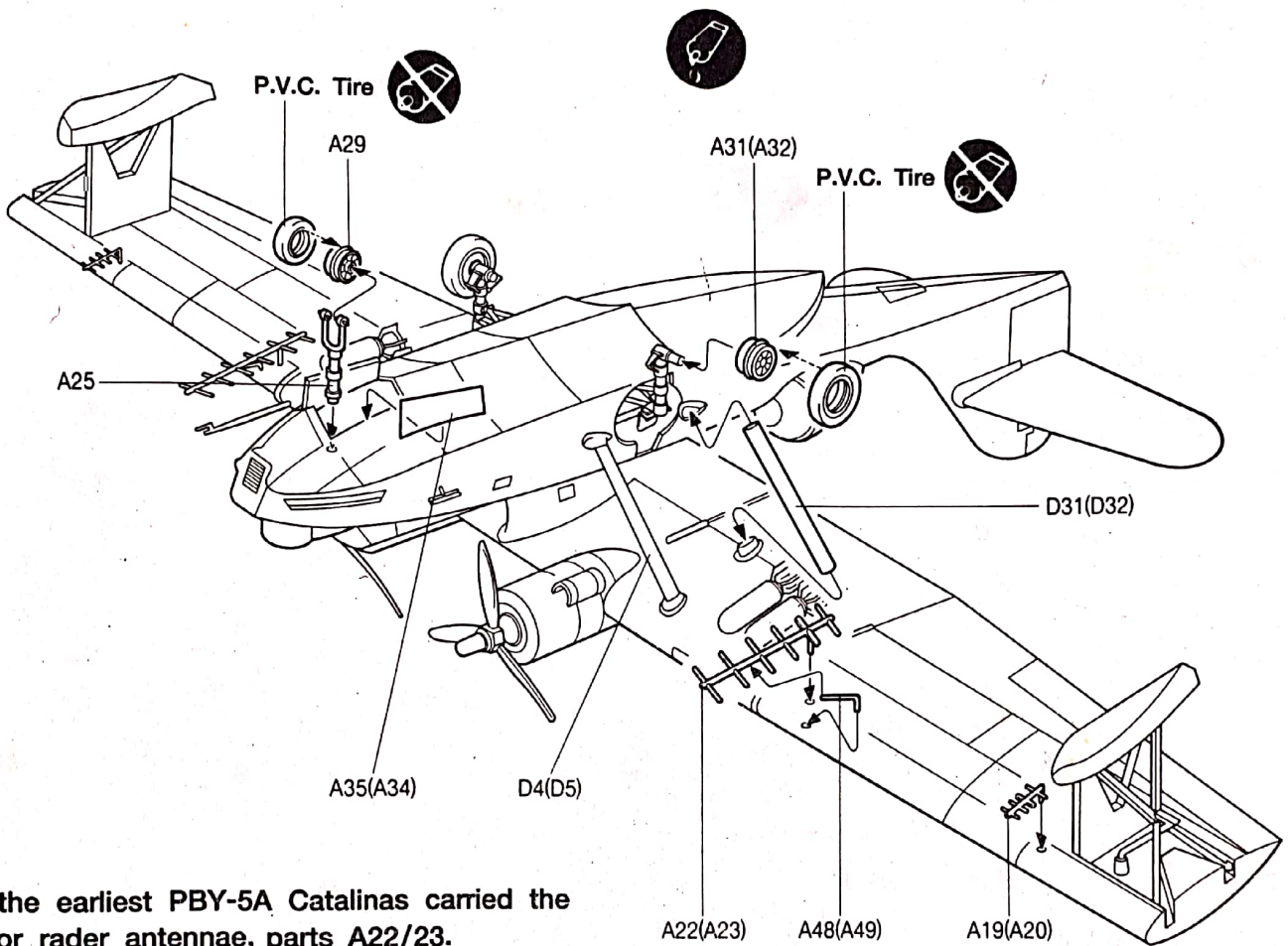
Early Version



Late Version



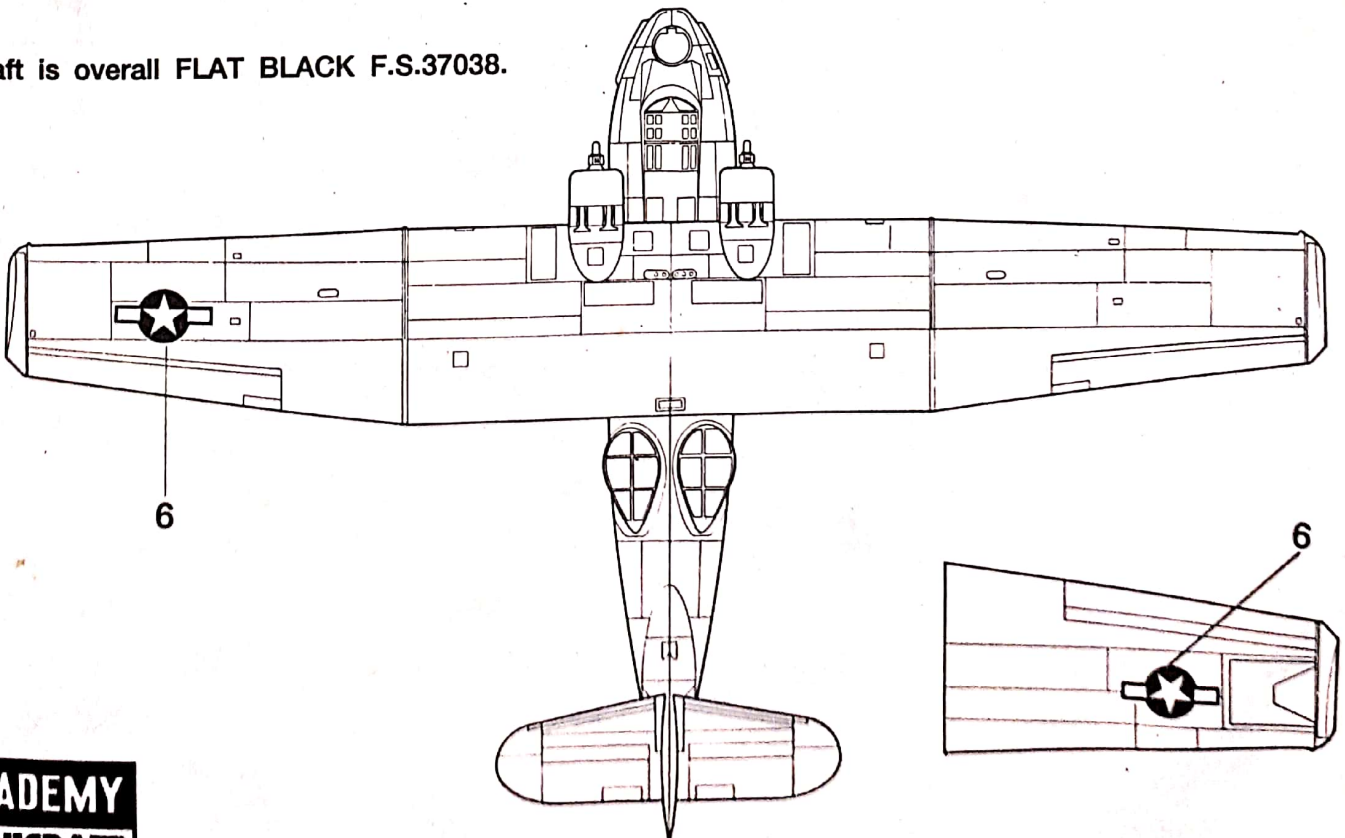
6 FINAL ASSEMBLY

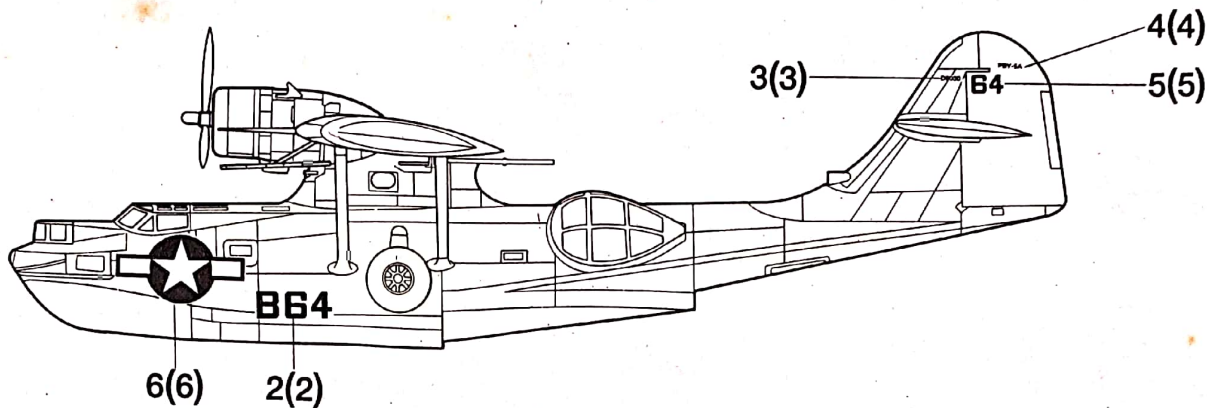


Only the earliest PBY-5A Catalinas carried the exterior rader antennae, parts A22/23.

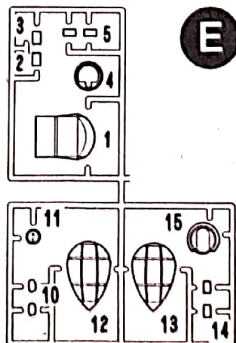
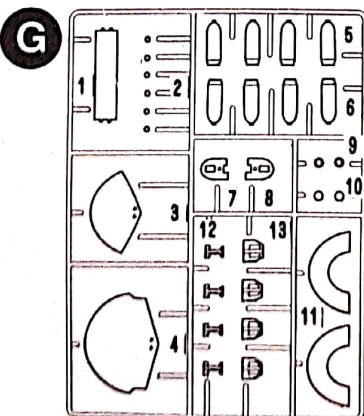
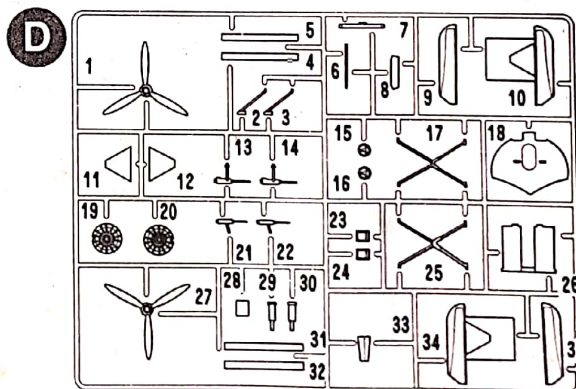
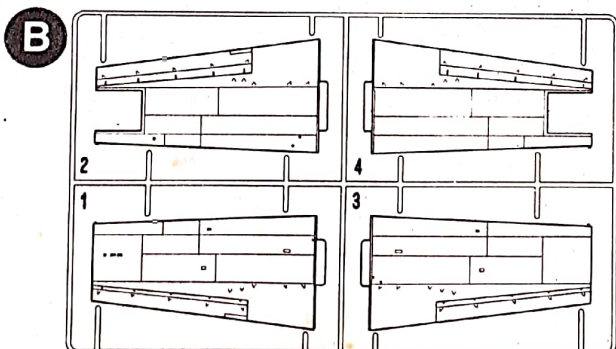
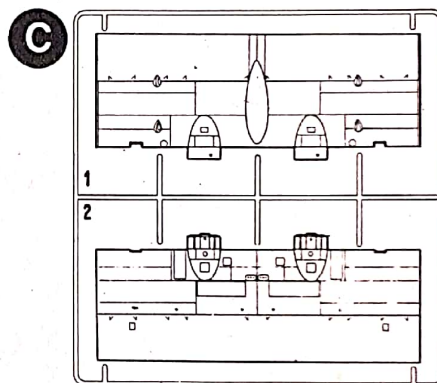
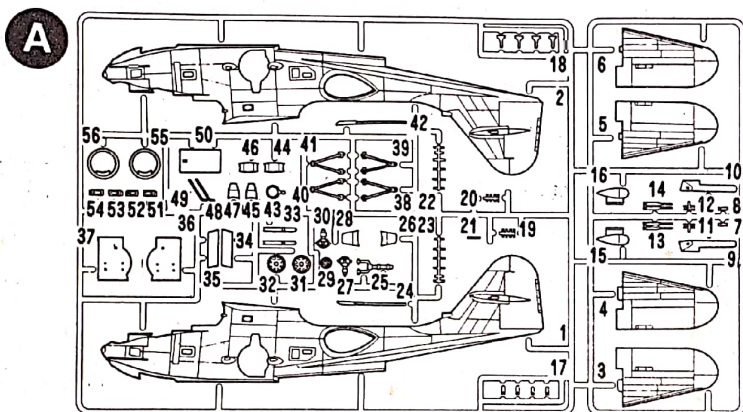
PAINING AND DECAL PLACEMENT

Aircraft is overall FLAT BLACK F.S.37038.





PARTS LOCATING DIAGRAM



TO RECEIVE A COPY OF THE NEWEST FULL
 COLOR MINICRAFT / ACADEMY CATALOG,
 SEND US \$ 5.00 (U.S.A. ONLY) OR \$ 6.00
 (FOREIGN) TO MINICRAFT MODELS, INC.
 P.O. BOX 3577 TORRANCE, CA 90510.

Unused parts: G2, G9, A14

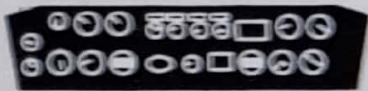
2137

**ACADEMY
 MINICRAFT**

©1994 Minicraft Models Inc.

PBY-5A BLACK CAT #2137

1



2



3



4



5

6

