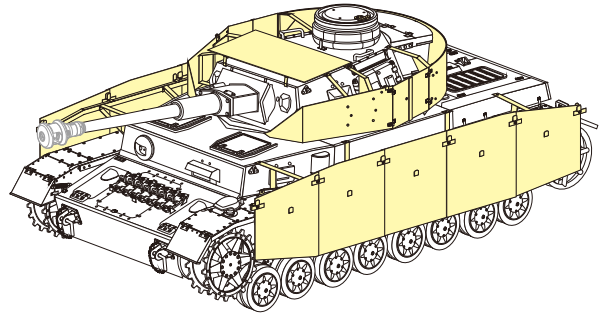


1/35 MILITARY MINIATURE VEHICLE UPGRADE SERIES PEA455

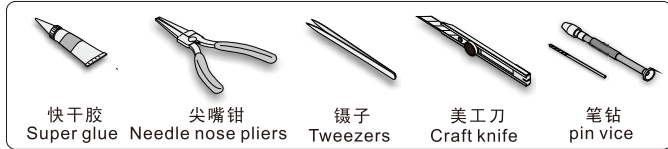
WWII German Panzer.IV Ausf.H Schurzen

二战德军IV号坦克H型侧裙改造件

[For RFM 5046]



推荐使用工具 RECOMMENDED TOOLS



↑
安装
install

↶
折叠
bend

A1
改造件零件编号
PE/resin part number

B12
原零件编号
kit part number

C22
被替换的原零件编号
replaced kit part number

◀▶
另一侧相同制作
repeat on opposite side

✂
切除
remove

🔪
打磨
grind off

📏
弧度卷曲
radial bending

✖
制作若干组
multiple assembly

↔
选择安装
alternative

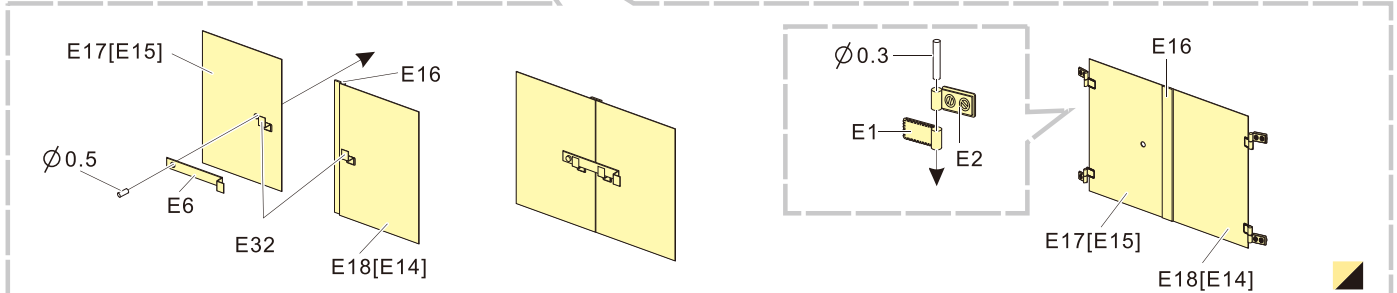
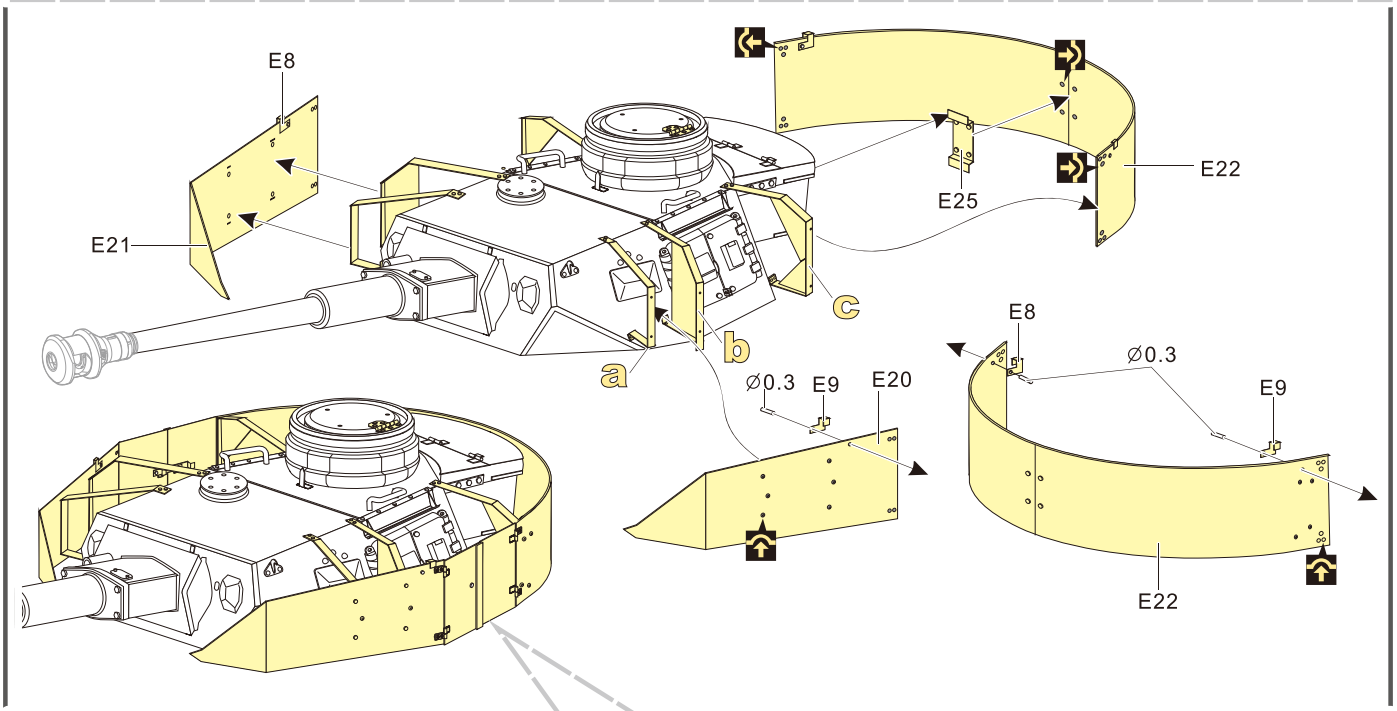
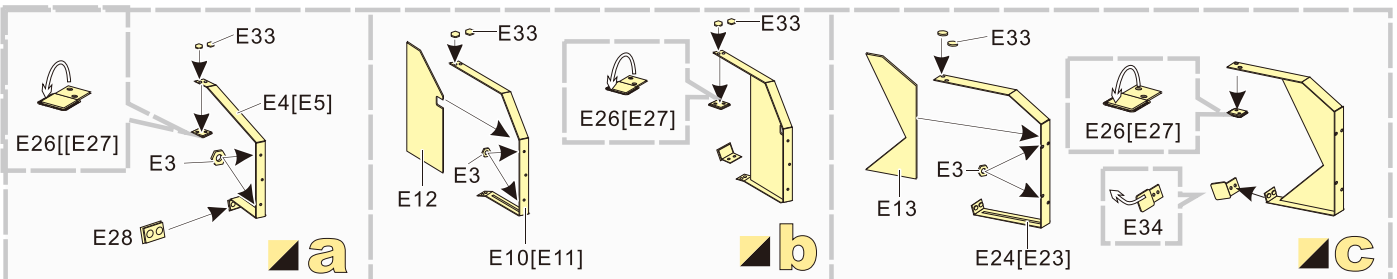
🔧
钻孔
drill

📏
用胶棒制作
make from plastic rod

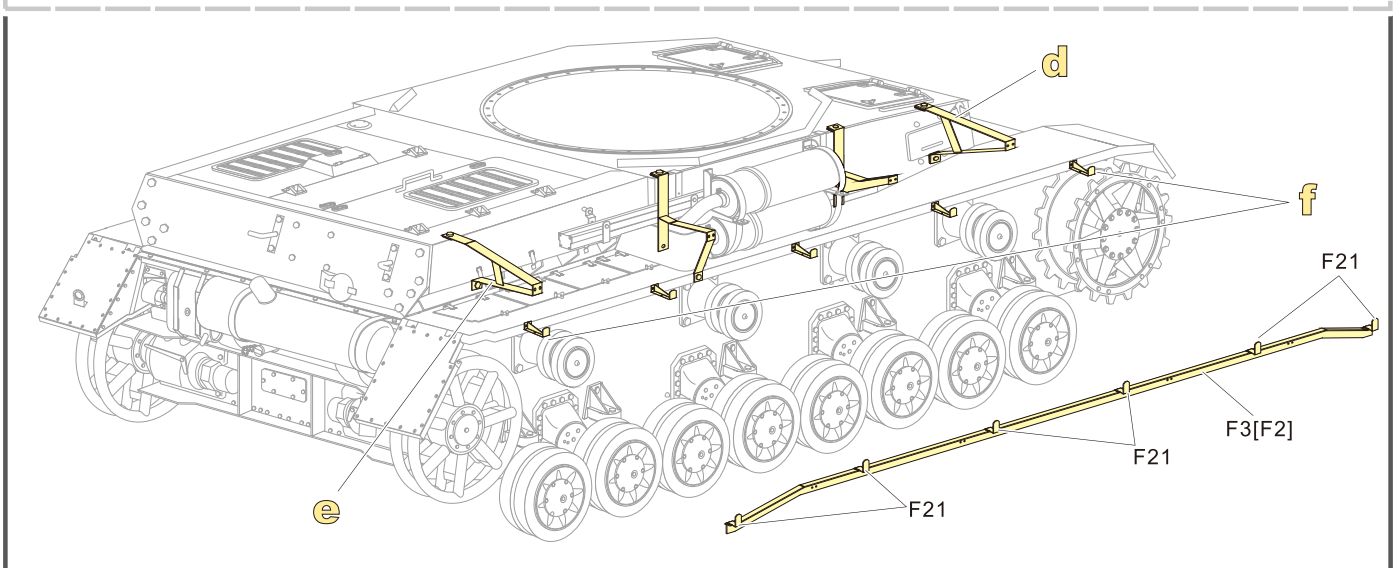
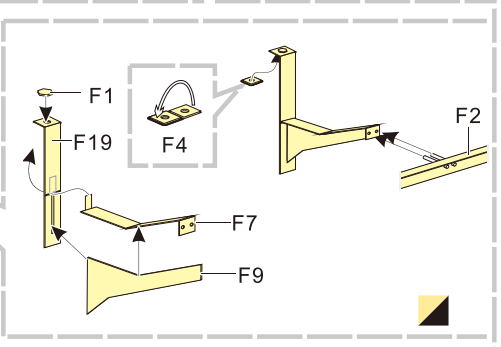
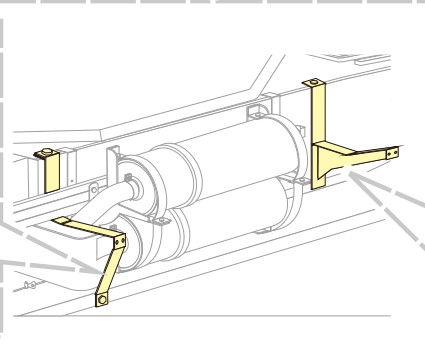
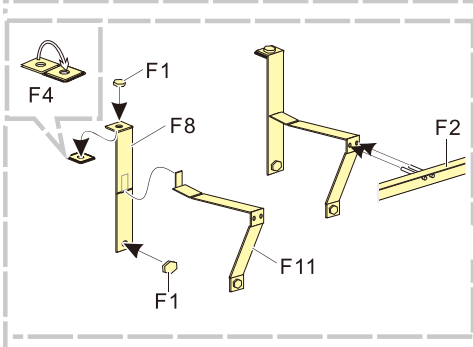
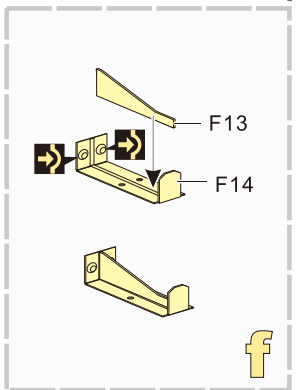
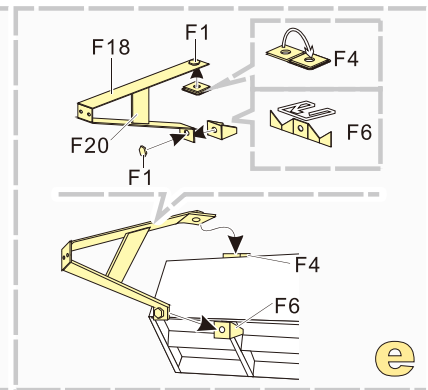
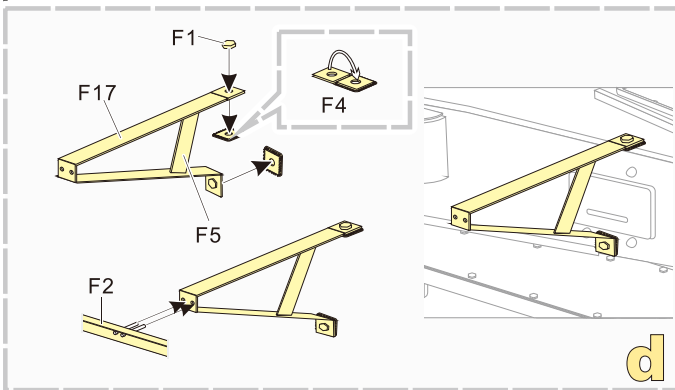
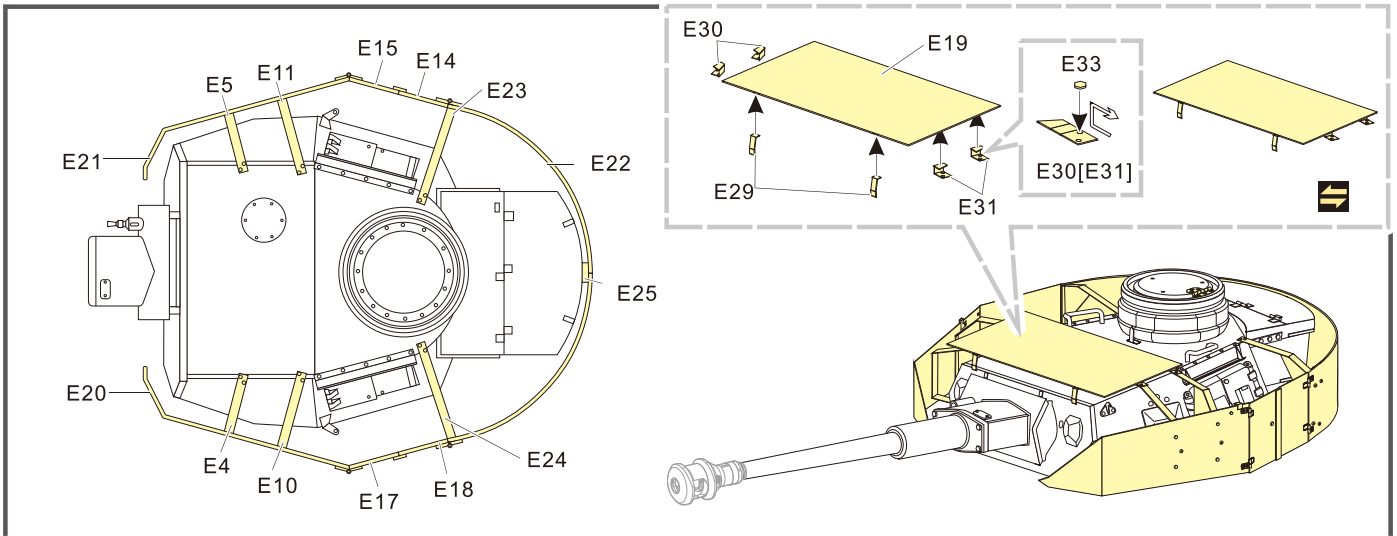
用尖端在凹槽处冲压
use penpoint to press on the dent

蚀刻片零件内侧面
Put the part upside down

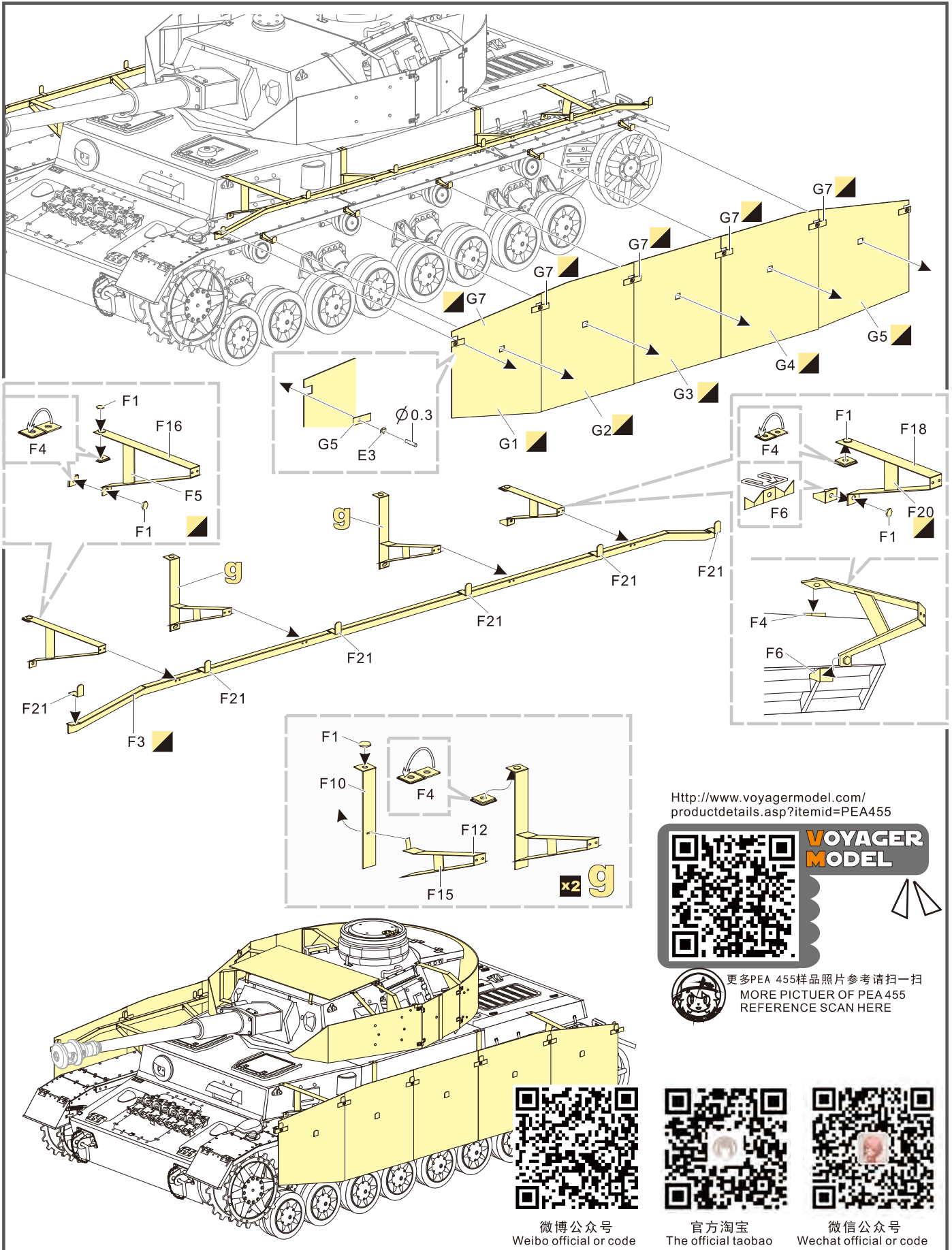
用笔尖在凹槽处刮
Use penpoint to press on the dent



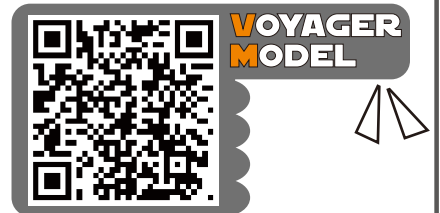
1/35 MILITARY MINIATURE VEHICLE UPGRADE SERIES PEA455



1/35 MILITARY MINIATURE VEHICLE UPGRADE SERIES PEA455



<http://www.voyagermodel.com/productdetails.asp?itemid=PEA455>



更多PEA 455样品照片参考请扫一扫
MORE PICTUER OF PEA 455
REFERENCE SCAN HERE



微博公众号
Weibo official or code



官方淘宝
The official taobao



微信公众号
Wechat official or code