

Visit an official website and e-shop at

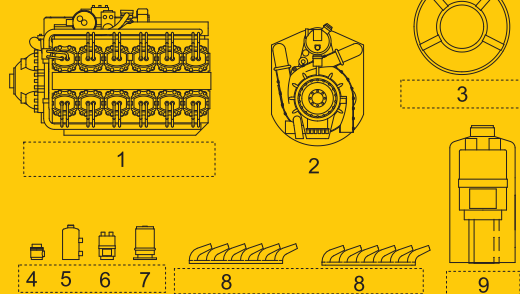
www.cmkkits.com

4215
1/48

**Napier
Sabre Mk.II**
British engine WW II



Polyurethane parts PUR



© CMK 2009

Díly ohnuté popř. pokroucené vlivem teplotních změn a stárnutí materiálu, mohou být narovnány do požadovaného tvaru pomocí proudu teplé vody nebo vzduchu (fén na vlasy).

Parts slightly distorted and bended owing to temperature changes or due to material ageing can be straightened to requested shape by hot water or hot air jet. (hair dryer)

This process can be repeated till result is entirely satisfactory.

K lepení použít kyanoakrylátové lepidlo!
For best result gluing use cyanoacrylate glue!

Kontaktní plochy doporučujeme před lepením odmastit
Contact areas ungrease is recommended before gluing.

CMK NEW ITEMS SETS 1/48

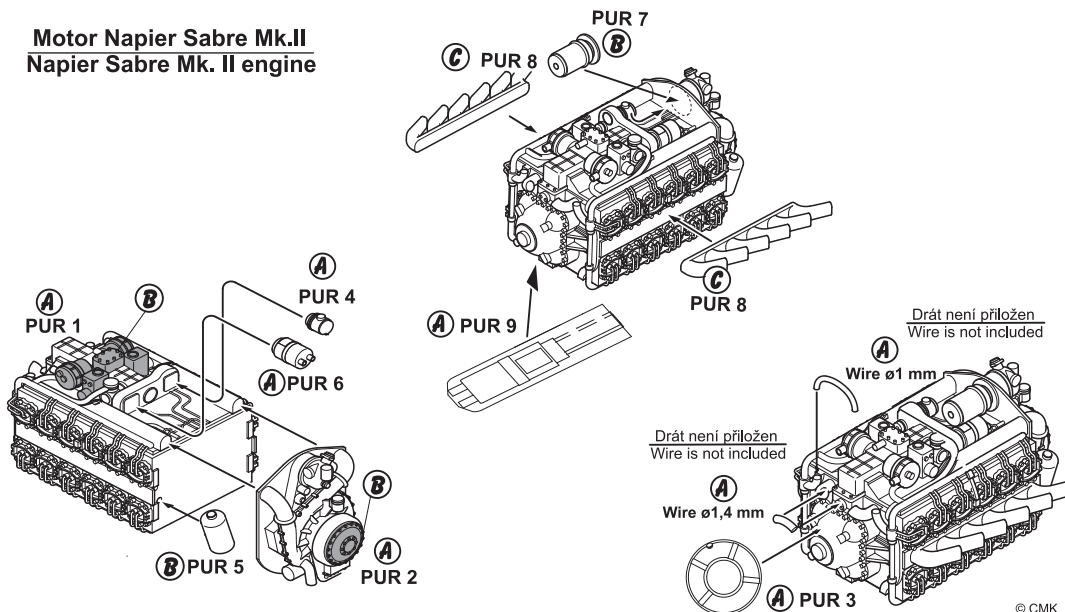
- | | |
|---|--|
| 4151 Hawker Typhoon Mk.Ib - interior set for Hasegawa kit | 4155 P-40E - undercarriage set for Hasegawa kit |
| 4153 P-40E - interior set for Hasegawa kit | 4156 P-40E - control surfaces set for Hasegawa kit |
| 4154 P-40E - armament set for Hasegawa kit | 4164 Hawker Typhoon Mk.Ib - undercarriage set for Hasegawa kit |

BARVY / COLORS

HUMBROL

- | | |
|--------------------------------------|-----|
| A Černá / Black | 33 |
| B Hliník / Aluminium | 56 |
| C Opálený kov / Rust | 113 |
| D Šedo zelená / Cockpit green | 78 |

Motor Napier Sabre Mk.II
Napier Sabre Mk. II engine



© CMK