



COMPLETE SET

APU - 13 1 3 2 4

APU - 60 15 33 33 14

APU - 73 5 6 7 8 5 6 7 8

APU - 23M1 LEFT 27 23 21 19 22 20 RIGHT 24 23 25 26 22 27

APU - 68 30 28 29 30 34 35

PK VP - 23

BD3-60-23 LEFT 9 11 12 13 RIGHT 13 11 12 10

PTB-800L PILONS 31 32

APU - 60-2 RIGHT 18 14 16 15 LEFT 16 15 17 14

UNDERWING FUEL TANK PTB-800 36 38 37

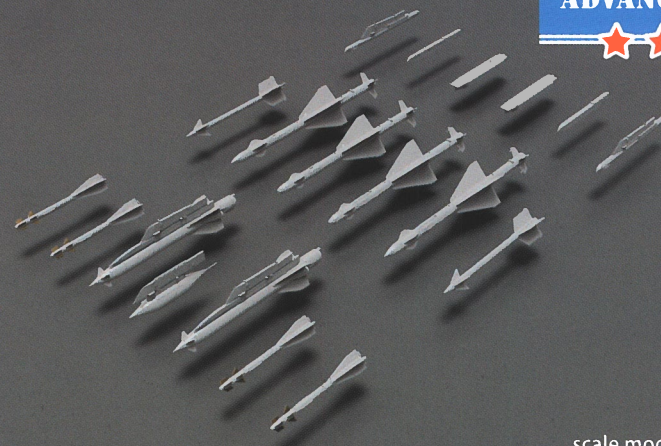
UNDERBELLY FUEL TANK PTB-800 36 39



MIG-23 WEAPON SET

1:72
#CPW72001

ADVANCED



scale model kit

NUMBER OF PARTS: 142 pcs

1 stages of assembly

? optional

A variants of assembly

glue by super glue

A1 part number

do not glue

1 separate details

make a hole

1 apply decals

detach with knife

1 apply the adhesive mask

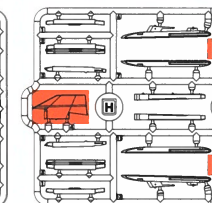
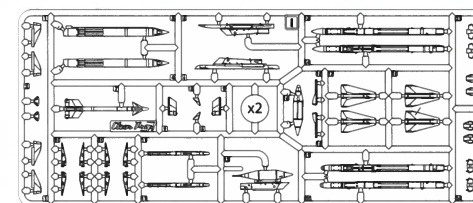
paint

bend

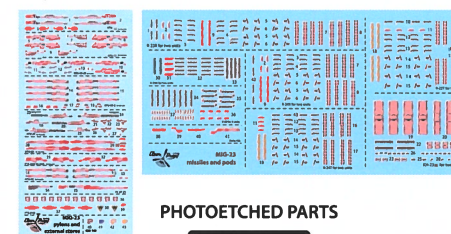
repeat the operation N times

THIS SET CONTAINS

PLASTIC PARTS



DECAL SHEETS



LIST OF WEAPON

1. Kh-23M with APU-68 - 2 pcs
2. R-13M with APU-13B5 - 2pcs
3. R-60 - 4pcs
4. APU-60 for R-60 - 2 pcs
5. APU-60-2 for R-60 - 2pcs
6. R-23R - 2 pcs
7. R-23T - 2 pcs
8. R-24R - 2 pcs
9. R-24T - 2 pcs
10. APU-23M1 for R-23/R-24 - 2 pcs
11. DELTA-NG targeting pod for Kh-23 - 2 pcs
12. PKiVP pylon for drop tank - 1 pcs

PHOTOETCHED PARTS



Parts not for use

REQUIRED PAINTS

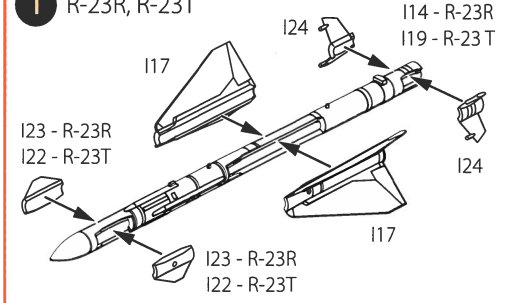
- A** MR. COLOR 11 A.MIG-0209 GREY
- B** MR. COLOR 1 A.MIG-0050 WHITE
- C** MR. COLOR 8 A.MIG-0195 SILVER
- D** MR. COLOR 41 A.MIG-0014 RED BROWN
- E** MR. COLOR 2 A.MIG-0046 BLACK
- F** MR. COLOR 332 A.MIG-0212 LIGHT GREY
- G** MR. COLOR 137 A.MIG-0033 TIRE BLACK



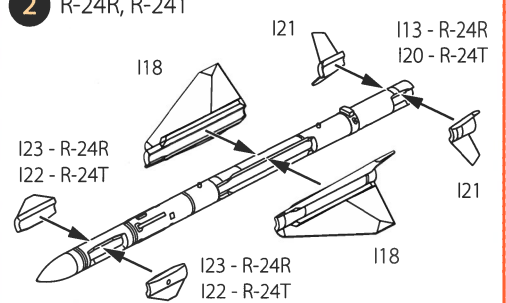
THIS MODEL IS PRODUCED FOR EXPERIENCED MODELERS OVER 14 YEARS



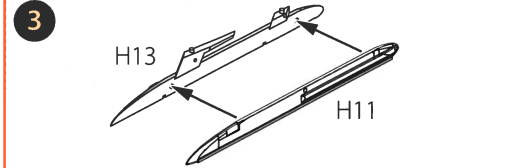
1 R-23R, R-23T



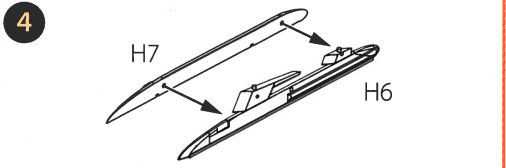
2 R-24R, R-24T



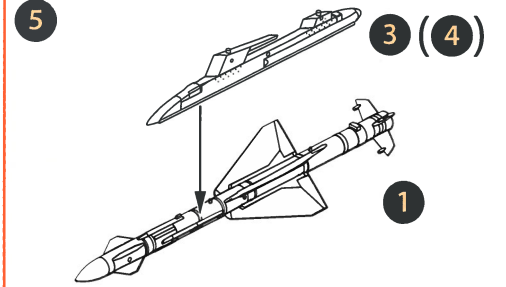
3



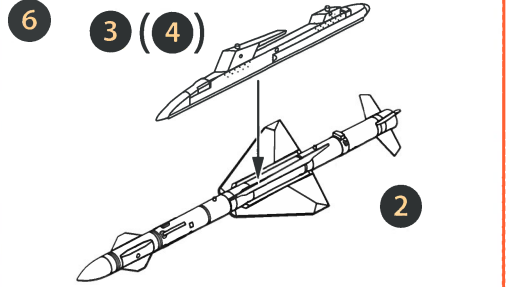
4



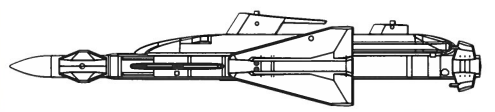
5



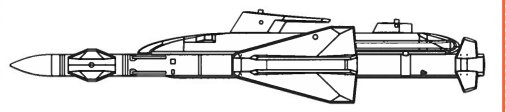
6



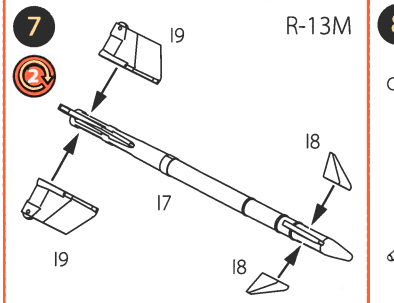
REFERENCE VIEW 1:1



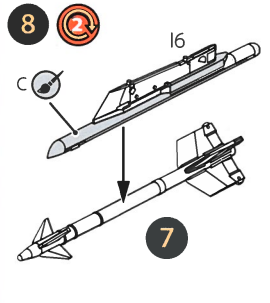
REFERENCE VIEW 1:1



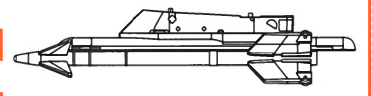
7 R-13M



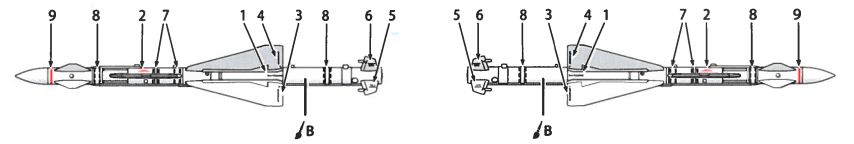
8



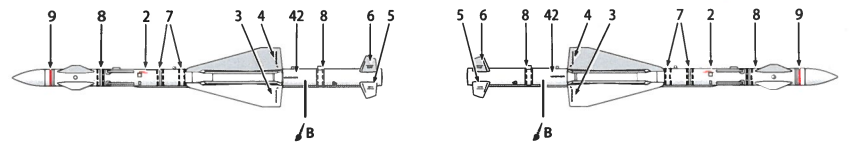
REFERENCE VIEW 1:1



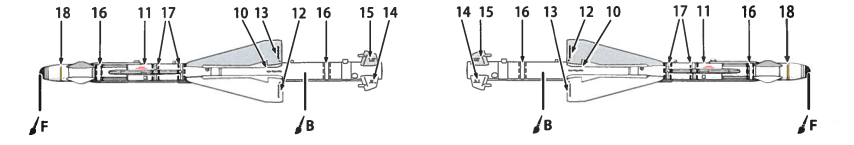
R-23R



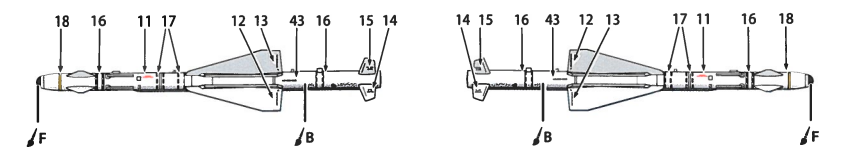
R-24R



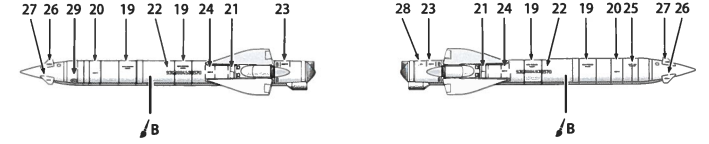
R-23T



R-24T



Kh-23M



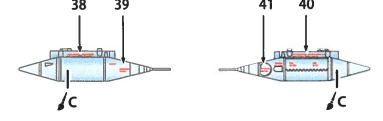
R-13M



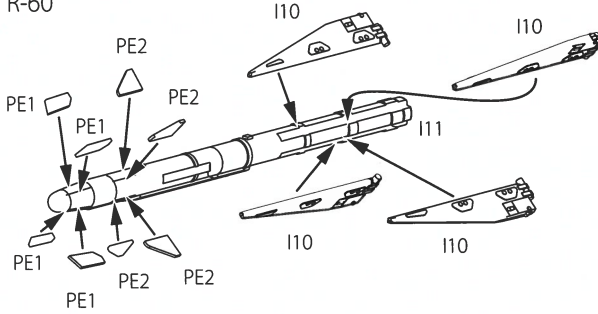
R-60



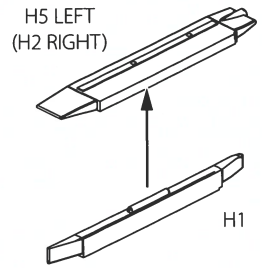
DELTA-NG



9 R-60

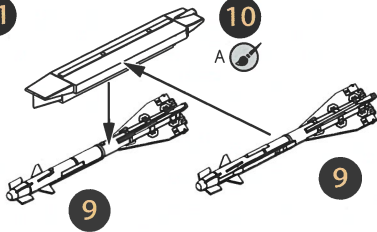


10

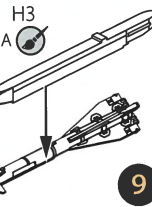


11

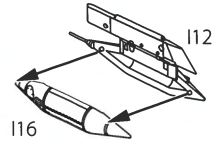
10



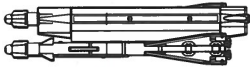
12



13 Delta-NG



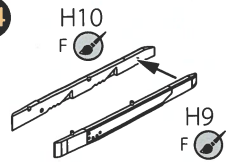
REFERENCE VIEW 1:1



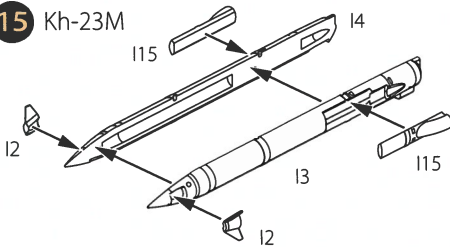
REFERENCE VIEW 1:1



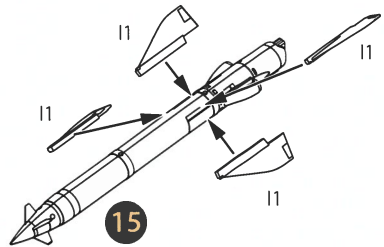
14



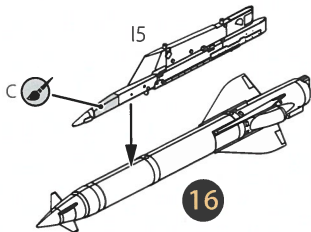
15 Kh-23M



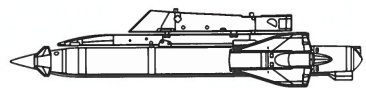
16

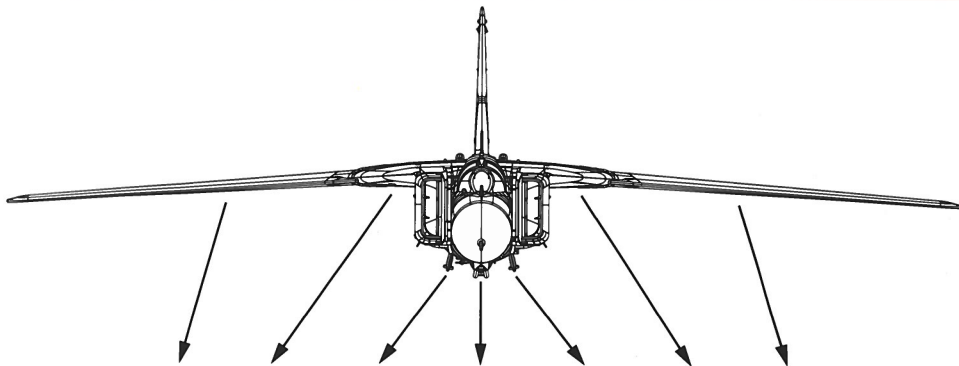


17



REFERENCE VIEW 1:1





PTB-800	14					
	PTB-800 *			PTB		PTB-800 *
2 x R-60		I6	H3		H3	I6
2 x R-13M		R-13M	R-60		R-60	R-13M
4 x R-60 **		I6	10		10	I6
2 x R-13M		R-13M	2 x R-60		2 x R-60	R-13M
2 x R-23T		3	H3		H3	4
2 x R-60		R-23T	R-60		R-60	R-23T
2 x R-23R		3	H3		H3	4
2 x R-60		R-23R	R-60		R-60	R-23R
2 x R-23T		3	10		10	4
4 x R-60 **		R-23T	2 x R-60		2 x R-60	R-23T
2 x R-23R		3	10		10	4
4 x R-60 **		R-23R	2 x R-60		2 x R-60	R-23R
1 x R-24R		3	H3		H3	4
1 x R-24T						
2 x R-60		R-24T	R-60		R-60	R-24R
1 x R-24R		3	10		10	4
1 x R-24T						
4 x R-60 **		R-24T	2 x R-60		2 x R-60	R-24R
2 x Kh-23M		I5				I5
DELTA-NG POD		Kh-23M	I16+I17			Kh-23M

* PTB-800 only in 16 degrees wing position

** Possible variants of weapon loading of R-60 and PTB-800 under the fuselage:

- 2 x R-60 + PTB-800

or

- 4 x R-60