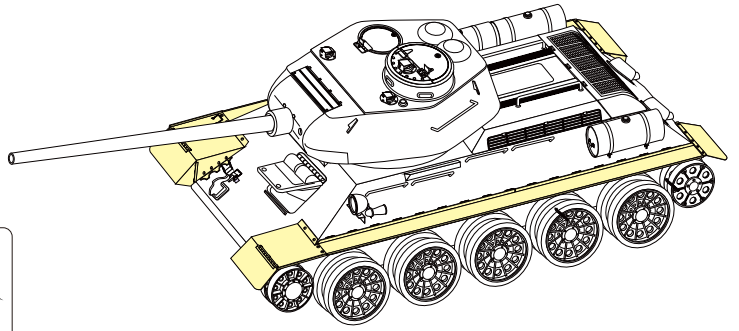


1/35 MILITARY MINIATURE VEHICLE UPGRADE SERIES PE351145

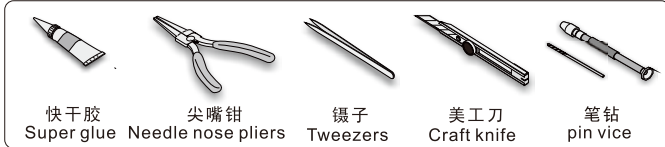
WWII Russian T-34/85 Fenders











二战苏联T-34/85 翼子板


[For ZVEZDA 3687]



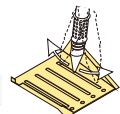
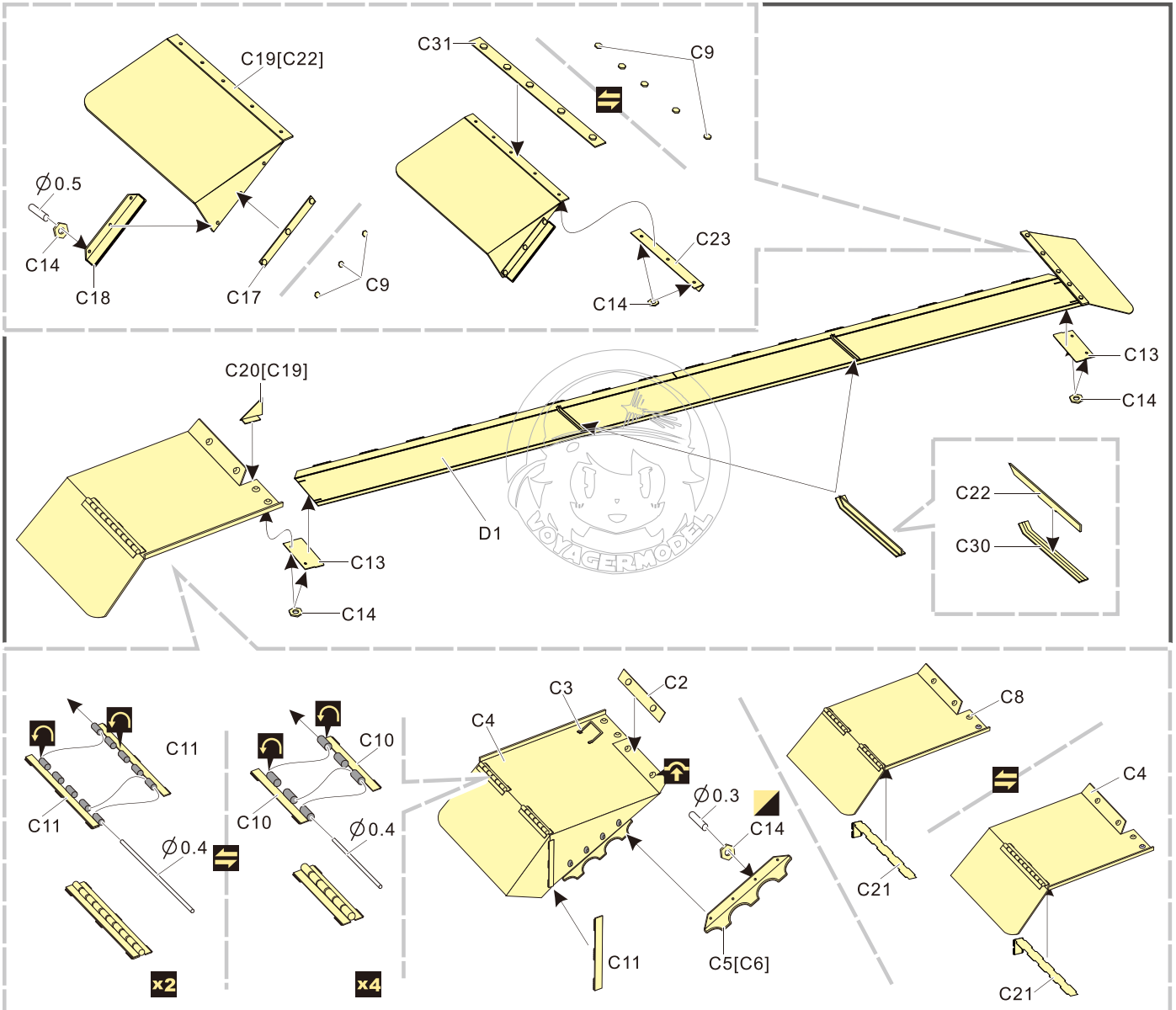
推荐使用工具 RECOMMENDED TOOLS



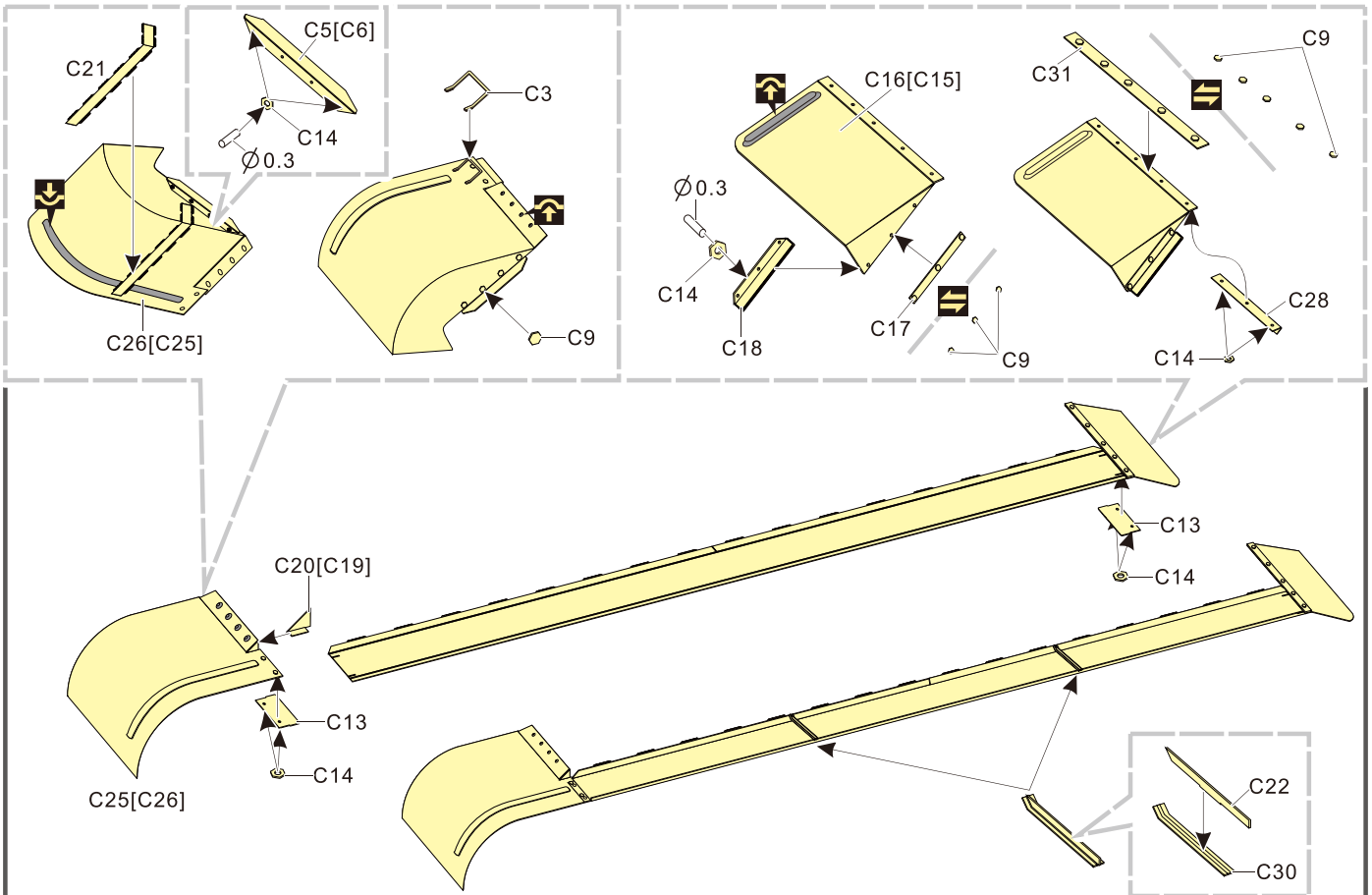
- 
 安装
install
- 
 折叠
bend
- A1**
 改造件零件编号
PE/resin part number
- B12**
 原零件编号
kit part number
- C22**
 被替换的原零件编号
replaced kit part number
- 
 另一侧相同制作
repeat on opposite side
- 
 切除
remove
- 
 打磨
grind off
- 
 弧度卷曲
radial bending
- 
 制作若干组
multiple assembly
- 
 选择安装
alternative
- 
 钻孔
drill
- 
 用胶棒制作
make from plastic rod


 用尖端在凹槽处冲压
use penpoint to press on the dent

蚀刻片零件内朝面向上
Put the part upside down
 用笔尖在凹槽处刺
Use penpoint to press on the dent

1/35 MILITARY MINIATURE VEHICLE UPGRADE SERIES PE351145

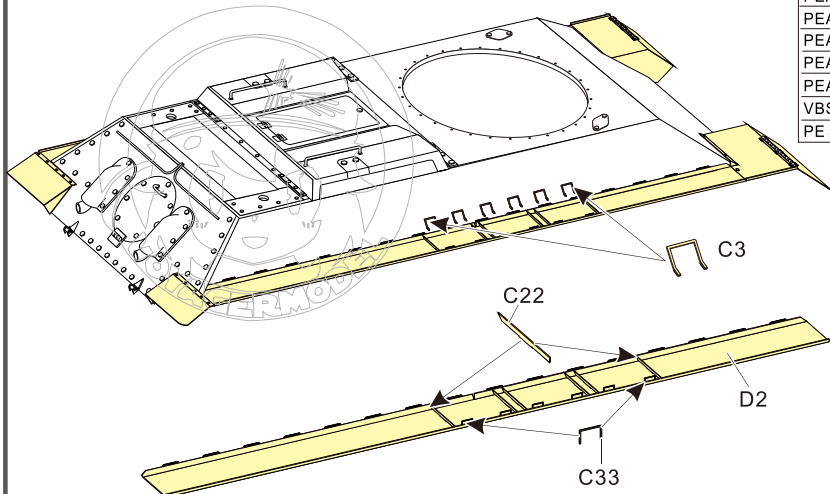
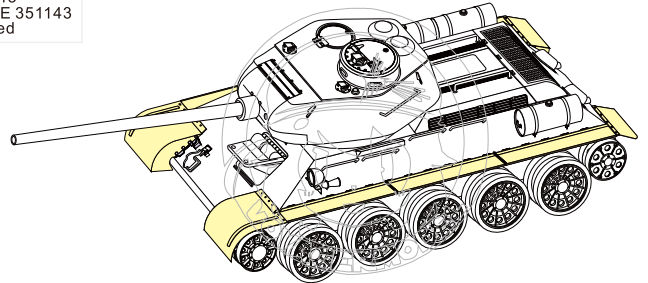
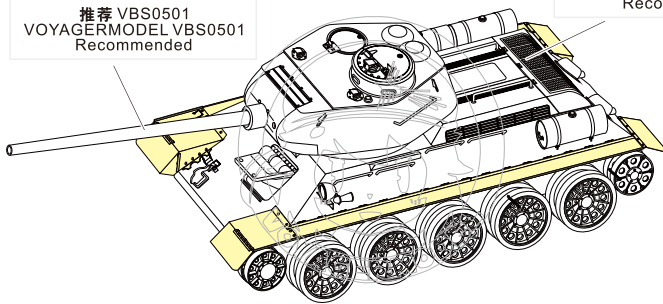


Late type for T-34/85 use only

Early type for T-34/85

推荐 VBS0501
VOYAGERMODEL VBS0501
Recommended

推荐 PE 351143
VOYAGERMODEL PE 351143
Recommended



VOYAGERMODEL® 无微不至 极致享受

Recommended item

PEA 421	WWII Soviet tank exterior tanks and smoke generators 2.0
PEA 451	WWII Russian T-34/85 "Thoma shields" wire mesh schürzen
PEA 079	WWII Russian T-34/76 or T-34/85 Ice cleats set
PEA 084	WWII USSR T-34/85 or JS-2 Bedspring Armor(Berlin offensive)version 1
PEA 085	WWII USSR T-34/85 Bedspring Armor?Berlin offensive?version 2
VBS 0501	Russian T-34/85 Mid Tank Gun Barrel
PE 351144	WWII Russian T-34/85 Production Basic

[Http://www.voyagermodel.com/productdetails.asp?itemid=PE351145](http://www.voyagermodel.com/productdetails.asp?itemid=PE351145)



**VOYAGER
MODEL**



更多PE351145样品照片参考请扫一扫
MORE PICTUER OF PE 351145
REFERENCE SCAN HERE