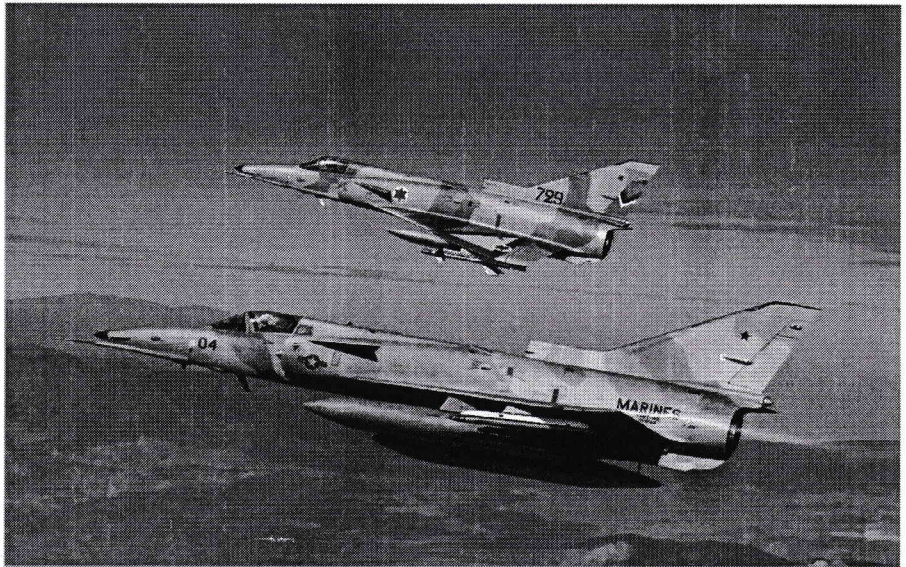


F-21

**IAF KFIR C1/
USMC F-21A LION**



1/48 F-21

First flown in June 1973, the Kfir C1 was in essence the airframe of Mirage III/IV series with the General Electric J79 afterburning turbojet and fitted with a suite of Israeli electronics. The Kfir C1 entered only limited production (27 aircrafts).

Kfir C1 fighters with small canards but no armament were delivered to the US Navy and Marine Corps with the designation F-21A for use as aggressor aircraft in dissimilar air combat training.

F-21 fighter jets specifically manufactured to meet the requirements of the US Navy and the US Air Force training programmes.

Kfir can fly at an altitude of 30,000m with a maximum speed of 2,285km/h over a range of 1,300km. The advanced aircraft has the capacity to carry 7,290kg air-to-air and air-to-surface missiles, bombs and munitions on two hardpoints. The maximum takeoff weight is 14,600kg whereas combat radius and service ceiling are 768km and 18,000m.



Drill



Remove



2 Set



Bend



Optional



Decal



Super Glue



Fill Hole



No Cement



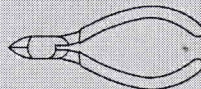
Be Careful

TOOLS RECOMMENDED

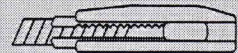
Cement



Side Cutter



Modeling Knife



Tweezers



CAUTION

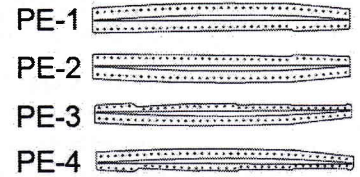
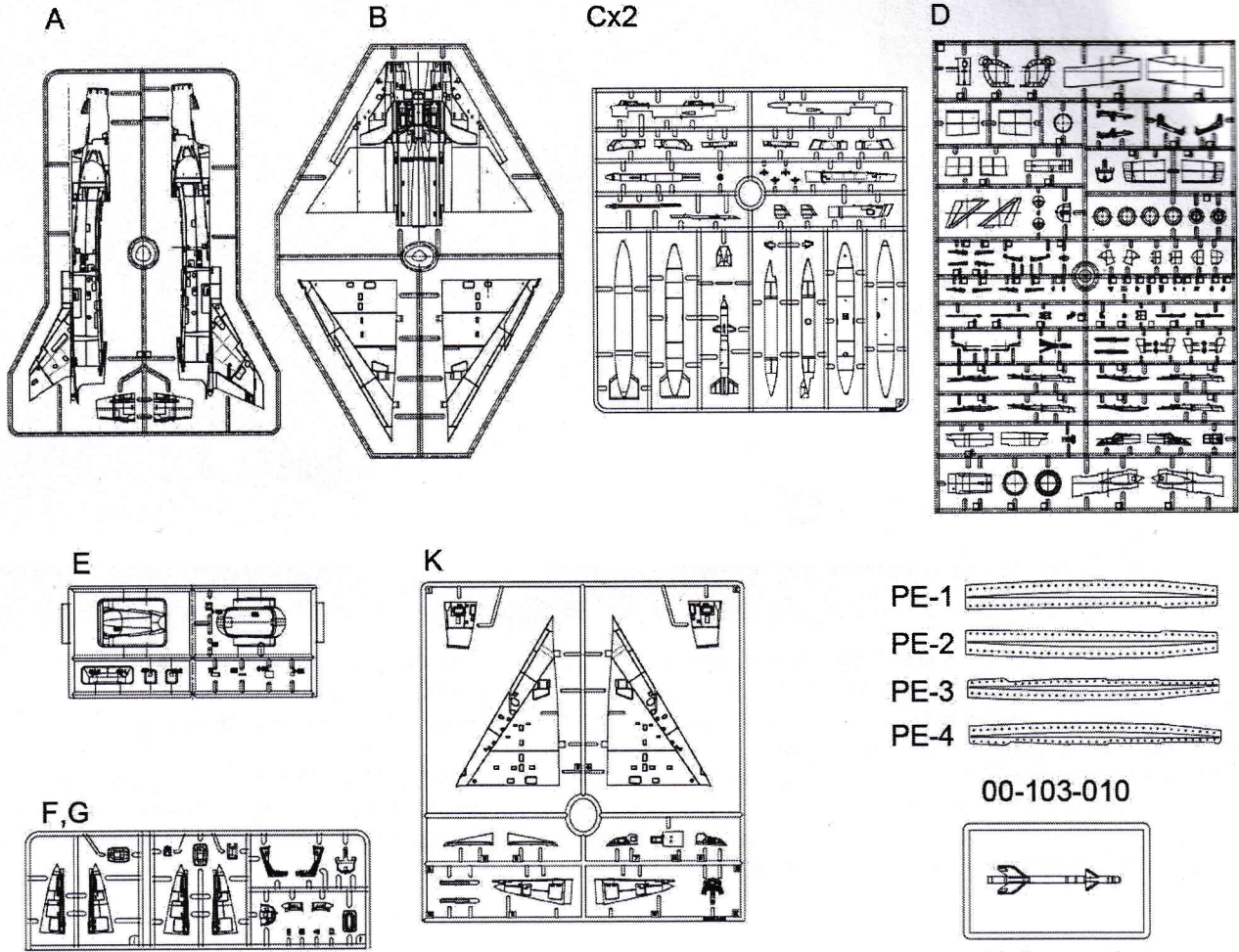
*Read carefully and fully understand the instructions before commencing assembly.

*Keep out of reach of children. Children must not be allowed to put any parts in their mouths, or pull plastic bag over their heads.

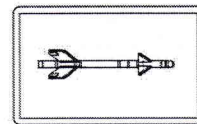
*When using adhesives and paints, please make sure not to use them in closed room or near the fire.

*When assembling this kit, tools including knives are used. Extra care should be taken to avoid injury.

WARNING: CONTAIN SMALL PARTS NOT FOR CHILDREN UNDER 14 YEARS OF AGE.



00-103-010



Python x 2

PAINT INDEX

COLOR	VALLEJO MODEL COLOR	MODEL AIR	GSI CREOS MR. COLOR	ITALERI ARCYLICPAINT
FLAT BLACK	950	057	33	4768AP
GLOSS WHITE	951	001	1	4796AP
CLEAR RED	934	-	47	-
LIGHT GHOST GREY (FS36375)	154	-	308	4762AP
USA OLIVE DRAB	889	-	38	-
DESSERT TAN (FS 33531)	-	71075	313	-
SKY (FS 34424)	885	-	-	-
DESSERT BROWN (FS 30219)	-	71026	310	-
DARK GHOST GREY (FS 36320)	-	71047	307	-

950 denotes Vallejo Model Color

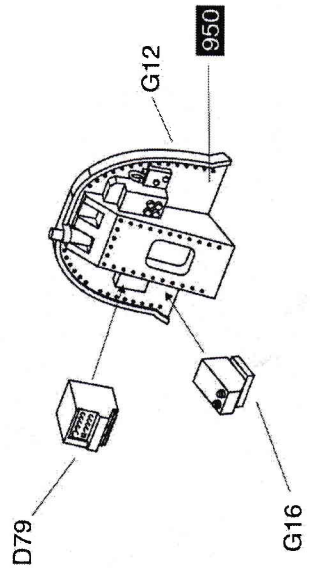
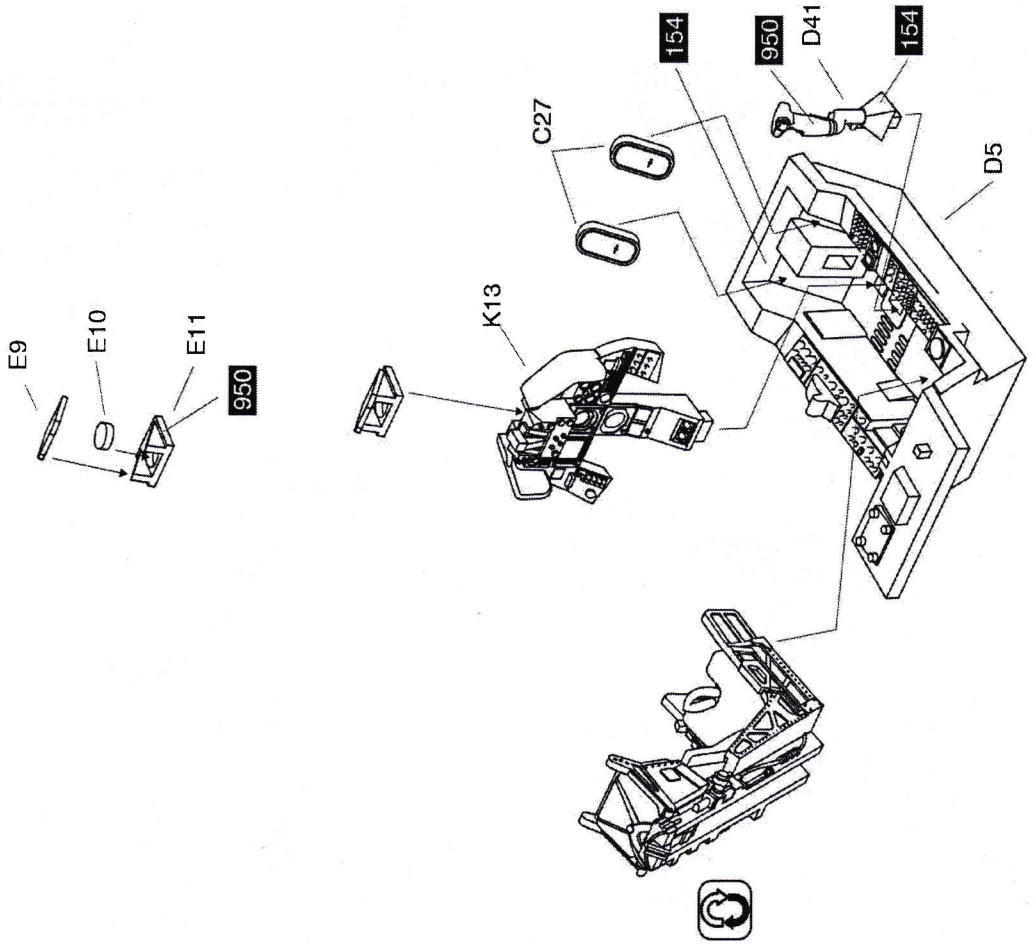
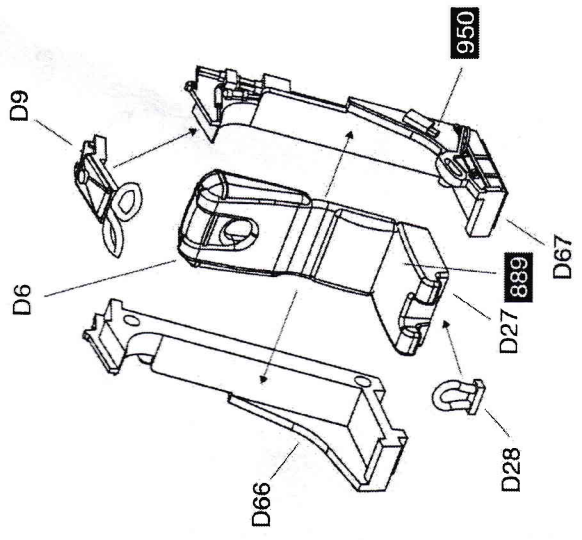
AFTERMARKET SERVICES CARD

When requesting replacement parts, please take or send this form to your local dealer so that the parts required can be correctly identified. Please note that specifications and availability are subject to change without notice.

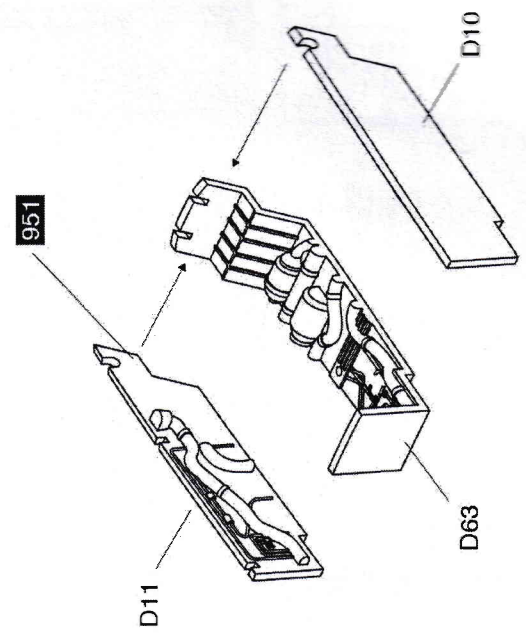
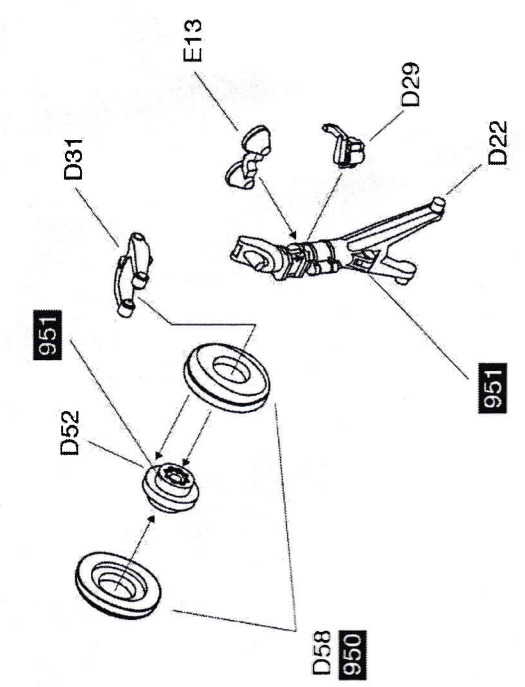
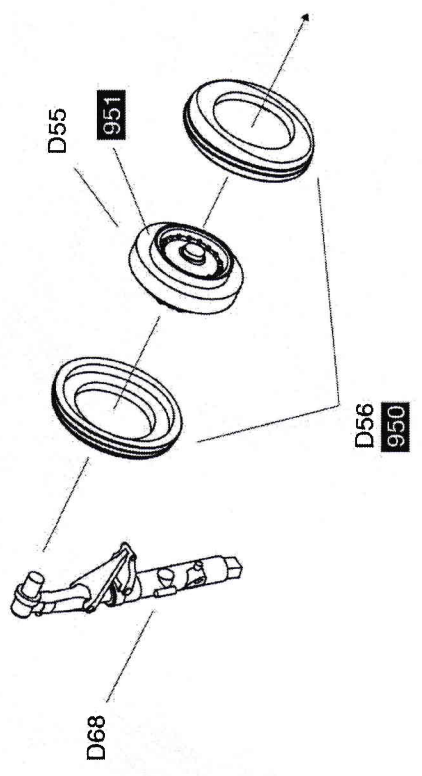
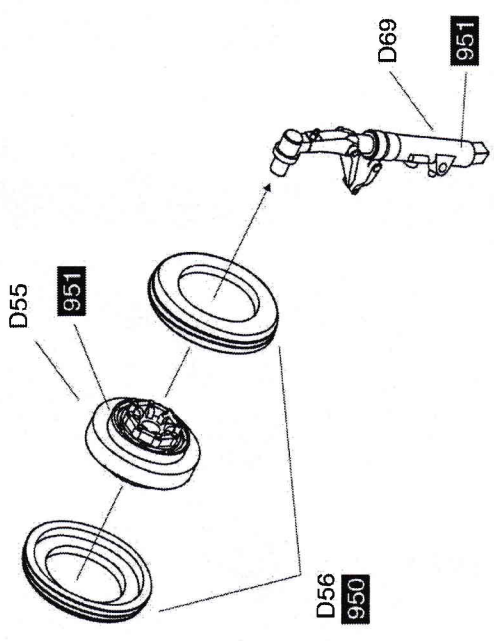
or visit <http://www.kineticmodel.com> for latest information.
For more information, please contact services@kineticmodel.com

Part No.	Item
00-137-001	A
00-137-002	B
00-137-003	C
00-137-004	D
00-137-005	E
00-137-006/7	F,G
00-137-011	K
00-103-010	Python-3
03-137-48053	Manual
01-137-48053	Decal
06-137-48053	PE

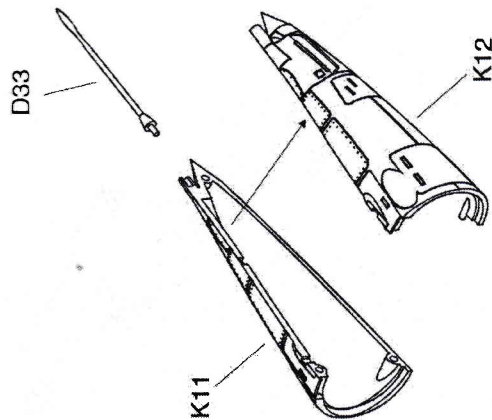
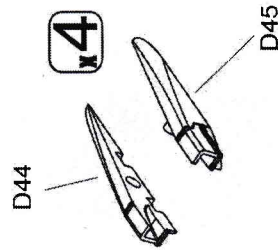
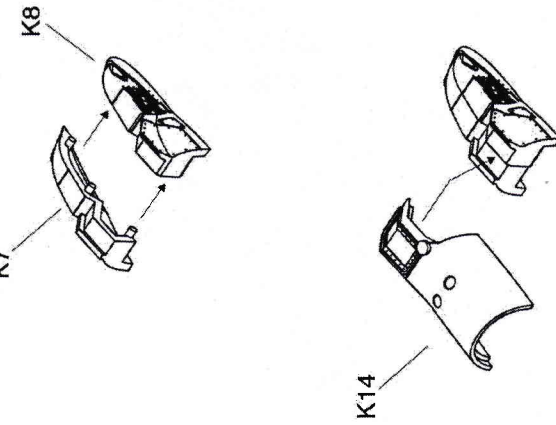
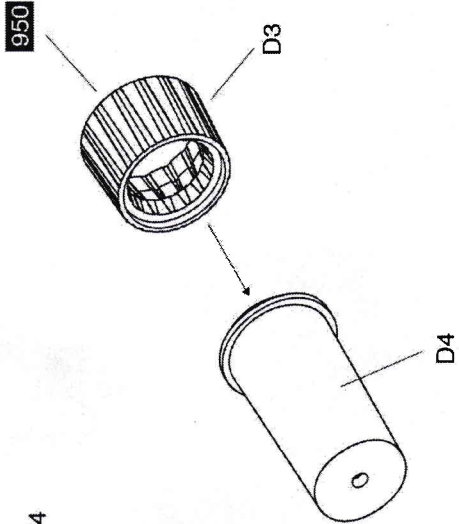
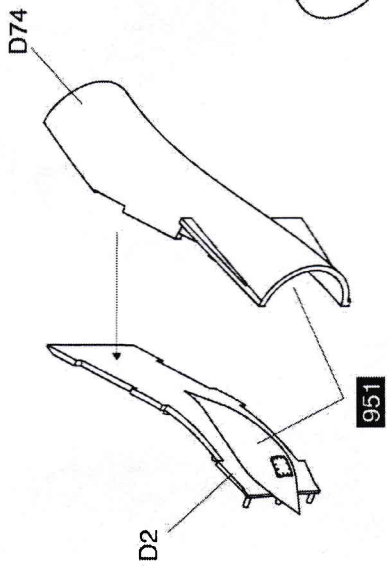
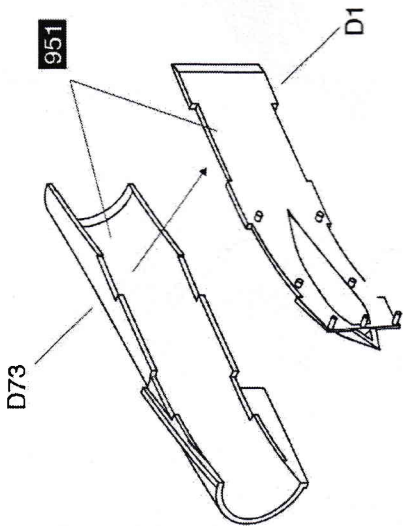
1

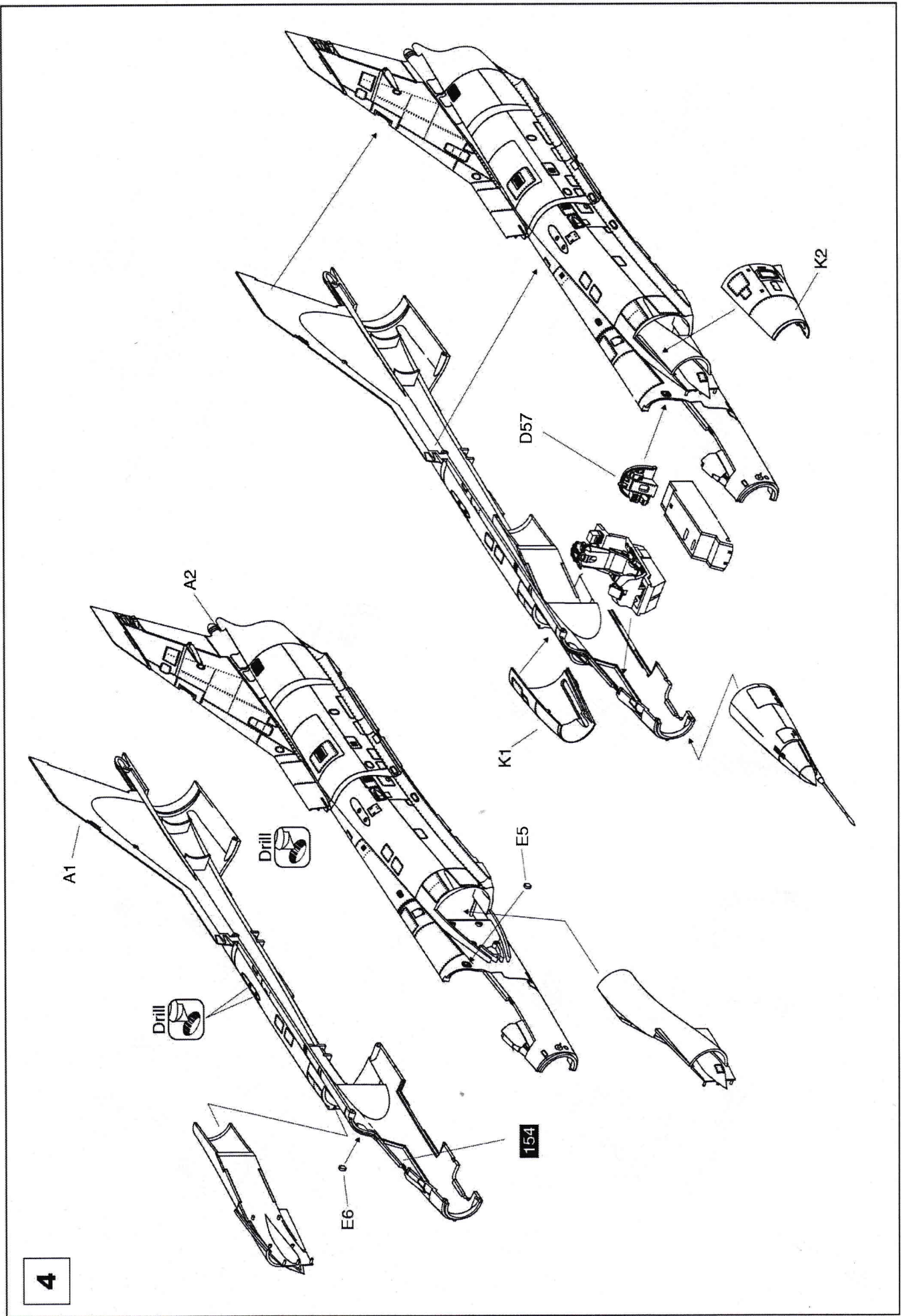


2

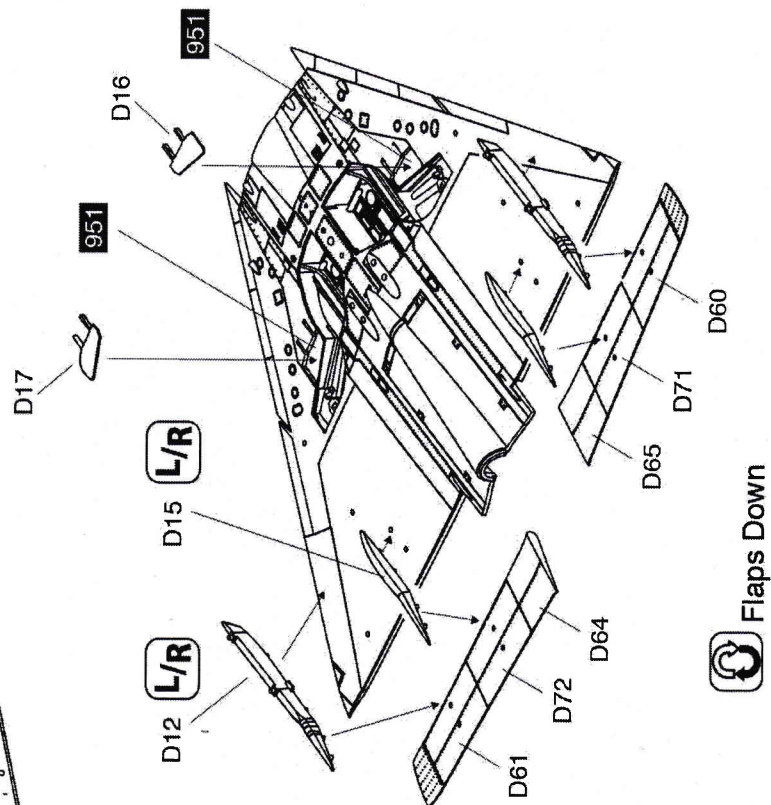
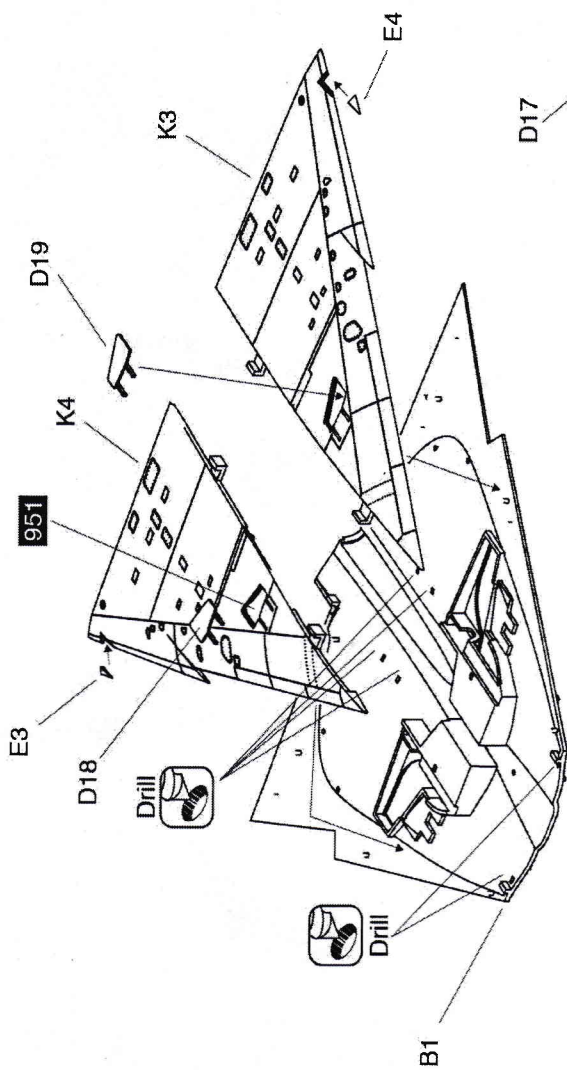


3

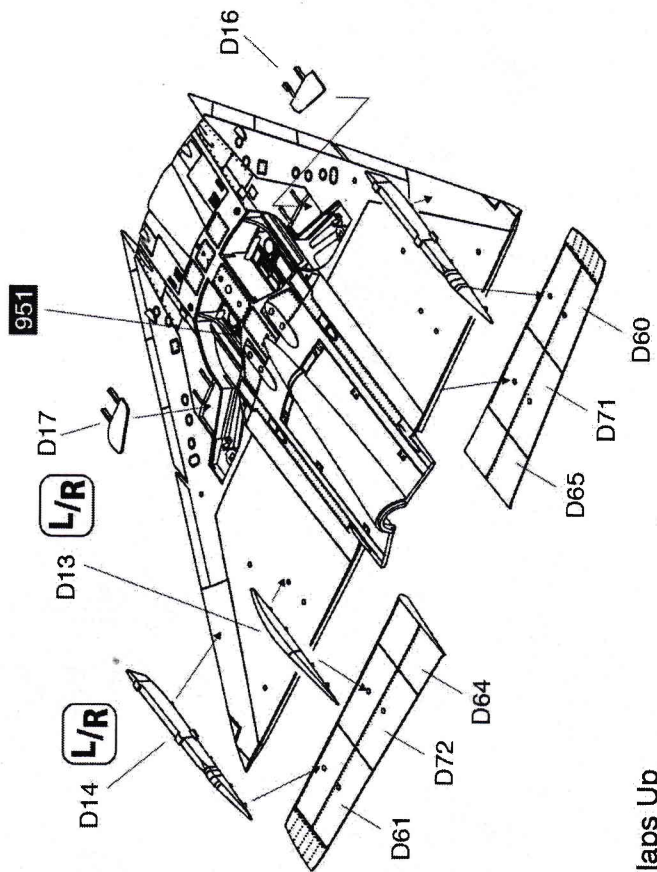




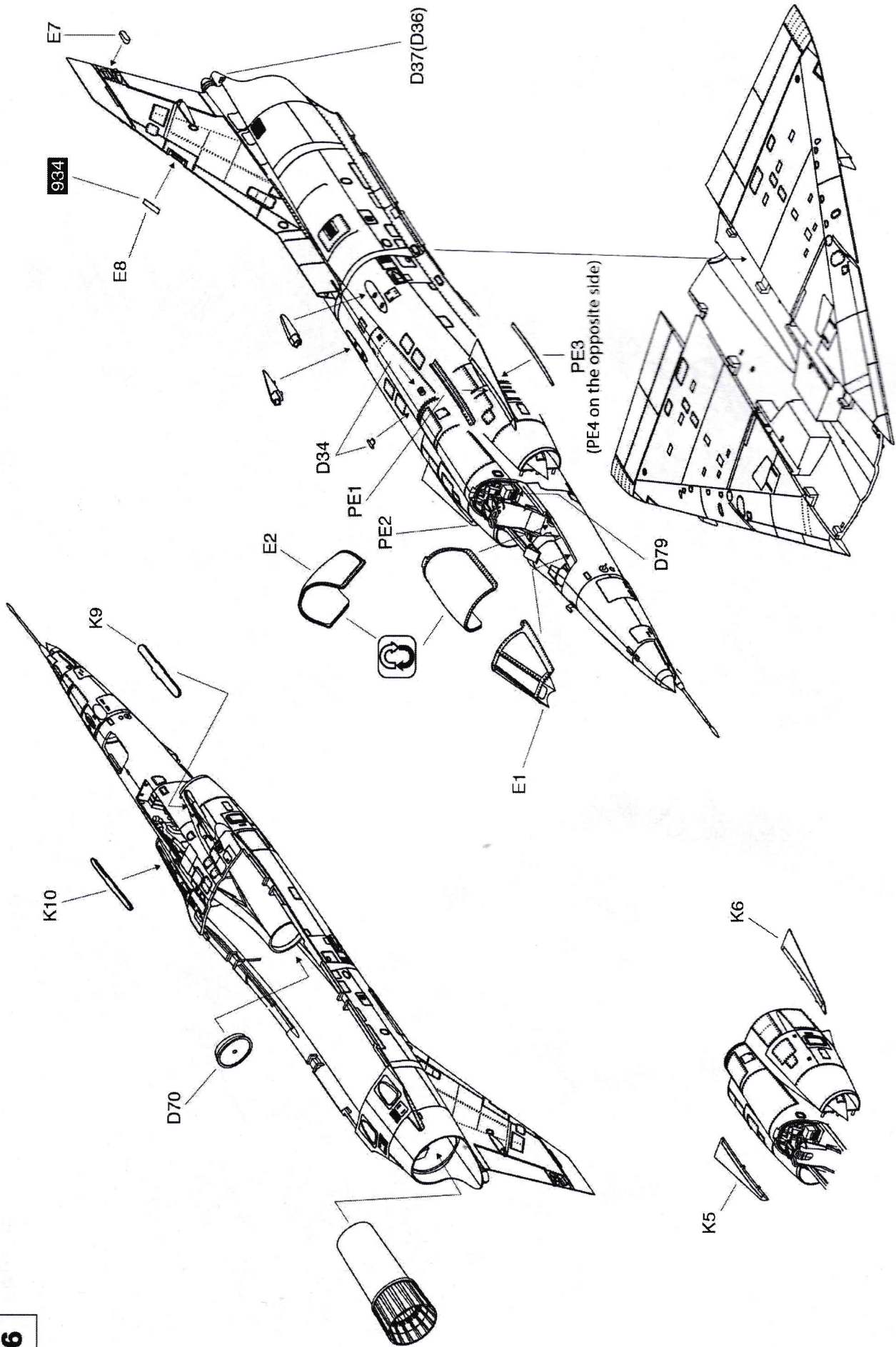
5



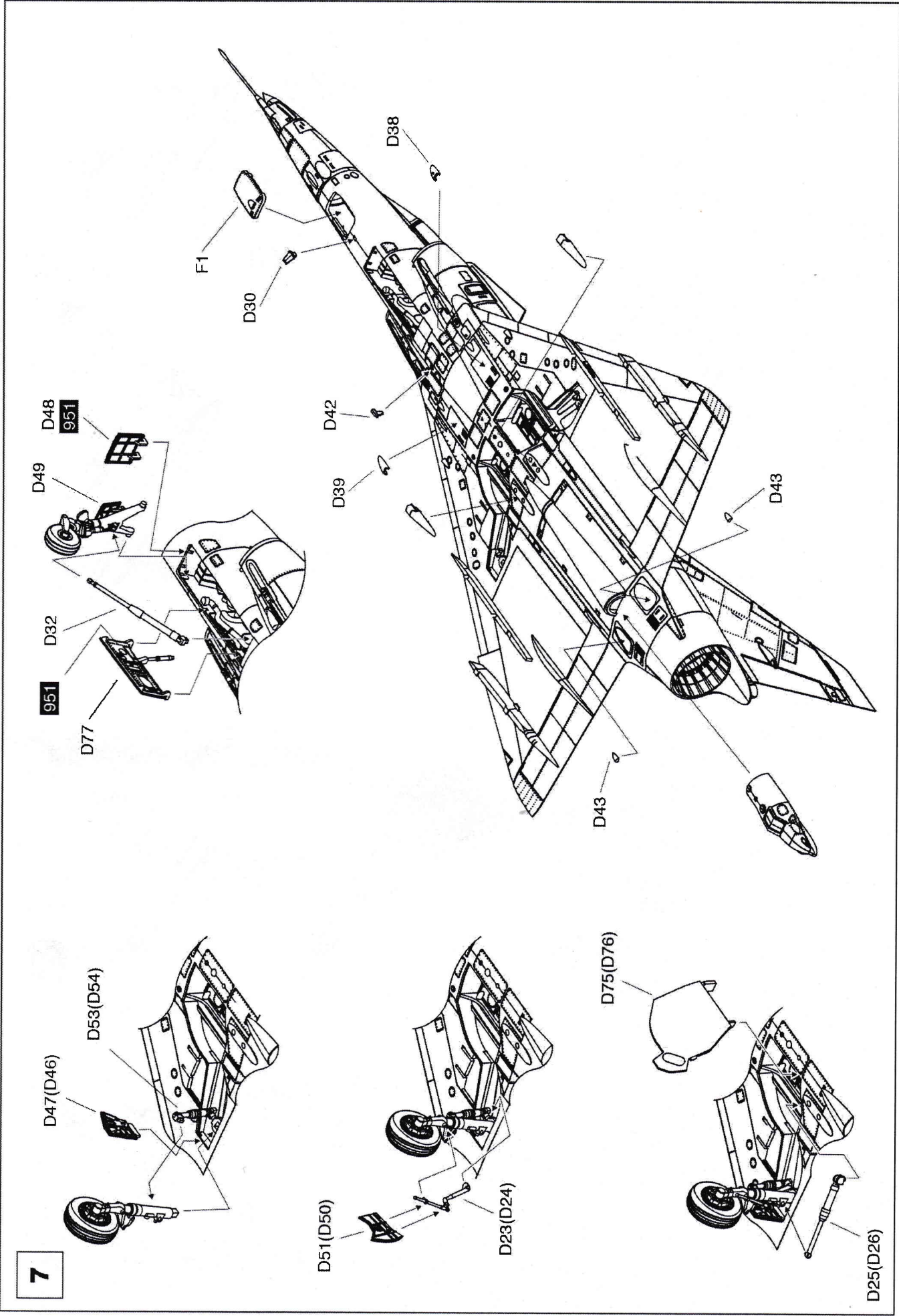
 Flaps Down



 Flaps Up



6



8

