

Ka-50 Stub wings with AT-16 Scallion and B-8V20

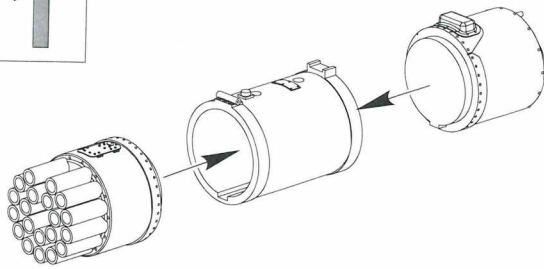
for Italeri/Revell kit

MDR 48122

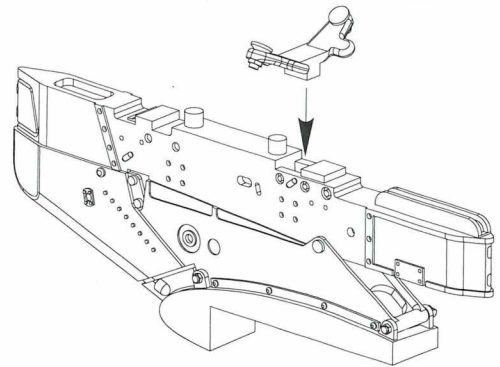
scale 1/48

www.metdetails.com

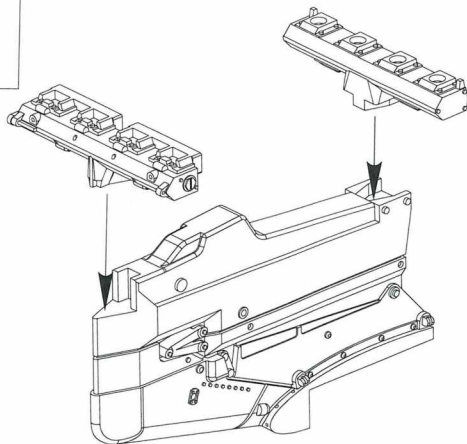
1



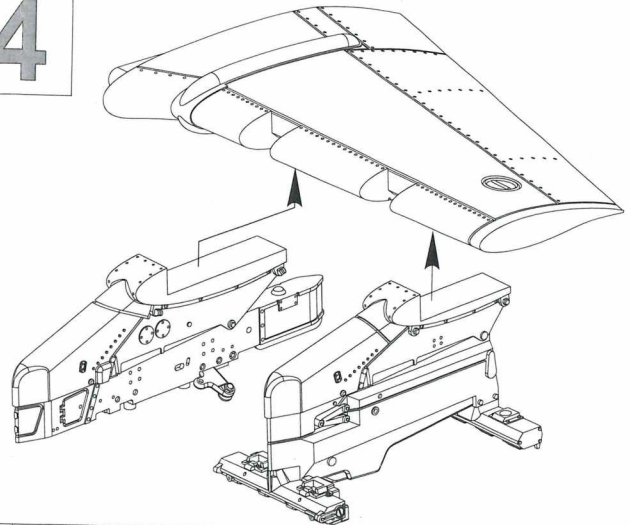
2



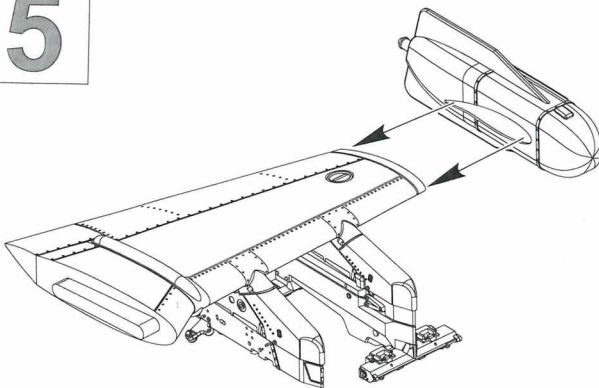
3



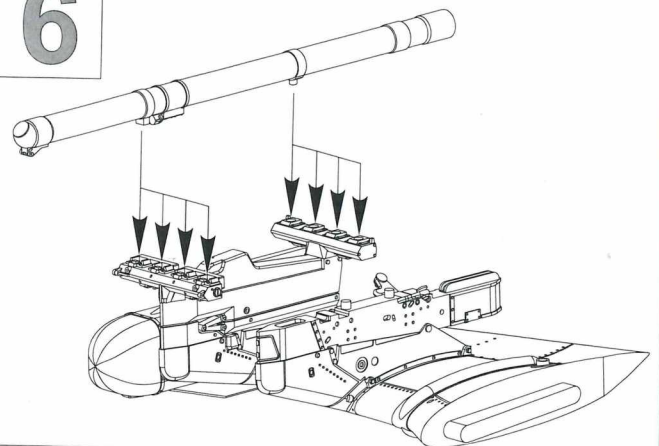
4



5



6



7

