

SA-2 GUIDELINE MISSILE ON LAUNCHER

1:35 Scale

萨姆-2型地对空导弹



cyanoacrylate glue
使用强力胶



weight
配重



make hole
钻孔



cut / remove
切除



option
选择



no cement
不涂胶水



decal
贴纸



bend
弯曲



file / sand
锉平

READ BEFORE ASSEMBLY

- Study and understand this instructions thoroughly before beginning assembly.
- Remove all injection pins carefully using a modeling file.
- Cut off the photo-etched parts carefully using a modeling knife. Be sure not to lose small parts.
- Apply instant cement to photo etched parts and shafts. Apply too much instant cement will cause movable parts to stick. Apply cement carefully.
- Extra care should be taken to avoid personal injury when handling the photo etched parts.
- Some parts should depend on decals. Select piror to assembly.
- Tools recommended: (Not included in this kit)
- Cement; Side cutters; Long nose pliers; Modeling knife; Modeling life; Tweezers; Pin vise; Scissors; Instant cement.
- Soft cloth and sand paper will also assist in construction.
- Glue and paints are not in cluded in the kit. Use plastic cement or paints only.
- Keep out of reach of small children. Children must not be allowed to suck any part, or pull vinyl bay over the head.

装配之前仔细阅读

- 小心用模型锉刀锉平所有零件表面的注射浇口。
- 小心用刀片切下蚀刻片零件，不要遗失小零件。
- 用强力快干胶水粘合蚀刻片零件和金属轴。过量的快干胶水使用可能导致可动零件会粘住，小心涂胶。
- 取蚀刻片时应特别注意安全，防止利边划伤手指。
- 某些零件表面需贴水上贴纸，请选择在装配的同时进行。
- 推荐模型工具(自备)：胶水，水口剪刀，长咀钳，刀片，锉刀，镊子钳，钻，剪刀，瞬间快干胶。
- 软布同砂纸同时也应该是必备工具。
- 请使用塑料胶水和油漆，模型内不含。
- 谨防小孩吸吮塑料零件，或者将塑料袋套在头上，制作时应将套材远离小孩接触。

水贴纸的使用:

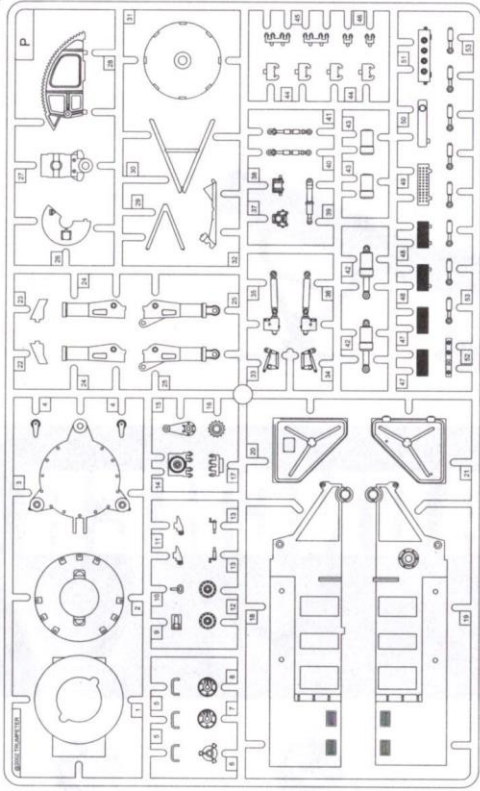
1. 从水贴纸上剪下印花;
2. 将印花放入温水中浸10秒，然后放在干净布上。
3. 拿着印花纸板将印花移到模型上;
4. 手指蘸水将印花移到适当的位置;
5. 用软布轻压印花直至水干，气泡消失。

DECAL APPLICATION

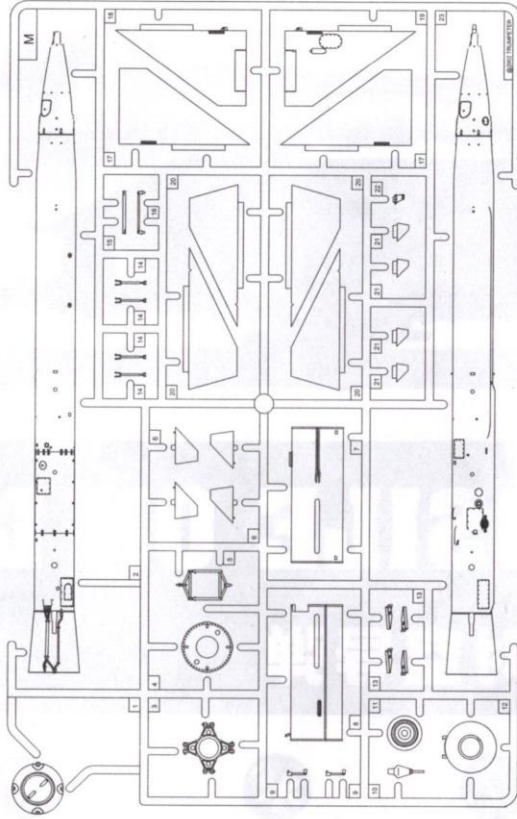
1. Cut off decal from sheet.
2. Dip the decal in tepid water 40° C for about 10 sec. and place on a clean cloth.
3. Hold the backing sheet edge and slide decal onto the model.
4. Move decal into position by wetting decal with finger.
5. Press decal gently down with a soft cloth until excess water and air bubbles are gone.

部品图 Parts

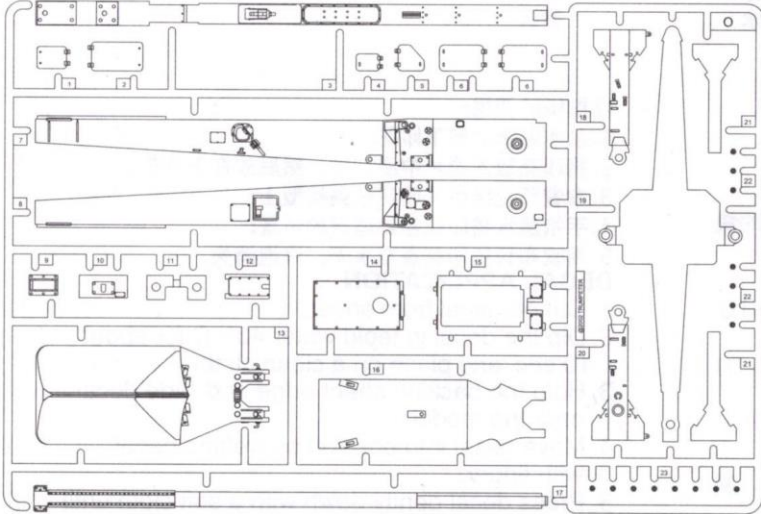
P



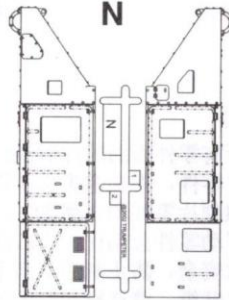
M



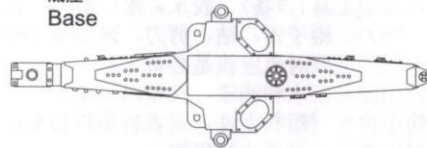
O



N



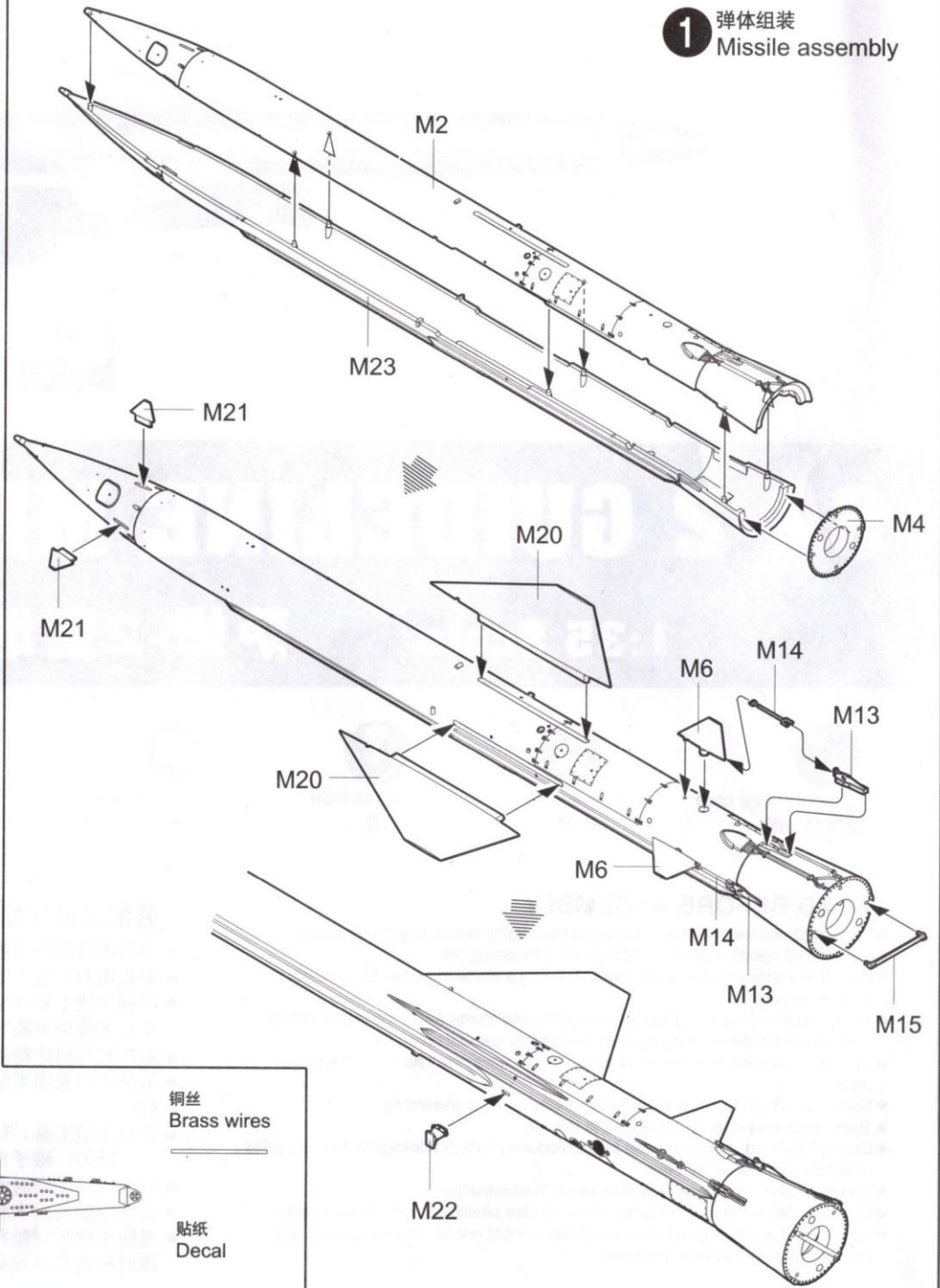
底座
Base



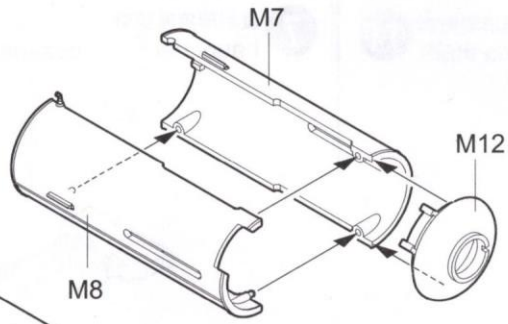
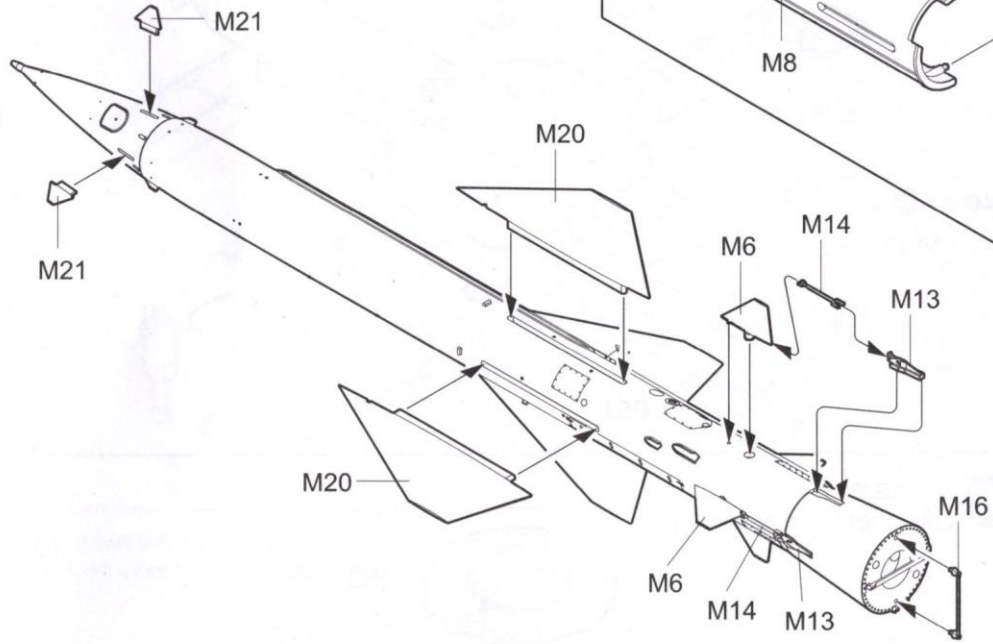
铜丝
Brass wires

贴纸
Decal

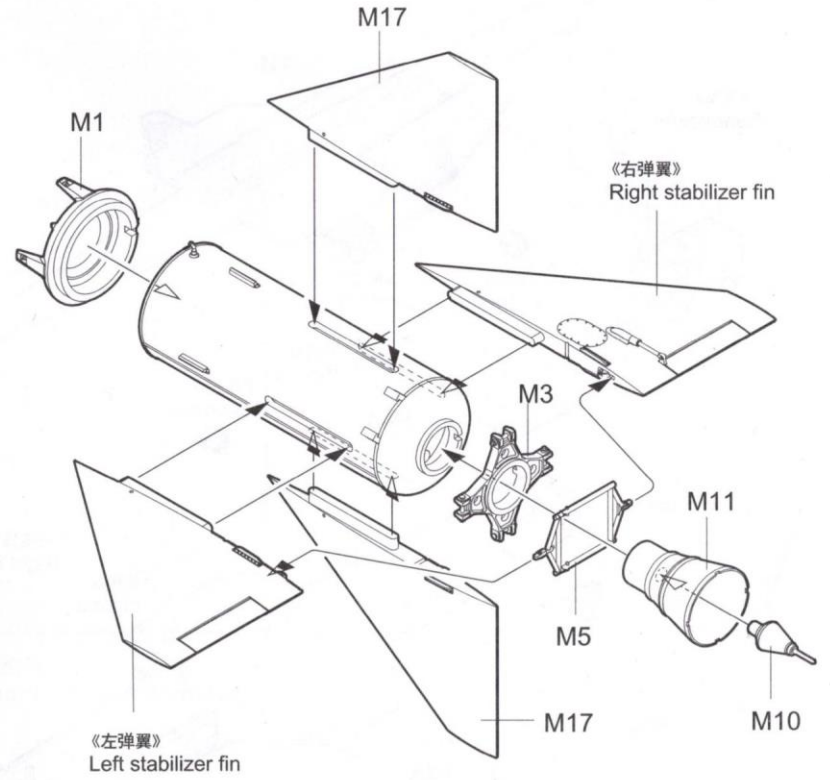
1 弹体组装
Missile assembly



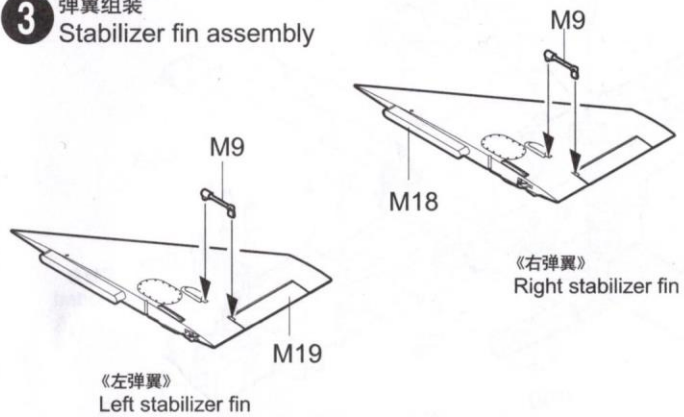
2 弹体组装
Missile assembly



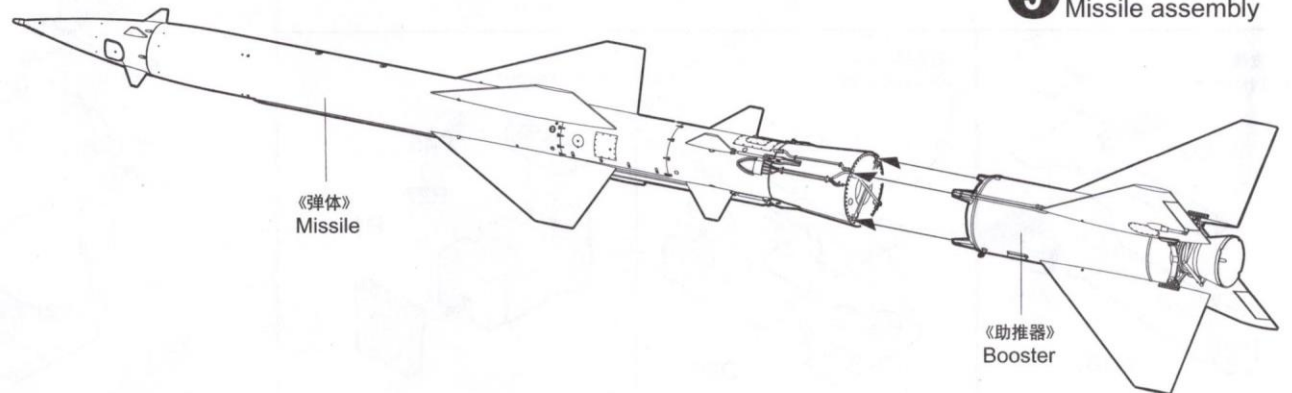
4 助推器组装
Booster assembly



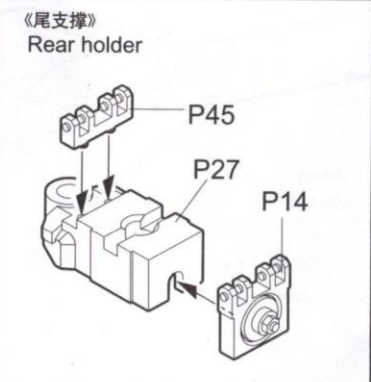
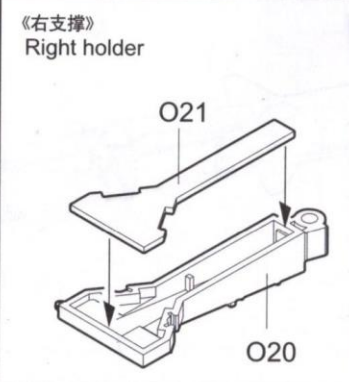
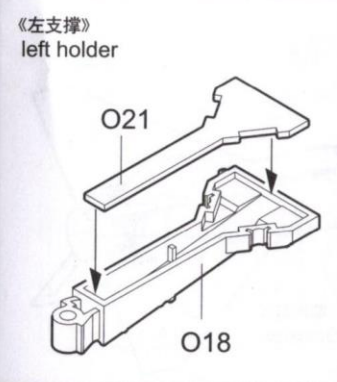
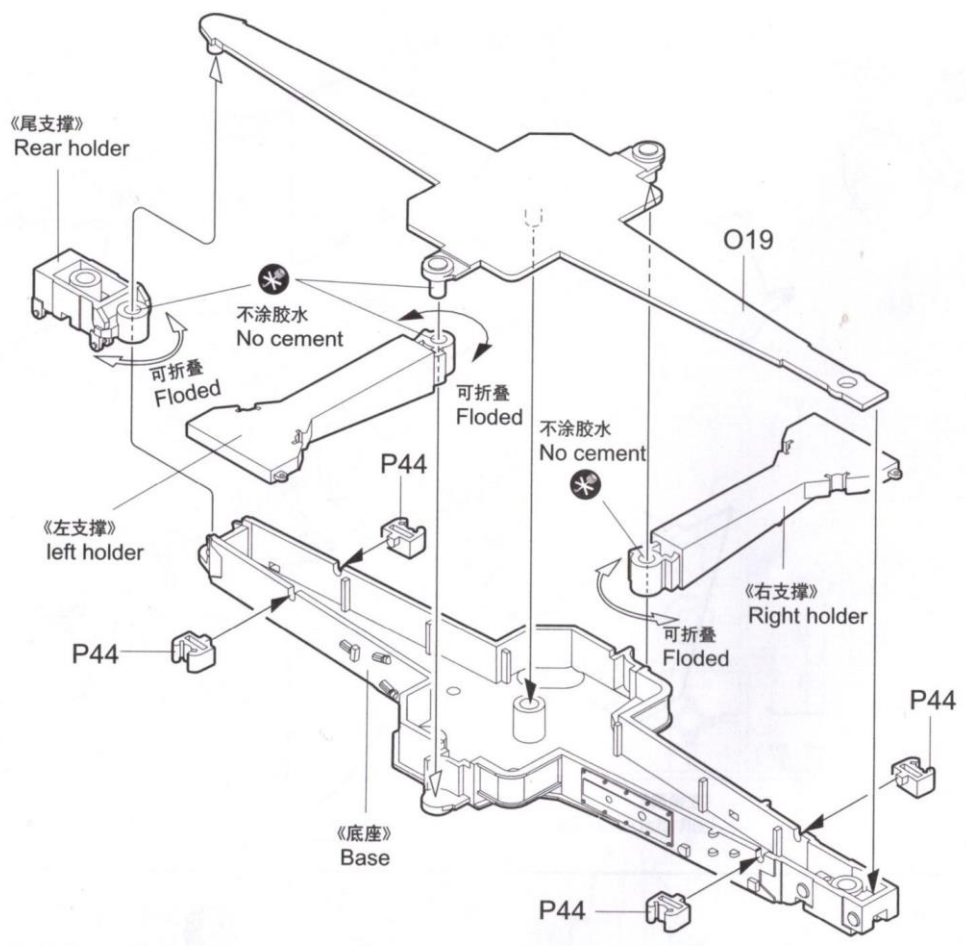
3 弹翼组装
Stabilizer fin assembly



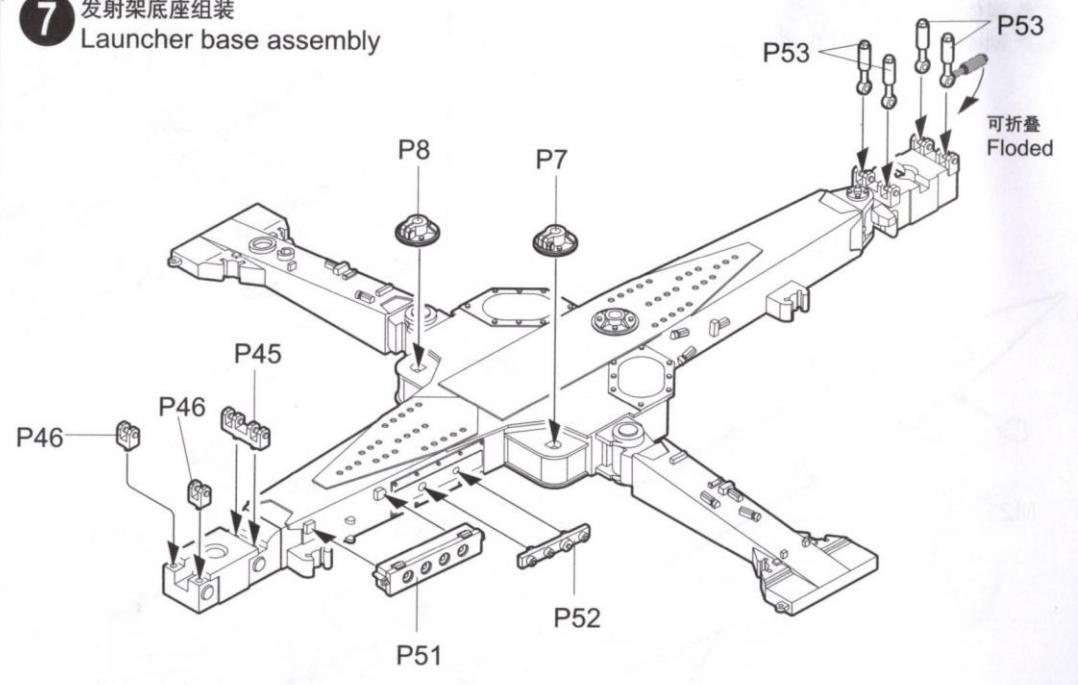
5 导弹组装
Missile assembly



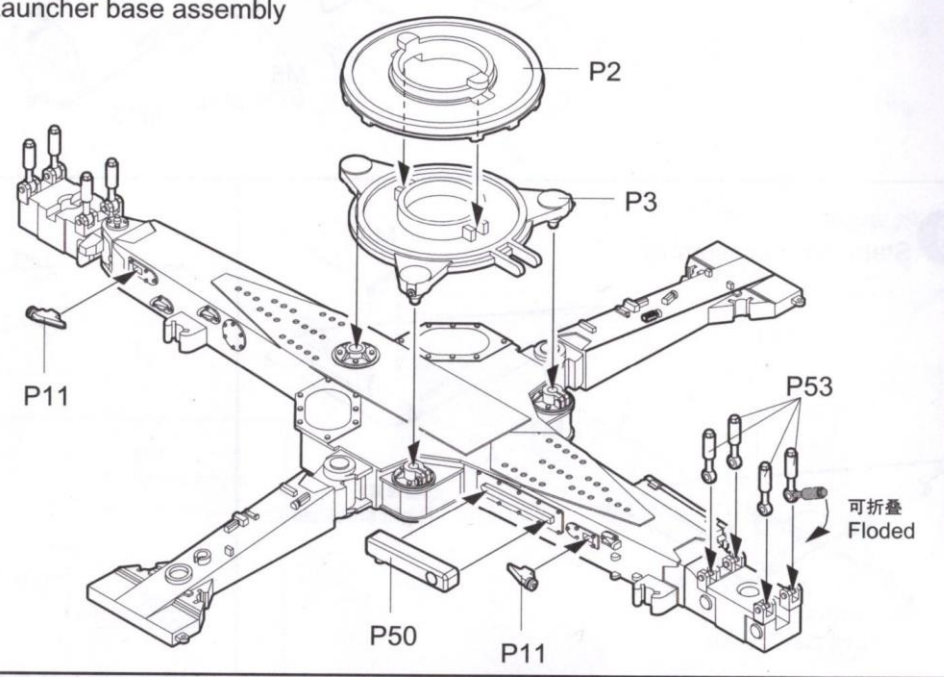
6 发射架底座组装
Launcher base assembly



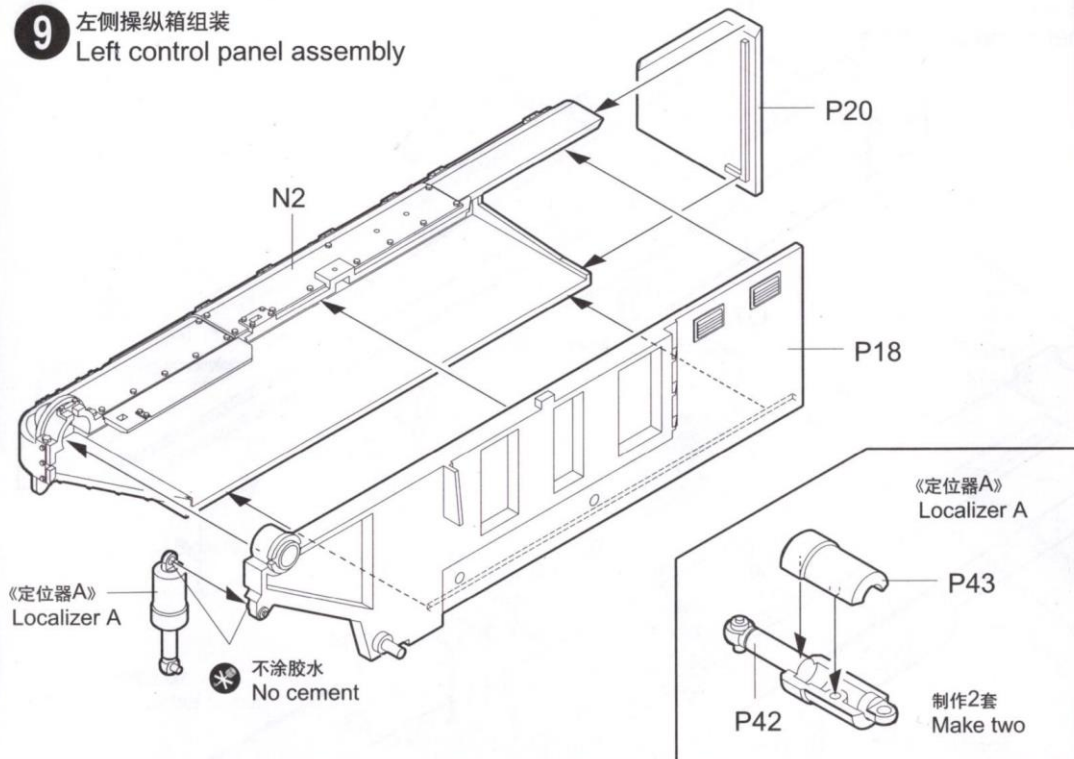
7 发射架底座组装
Launcher base assembly



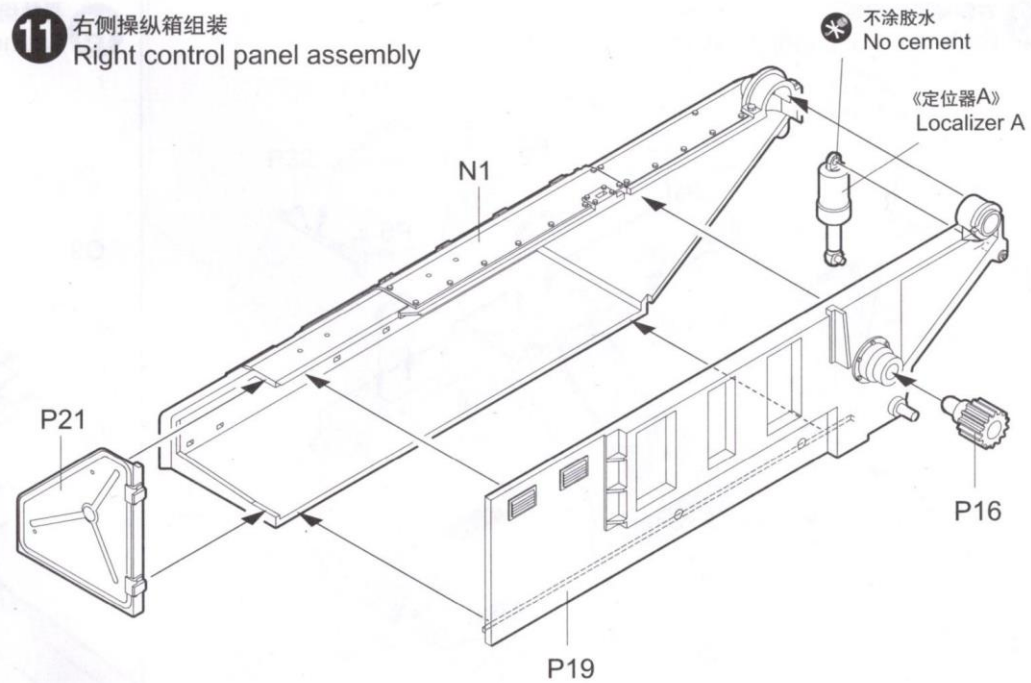
8 发射架底座组装
Launcher base assembly



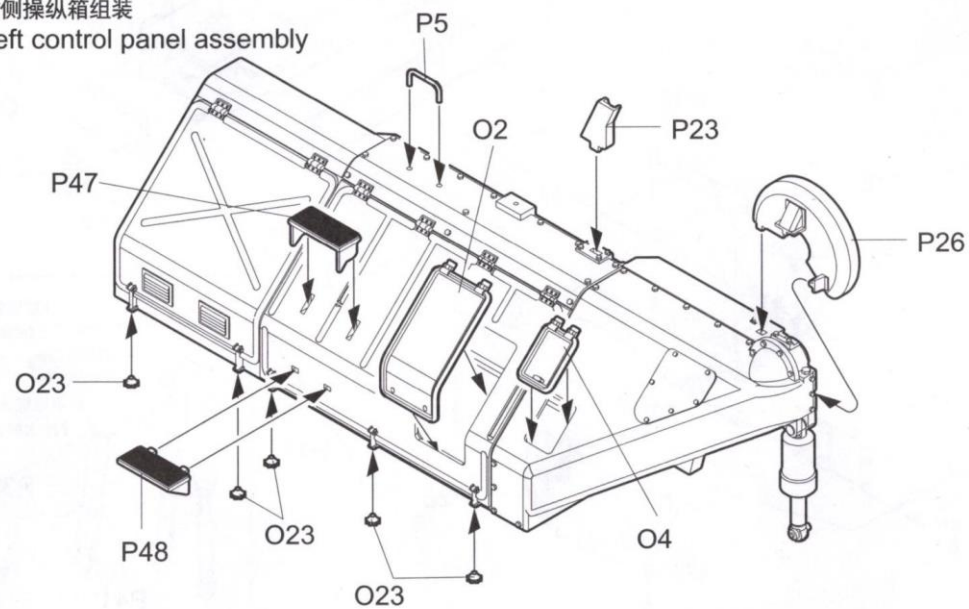
9 左侧操纵箱组装
Left control panel assembly



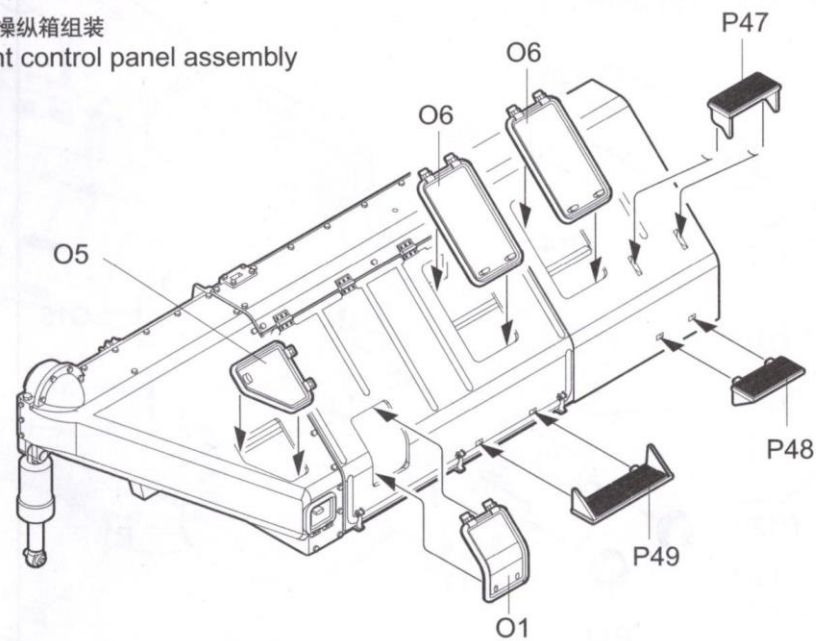
11 右侧操纵箱组装
Right control panel assembly



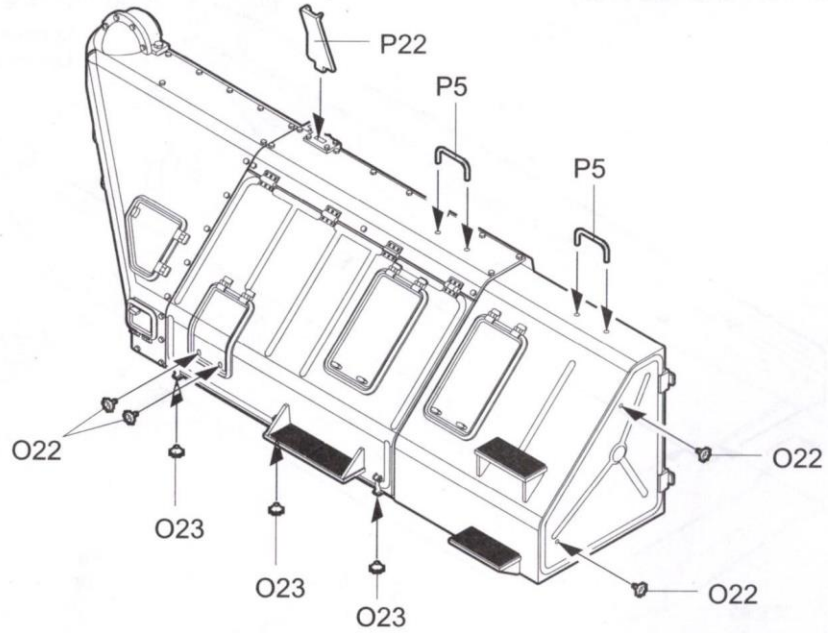
10 左侧操纵箱组装
Left control panel assembly



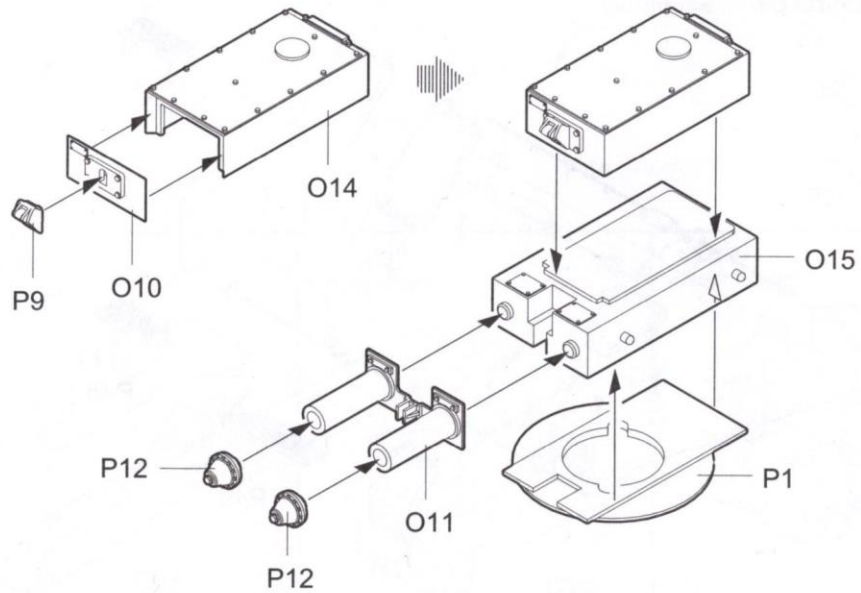
12 右侧操纵箱组装
Right control panel assembly



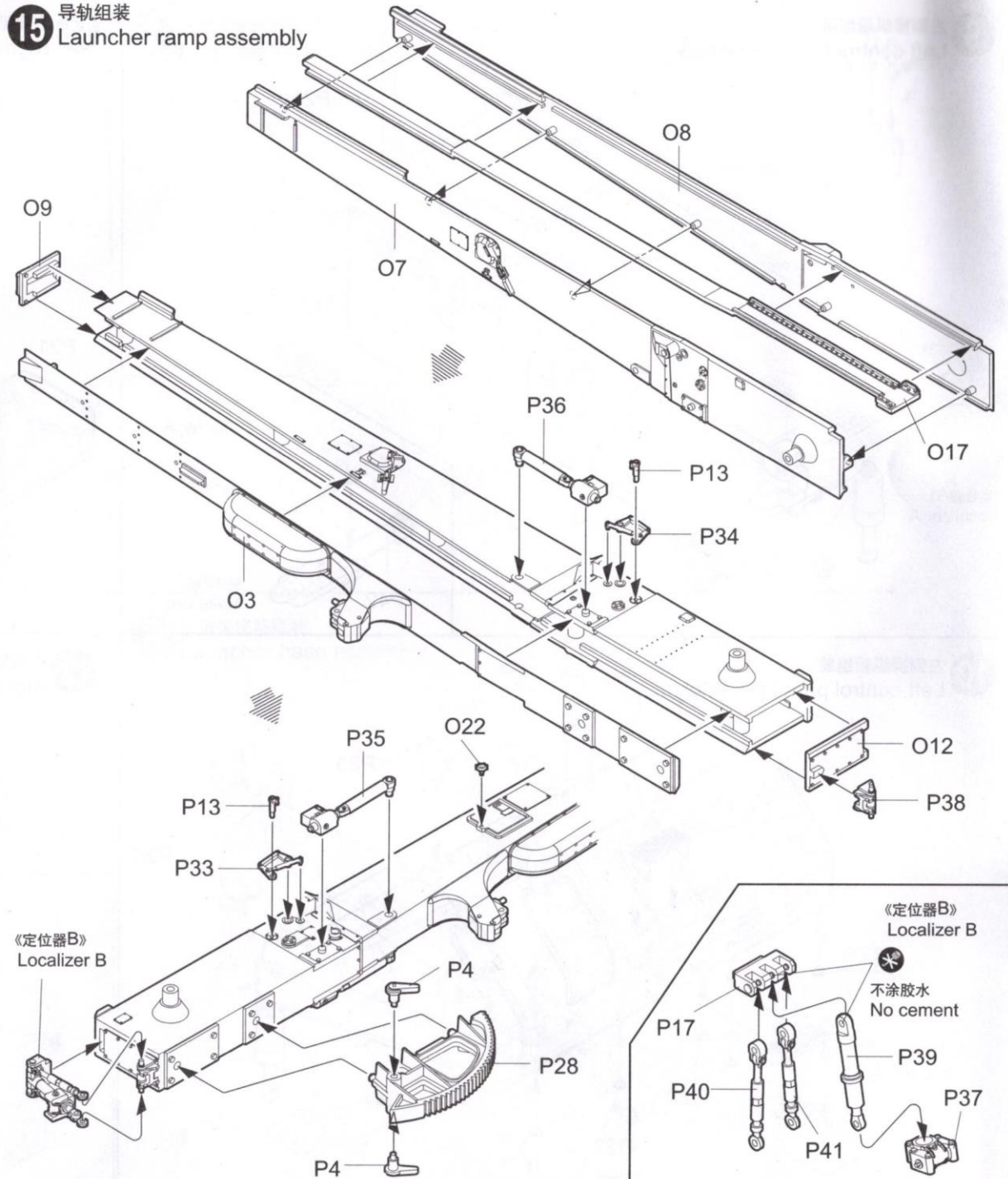
13 右侧操纵箱组装
Right control panel assembly



14 中置箱体组装
Middle control box assembly



15 导轨组装
Launcher ramp assembly

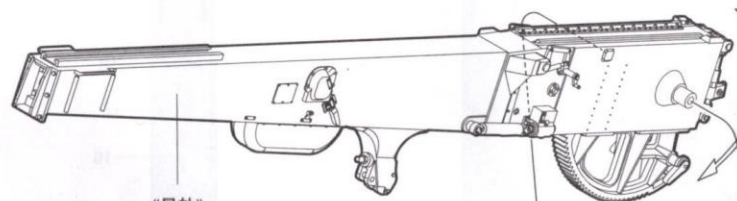


16 发射架组装
Launcher assembly

《按图示大小切下铜丝》
Cut brass wires into size



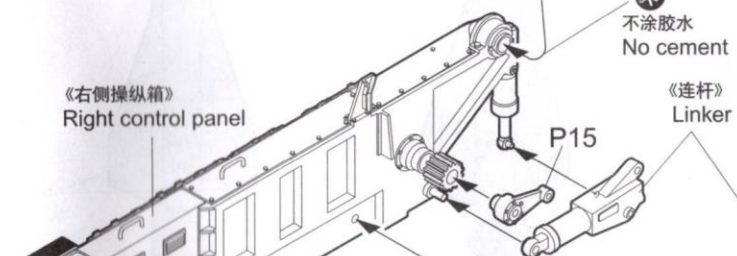
《全尺寸》 制作2套
Full size Make two



《导轨》
Launcher ramp

可仰俯
Elevating

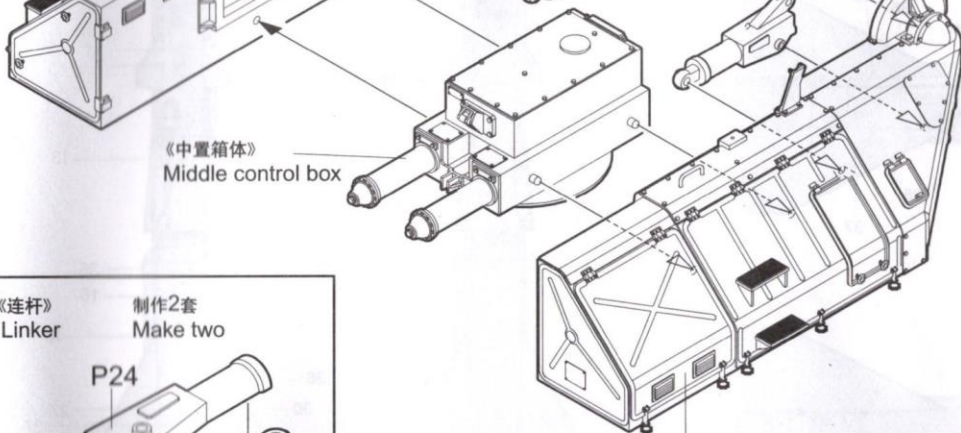
《导弹》
Missile



《右侧操纵箱》
Right control panel

不涂胶水
No cement

《连杆》
Linker

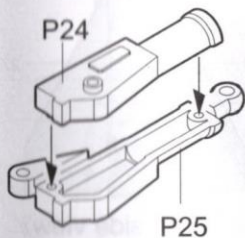


《中置箱体》
Middle control box

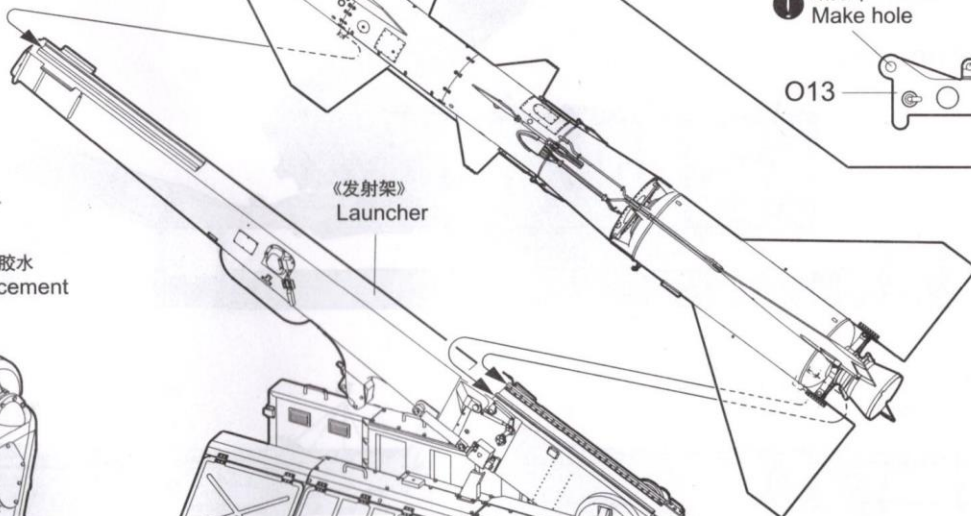
不涂胶水
No cement

《连杆》
Linker

制作2套
Make two

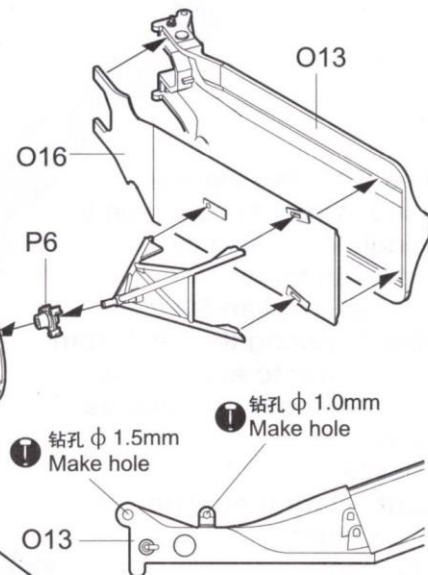
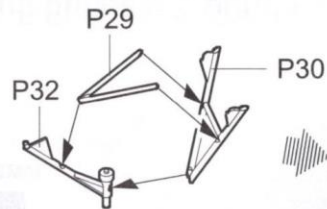


《左侧操纵箱》
Left control panel



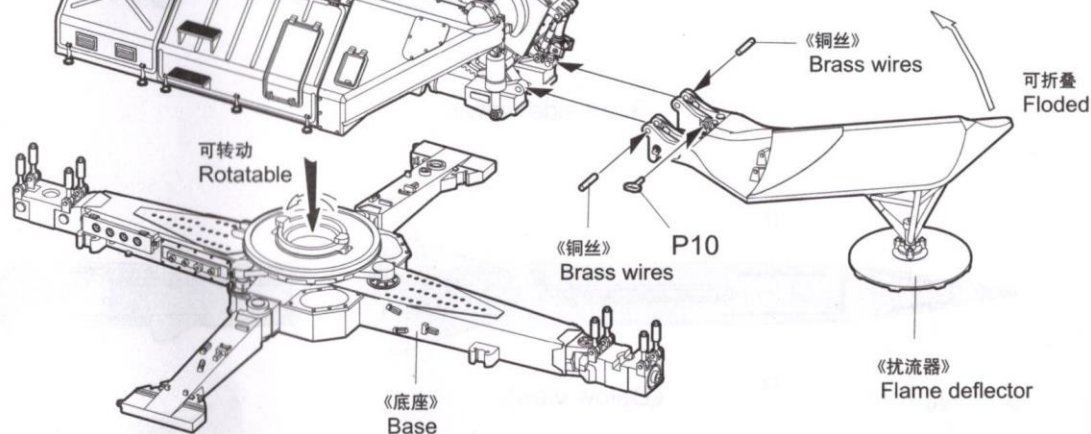
《发射架》
Launcher

《扰流器》
Flame deflector



① 钻孔 ϕ 1.5mm
Make hole

② 钻孔 ϕ 1.0mm
Make hole



可转动
Rotatable

《底座》
Base

《铜丝》
Brass wires

可折叠
Floded

《铜丝》
Brass wires

《扰流器》
Flame deflector

涂装同标贴指示 Painting & Marking guide

使用色: **Testors MM and Gunze Sangyo colors used**

Usual color:
Missile: Light grey
Launcher: Russian green

The SA-2 missile was used in very famous war in middle east Aisa by Egyptian force.

The Egyptian SA-2 missile during the 1973 Yom Kippar war to against the Israeli force, their color as below:

Missile:
Light Nary grey, stian white
Aluminium
launcher:
Desert yellow

苏式绿
Russian green

MM2129

136

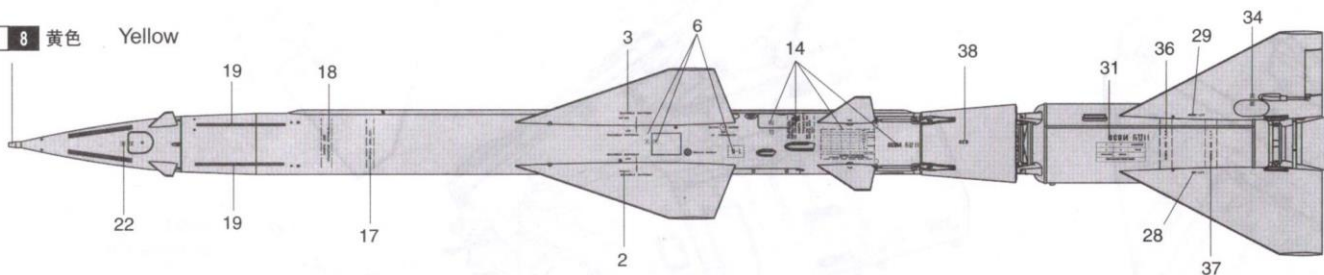
For North Vietnamese SA-2 and soviet version.

MM2120

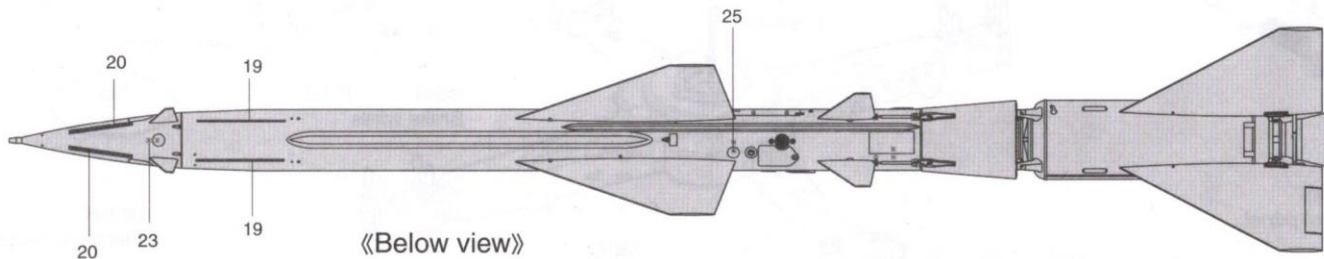
H 61 35

浅灰色
Light gray

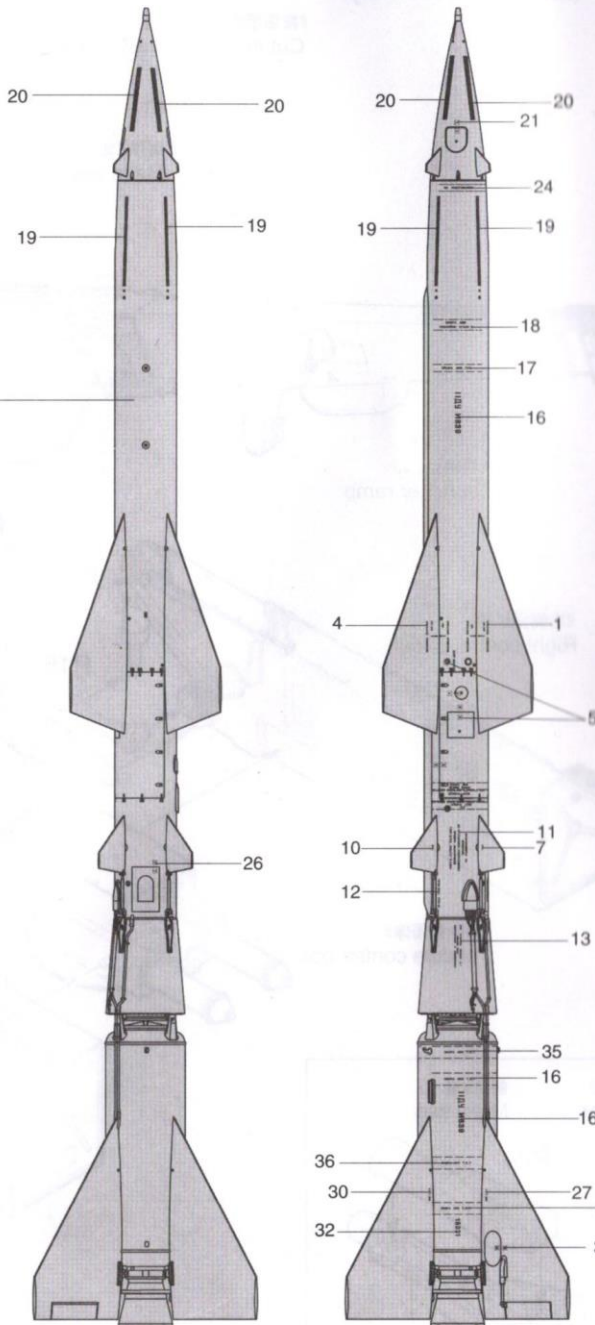
H 8 8 黄色 Yellow



«Right side view»



«Below view»



«Top view»

«Left side view»