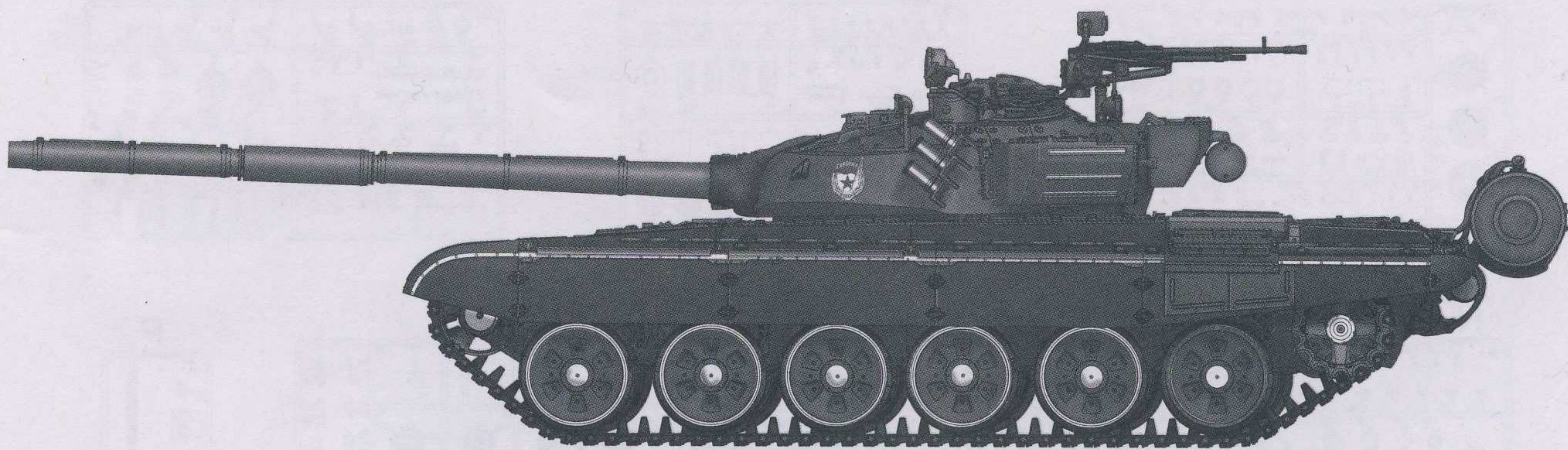


1/35 SCALE

ITEM NO.: 05598



Russian T-72B MBT

俄罗斯T-72B主战坦克

READ BEFORE ASSEMBLY:

- Study and understand these instructions thoroughly before beginning assembly
- When needed, remove photo-etch parts carefully using a modeling knife or photo etch sprue cutter, being careful not to damage or lose small parts.
- Take extra care in handling photo etch parts in order to avoid injury
- Apply instant cement sparingly to photo etch parts where instructed
- Tools recommended(not included in kit):Plastic and instant cements, sprue cutters,long nose pliers,modeling knife, small files, tweezers, pin vise & scissors. Soft cloth and sandpaper will also assist in construction
- Glue and paint are not included in the kit. Use plastic cement and hobby paints only. Color guide for purchasing paint is included in the kit.

装配之前仔细阅读

- 小心用模型锉刀锉平所有零件表面的注射浇口。
- 小心用刀片切下蚀刻片零件，不要遗失小零件。
- 用强力快干胶水粘合蚀刻片零件和金属轴。过量快干胶水使用可能导致可动零件会粘住，小心涂胶。
- 取蚀刻片时应特别注意安全，防止利边划伤手指。
- 某些零件表面需贴上水贴纸，请选择在装配的同时进行。
- 推荐模型工具(自备)：胶水，水口剪刀，长咀钳，刀片，锉刀，镊子，钳，钻，剪刀，瞬间快干胶。
- 软布同砂纸同时也应该是必备工具。
- 请使用塑料胶水和油漆，模型内不含。



配重
Weight



使用强力胶
Cyanoacrylate glue



钻孔
Make hole



切除
Cut / Remove



贴纸
Decal



锉平
File / Sand



选择
Option



不涂胶水
No cement



弯曲
Bend

水贴纸的使用:

- 1.从水贴上剪下印花;
- 2.将印花放入温水中浸10秒, 然后放在干净布上。
- 3.拿着印花纸板将印花移到模型上;
- 4.手指蘸水将印花移到适当的位置;
- 5.用软布轻压印花直至水干, 气泡消失

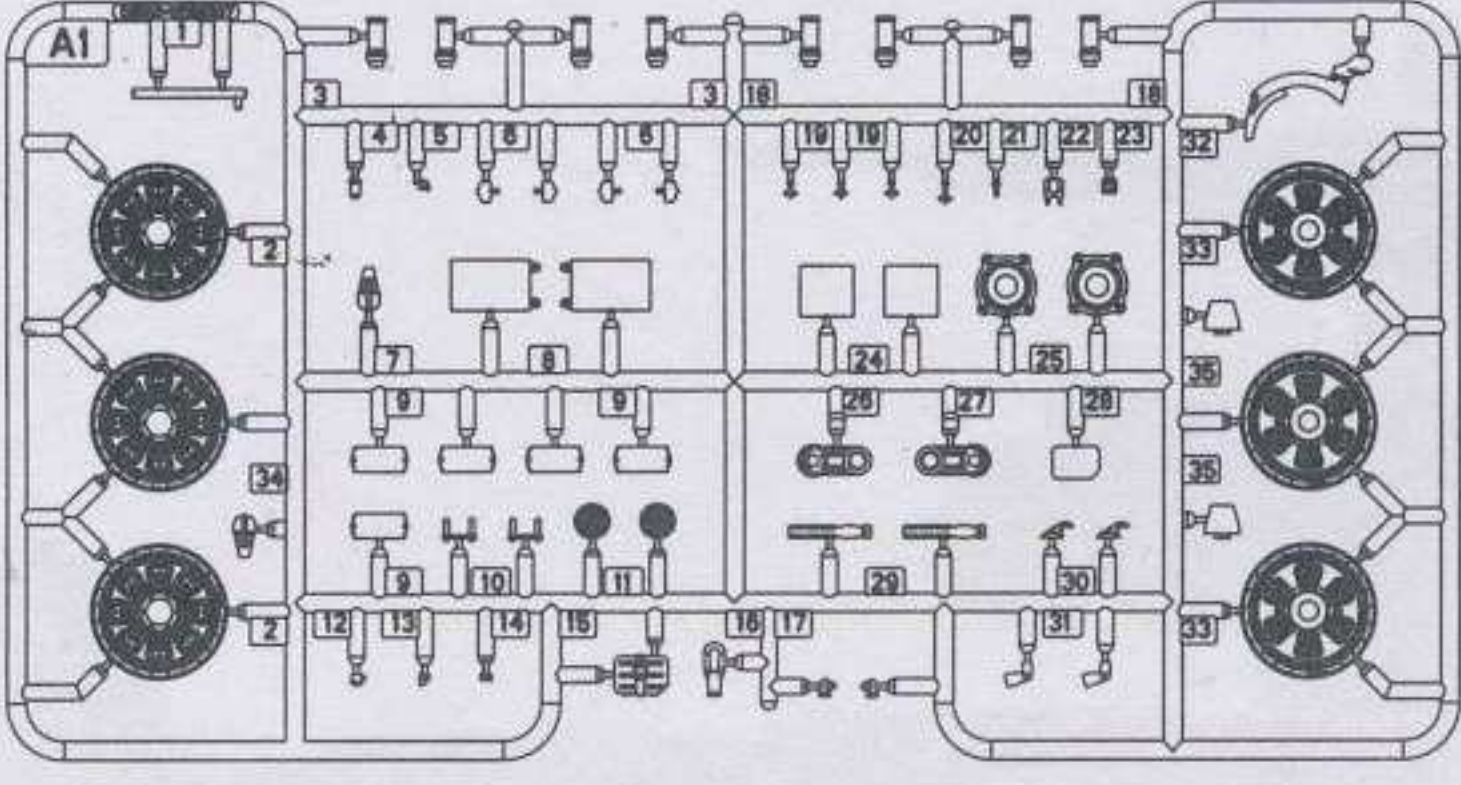
DECAL APPLICATION

- 1.Cut decals from sheet as needed
- 2.Dip the decal in warm water for about 10 seconds and then place on soft clean cloth.
- 3.Hold the decal backing sheet edge and gently slide the decal onto the model in its proper position.

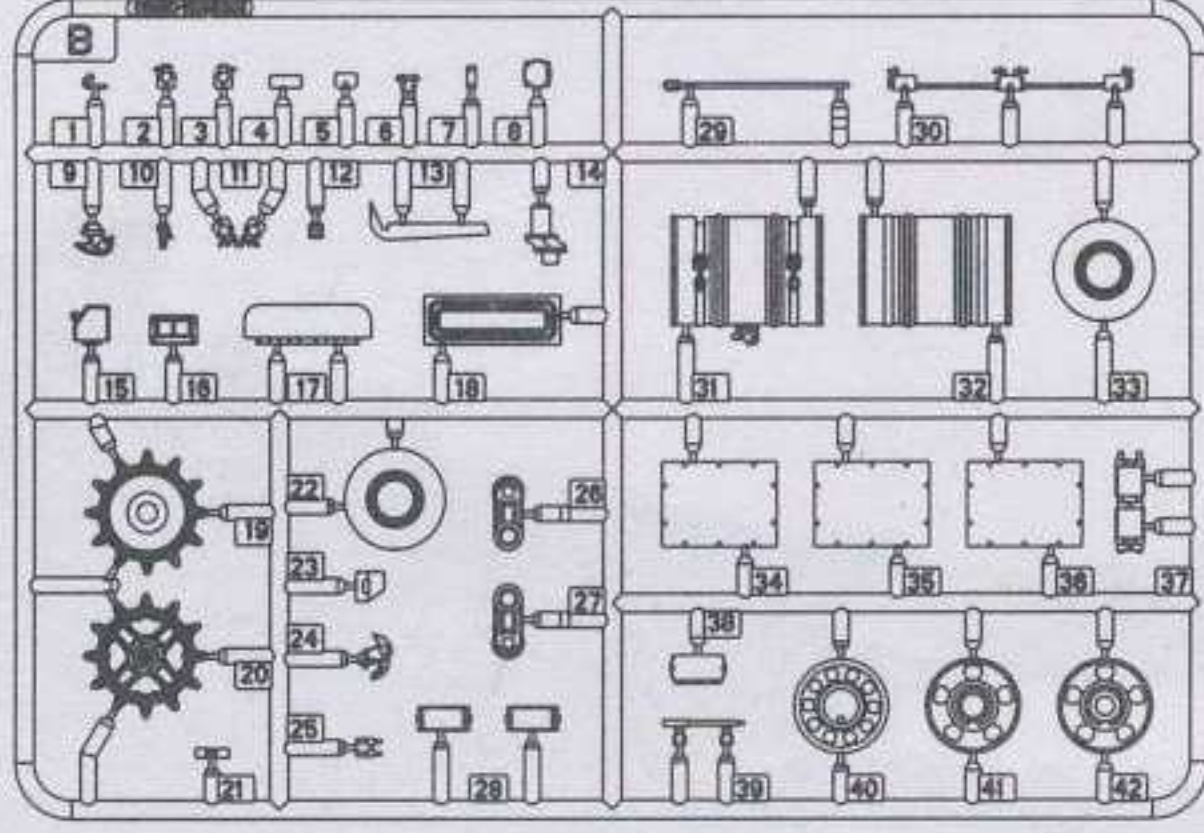
- 4.While still wet,decal can be adjusted for better fit on model by dampening it gently with your finger.
- 5.When placed in the proper position,gently press decal down with a soft cloth until excess water and air bubbles are gone.
- 6.Allow decal to dry completely before handling model

部品图 Parts

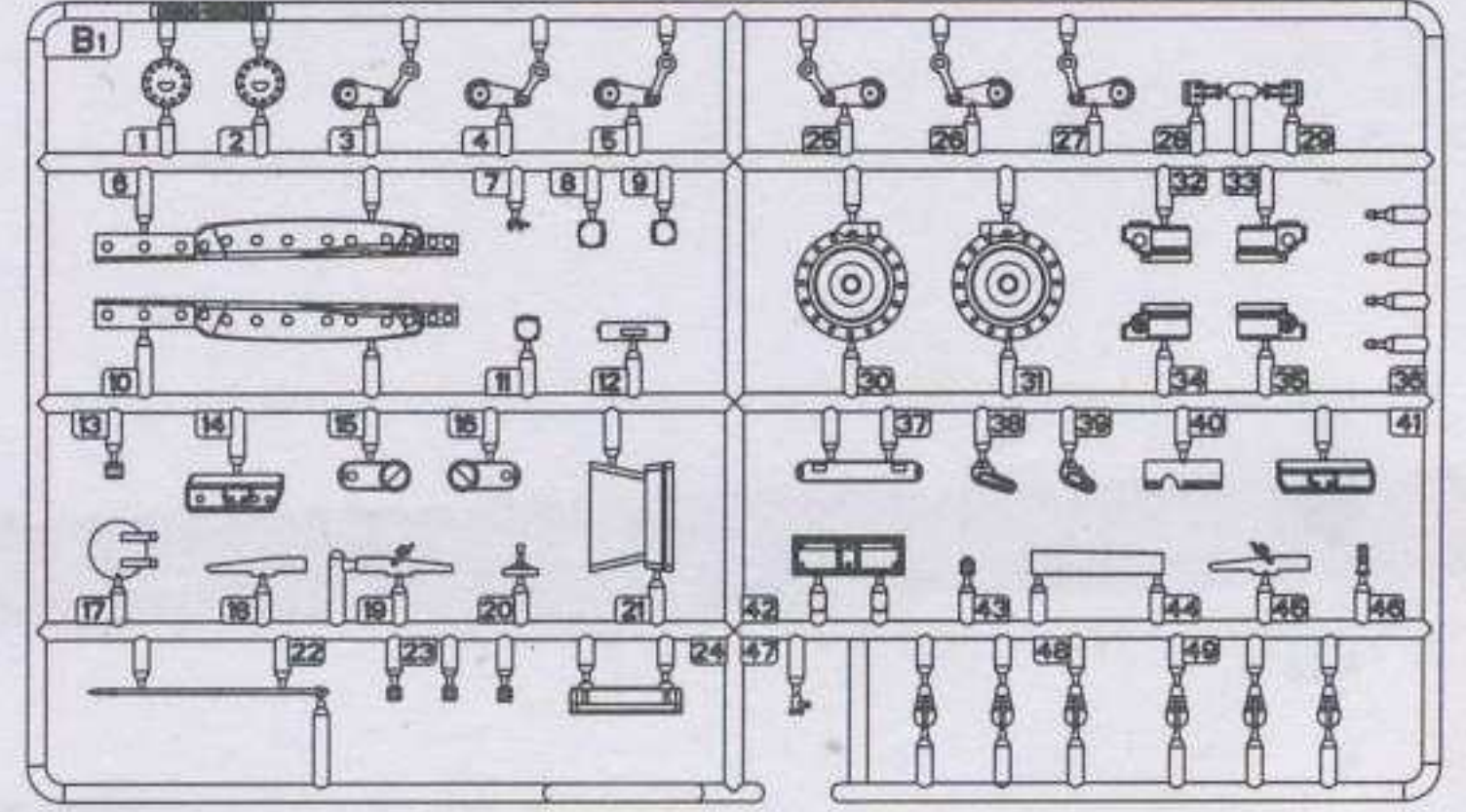
A1X4



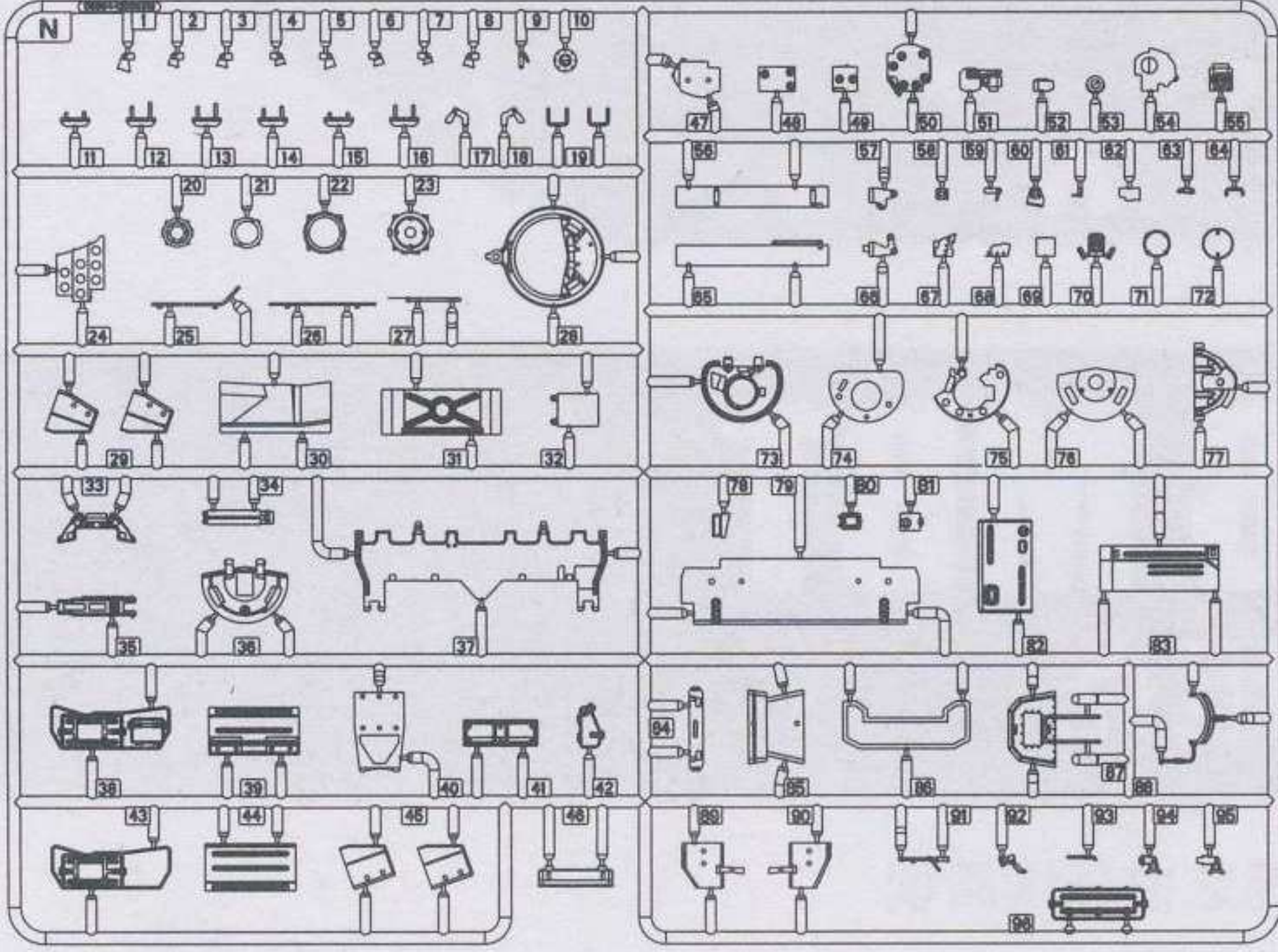
BX2



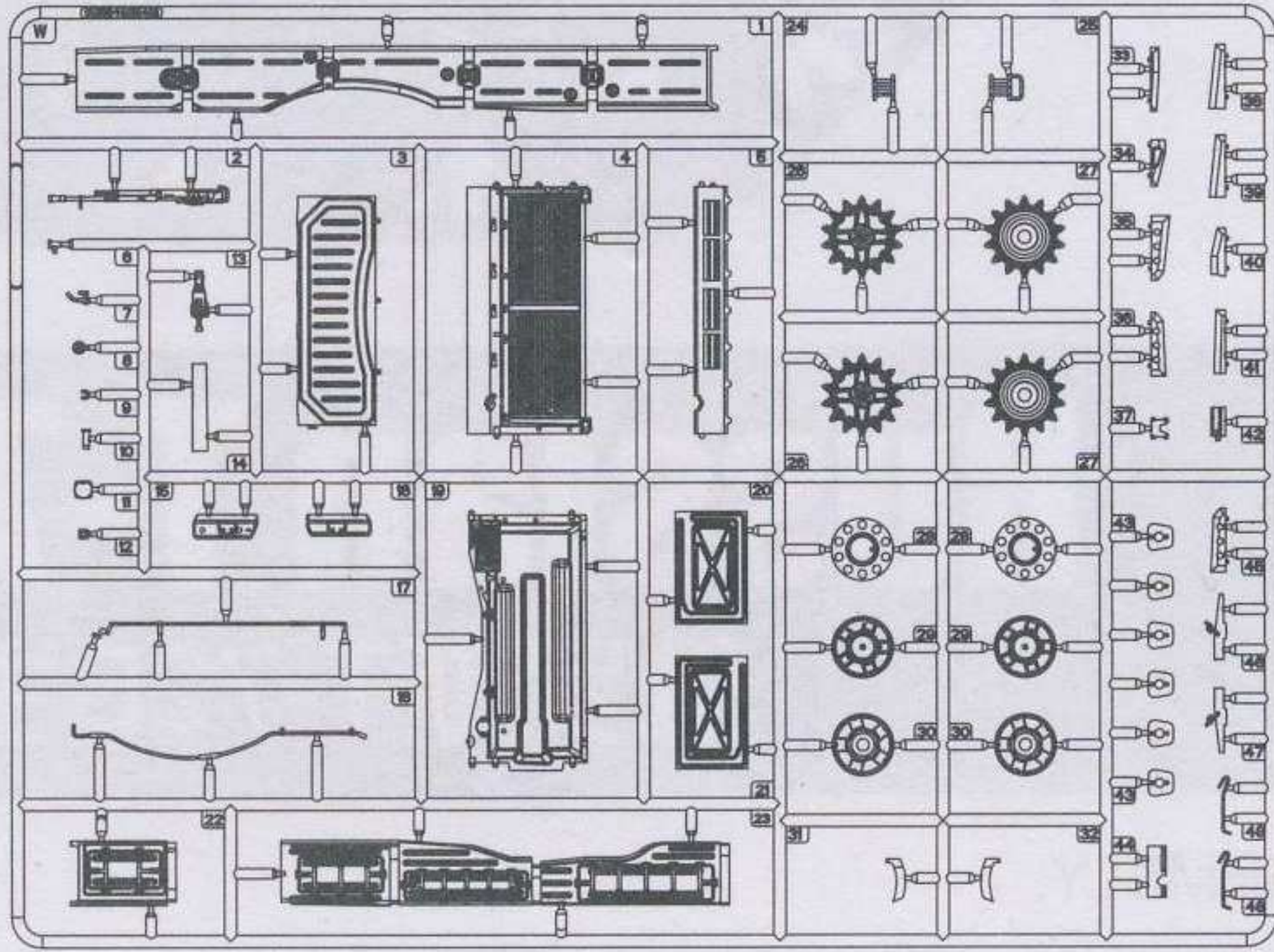
B1



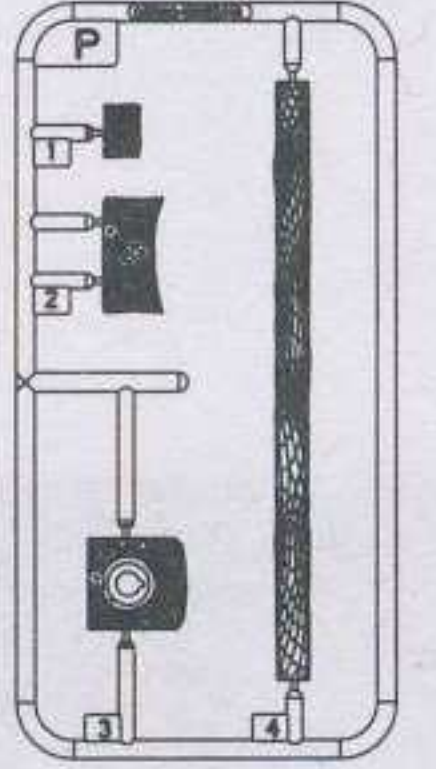
N



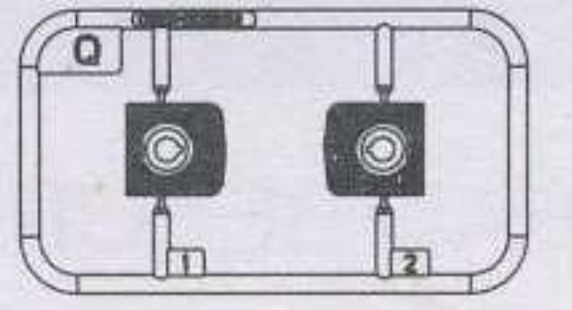
W



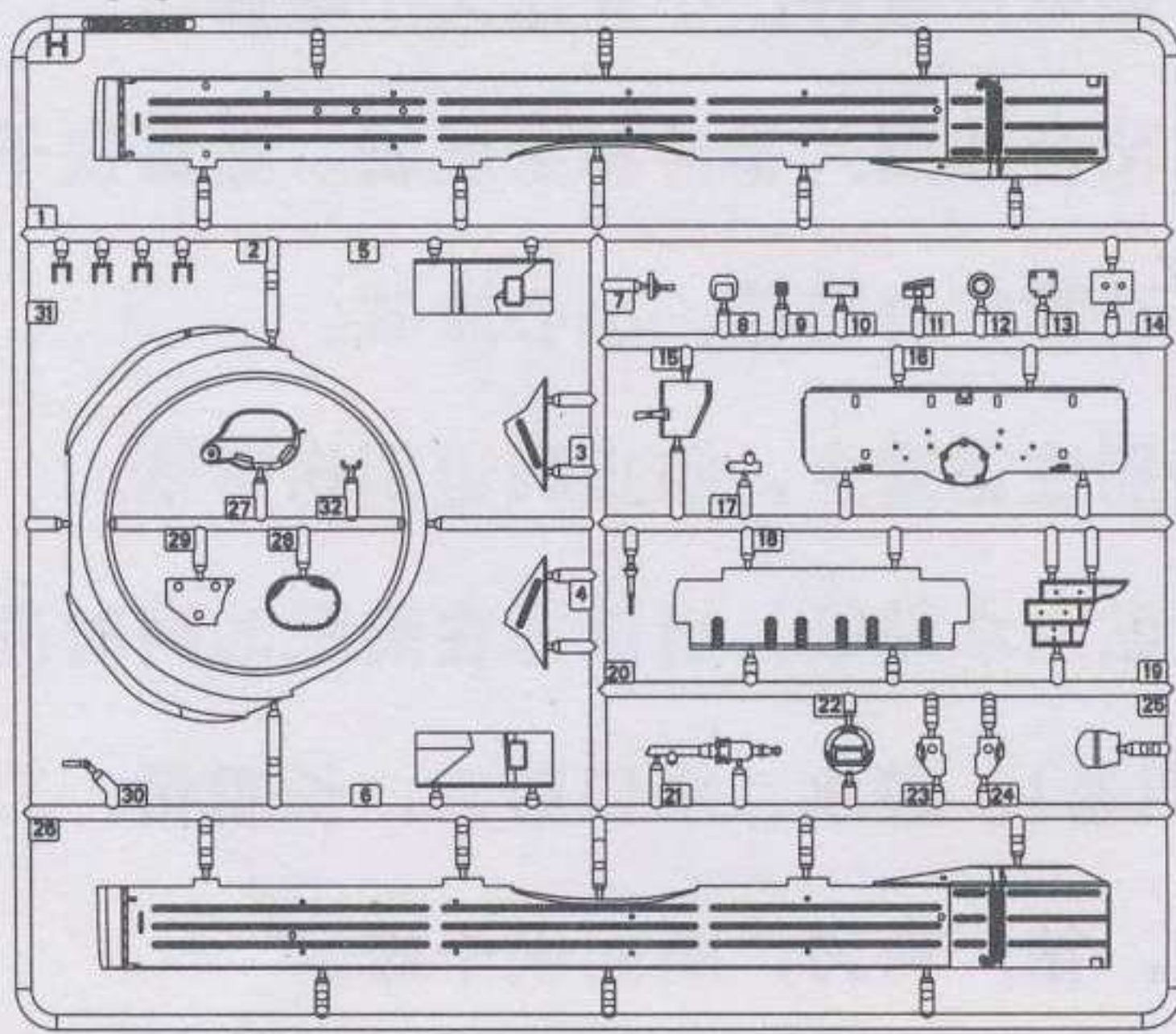
P



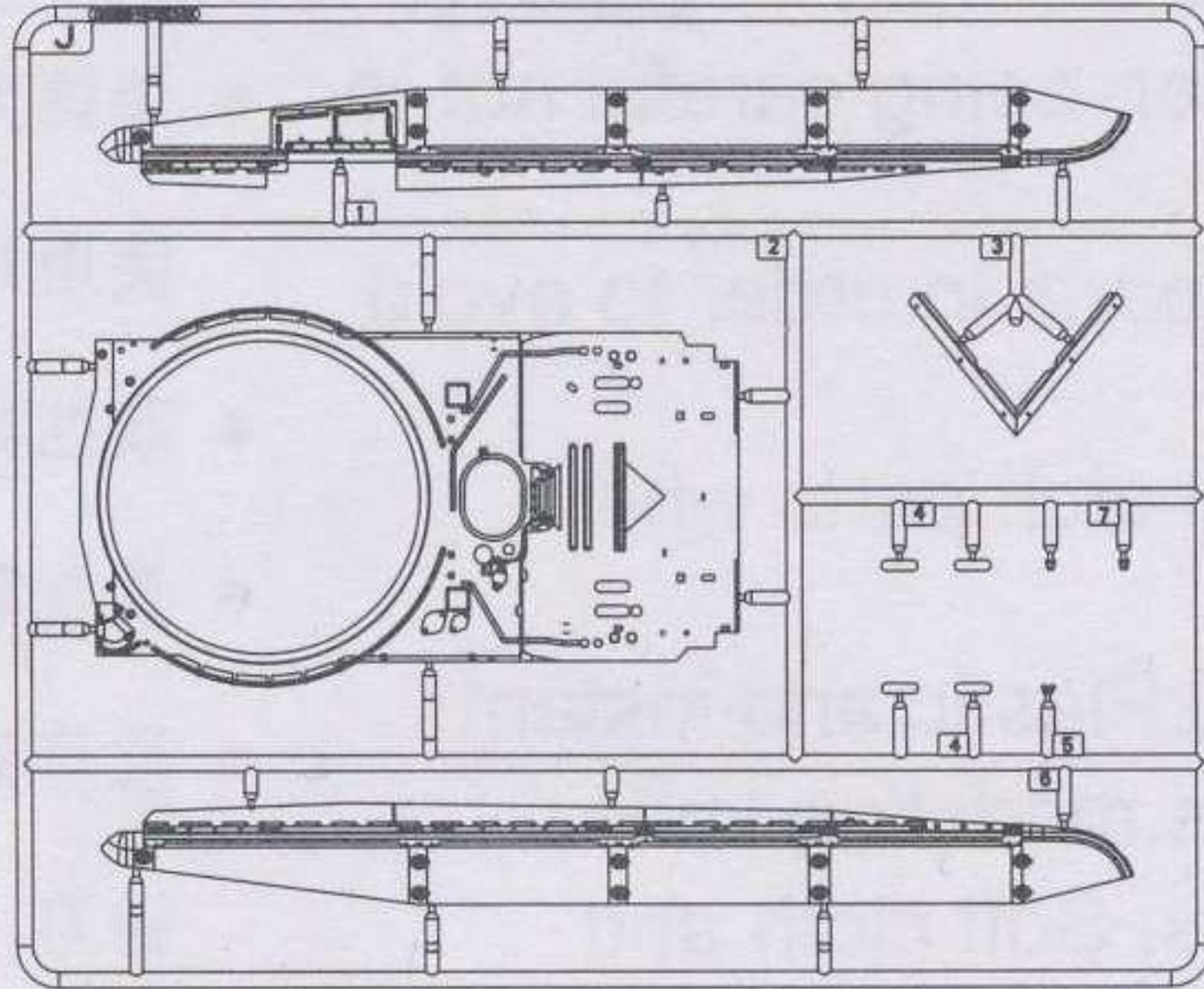
Q



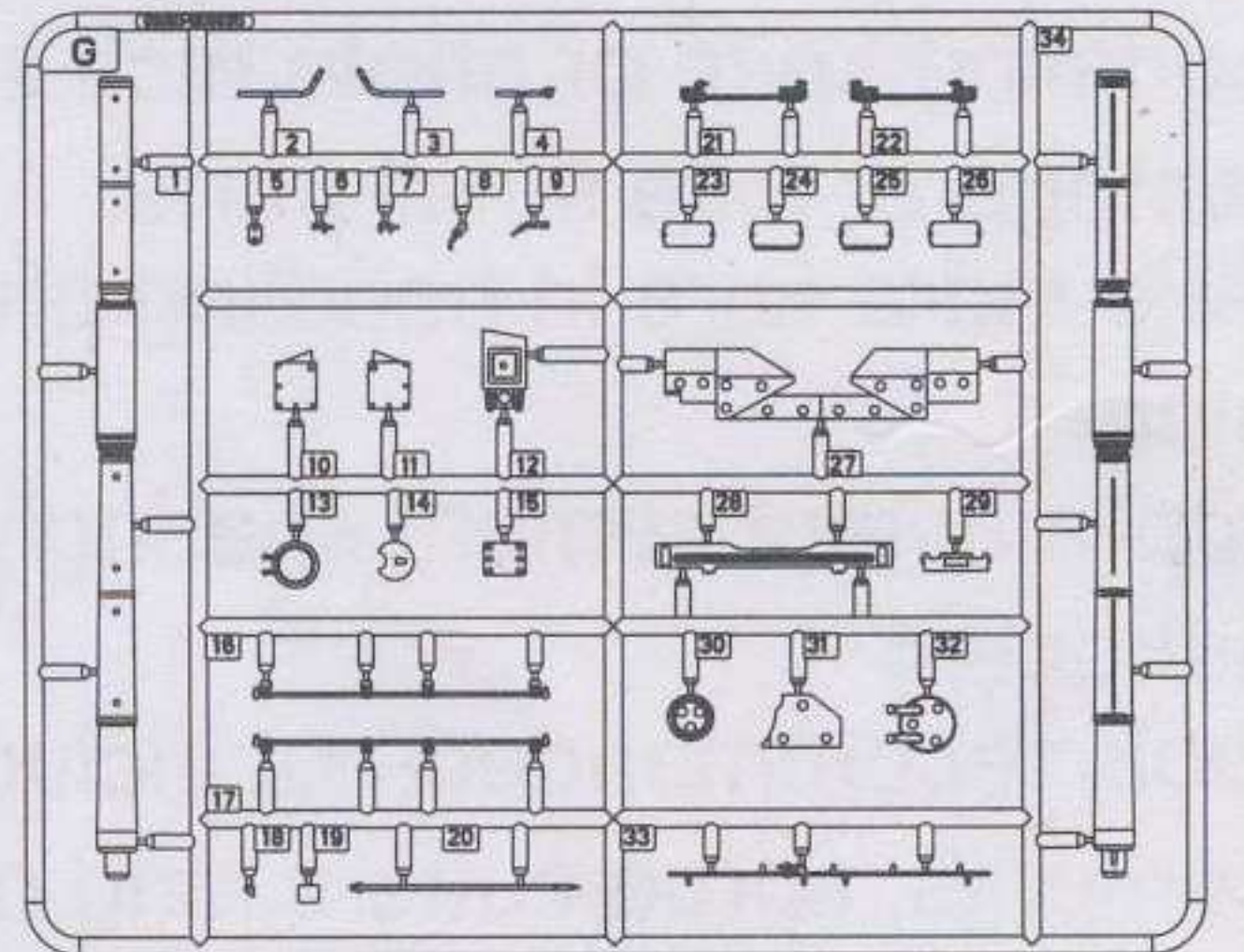
H



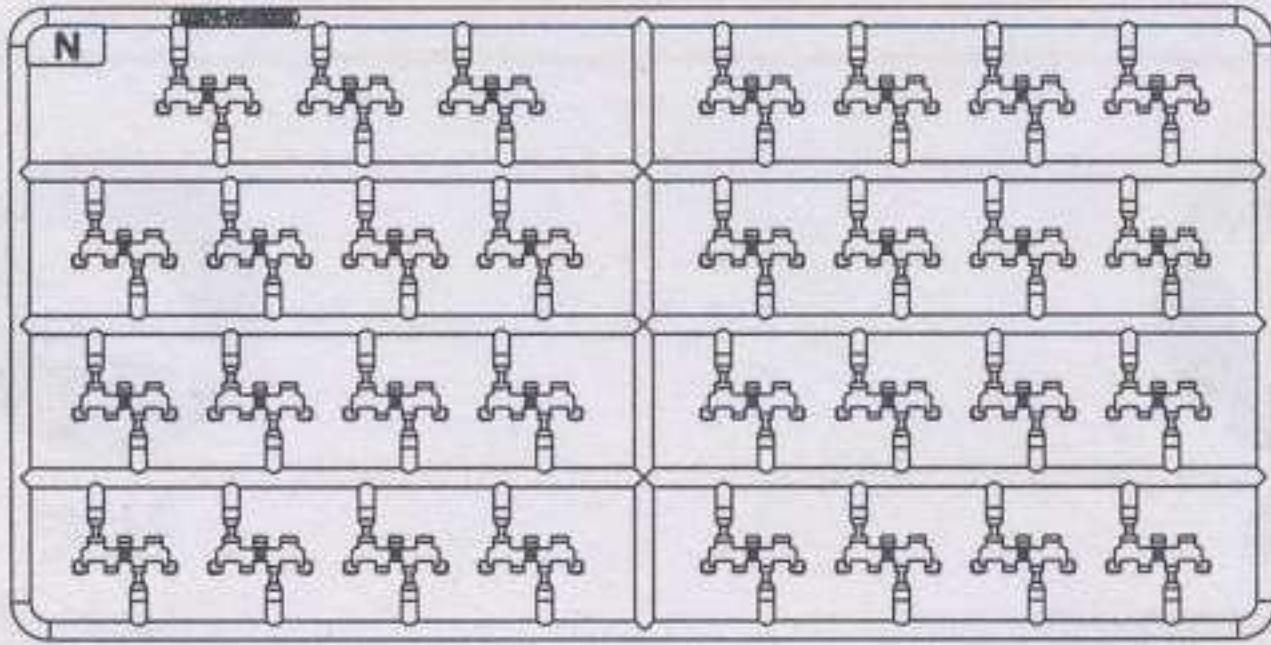
J



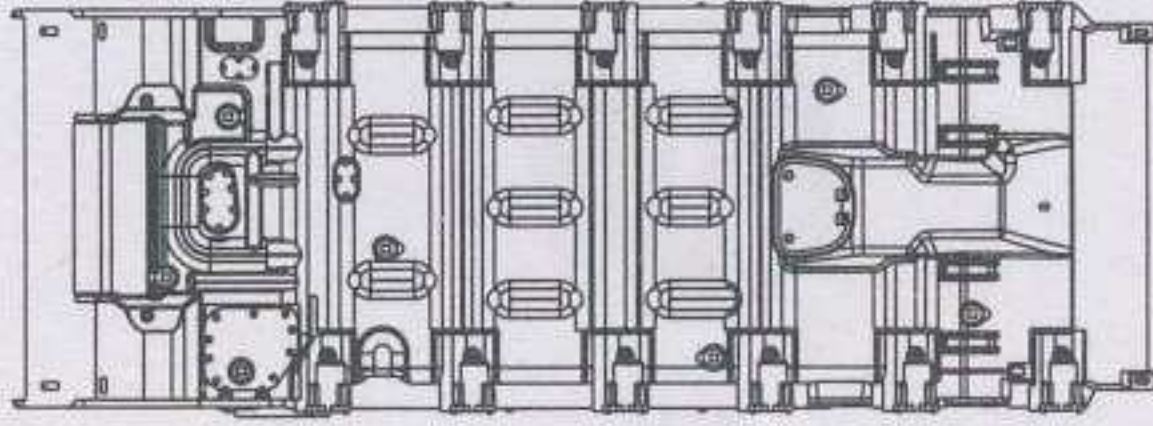
G



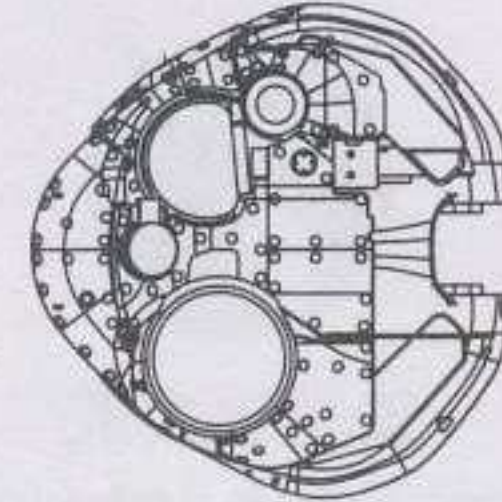
Track
《履带》 N X7



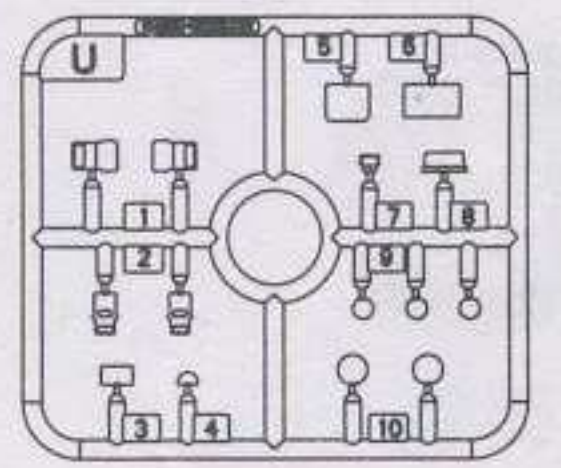
《车底》
Lower hull



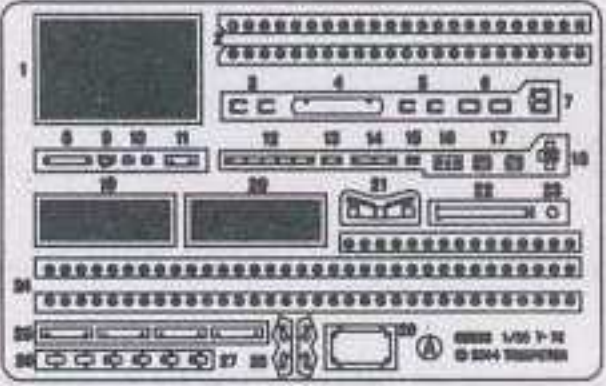
《炮塔》
Turret



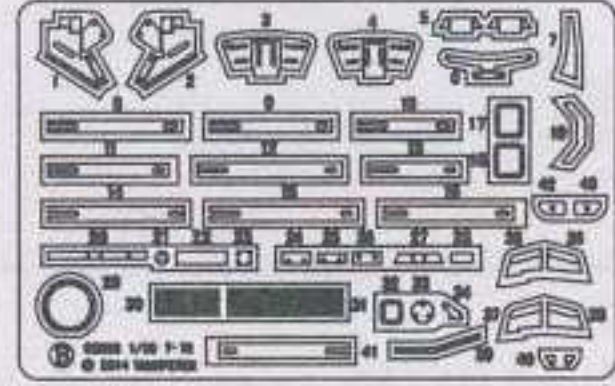
U



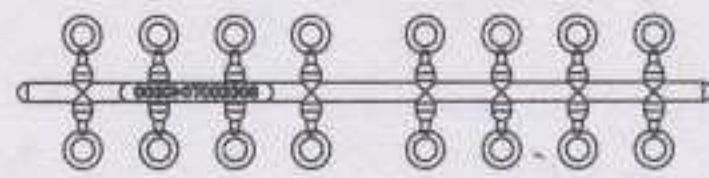
《蚀刻片-A》 X2
PE-A



《蚀刻片-B》
PE-B



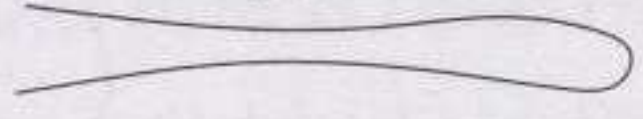
《轮塞》
Poly cap



《水贴》
Decal



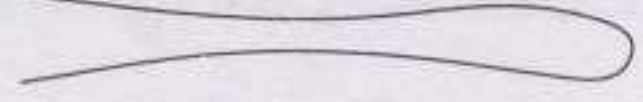
《铜丝》 \varnothing 0.6X250mm
Copper wire

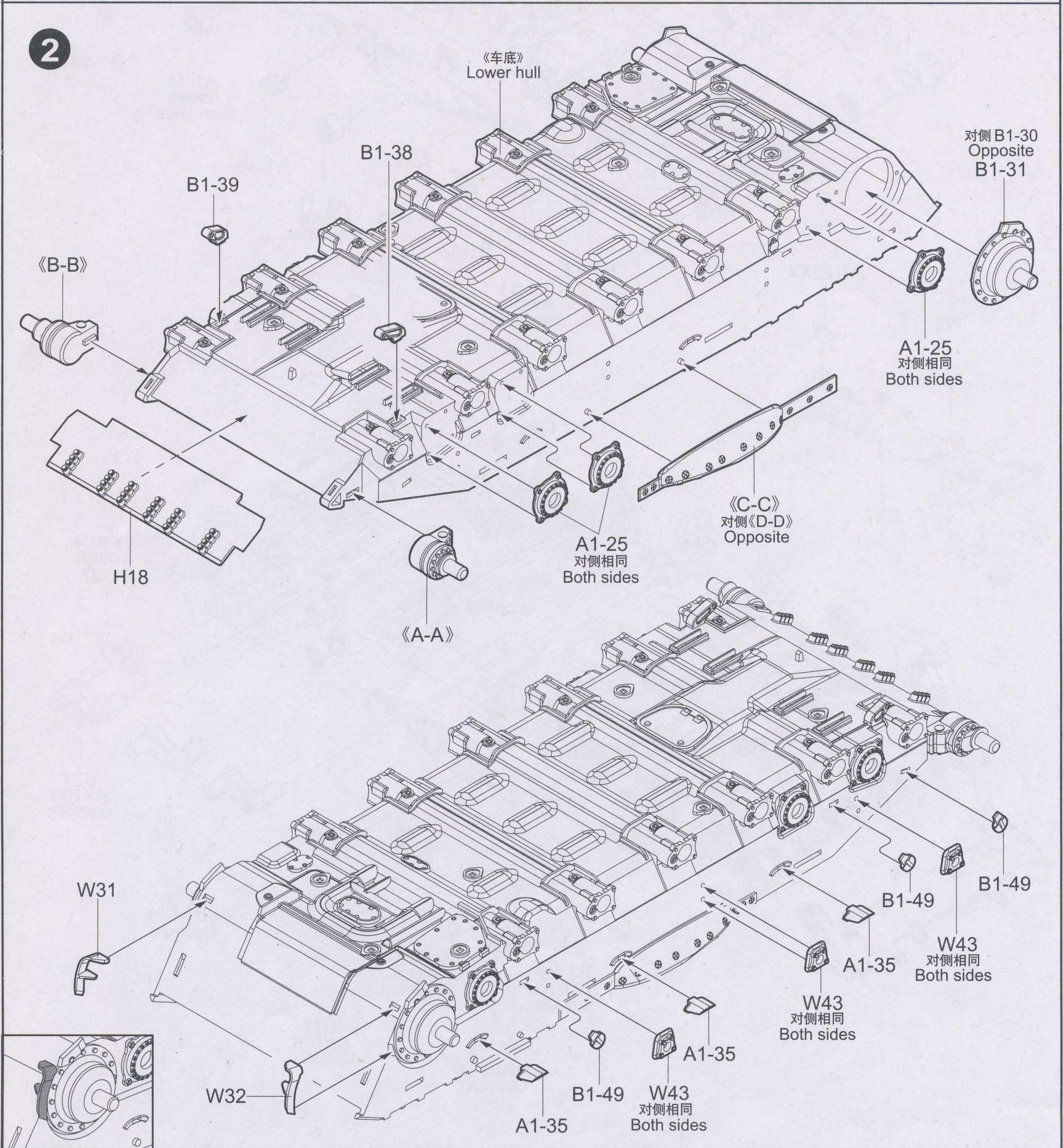
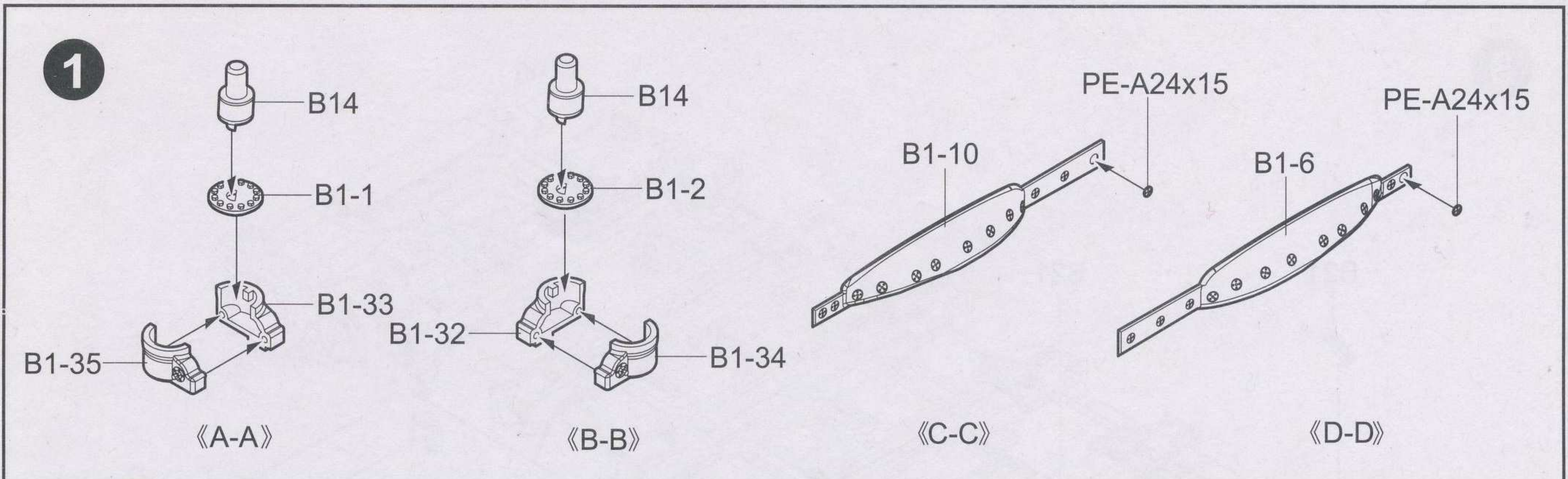


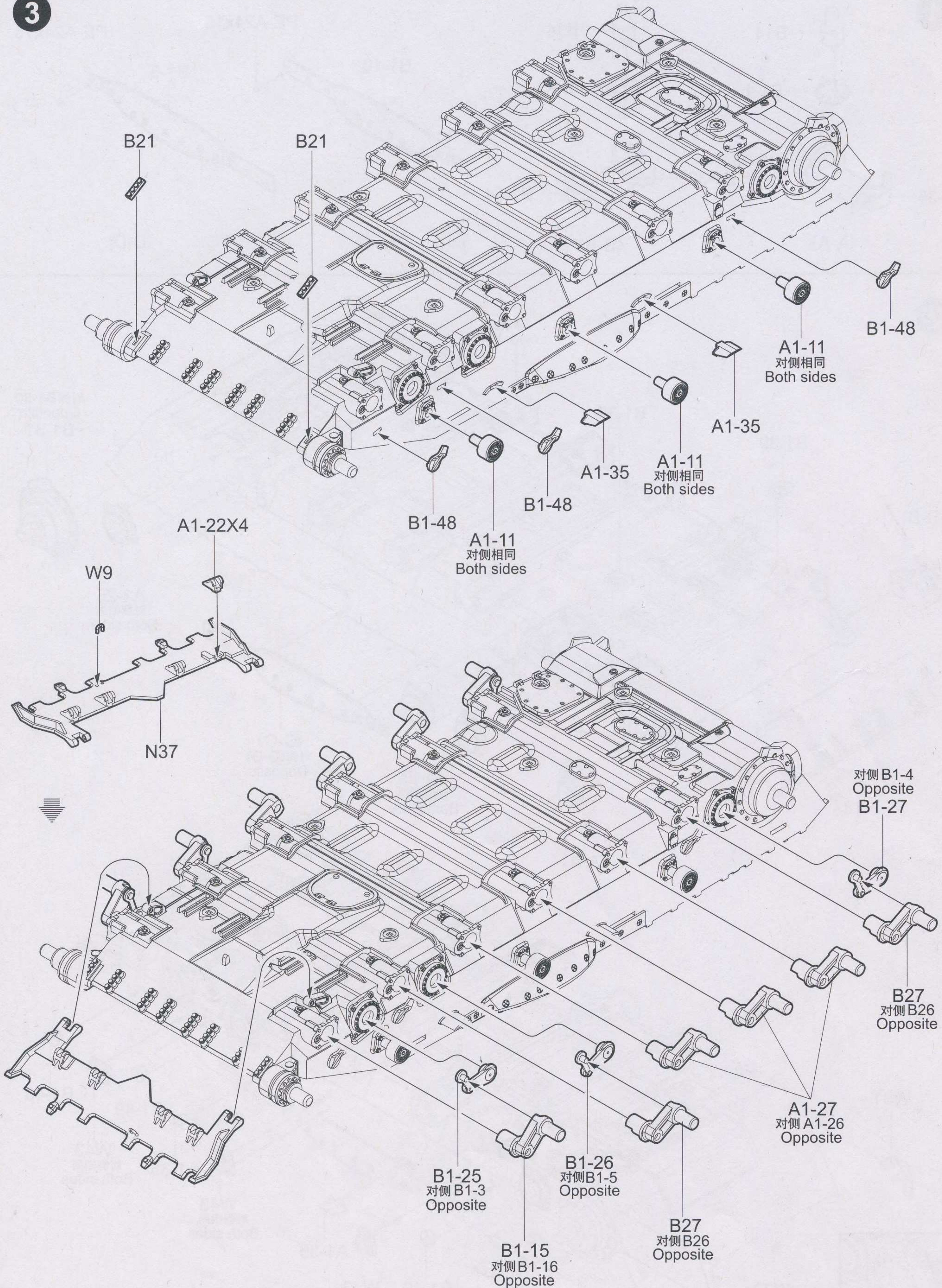
《软管》 \varnothing 1.2X250mm
Vinyl tubing



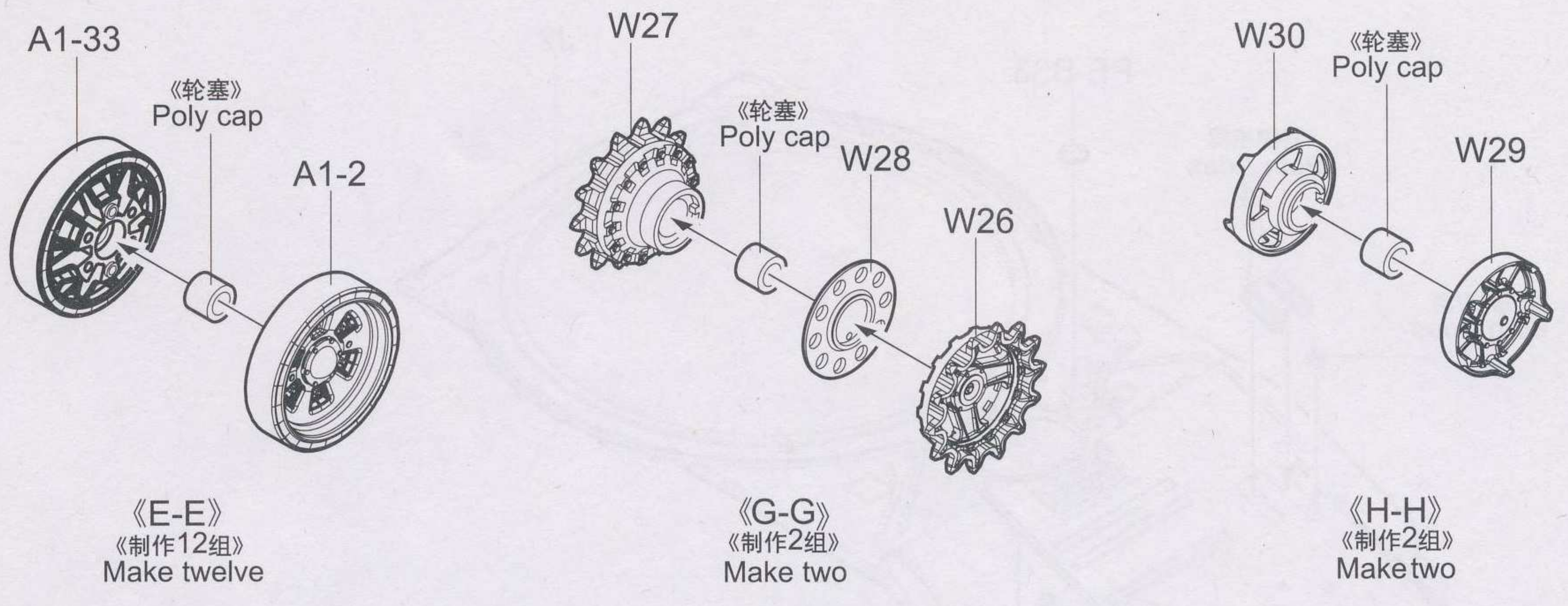
《铜缆》 \varnothing 0.8X250mm
Brass wire



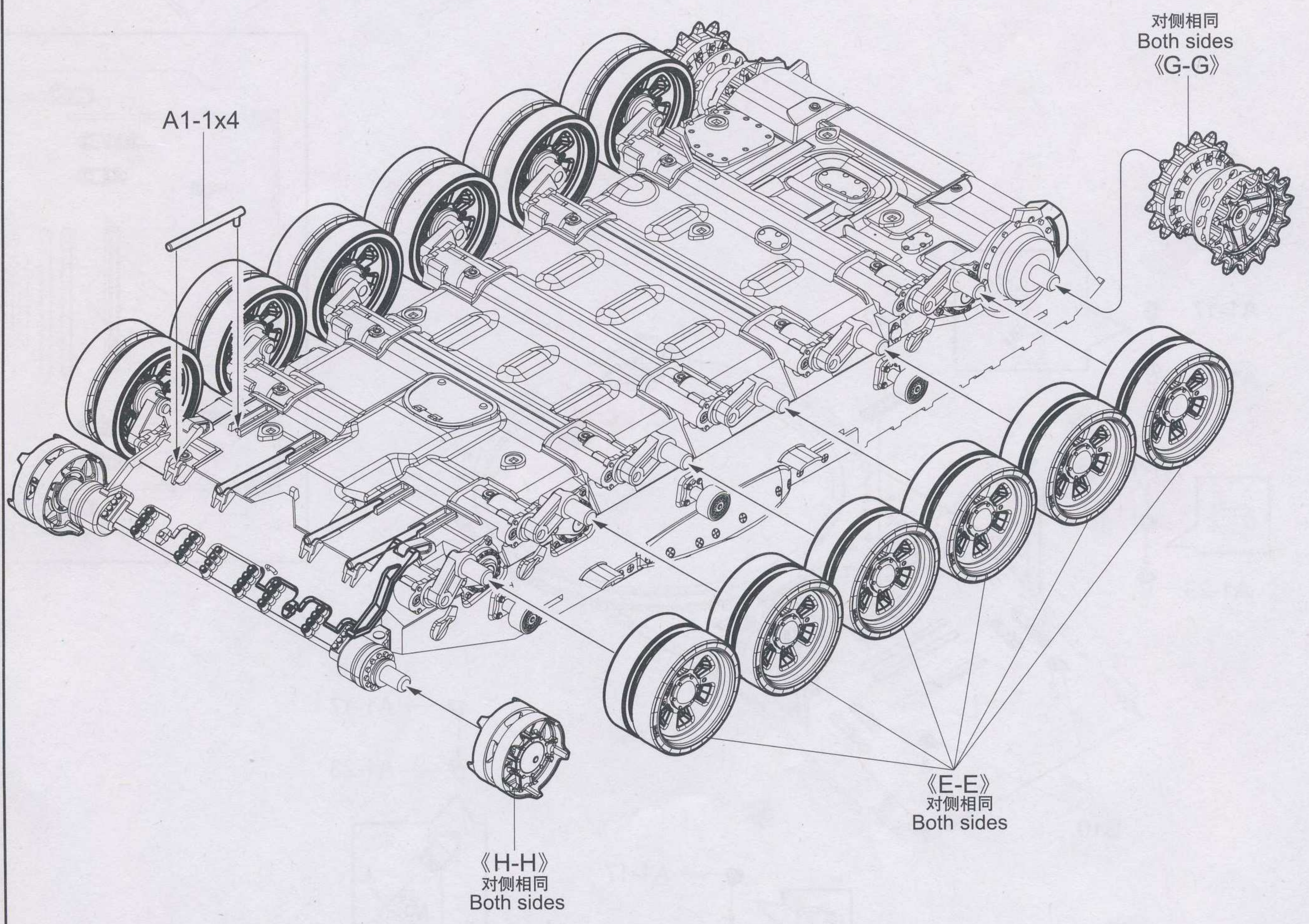




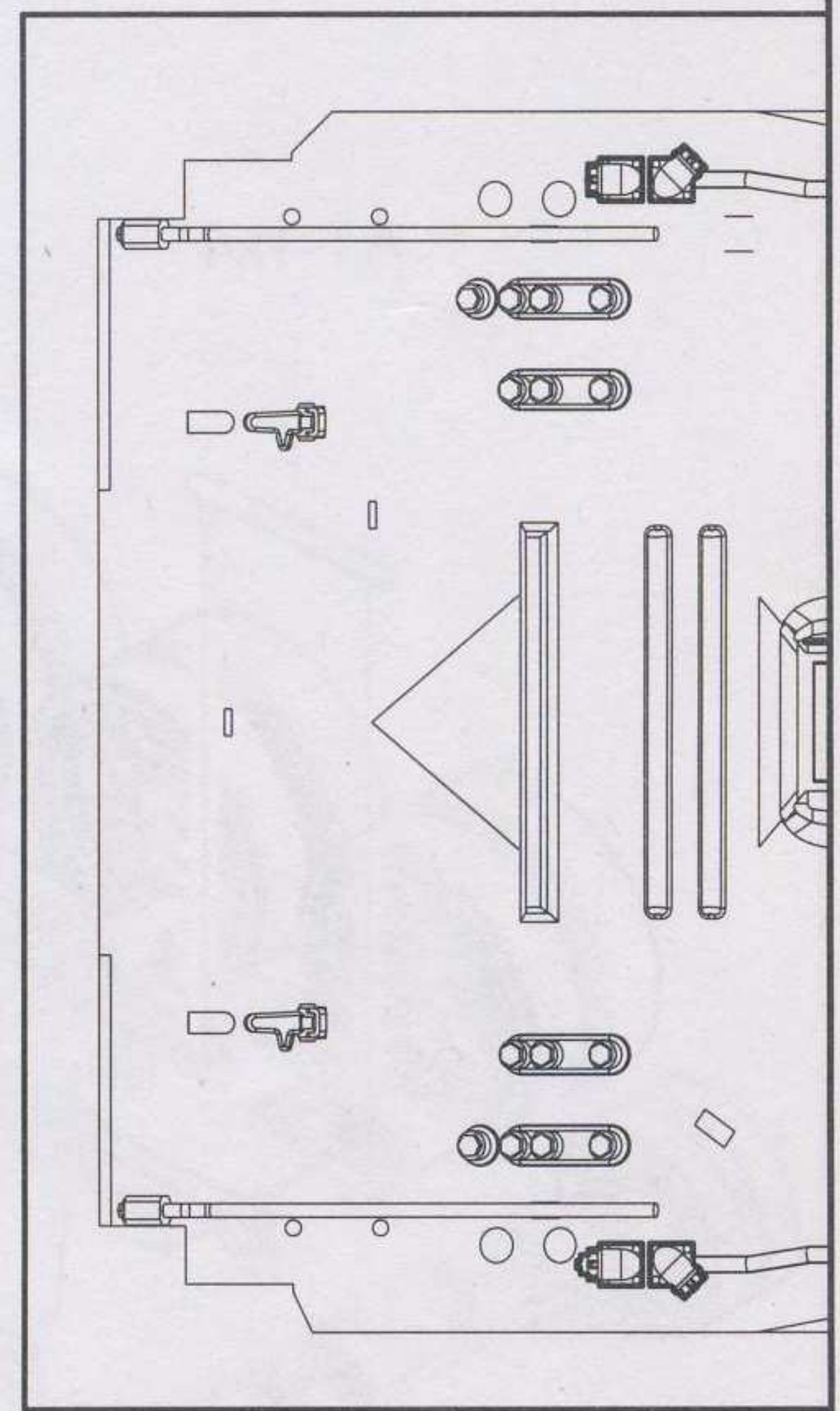
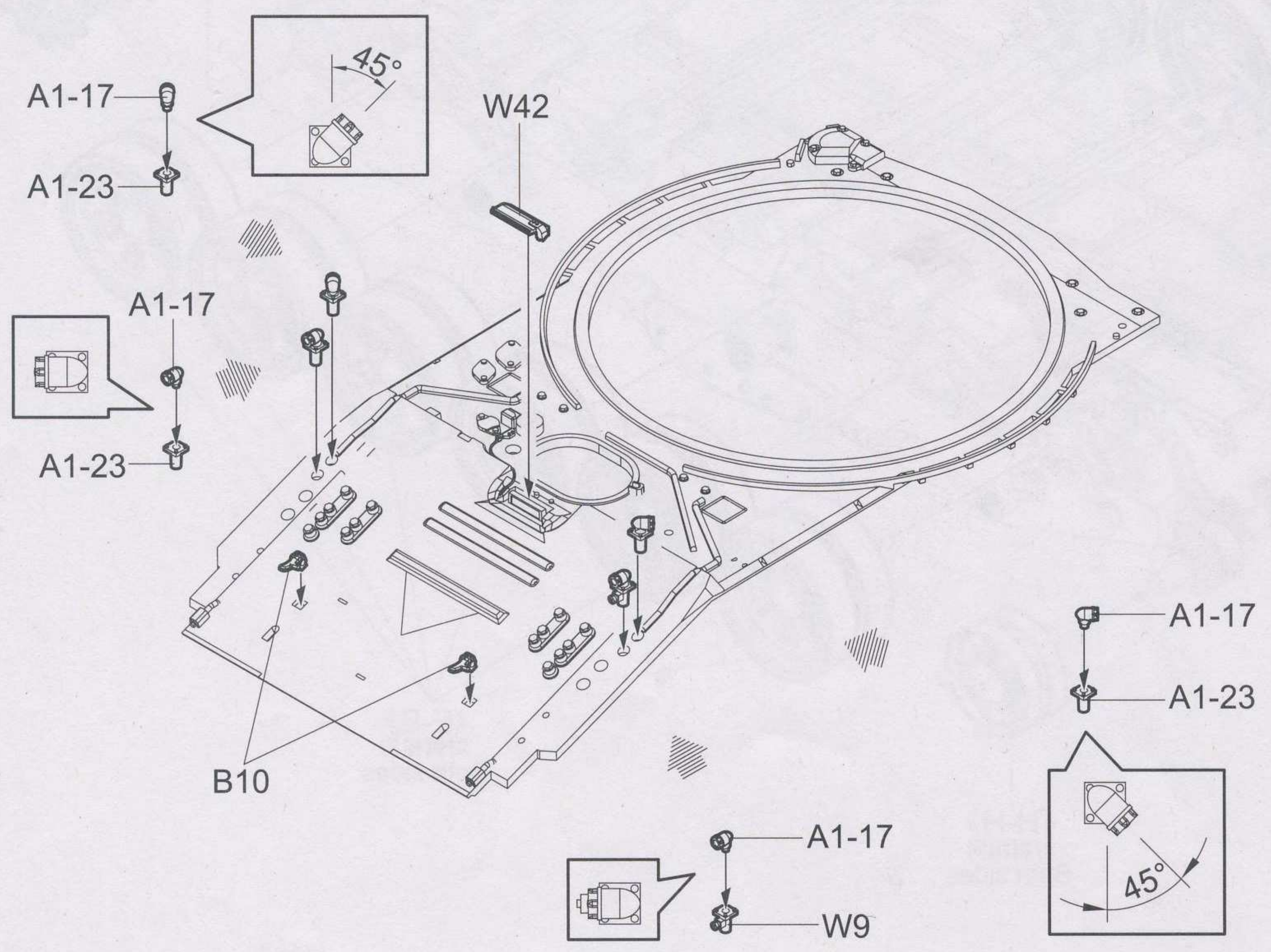
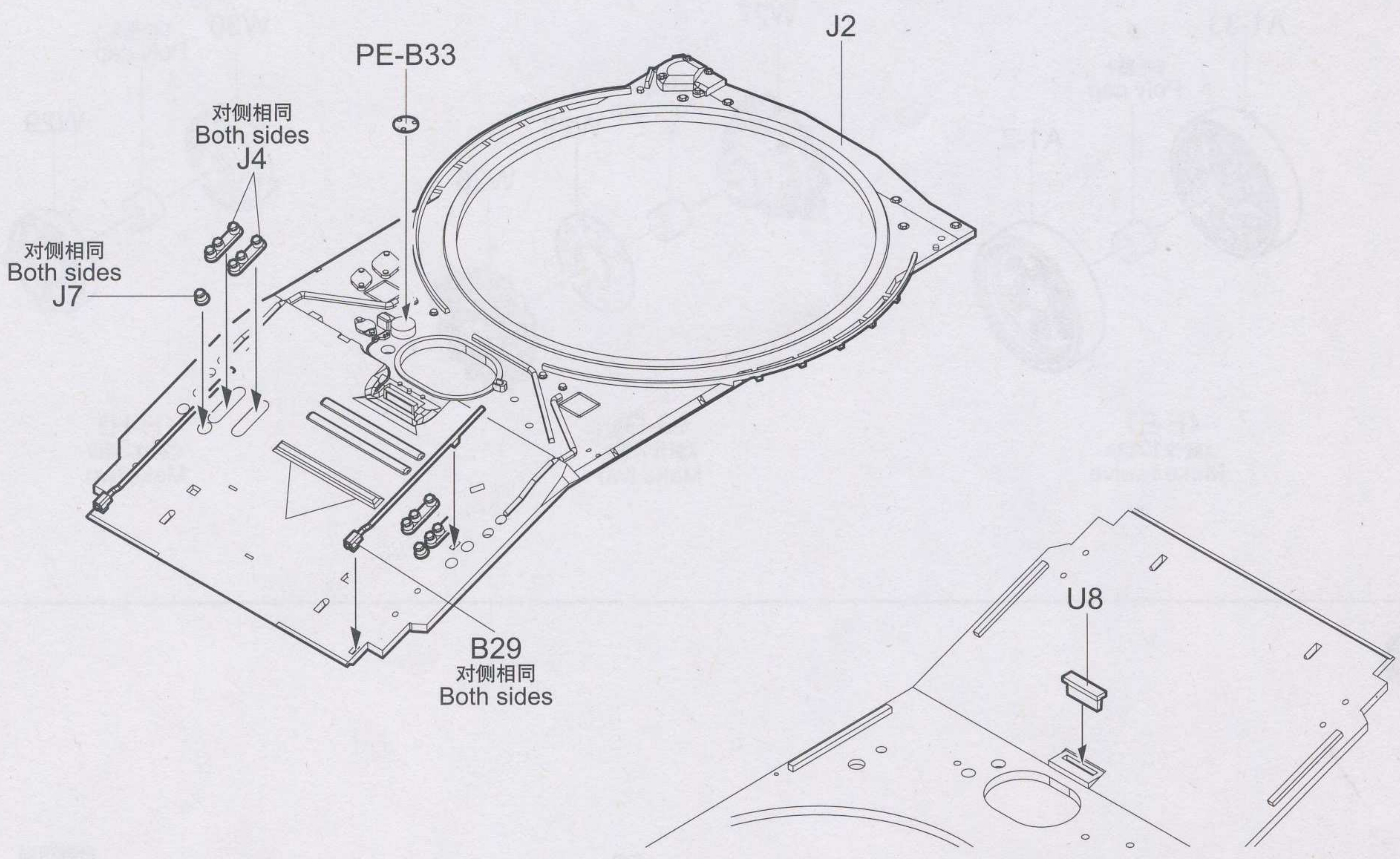
4



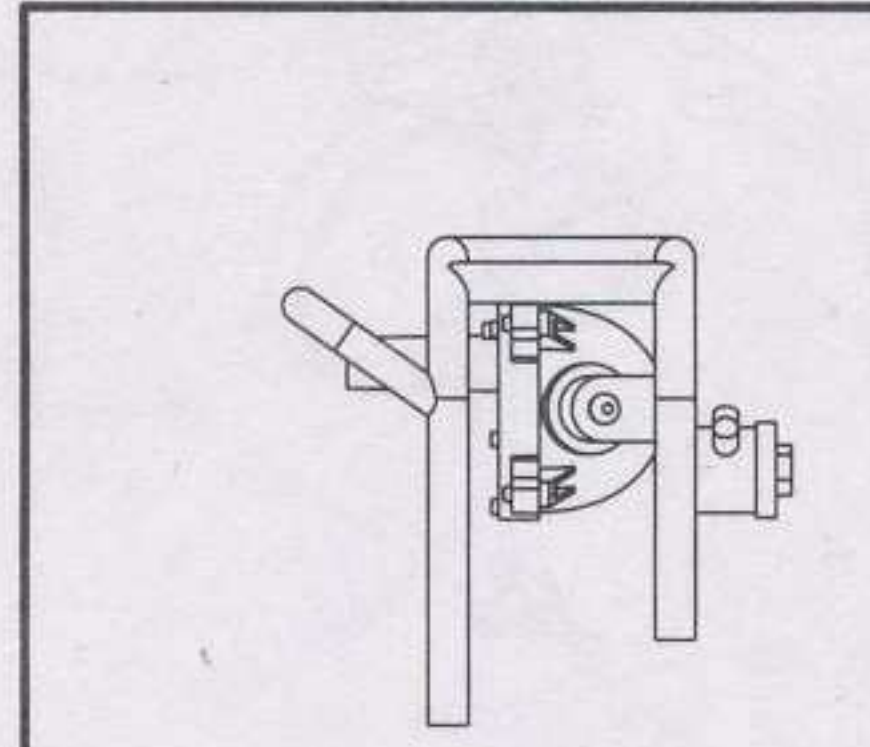
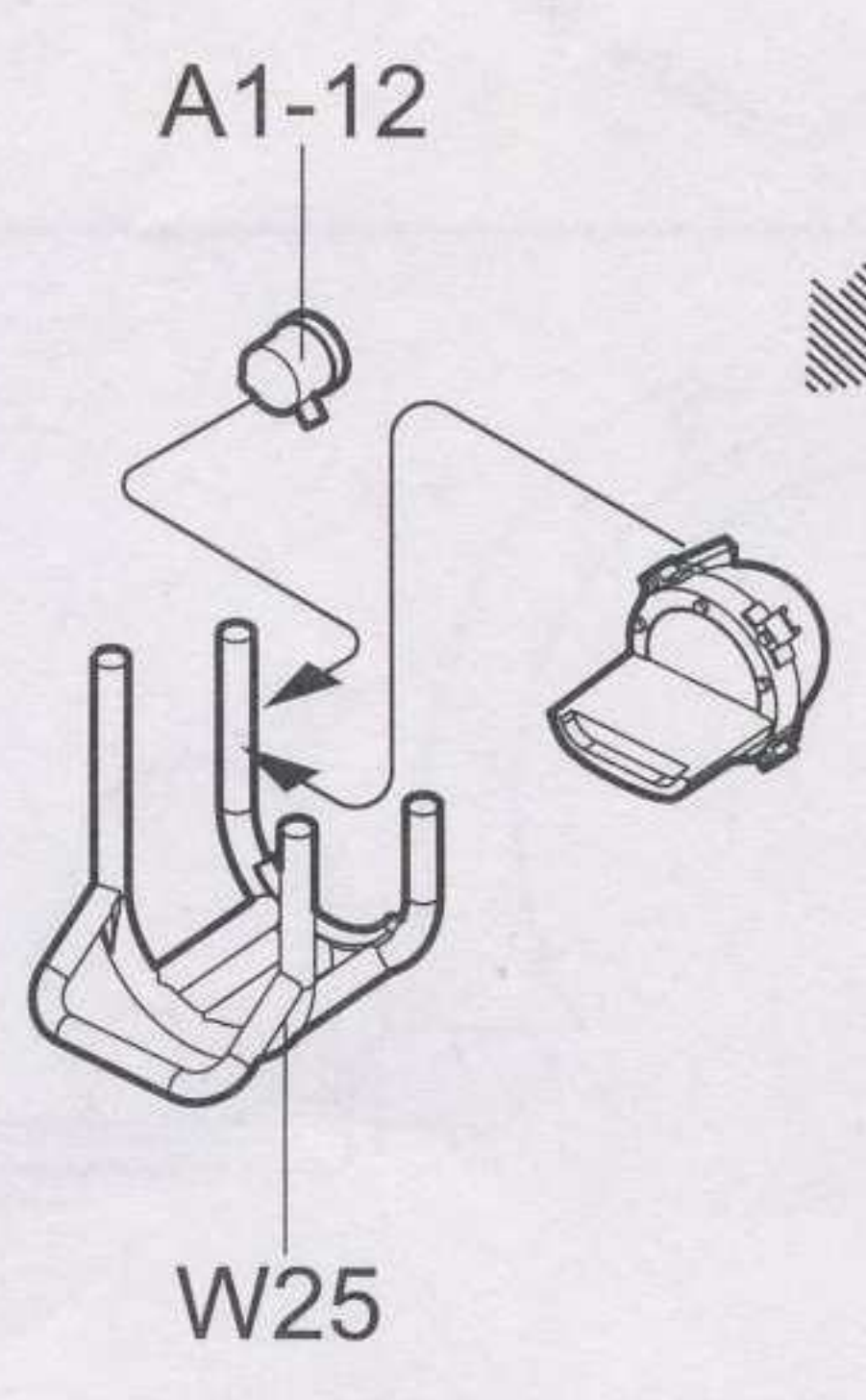
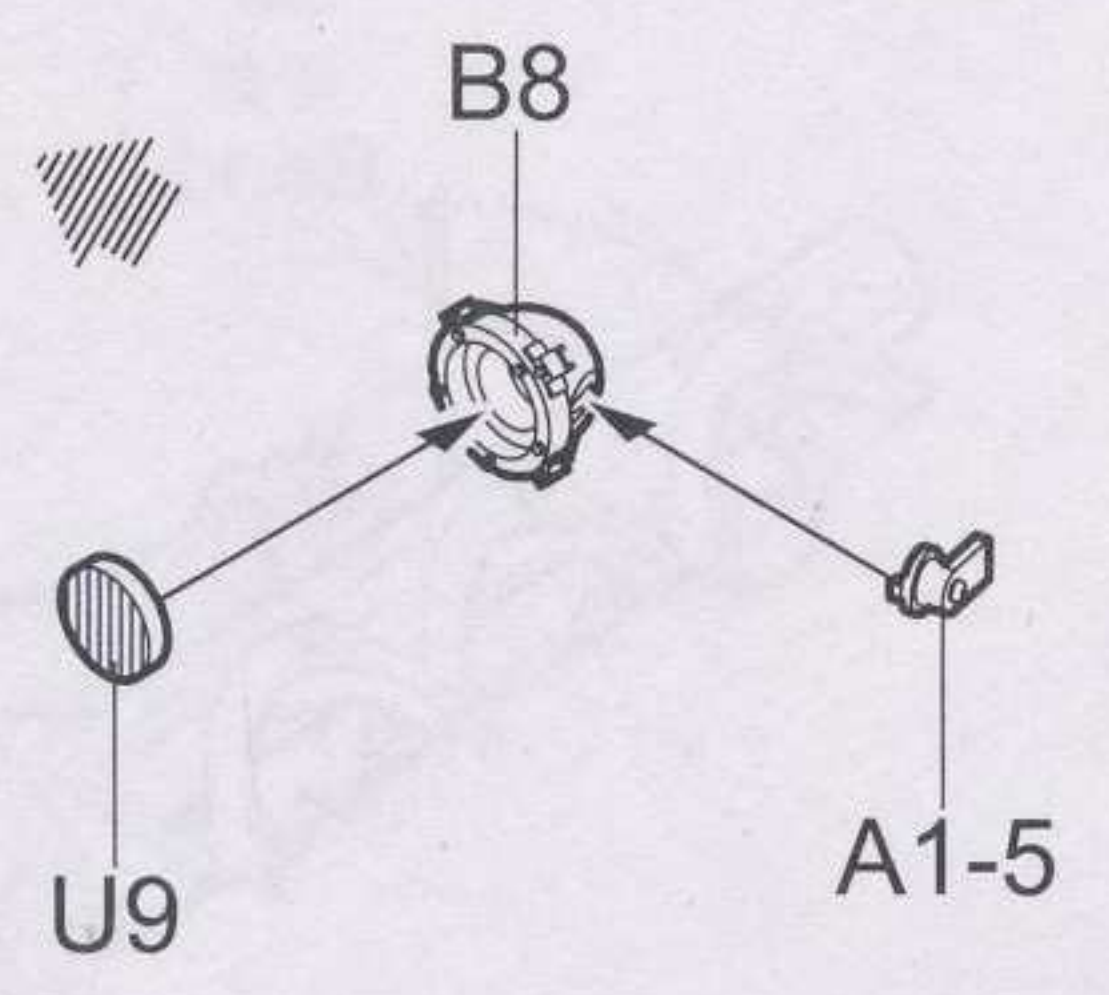
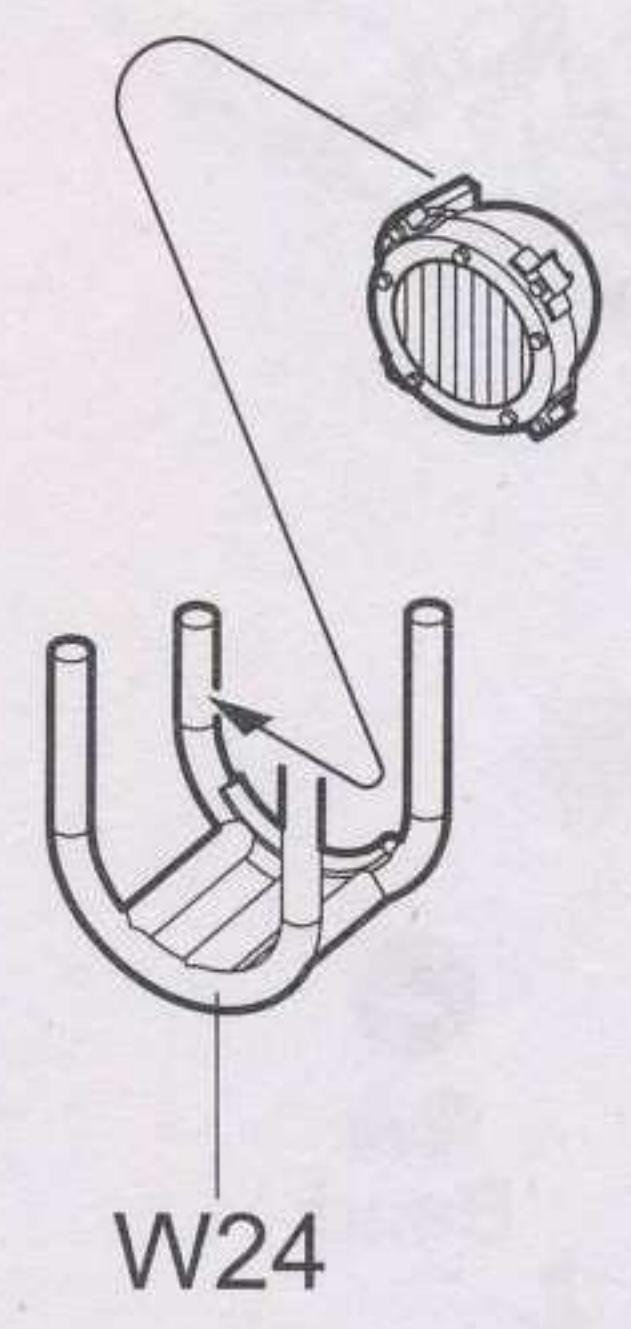
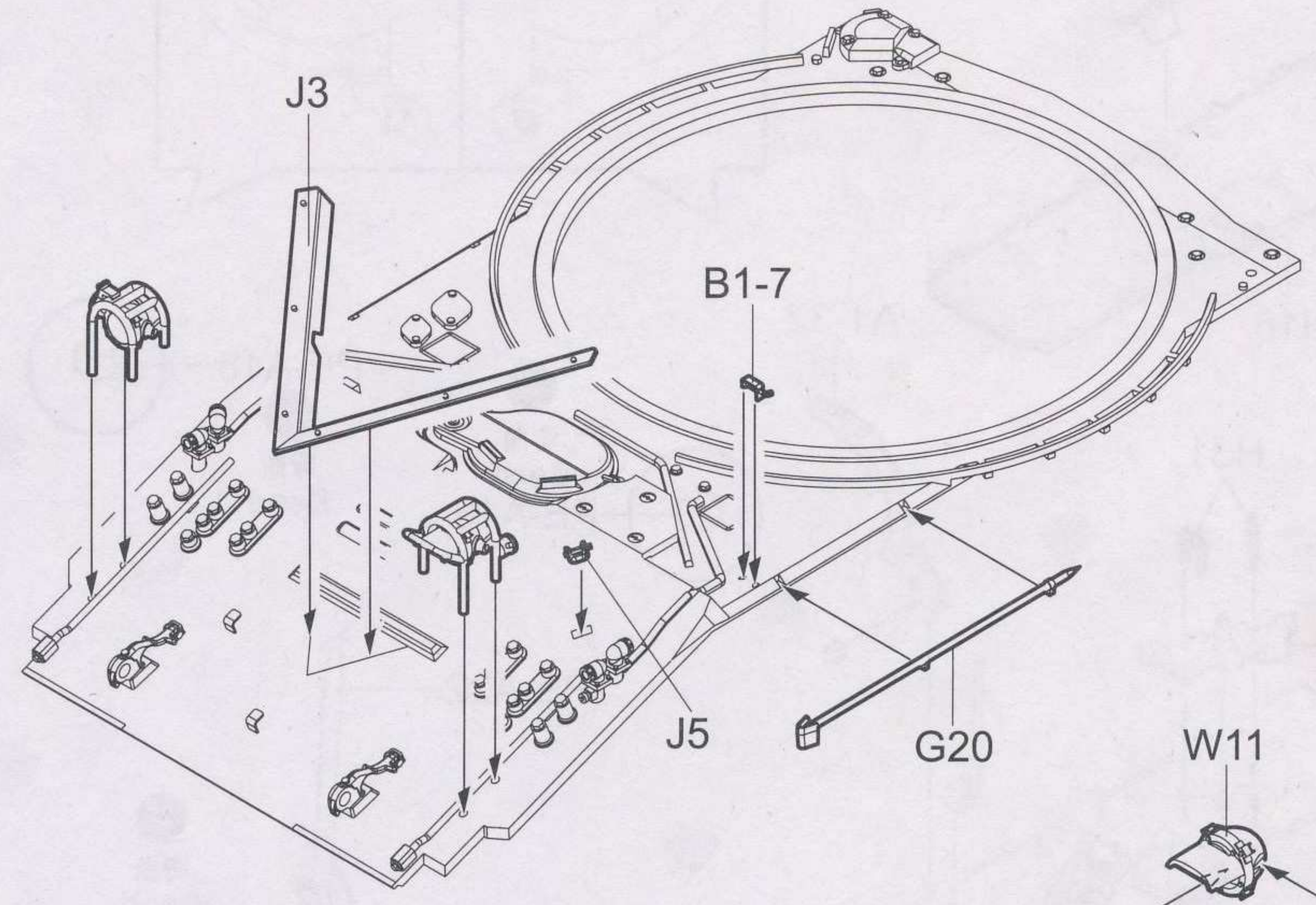
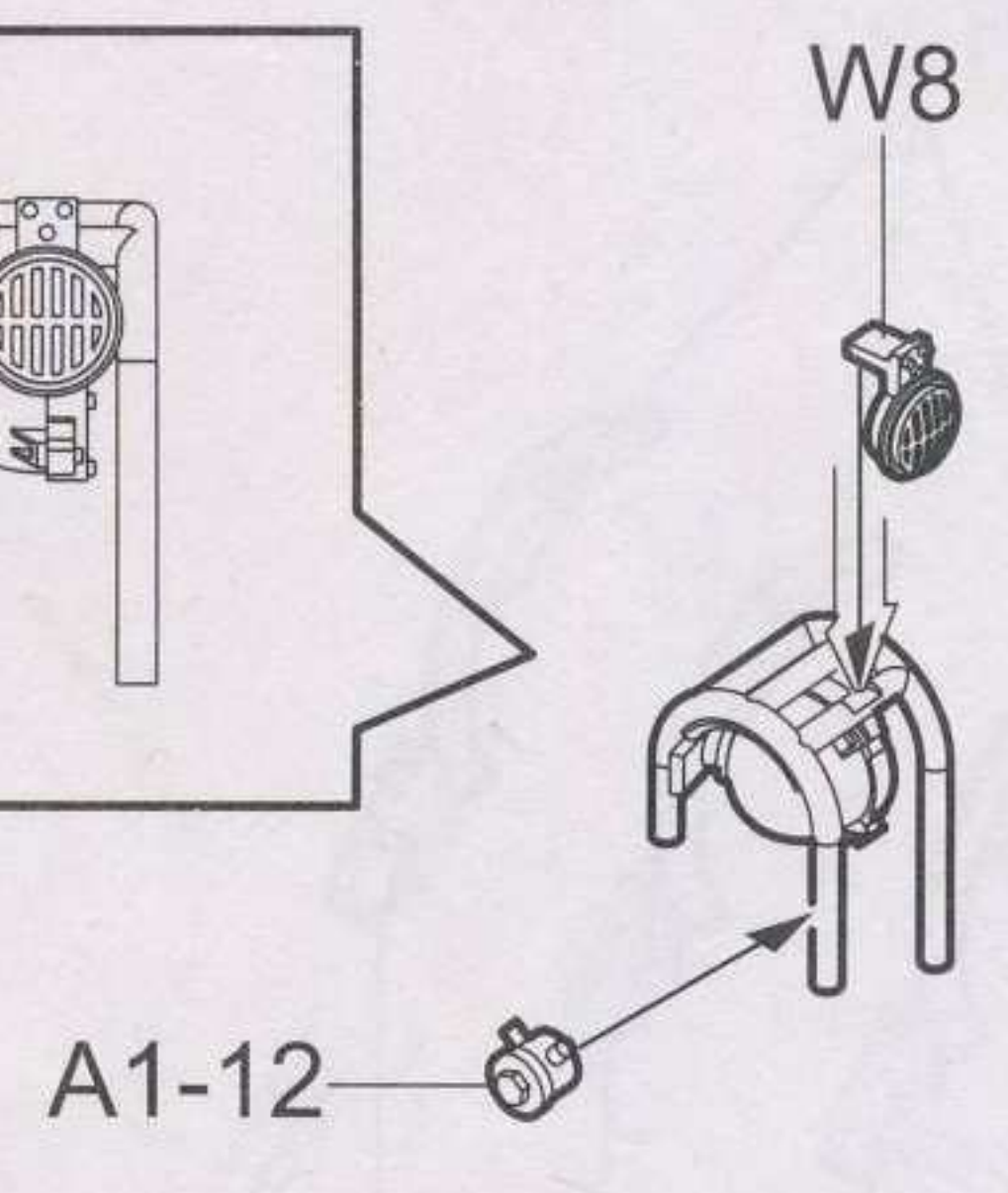
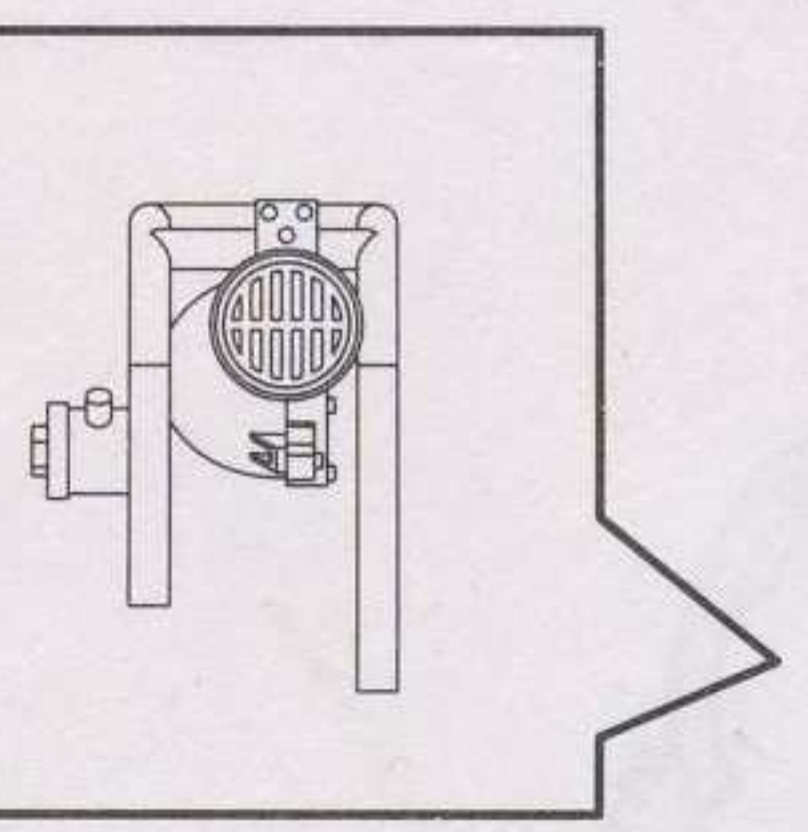
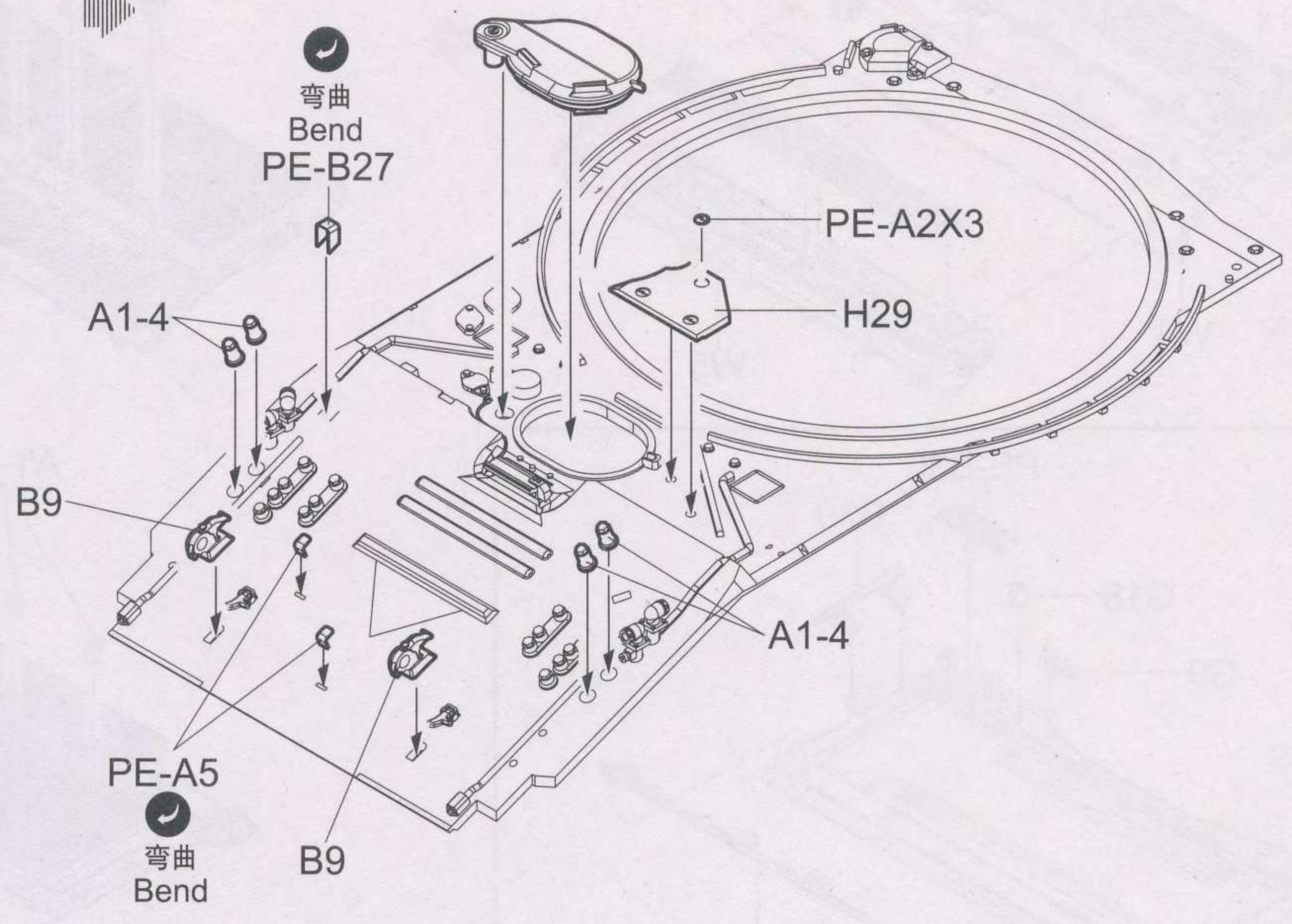
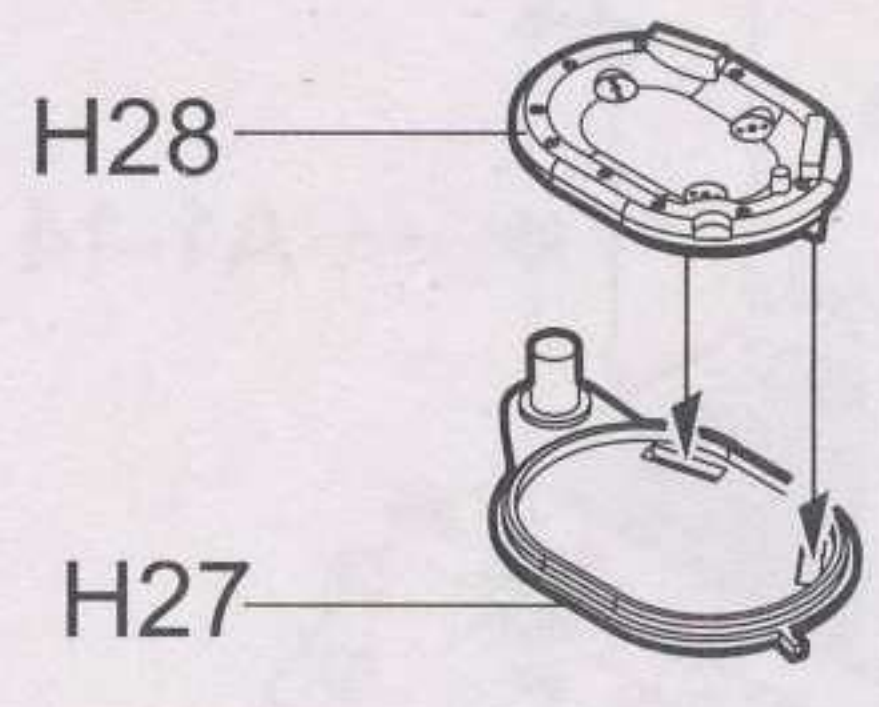
5



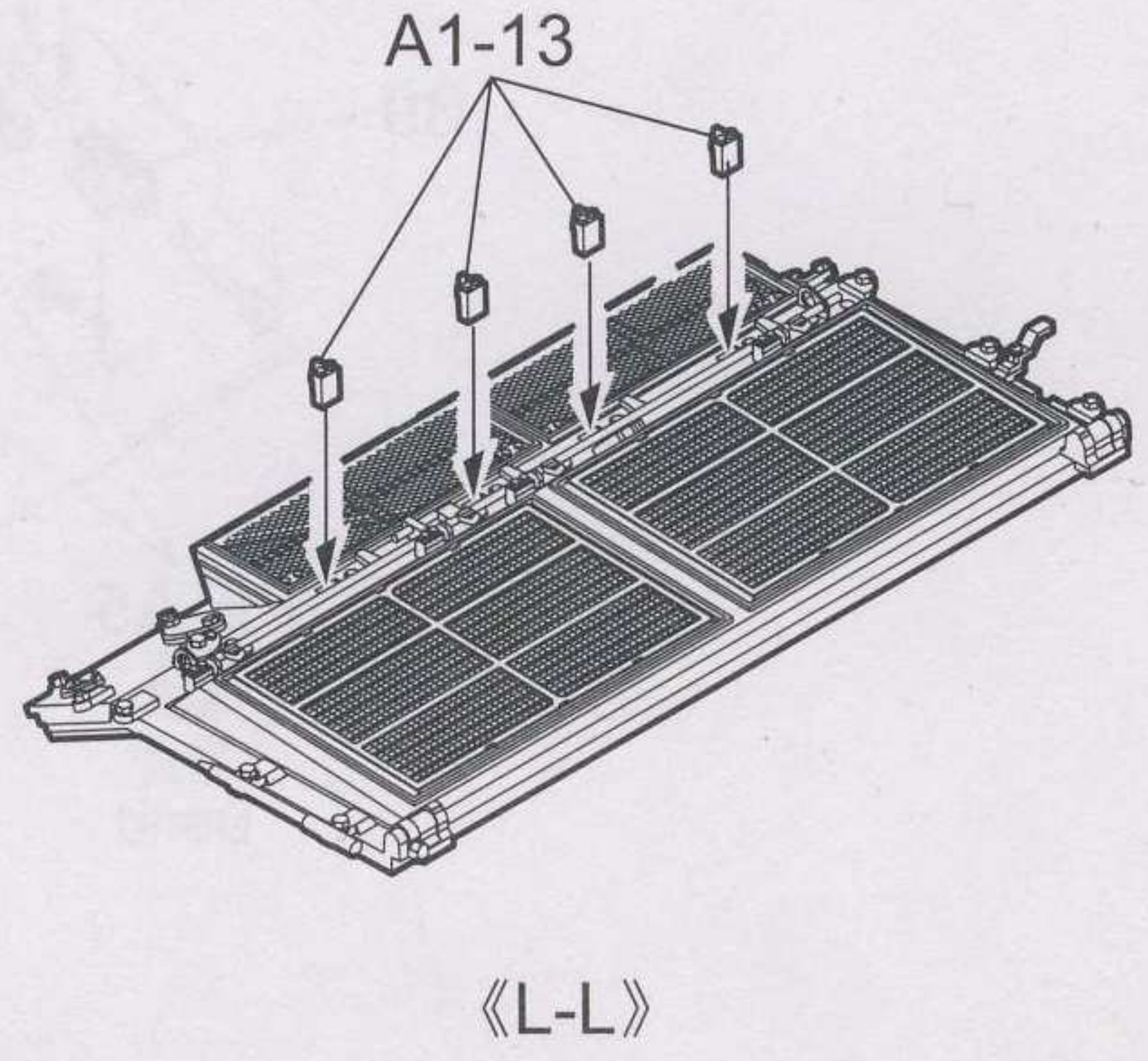
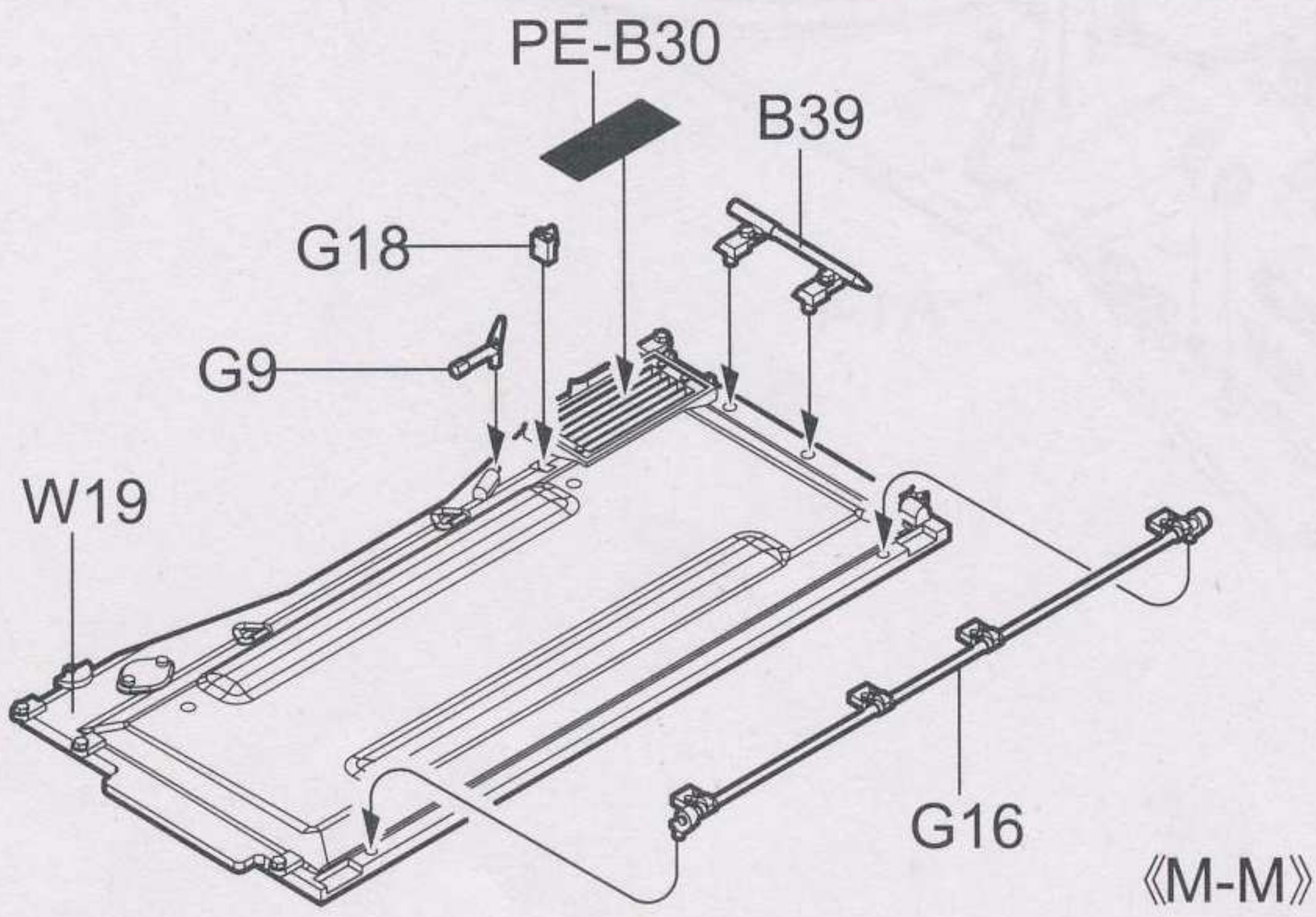
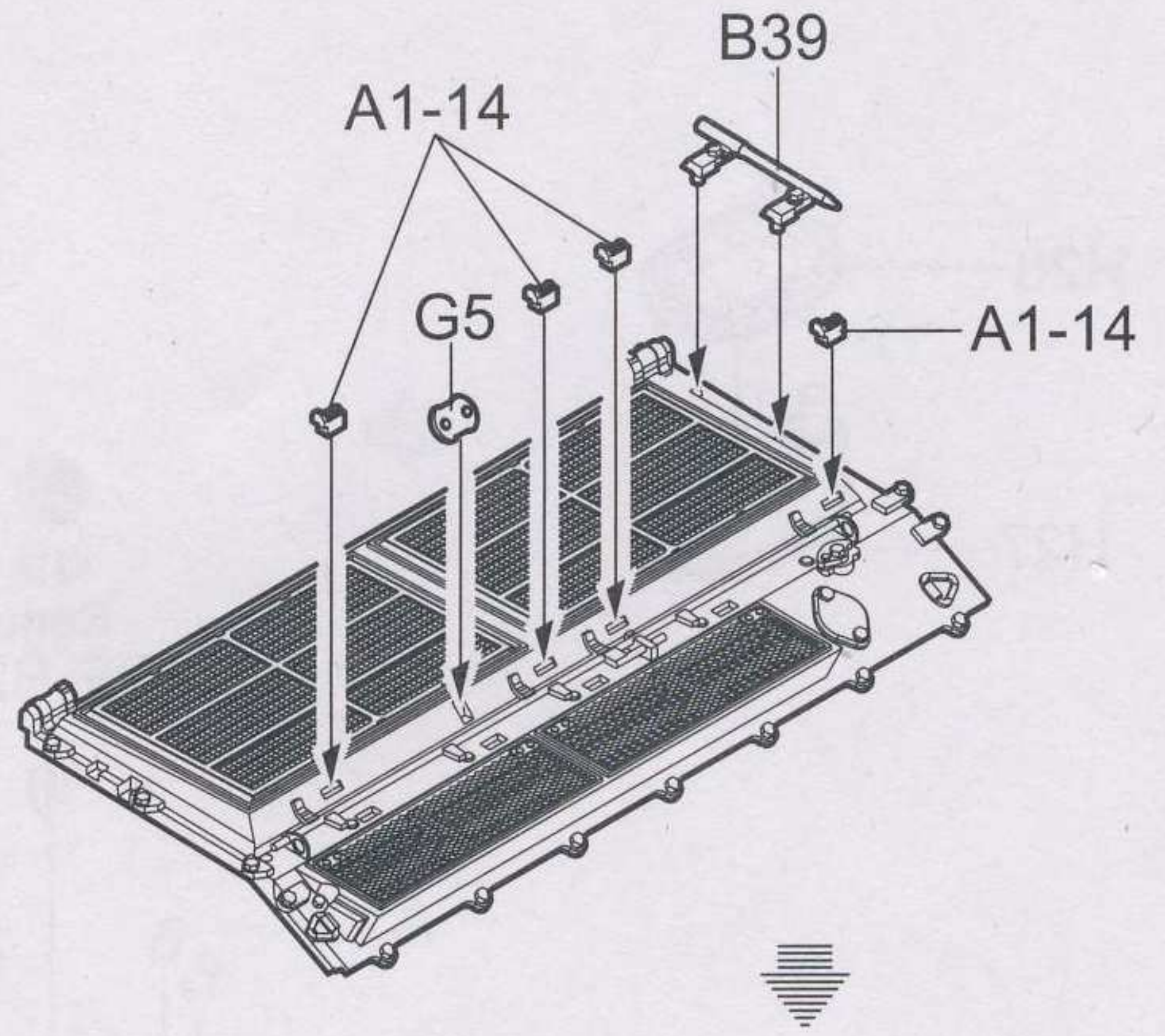
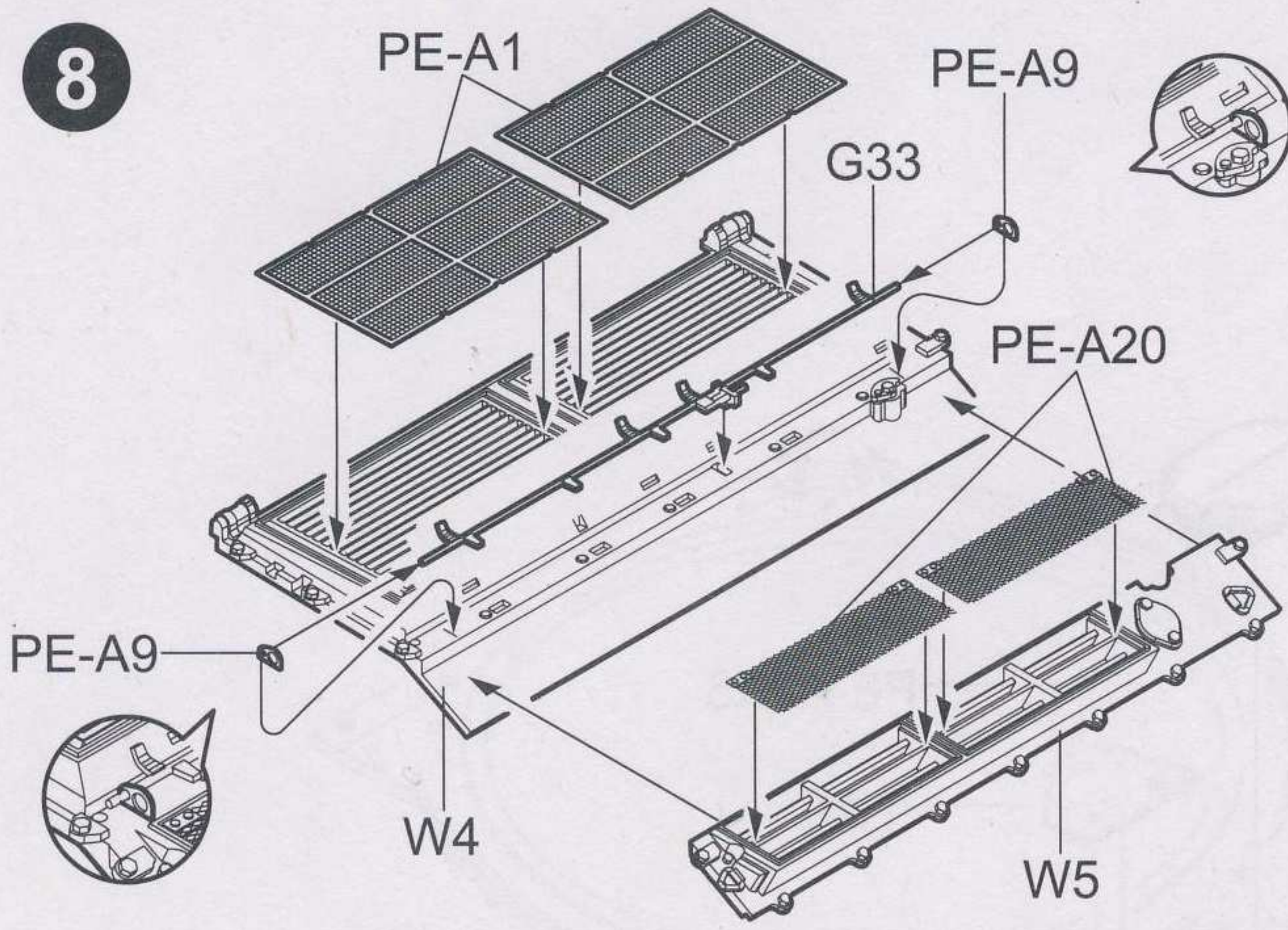
6



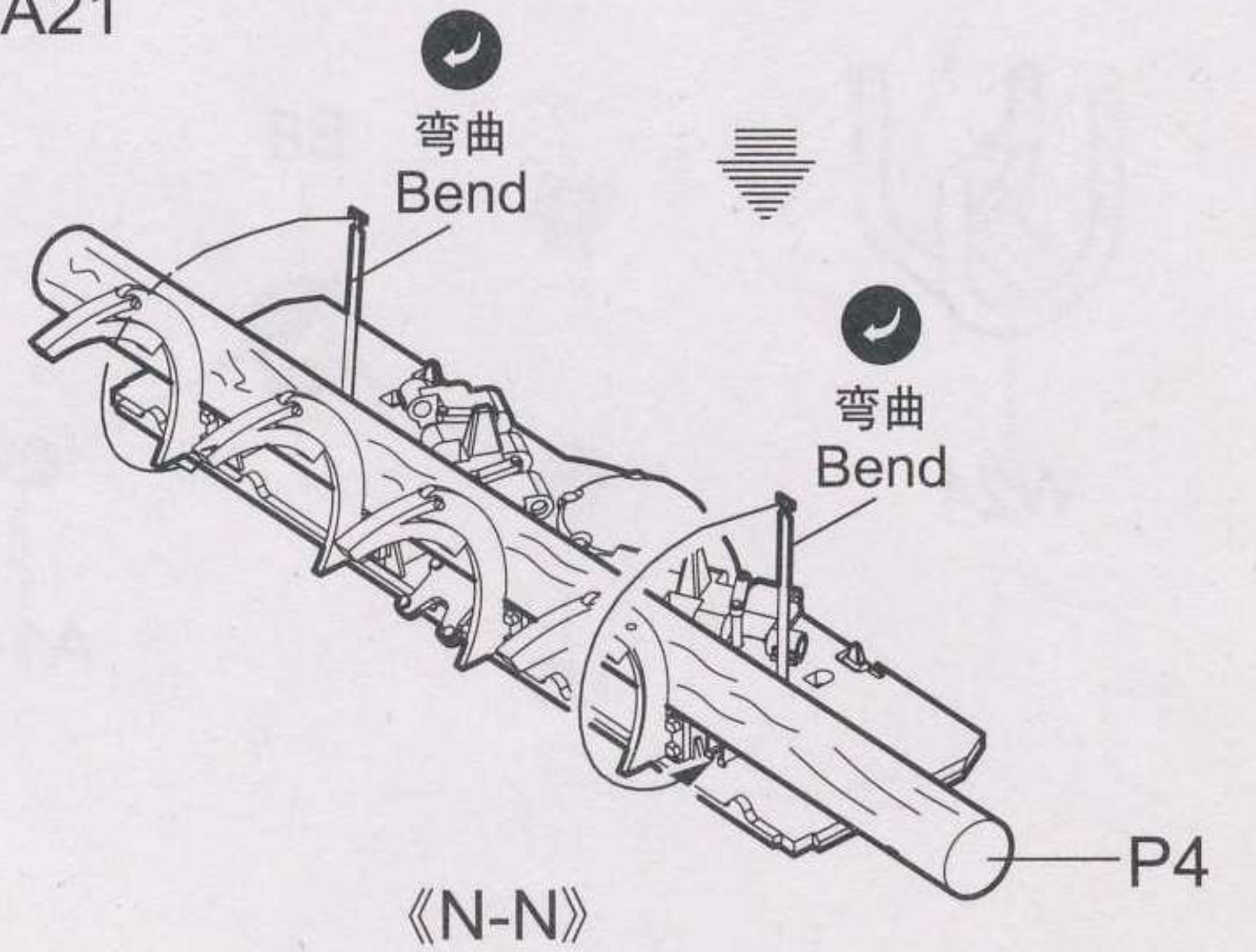
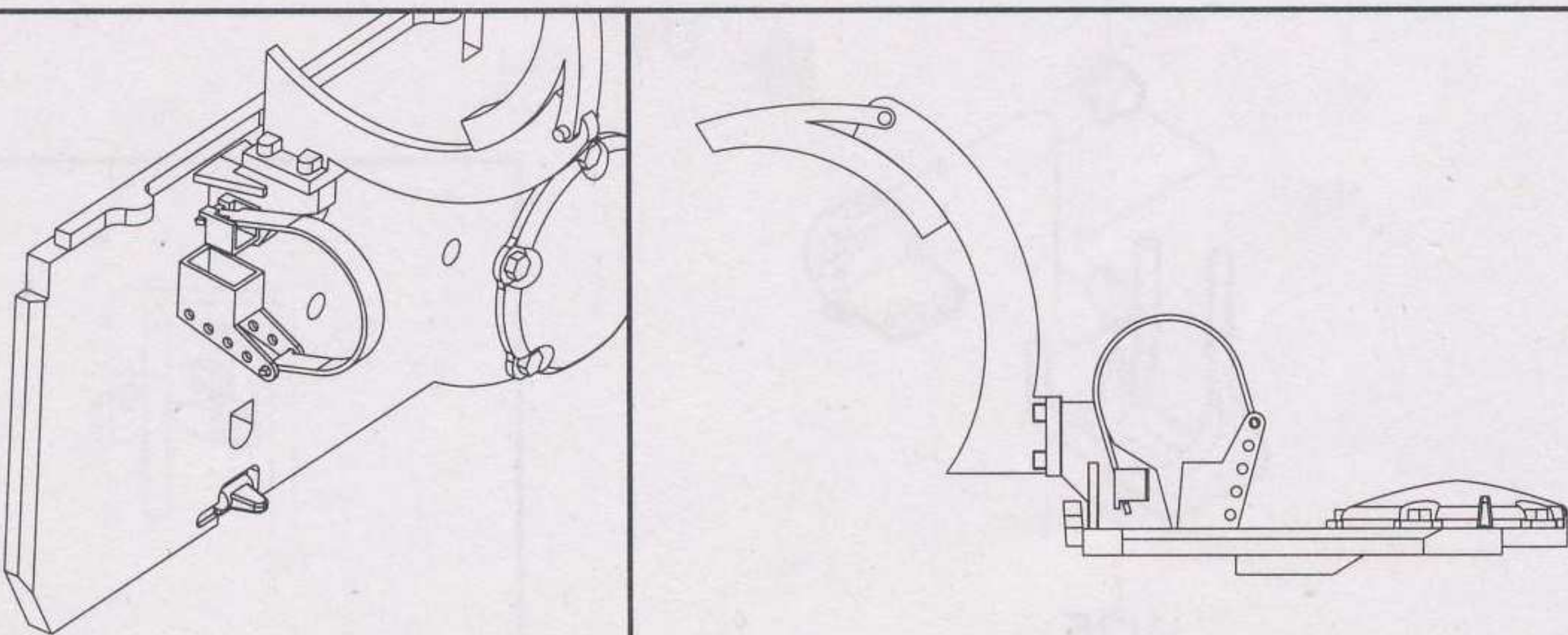
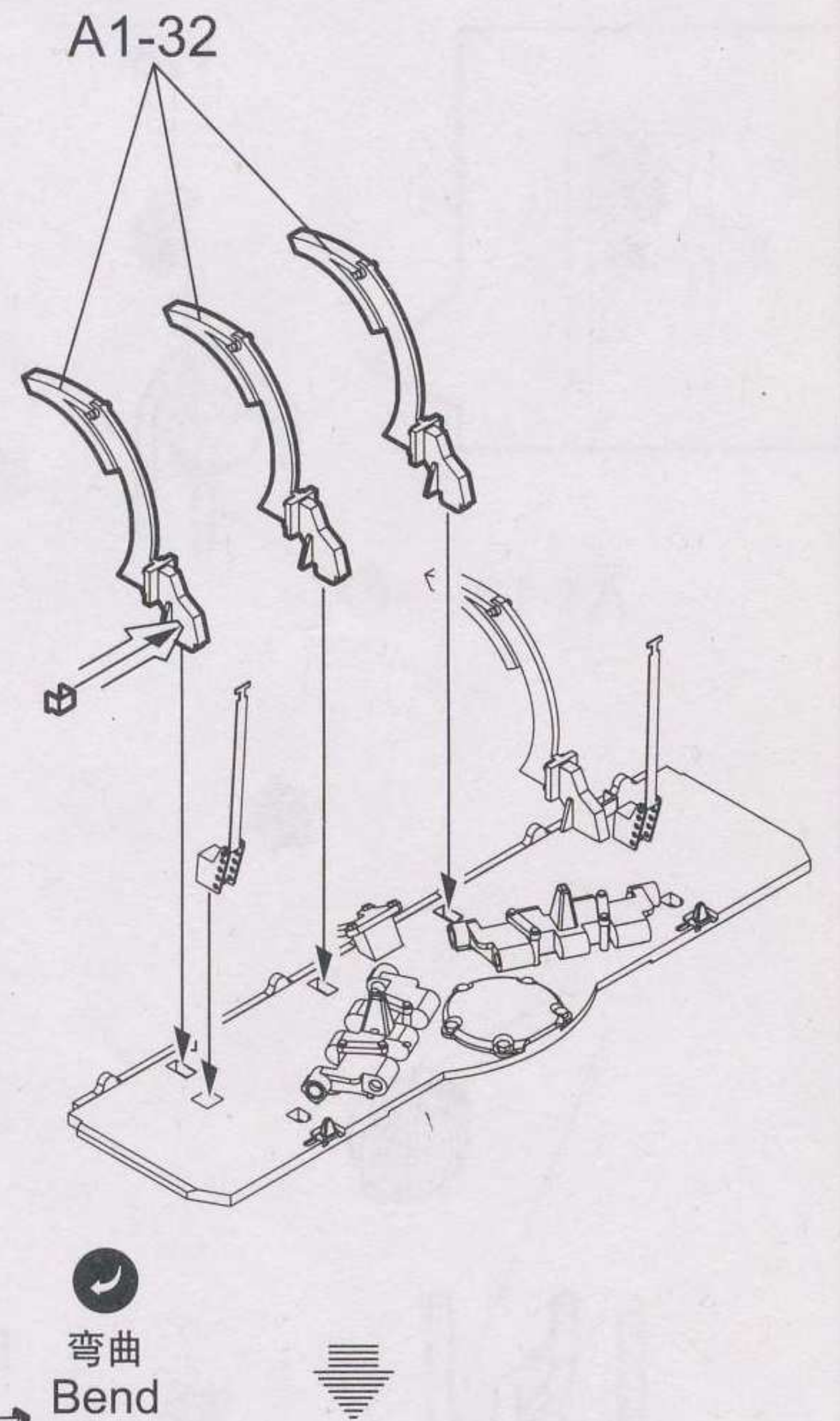
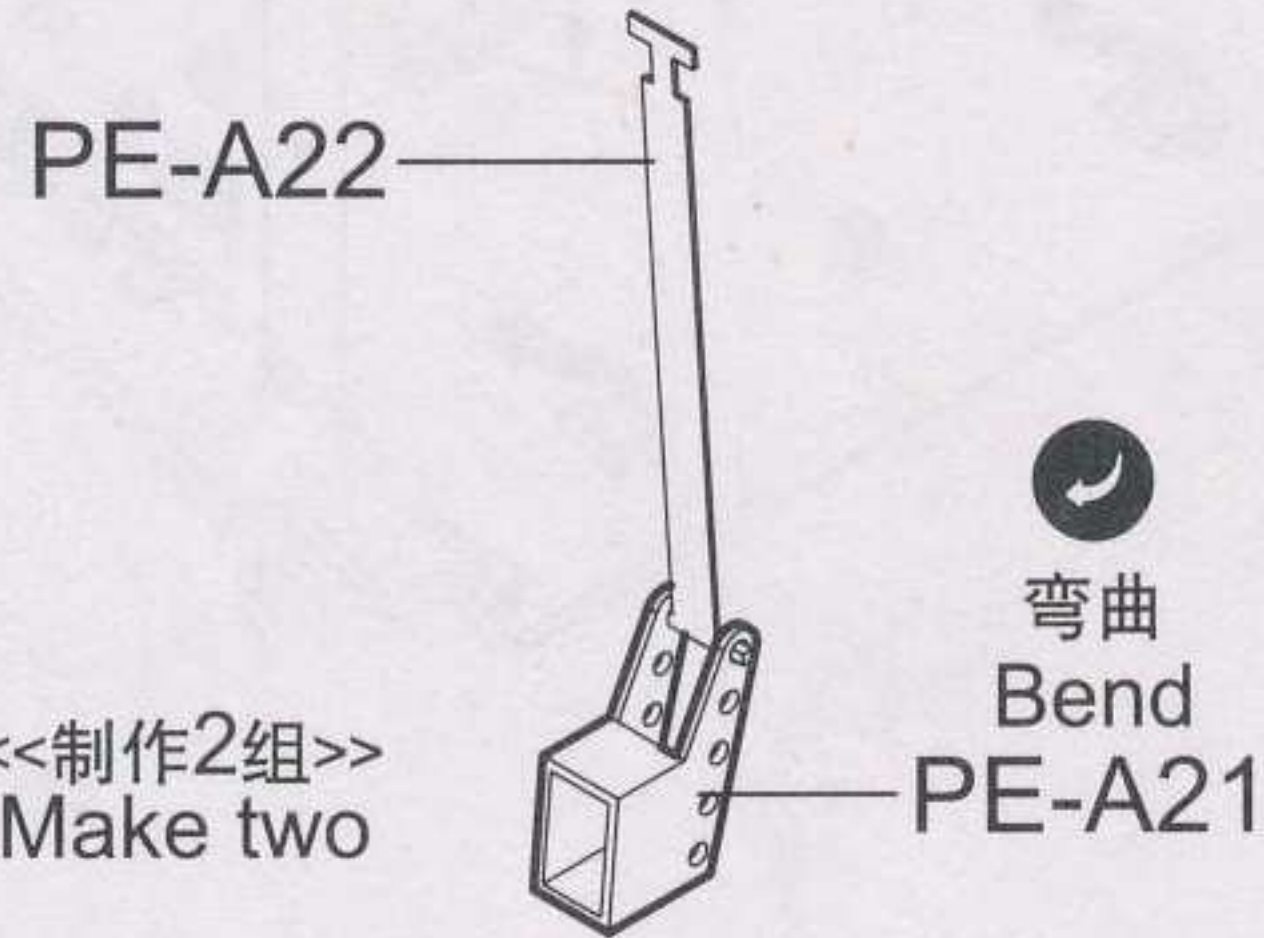
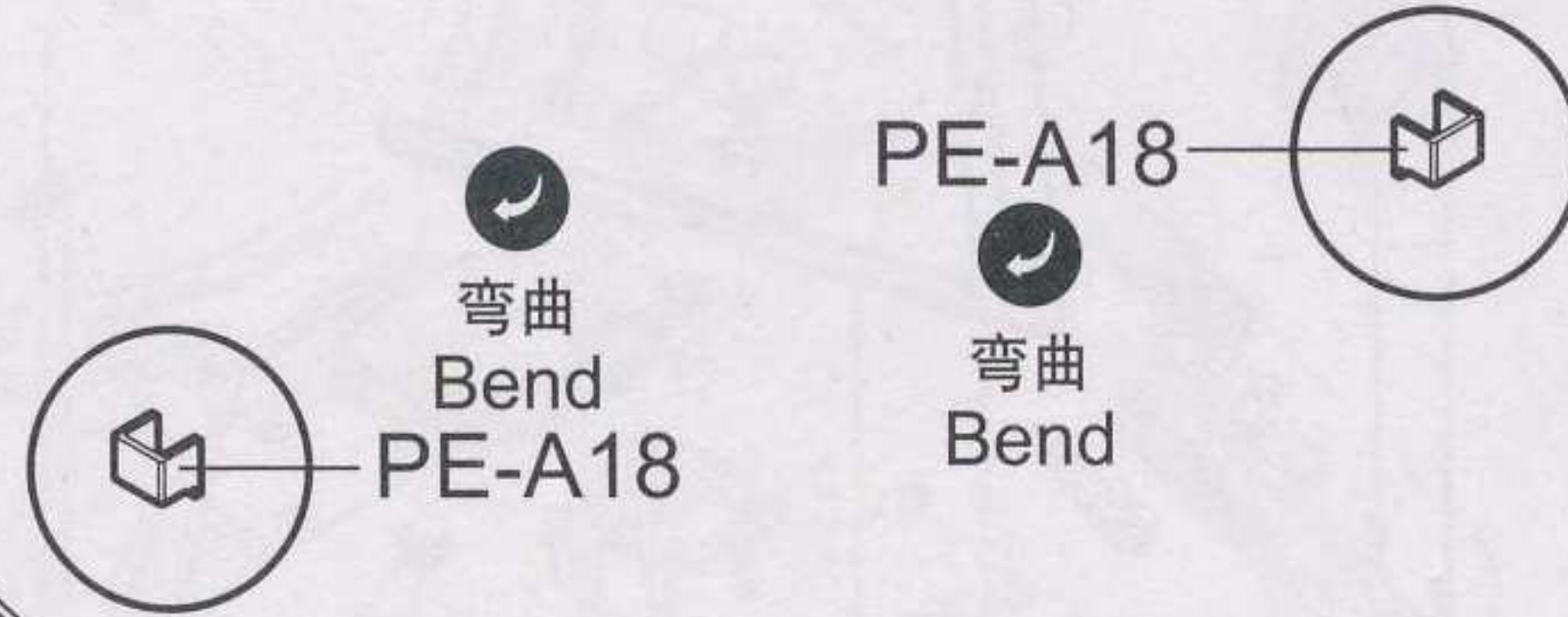
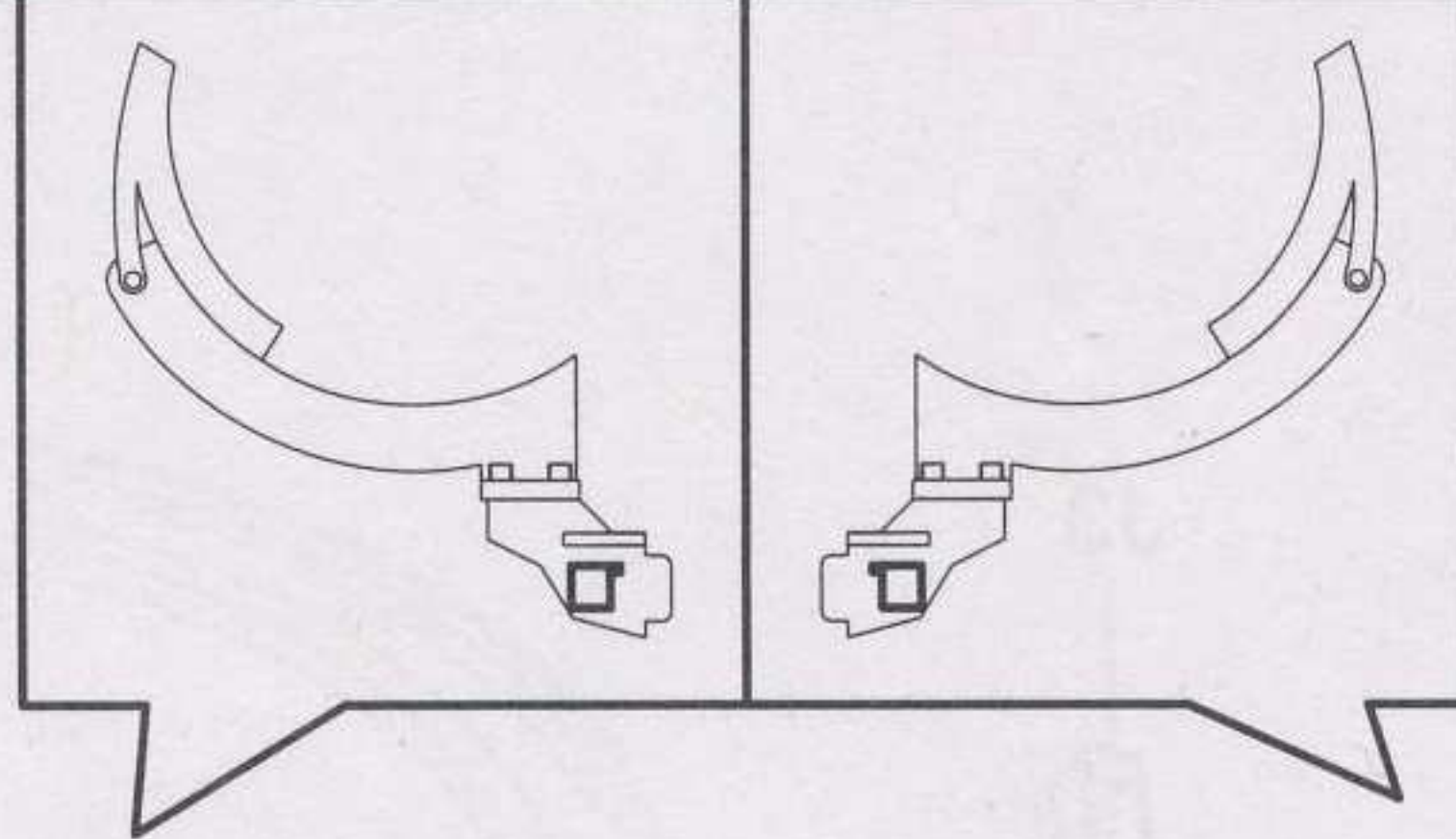
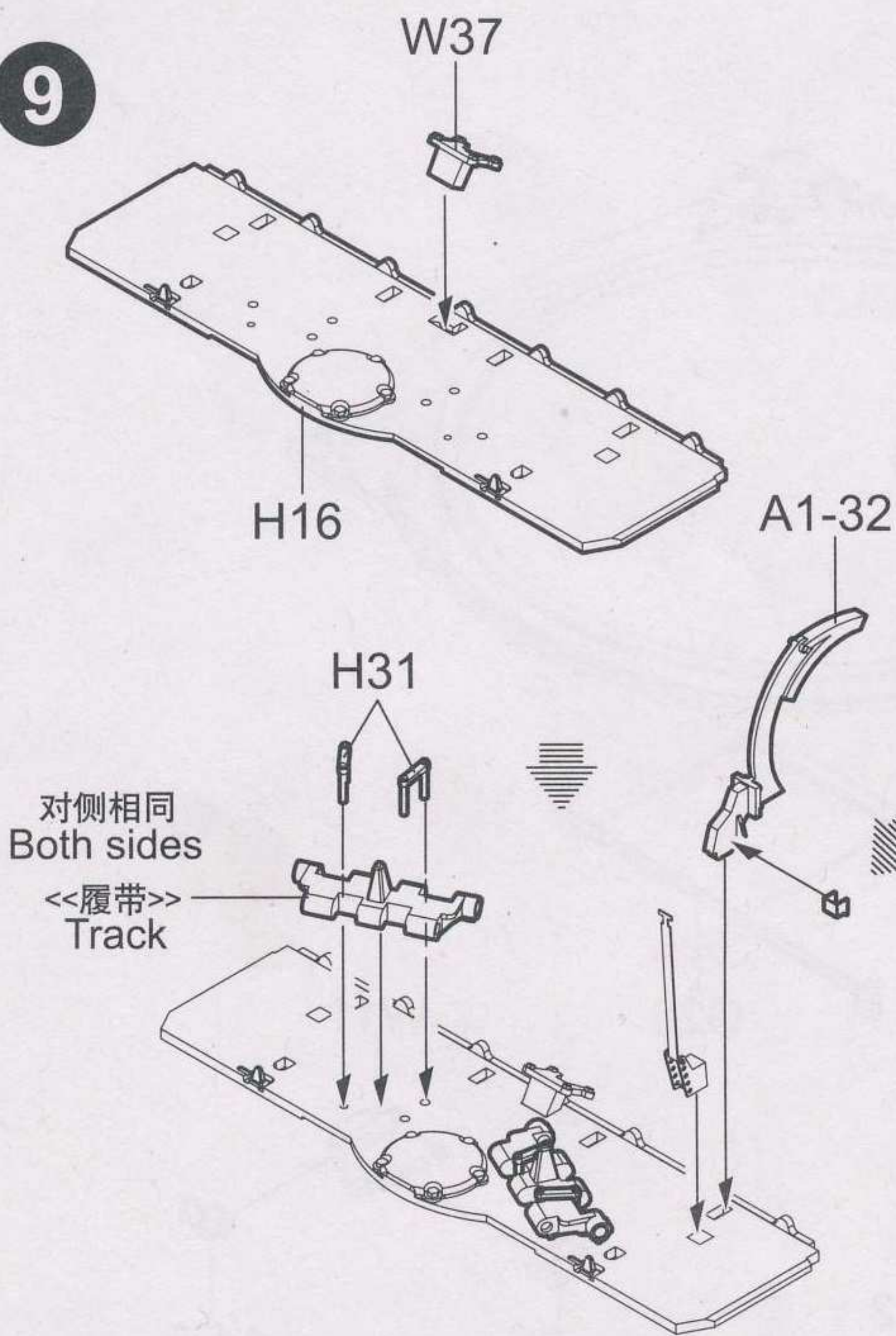
7

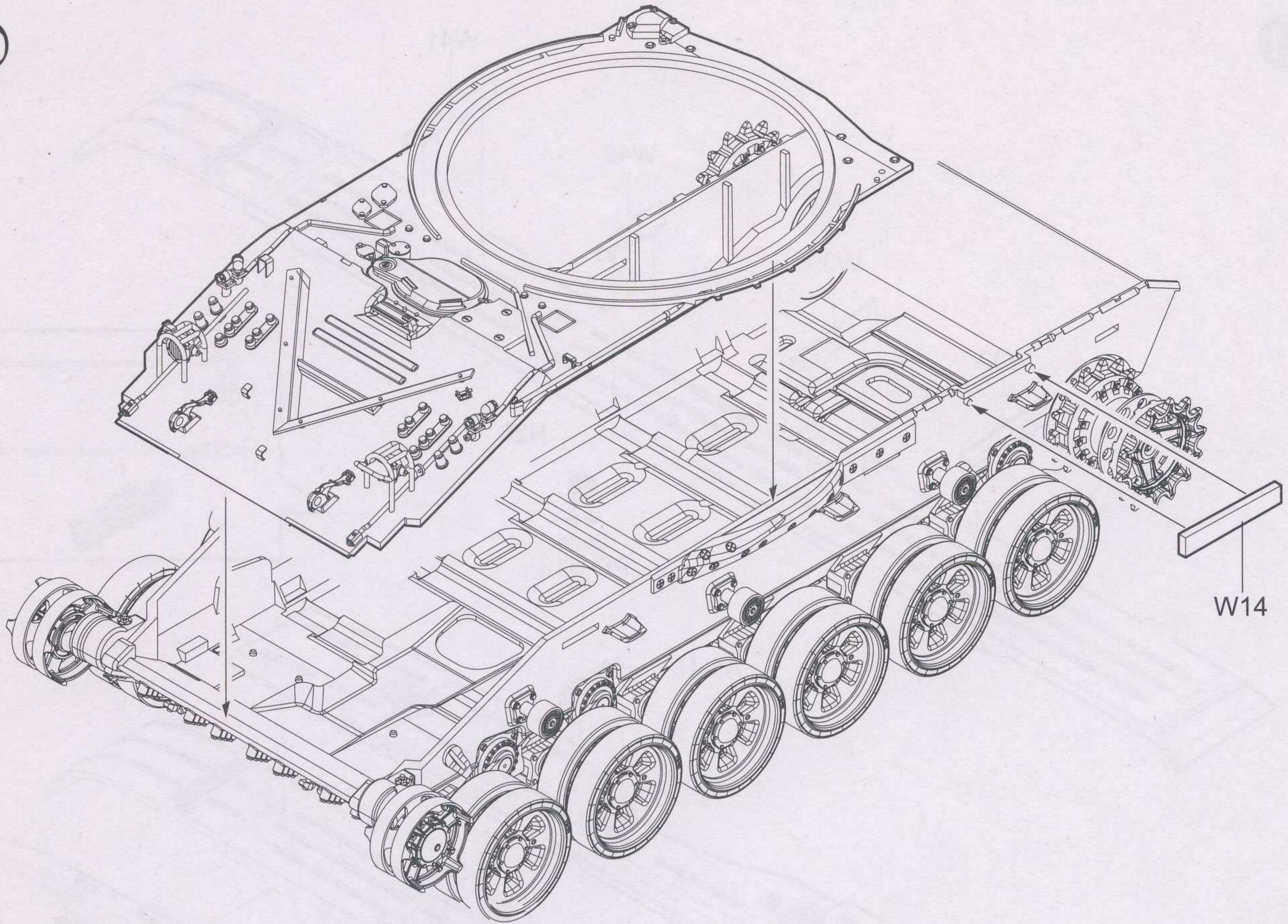


8

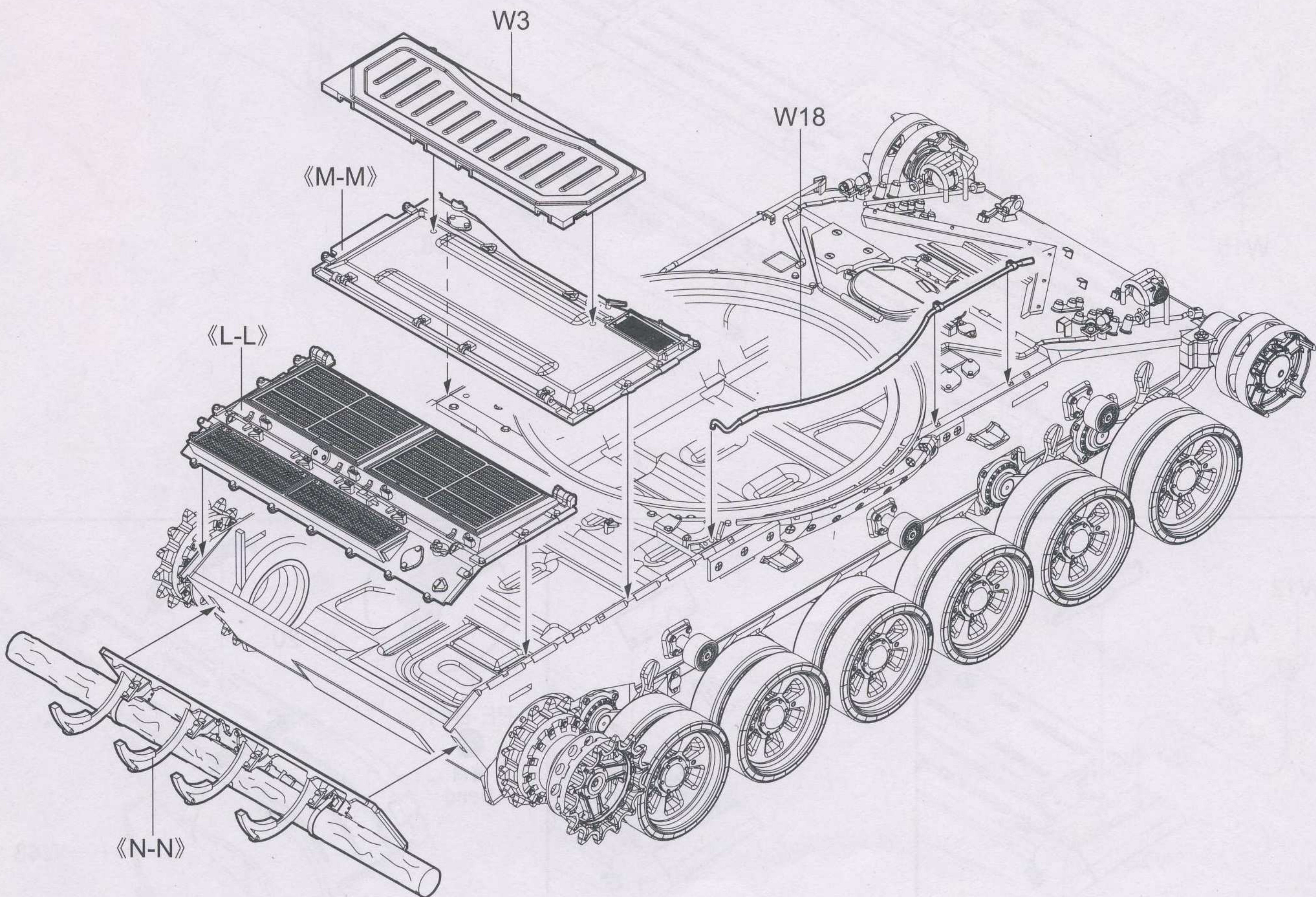


9





W14



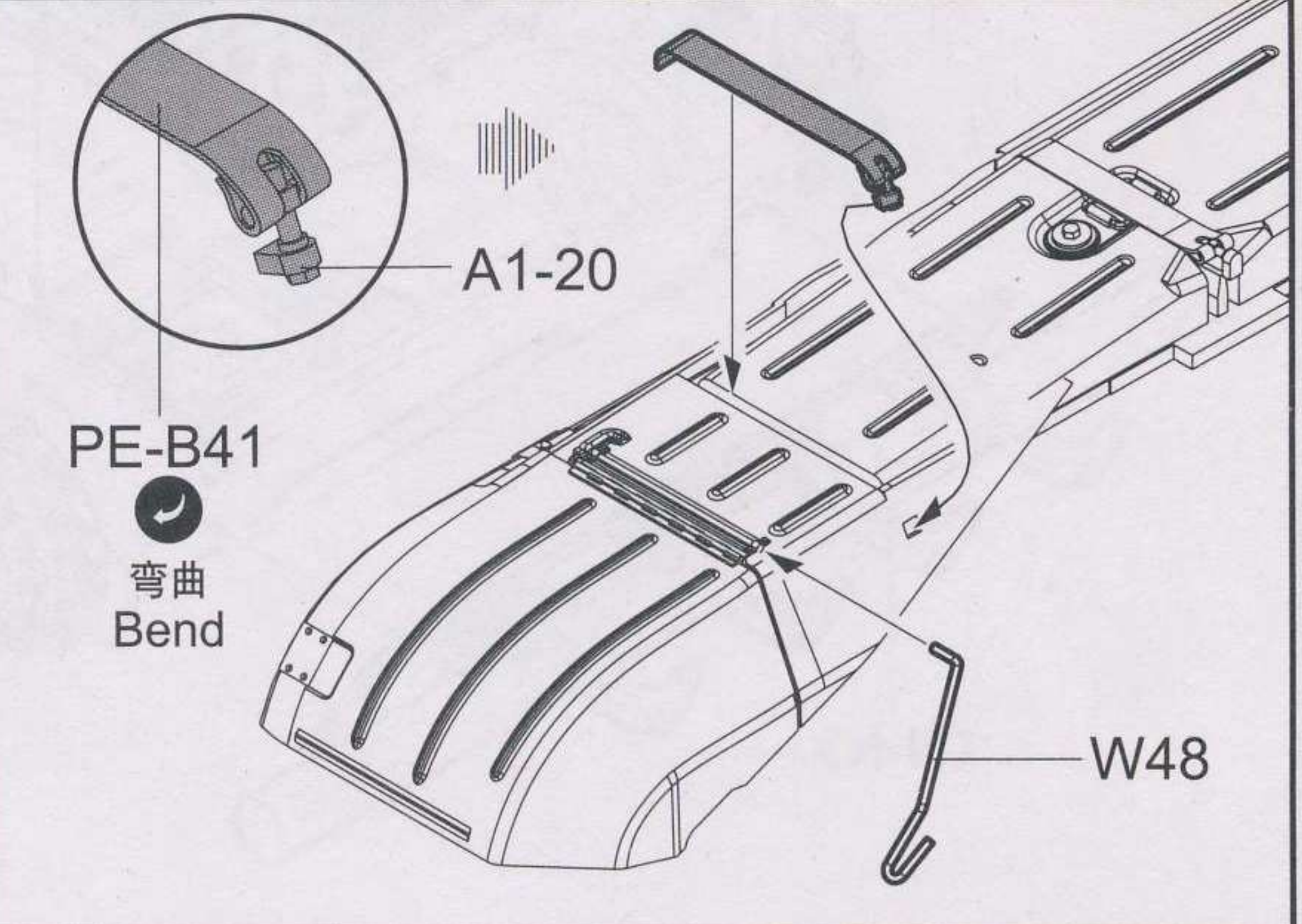
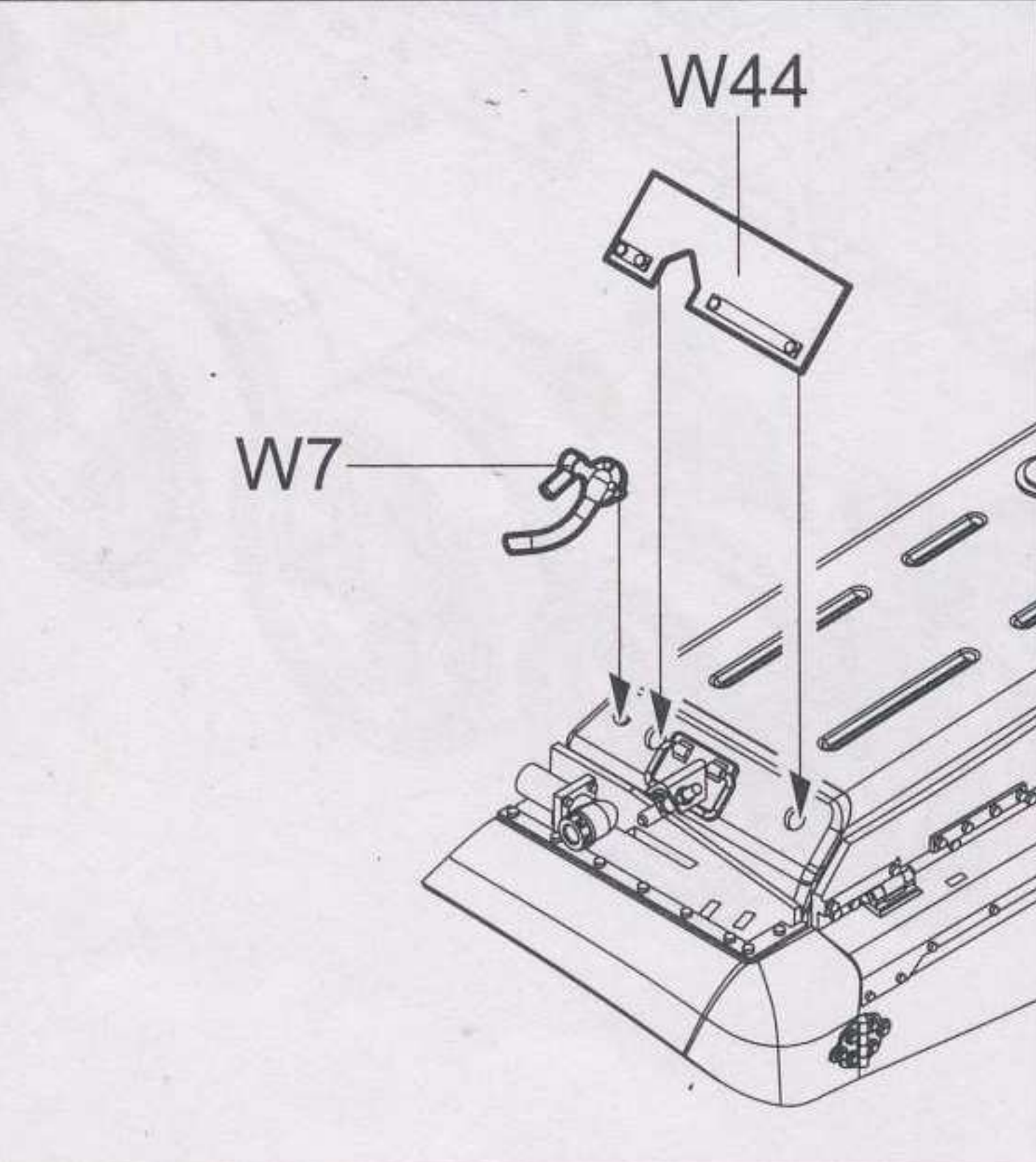
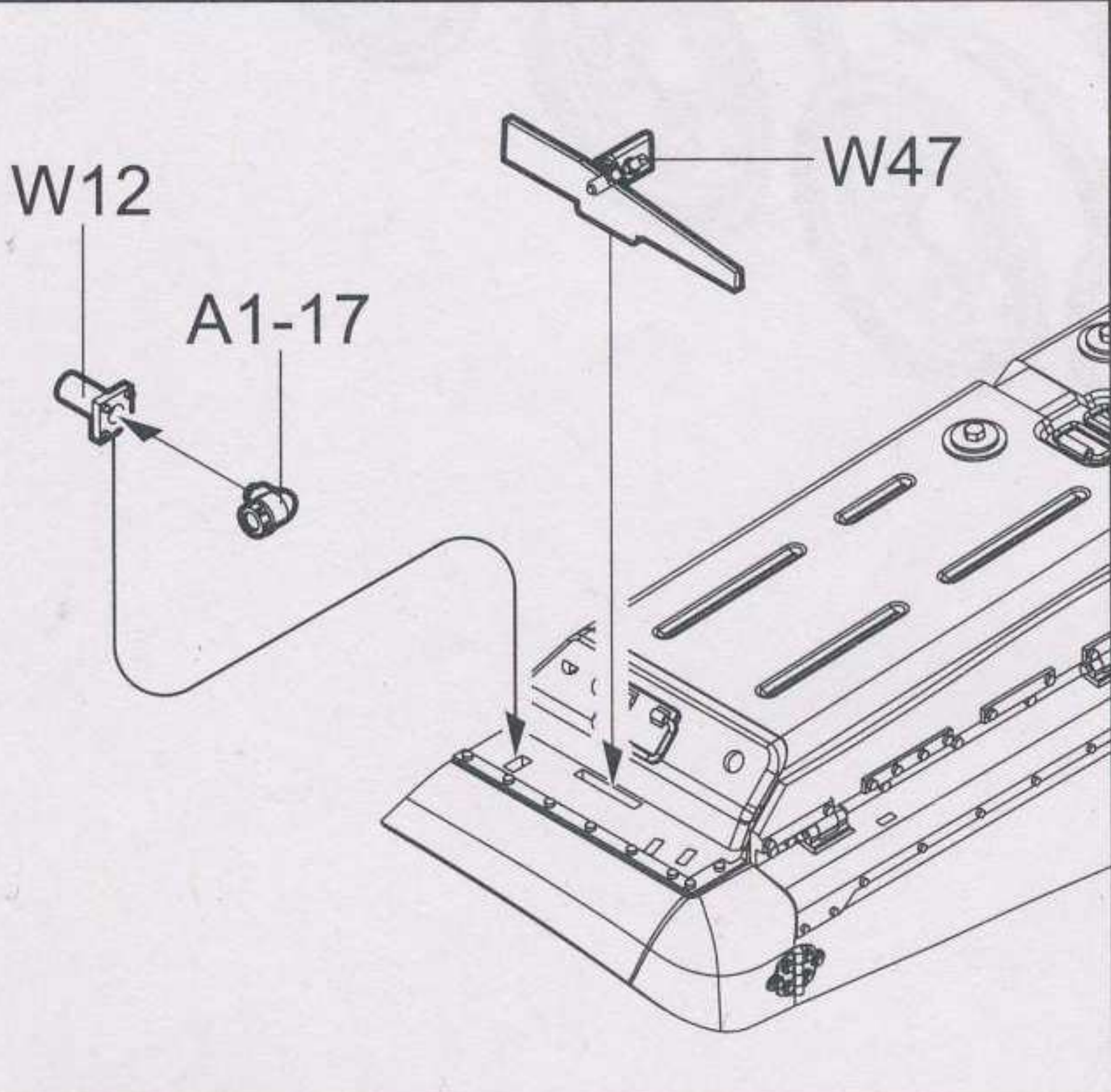
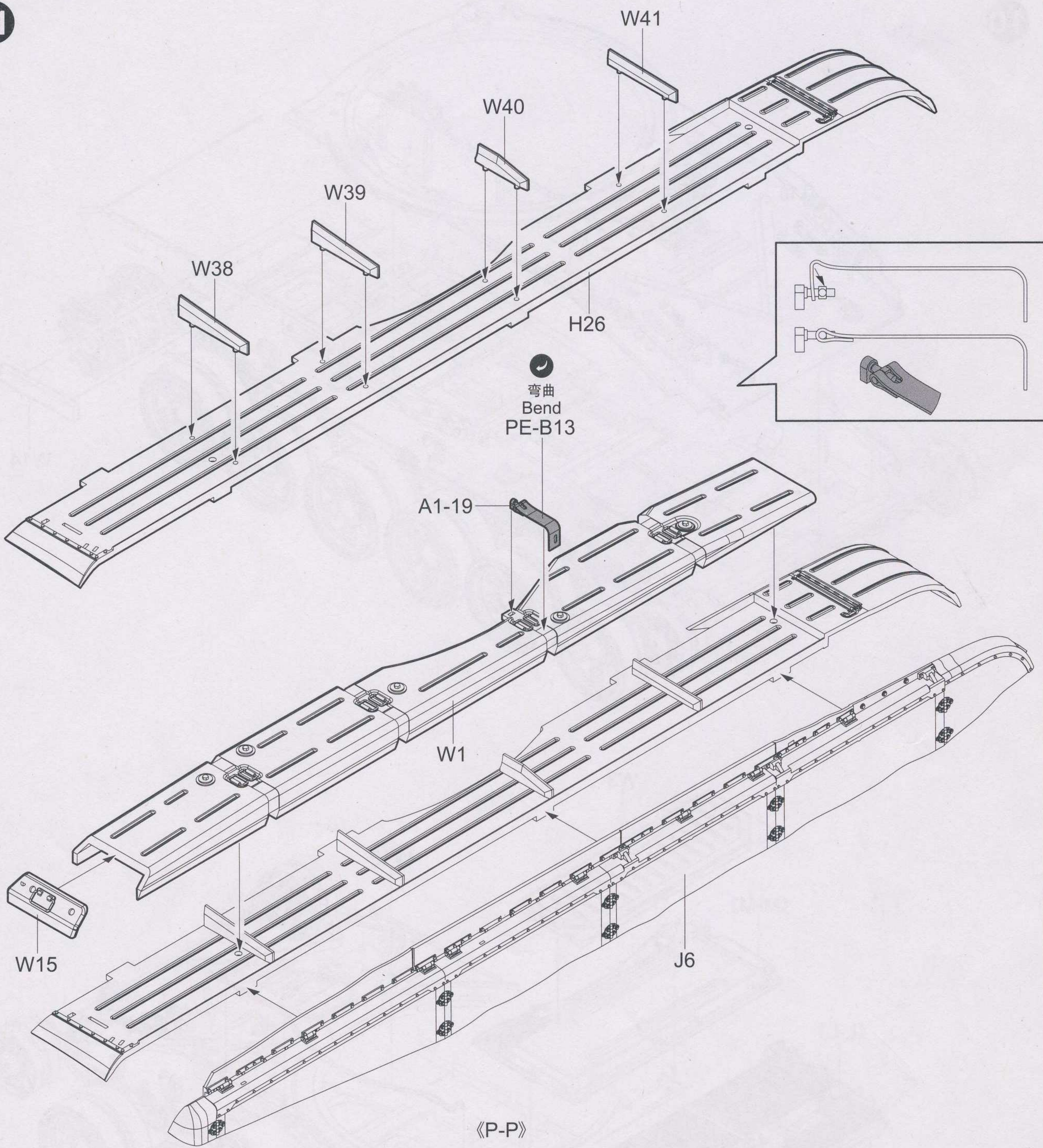
W3

W18

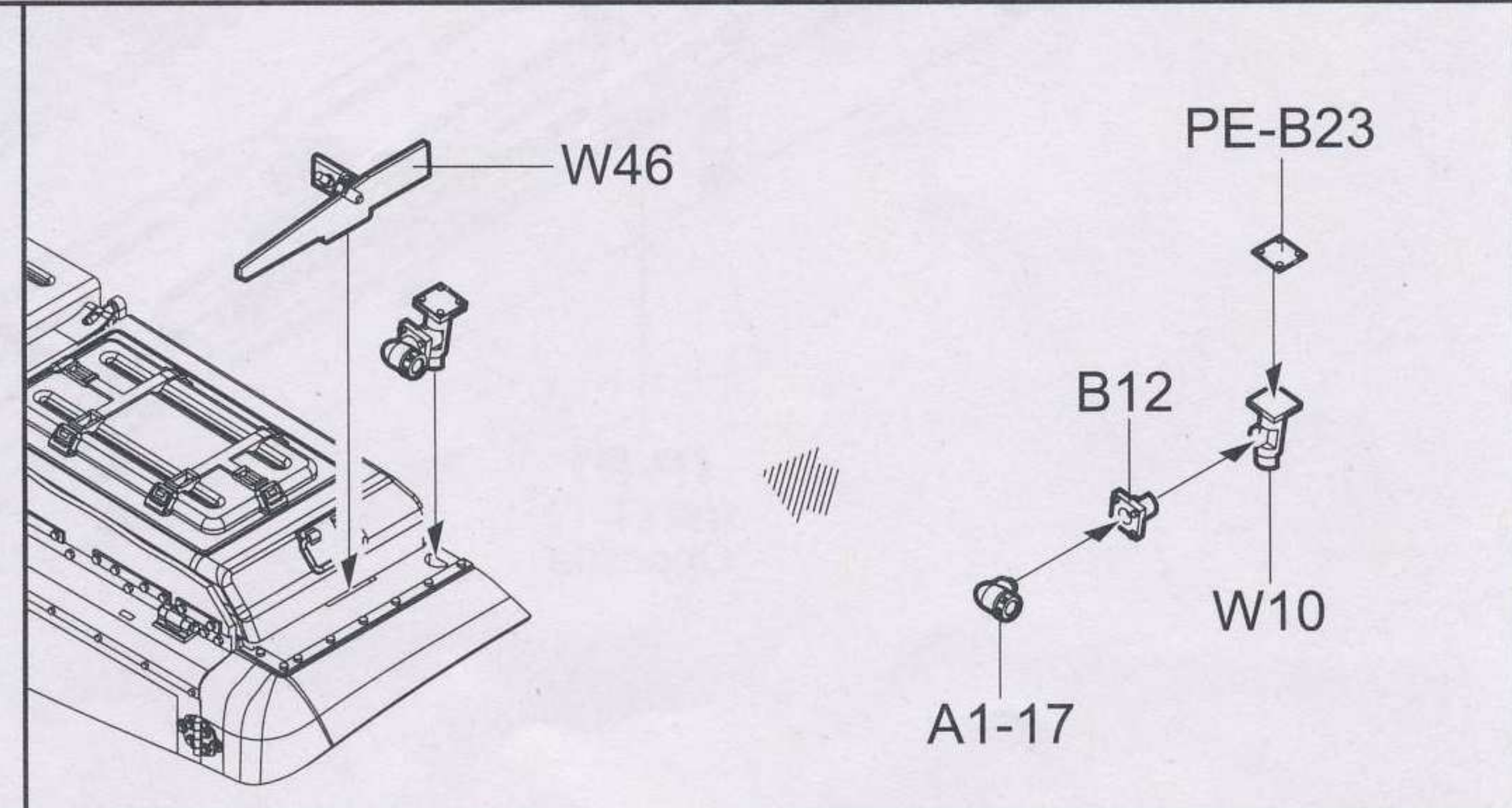
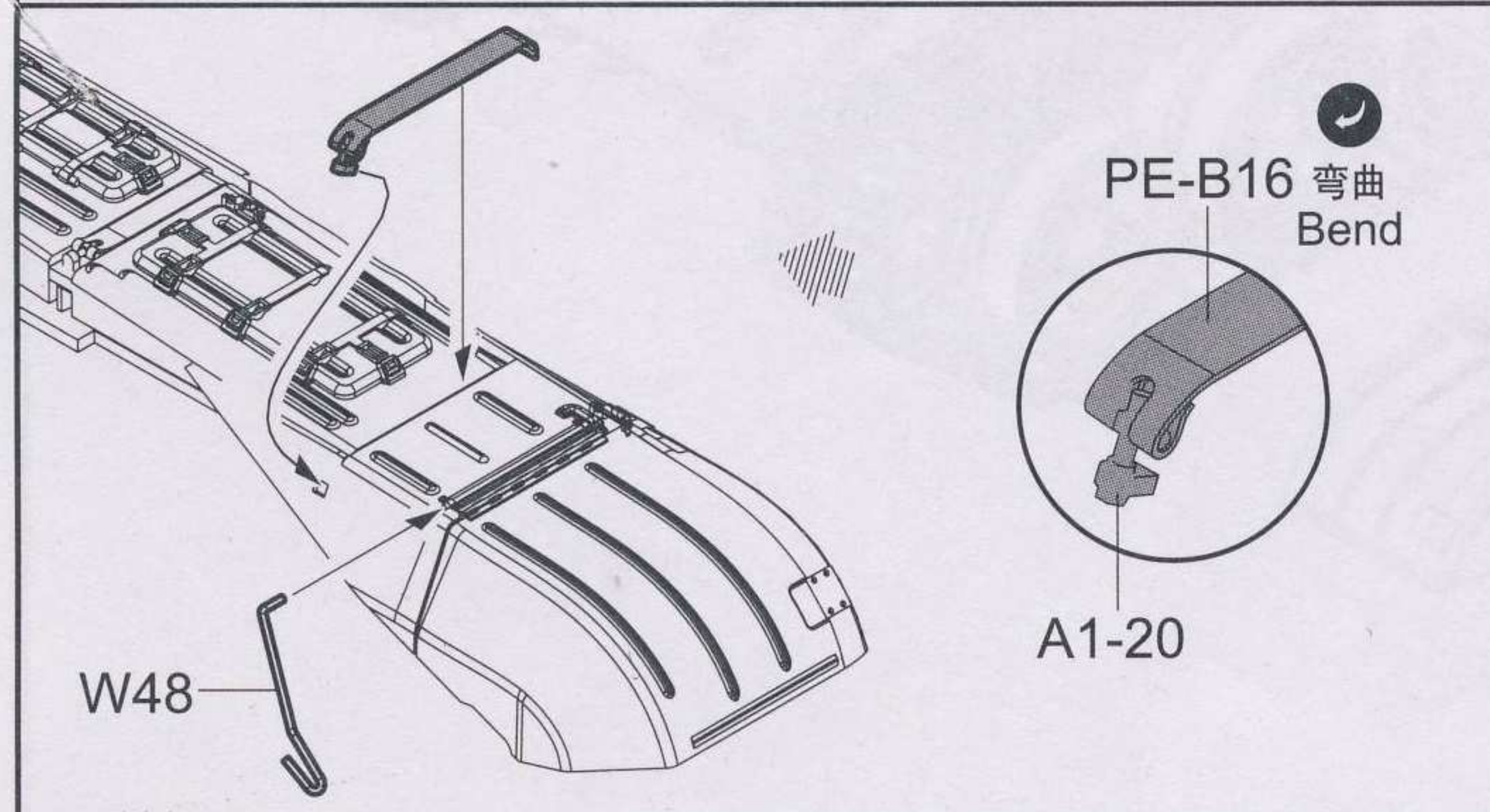
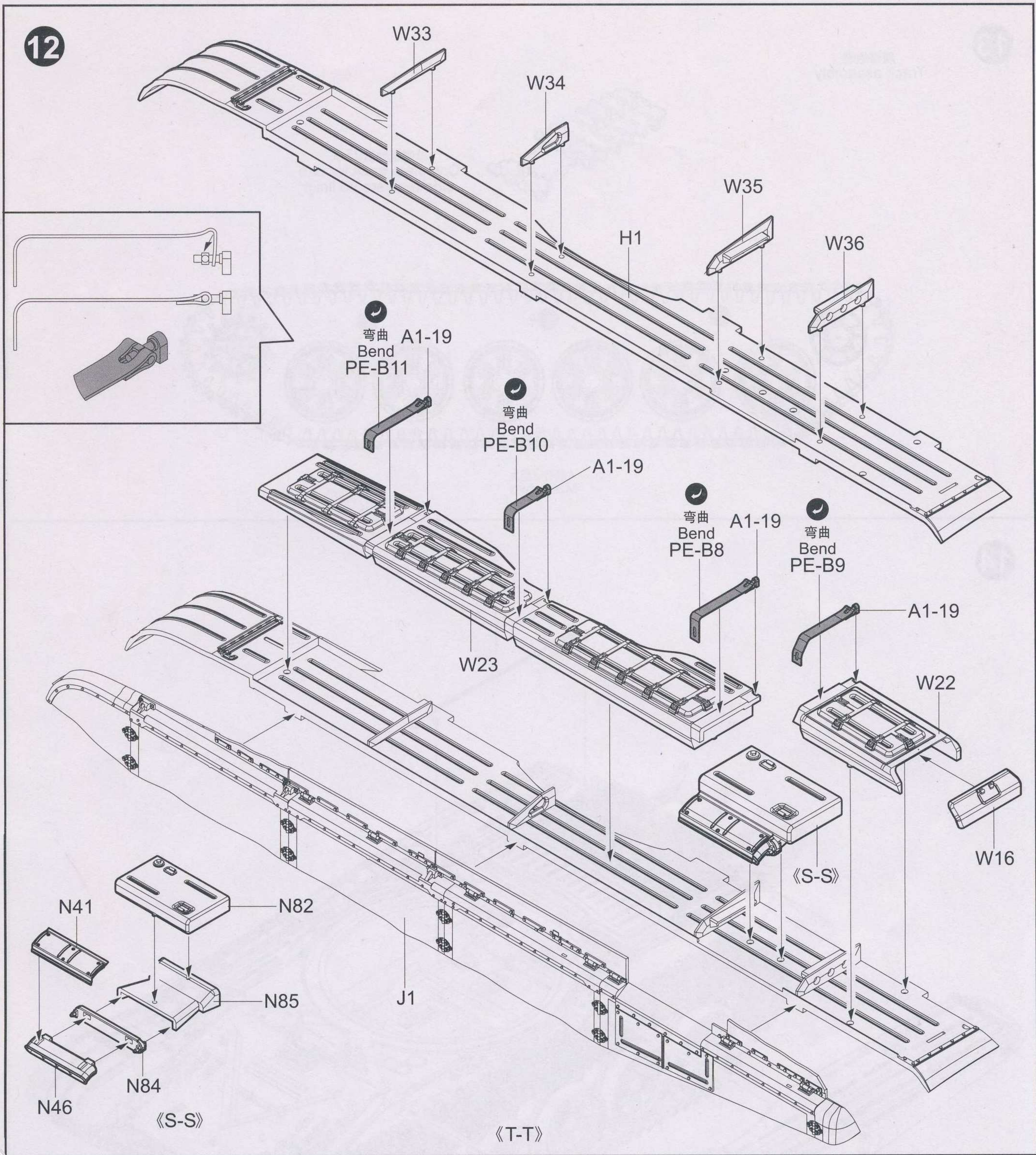
<M-M>

<L-L>

<N-N>

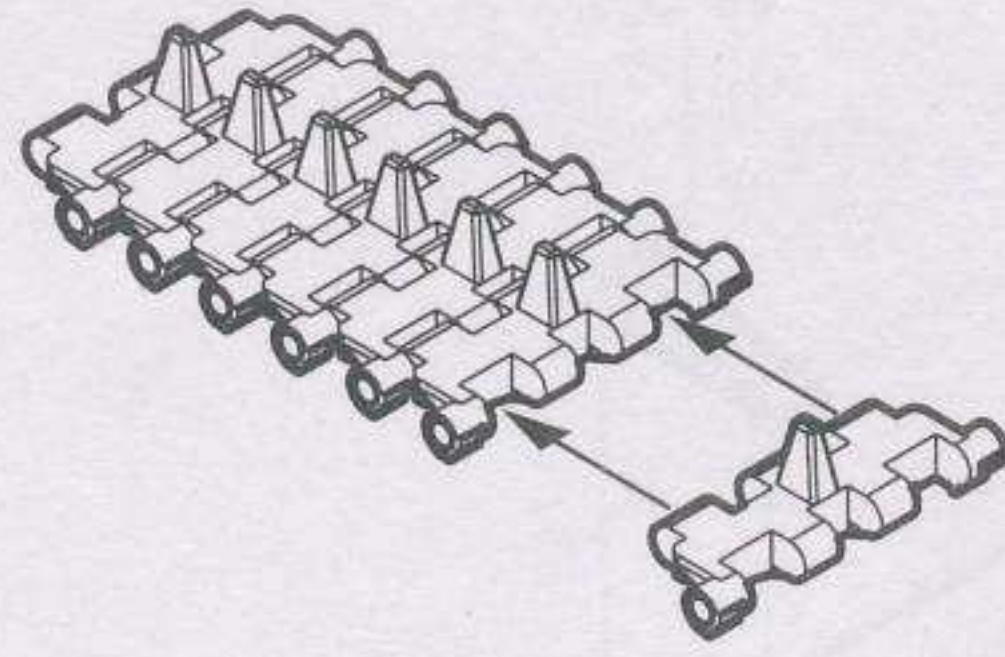


12

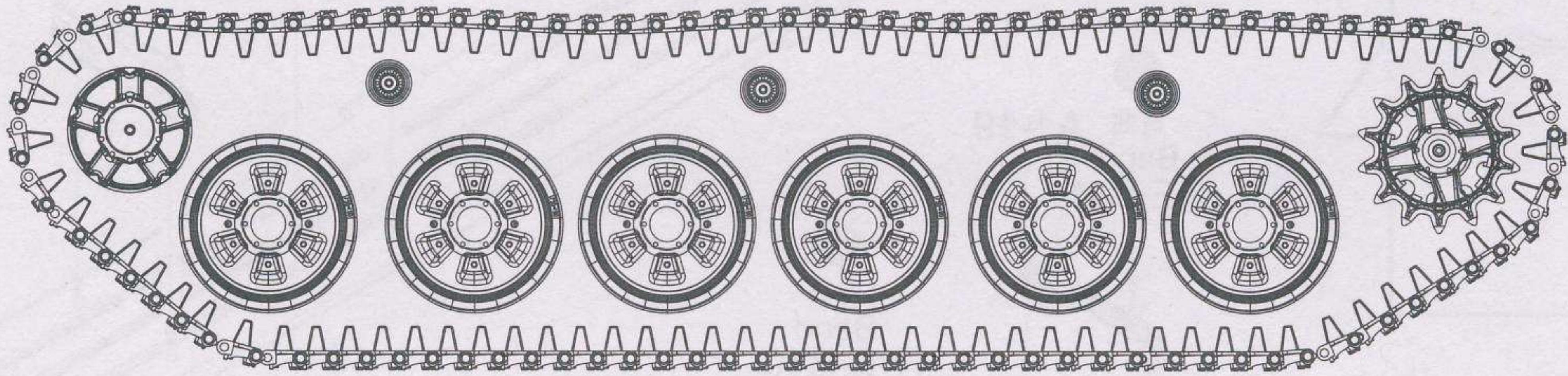


13

履带组装
Track assembly



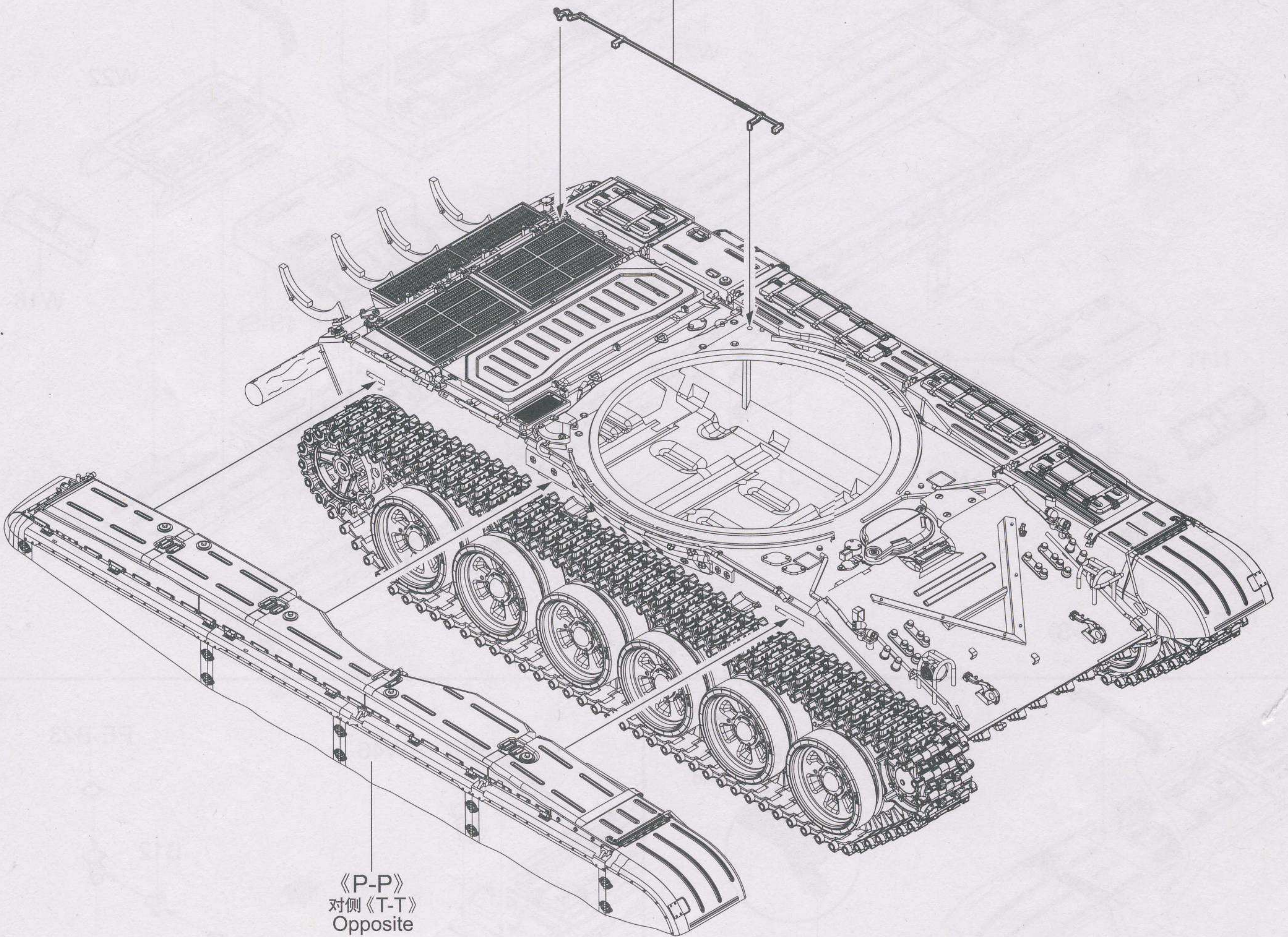
单侧履约需95节
Complete track for one
side require 95 links



《制作2组》
Make two

14

W17

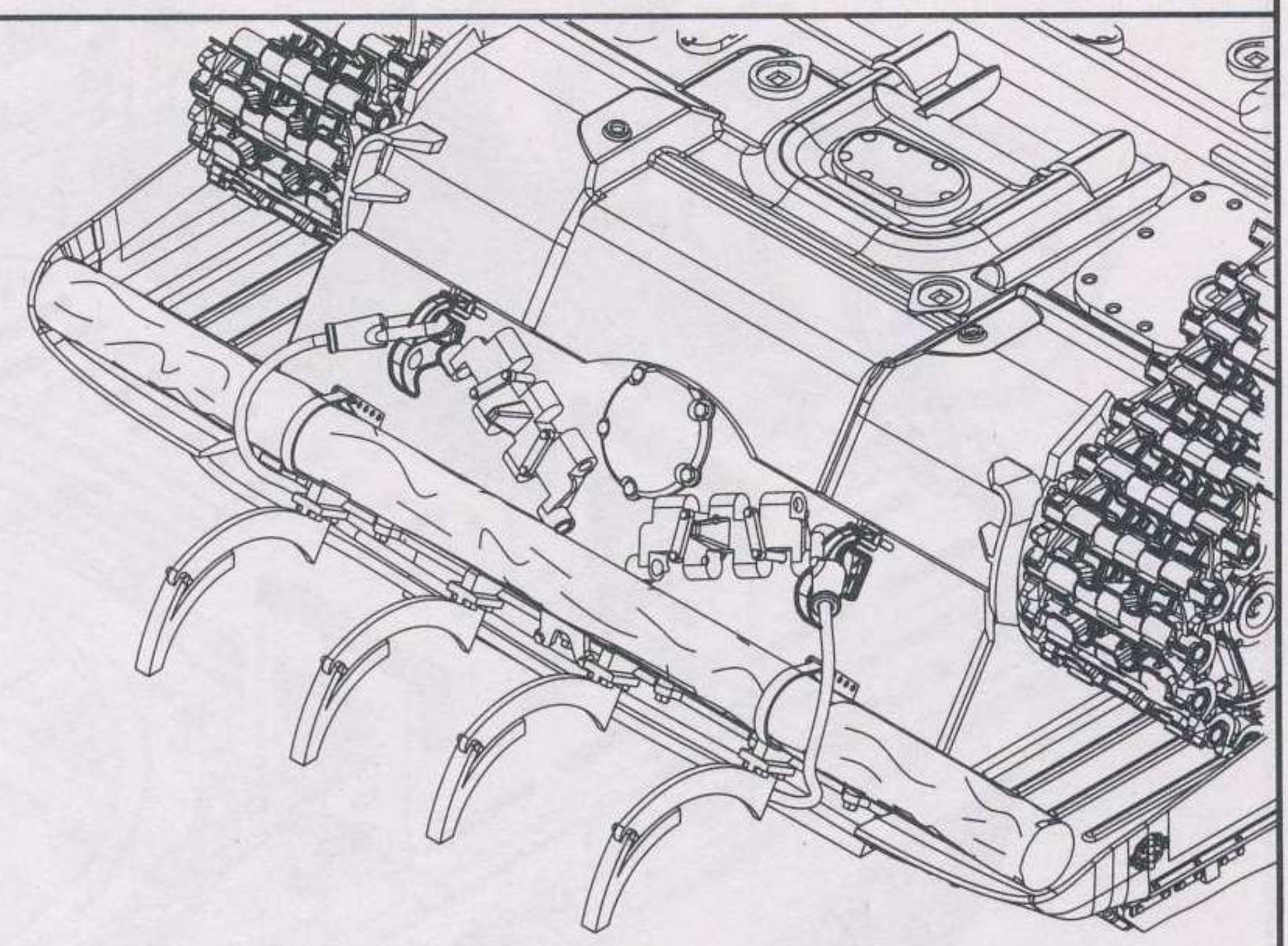
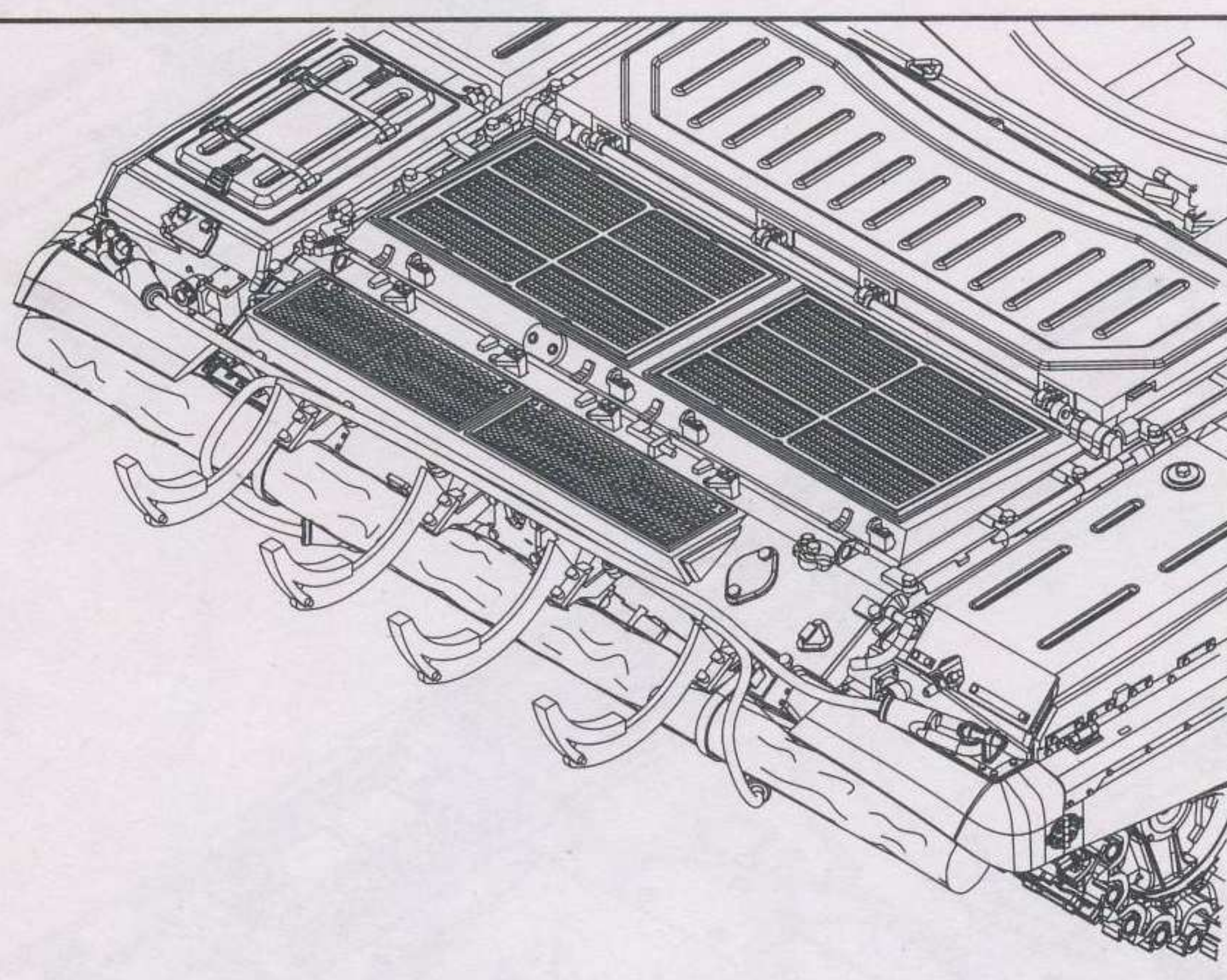
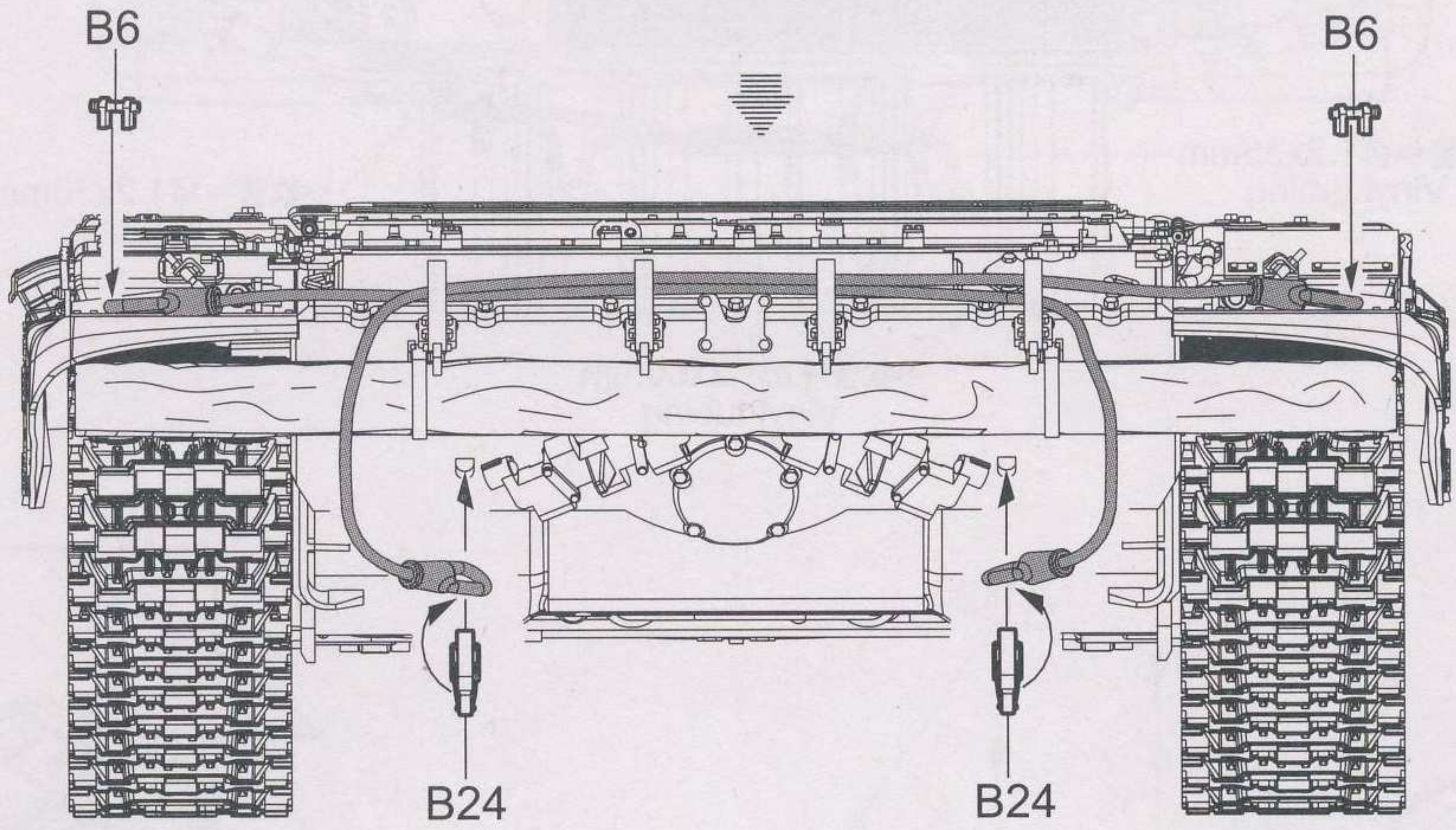


《P-P》
对侧《T-T》
Opposite

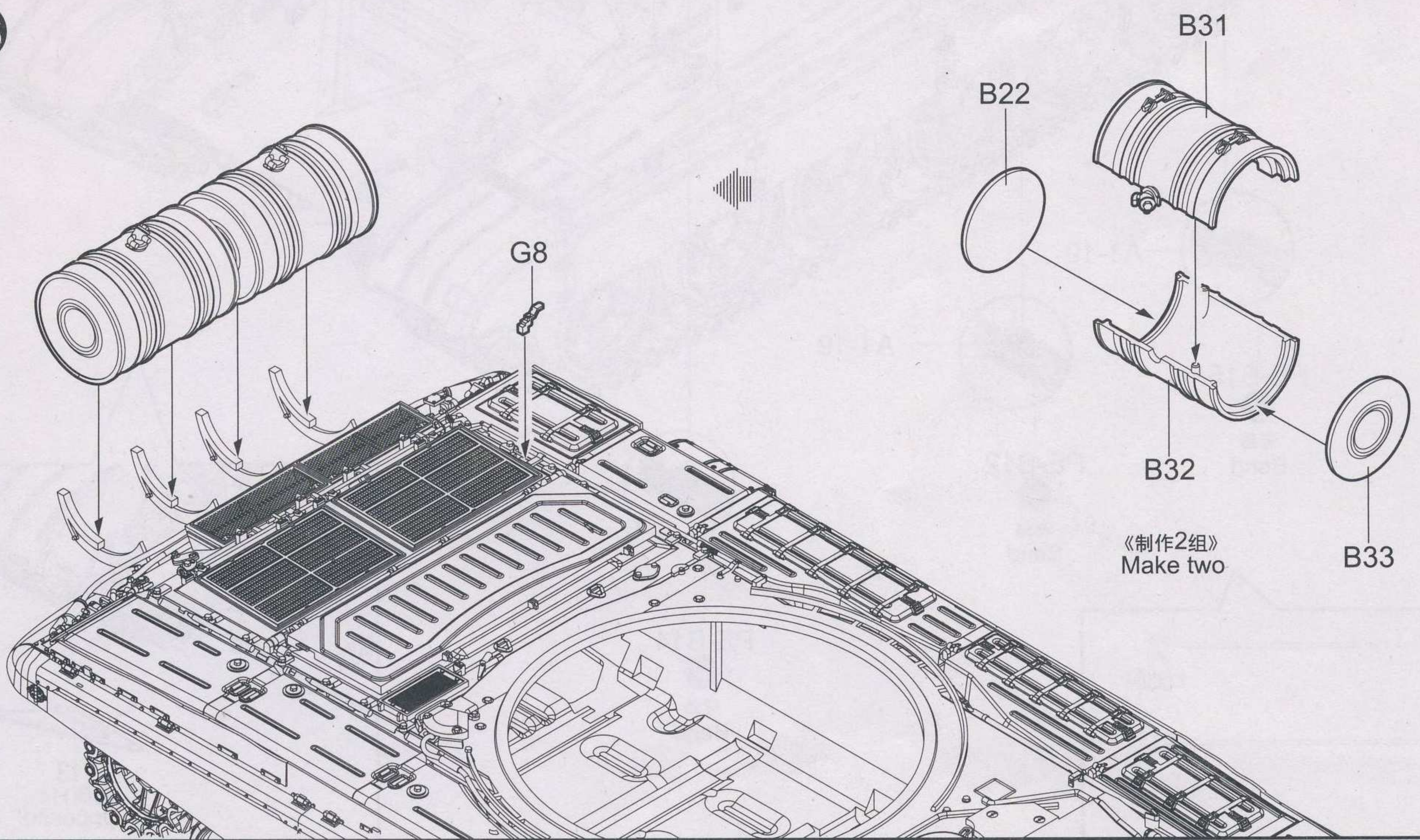
15



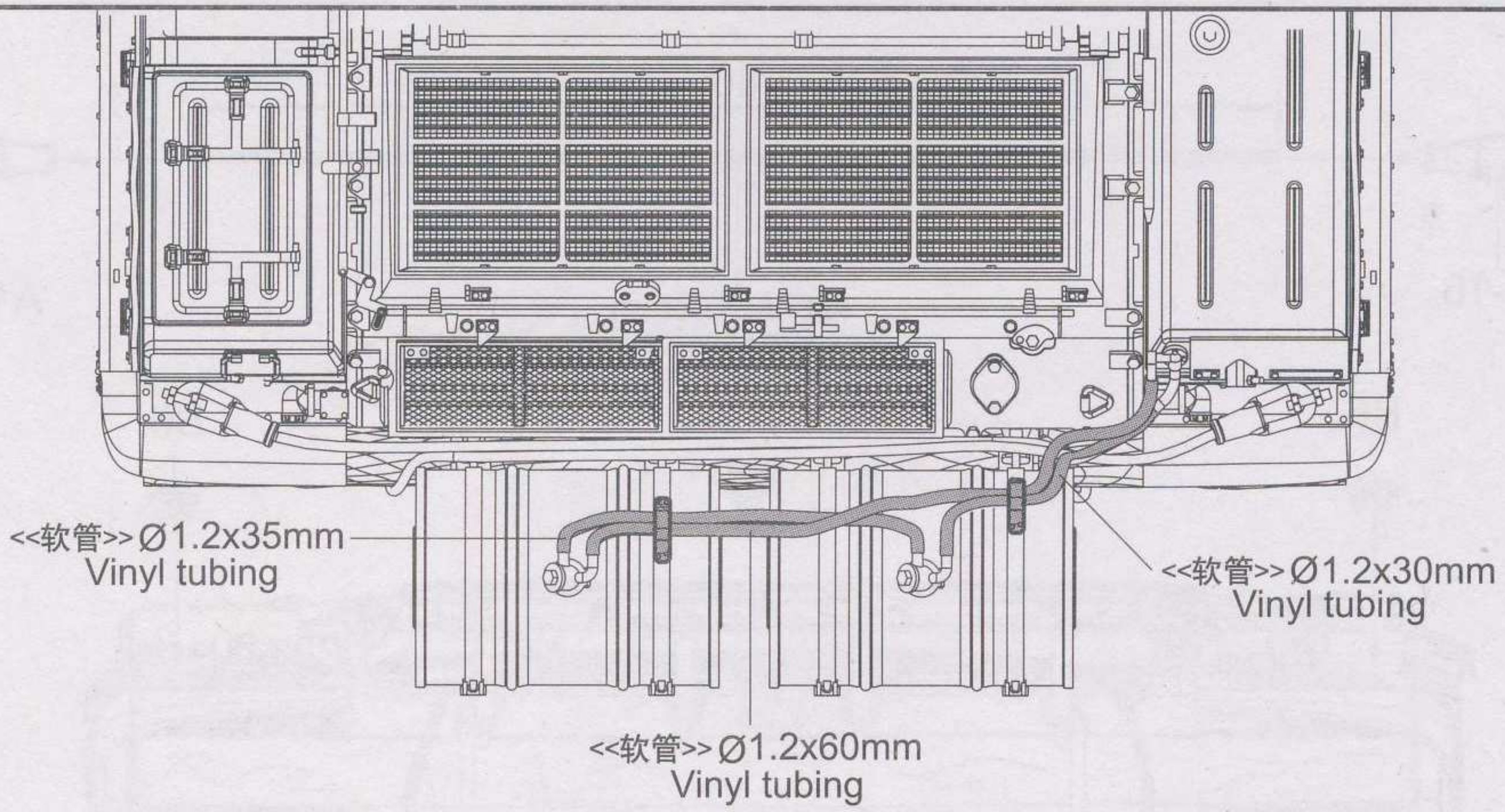
《制作2组》
Make two



16

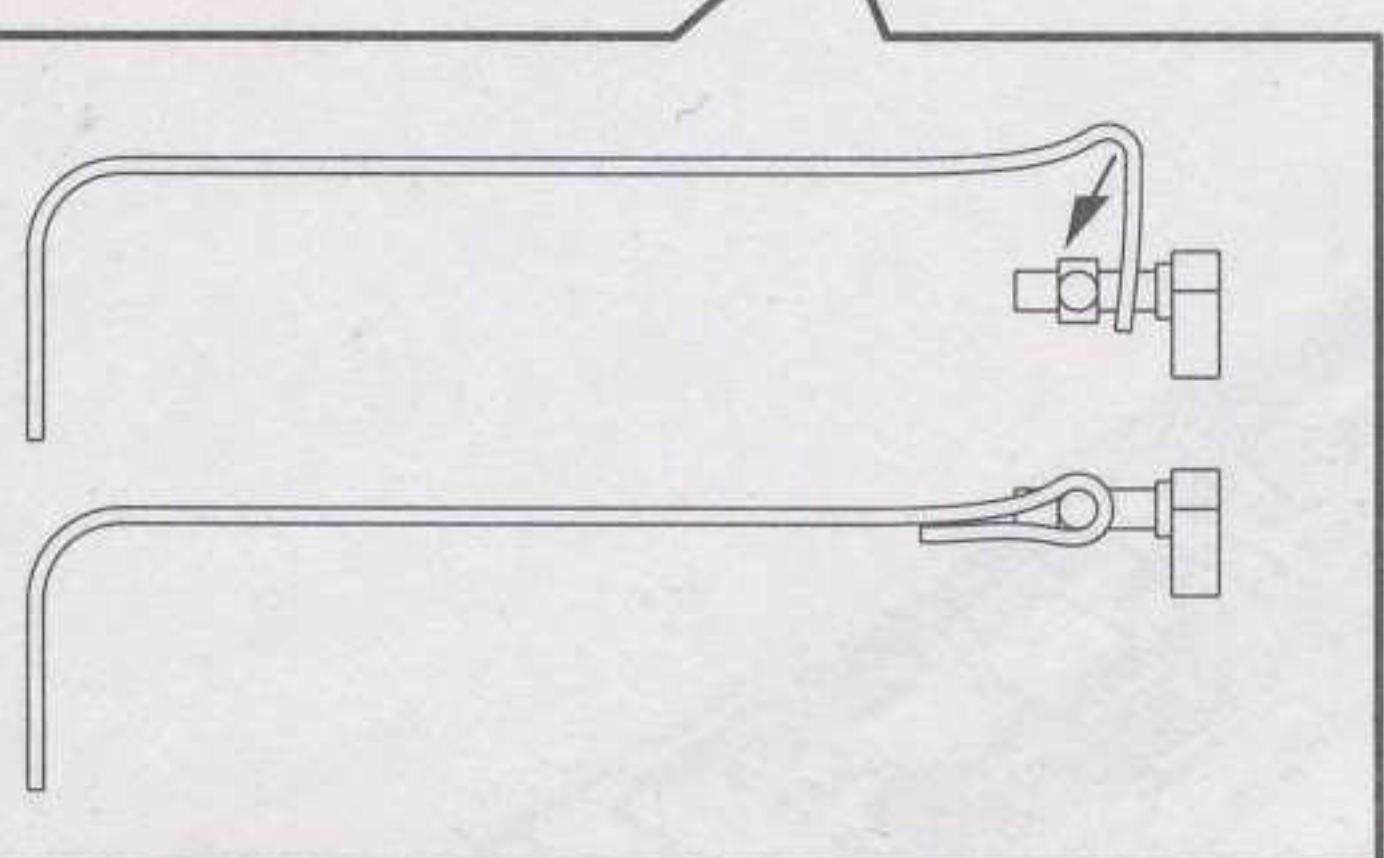
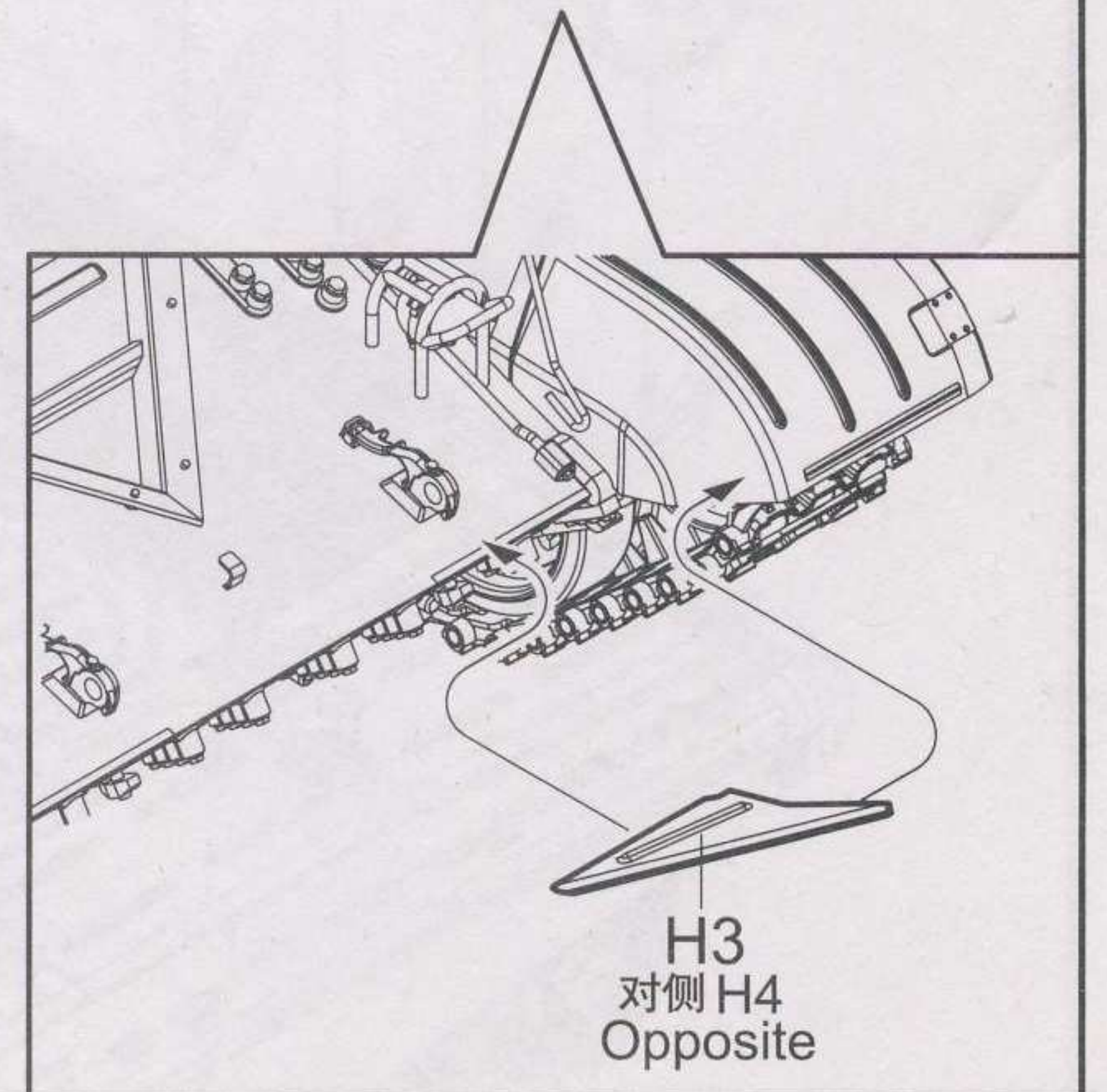
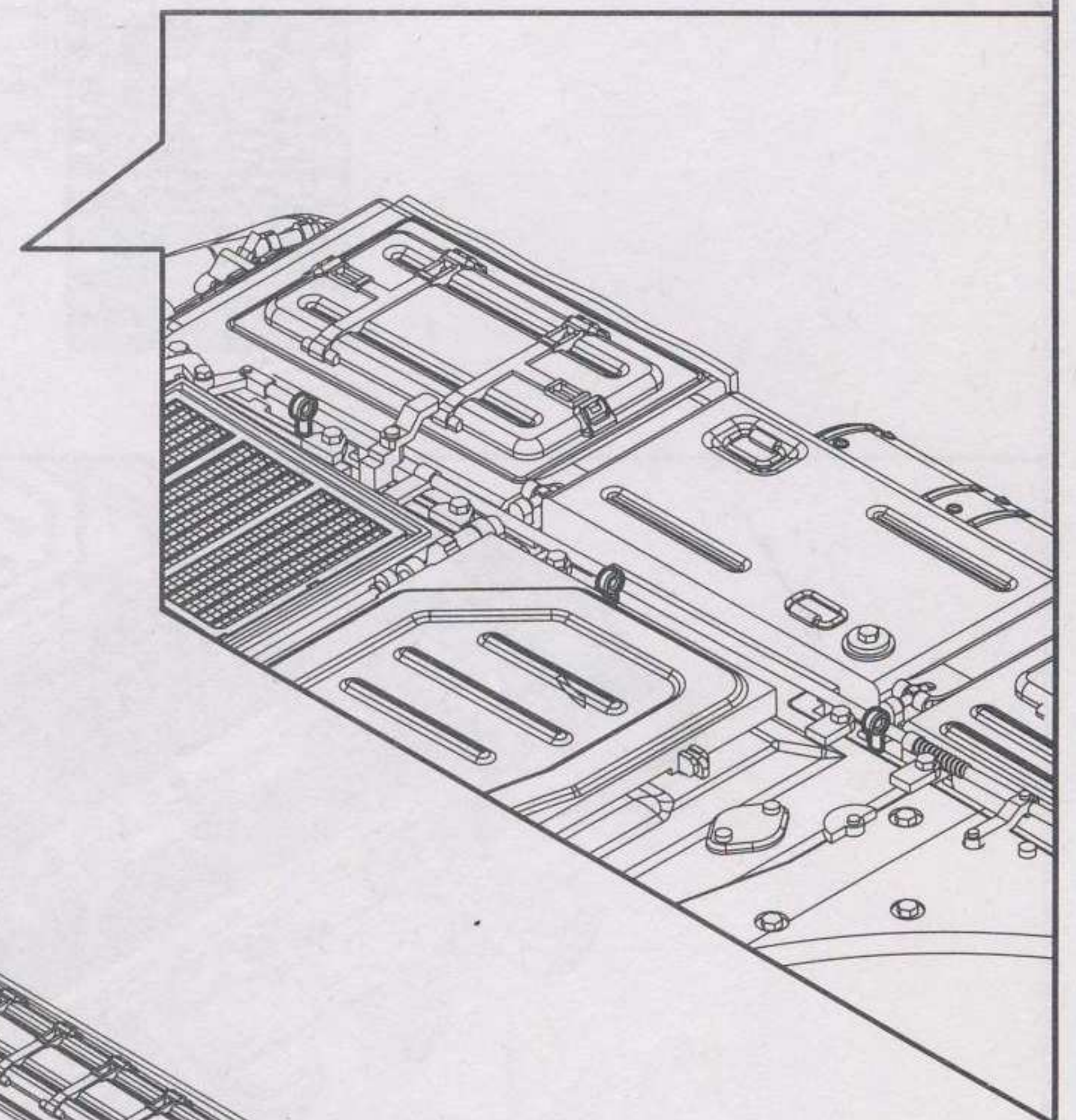
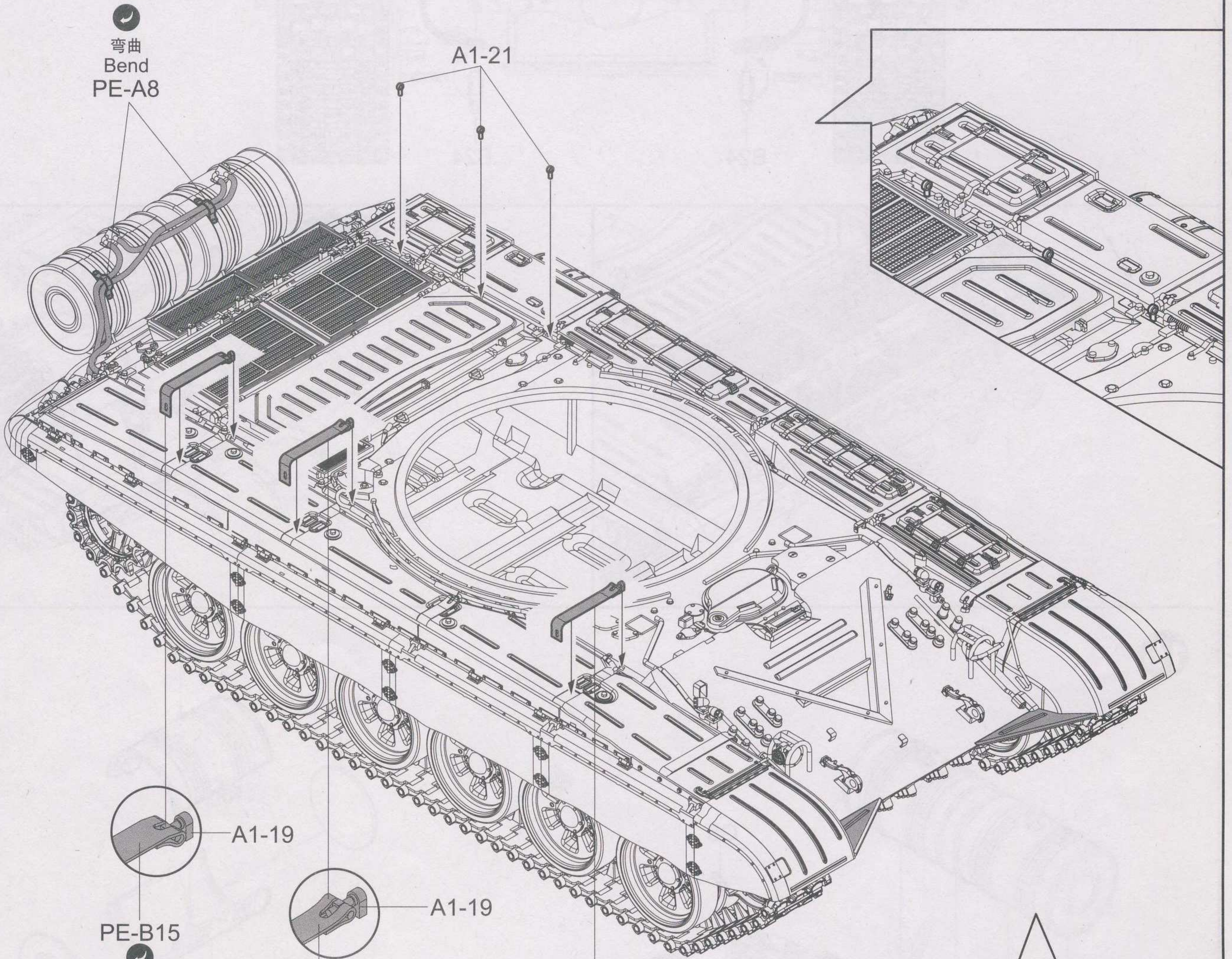


《制作2组》
Make two

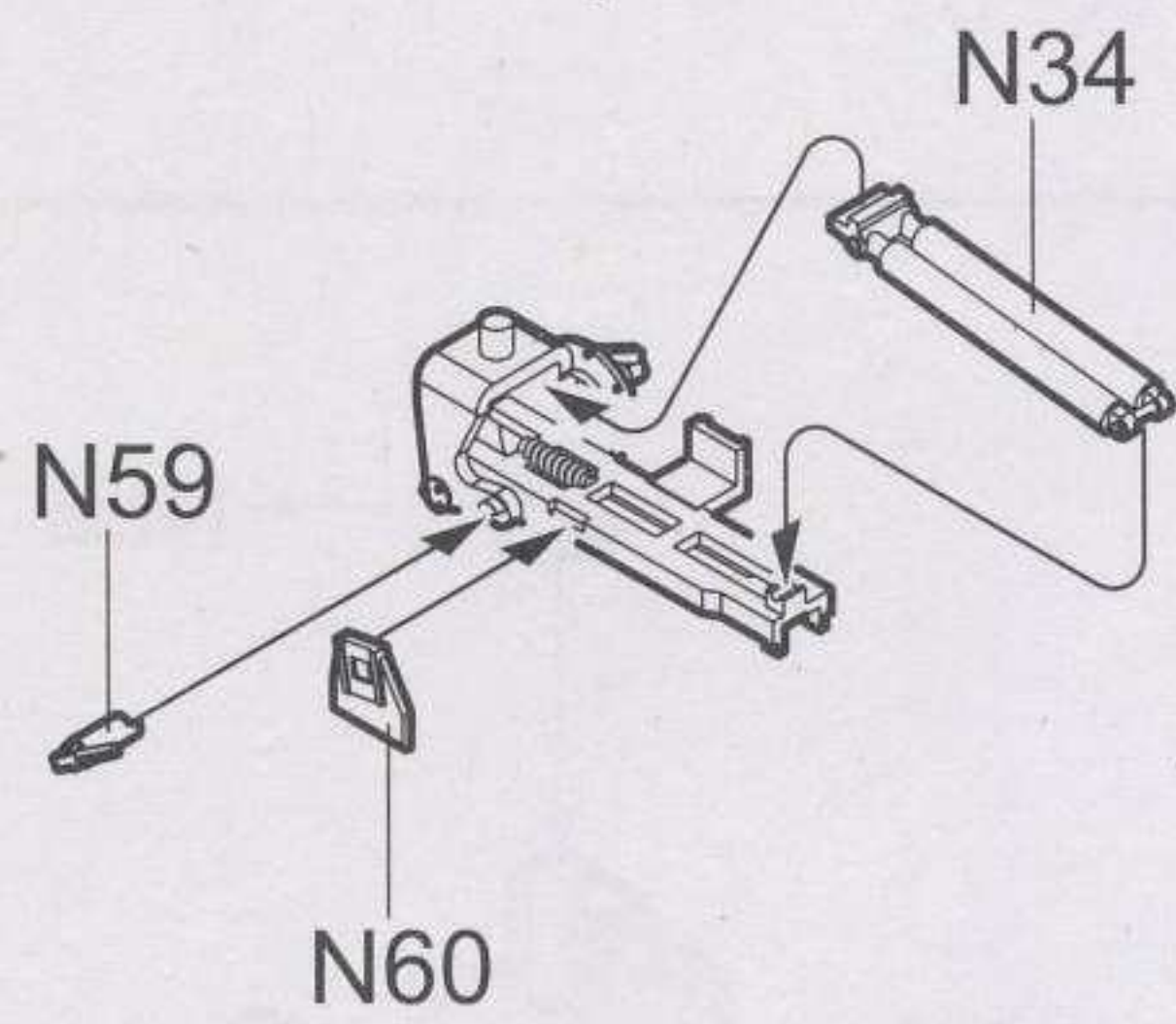
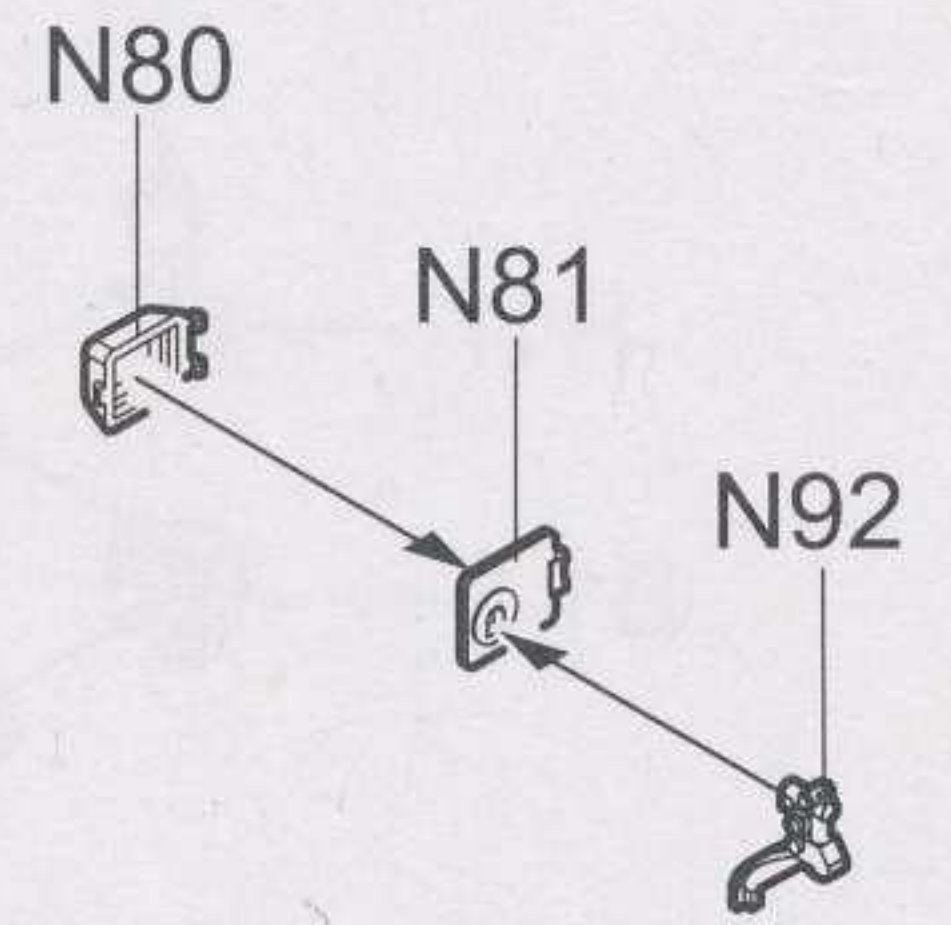
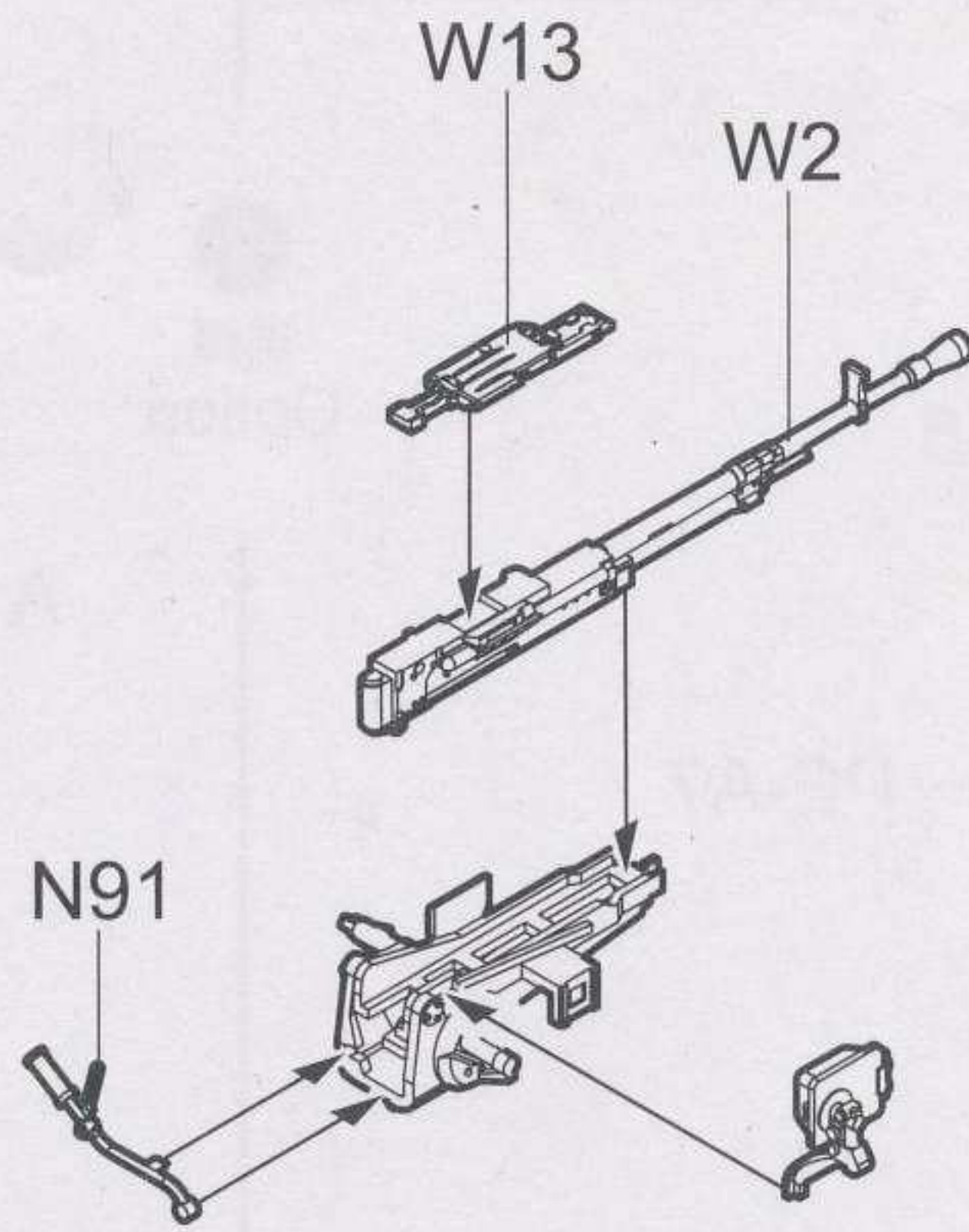
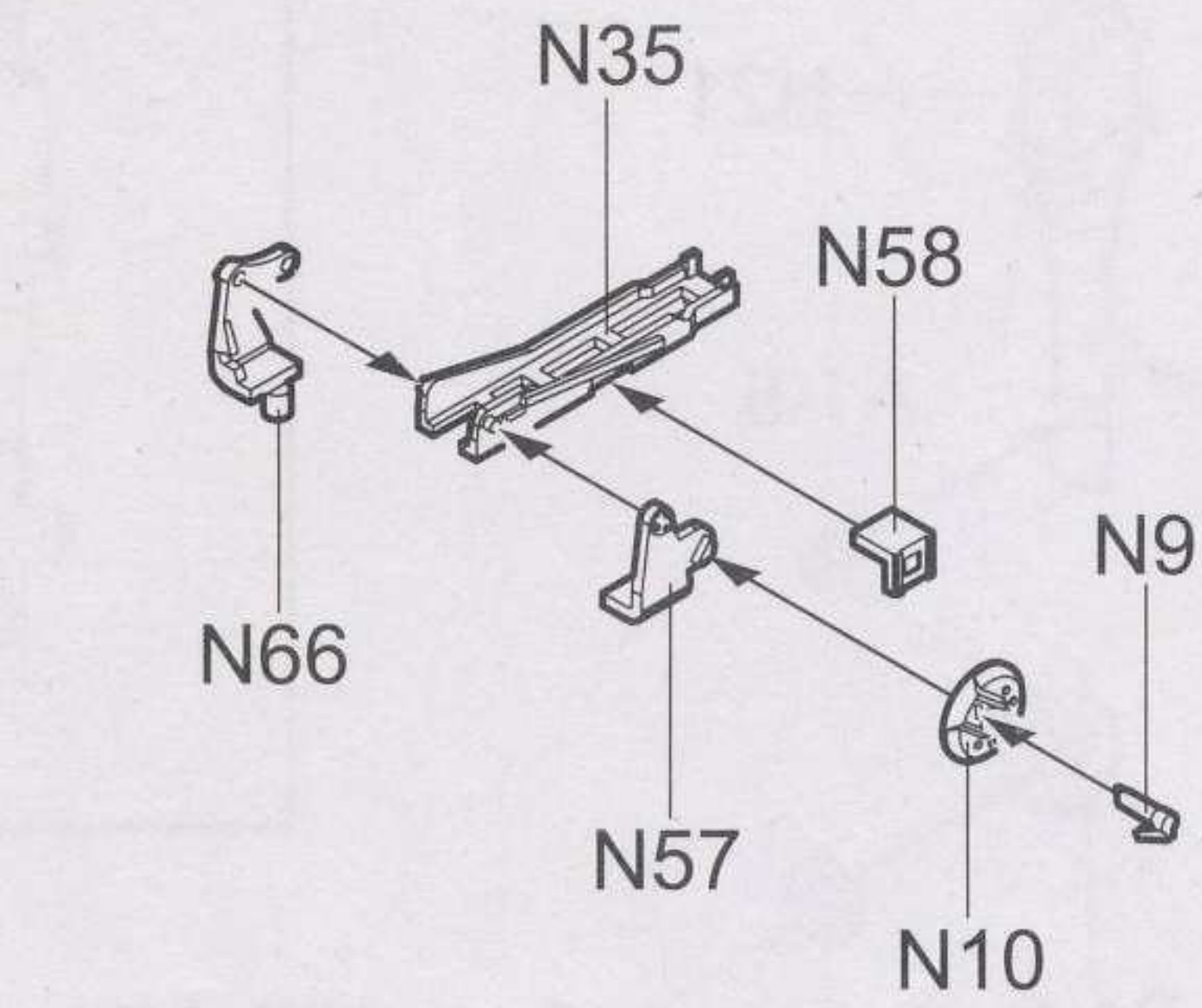


弯曲
Bend
PE-A8

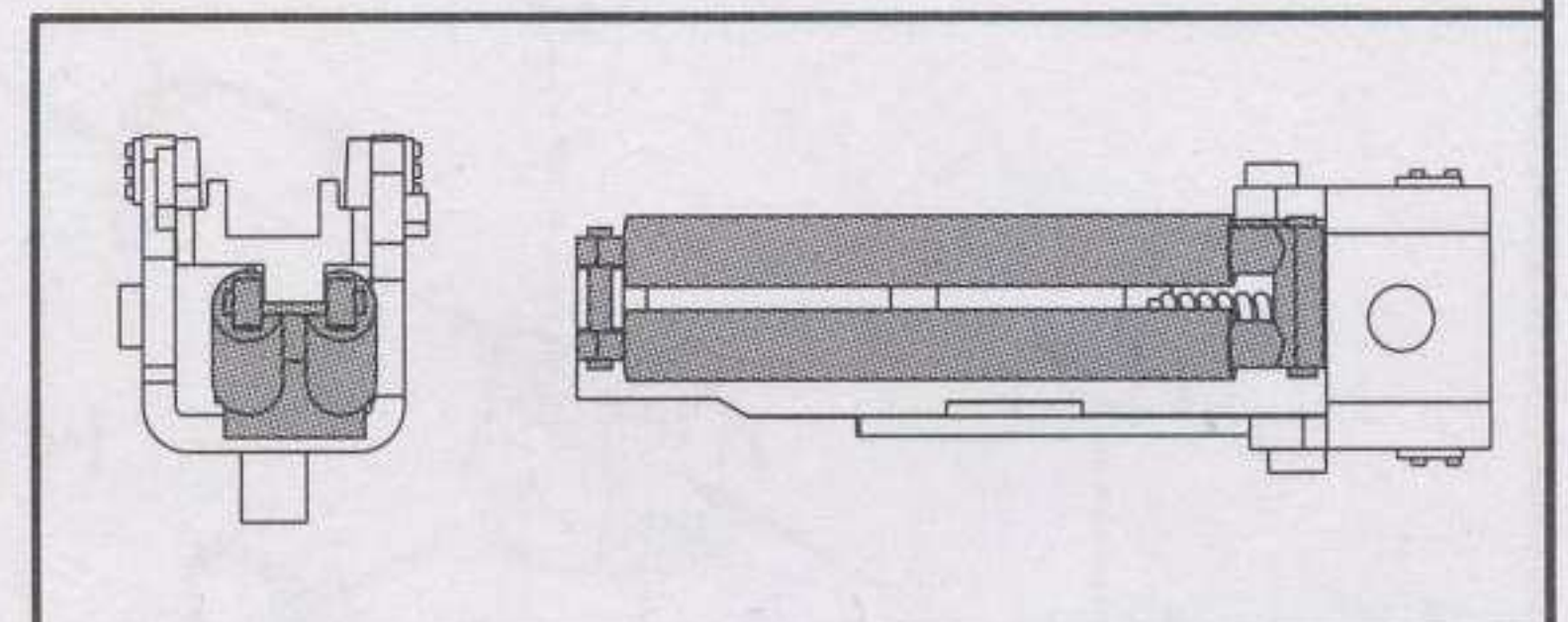
A1-21



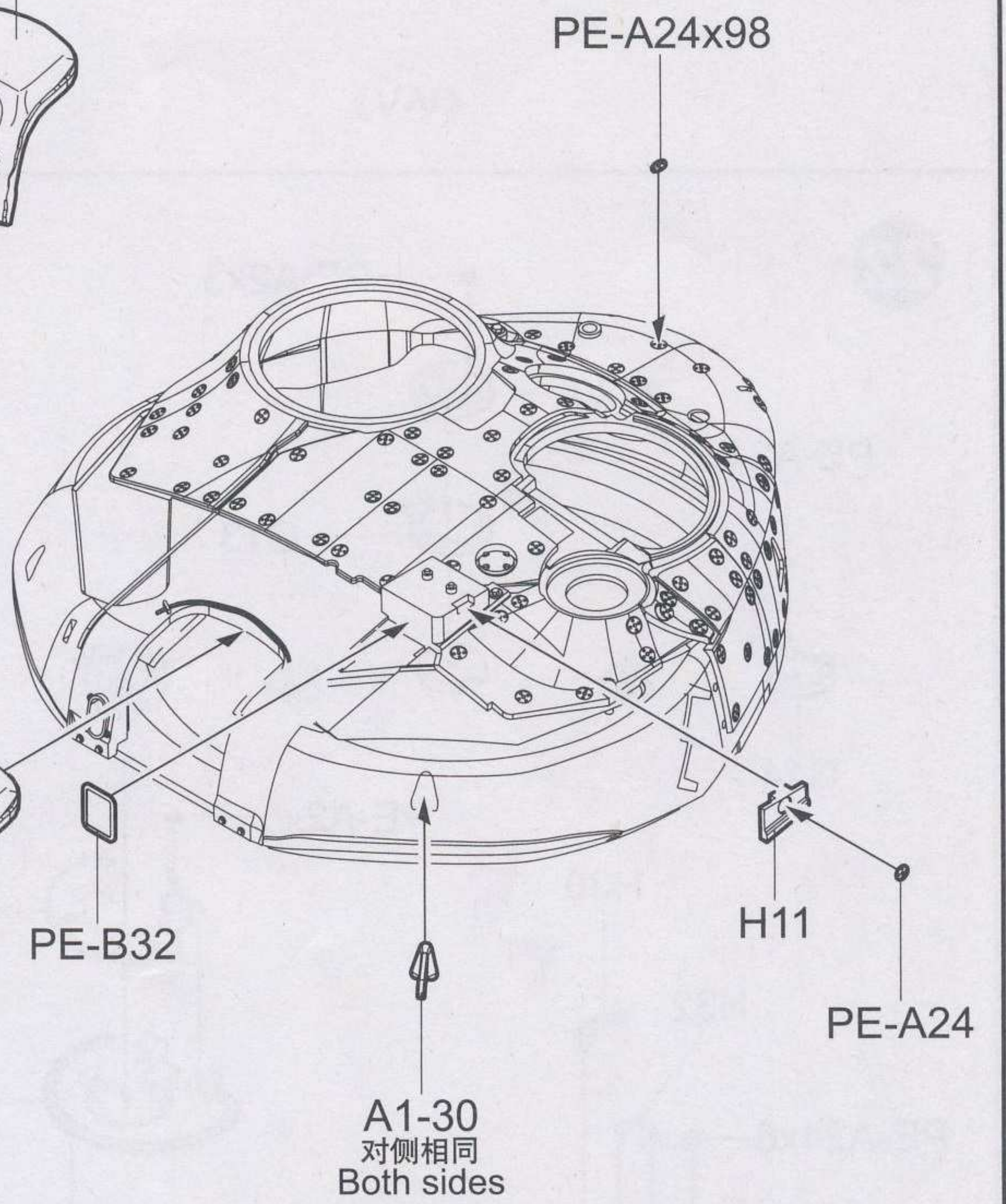
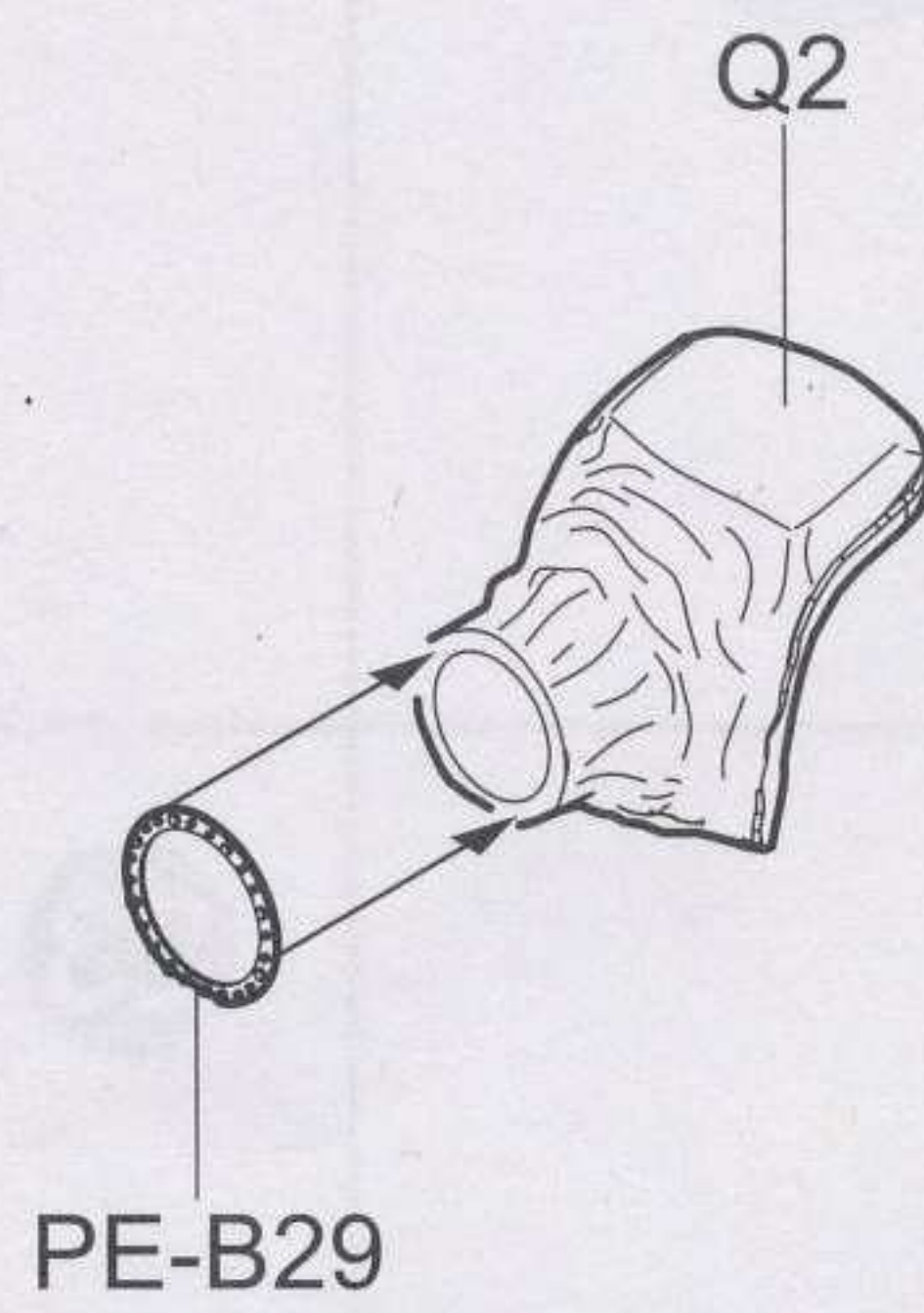
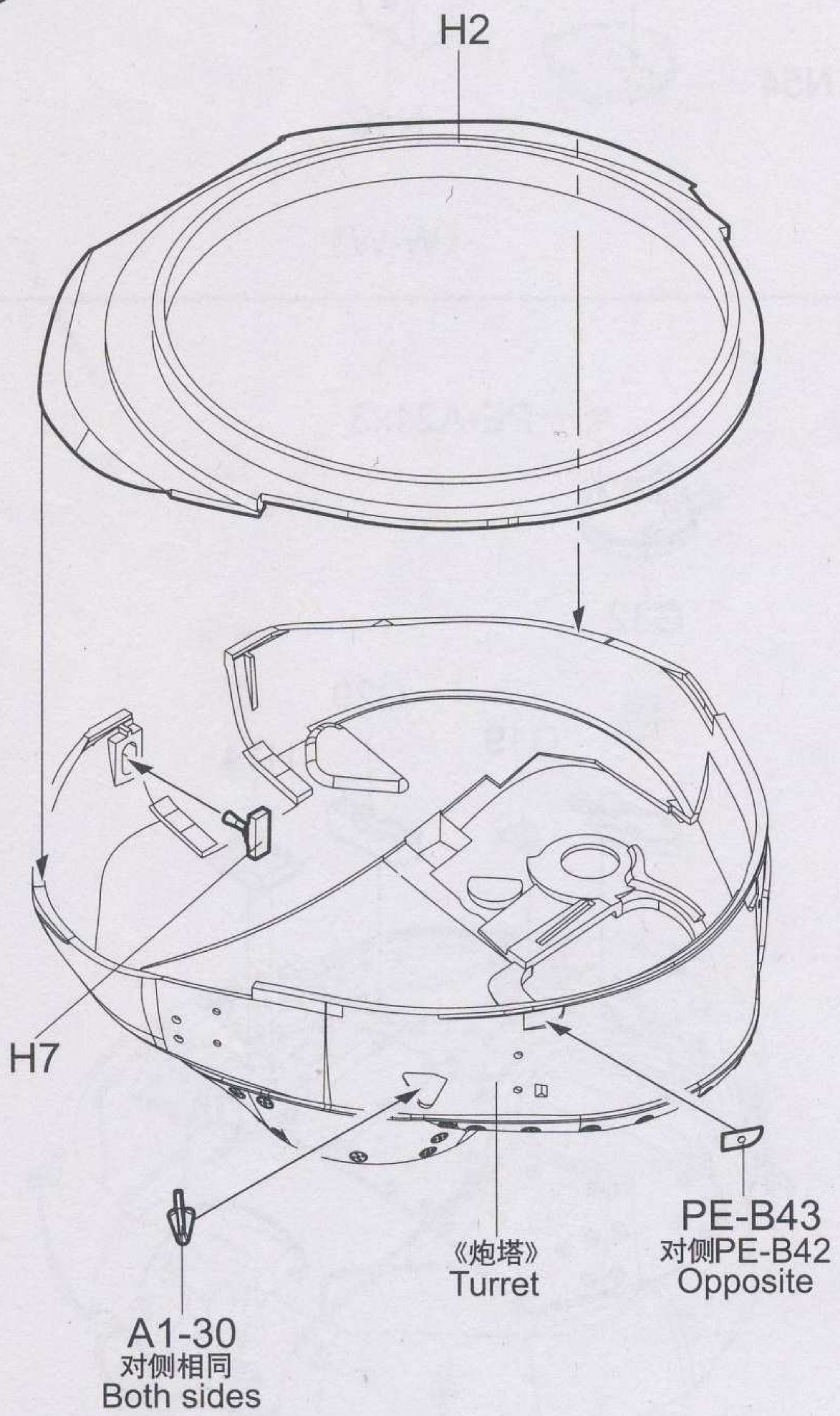
18



《A-B》

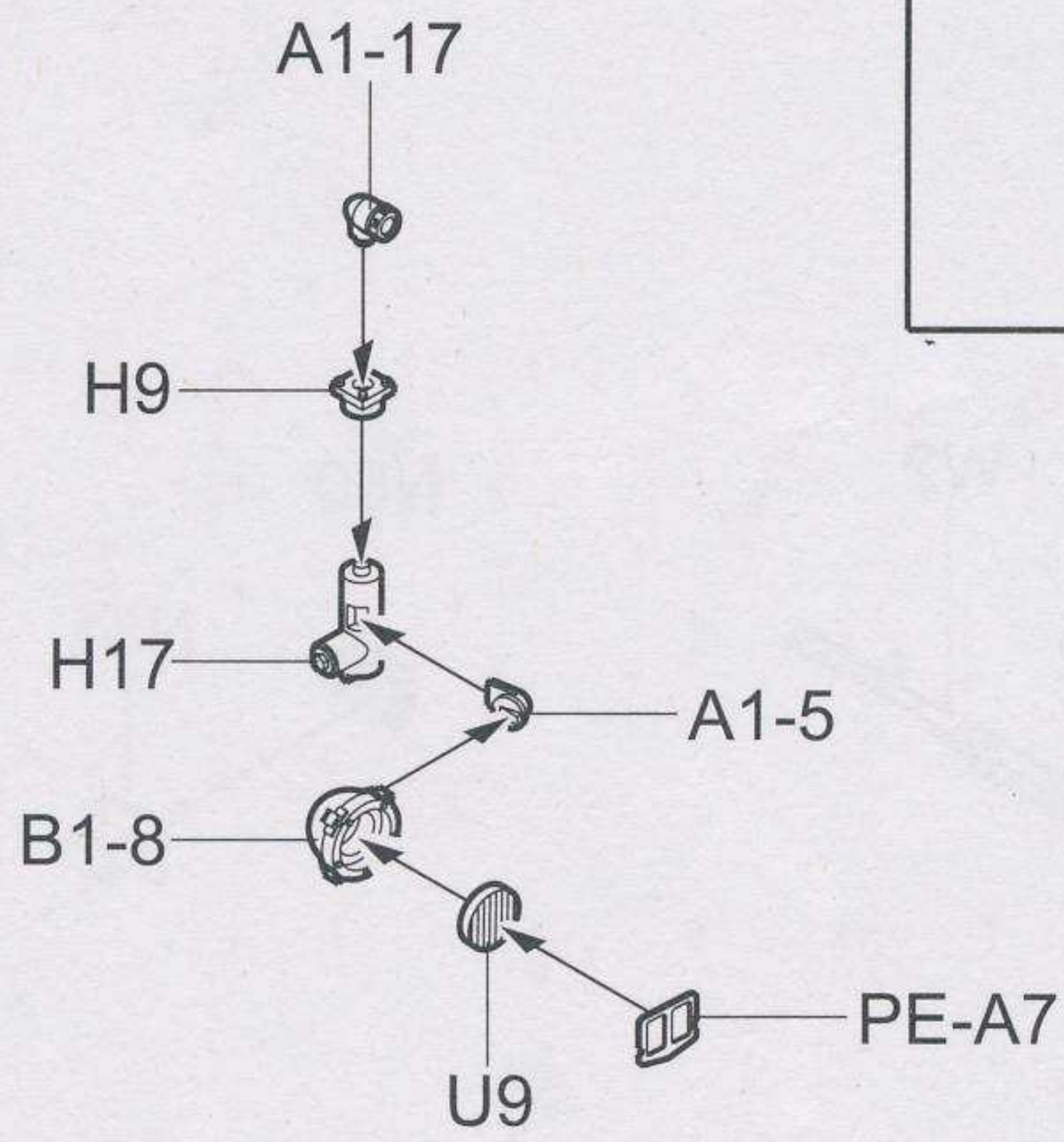


19

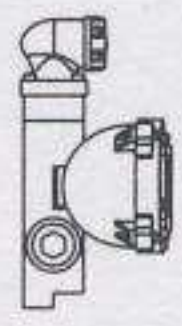


《炮塔》
Turret

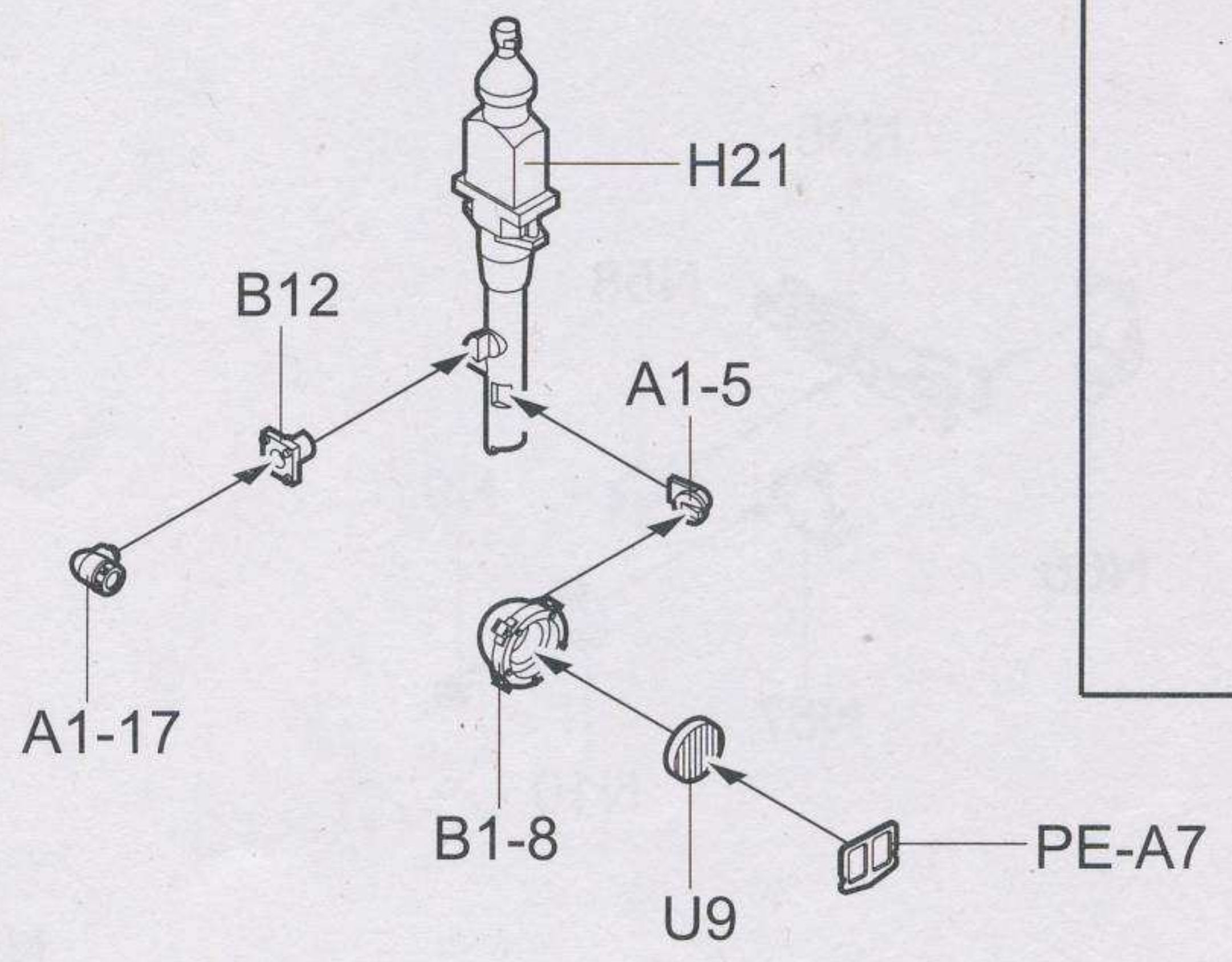
20



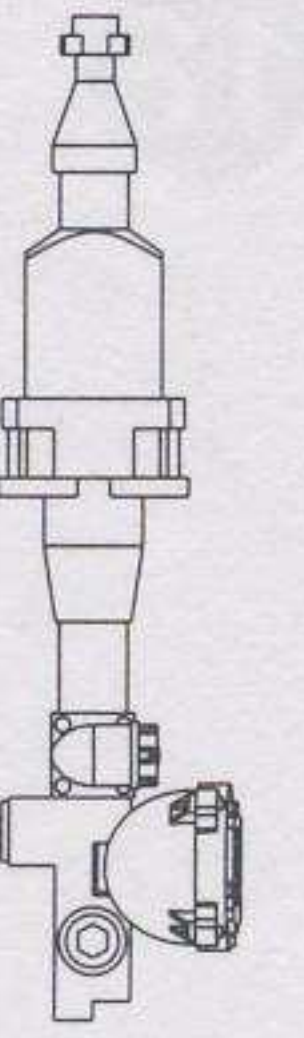
《Q-Q》



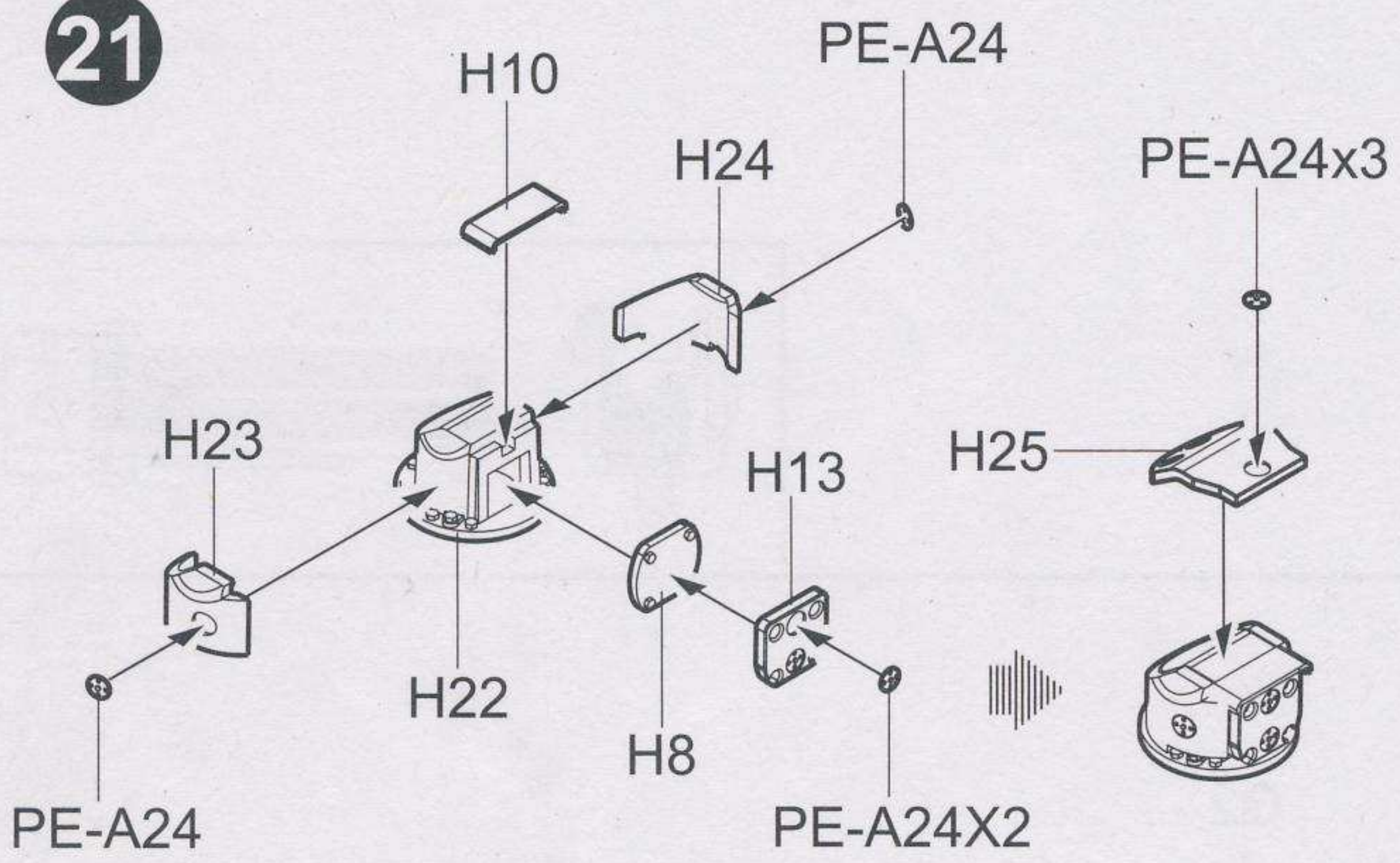
?
选择
Option



《U-U》

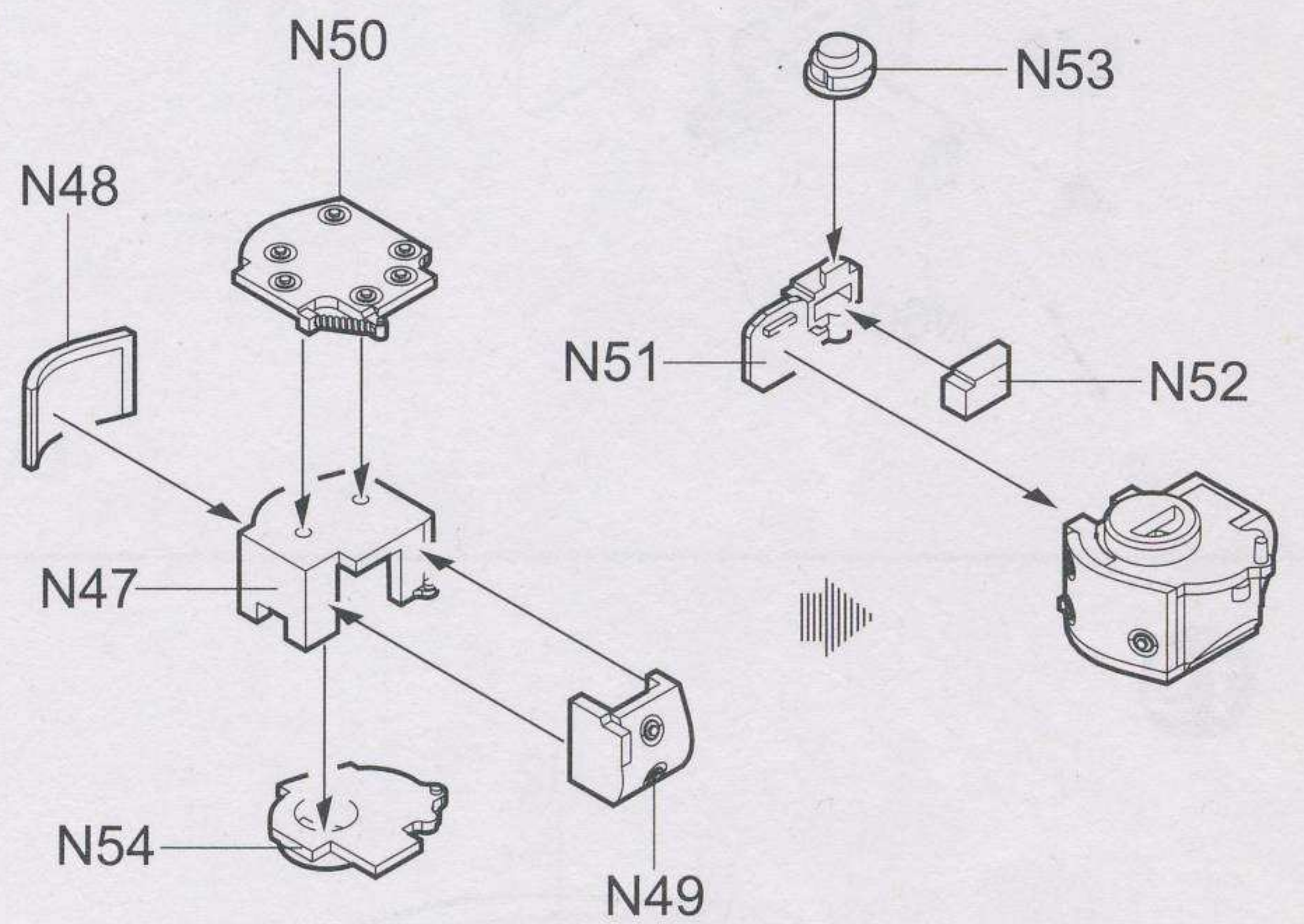


21



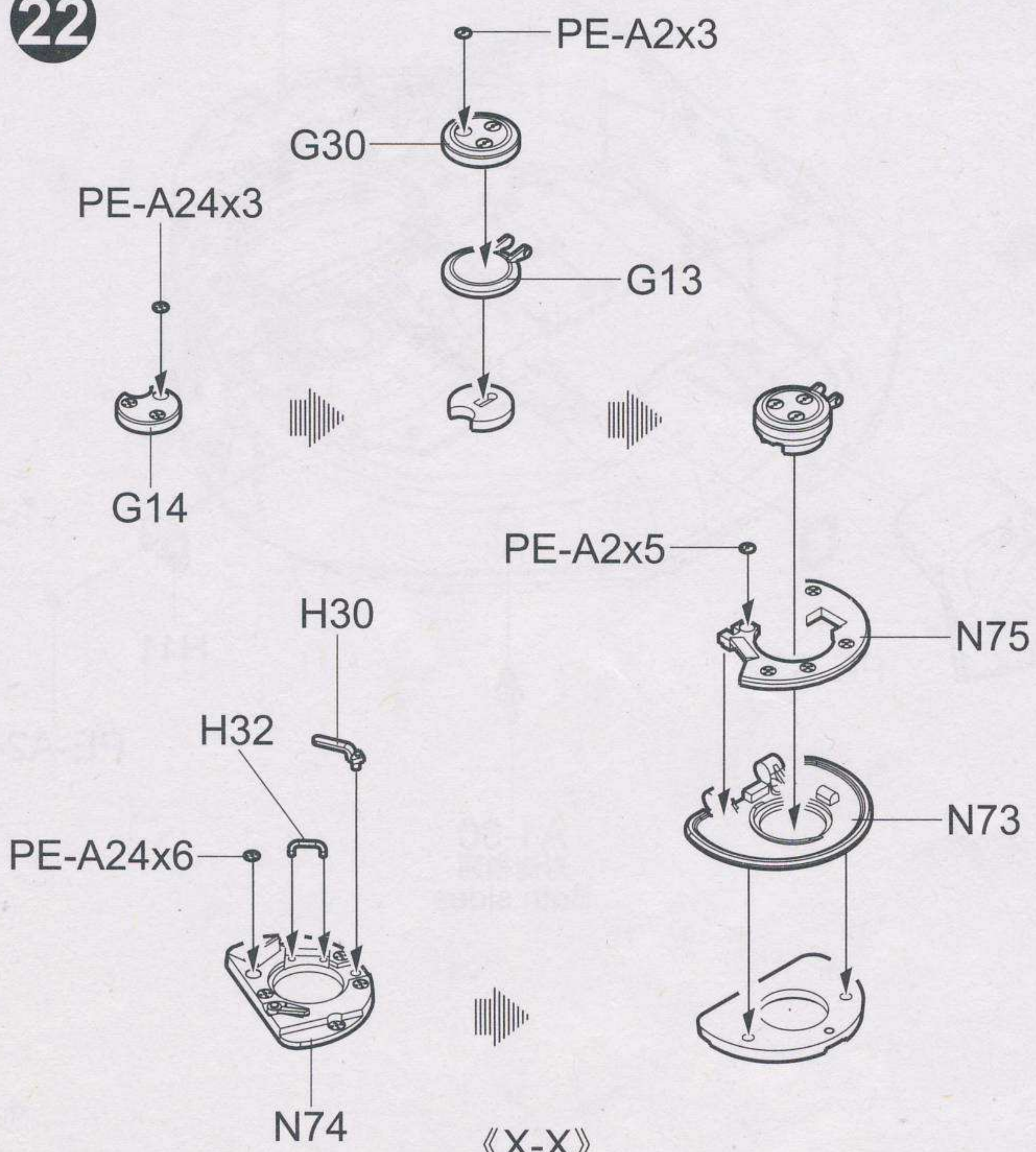
《V-V》

?
选择
Option



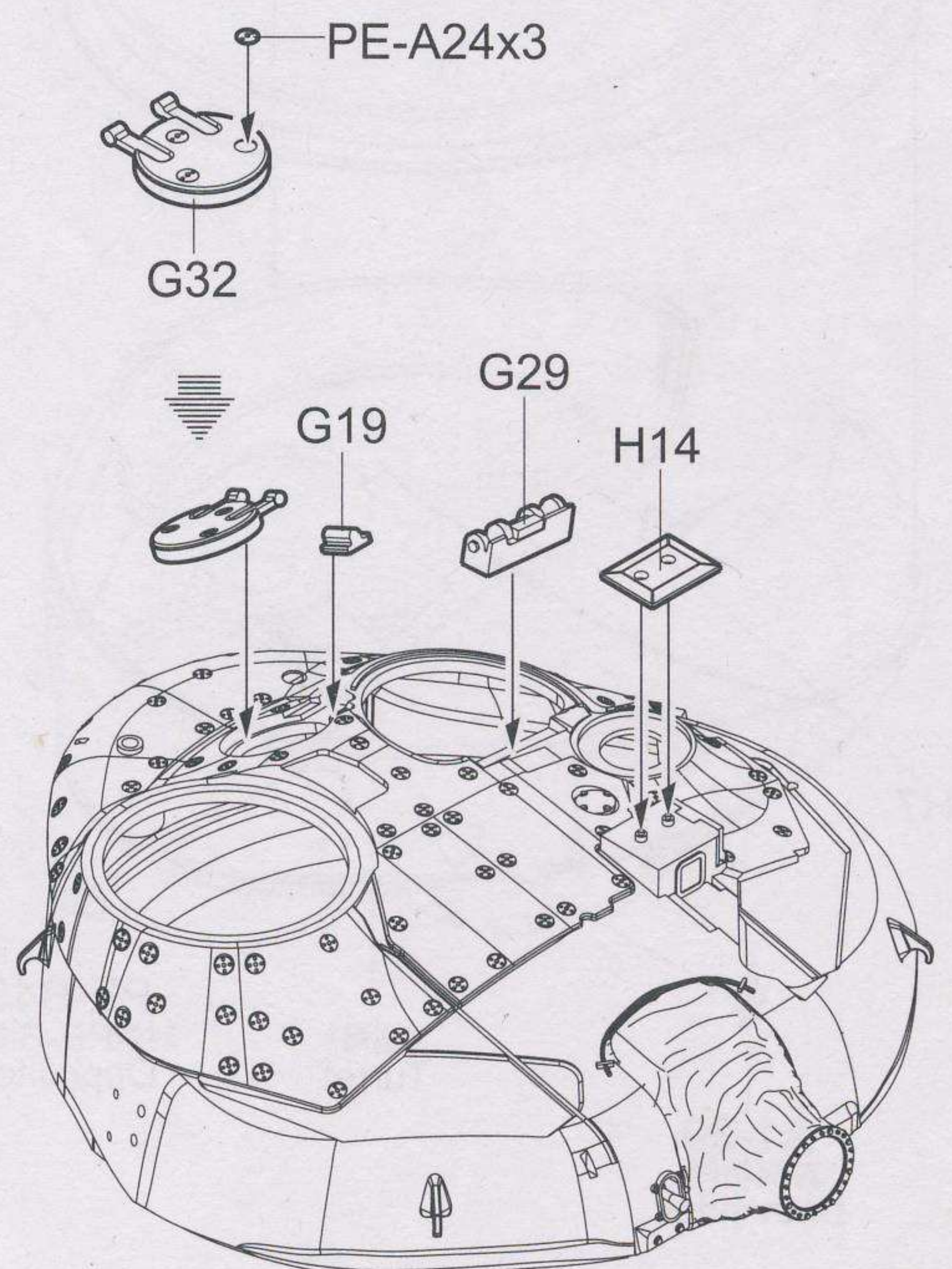
《W-W》

22

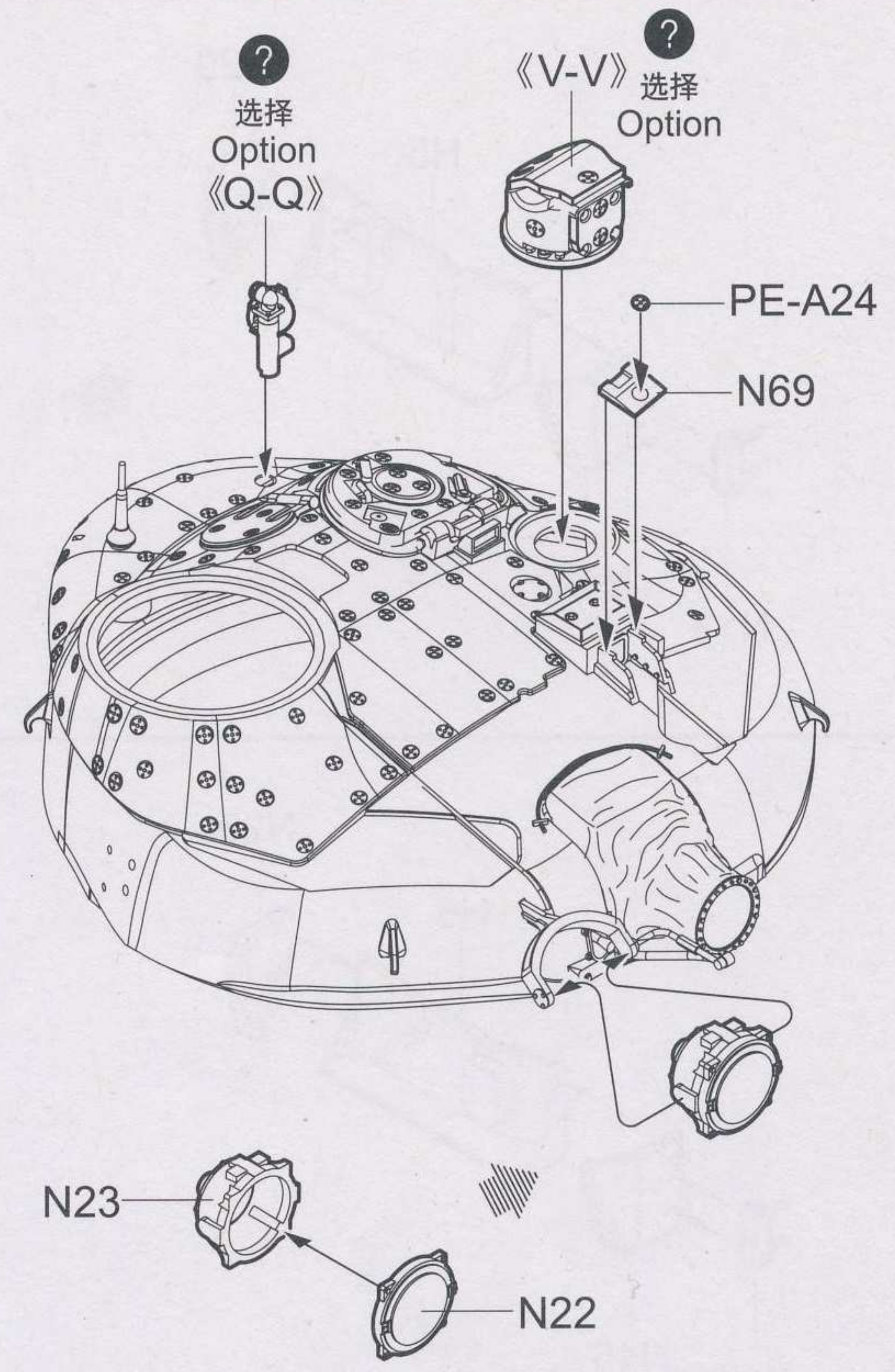
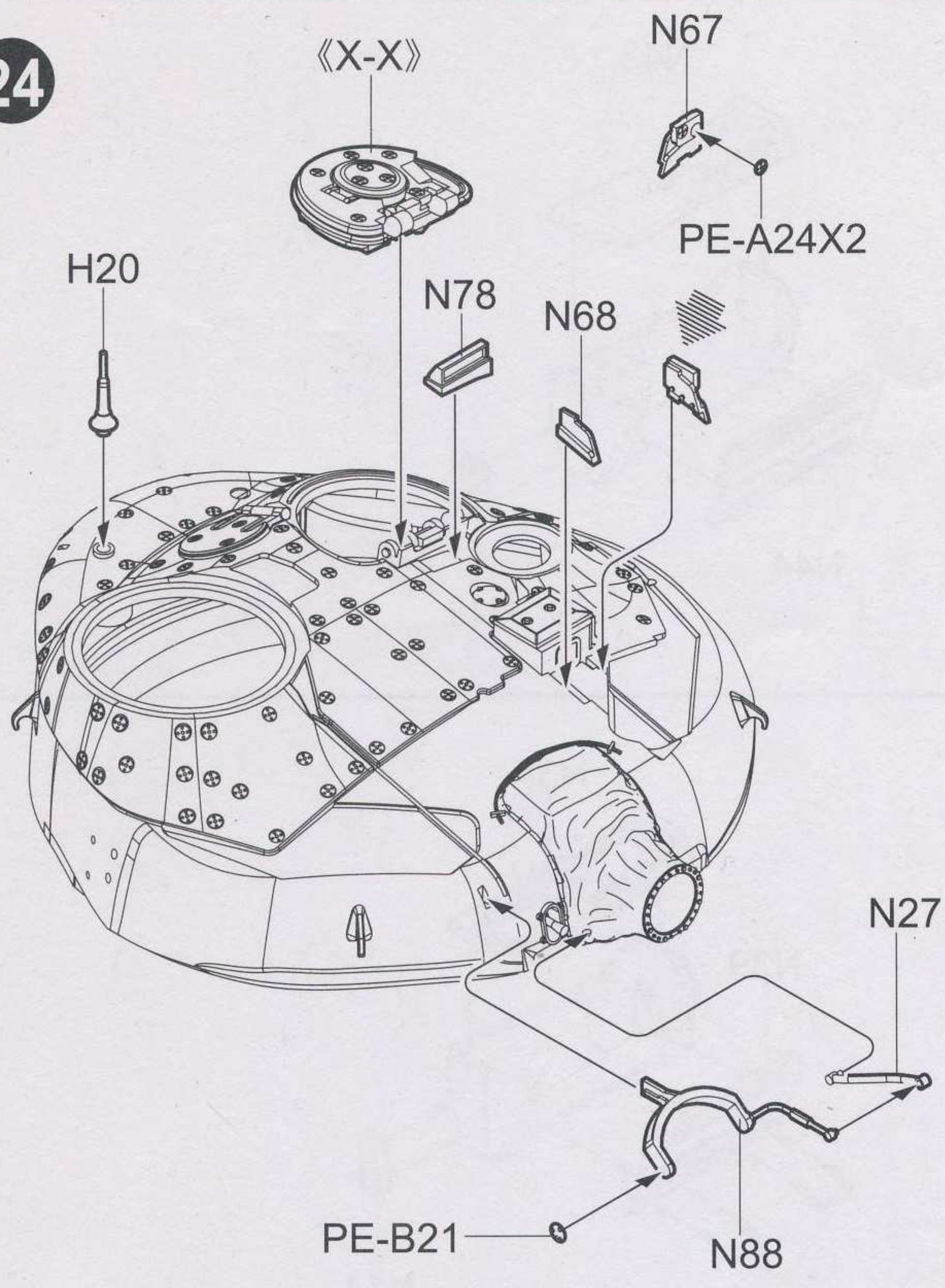


《X-X》

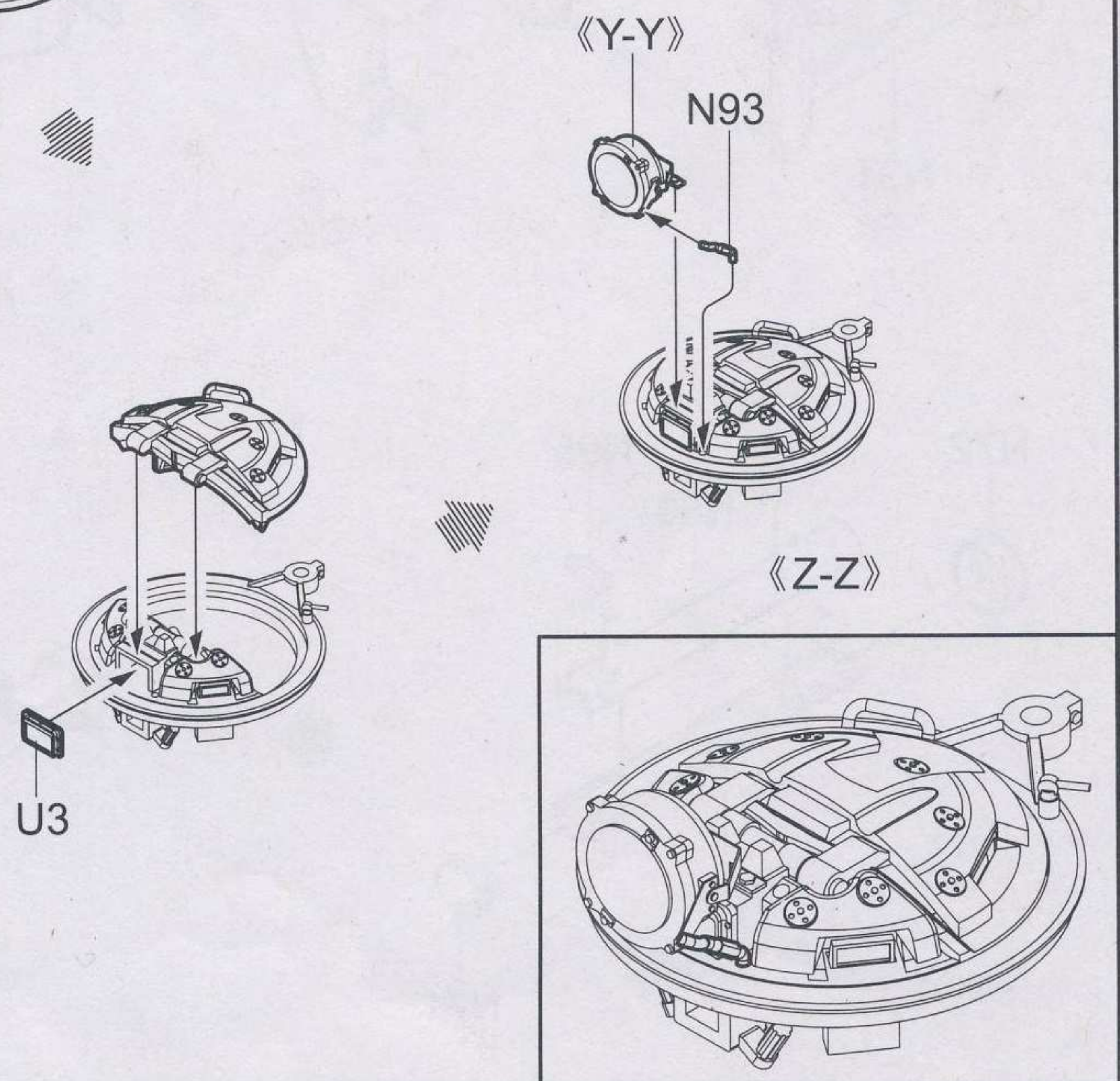
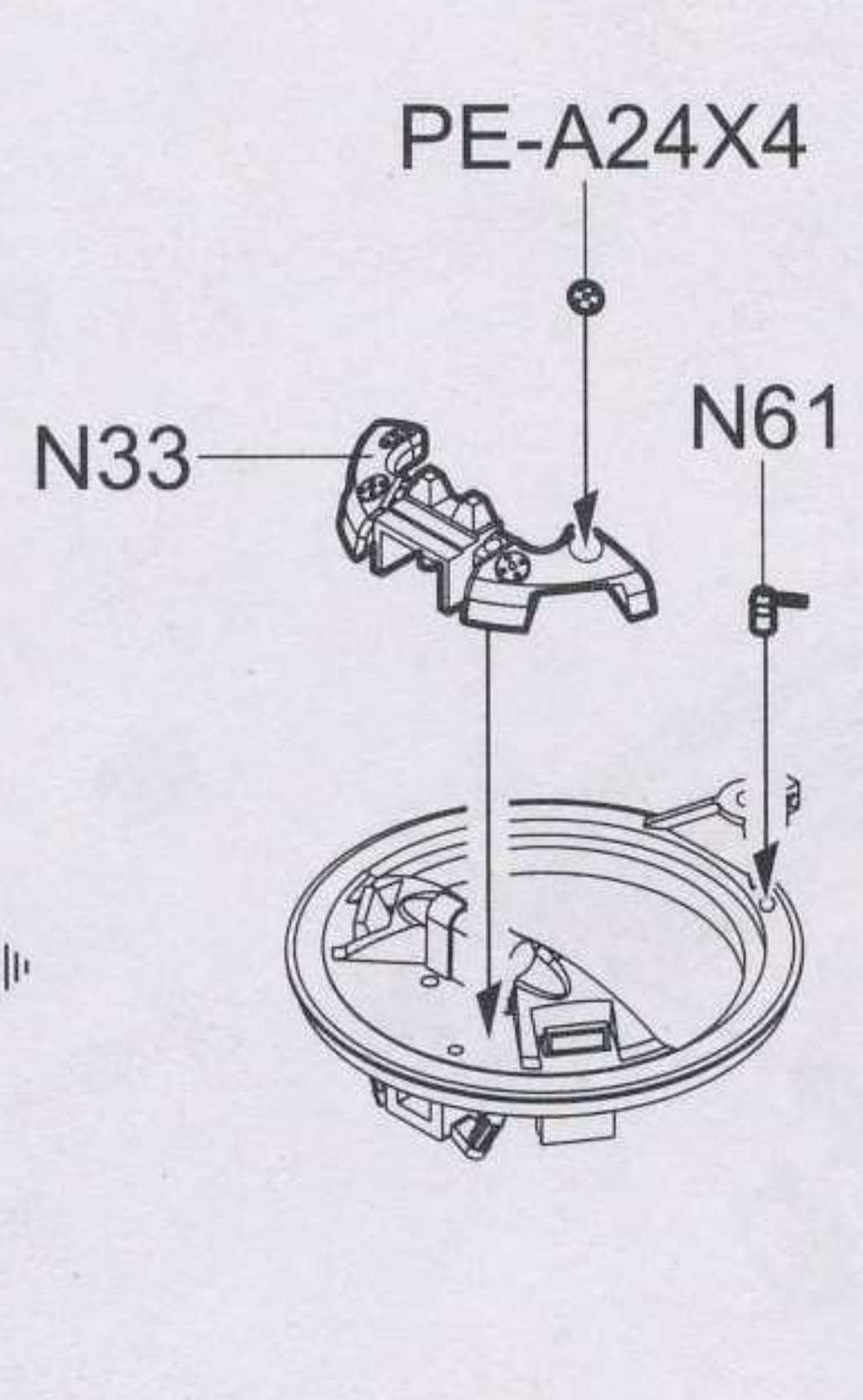
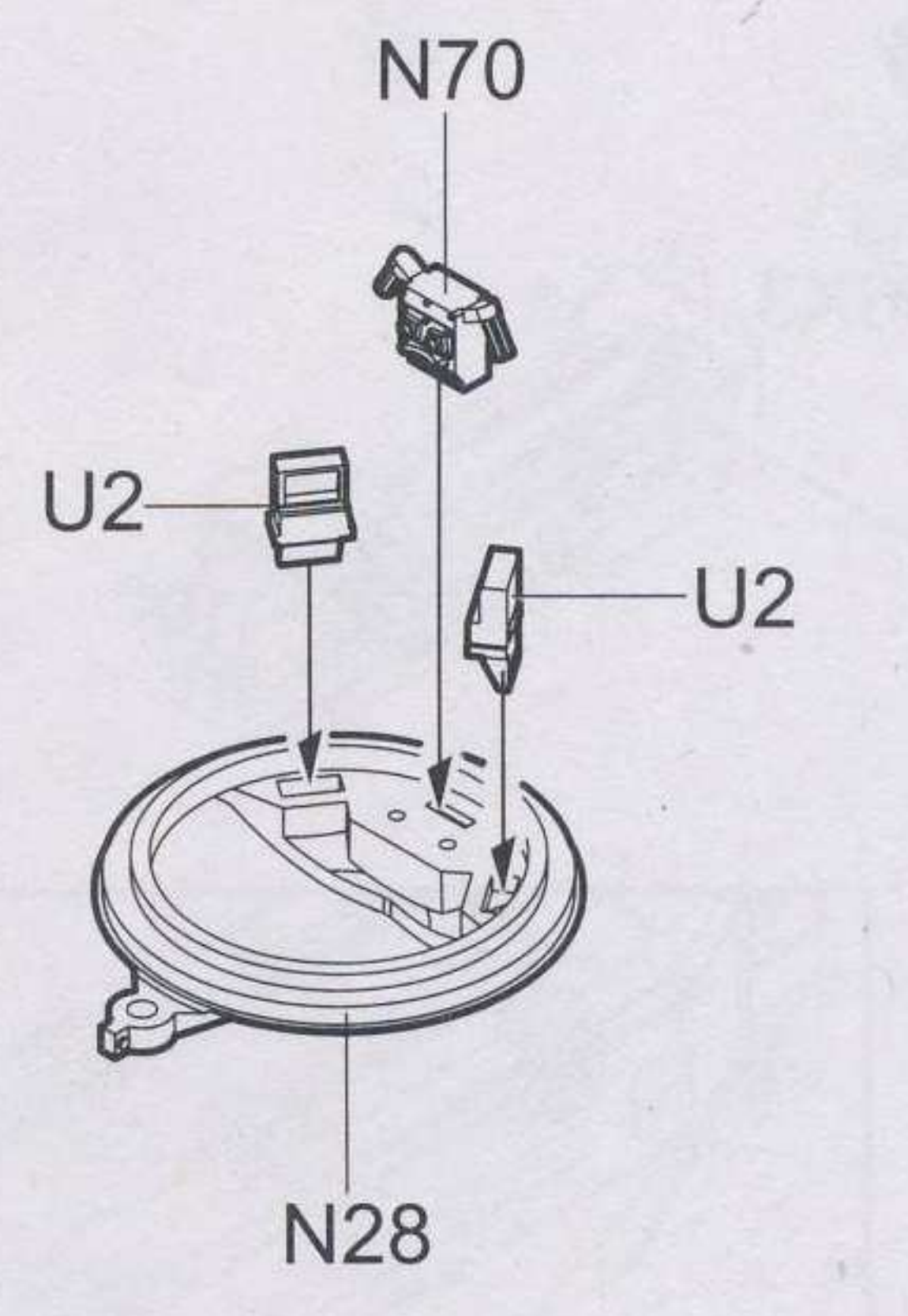
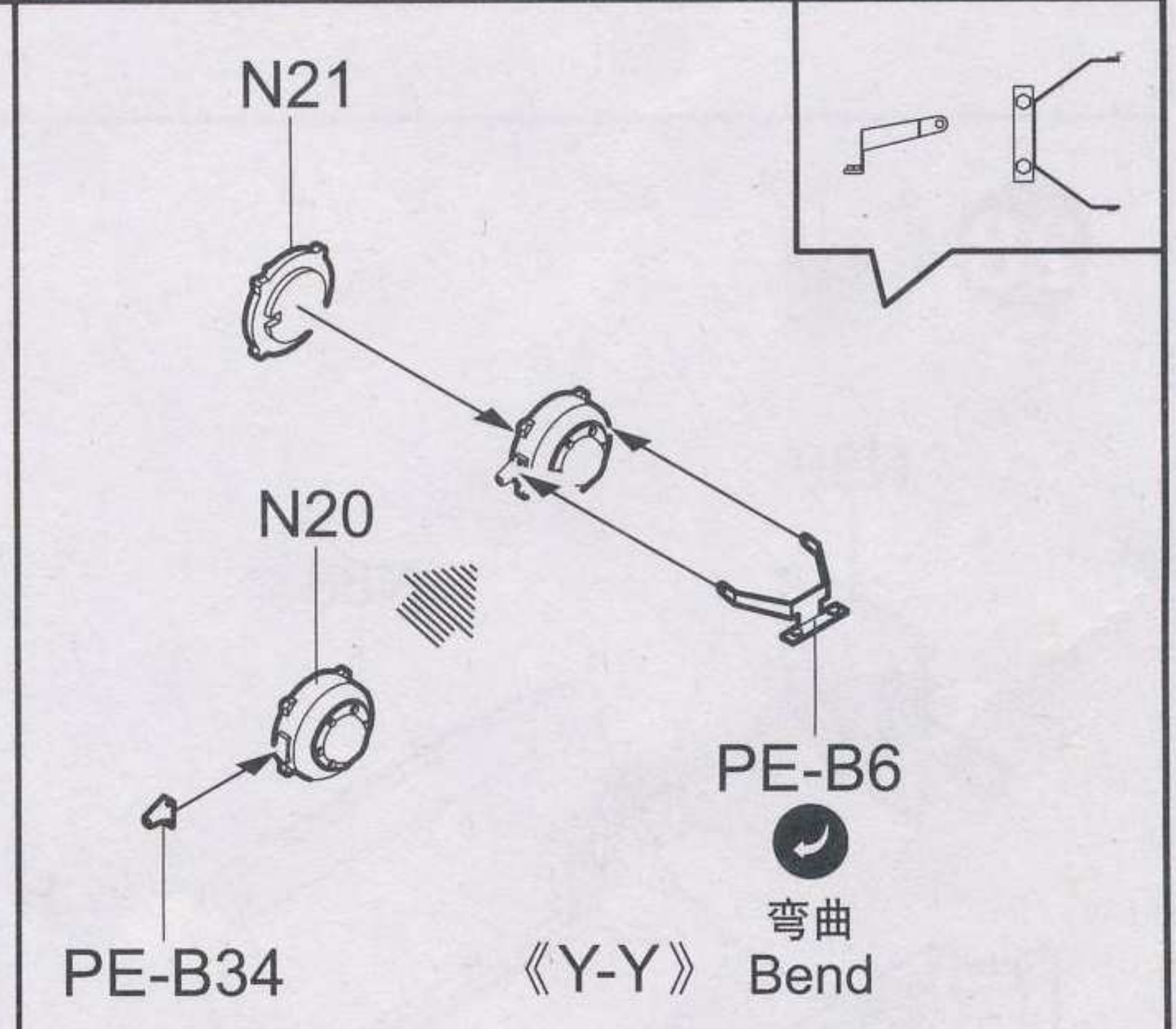
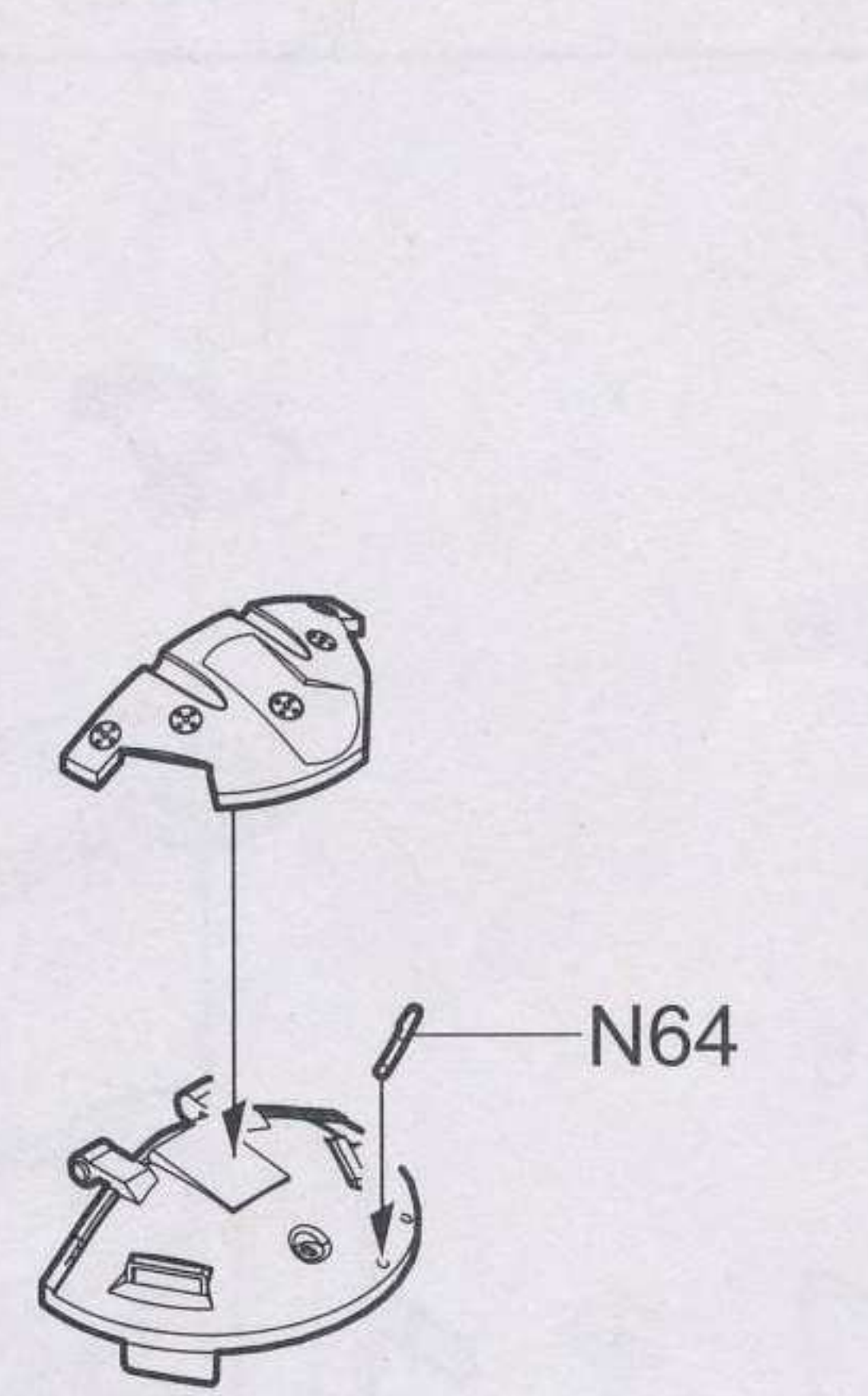
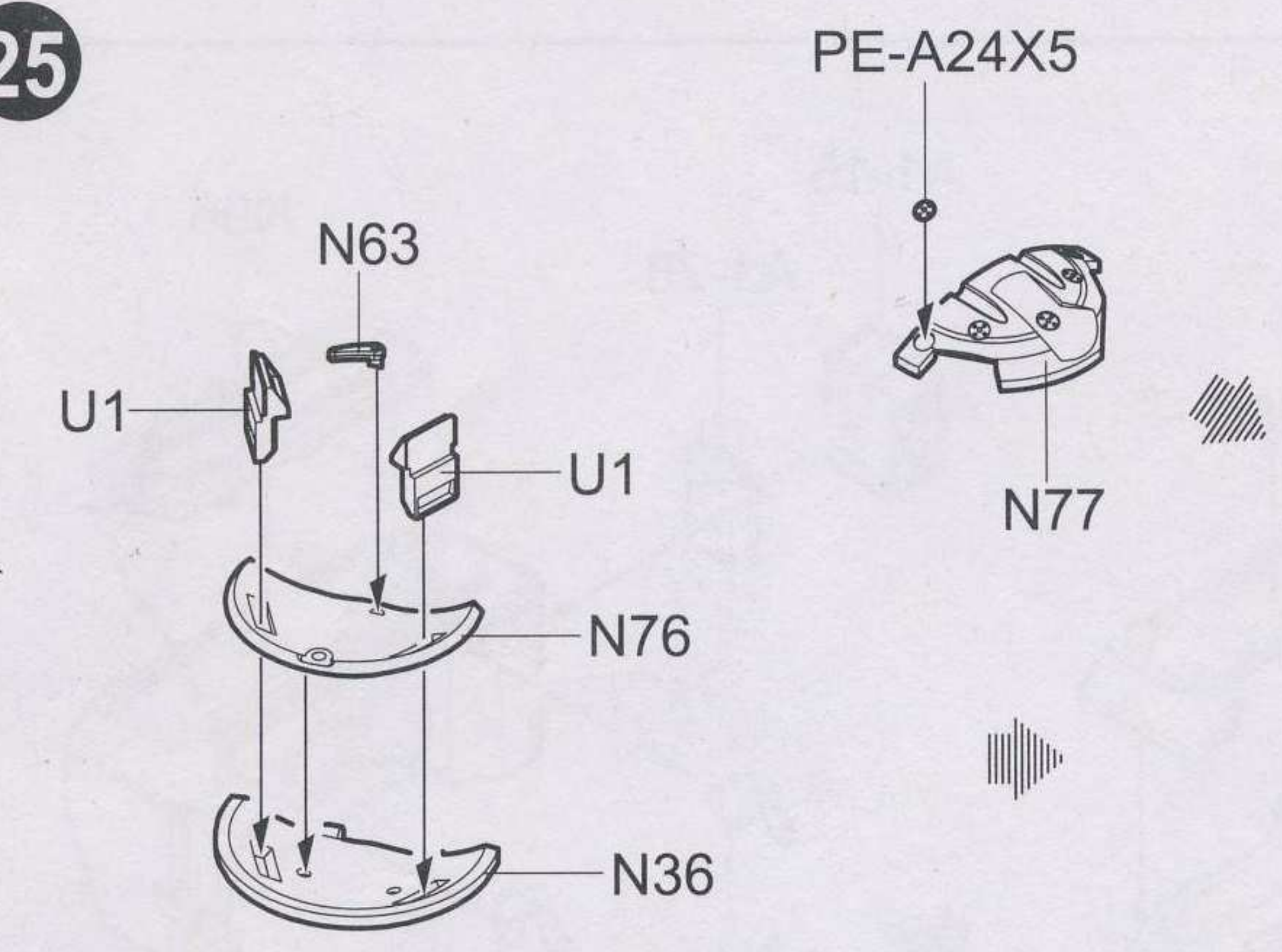
23



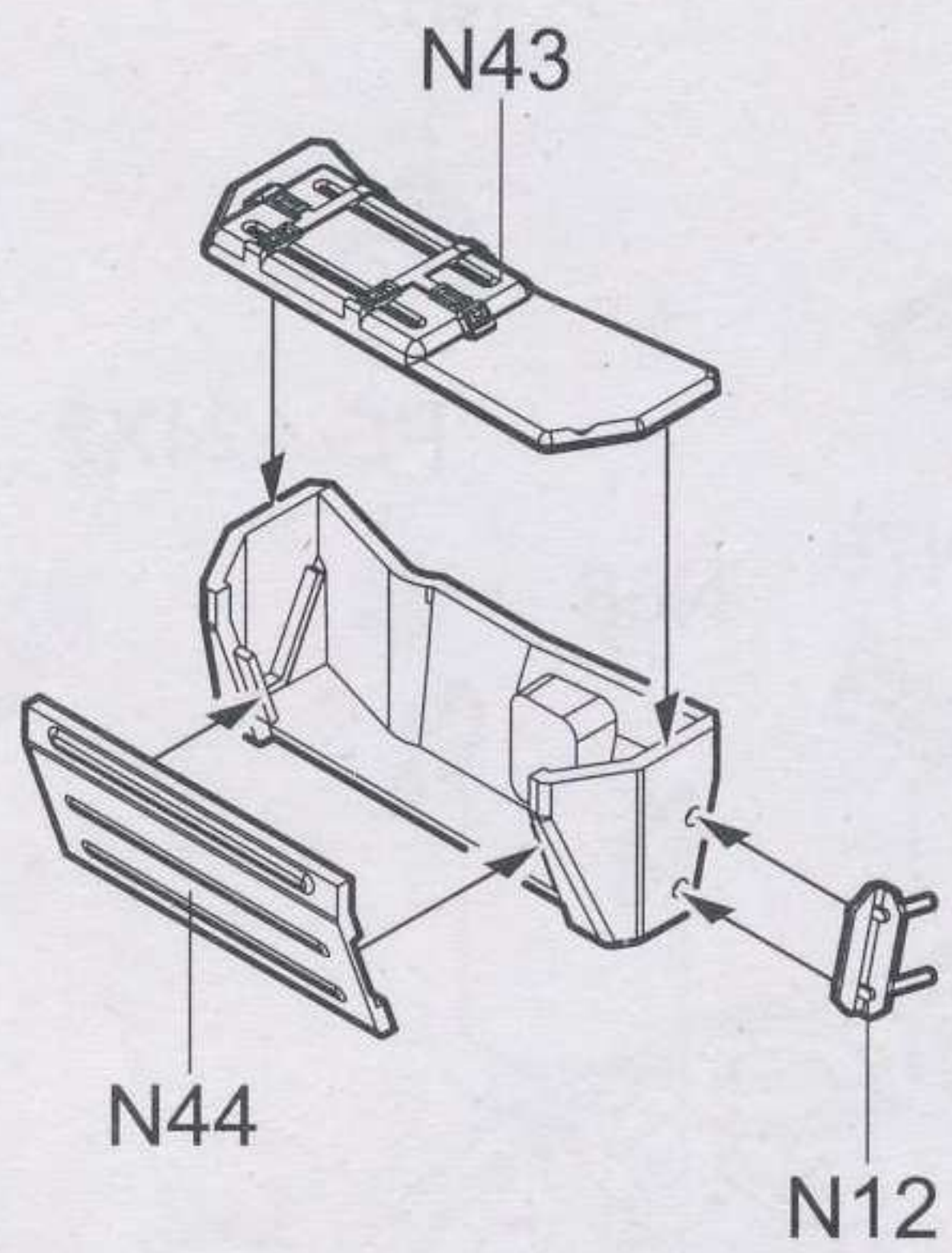
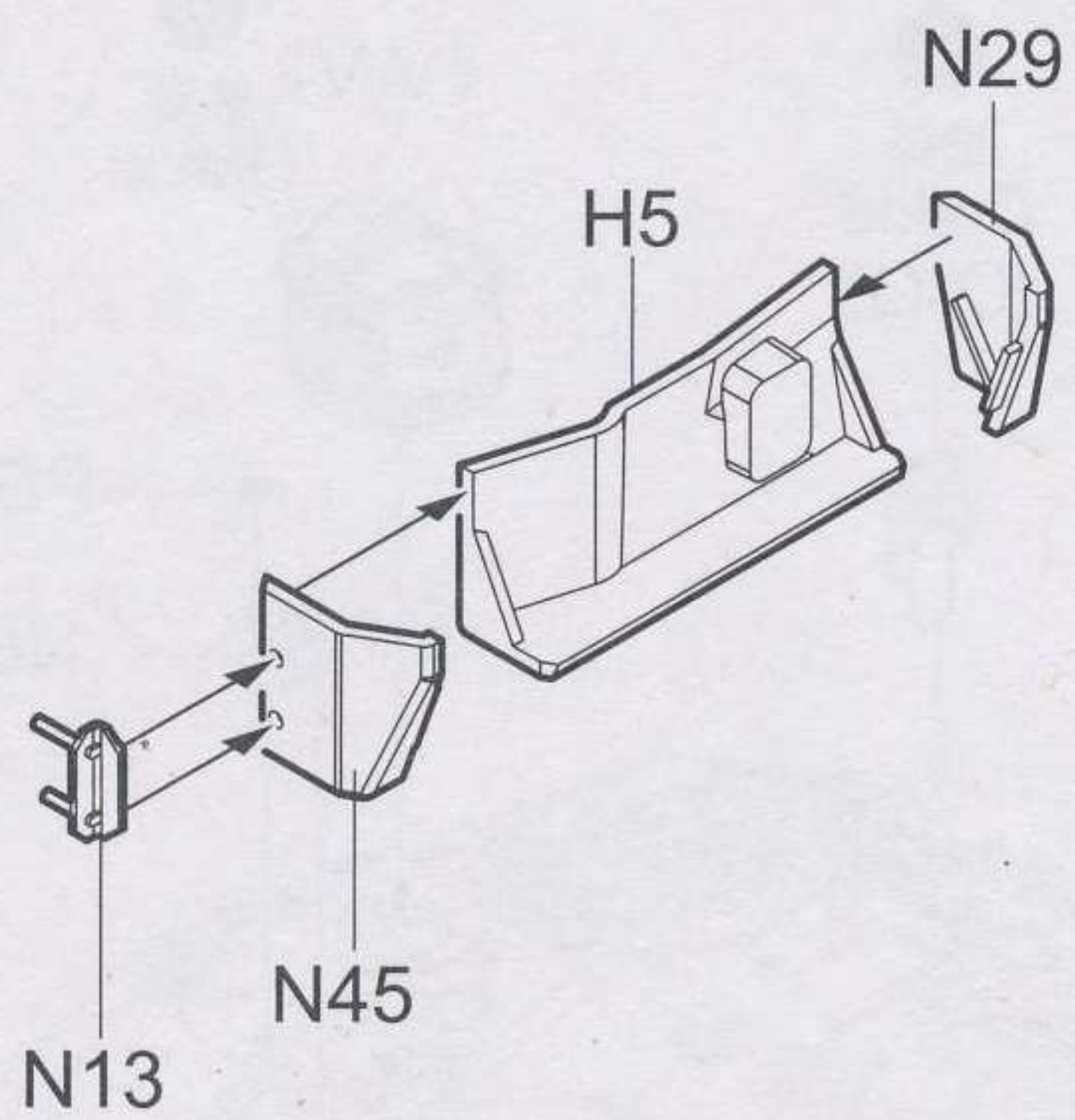
24



25

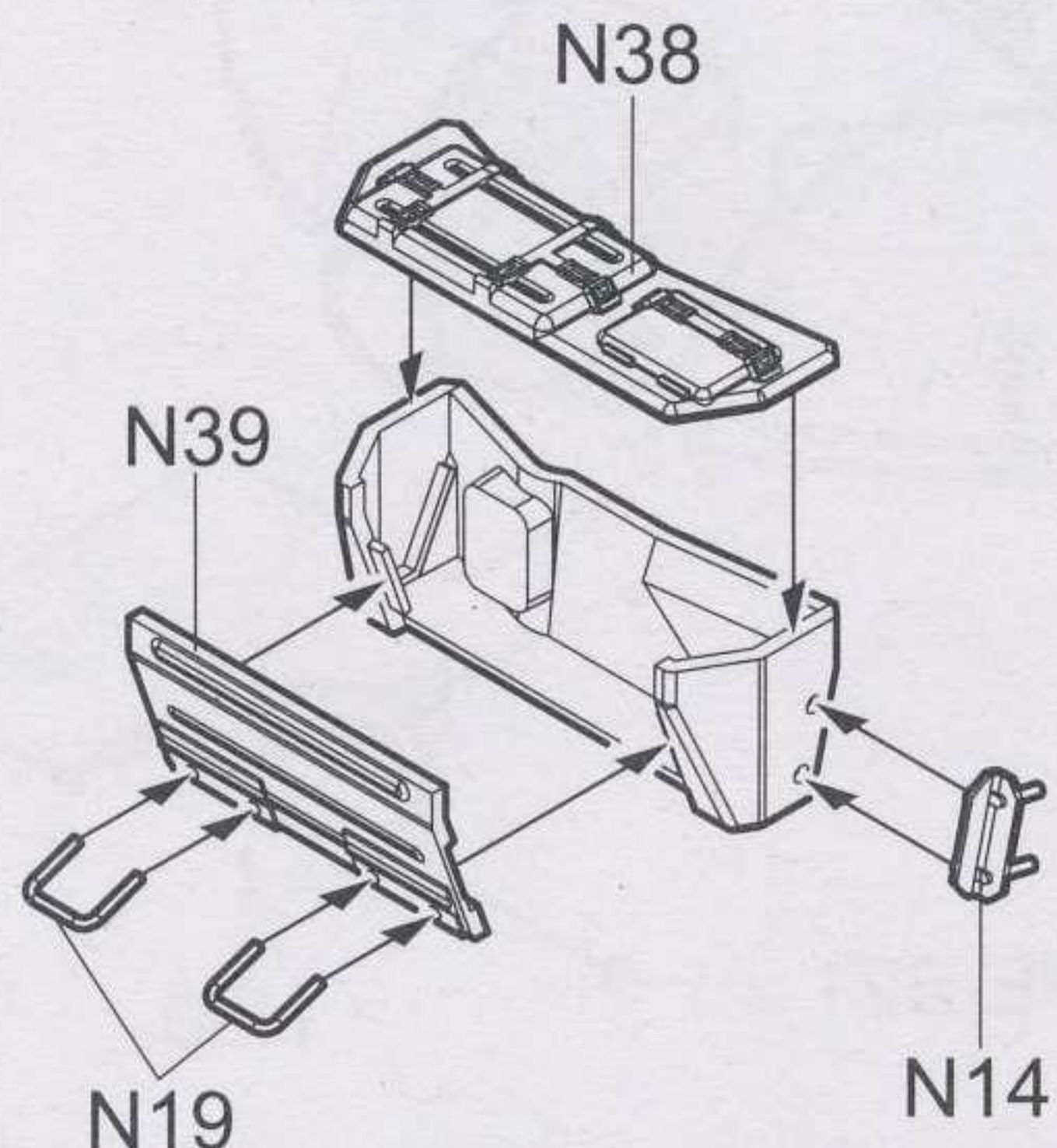
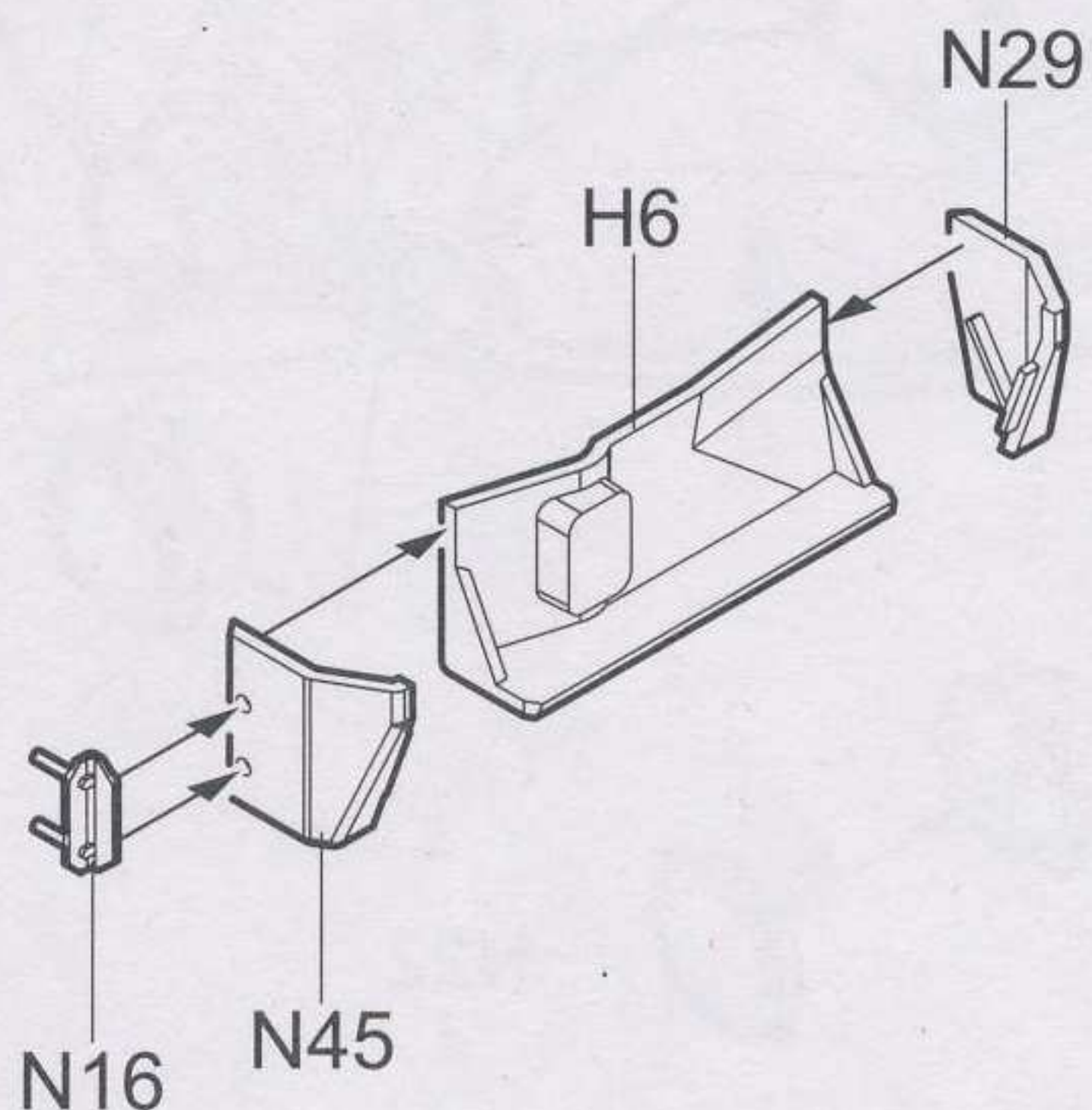


26



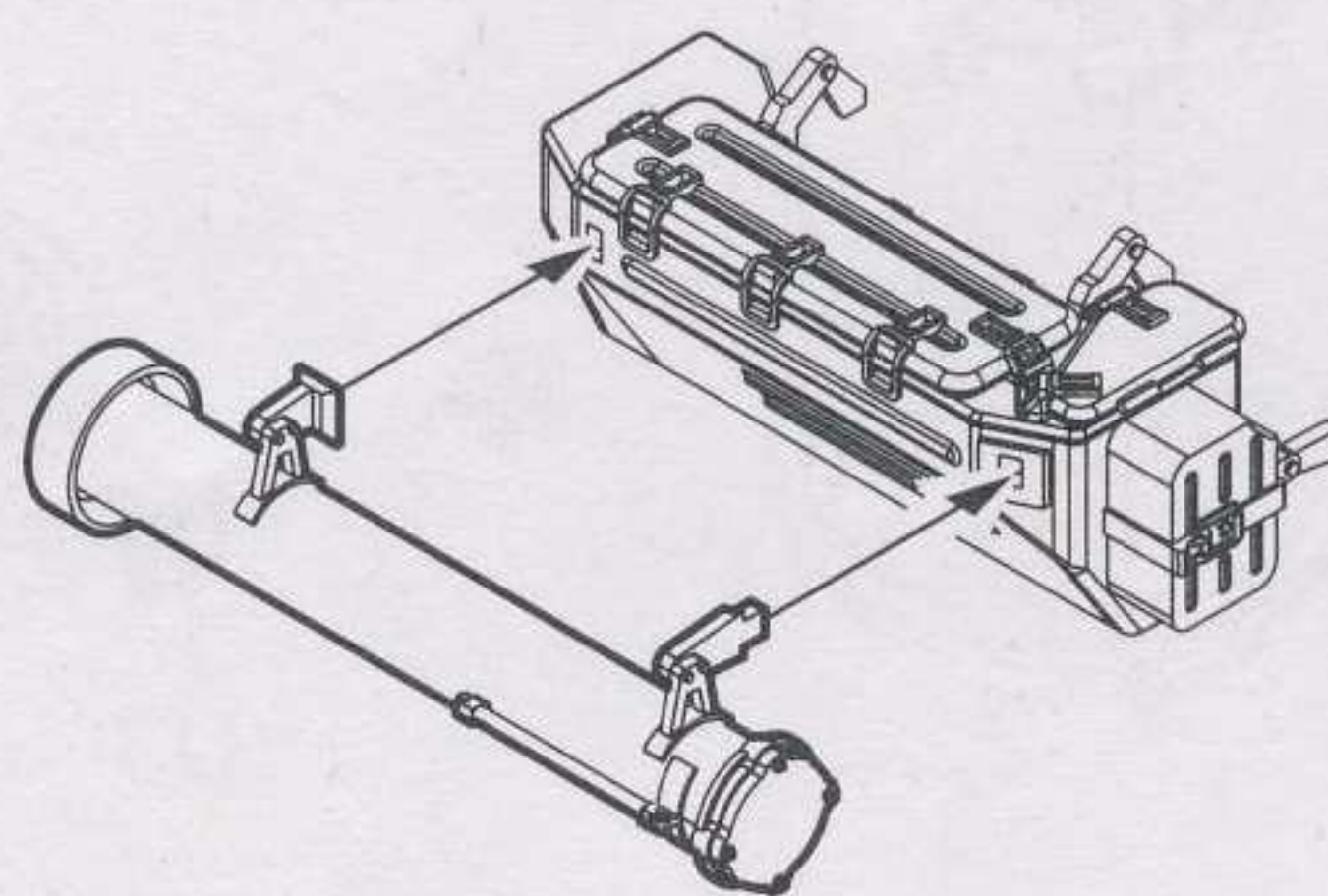
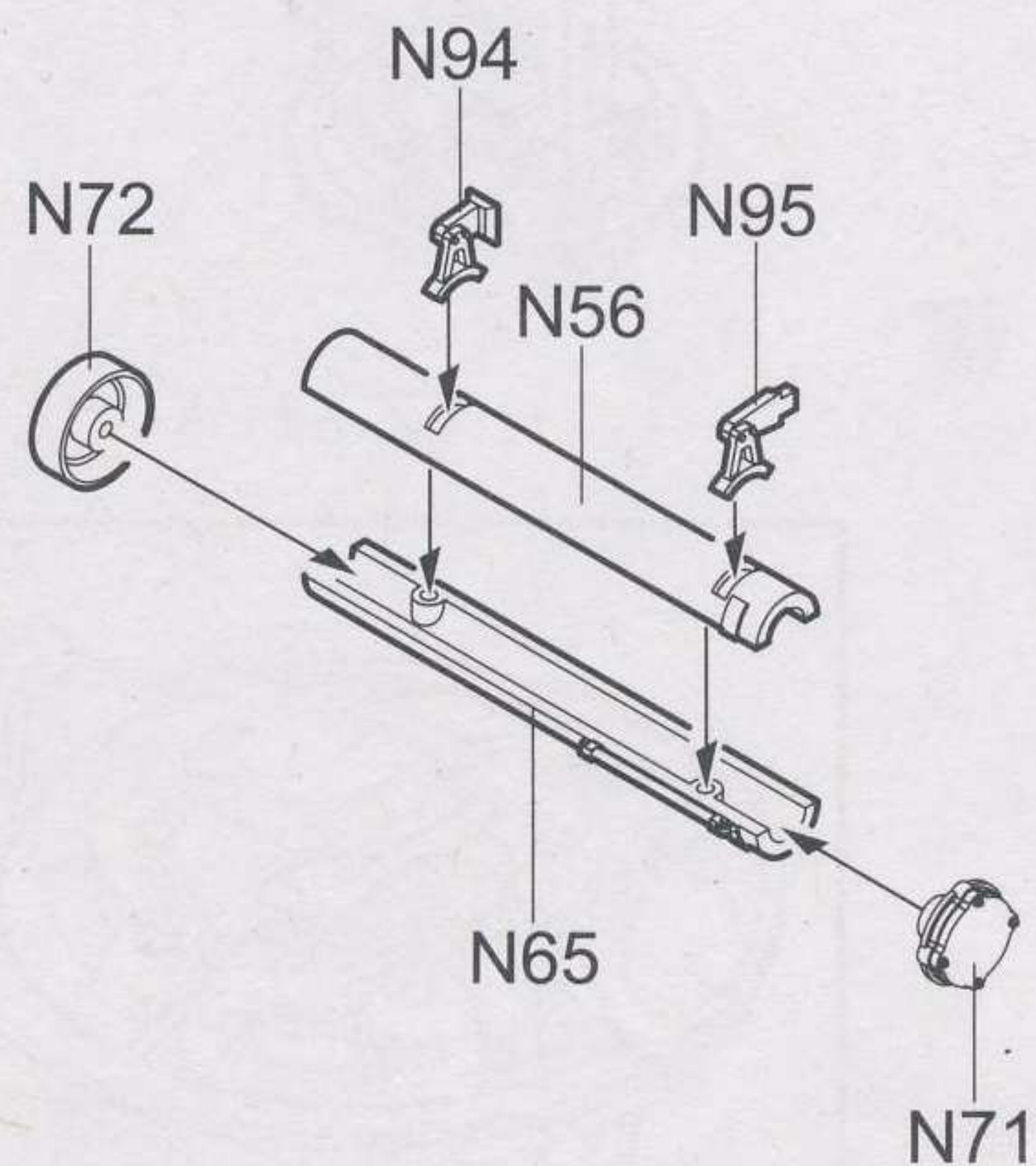
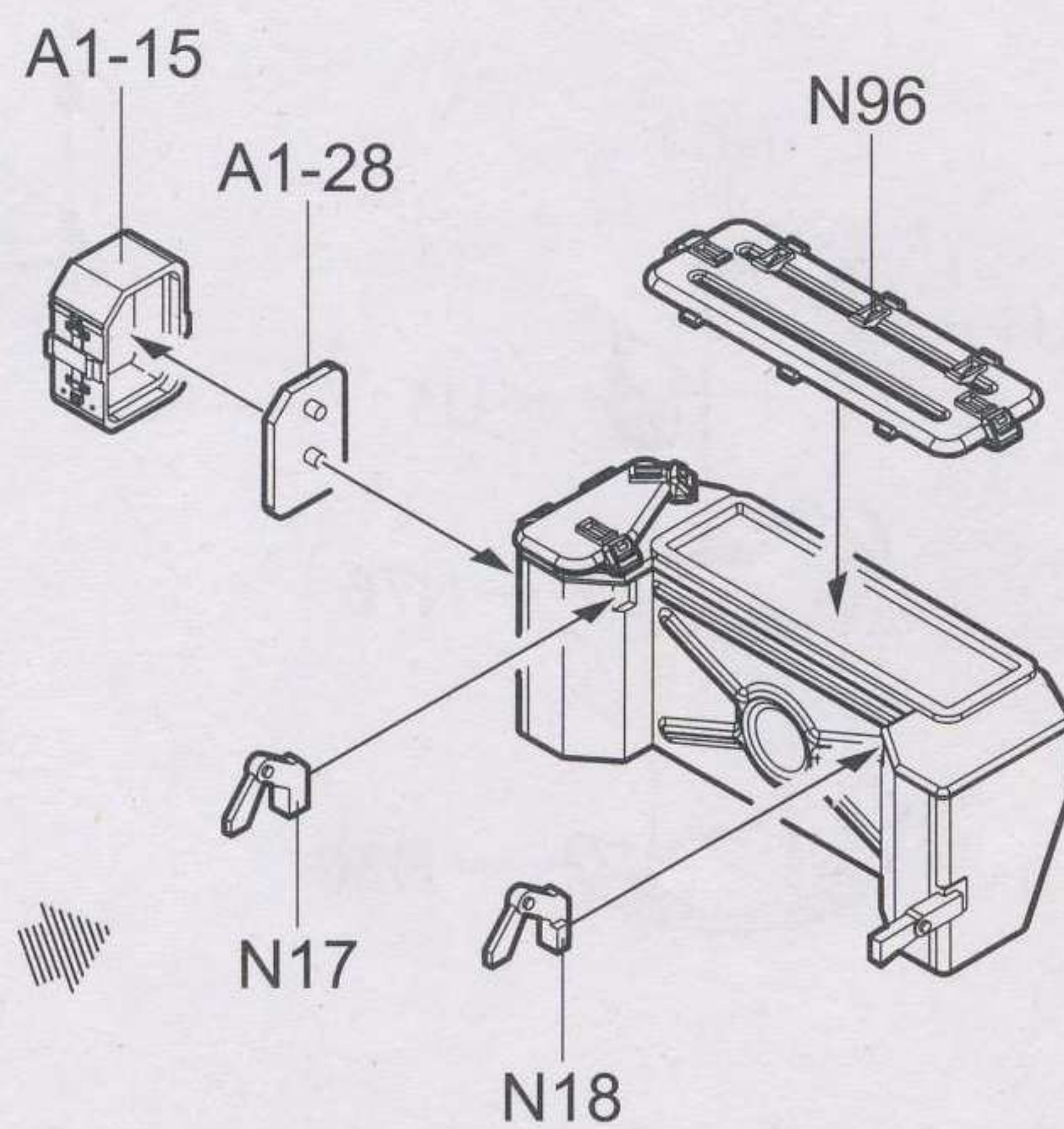
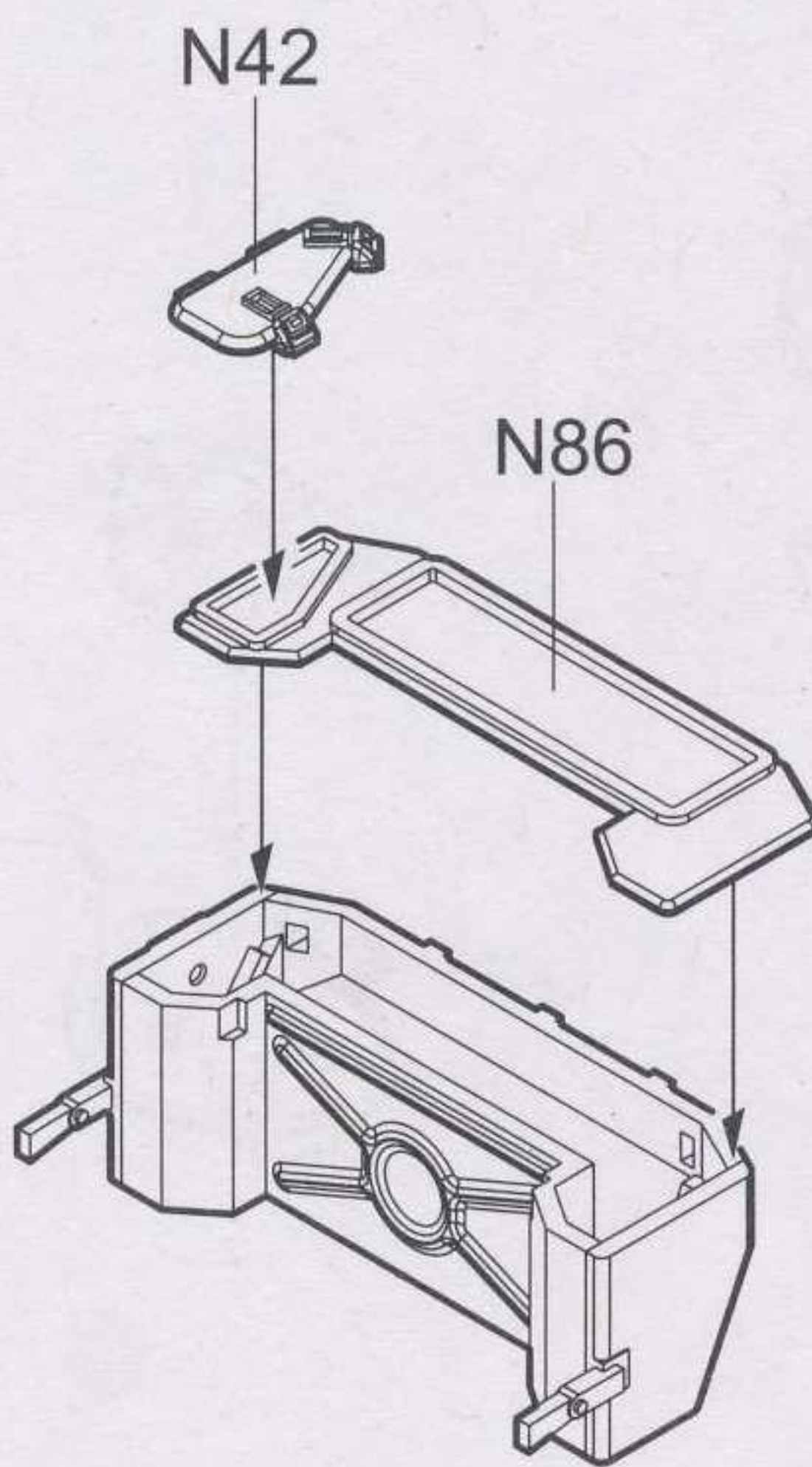
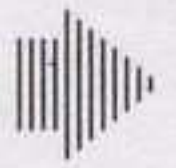
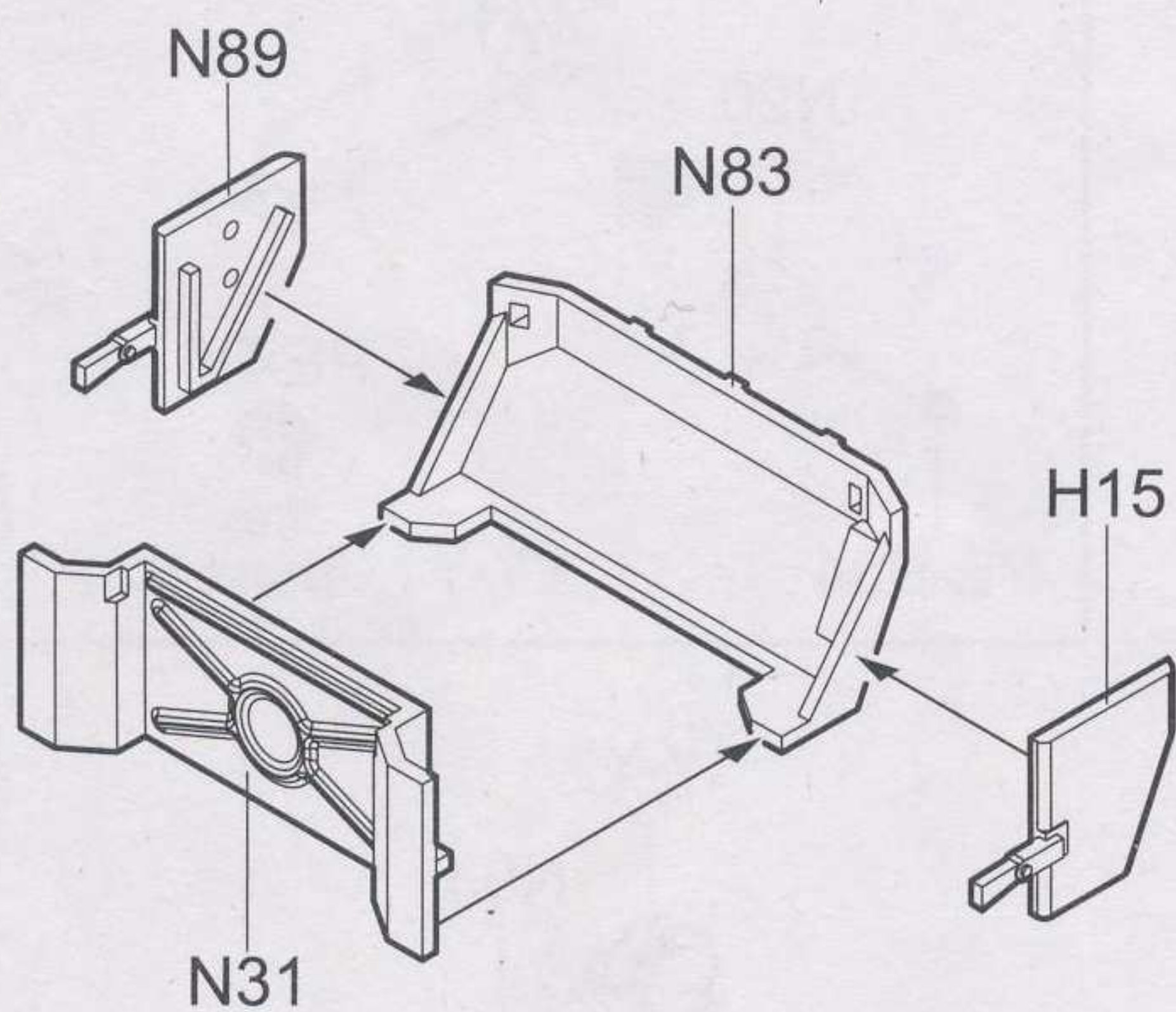
《A-C》

27

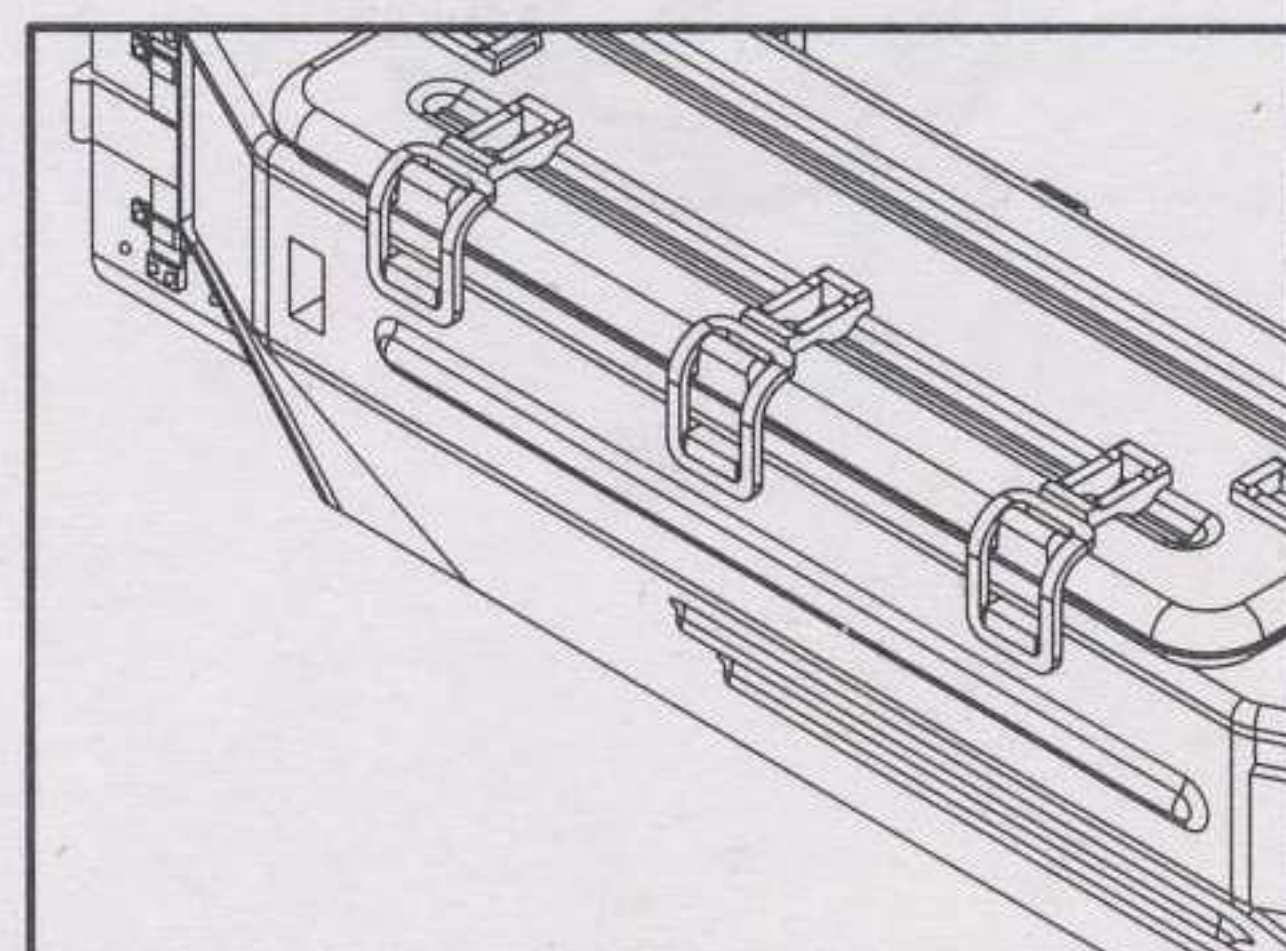


《A-D》

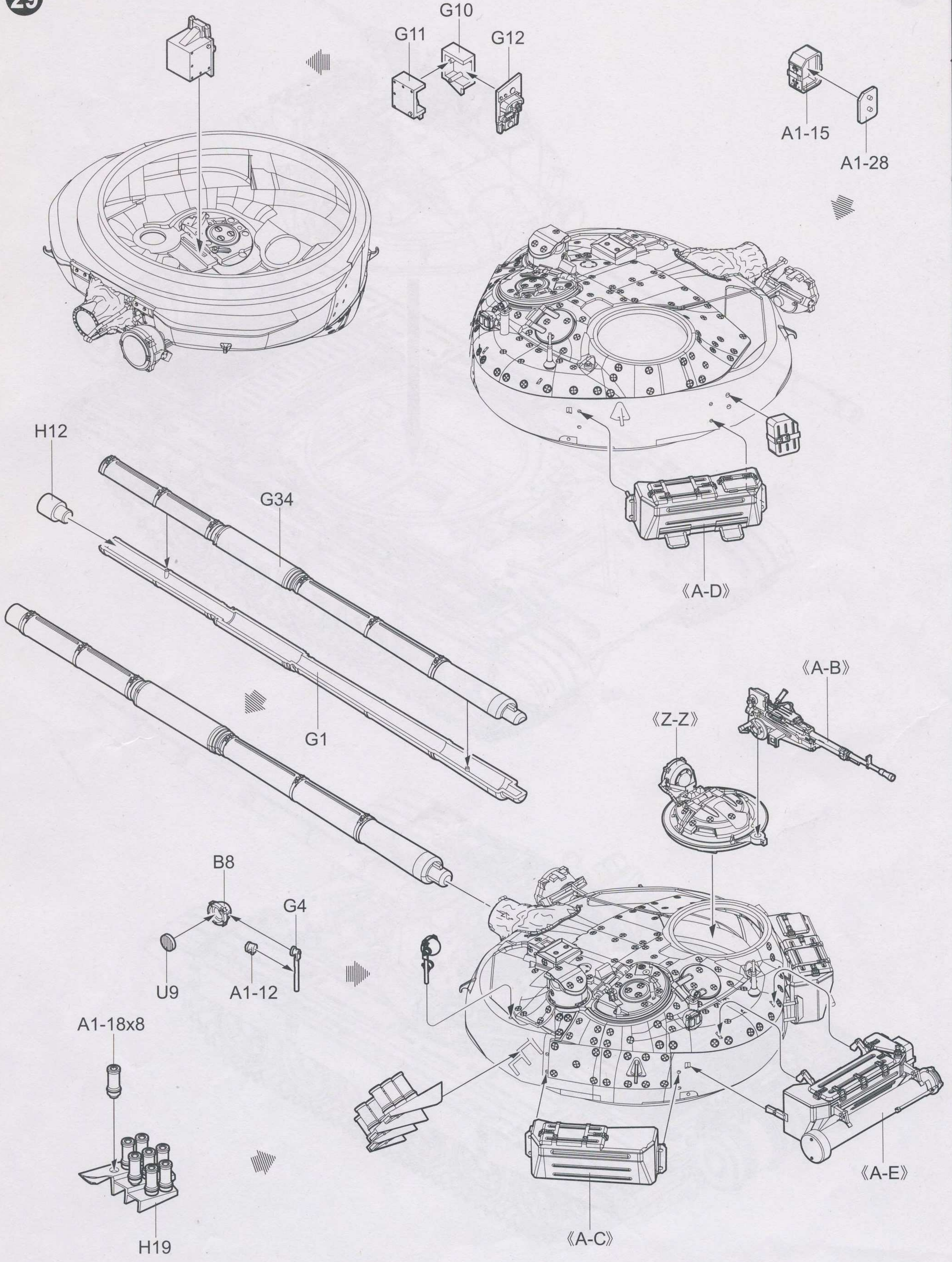
28

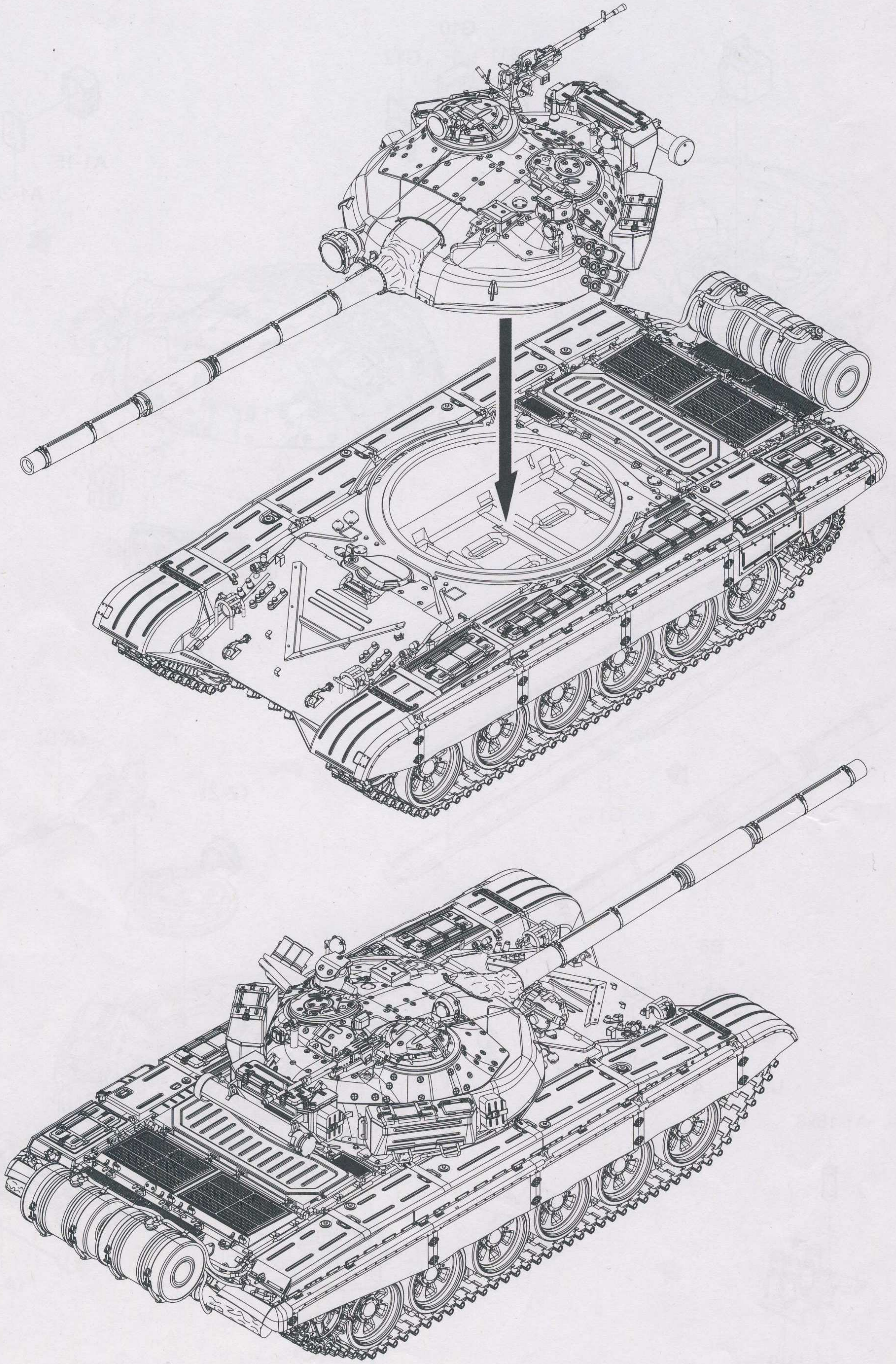


弯曲
Bend
PE-A6X3



《A-E》





1/35 SCALE

ITEM NO.: 05598

Russian T-72B MBT

俄罗斯T-72B主战坦克

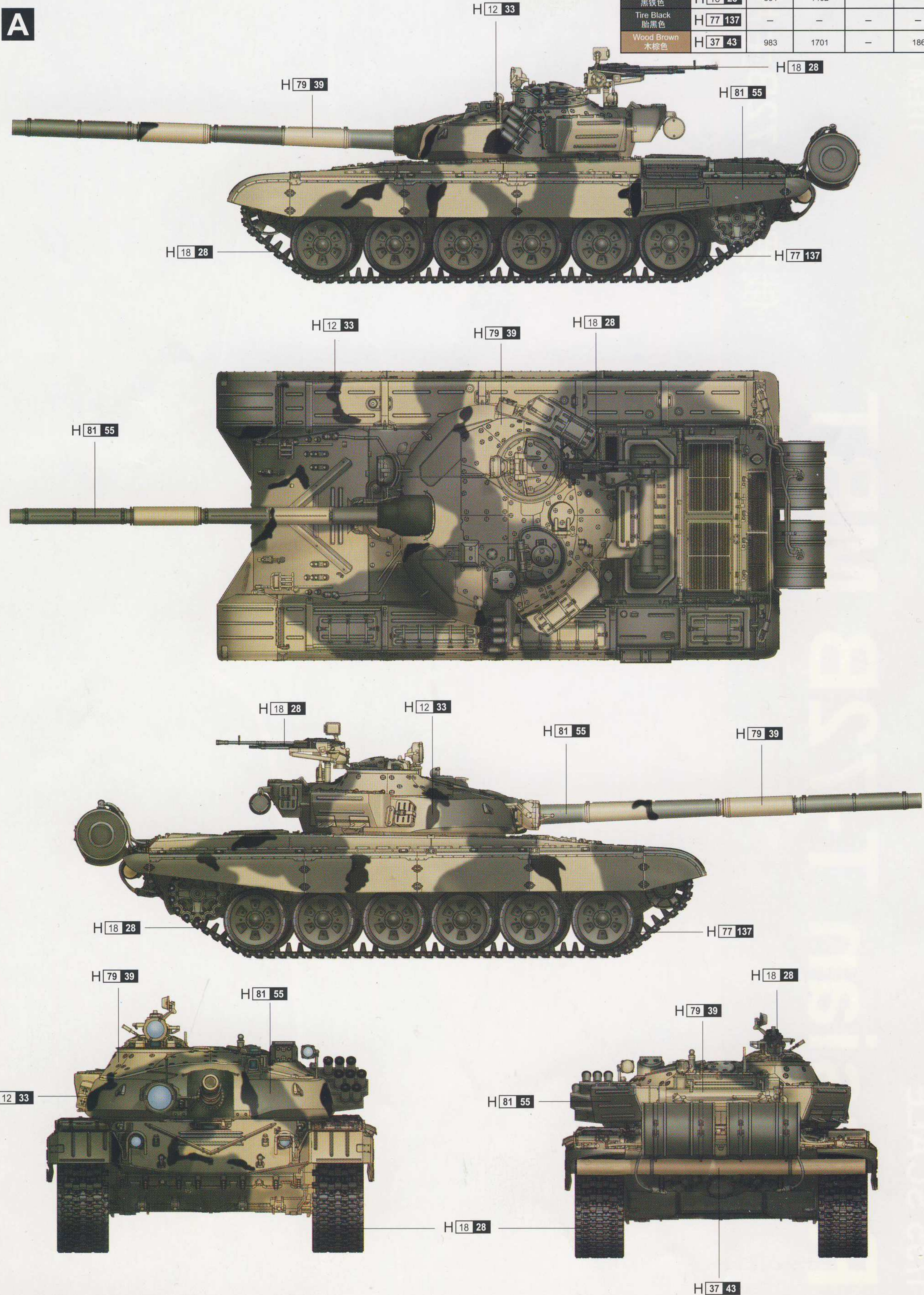


涂装同标贴指示

Painting & Marking guide

PAINT REFERENCE COLOUR

| Color | Mr.Hobby | Vallejo | Model Master | Tamiya | Humbrol |
|--------------------|----------|---------|--------------|--------|---------|
| Flat Black 消光黑 | H 12 33 | 950 | 1749 | XF1 | 33 |
| Khaki 卡其色 | H 81 55 | 988 | — | XF49 | 26 |
| Sandy Brown 砂黄色 | H 79 39 | 824 | — | XF59 | 93 |
| Metal Black 黑铁色 | H 18 28 | 864 | 1402 | — | — |
| Tire Black 胎黑色 | H 77 137 | — | — | — | — |
| Wood Brown 木棕色 | H 37 43 | 983 | 1701 | — | 186 |



□ AQUEOUS HOBBY COLOR ■ Mr. COLOR

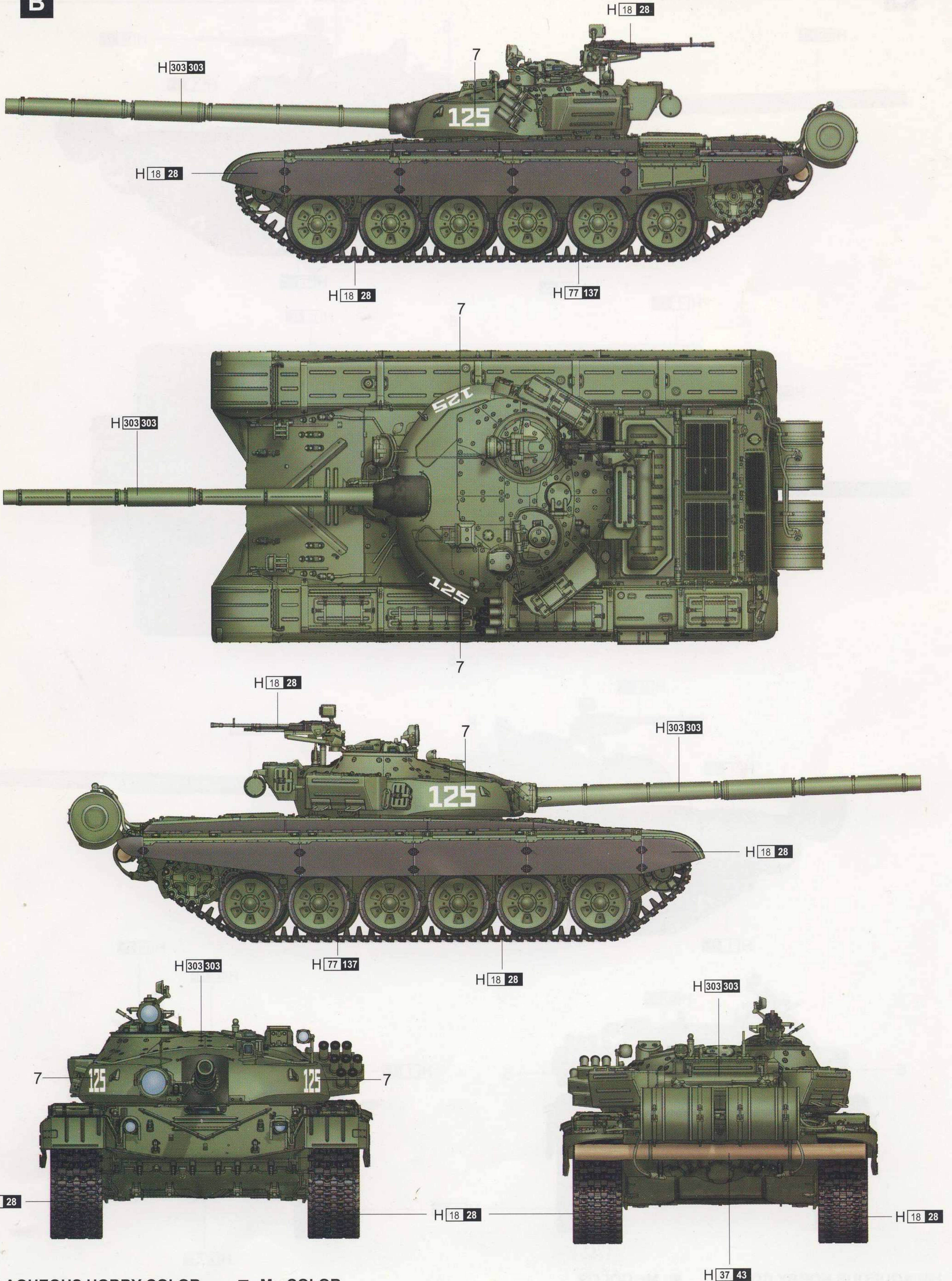
涂装同标贴指示

Painting & Marking guide

PAINT REFERENCE COLOUR

| Color | Mr.Hobby | Vallejo | Model Master | Tamiya | Humbrol |
|--------------------|-----------|---------|--------------|--------|---------|
| Metal Black 黑铁色 | H 18 28 | 864 | 1402 | - | - |
| Light Green 绿色 | H 303 303 | - | 1713 | XF20 | 117 |
| Tire Black 胎黑色 | H 77 137 | - | - | - | - |
| Wood Brown 木棕色 | H 37 43 | 983 | 1701 | - | 186 |

B



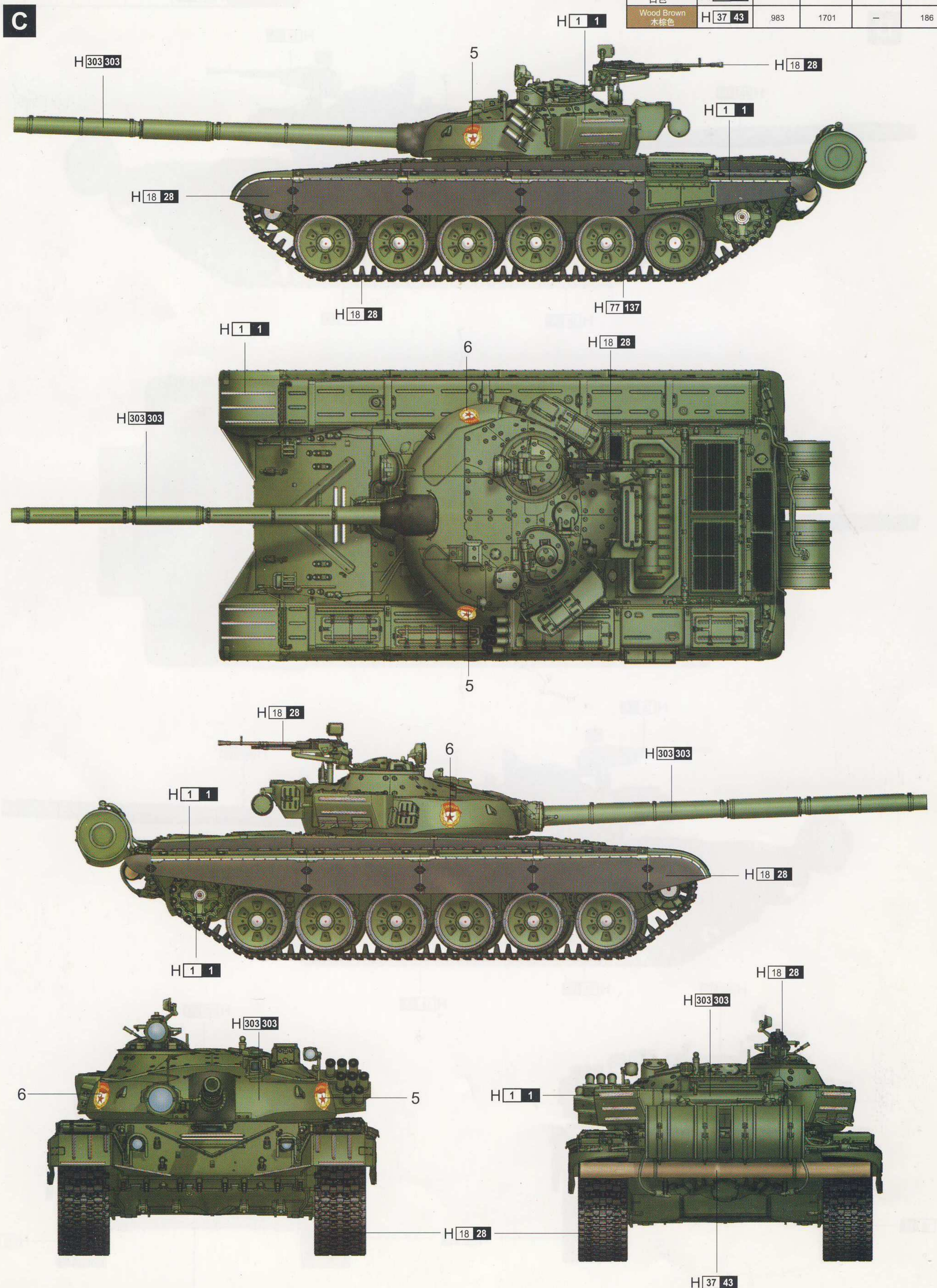
H AQUEOUS HOBBY COLOR ■ Mr. COLOR

涂装同标贴指示

Painting & Marking guide

PAINT REFERENCE COLOUR

| Color | Mr.Hobby | Vallejo | Model Master | Tamiya | Humbrol |
|--------------------|-----------|---------|--------------|--------|---------|
| Metal Black 黑铁色 | H 18 28 | 864 | 1402 | — | — |
| Light Green 绿色 | H 303 303 | — | 1713 | XF20 | 117 |
| Tire Black 胎黑色 | H 77 137 | — | — | — | — |
| White 白色 | H 1 1 | 842 | 1745 | XF2 | 22 |
| Wood Brown 木棕色 | H 37 43 | 983 | 1701 | — | 186 |



H AQUEOUS HOBBY COLOR ■ Mr. COLOR