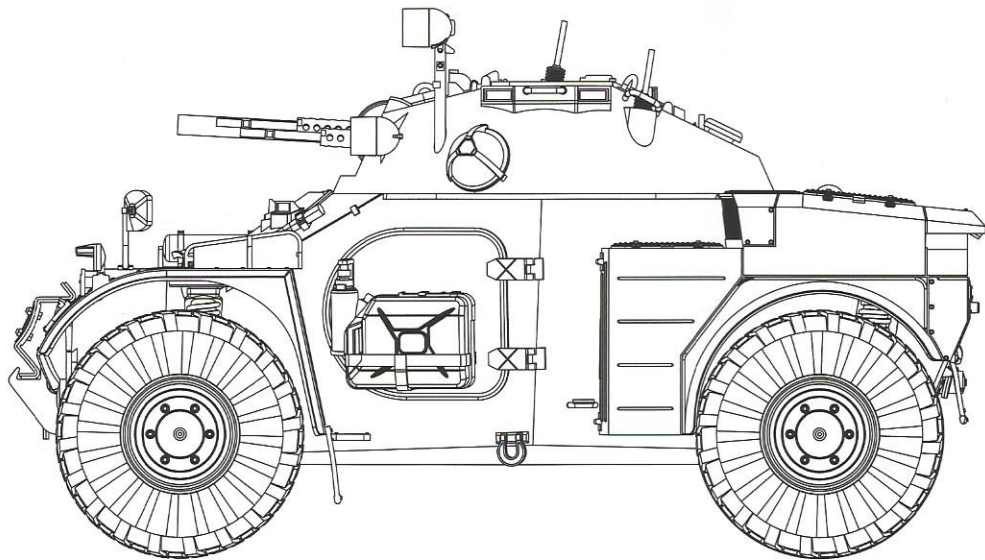


French Light Armoured Car

# AML-60



The French Panhard AML (Auto Mitralleuse Légère, or light armored car) is a 5.5 ton lightly armored welded steel 4x4 that first entered service in 1960. With some 4,000 units produced, the AML was developed into multiple specific variants, and was exported widely.

The AML-60 (also known as the AML HE 60-7) is armed with twin 7.62mm machine guns on the left and a breech-loading 60mm HB 60 mortar on the right. The vehicle has a crew of 3, and is powered by an 87hp 65-kW Panhard Model 4HD air-cooled petrol engine reaching speeds up to 90km/h (56mph) with a range of 600km (373 miles).

# READ BEFORE ASSEMBLY

## CAUTION

- Read carefully and fully understand the instructions before commencing assembly. A supervising adult should also read the instructions if a child assembles the model.
- When assembling this kit, tools including knives used. Extra care should be taken to avoid personal injury.
- Keep out of reach of small children. Children must not be allowed to suck any part, or pull vinyl bag over their heads.



Heating



Do Not Cement



Be Careful



Optional



Remove

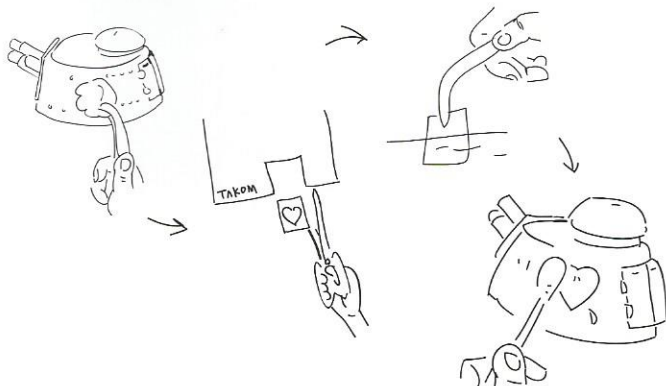
## PAINTS REQUIRED

Color info and profiles by Mig Jimenez

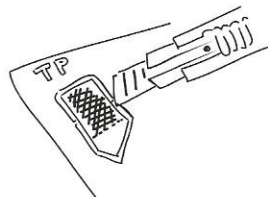
|           |                |           |                         |           |            |           |                  |
|-----------|----------------|-----------|-------------------------|-----------|------------|-----------|------------------|
| A.MIG 023 | Rubber & Tires | A.MIG 038 | Old Wood                | A.MIG 040 | Cum Metal  | A.MIG 085 | Crystal Red      |
| A.MIG 024 | Crystal Glass  | A.MIG 098 | Crystal Periscope Green | A.MIG 182 | Silver     | A.MIG 030 | Sand Yellow      |
| A.MIG 081 | US Olive Drab  | A.MIG 039 | Desert Sand             | A.MIG 022 | Deep Green | A.MIG 087 | RAL 6014 Galboly |

## APPLYING DECALS

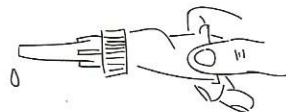
1. Clean the model surface with a wet cloth.
2. Cut out each decal design from sheet, and dip it in tepid water for 15-20 sec.
3. Hold the backing sheet edge and slide decal onto the model.
4. Move decal into position by wetting decal with finger.
5. Press decal gently down with a soft cloth until excess water and air bubbles are gone.



## REMOVING PE



Be careful not to hurt when removing PE parts.

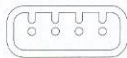
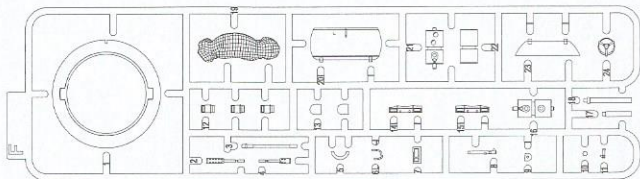
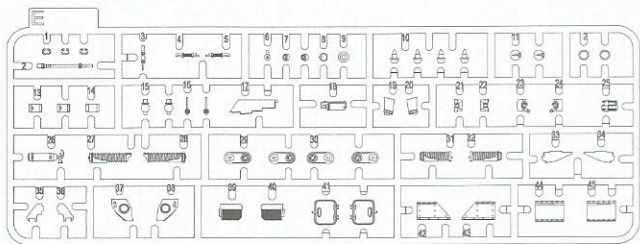


Secure using instant glue (not included).



Finish using file.

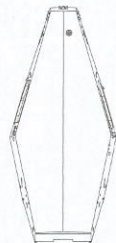
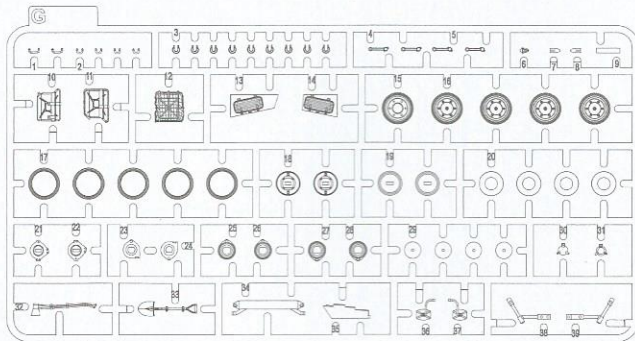
# PARTS



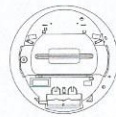
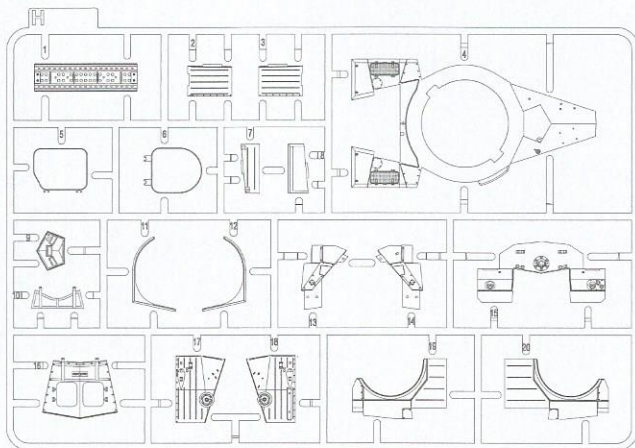
Tire X5



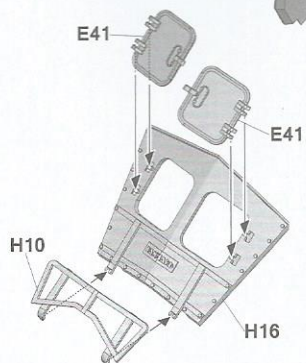
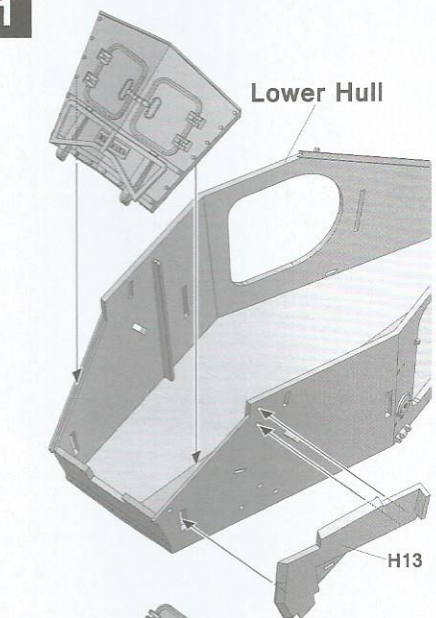
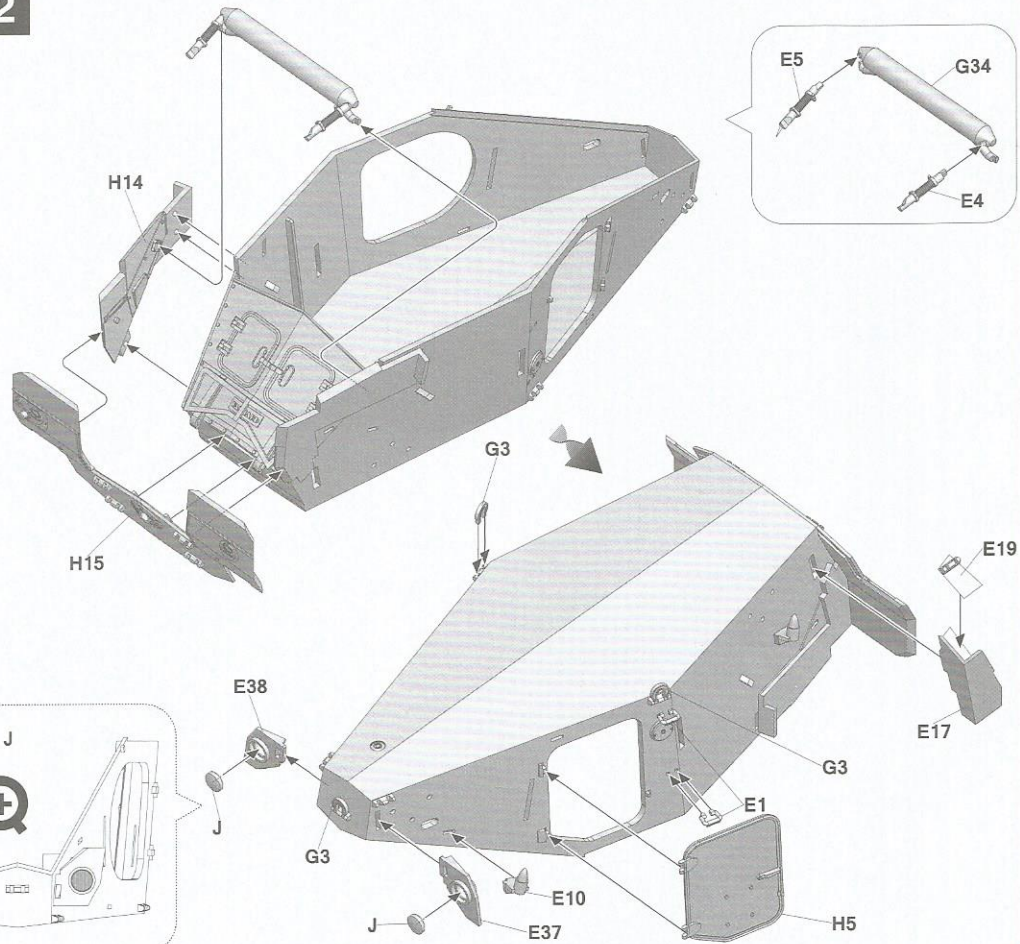
Decal



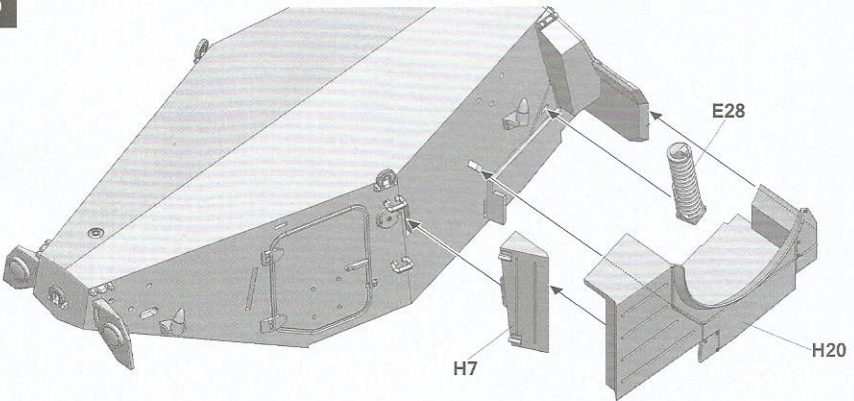
Lower Hull



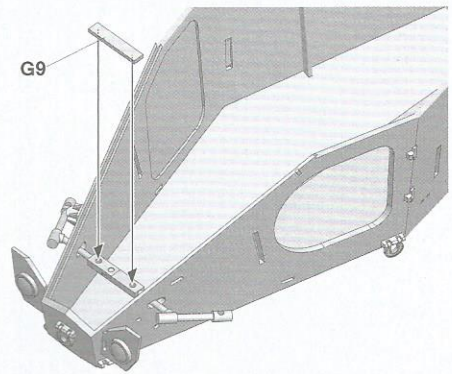
Turret

**1****2****3**

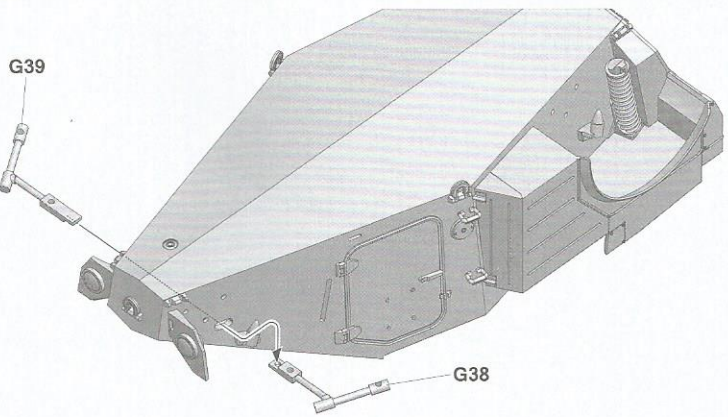
3



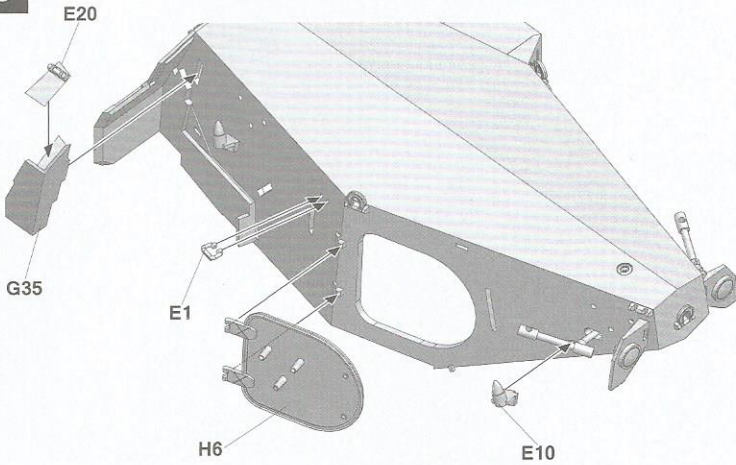
5



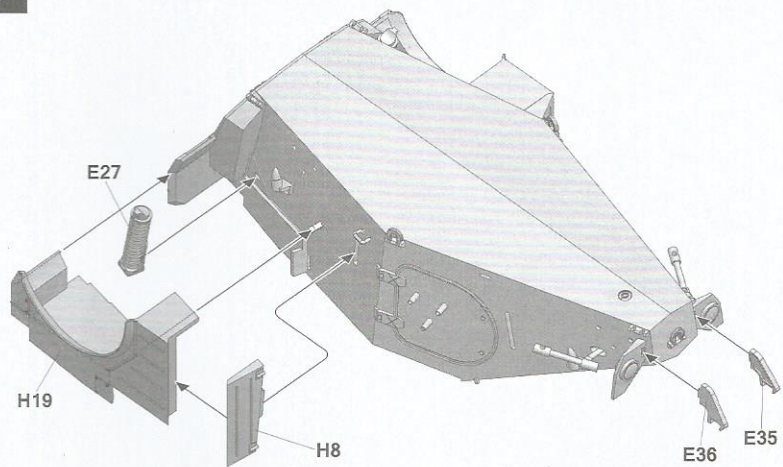
4



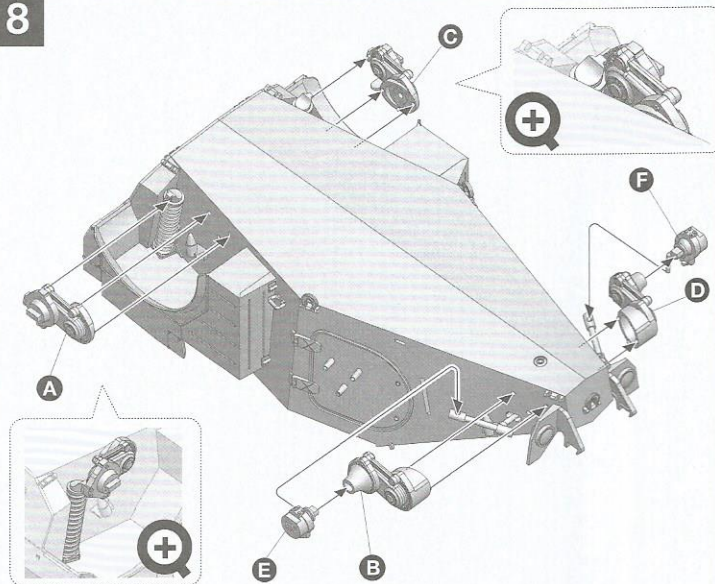
6



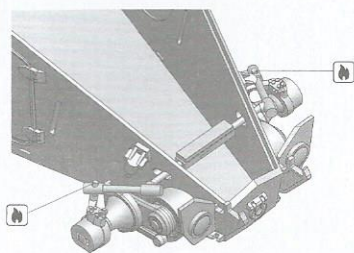
7



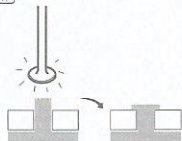
8



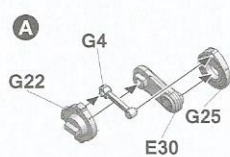
9



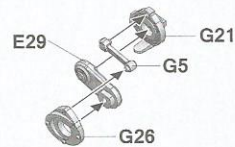
 Flatten with a heated screw driver etc.



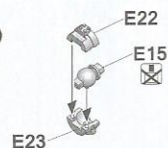
A



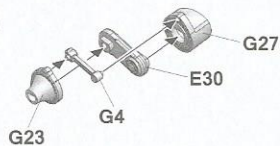
C



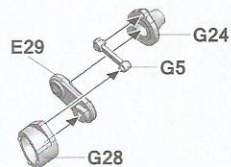
E



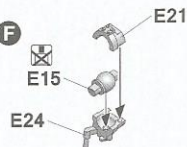
B

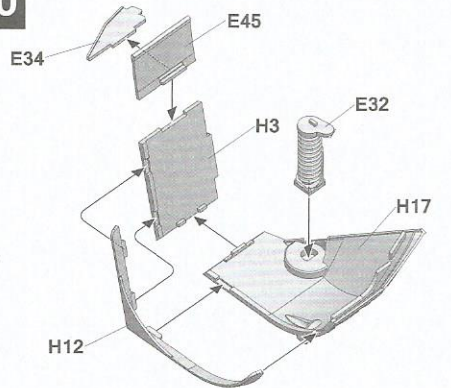
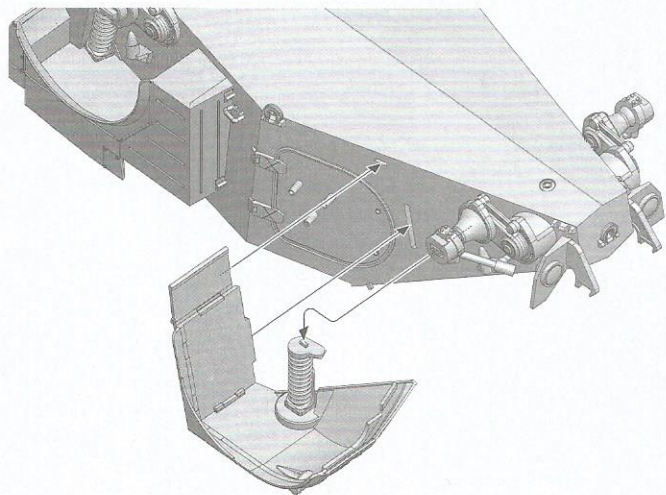
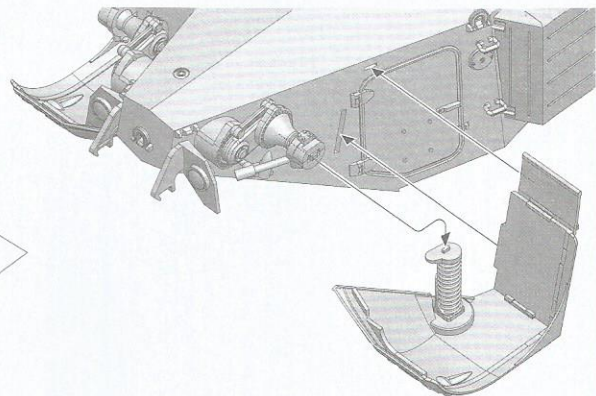
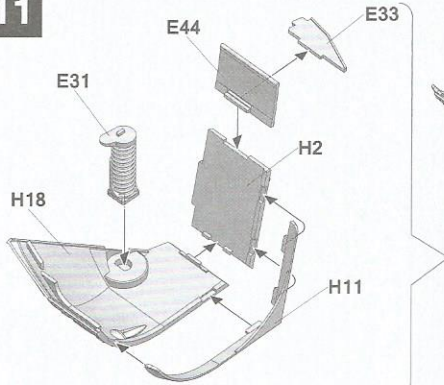
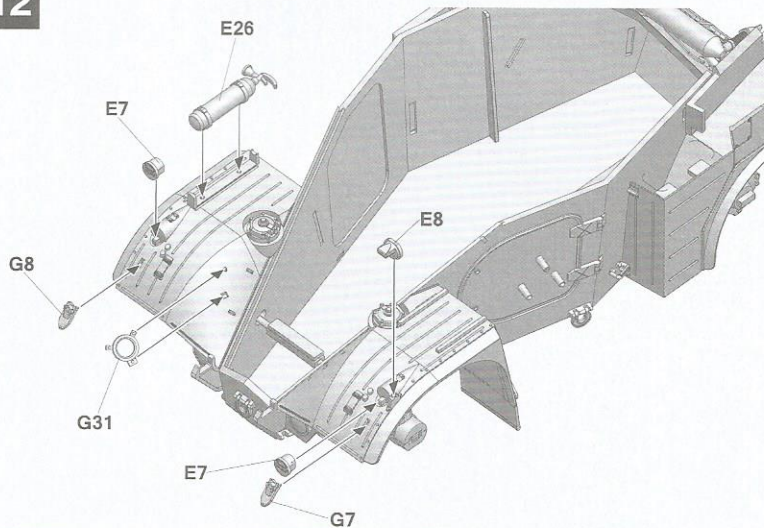


D

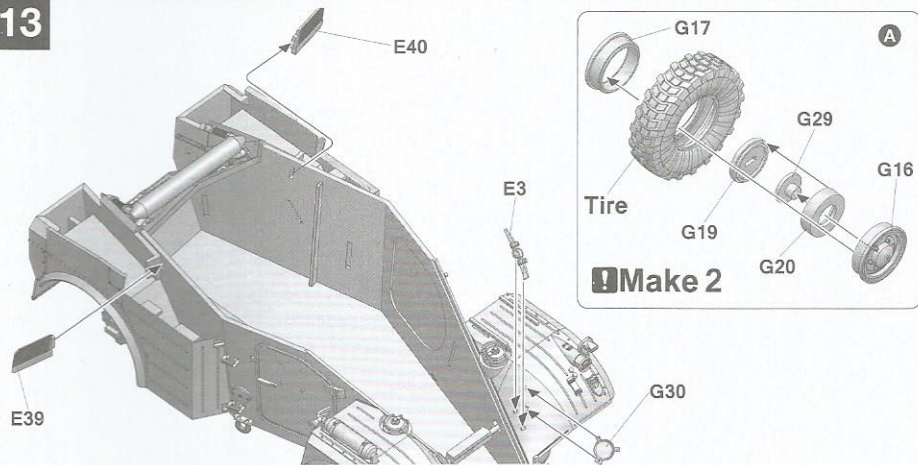


F

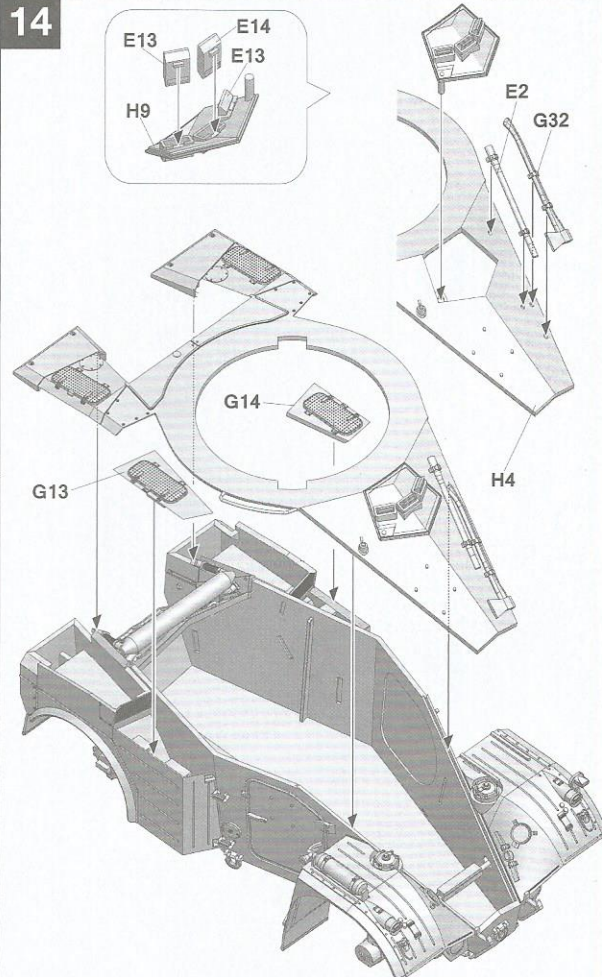


**10****11****12**

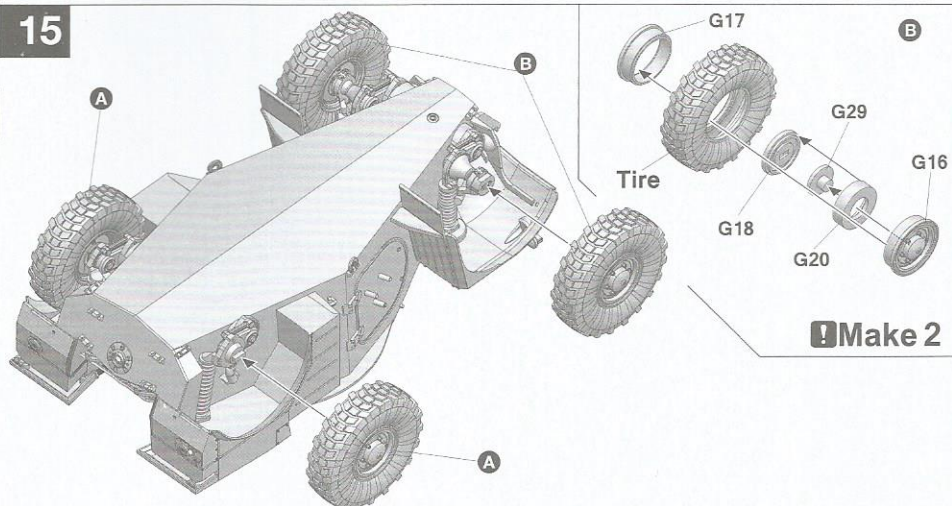
13



14

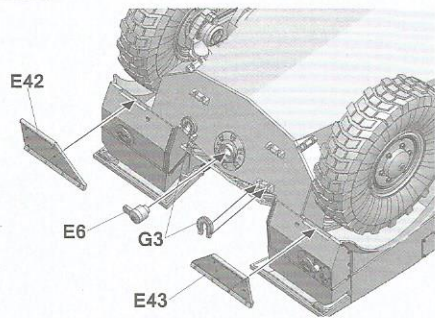


15

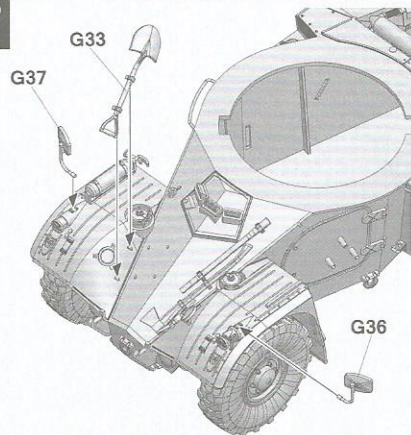




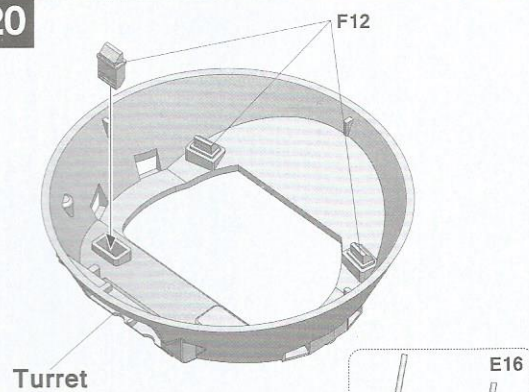
16



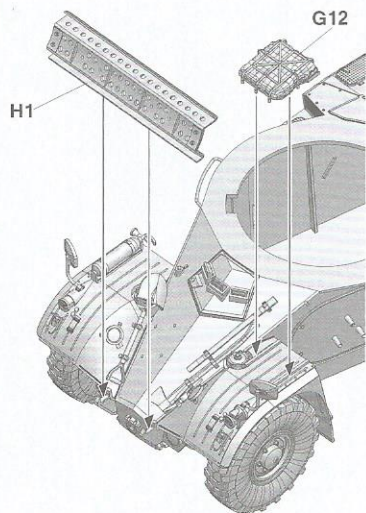
17



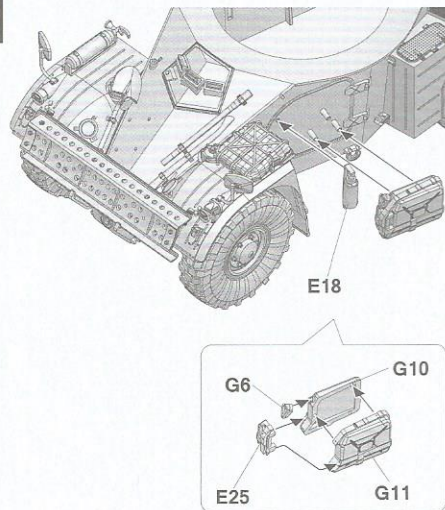
20



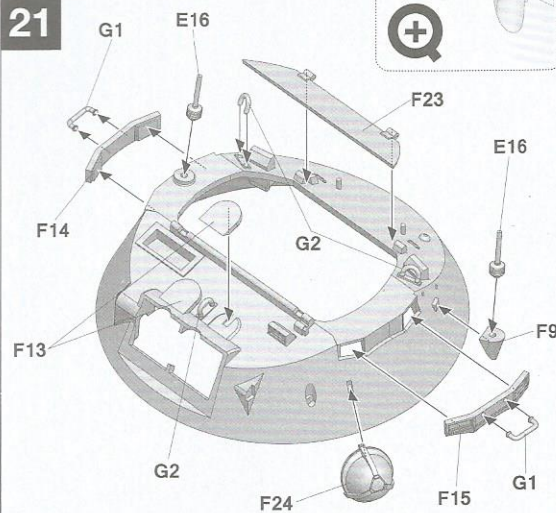
18



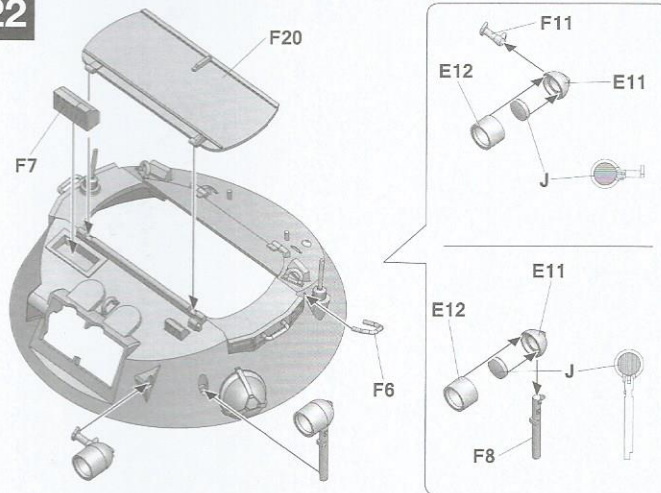
19



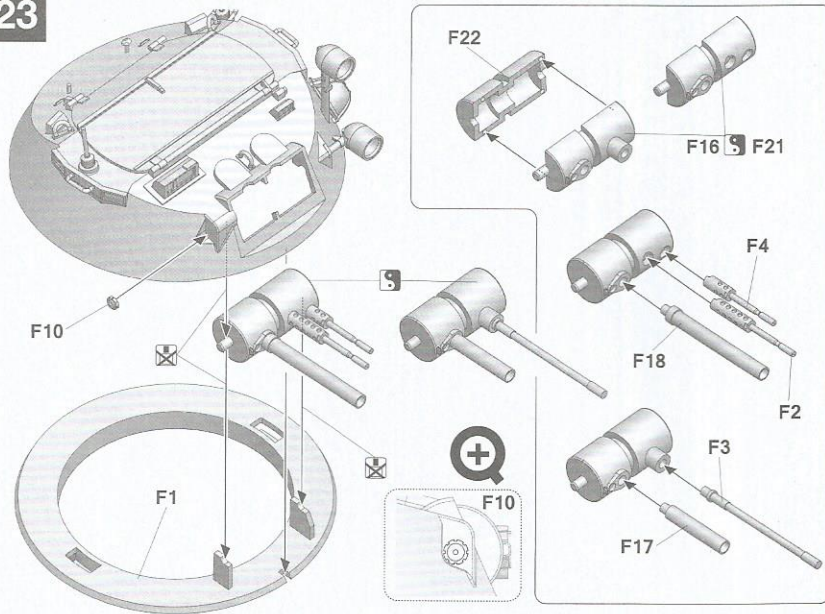
21



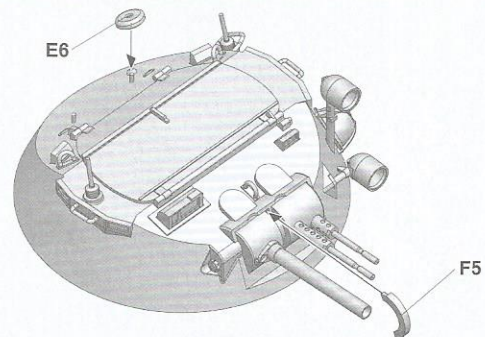
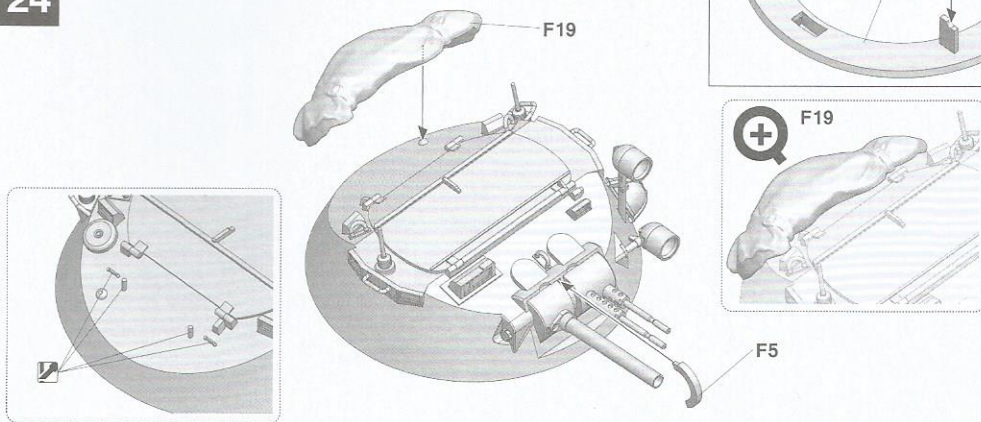
22

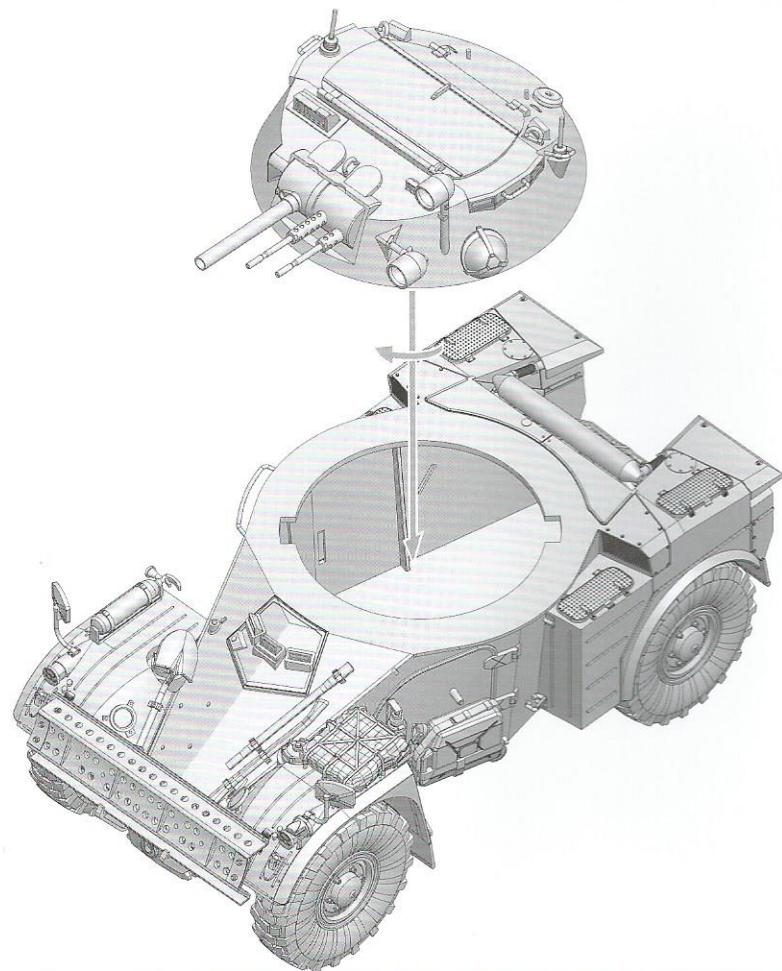


23



24

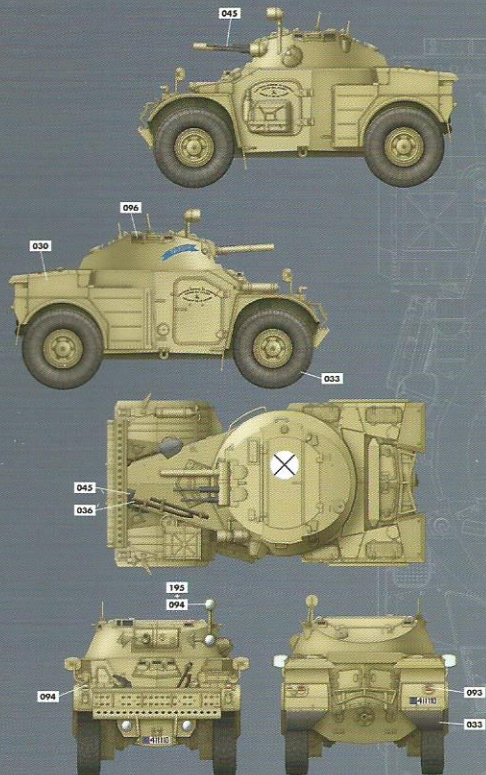




## Painting and Marking Guide

|                                |   |                           |                             |
|--------------------------------|---|---------------------------|-----------------------------|
| <b>AJMO 033</b> Rubber & Tires | <b>AJMO 036</b> Old Wood                | <b>AJMO 045</b> Gun Metal | <b>AJMO 093</b> Crystal Red |
| <b>AJMO 094</b> Crystal Glass  | <b>AJMO 096</b> Crystal Persimmon Green | <b>AJMO 193</b> Silver    | <b>AJMO 038</b> Sand Yellow |

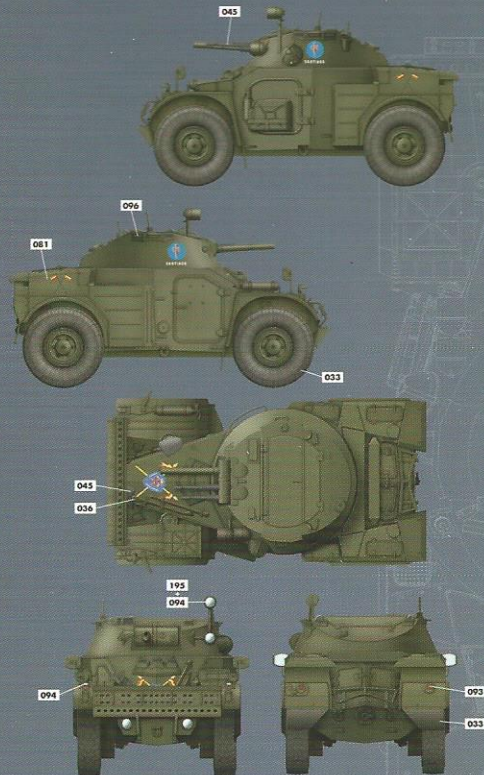
GLSh (Grupo Ligero Sahariano) II,  
IV Tercio "Alejandro Fomiesio", Spanish Legion,  
Sahara, early 70s.



## Painting and Marking Guide

|                                |   |                           |                               |
|--------------------------------|---|---------------------------|-------------------------------|
| <b>AJMO 033</b> Rubber & Tires | <b>AJMO 036</b> Old Wood                | <b>AJMO 045</b> Gun Metal | <b>AJMO 093</b> Crystal Red   |
| <b>AJMO 094</b> Crystal Glass  | <b>AJMO 096</b> Crystal Persimmon Green | <b>AJMO 193</b> Silver    | <b>AJMO 081</b> US Olive Drab |

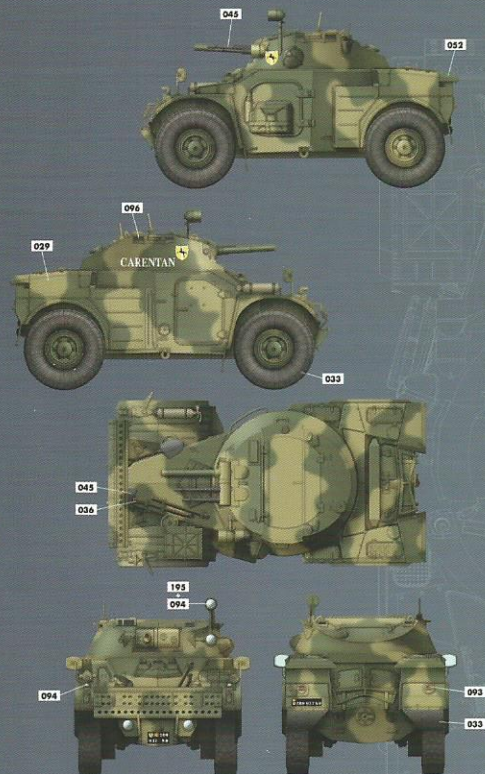
GLSh (Grupo Ligero Sahariano) II,  
IV Tercio "Alejandro Fomiesio", Spanish Legion,  
Sahara, early 70s.



## Painting and Marking Guide

|                                |   |                           |                             |
|--------------------------------|---|---------------------------|-----------------------------|
| <b>AMIG 033</b> Rubber & Tires | <b>AMIG 030</b> Old Wood                | <b>AMIG 045</b> Gun Metal | <b>AMIG 093</b> Crystal Red |
| <b>AMIG 094</b> Crystal Glass  | <b>AMIG 096</b> Crystal Periscope Green | <b>AMIG 195</b> Silver    | <b>AMIG 029</b> Desert Sand |
| <b>AMIG 052</b> Deep Green     |   |                           |                             |

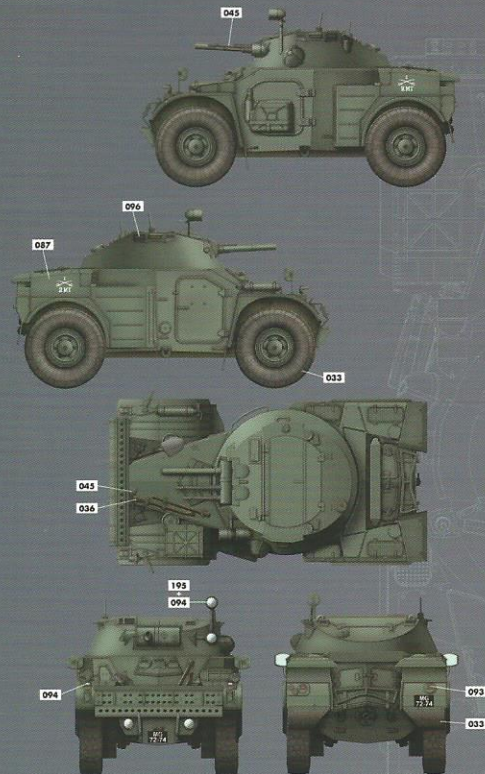
French Army



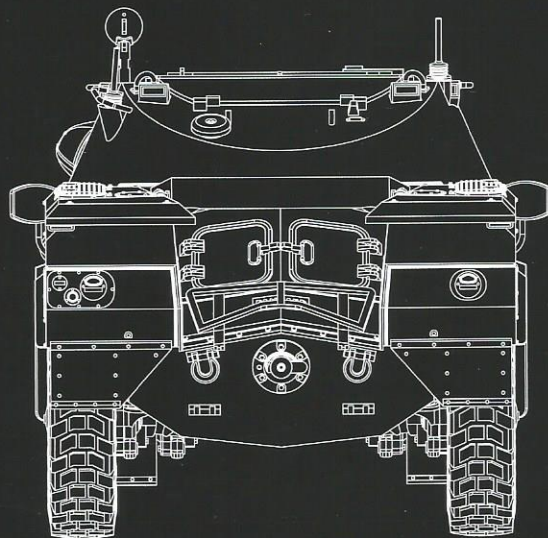
## Painting and Marking Guide

|                                |   |                           |                                  |
|--------------------------------|---|---------------------------|----------------------------------|
| <b>AMIG 033</b> Rubber & Tires | <b>AMIG 030</b> Old Wood                | <b>AMIG 045</b> Gun Metal | <b>AMIG 093</b> Crystal Red      |
| <b>AMIG 094</b> Crystal Glass  | <b>AMIG 096</b> Crystal Periscope Green | <b>AMIG 195</b> Silver    | <b>AMIG 087</b> PAL 6014 Gelbock |

Portuguese Army



2017/2084



You can find TAKOM on Facebook.com