



# F3H-2 Demon

F3H-2 デーモン

美国F3H-2 “恶魔”

## PLEASE READ BEFORE OPERATION!

- \* Tools recommended as below: (Not included)  
Adhesives; Paints; Side Cutters; Sharp Edged Pliers; Modeling Knife; Modeling File; Nippers; Drill; Scissors; Sand Paper; Soft Cloth; Cyanoacrylate Glue.
- \* Make sure to read this instruction listed below before assembling.
- \* The kit contains the small parts, they can be dangerous if swallowed by mistake, so keep them away from reach of children.
- \* Cut the all parts off carefully and remove the waste parts into the garbage can.
- \* More caution and care should be needed for cutting and handling the photo etched parts.
- \* Make attention that some parts should be attached the decal when assembled.
- \* During assembling, please tear up and throw away the plastic bags, or may cause the dangerous if wearing over head by children's mistake.
- \* When using the adhesives and paints, please do not use them in the closed room or near the fire, also must be very careful to protect your eyes, face and clothes.
- \* Adult supervised when assembled by children under 14 years old.

## 装配前请仔细阅读:

- \* 推荐使用的模型工具(请自备):  
专用模型胶水, 专用模型油漆, 水口剪刀, 长阻钳, 刀片, 锉刀, 镊子钳, 钻, 剪刀, 软布, 砂纸, 瞬间快干胶等。
- \* 用水口剪刀或刀片小心切下所有塑胶零件和蚀刻片零件, 不要遗失小零件。
- \* 切取蚀刻片时应特别注意防止利边划伤手指。
- \* 用模型锉刀小心锉平所有零件表面的注射浇口。
- \* 用适量的强力快干胶水粘合蚀刻片零件和金属轴, 切忌过量, 否则可能导致可动零件被粘住。
- \* 注意某些零件表面需在装配时同步贴水上贴纸。
- \* 制作时应远离幼儿并将包装袋及时收妥, 谨防小孩玩耍而引起意外。



cyanoacrylate glue  
强力胶



weight  
配重



make hole  
钻孔



cut / remove  
切除



option  
选择



no cement  
不涂胶水



decal  
贴纸



bend  
弯曲



repair  
填补

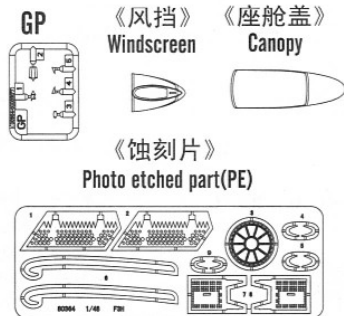
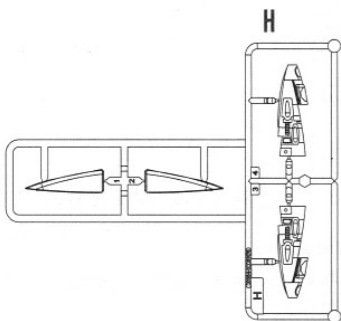
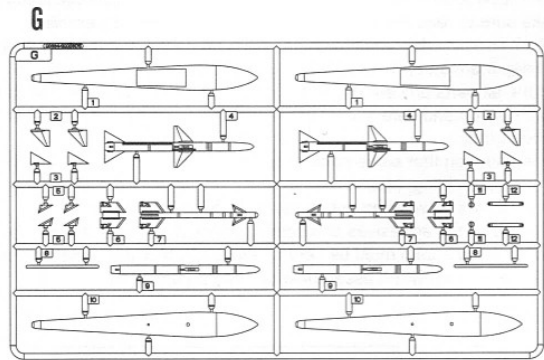
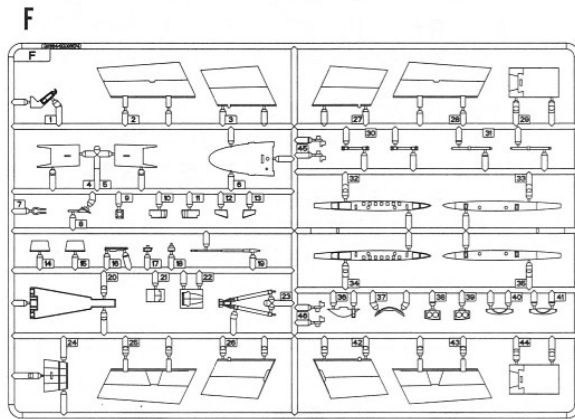
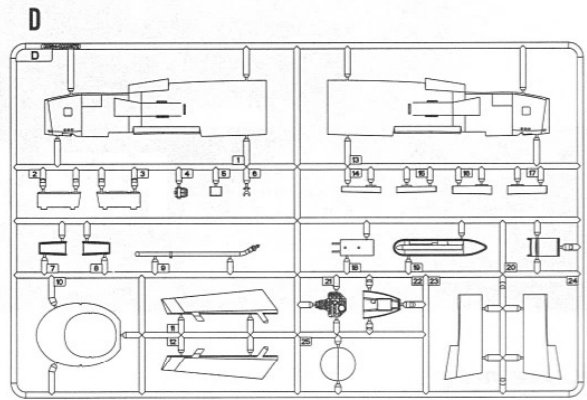
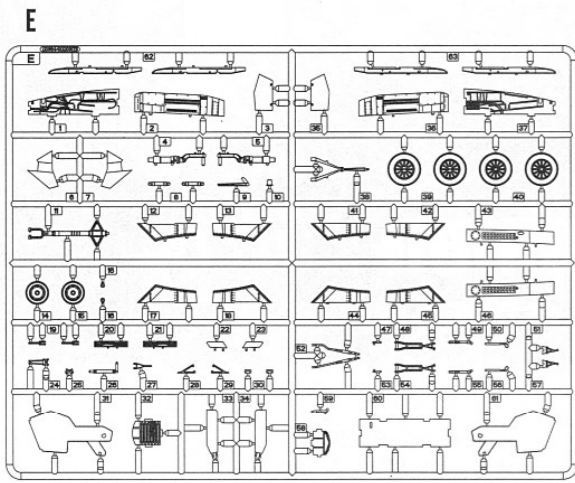
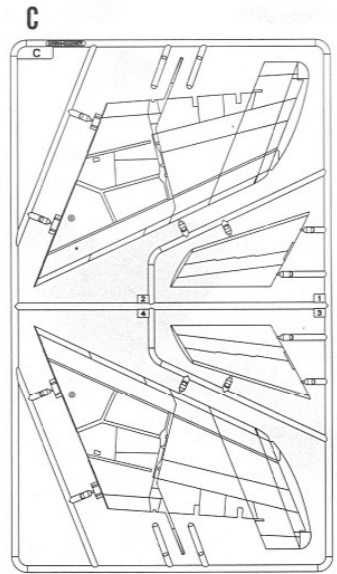
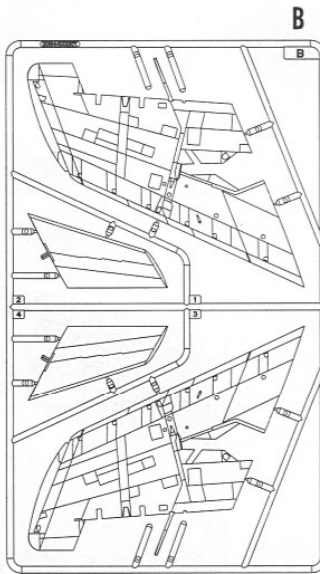
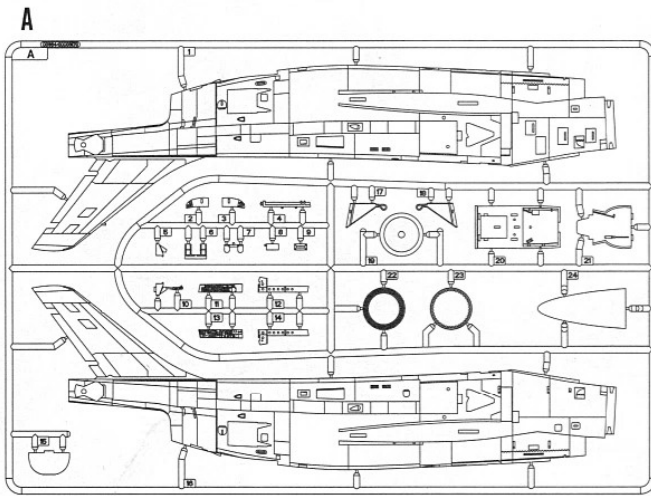
## The method to apply the decals

1. Cut off the decal from the decal paper and put it into the warm water 40°C for 10 seconds.
2. Take the decal from the water and put it on a piece of clean cloth.
3. Remove the decal slowly from the paper to the targeted location by a wet finger.
4. Use a piece of dry and soft cloth to press it gently on the decal until it getting dry and no bubble existing.

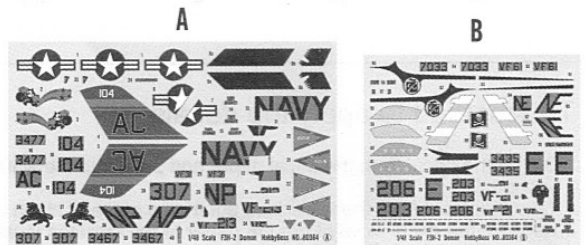
## 水贴纸的使用方法:

- 一. 把相关的印花从水贴上剪下, 放入40°C左右的温水中浸10秒。
- 二. 然后将印花放在干净的布上。
- 三. 拿上印花纸板, 手指蘸水将印花移到适当的位置。
- 四. 用软干布轻压印花直至水干, 气泡消失。

部品图 Parts



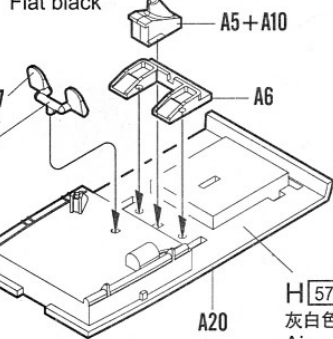
《水贴》  
Decal



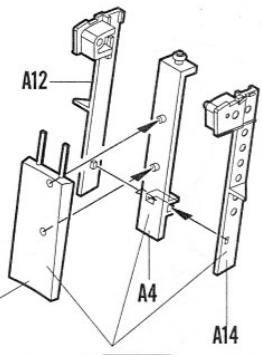
**1**  
STEP

《座舱》  
Cockpit

H 8 8  
银色  
Silver

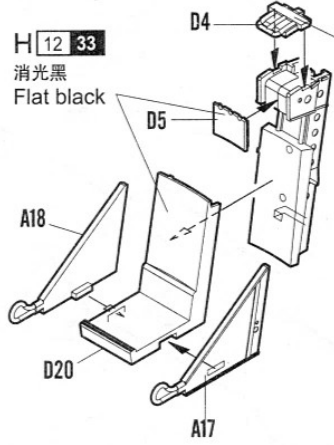


H 57 73  
灰白色  
Aircraft Gray

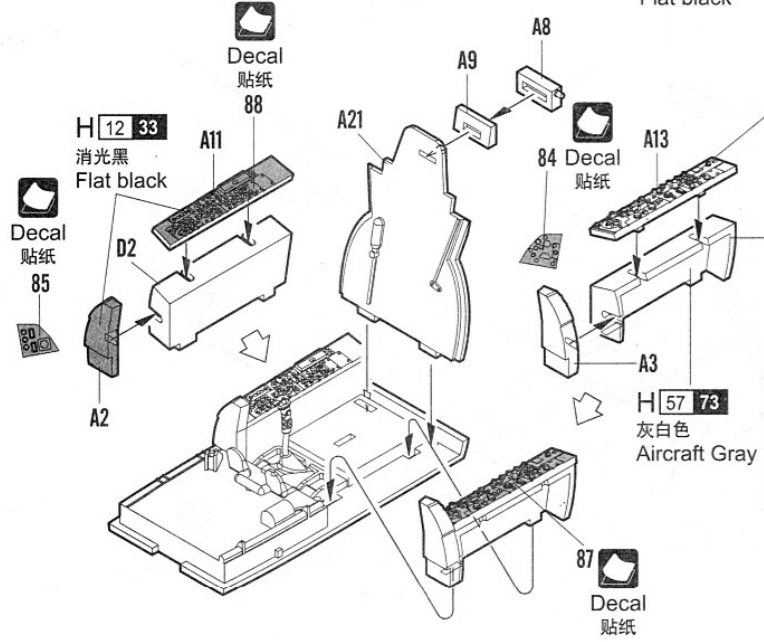


H 12 33  
消光黑  
Flat black

H 12 33  
消光黑  
Flat black

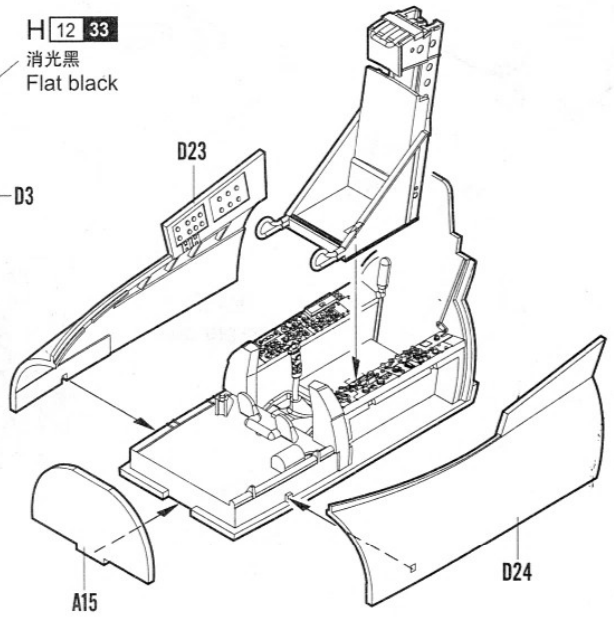


H 4 4  
黄色  
Yellow



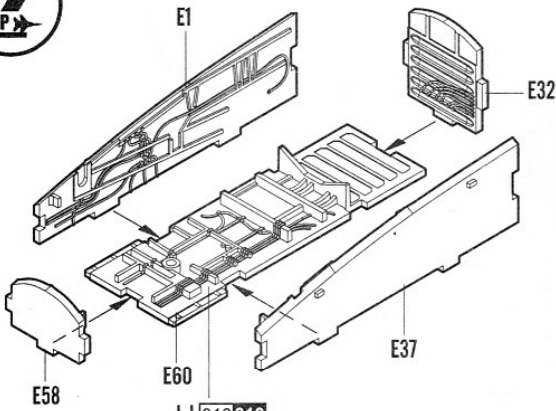
H 12 33  
消光黑  
Flat black

H 57 73  
灰白色  
Aircraft Gray

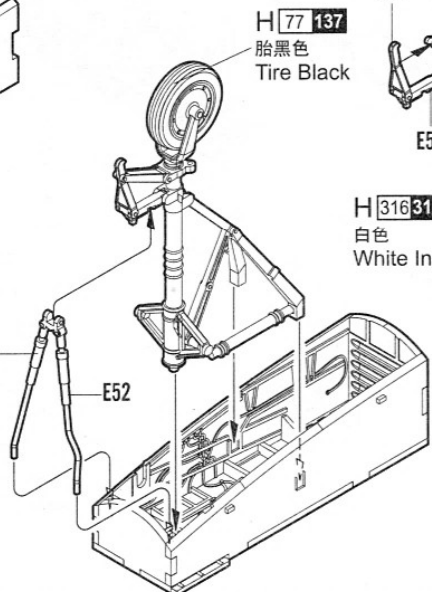


**2**  
STEP

《前轮舱》  
Nose gear cabin



H 316 316  
白色  
White Insignia



H 8 8  
银色  
Silver

H 316 316  
白色  
White Insignia

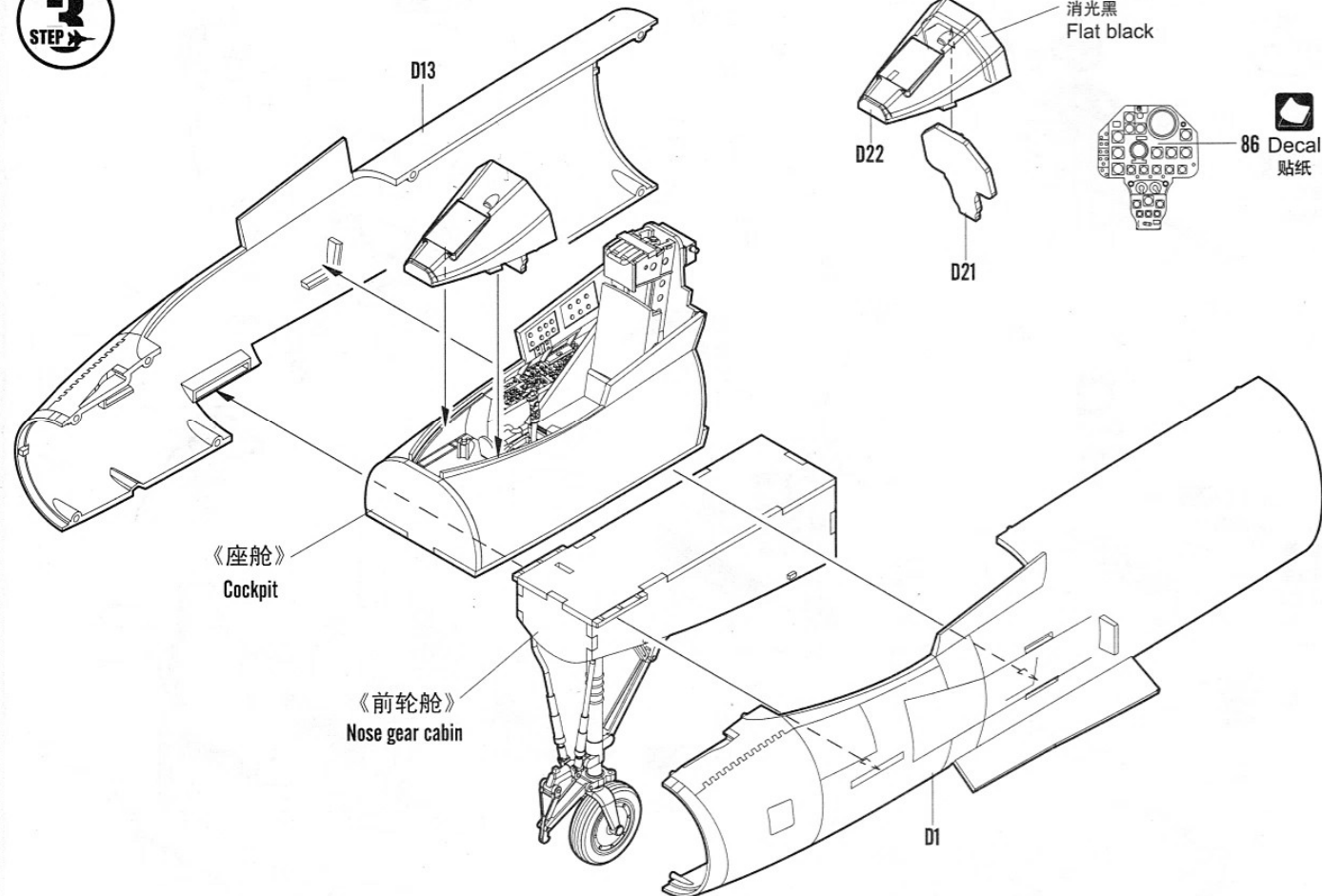
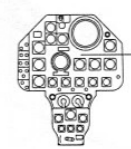
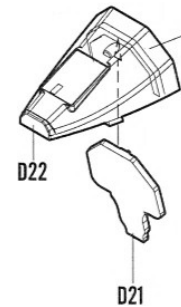
H 77 137  
胎黑色  
Tire Black

H 316 316  
白色  
White Insignia

**3**  
STEP

H 12 33  
消光黑  
Flat black

86 Decal  
贴纸



《座舱》  
Cockpit

《前轮舱》  
Nose gear cabin

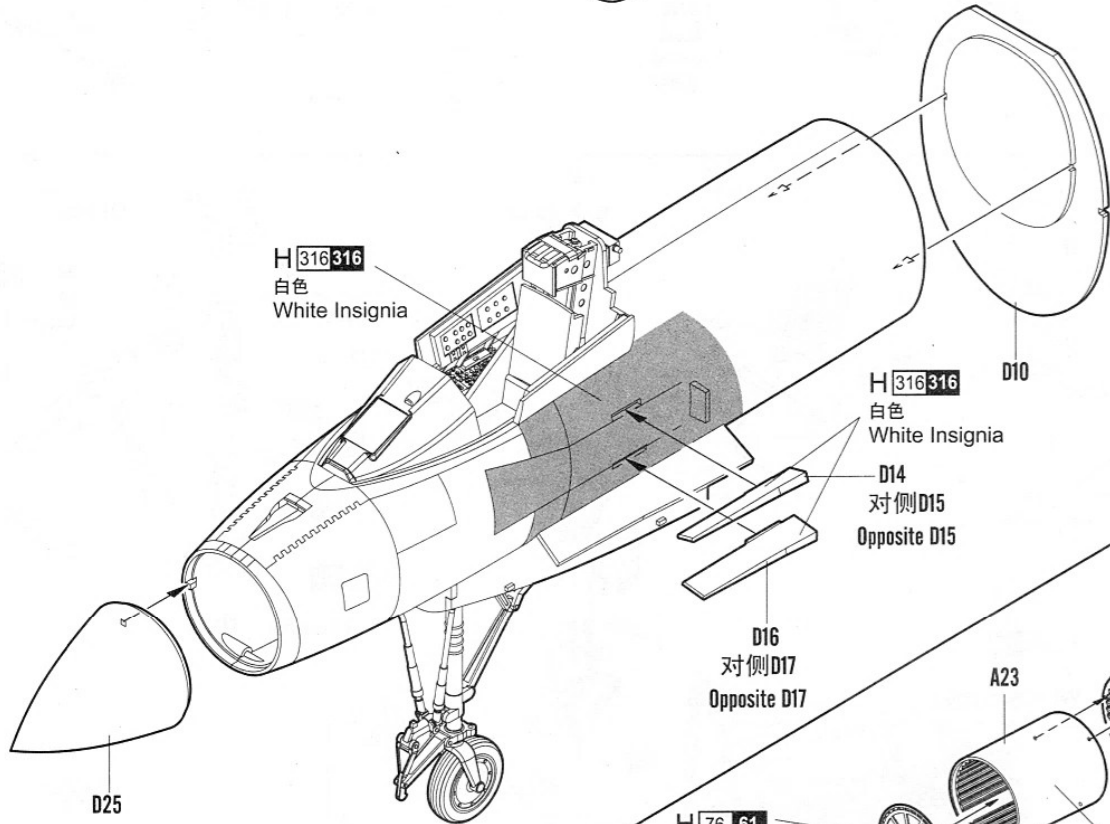
D1

H 316 316  
白色  
White Insignia

H 316 316  
白色  
White Insignia

D14  
对侧 D15  
Opposite D15

《发动机》  
Engine



D25

D16  
对侧 D17  
Opposite D17

H 76 61  
烧铁色  
Burnt Iron

H 76 61  
烧铁色  
Burnt Iron

A19

PE3

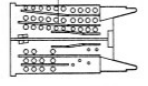
A23

A22

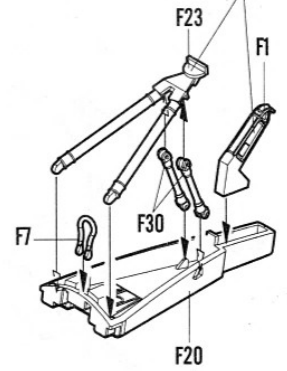




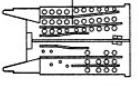
H 316316  
白色  
White Insignia



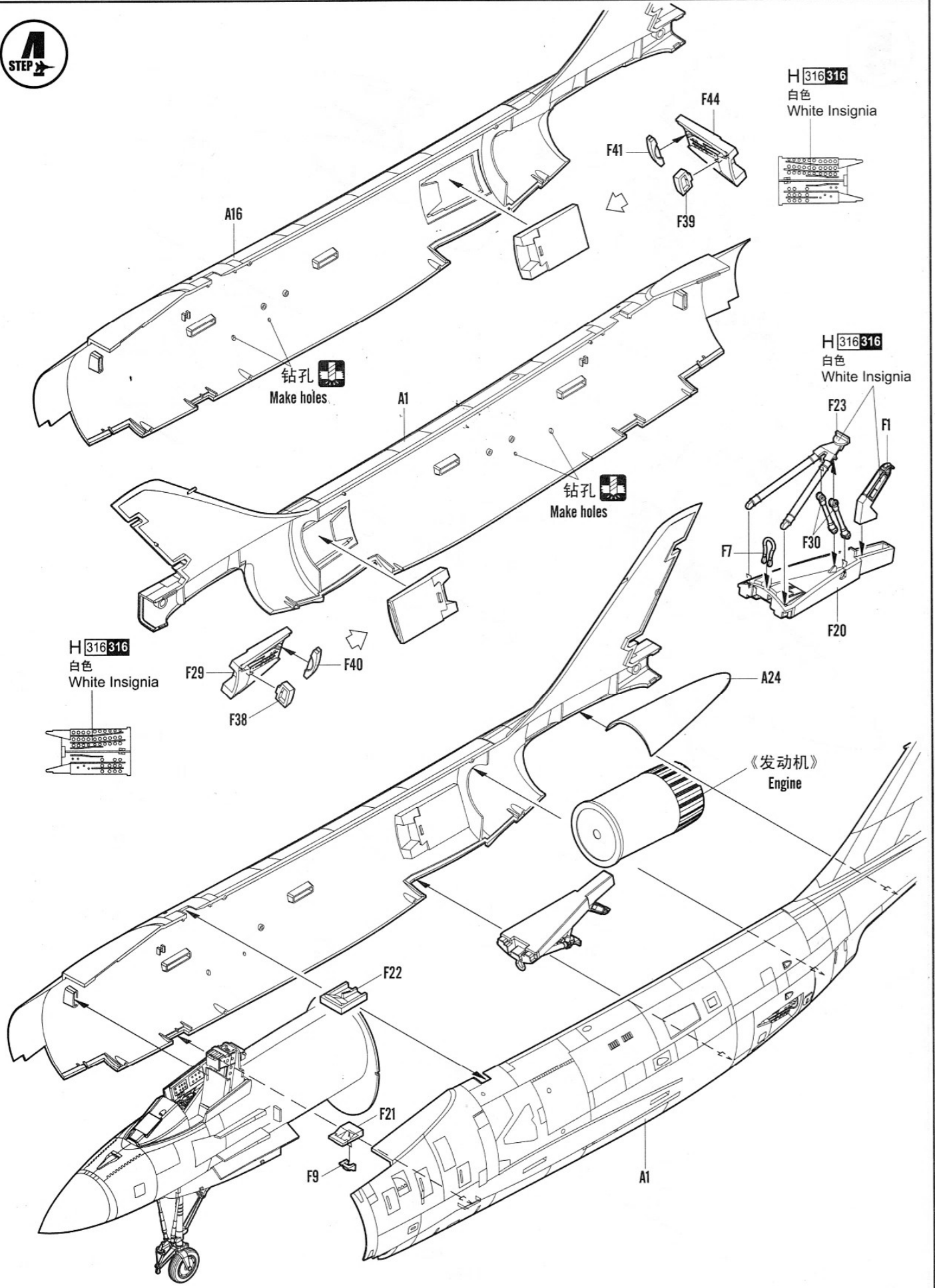
H 316316  
白色  
White Insignia



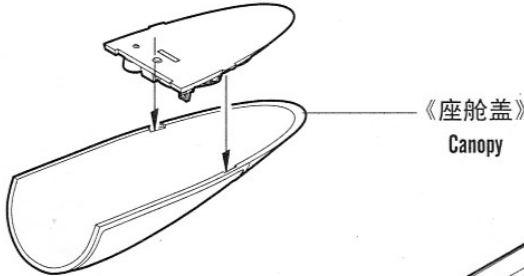
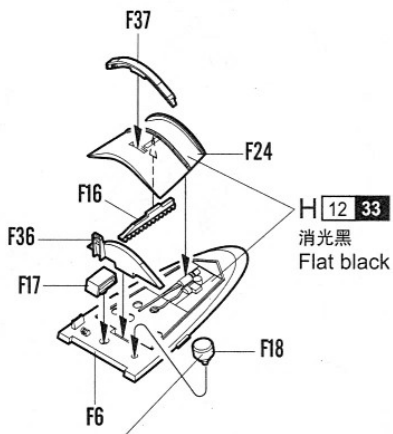
H 316316  
白色  
White Insignia



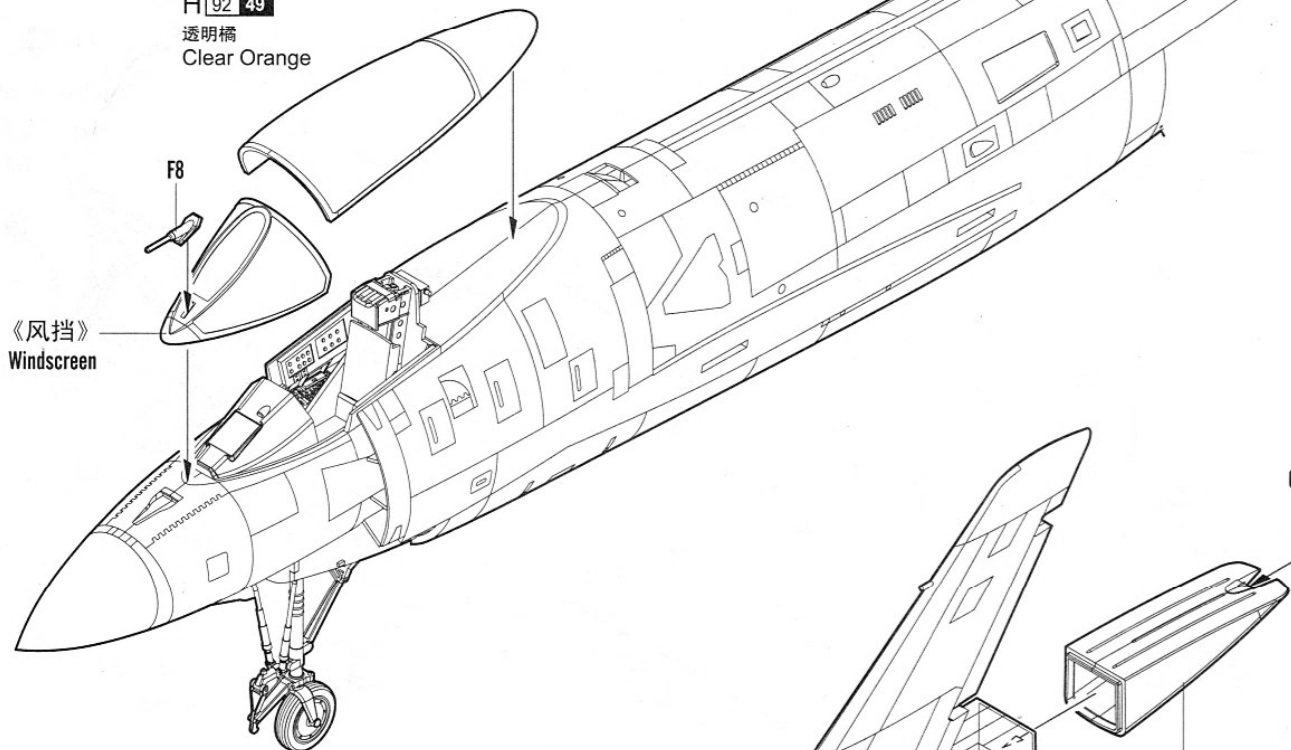
《发动机》  
Engine



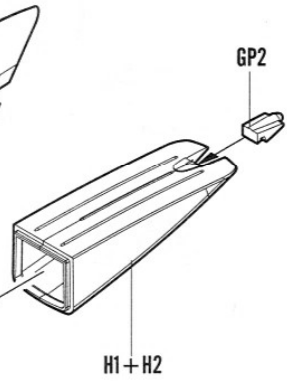
5  
STEP



H 92 49  
透明橘  
Clear Orange



对侧D7  
Opposite D7  
D8



H 316 316  
白色  
White Insignia

F31 对侧相同  
Both sides

H 8 8  
银色  
Silver

F4 对侧F5  
Opposite F5

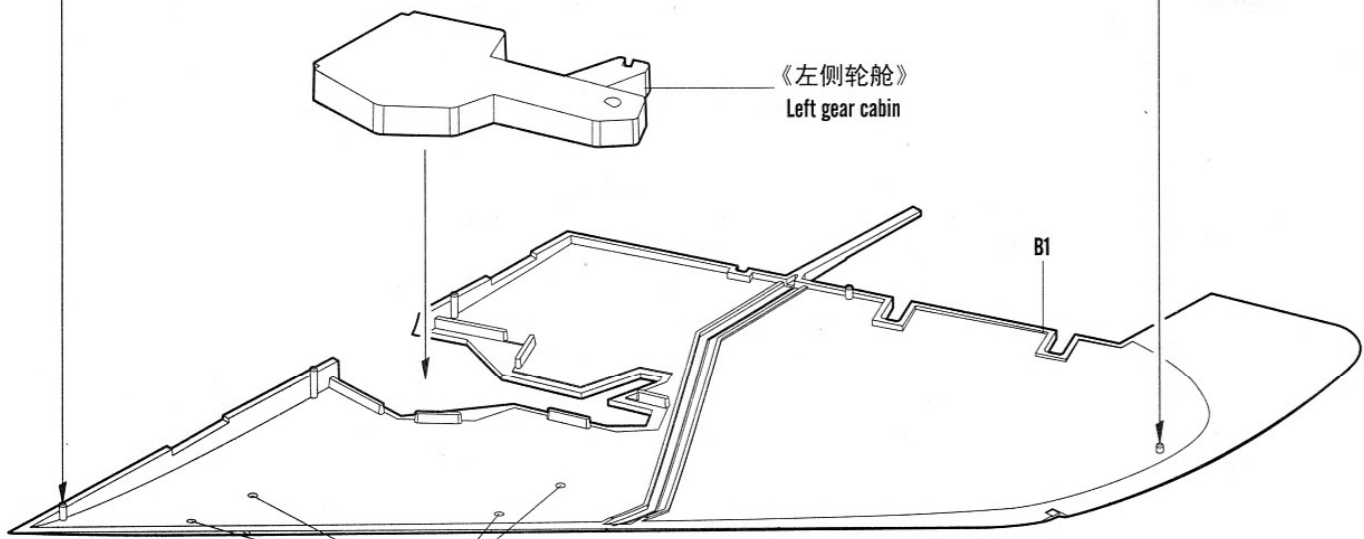
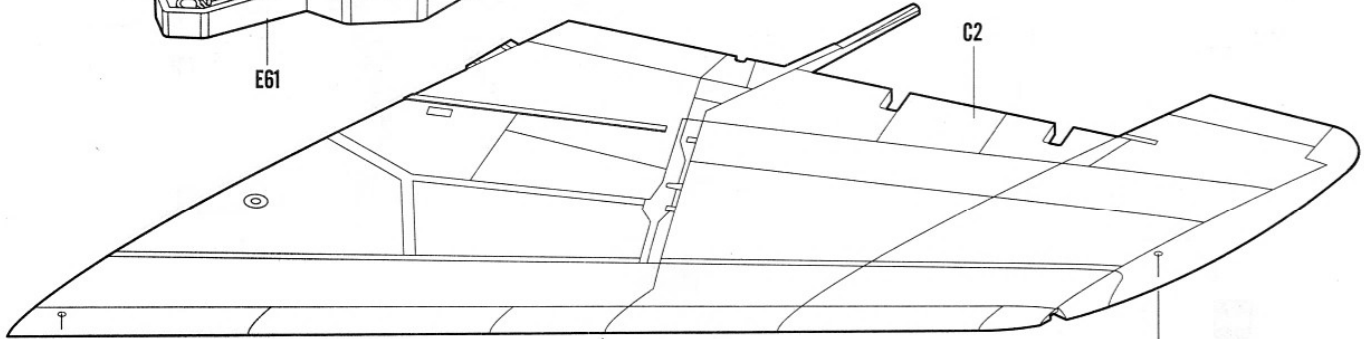
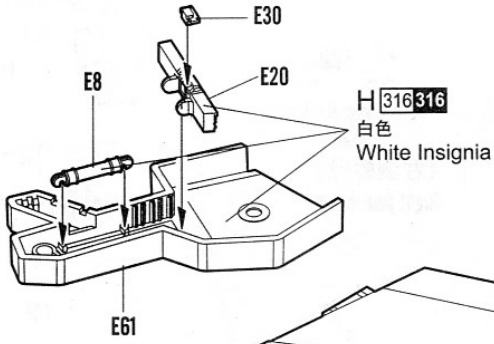
H 327 327  
红色  
Insignia Red

PE7 对侧PE8  
Opposite PE8

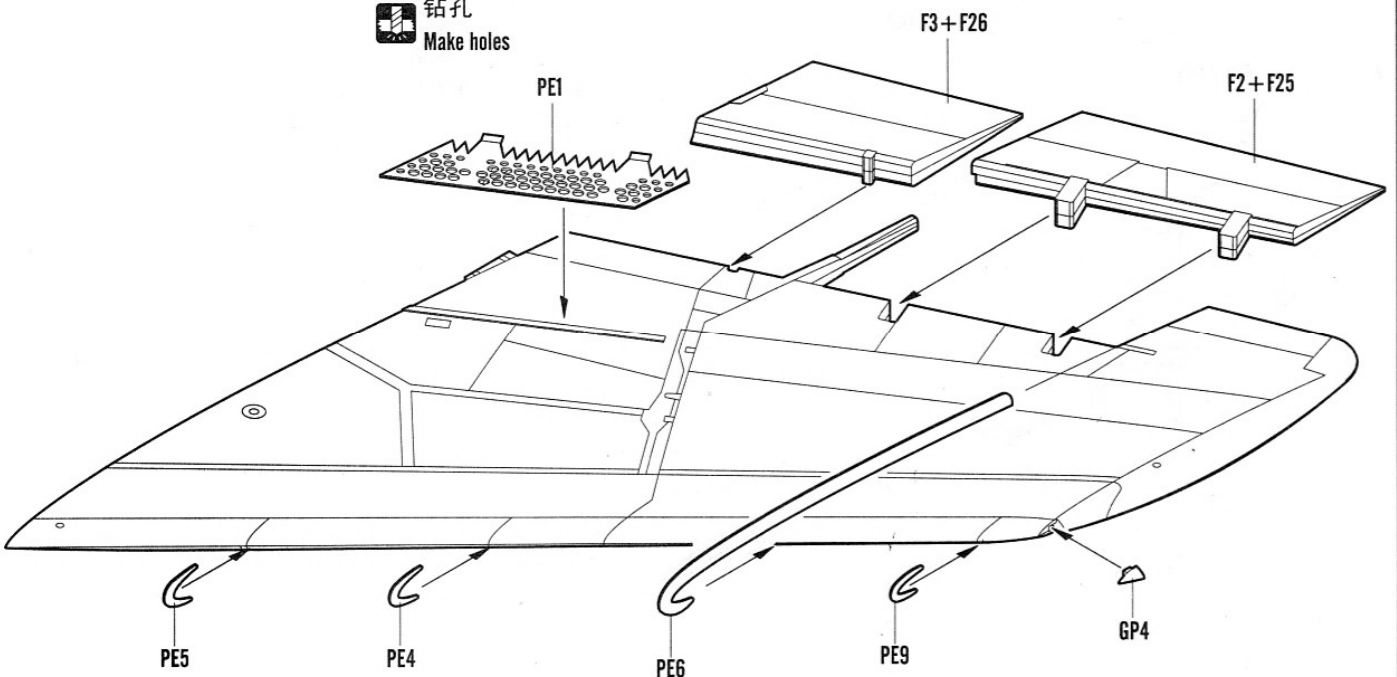


《左侧机翼》  
Left wing

《左侧轮舱》  
Left gear cabin



钻孔  
Make holes



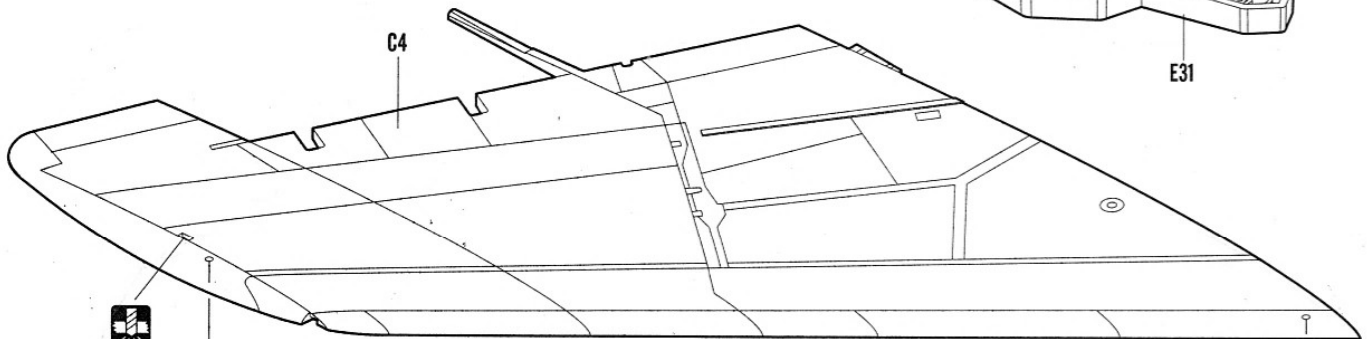
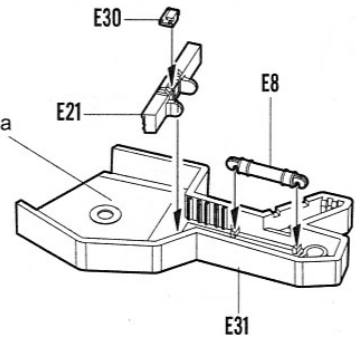


《右侧机翼》  
Right wing

H 316 316

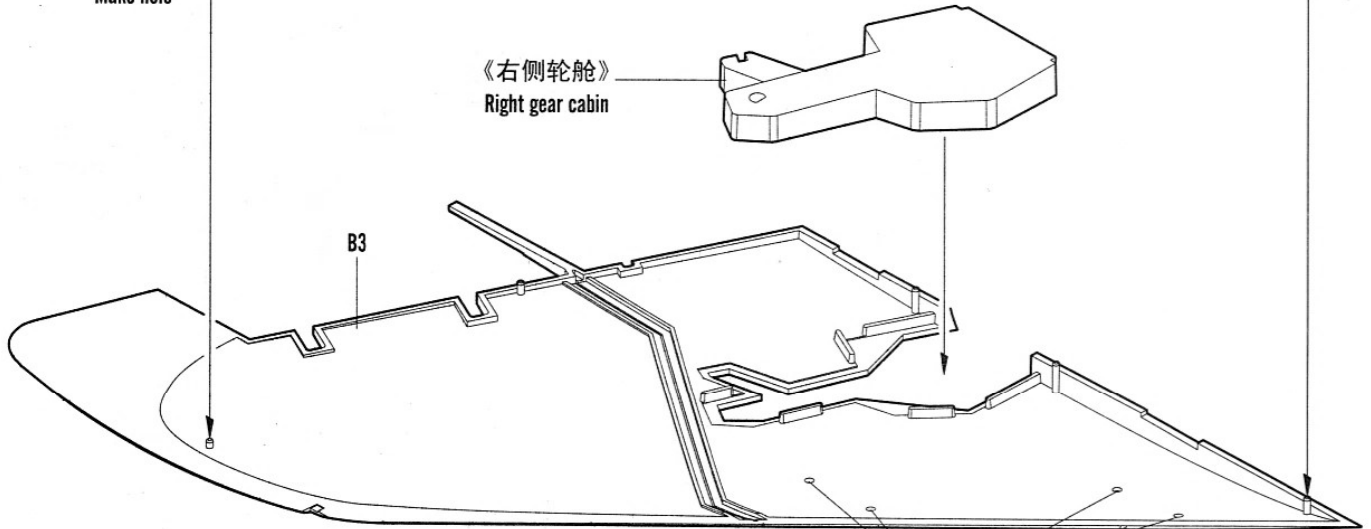
白色  
White Insignia

《右侧轮舱》  
Right gear cabin

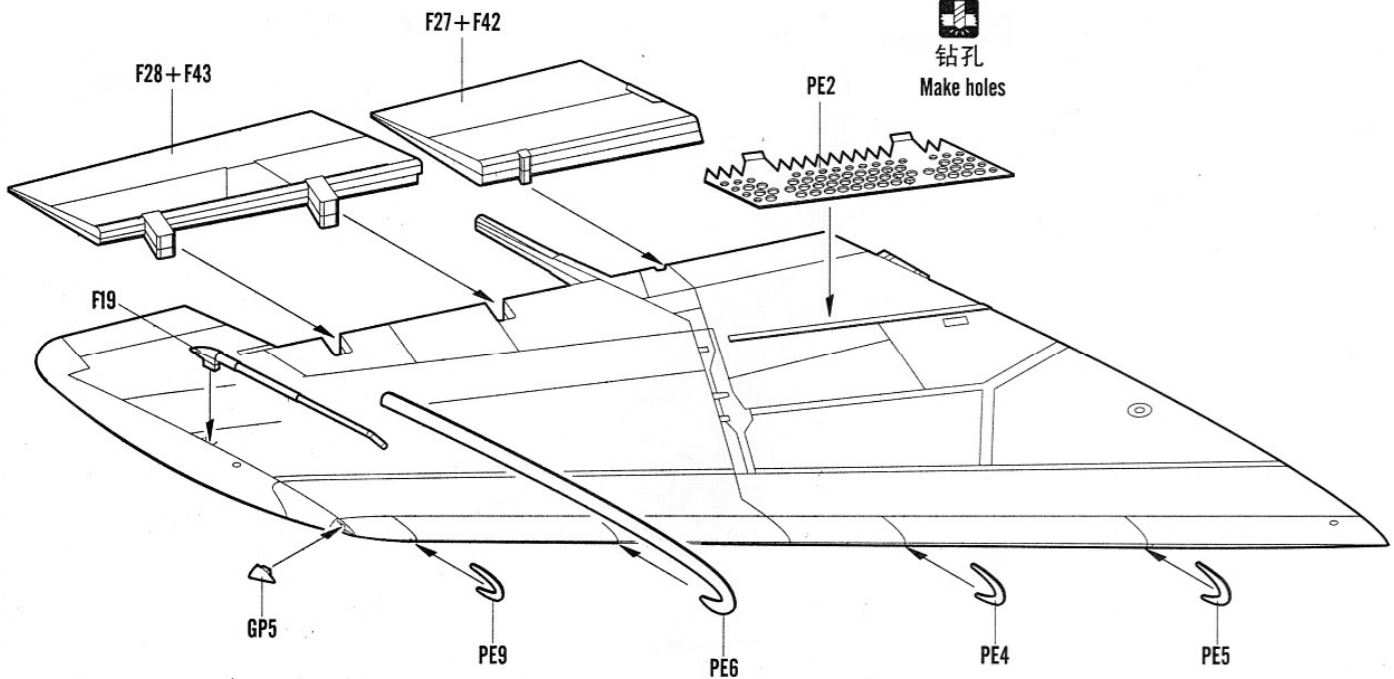


钻孔  
Make hole

《右侧轮舱》  
Right gear cabin



钻孔  
Make holes





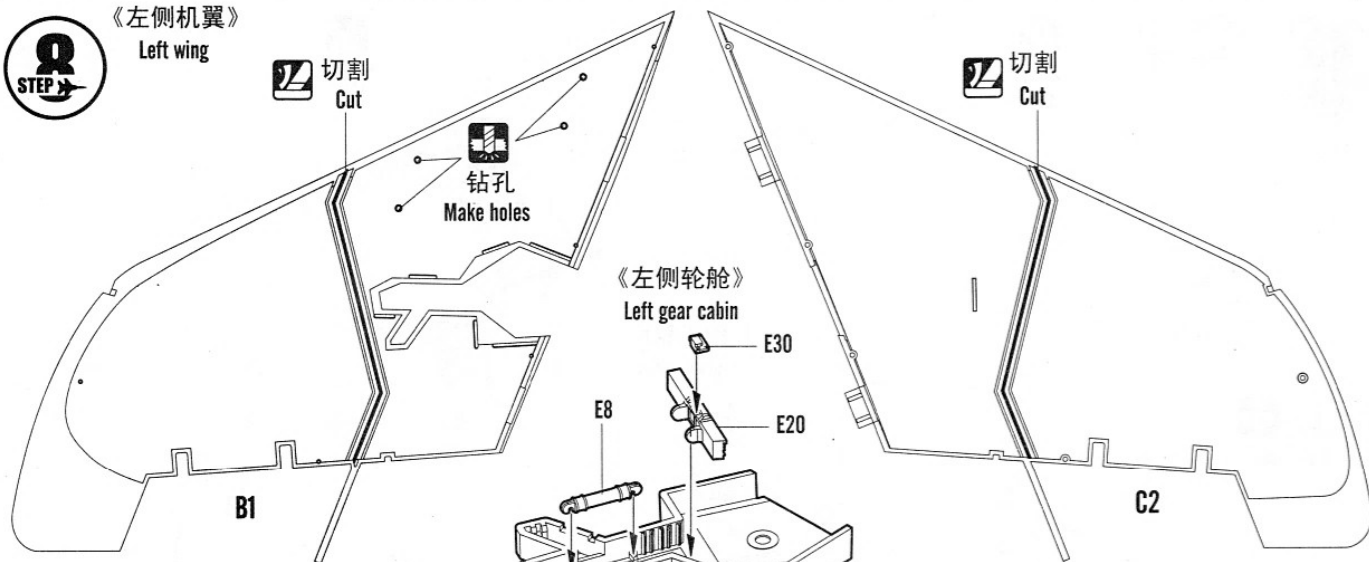


《左侧机翼》  
Left wing

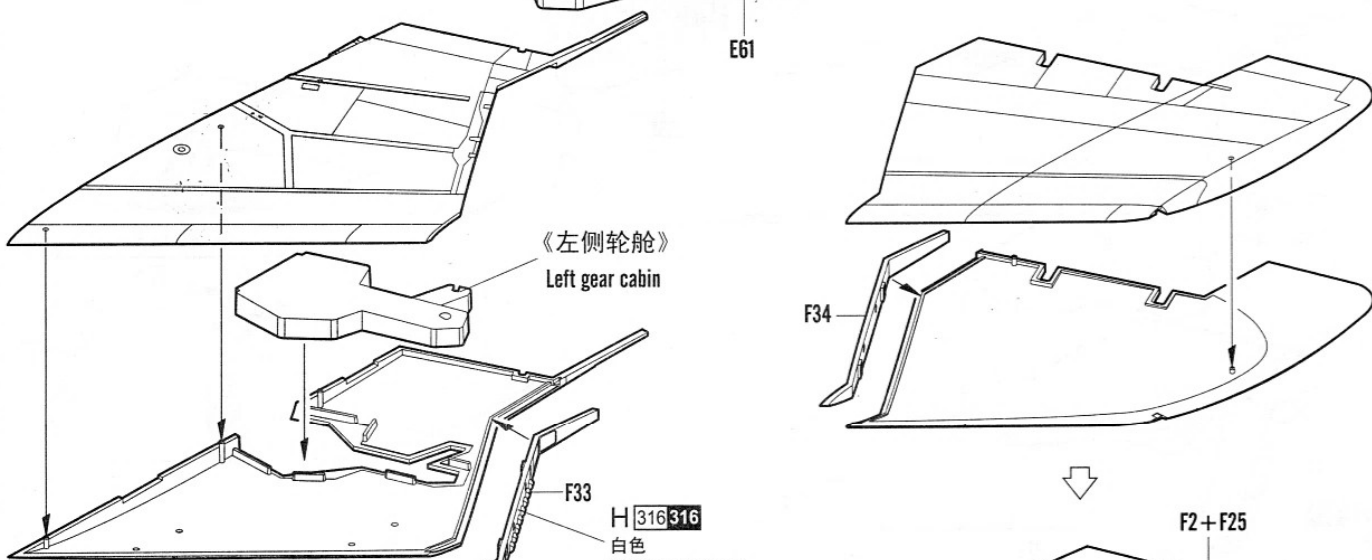
切割  
Cut

钻孔  
Make holes

切割  
Cut

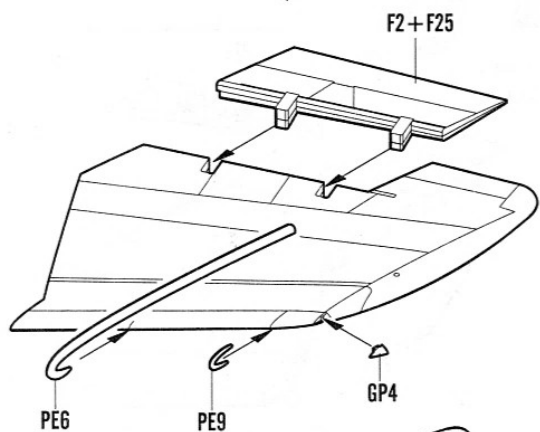
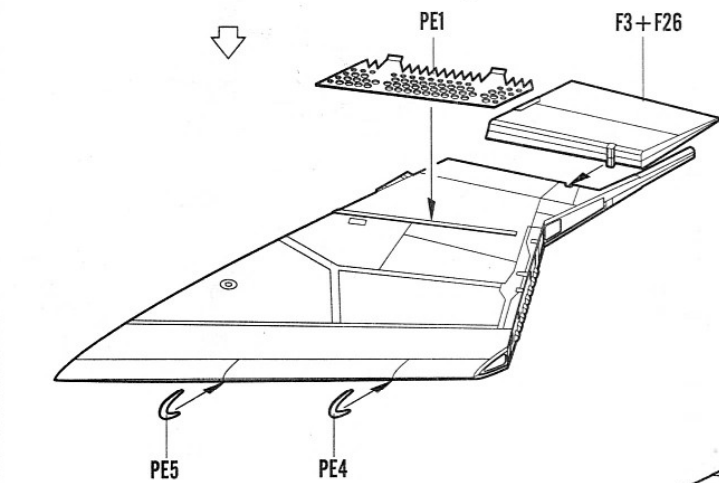


《左侧轮舱》  
Left gear cabin

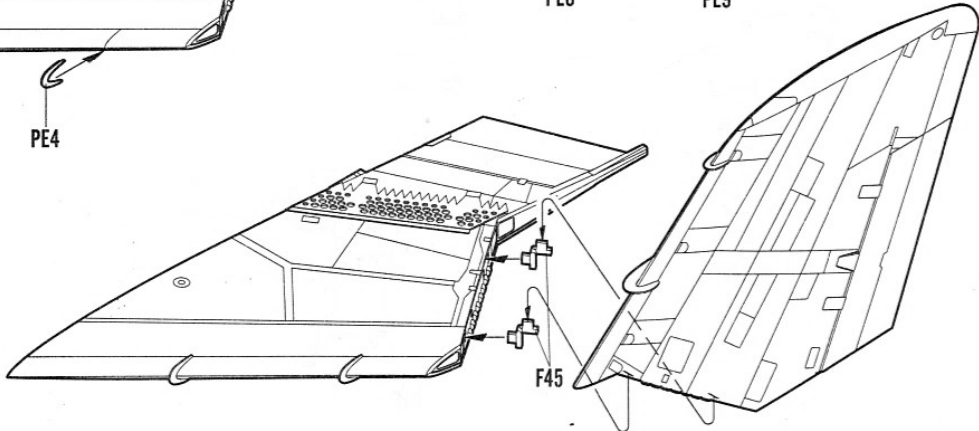


《左侧轮舱》  
Left gear cabin

H 316316  
白色  
White Insignia

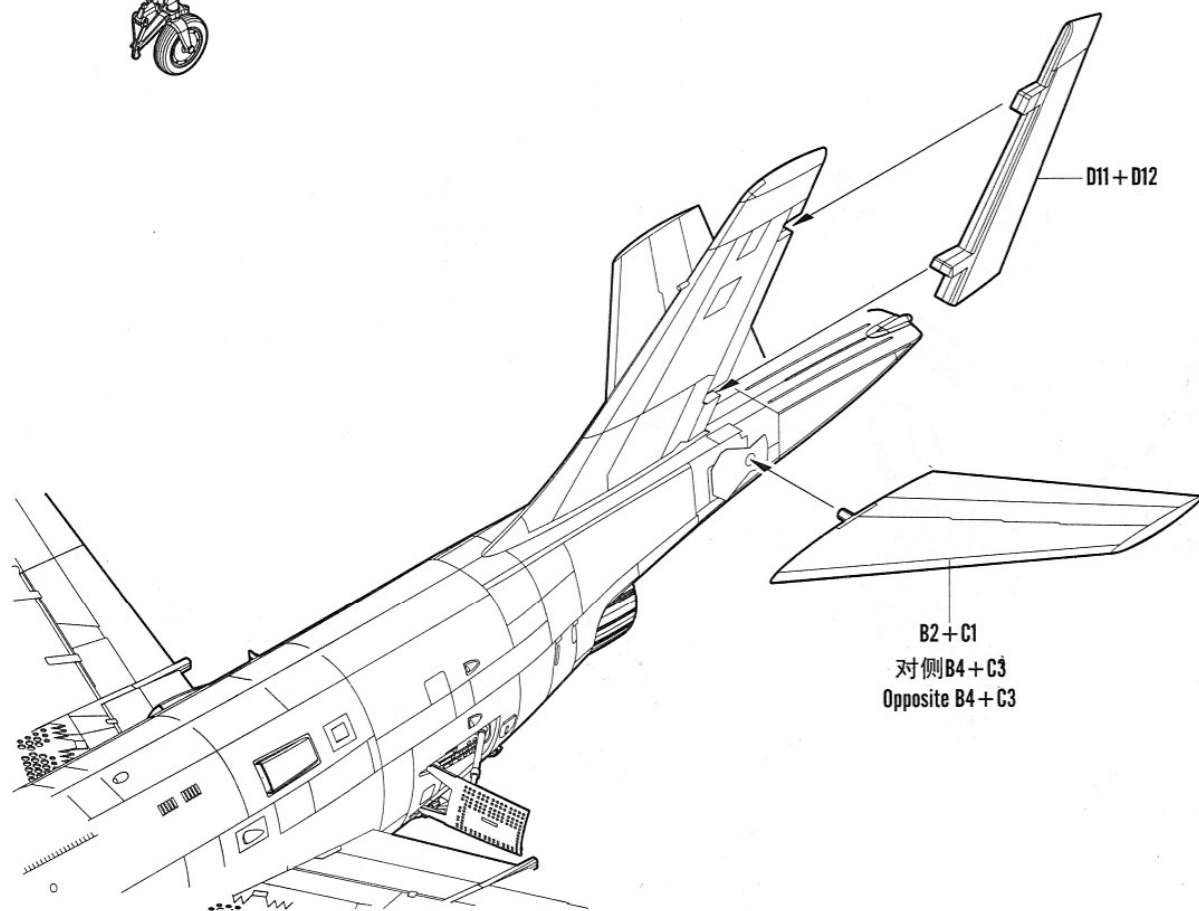
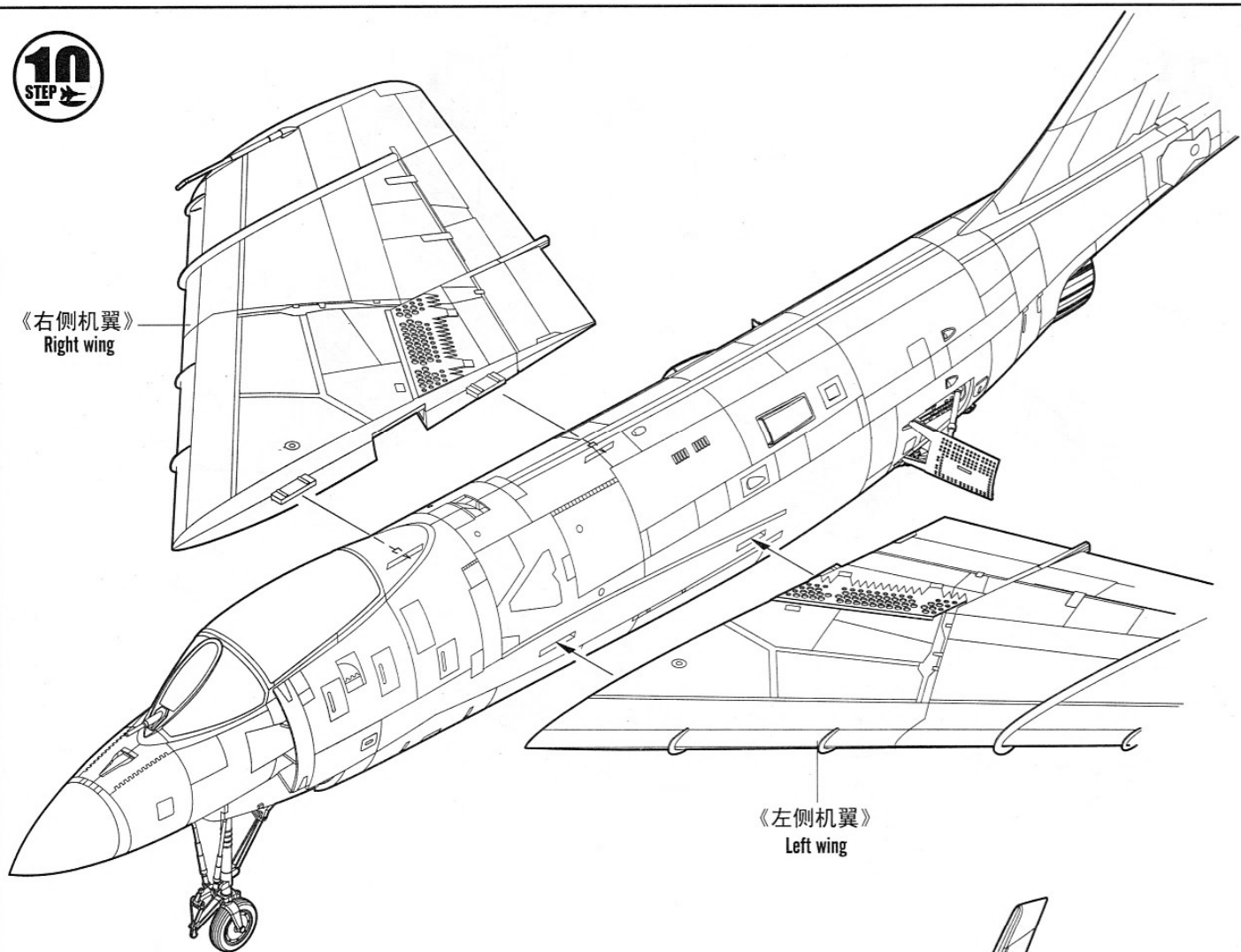


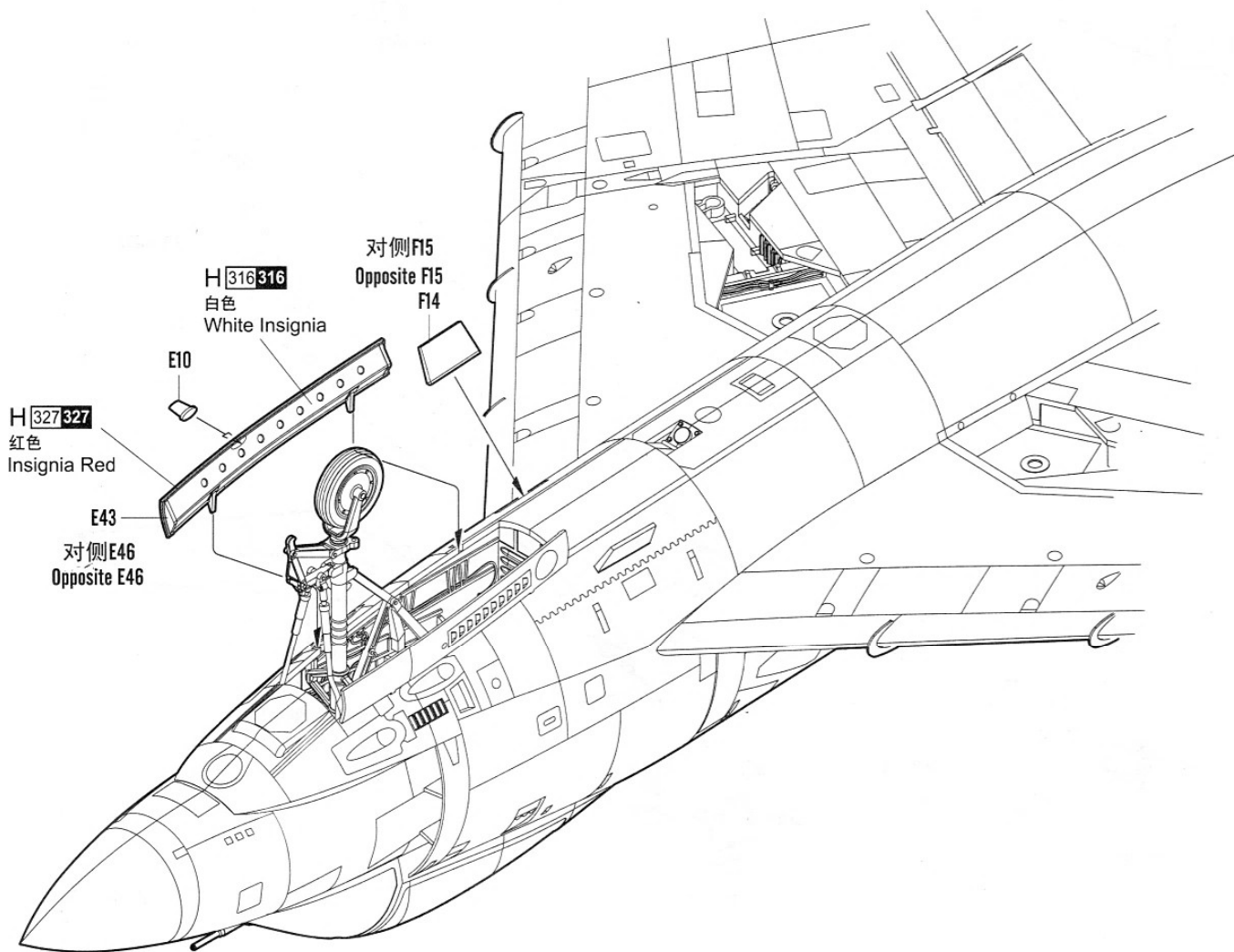
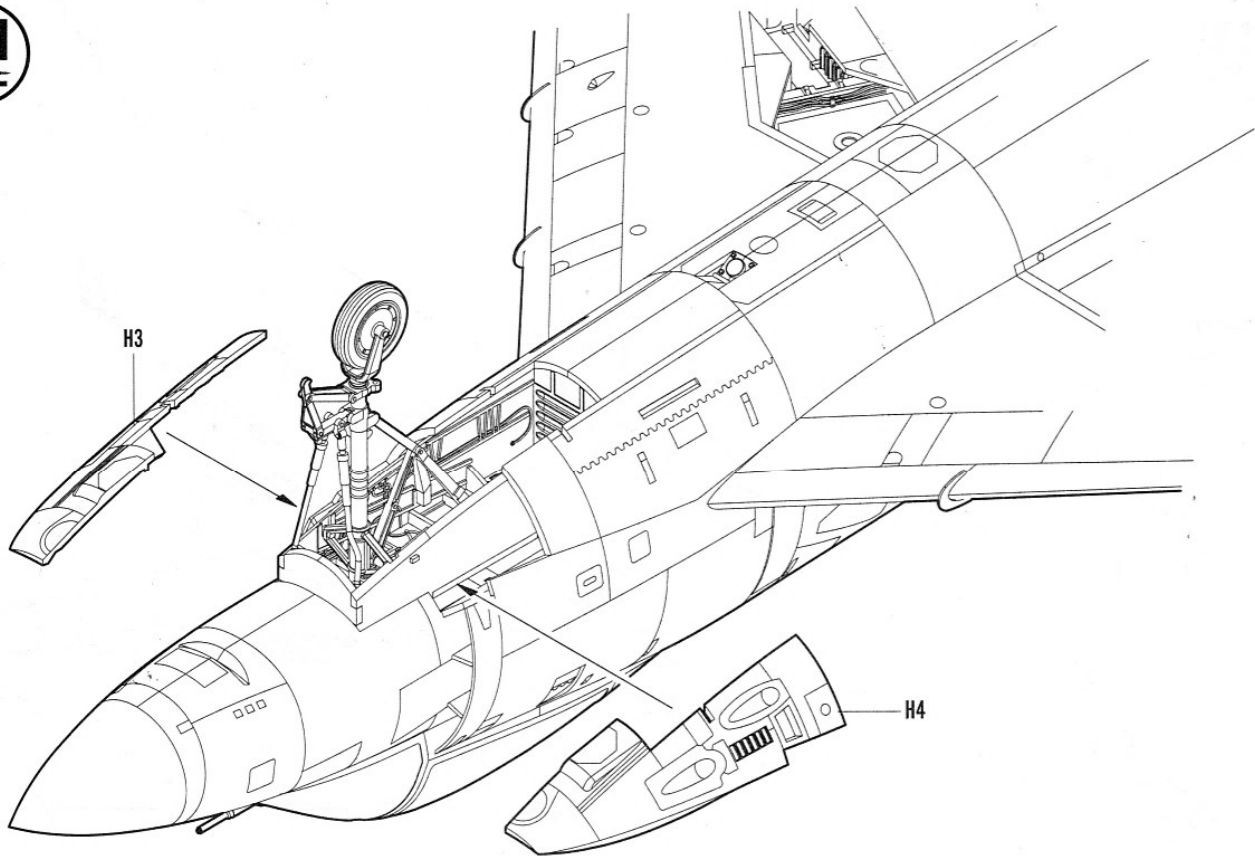
《折叠状态》  
Folding





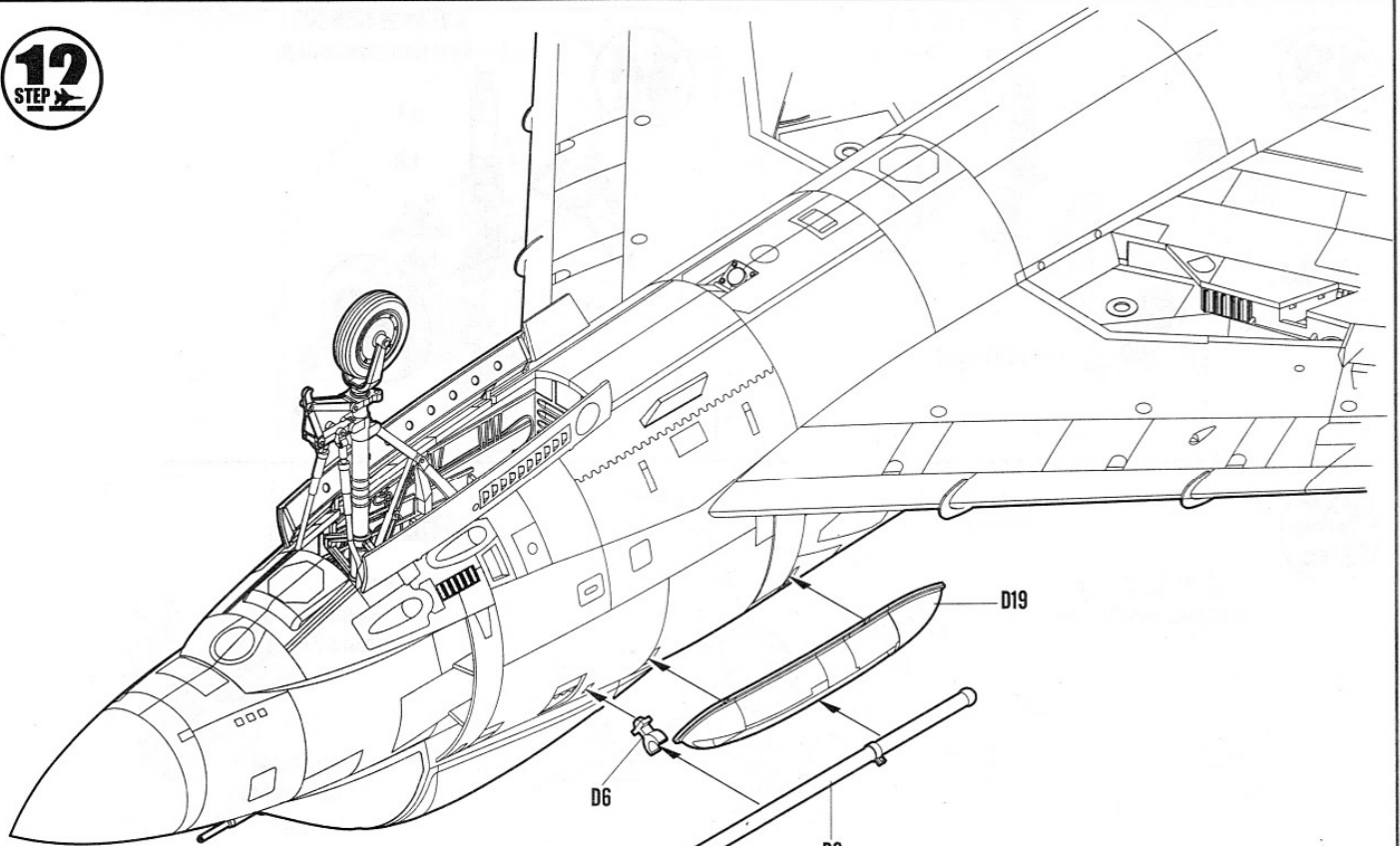
10  
STEP



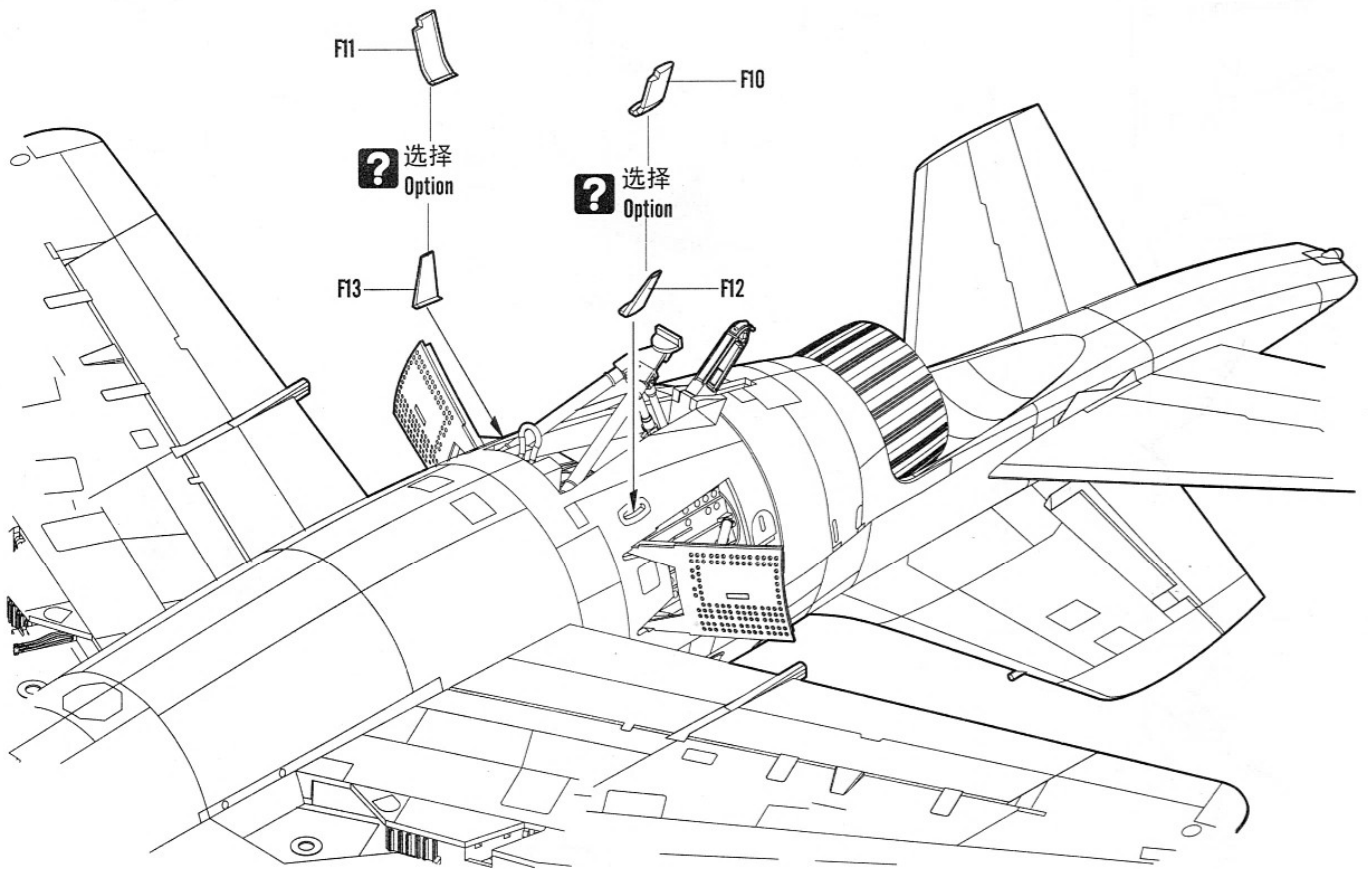




**12**  
STEP



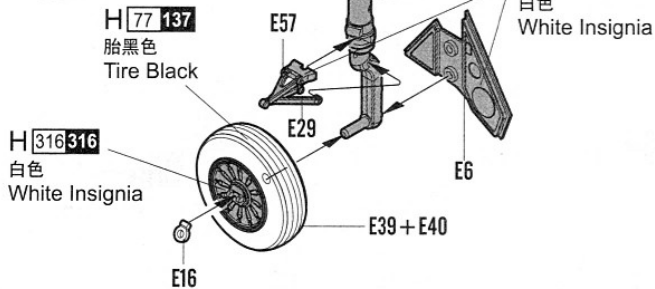
H 8 8  
银色  
Silver



**13**  
STEP

《左侧主起落架》

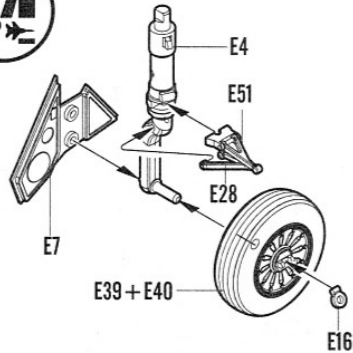
Left main undercarriage



**14**  
STEP

《右侧主起落架》

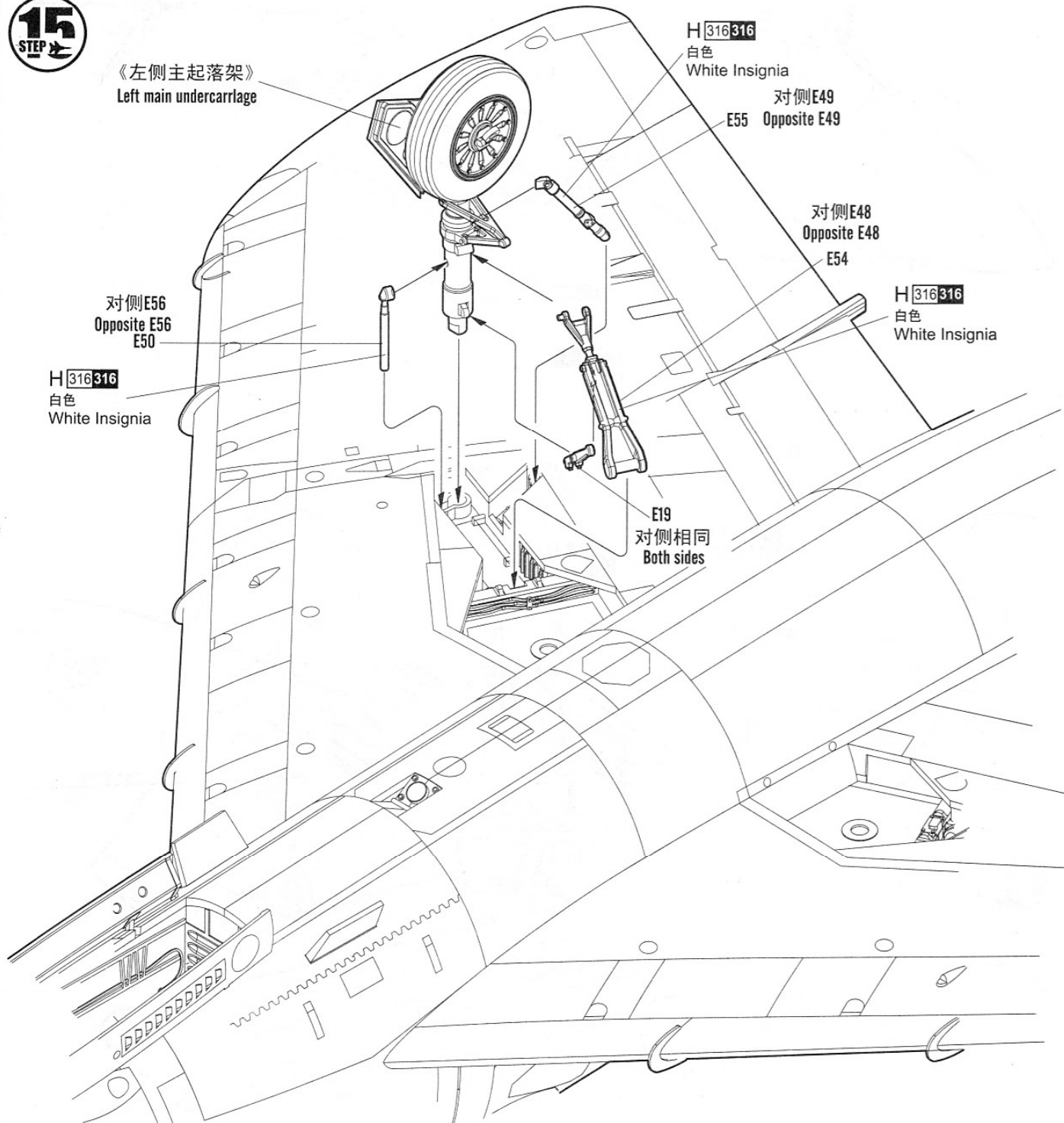
Right main undercarriage



**15**  
STEP

《左侧主起落架》

Left main undercarriage



对侧E22  
Opposite E22  
E23

对侧E47  
Opposite E47  
E53

对侧E3  
Opposite E3  
E35

E33  
对侧E34  
Opposite E34

对侧E36  
Opposite E36  
E2

E63

E41 + E44

E62

E12 + E17

E62

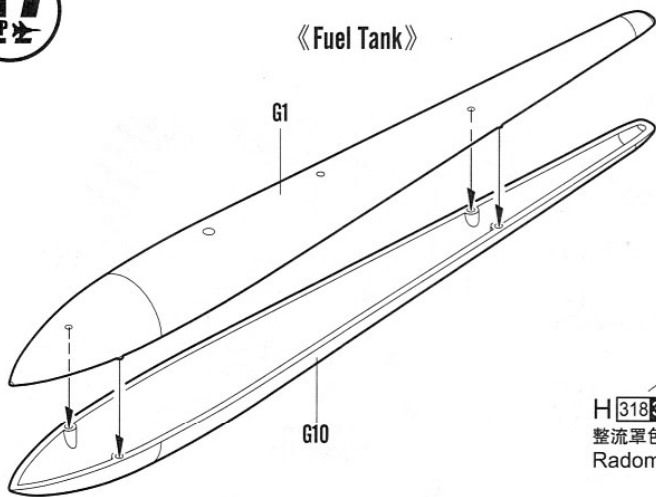
E63

E13 + E18

E42 + E45

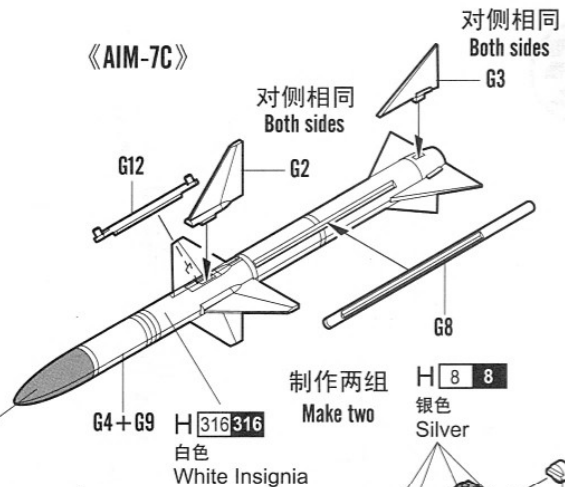
**17**  
STEP 2

《Fuel Tank》



制作两组  
Make two

《AIM-7C》



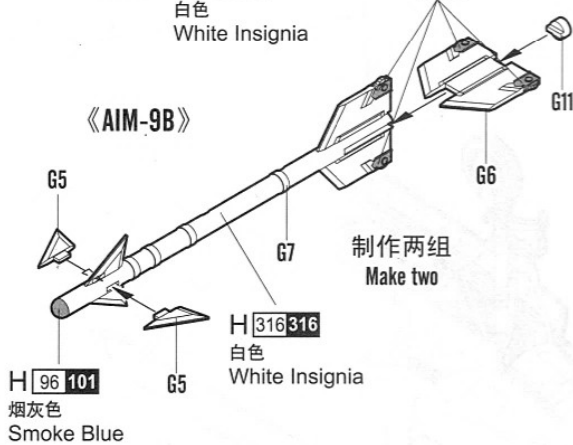
H 318 318  
整流罩色  
Radome

制作两组  
Make two

H 8 8  
银色  
Silver

H 316 316  
白色  
White Insignia

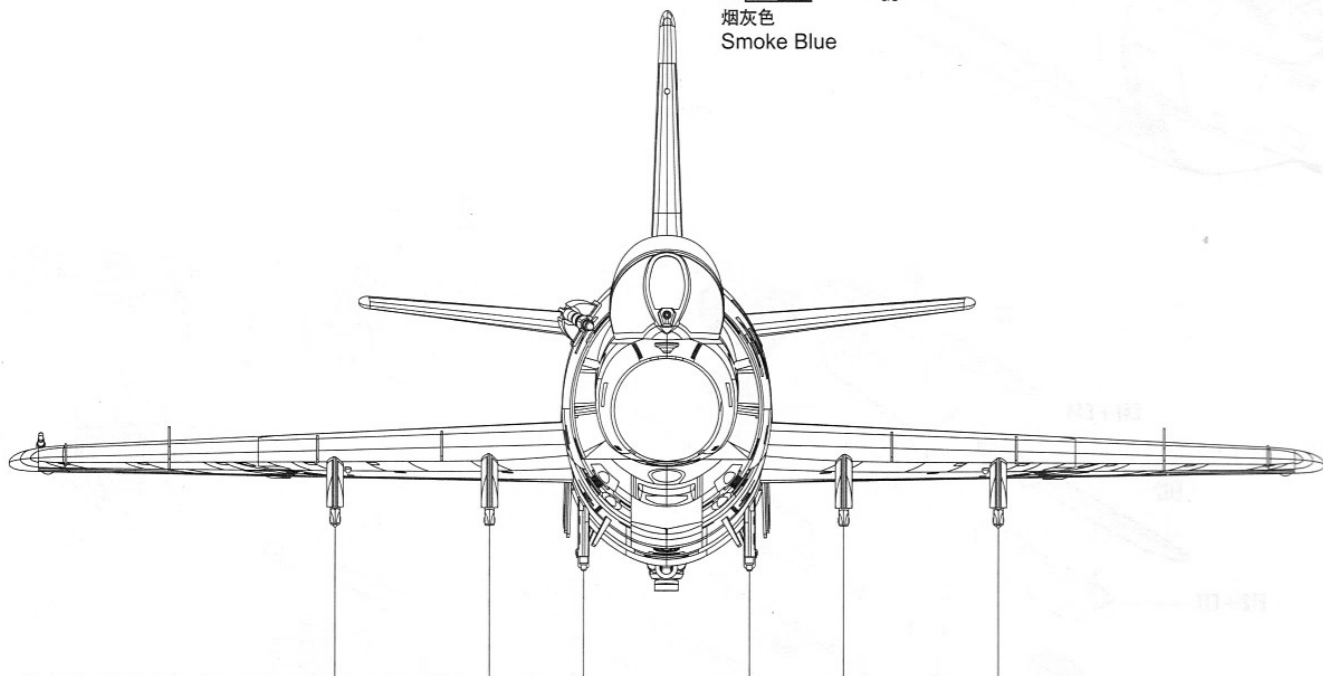
《AIM-9B》



H 96 101  
烟灰色  
Smoke Blue

H 316 316  
白色  
White Insignia

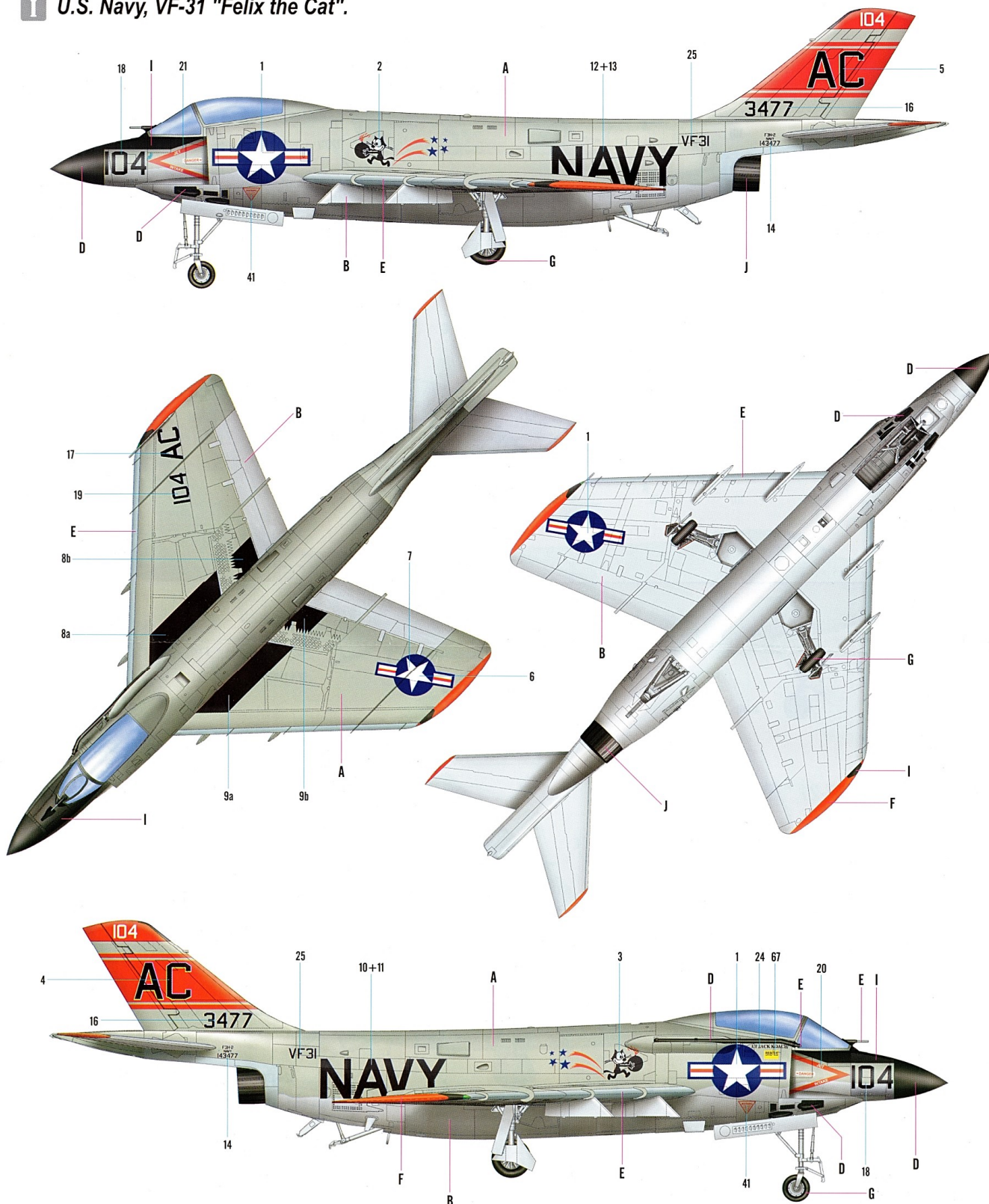
制作两组  
Make two



Sta.No.	1	2	3	4	5	6
《Fuel Tank》			●	●		
《AIM-7C》		●			●	
《AIM-9B》	●					●



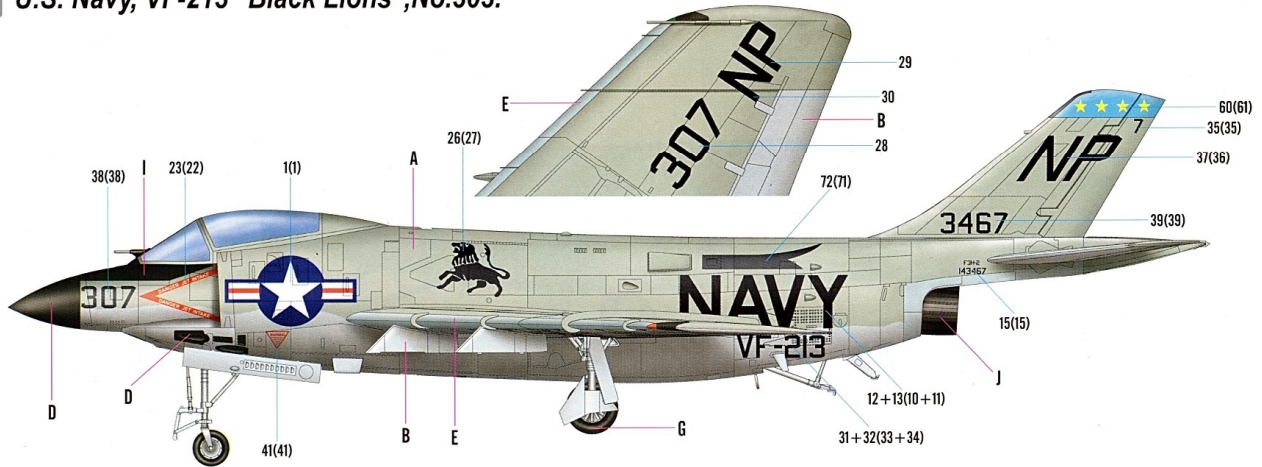
I U.S. Navy, VF-31 "Felix the Cat".



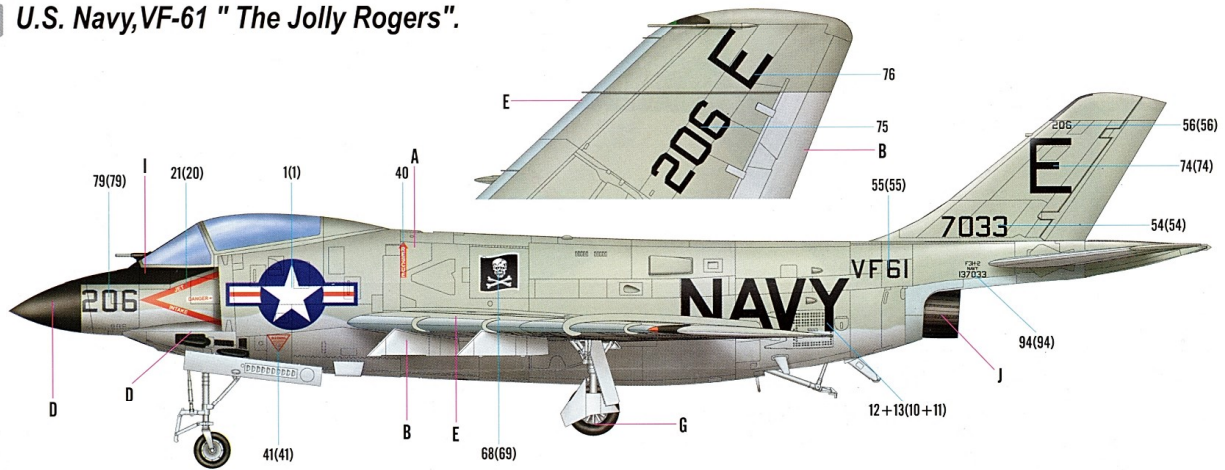
Color	Mr.Hobby	Vallejo	Model Master	Tamiya	Humbrol	Color	Mr.Hobby	Vallejo	Model Master	Tamiya	Humbrol
A 灰色 Light Grey	H[315]315	843	1730	--	129	E 银色 Silver	H[8]8	997	1546	X11	11
B 白色 White Insignia	H[316]316	991	1745	X2	22	F 红色 Red	H[3]3	908	1503	X7	19
C 整流罩色 Radome	H[318]318	917	1709	--	148	G 胎黑色 Tyre Black	H[77]137	--	--	--	--
D 黑色 Black	H[2]2	861	1747	X1	21	H 烟灰色 Smoke Blue	H[96]101	--	--	--	--



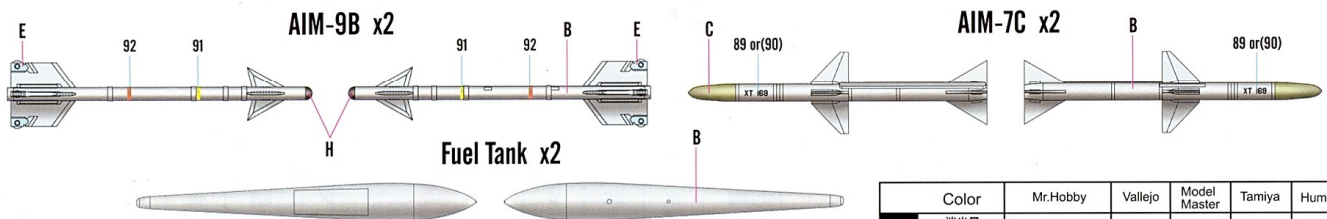
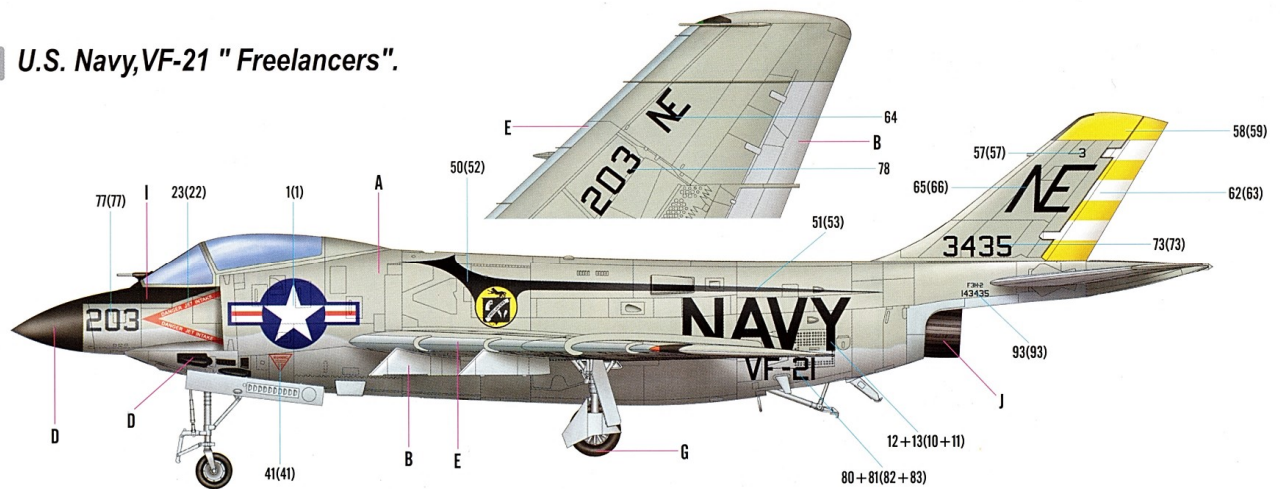
II U.S. Navy, VF-213 "Black Lions", No.303.



III U.S. Navy, VF-61 "The Jolly Rogers".



IV U.S. Navy, VF-21 "Freelancers".



	Color	Mr.Hobby	Vallejo	Model Master	Tamiya	Humbrol
I	消光黒 Flat Black	H[12 33]	950	1749	XF1	33
J	烧铁色 Burnt Iron	H[76 61]	863	1795	X10	53