

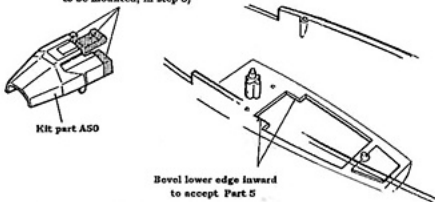
KMC

Sukhoi Su 27 "Flanker B" Update Set
 1/48 Scale 48-4005
 Recommended kit: Minicraft/Academy No. 2131

1 Upper Cockpit

References:
 Lock On No. 17, Su 27 "Sukhoi", Verlinden Pub., 1992.
 Aerofax Extra 3, Sukhoi SU 27 Flanker, Aerofax, 1991.

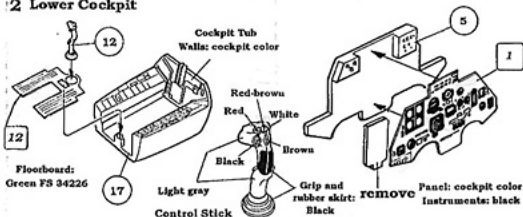
Remove. (Replacement parts to be mounted, in step 5)



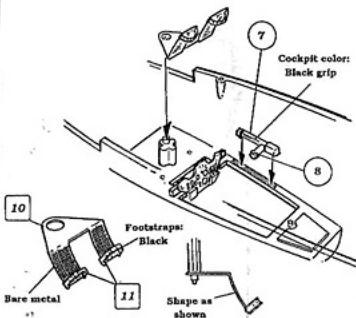
Resin Parts (remove shaded areas)



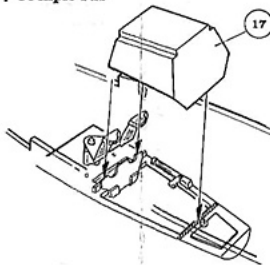
2 Lower Cockpit



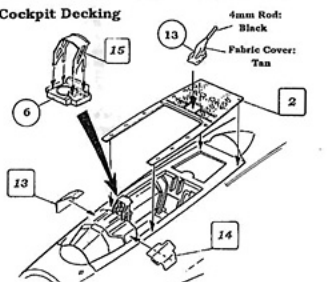
3 Instrument Panel, Pedals, Throttle



4 Cockpit Tub

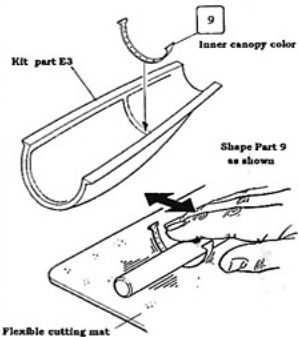


5 Cockpit Decking

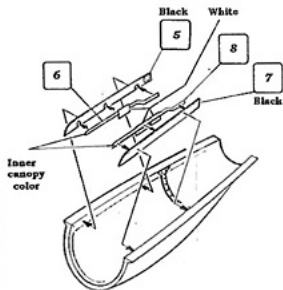


FS numbers are guides, check references.
 Cockpit color: lightened blue-gray FS 25177
 Inner canopy and cockpit sills (top): green-gray FS 34410
 Wheel hubs and floorboard: lightened gray-green FS 34226

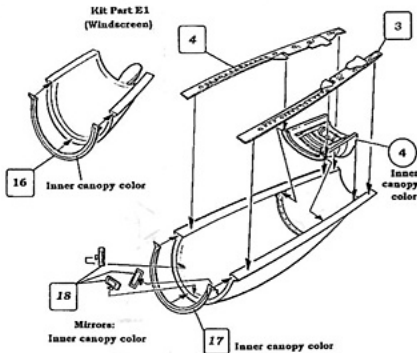
6 Canopy Frame Sequence



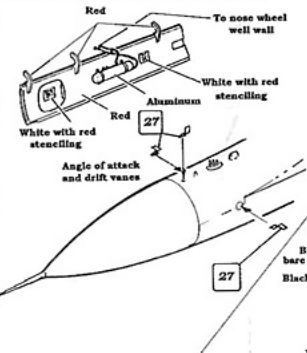
7



8

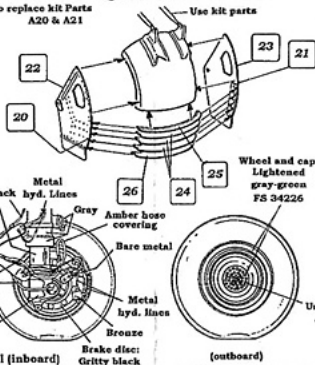


9 Nosewheel Door and AOA Vanes



10 Nosewheel Mudguard and Brake Disc

To replace kit Parts A20 & A21



11 K-36DM Ejection Seat

