

1:35 SCALE

ITEM NO.:83883

Soviet BA-20 Armored Car Mod.1939

ソビエト BA-20 装甲車 1939 年型 前苏联BA-20装甲车1939年型



PLEASE READ BEFORE OPERATION!

- Tools recommended as below. (Not included)
Attachments: Parts; Side Cutters; Sharp Edged Files; Modeling Knife; Modeling File; Hippers; Dnt; Scissors; Sand Paper; Soft Cloth; Cyanoacrylate Glue.
- Make sure to read this instruction listed below before assembling.
- The kit contains the small parts. They can be dangerous if swallowed by mistake, so keep them away from reach of children.
- Cut the all parts off carefully and remove the waste parts into the garbage can.
- More caution and care should be needed for cutting and handling the photo-etched parts.
- Make attention that some parts should be attached the decal when assembled.
- During assembling, please tear up and throw away the plastic bags, or may cause the dangerous if wearing over head by children's mistake.
- When using the adhesives and parts, please do not use them in the closed room or near the fire, also must be very careful to protect your eyes, face and clothes.
- Adult supervised when assembled by children under 14 years old.

装配前请仔细阅读:

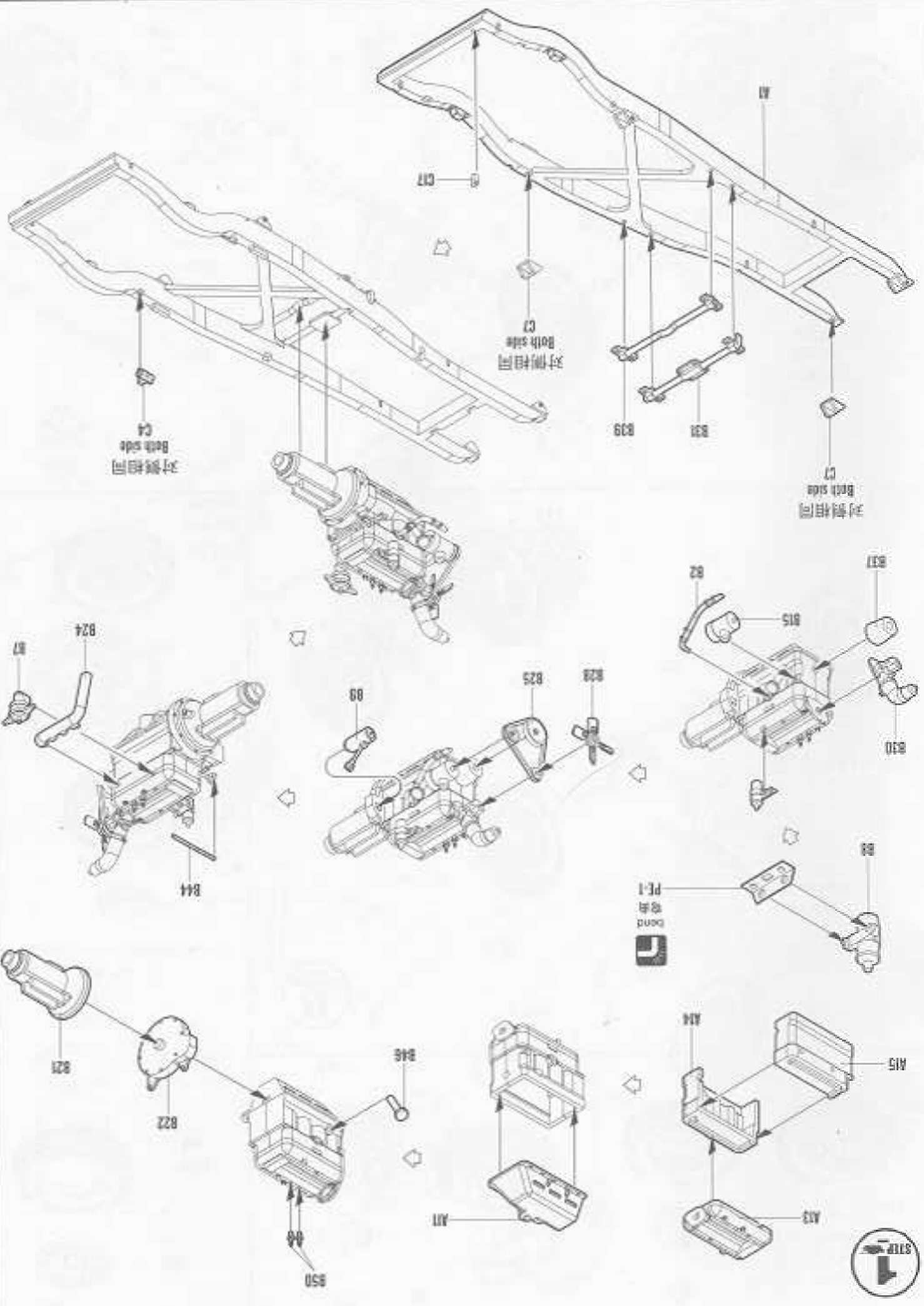
- 推荐使用的模型工具(请自备):
附件: 镊子; 侧切刀; 长尾钳; 刀片; 水口剪刀; 长尾钳; 刀片; 镊子; 钳; 剪刀; 帆布; 砂纸; 瞬间快干胶等。
- 用水口剪刀或刀片小心切下所有塑胶零件和蚀刻片零件, 不要遗失小零件。
- 切取蚀刻片时应特别注意防止划伤手指。
- 用模型镊刀小心剪平所有零件表面的注射浇口。
- 用适量的强力快干胶水粘合蚀刻片零件和金属轴, 切勿通过量, 否则可能导致零件被粘住。
- 注意某些零件表面需在装配时同步贴上水贴纸。
- 制作时请注意避免儿童将包装袋及时收妥, 谨防小孩玩耍时引起意外。

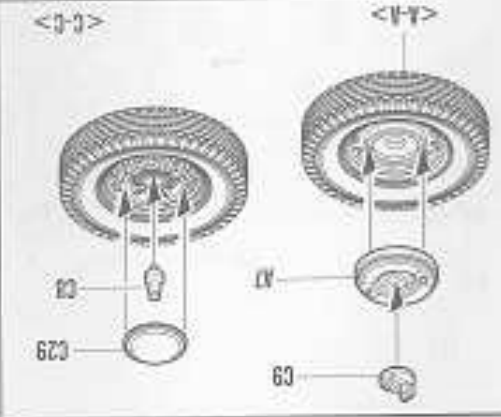
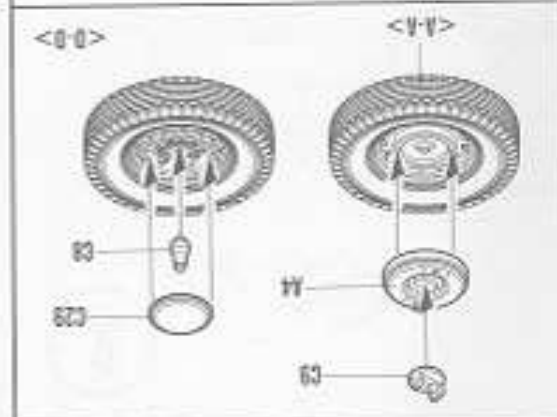
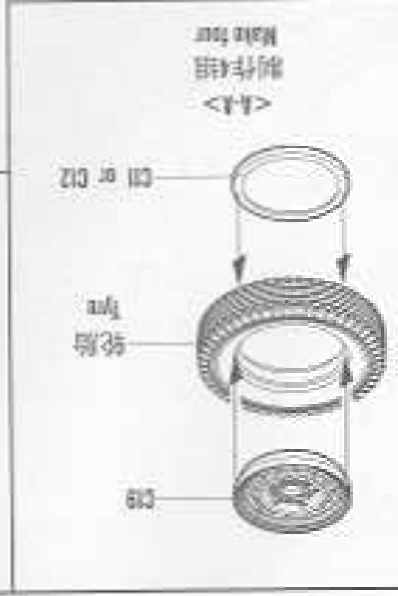
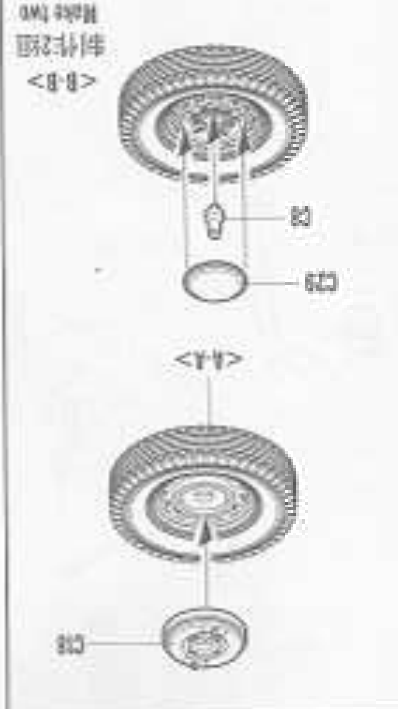
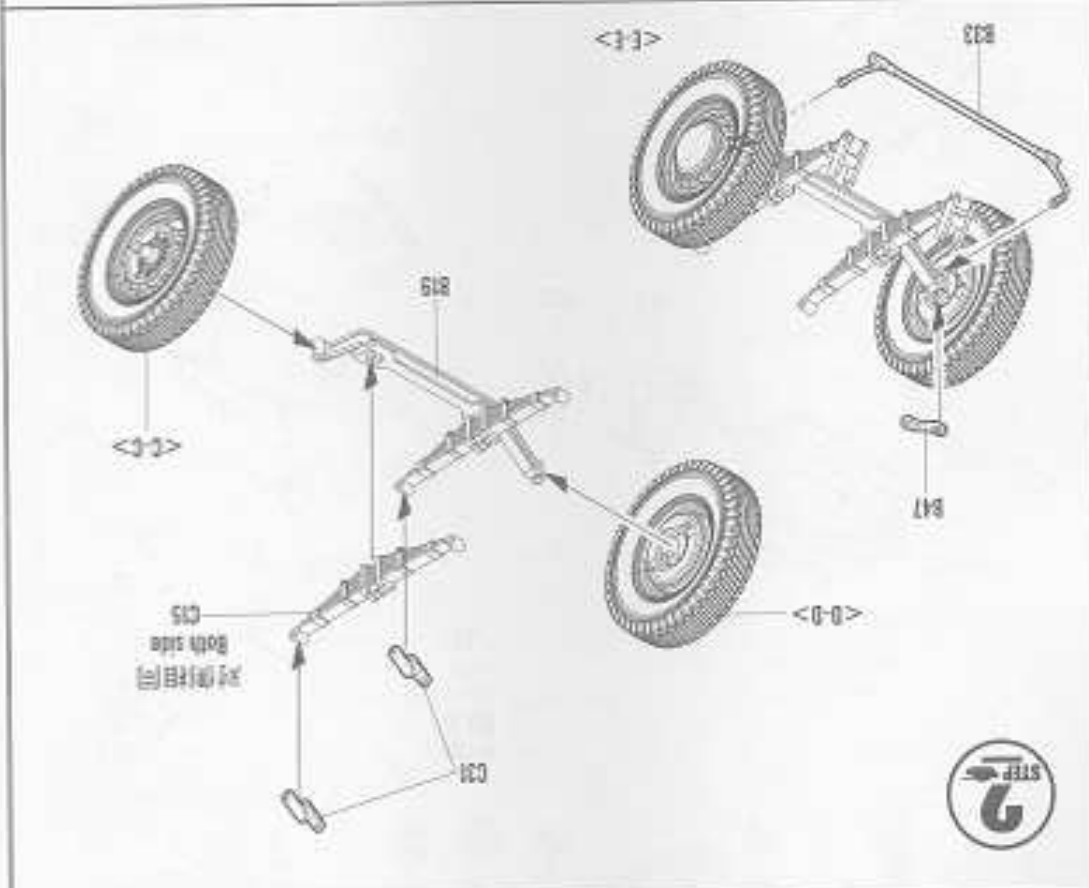
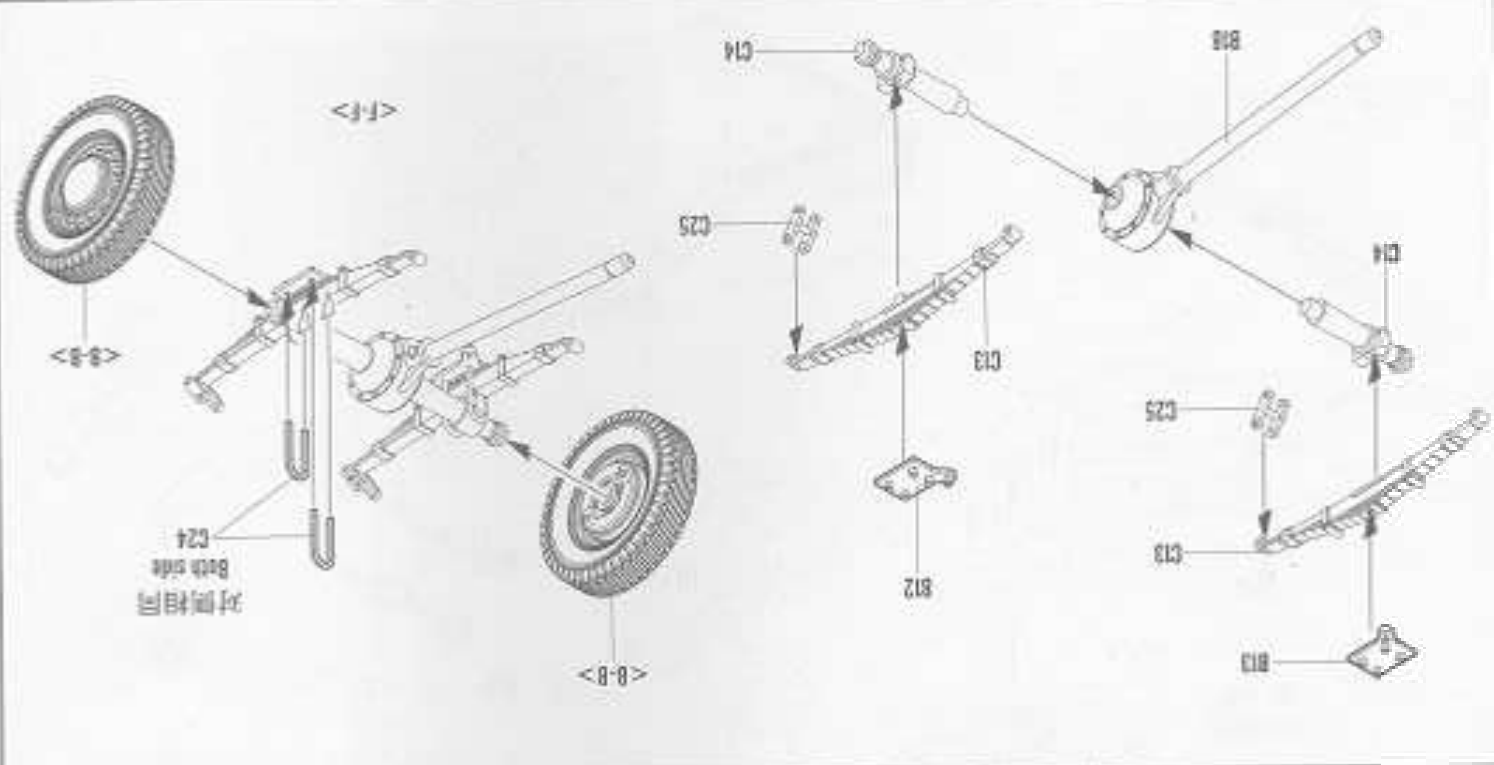
The method to apply the decals

水贴纸的使用方法:

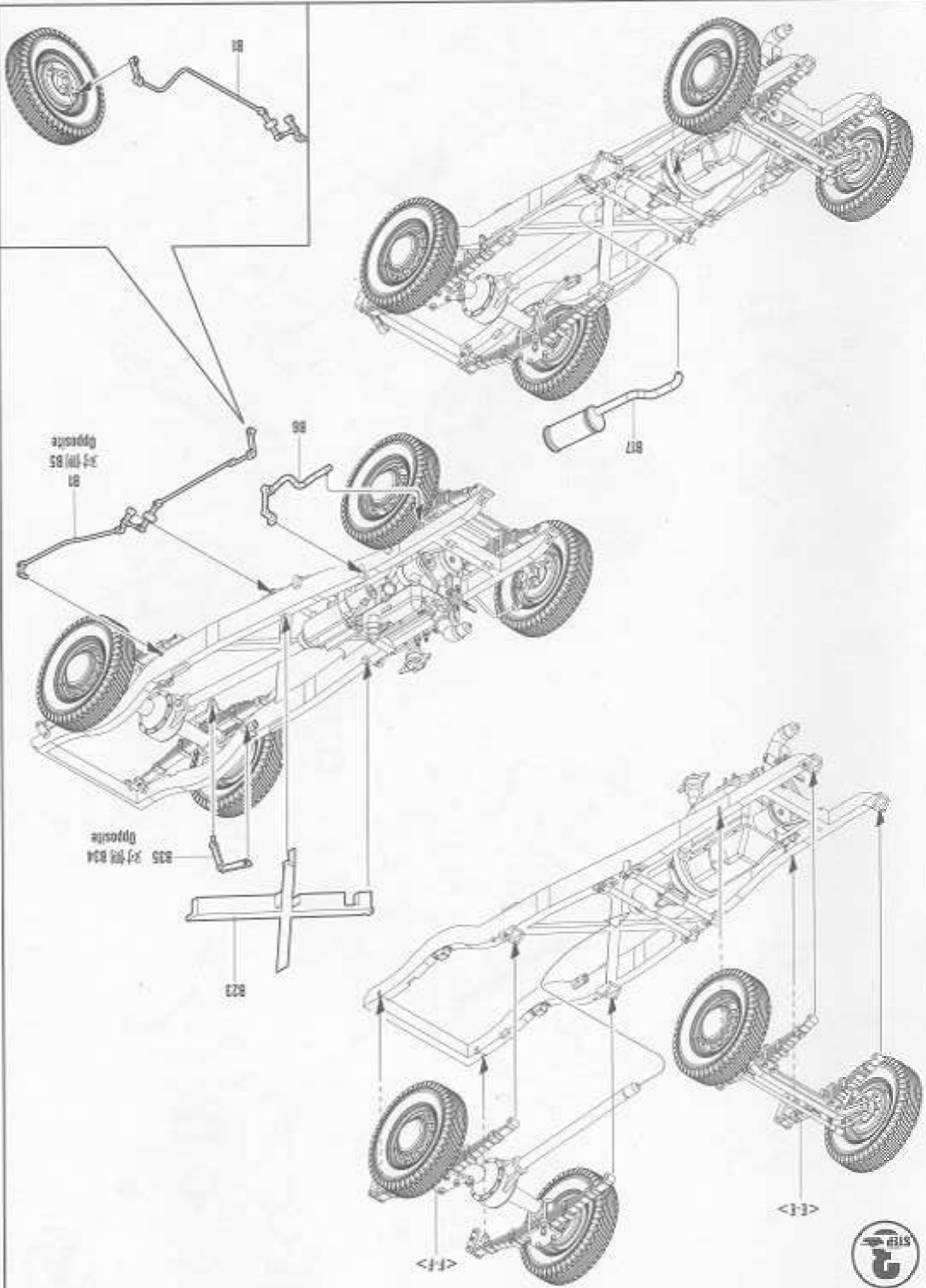
1. Cut off the decal from the decal paper and put it into the warm water 40°C for 10 seconds.
 2. Take the decal from the water and put it on a piece of clean cloth.
 3. Remove the decal slowly from the paper to the targeted location by a wet finger. Also a piece of dry and soft cloth to press it gently on the decal until it getting dry and no bubble existing.
 4. Use a piece of dry and soft cloth to press it gently on the decal until it getting dry.
- 一、把相关的印花从水贴纸上剪下, 放入40℃左右的水中浸10秒。
 - 二、然后将印花放在干净的布上。
 - 三、拿上印花纸框, 手指蘸水将印花移到适当的位置。
 - 四、用软干布轻轻印花直至水干, 气泡消失。

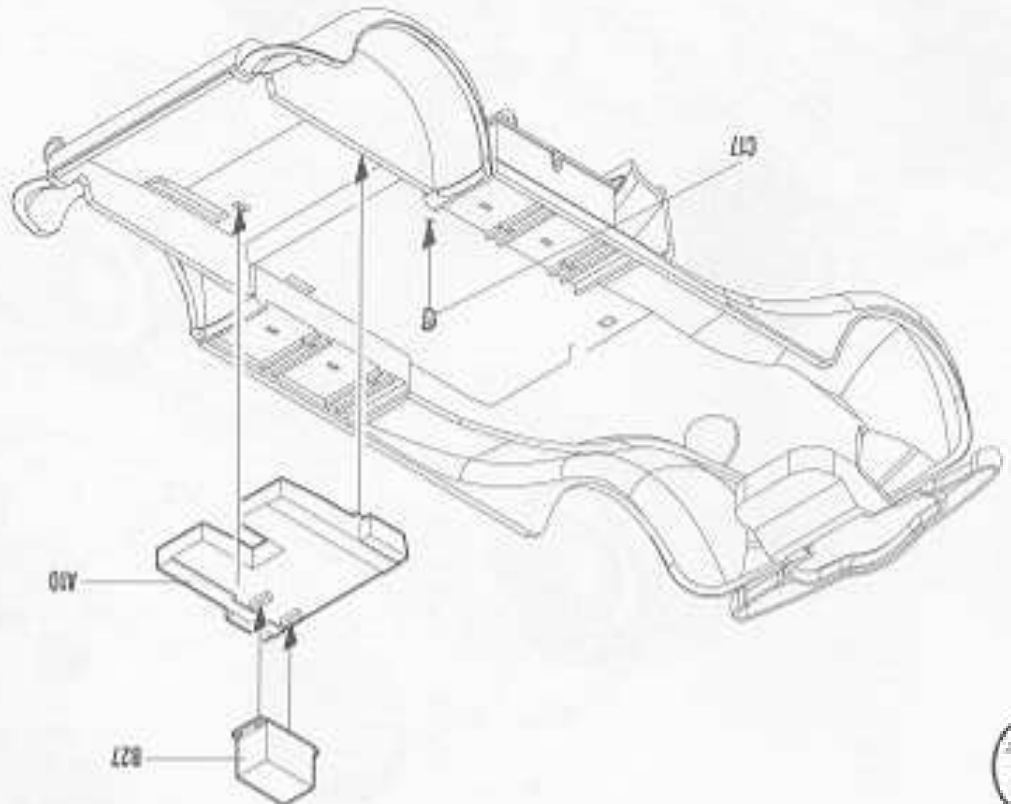
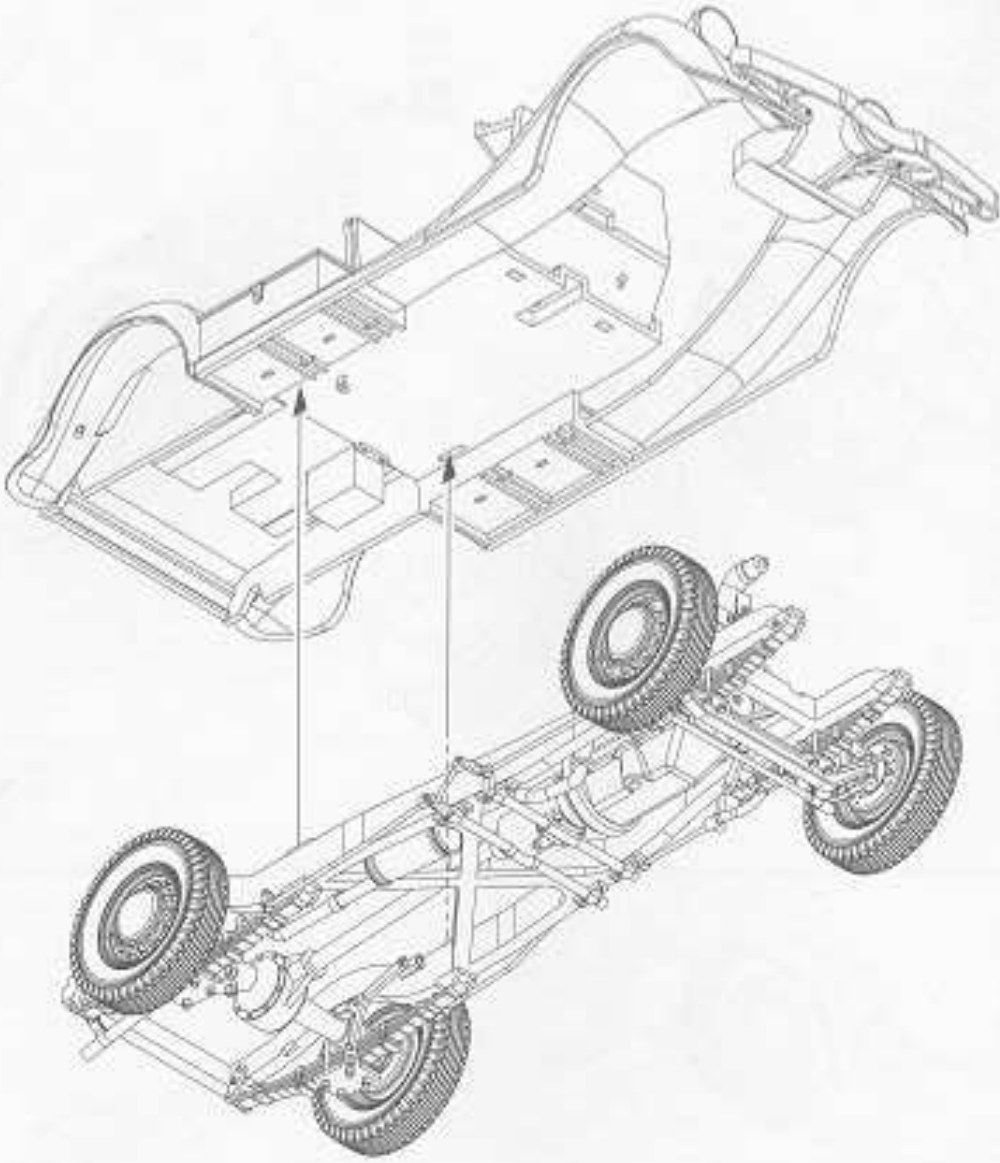


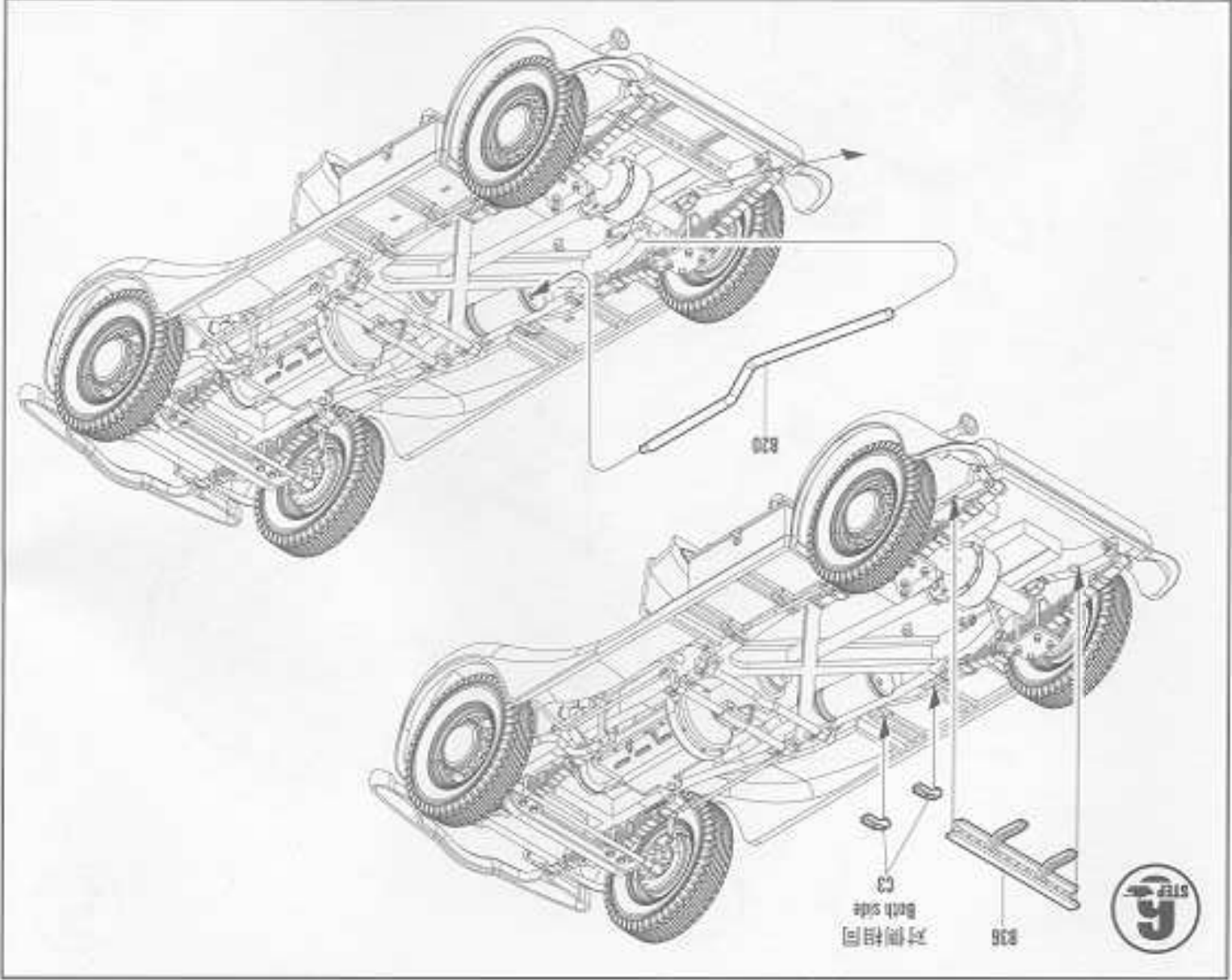
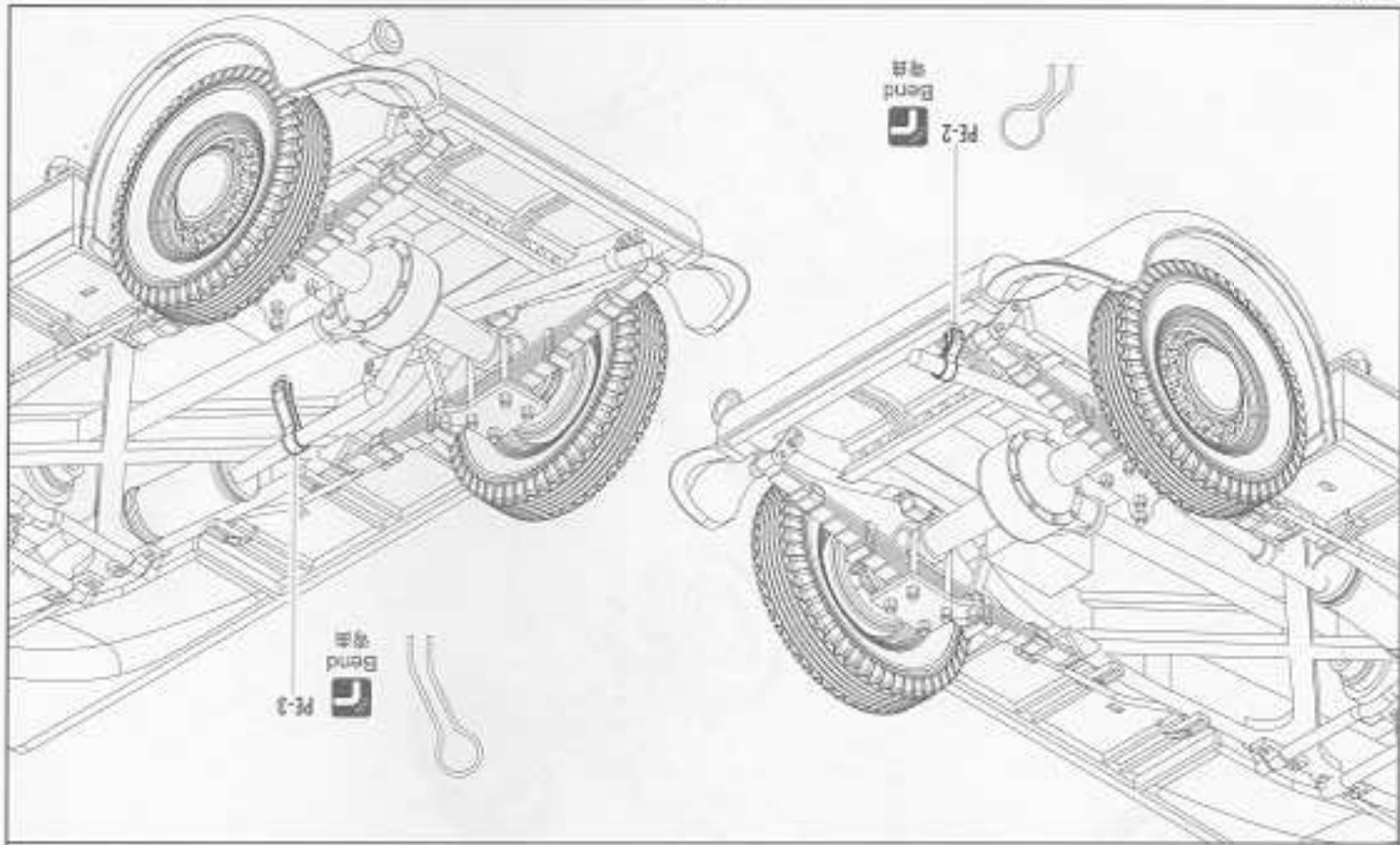


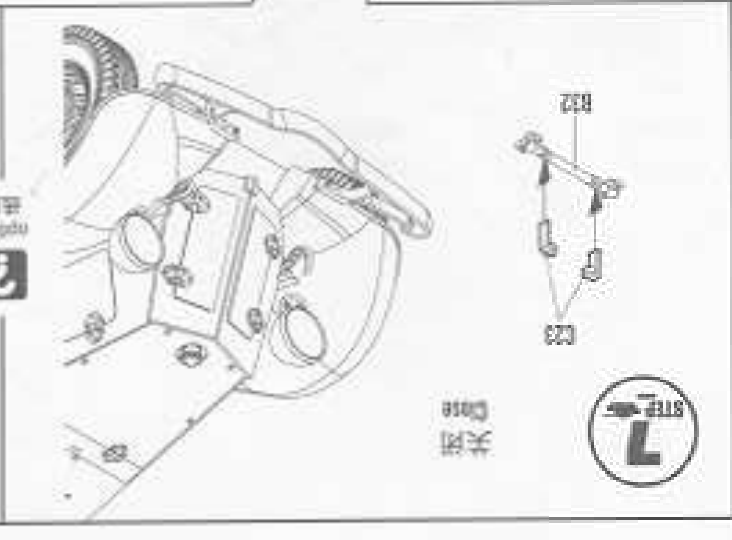
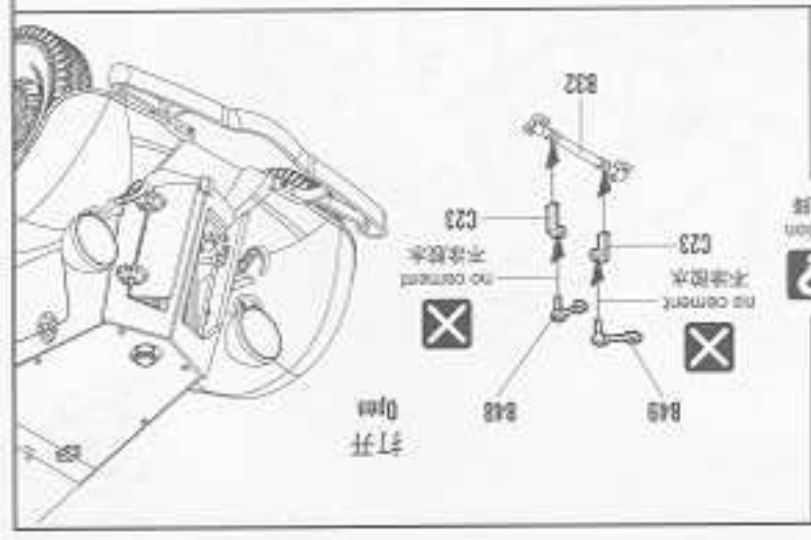
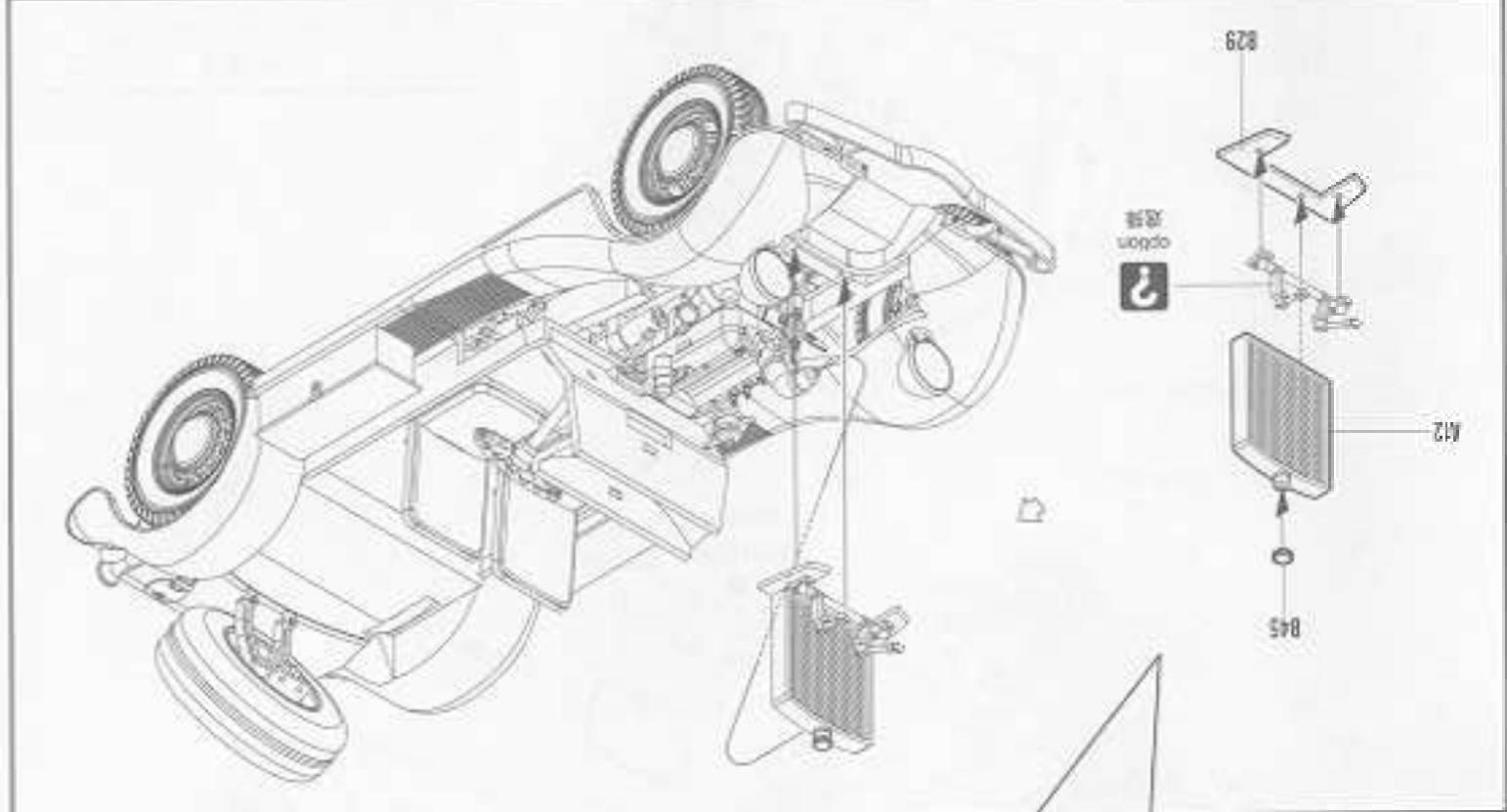
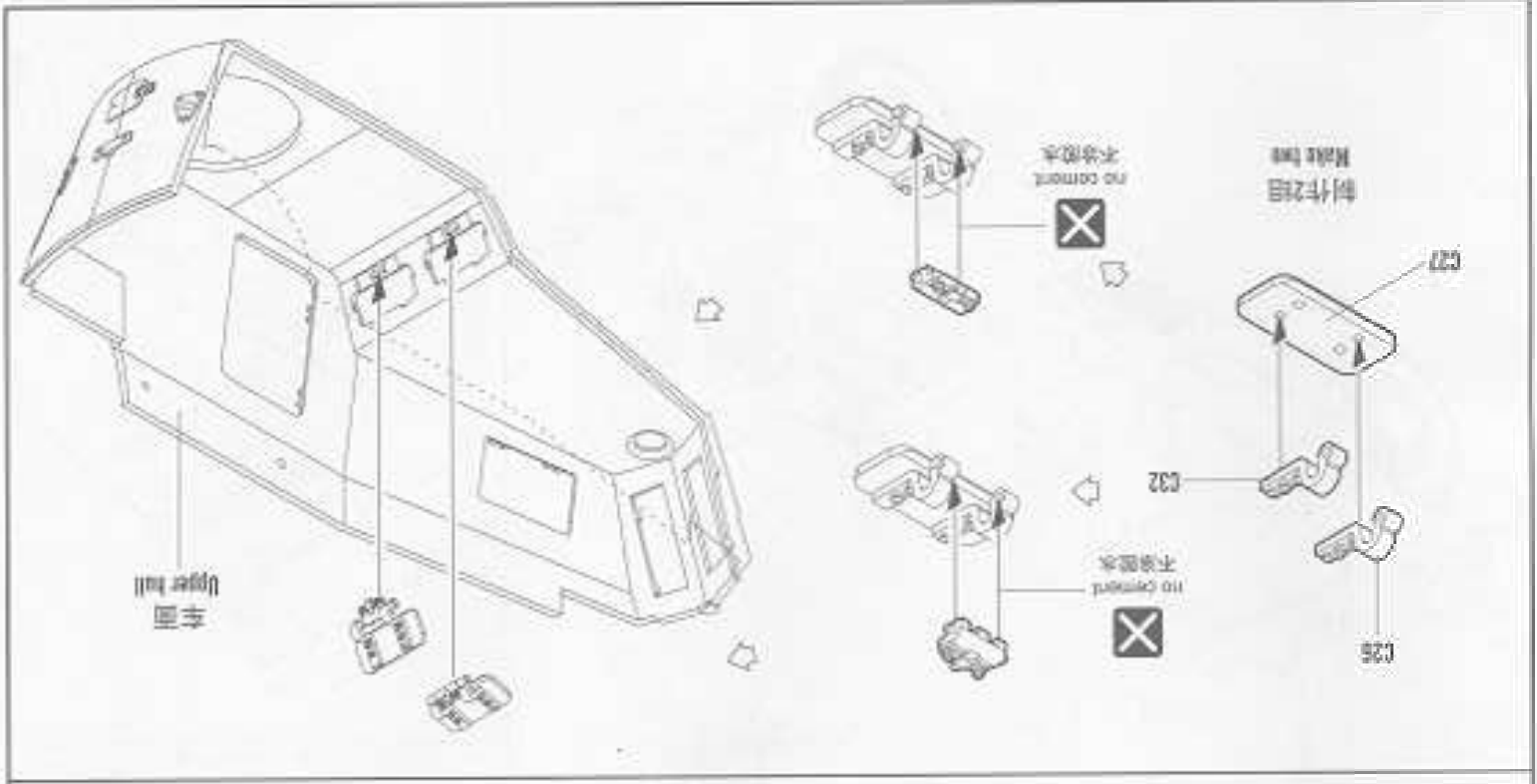


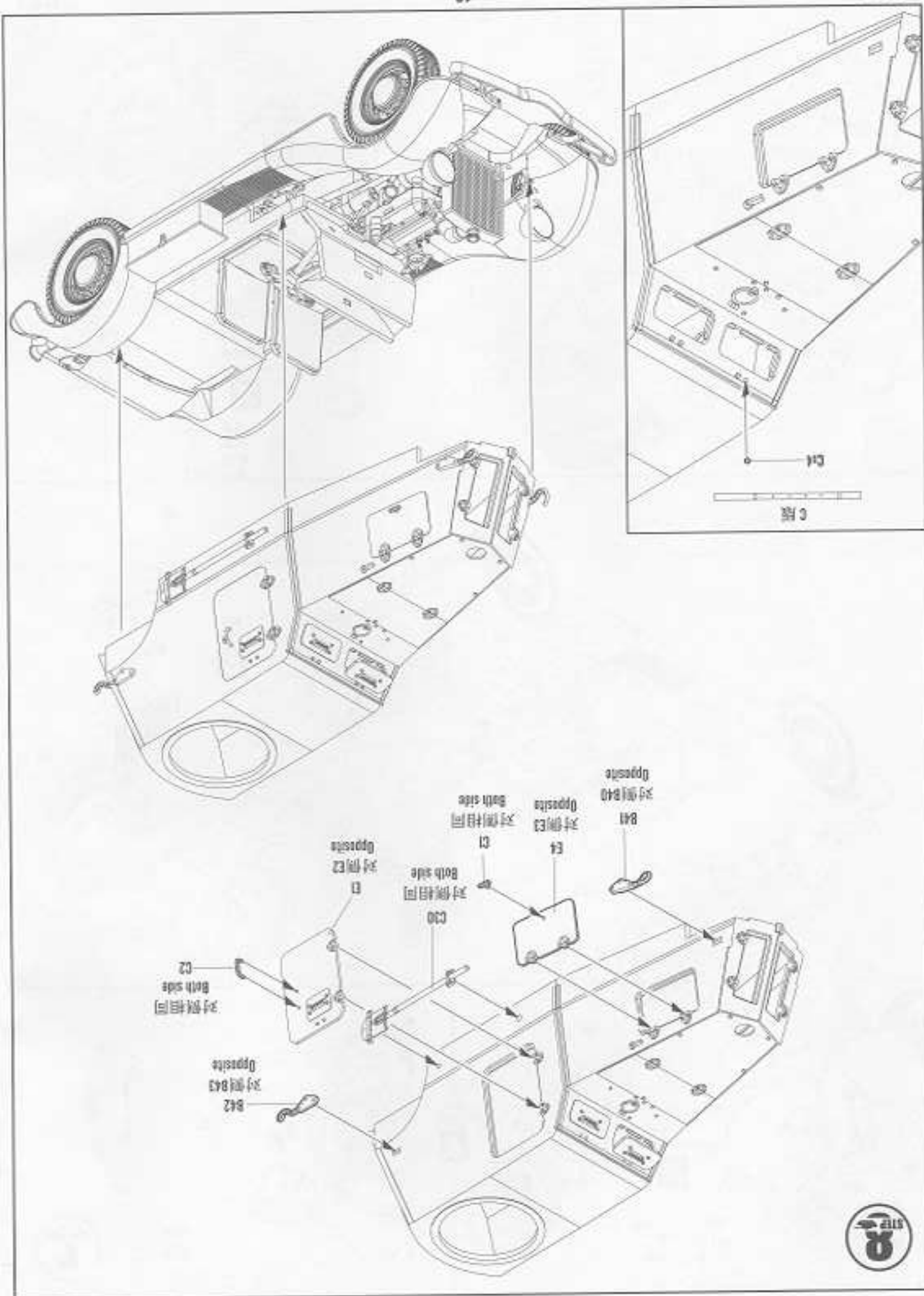
STEP 7

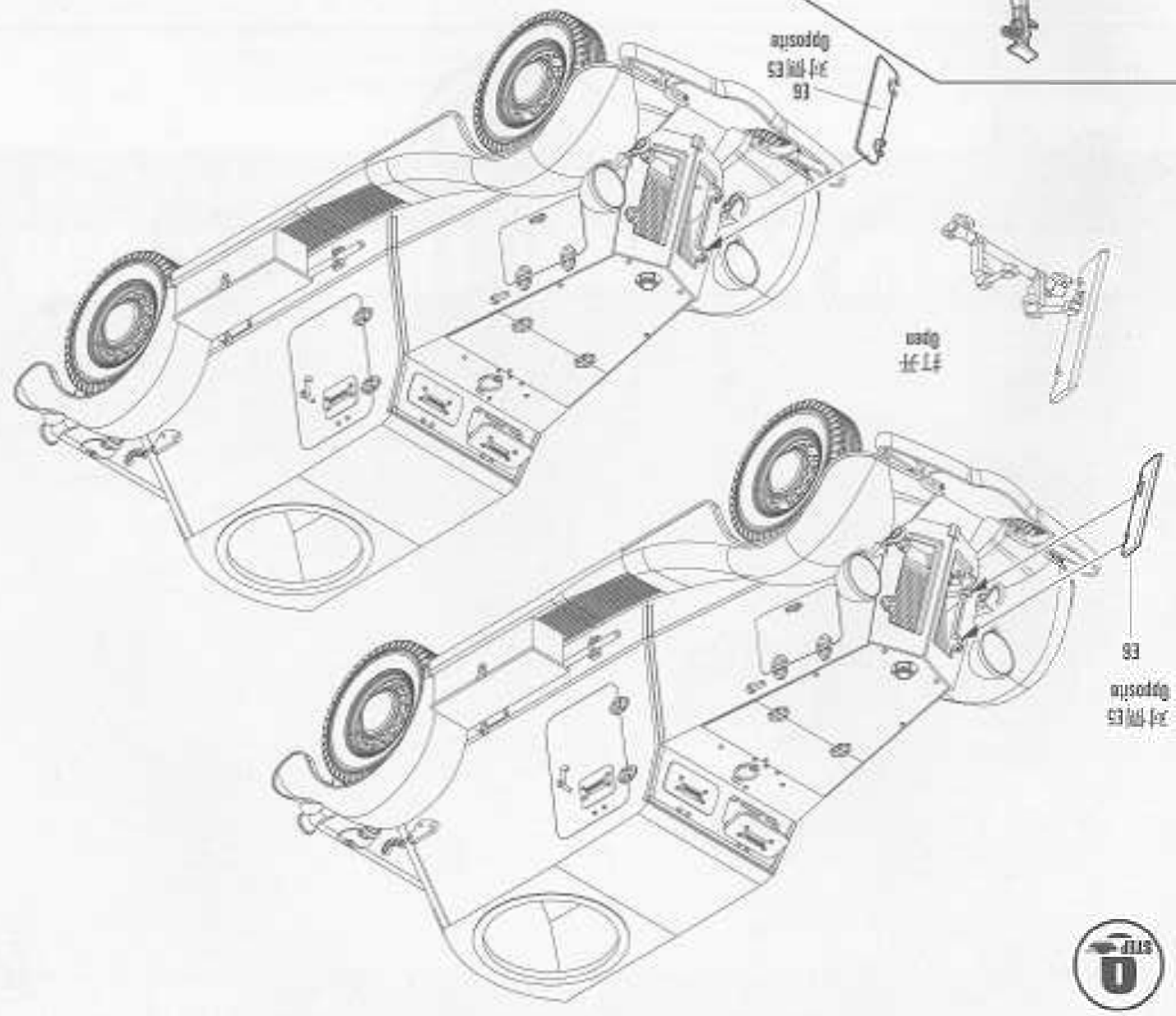
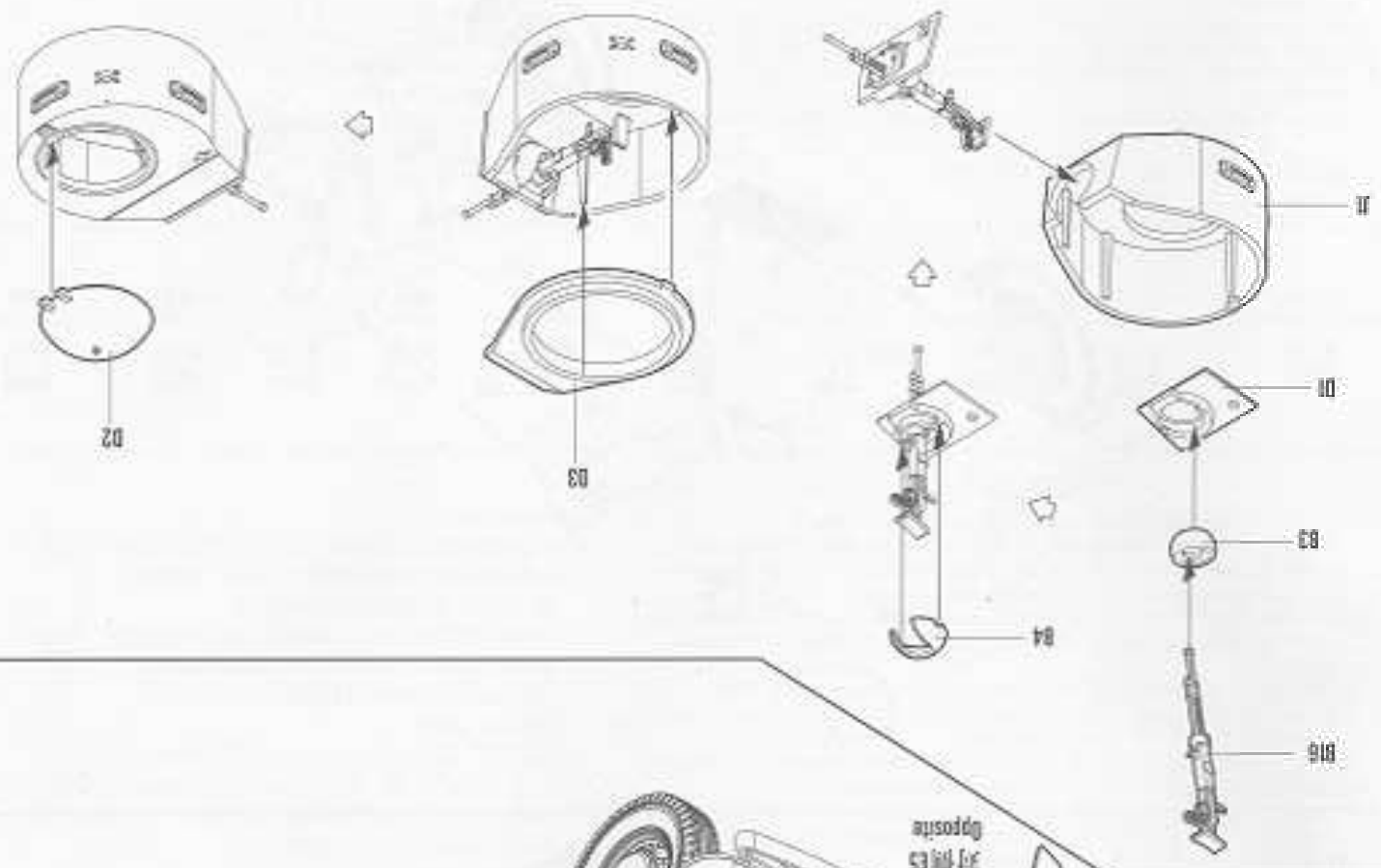


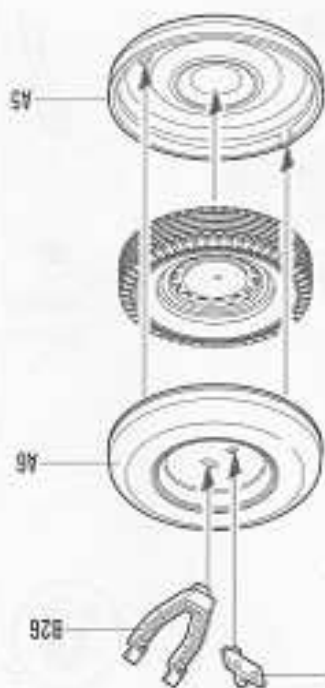
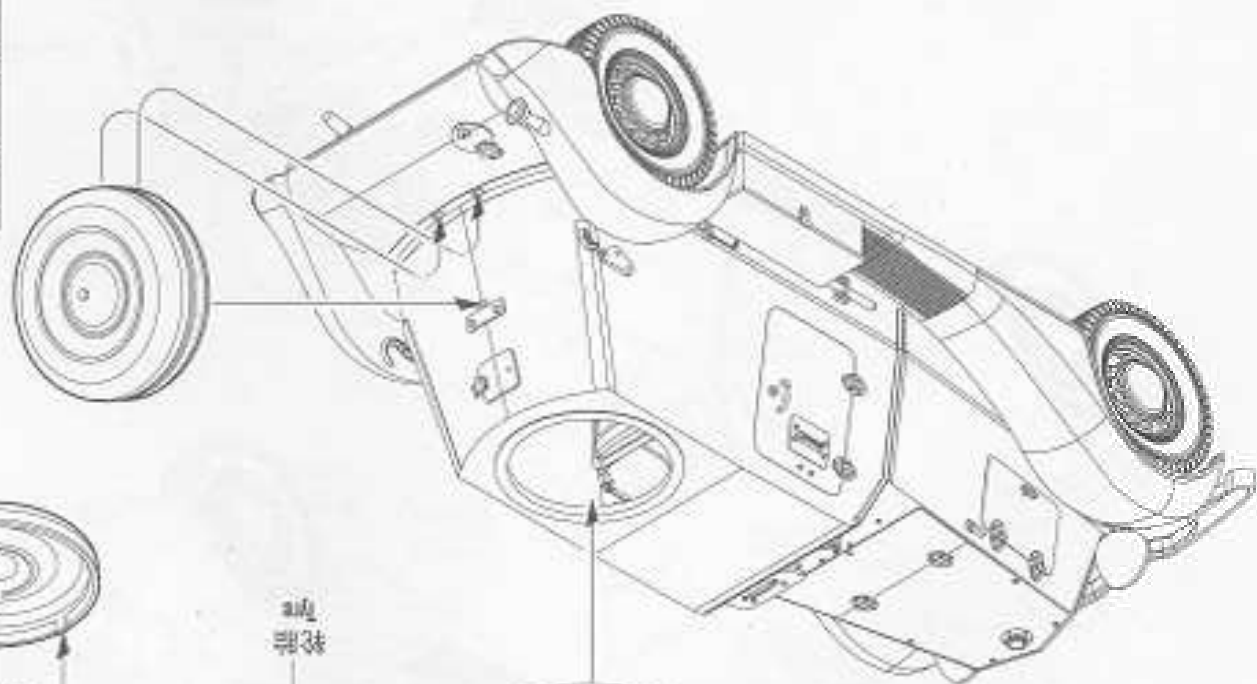
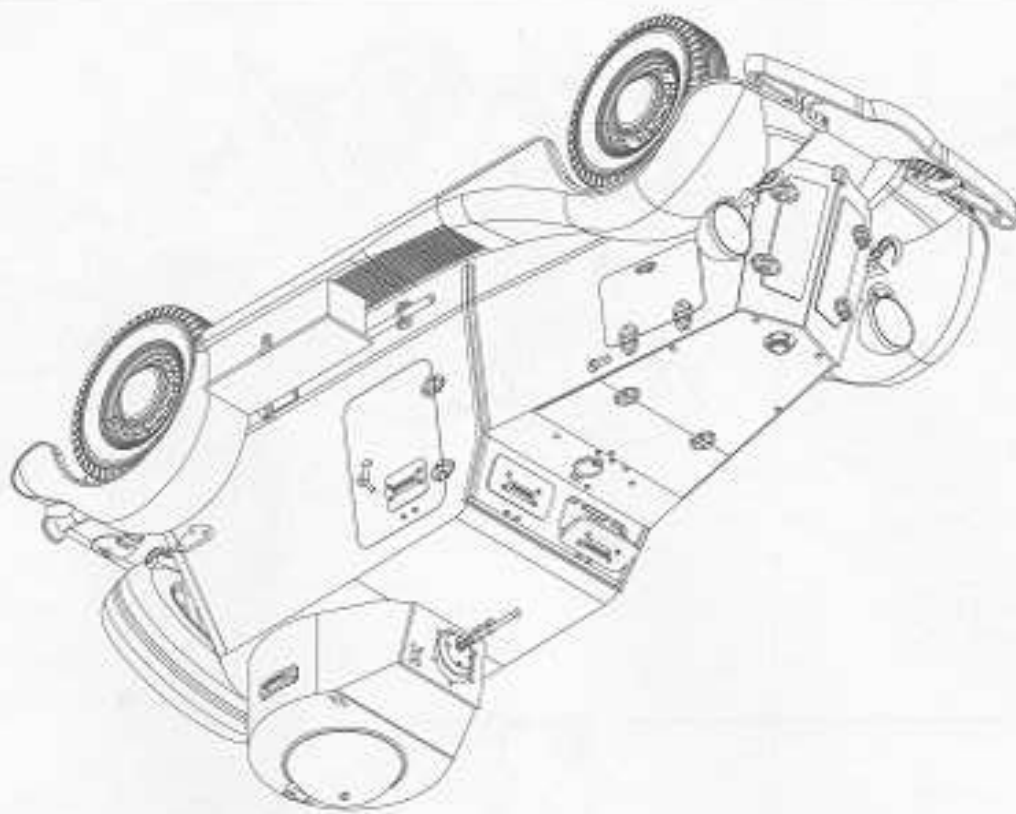




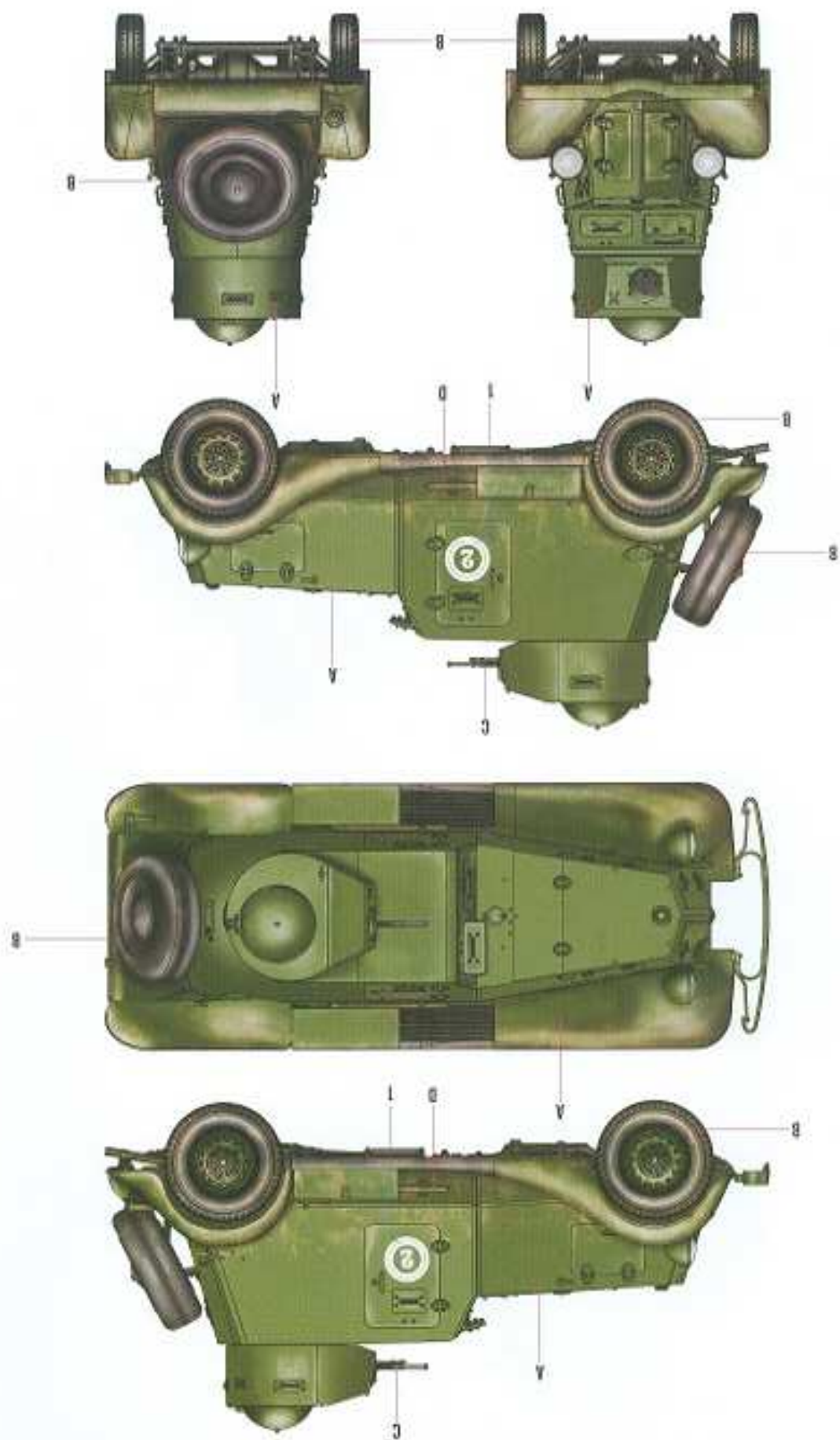


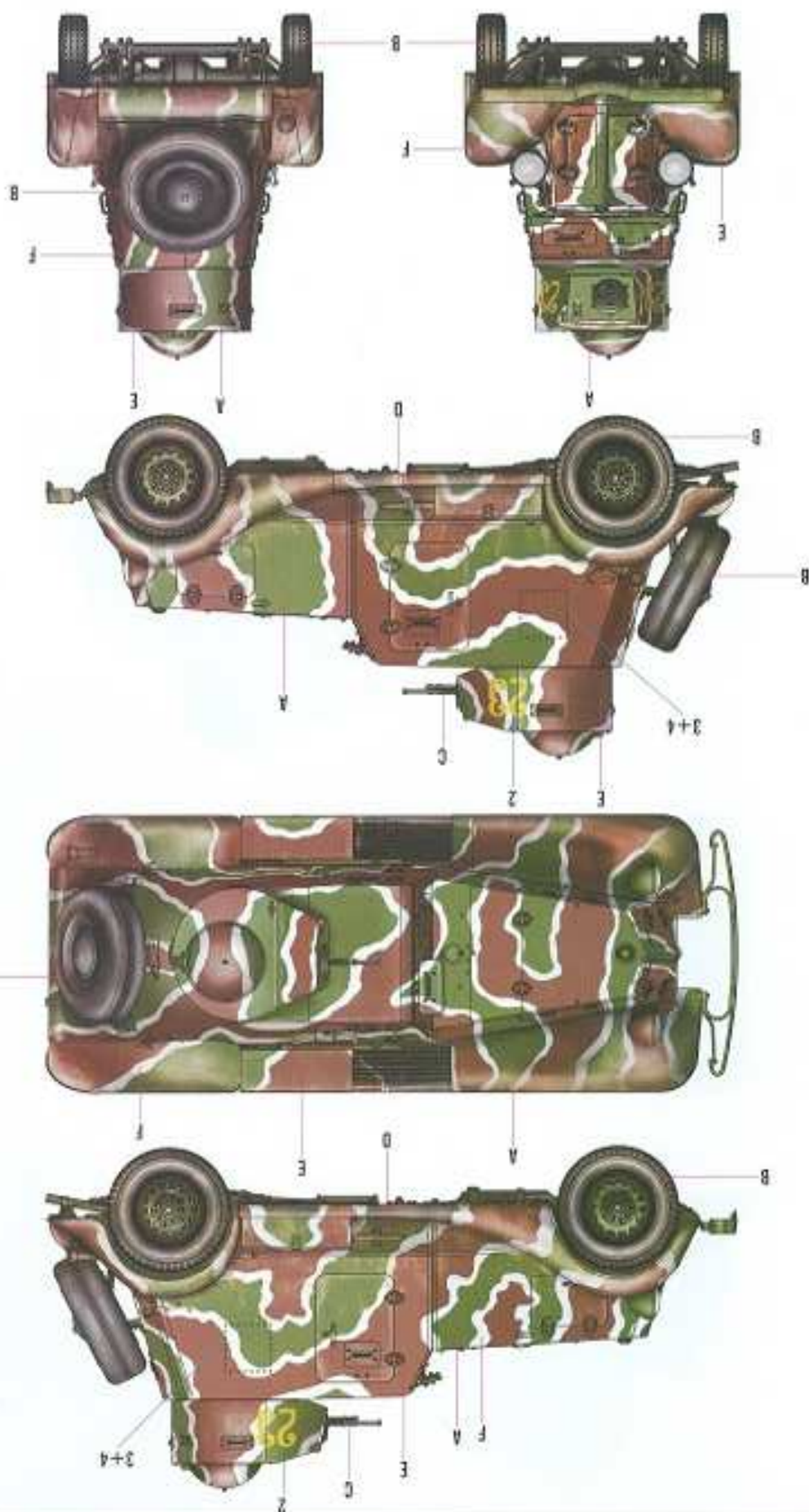






Color	Merchoby	Varsta	Model	Tamaya	Humbrol
A	苏联绿 Russian Green1	H 123	823	--	--
B	陆军色 Tm Blue	H 77 119	--	--	--
C	黑灰色 Dark	H 12 23	934	1402	--





Soviet BA-20 Armored Car Mod. 1939

ソビエト BA-20 裝甲車 1939 年型 前苏联 BA-20 裝甲車 1939 年型

MARKING & PAINTING

标贴与涂装

II

Color	Model	Value	Model	Value	Color	Value
F	White	991	White	991	F	22
E	Red Brown	994	Red Brown	994	E	100
D	Wood Green	993	Wood Green	993	D	100