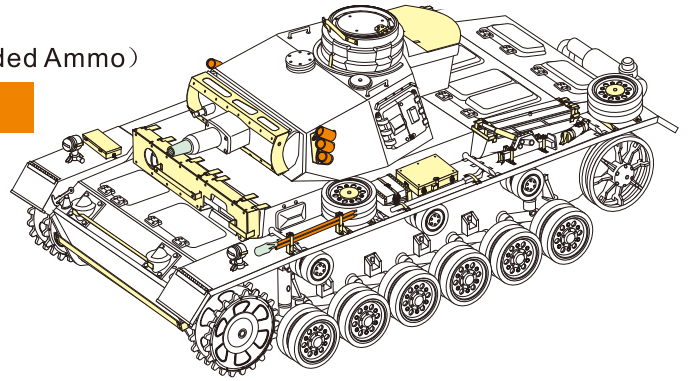


1/35 MILITARY MINIATURE VEHICLE UPGRADE SERIES PE351079

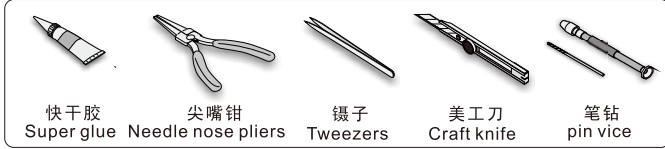
WWII German Pz.KPfw.III Ausf.M basic (B ver included Ammo)





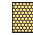




二战德军III号坦克N型基本改造件(B版本含炮弹)


[For TAKOM 8005]



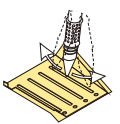
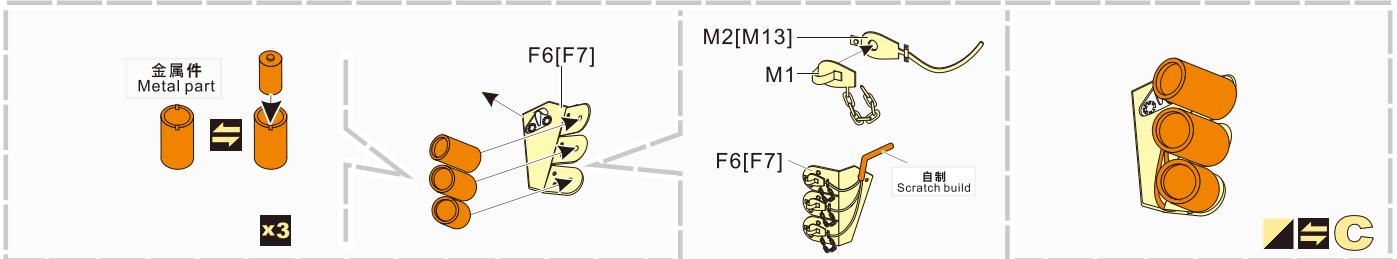
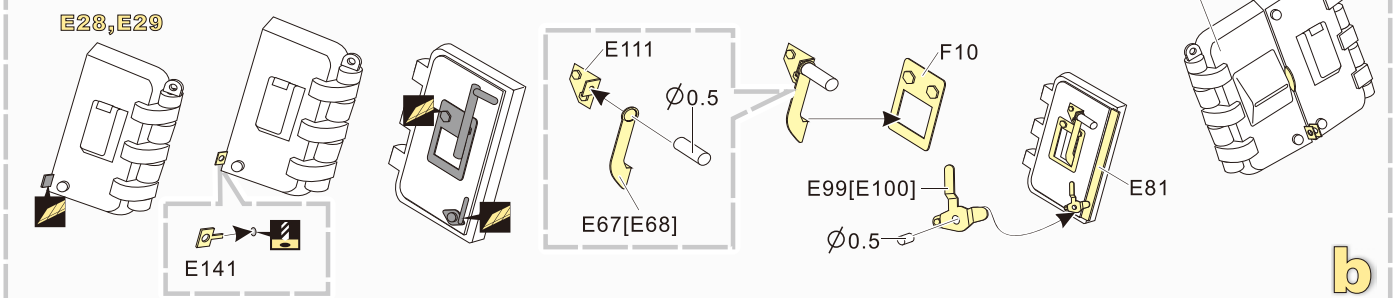
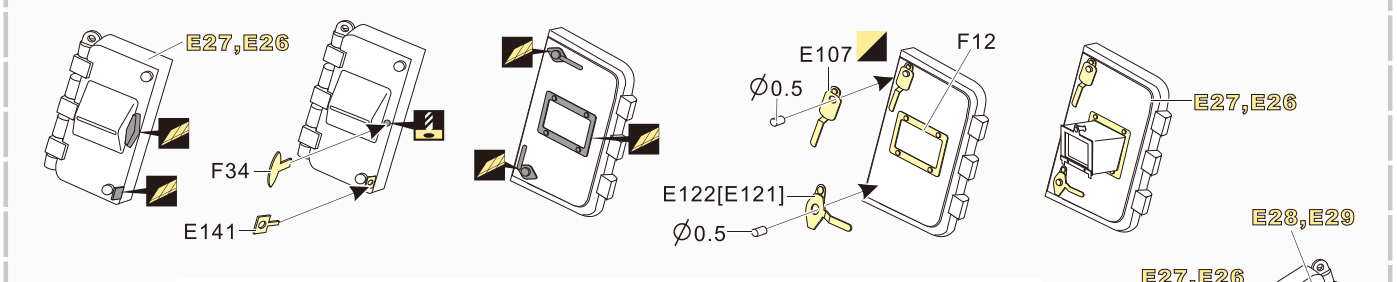
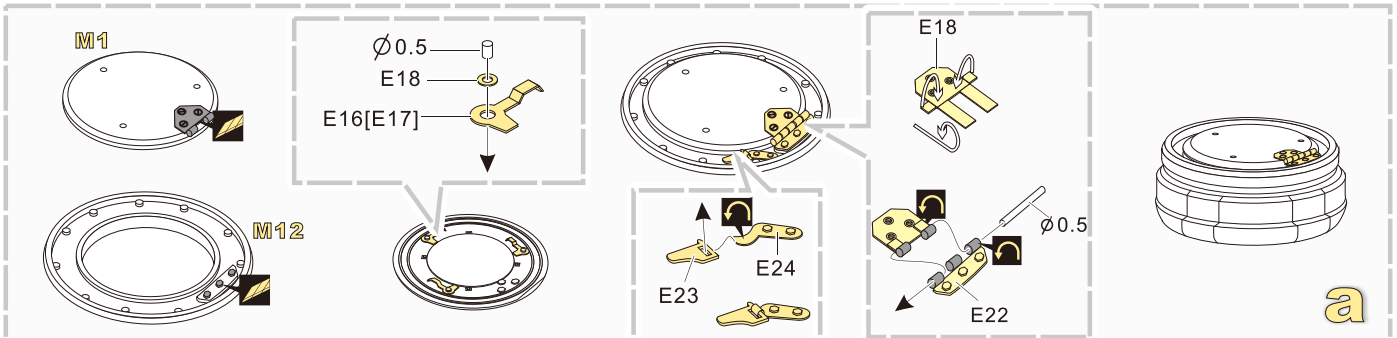
推荐使用工具 RECOMMENDED TOOLS



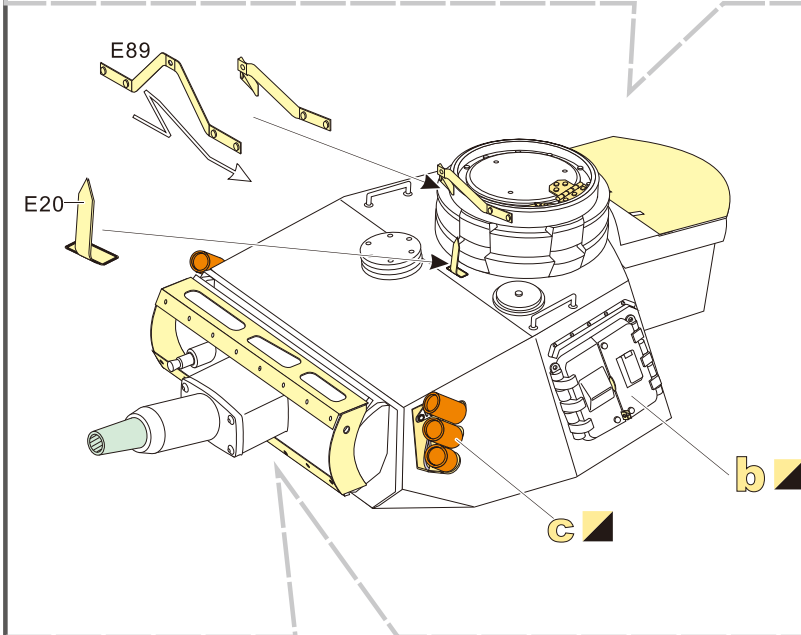
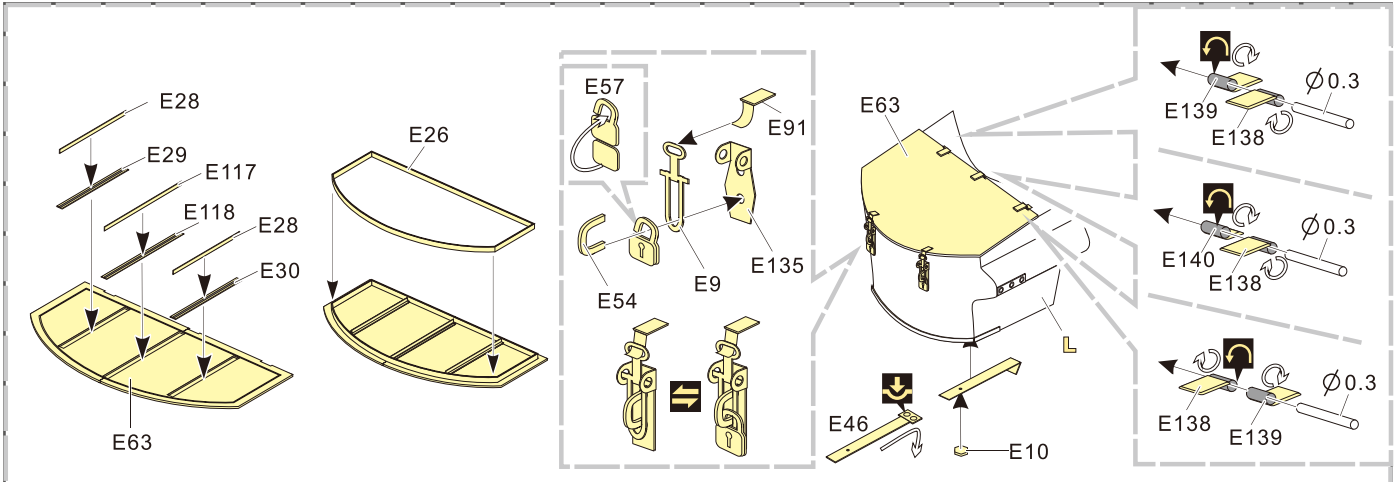
-   
 安装  
install
-   
 折叠  
bend
- A1**  
 改造件零件编号  
PE/resin part number
- B12**  
 原零件编号  
kit part number
- C22**  
 被替换的原零件编号  
replaced kit part number
-   
 另一侧相同制作  
repeat on opposite side
-   
 切除  
remove
-   
 打磨  
grind off
-   
 弧度卷曲  
radial bending
- x2**  
 制作若干组  
multiple assembly
-   
 选择安装  
alternative
-   
 用铜管制作  
make from brass tube
-   
 用胶棒制作  
make from plastic rod

  
 用尖端在凹槽处冲压  
use penpoint to press on the dent

蚀刻片零件内侧面向上  
Put the part upside down  
 用笔尖在凹槽处刮  
Use penpoint to press on the dent

1/35 MILITARY MINIATURE VEHICLE UPGRADE SERIES PE351079



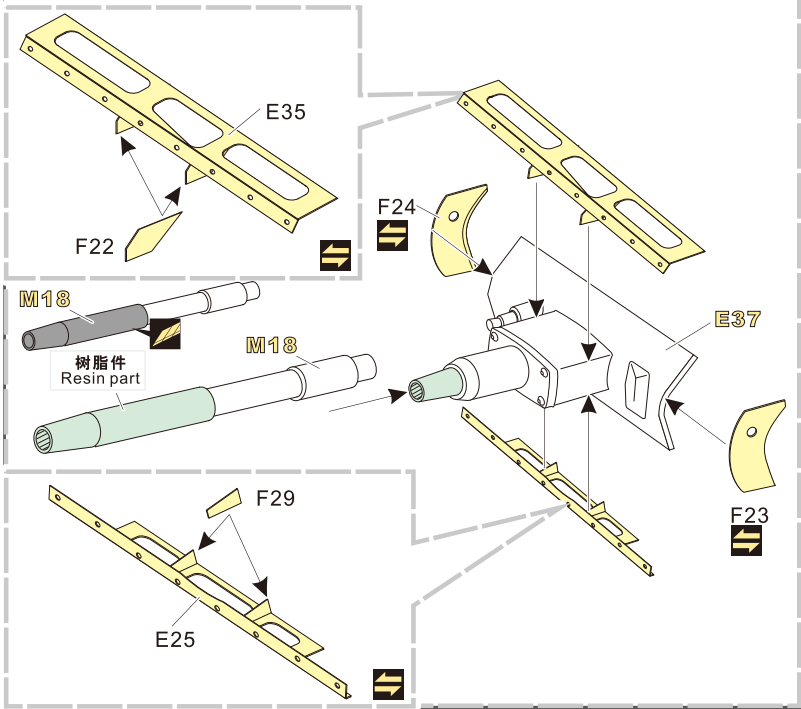
**THE STEPS IN THE BLACK BOX APPLY FOR PE351079 B VERSION**  
黑框内的步骤仅适用于PE351079 B版本

金属件 Metal part 3  
x4  
金属件 Metal part 1  
金属件 Metal part 2  
金属件 Metal part 3  
x6

**WWII German 75mm KwK 37/StuK 37 Ammunition**  
二战德军75mm KwK37/StuK37火炮用炮弹

Also fit for

	StuG III Ausf. A-E		Sd.Kfz. 234/3
	Pz Kpfw IV Ausf. A-E		Sd.Kfz. 251/9 Ausf. C-D
	Pz Kpfw III Ausf. N		Sd.Kfz. 250/8
			Aufklarungspanzer 38(t) mit 75mm Kw.K



**漏喷板使用说明:**  
Instruction:

未上色零件  
Unpainted part

喷橡胶黑  
spray tyre black

使用遮喷板为轮毂  
喷上所需要的颜色  
use template to paint  
required hub colour

**ac**

1/35 MILITARY MINIATURE VEHICLE UPGRADE SERIES PE351079

**d** E2, E15, E10, E14, 树脂件 Resin part, 金属件 Metal part, F21, A3, A4, x2 e

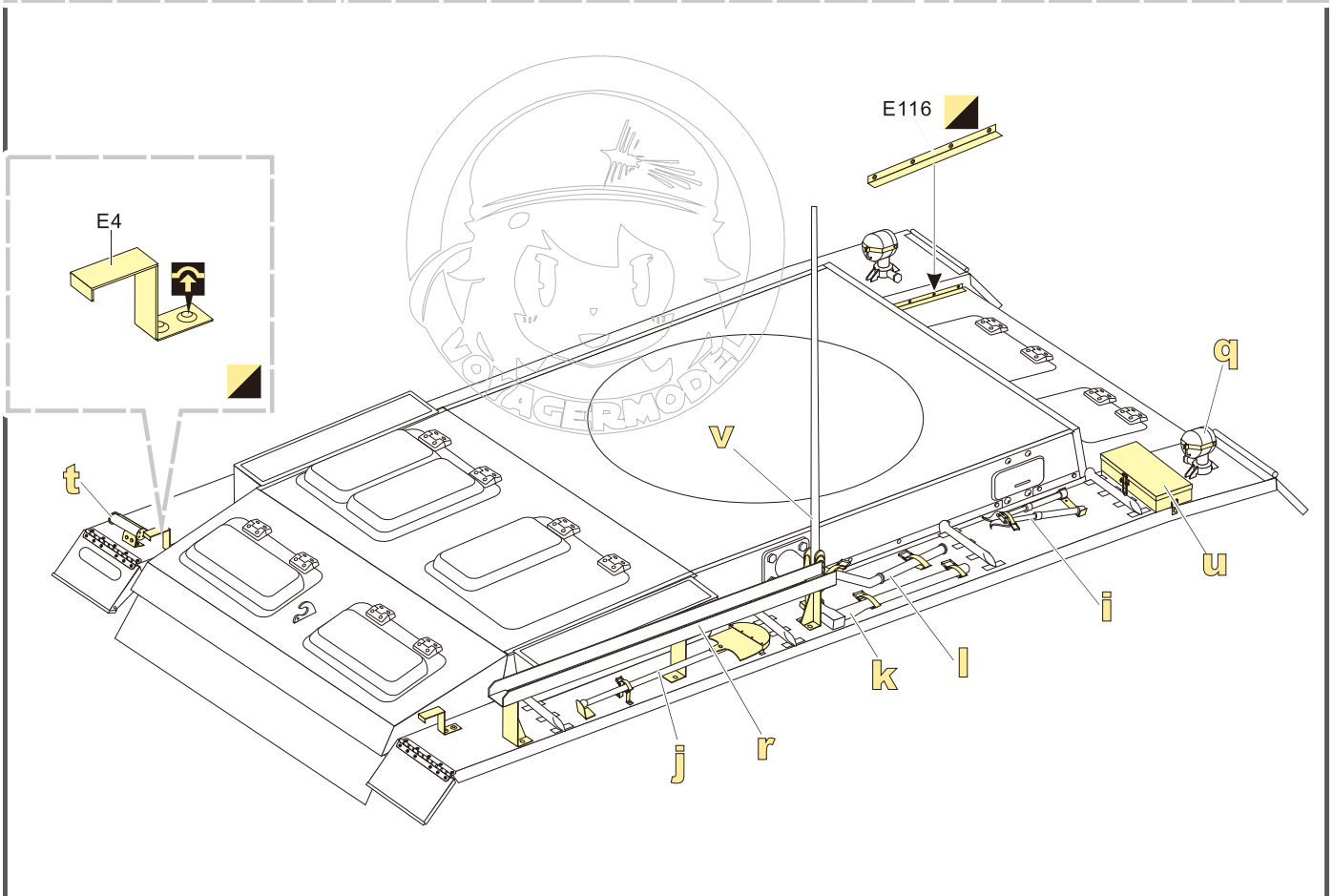
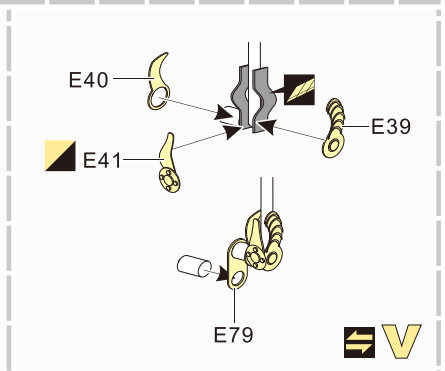
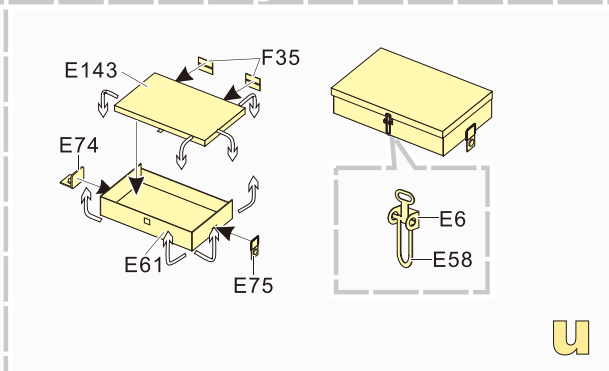
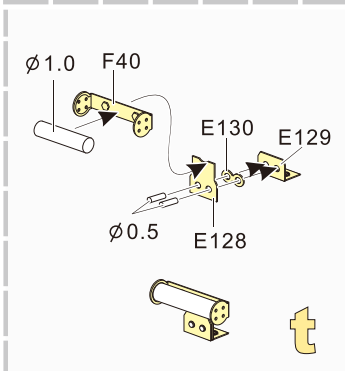
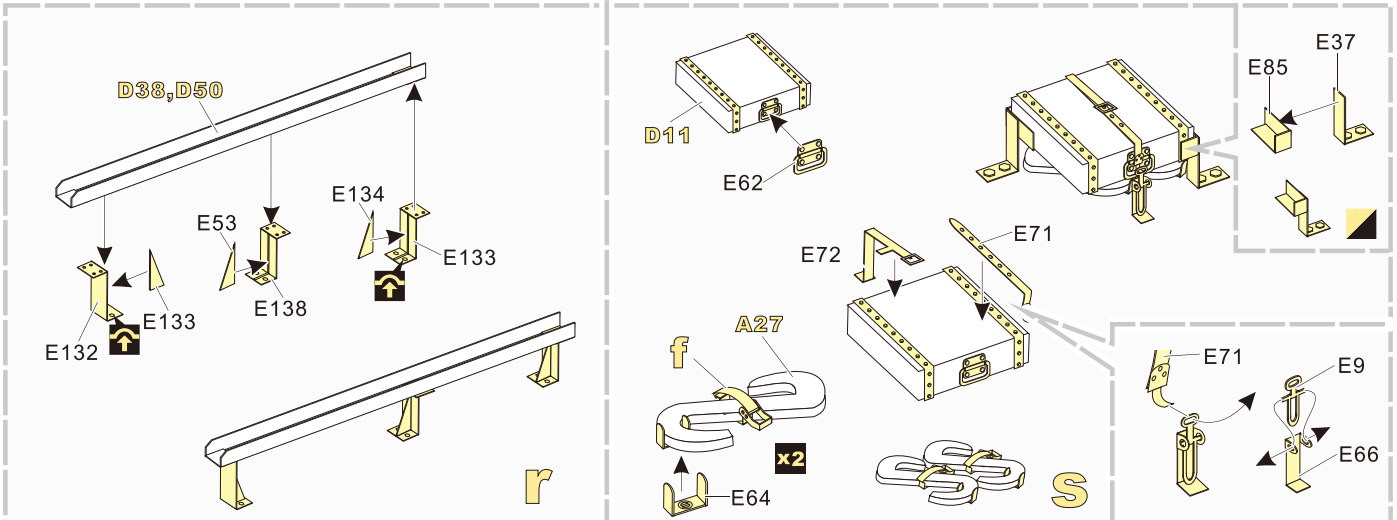
**e** E126, E80, E137, E127, E142, E80, D55, E97, E32, D29, E71, D31, F13, E58, E92, E48, E60, E49, j

**f** E34, g, D30, E120, k, f, D23, i, E94, E82, E119, E95, E73, 自制 Scratch build, m

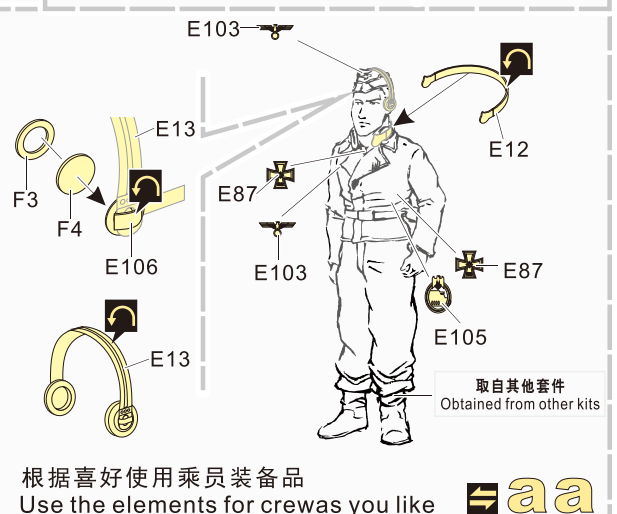
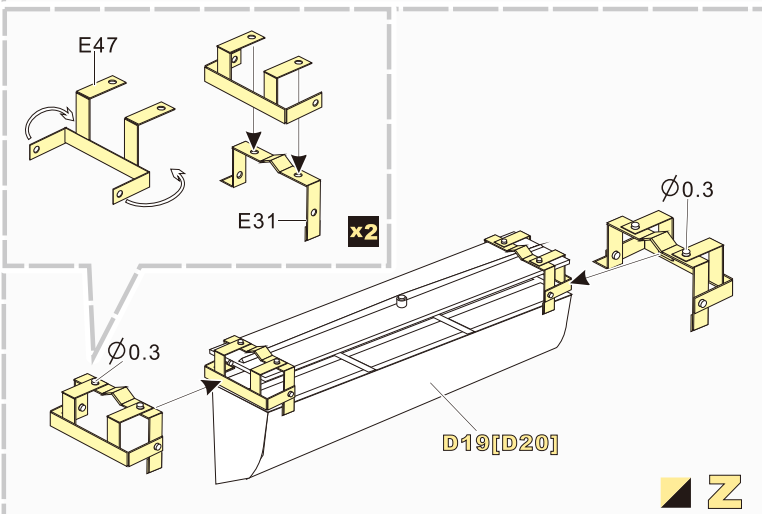
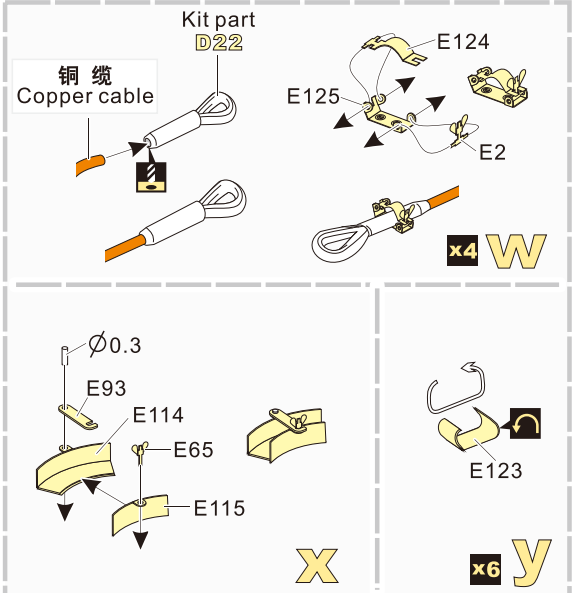
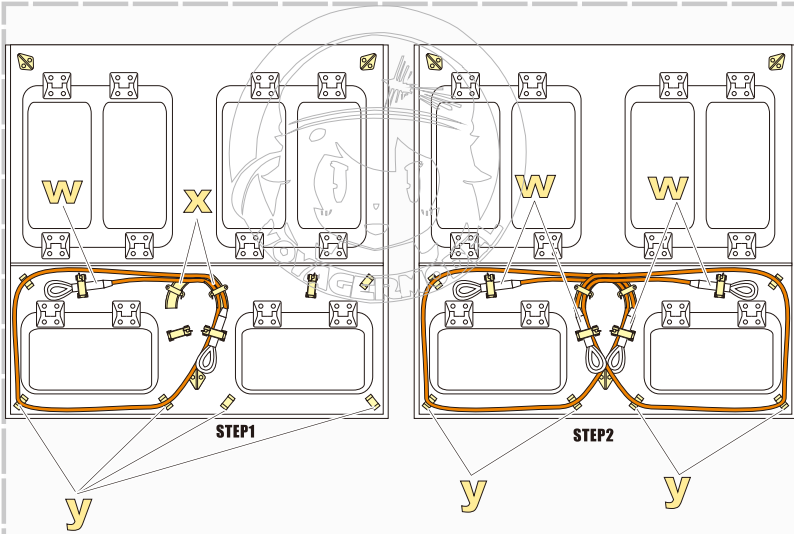
**g** F30, C2, C1, E83,  $\phi 0.5$ ,  $\phi 0.3$ , E38, E78,  $\phi 1.0$ , E69, E98, n, E42, E2, E42, E27, E104, F39, x2, E10, E88, A8, E101, E102, x2 o

**h** E142, E76, E74, E50, E59, E77, E74, E58, E6, x2, p, A28, A29, D47, E43, E31, F5, E52, Bosch, x2 q

1/35 MILITARY MINIATURE VEHICLE UPGRADE SERIES PE351079



1/35 MILITARY MINIATURE VEHICLE UPGRADE SERIES PE351079



根据喜好使用乘员装备品  
Use the elements for crews you like

