

Set: AC72-149.

AIRWAVES.

Japanese ww.2. Seat and component set.

This detailed set is manufactured from photo etched brass sheet and is meant for 1:72 scale Japanese W.W.2 Aircraft.

To separate components from frame, use a sharp modeling knife on a firm surface, cutting as near as possible to the part.

Tag scars can be removed by holding part in pliers and cleaning with a fine file.

To Fold support part upto fold line, fold in one go using a screwdriver blade, for best results use AIRWAVES FOLDING TOOL AM022.

To assemble use either superglue or five minute epoxy. Prior to painting ensure that all parts are thoroughly cleaned by washing in detergent, and rinsed in clean water.

Priming, when parts are thoroughly dry, prime parts with matt enamel.

The position of parts shown in diagrams are for guidance only and for final positioning and colouring, consult reference material.

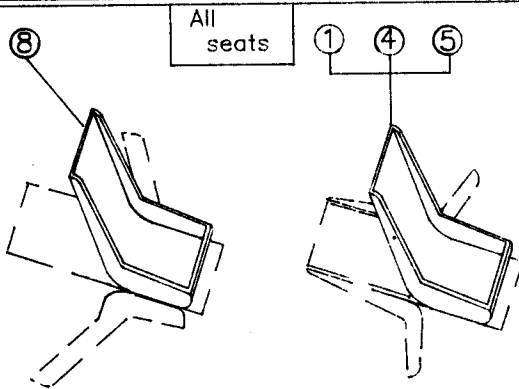
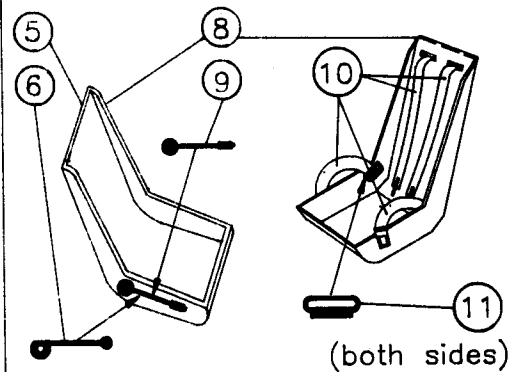
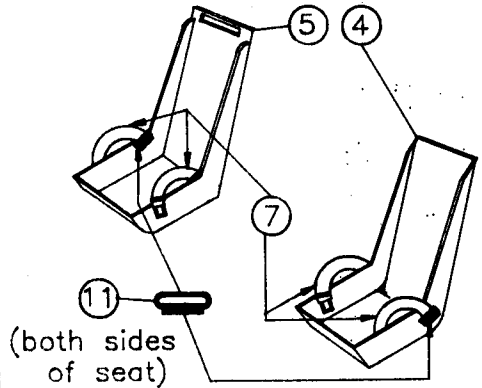
Manufactured by AIRWAVES in the Midlands for :

E.D. Models, 64, Stratford Road, Shirley, Solihull, B90 3LP.
Telephone : 021 744 7486.
FAX : 021 733 2591.

Also distributed in the U.S.A. by Military Model Distributors.
1115, Crowley Drive, Carrollton, Texas, 75011-5010.
Telephone : 1-800-527-0674.

Component List.

- | | |
|------------------------------|---------------------------------|
| 1: Kawasaki Ki61 Hienn seat. | 7: Seat belt set. |
| 2: Ki61 Hein seat Padding. | 8: Mitsubishi ASM Claude. |
| 3: Ki61 Hein seat plates. | 9: ASM Claude seat lever. |
| 4: Nakajima KiB4 Frank seat. | 10: ASM Claude seat belt set. |
| 5: Mitsubishi A6M Zero seat. | 11: Seat belt anker plates. |
| 6: A6M Zero seat lever. | 12: Undercarriage torque links. |
| | 13: Gun sight. |



Make from clear Acetate sheet.(Not inc.)

