

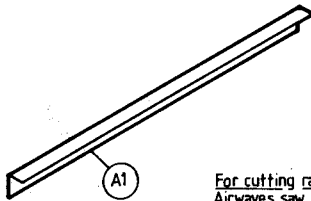
# Set AFV35-010

## AIRWAVES MK.IV TANK

This detail set is manufactured from photo etched brass sheet and is for use on the Emhar kit. To separate components from frame use a sharp modelling knife on a firm surface, cutting as near to the part as possible. Tag scars can be cleaned by holding part in pliers and using a fine file. To fold part, support up to line of fold and, fold in one go, using a screwdriver blade for leverage. For assembly use superglue or five minute epoxy. Prior to painting ensure that parts are thoroughly cleaned by washing in detergent and that they are primed with either self etching primer or matt enamel. Position of parts in diagrams are for guidance only, for final positioning and colouring consult reference material.

Airwaves are distributed by E.D. Models, 64 Stratford Road, Shirley, Solihull, West Midlands B90 3LP, England. Telephone: 021-744-7488. Fax: 021-733-2591.

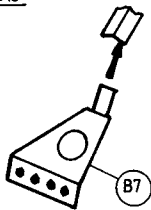
### 1 Unditching Beam Rail



Fold rails as shown.  
Cut length to suit particular  
setup of your model.  
Check references.

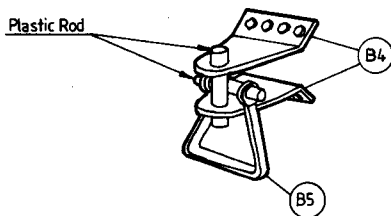
For cutting rails we recommend the use of  
Airwaves saw sets AM-08 & AM-09.

### 2 Rail Supports

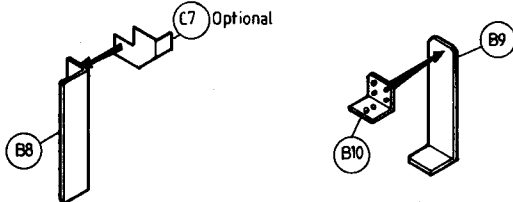


Used to support rail to front  
and rear hull sides.

### 3 Front Towing Bracket

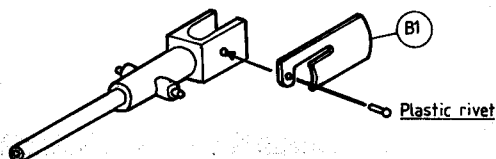


### 4 Vertical Rail Supports

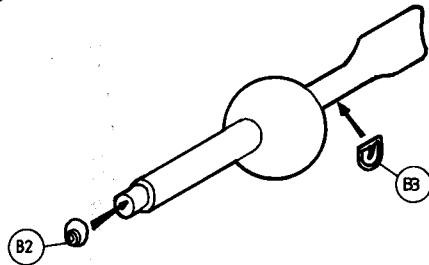


Check references.

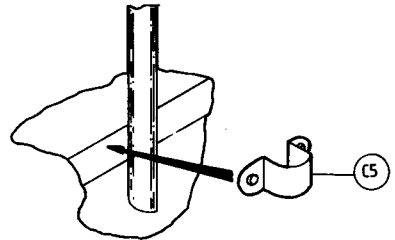
### 5 Main Guns



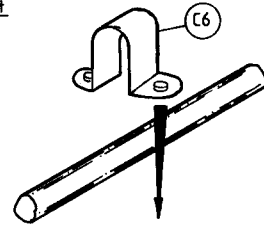
### 6 Machine Guns



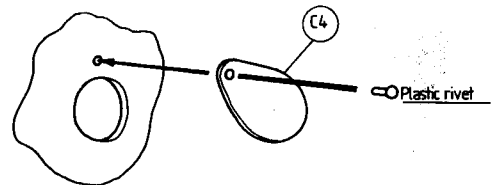
### 7 Rear Exhaust Bracket



### 8 Top Exhaust Bracket

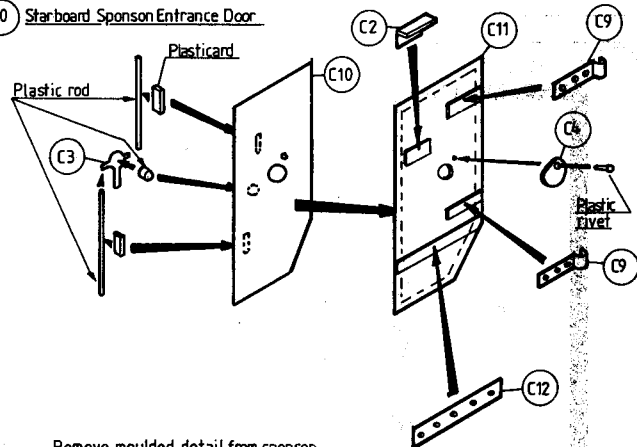


### 9 Rifle and Vision Ports



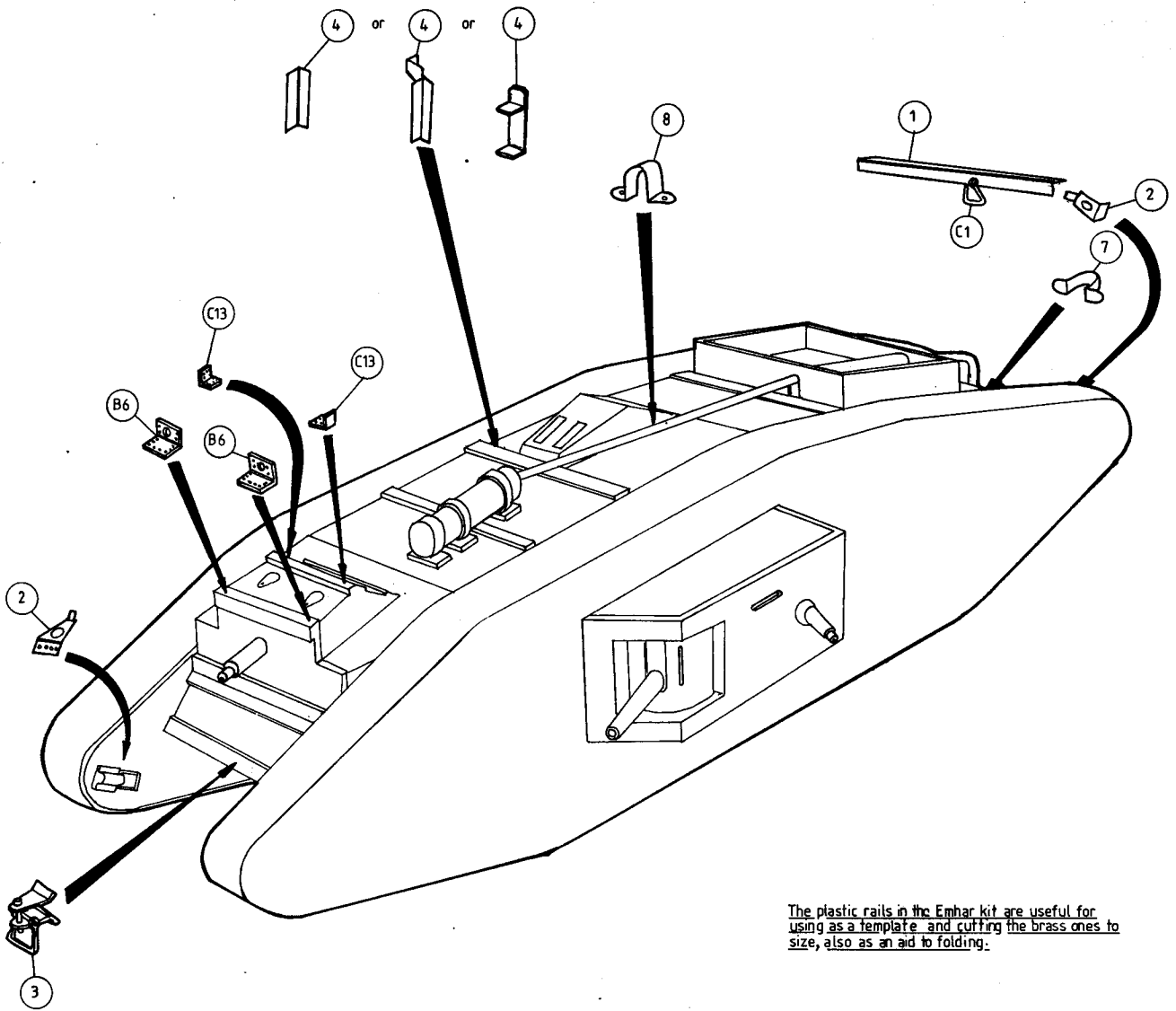
Remove moulded detail where used.  
Drill smaller diameter hole.

### 10 Starboard Sponson Entrance Door



Remove moulded detail from sponson  
leaving hinges intact.  
Cut door hole to suit C10.

11 General Assembly



The plastic rails in the Emhar kit are useful for using as a template and cutting the brass ones to size, also as an aid to folding.

(C) AIRWAVES

12 Component Frame Layout

