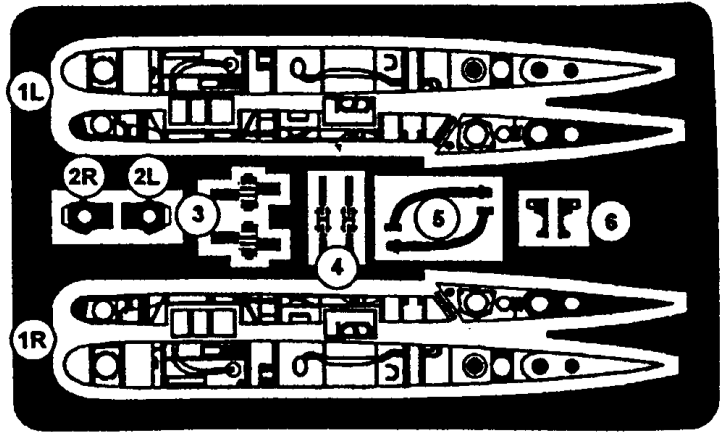


**H.S. Buccaneer S2
Wing Fold Set**

This Detail set is manufactured from photo - etched brass sheet and is for the Airfix/Matchbox/Frog model kits in 1/72 scale. Etched brass should be thoroughly cleaned by gently wiping with a solvent such as White Spirit and primed for painting. To separate parts, support fret on a firm surface, (i.e., a small sheet of glass or a plain ceramic tile) and cut as near to the part as possible using a sharp blade. To fold part use Airwaves Folding Tool AM022 for a good and even fold. For fixing parts, use Cyanoacrylate Adhesive (Superglue) or Epoxy resin.

Manufactured for and by:-
E.D. Models, 64 Stratford Road, Shirley,
Soliuhil, B90 3LP, England.
Telephone (44)- 0121-744-7488 Fax (44)- 0121-733-2591

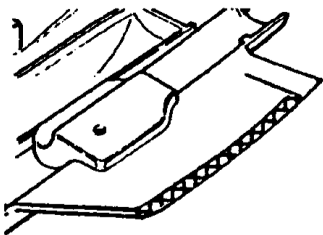
For further helpful hints to using etched brass and for full details of the extensive Airwaves range, get a copy of the latest Airwaves catalogue.



General Notes

1. The colour of the interior of the wing fold joint, is generally the same as the underside colour of the aircraft, even where the aircraft is only one colour.

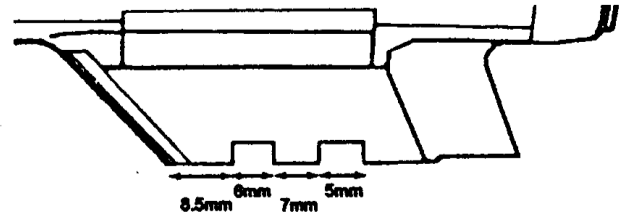
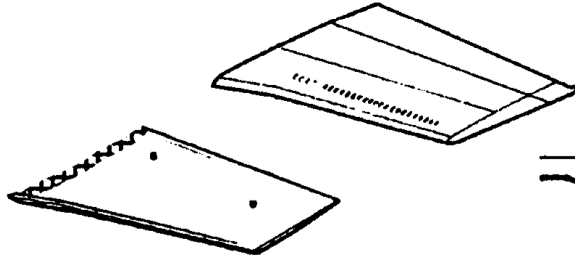
PREPARATION OF WING PARTS



To prepare the kit parts for fitting with photo etched wing fold parts, the first thing to do is to remove the blanked off butt joints from the inner and outer wing parts.

Next file down the inner surfaces so that they are thinner, in the cross hatched area shown above.

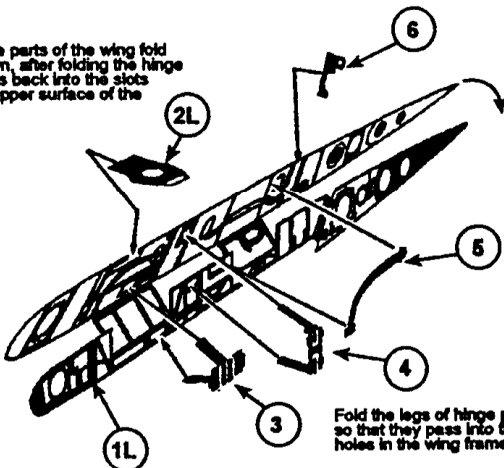
Do this to the upper and lower kit parts.



Slots need to be cut into the upper wing root only to the dimensions shown above

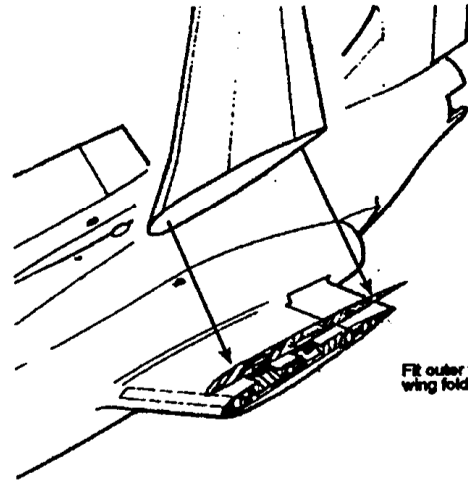
WING FOLD ASSEMBLY

Assemble the parts of the wing fold joint as shown, after folding the hinge recess panels back into the slots cut into the upper surface of the wing root.



Fold the legs of hinge parts 3 and 4 so that they pass into the locating holes in the wing frame where shown.

POSITION OUTER WING



Fit outer wing to the assembled wing fold joint as shown.

