

AN
EXPERTS-CHOICE
DECAL

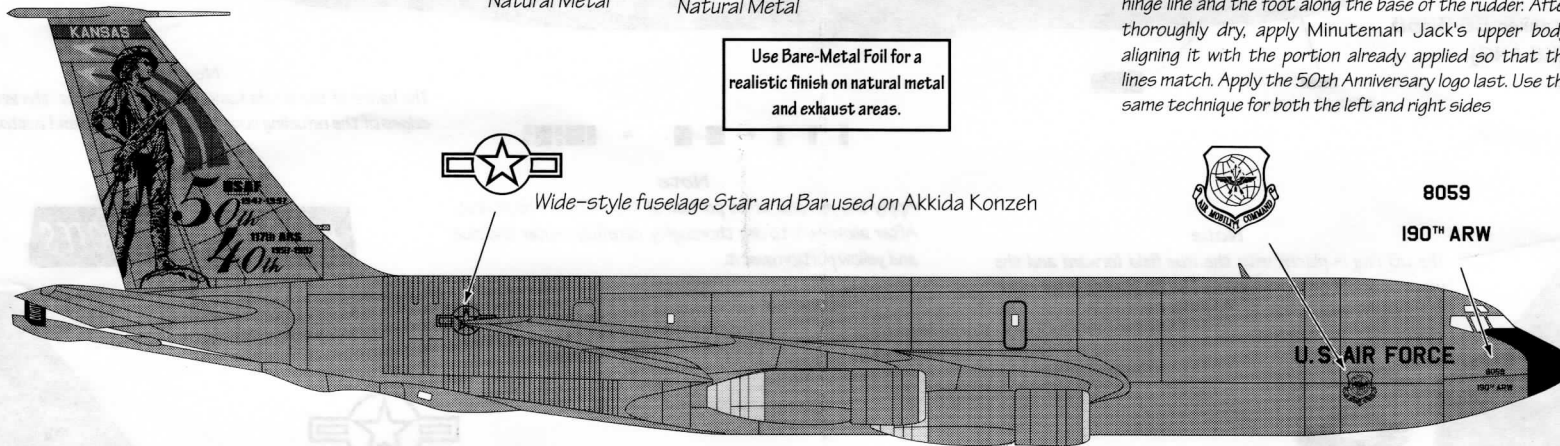
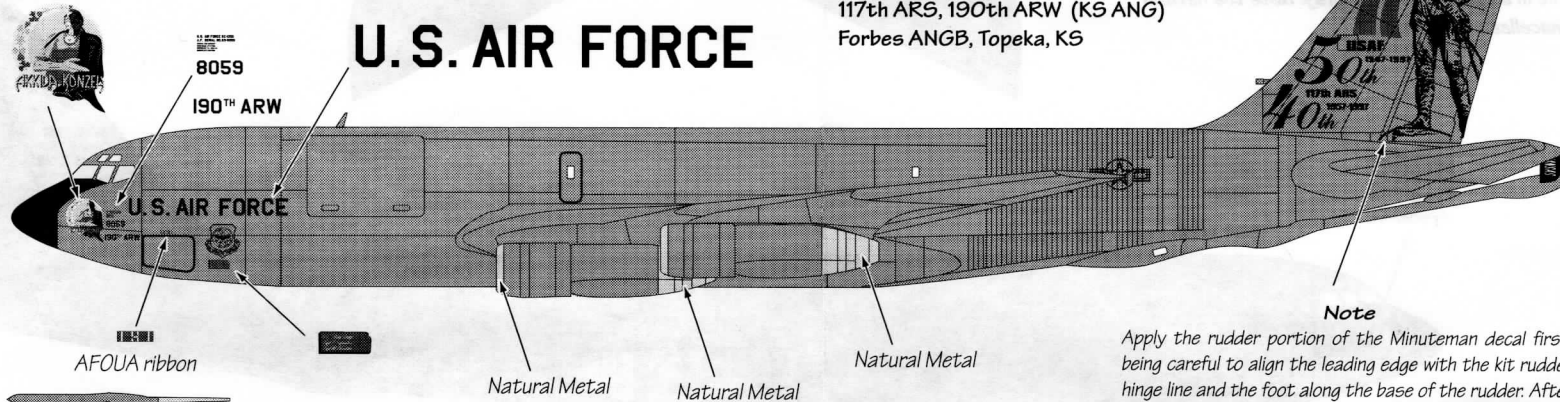
BARE-METAL FOIL CO. • P.O. BOX 82 • FARMINGTON, MI 48332

1/72 SCALE NO. 72-21
 KC-135s of the 117th ARS, KANSAS ANG 1997

These decals are designed to fit the
 1/72nd scale AMT/ERTL EC-135C kit

The KC-135D and KC-135E are best built from the AMT/ERTL EC-135C Airborne Command Post kit. Leave off all extra antennas, etc. The engines in the EC-135C kit, while *not* correct for that variant, *are* correct for both the KC-135D and KC-135E variants depicted.

Akkida Konzeh
 Boeing KC-135D Stratotanker 63-8059
 117th ARS, 190th ARW (KS ANG)
 Forbes ANGB, Topeka, KS



Use Bare-Metal Foil for a realistic finish on natural metal and exhaust areas.

Note

Apply the rudder portion of the Minuteman decal first, being careful to align the leading edge with the kit rudder hinge line and the foot along the base of the rudder. After thoroughly dry, apply Minuteman Jack's upper body, aligning it with the portion already applied so that the lines match. Apply the 50th Anniversary logo last. Use the same technique for both the left and right sides

About Minuteman Jack and Akkida Konzeh

Minuteman Jack is the nickname given to the 23-foot tall insignia painted on the tail of KC-135D 63-8059 of the 190th Air Refueling Wing, Kansas Air National Guard, to help celebrate the 50th anniversaries of the Air National Guard and the US Air Force in September, 1997, as well as the 40th anniversary of the 117th Air Refueling Squadron, the founding squadron of the 190th ARW.

Minuteman Jack was designed by SMS Jerry Geer and TSgt Mike Chandler of the 190th ARW in May, 1997. As official approval was required before it could be applied, the artwork was e-mailed to the Pentagon. The request was approved by the National Guard Bureau in record time — it came back in less than one hour!

The image was projected onto '8059's tail and it took about ten hours on each side for Chandler and crew chief TSgt Tom Fountain to sketch and mask the artwork before the final spray-painting could be accomplished. Minuteman Jack first took to the air on 24 June 1997.

Minuteman Jack joined nose art projects which adorn eleven other 190th ARW aircraft. The nose art of the 1990s reflects civic, state, and national pride and all the 190th's nose art was painted by its members. Minuteman Jack's tour of duty was brief as he was removed after the anniversary celebrations were over, but the aircraft's nose art remained. Akkida Konzeh is a Native American warrior from the Kaw tribe of Kansas and means *Warrior of Kansas*. The design was

painted by TSgt Chandler in 1996 and is based on a statue of the warrior which stands in Council Grove, Kansas.

KC-135D is the designation applied to four KC-135As obtained by SAC from MAC in 1980 and converted to the pure tanker configuration. After transfer to the reserve component, the four were re-engined with TF33 turbofan engines but retained their designations. They are today externally identical to the standard Air Guard KC-135Es.

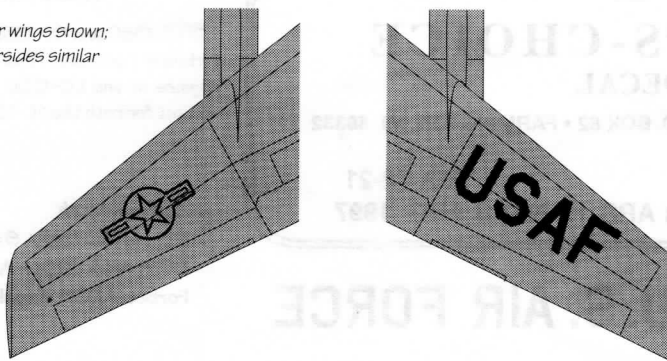
Custom Art By



Send \$2.50 for a complete list of other beautiful and accurate EXPERT'S-CHOICE Decals and other products.

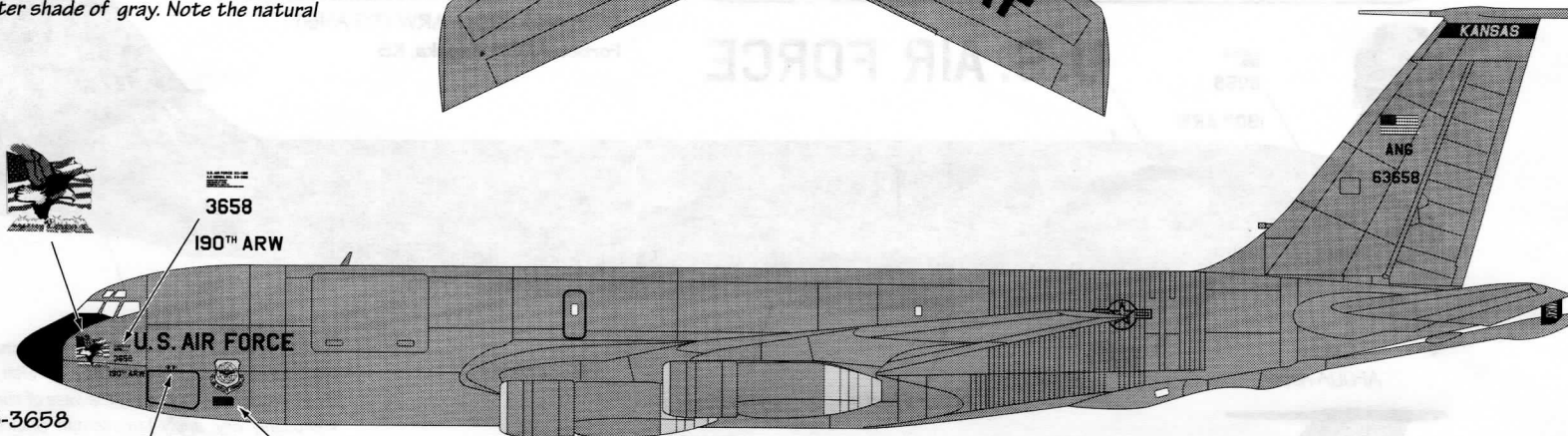
All 190th ARW aircraft carry the standard AMC paint scheme of FS16373 Battle Gray overall with the nose radome, antiglare panel, and boom ruddervators painted flat black. Crew doors are outlined in black and sometimes appear to be in a lighter shade of gray. Note the natural metal areas on the engine nacelles.

Upper wings shown; undersides similar

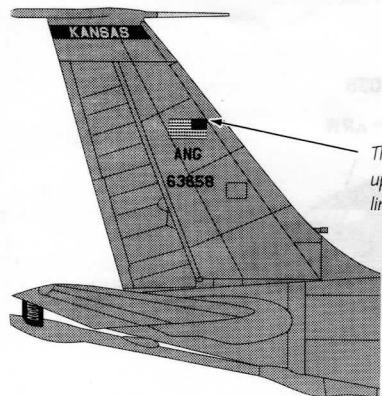


Special thanks go to Jerry Geer for providing photos and textual information used to prepare this decal. Thanks also to Ben Backes for some additional photos.

Iron Eagle
Boeing KC-135E Stratotanker 56-3658
117th ARS, 190TH ARW (KS ANG)
Forbes ANGB, Topeka, KS



AFOWA ribbon



Note
The US flag is placed with the blue field forward and the upper forward corner touching the fin leading edge panel line on both sides of the vertical tail.



1429
190TH ARW

AFOWA ribbon

High Plains Predator
Boeing KC-135E Stratotanker 57-1429
117th ARS, 190TH ARW (KS ANG)
Forbes ANGB, Topeka, KS



Standard lo-vis fuselage Star and Bar used on Iron Eagle and High Plains Predator



Note
The bases of the words Kansas Coyotes are at the leading edges of the refueling boom ruddervators, top and bottom.

KANSAS **COYOTES**

Forward
(towards the aircraft nose)