

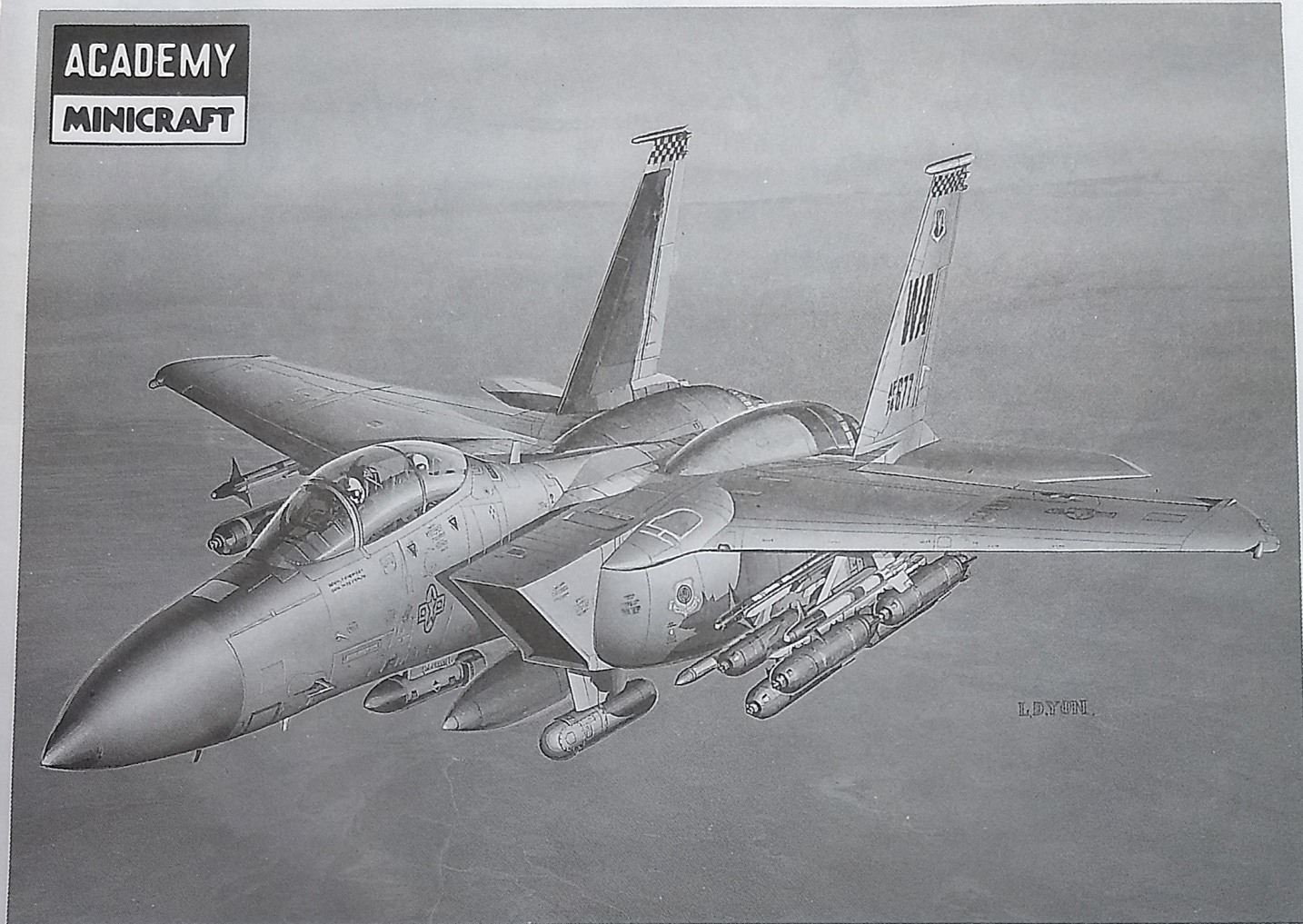
McDonnell Douglas

F-15E STRIKE-EAGLE

WITH WEAPONS

ACADEMY

MINICRAFT



1/48 TH SCALE

Although the F-15 Eagle was designed specifically for the dog fighting role, its versatility has led to the development of a dedicated ground aircraft which retaining the exceptional performance characteristics of the fighter version. The F-15E is an expansion of the two seat F-15B trainer model of the Eagle. Among the most noticeable features of the F-15E are a pair of bulbous external fuel tanks which are blended between the wings and fuselage sides. These huge tanks carry enough fuel to nearly double the normal amount carried by the basic F-15. In addition, these conformal tanks contain sensors and tactical systems, and are called FAST packs. This stands for *Fuel And Sensor Tactical*.

The first *Strike Eagle* was modified from the prototype F-15B and flew against the General Dynamics F-16XL in a competition for an *Enhanced Tactical Fighter*. Although its primary objectives would be ground targets, the *Strike Eagle* would still be capable of engaging in a dogfight if necessary.

The *Eagle's* twin Pratt & Whitney F100 afterburning turbofans provide 10,000 more pounds of thrust than the weight of the plane. This allows the F-15 to maneuver tightly without sacrificing precious air speed. The *Eagle* carries one 20mm rotary cannon as standard equipment, but eight hardpoints can carry an enormous variety of additional weaponry to enhance the combat abilities of the plane.



Cement Parts
Coller
Kleben
Pegar
Incollare
Cola
Kleven



DO NOT cement
Ne pas coller
Nicht kleben
No pegar
Non incollare
Nao colar
Niet kleven



Cut away
Couper
Scheiden
Cortar
Tagliare
Cortar
Snijden



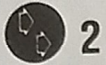
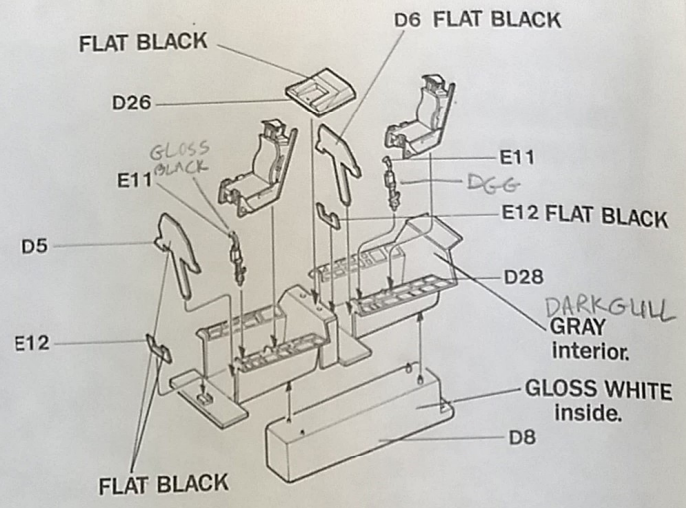
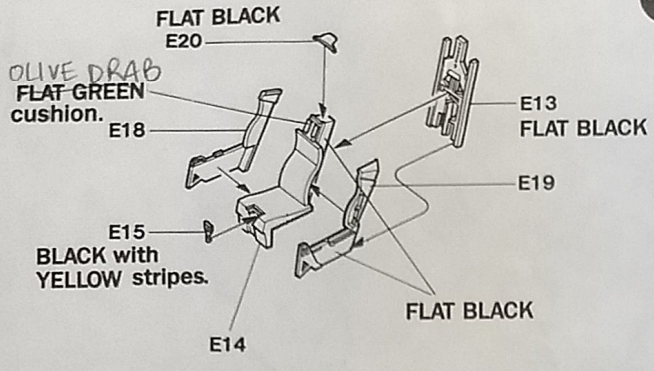
Optional parts
Choix
Auswahlmoglichkeit
Eleccion
Scelta
Opcao
Keuze



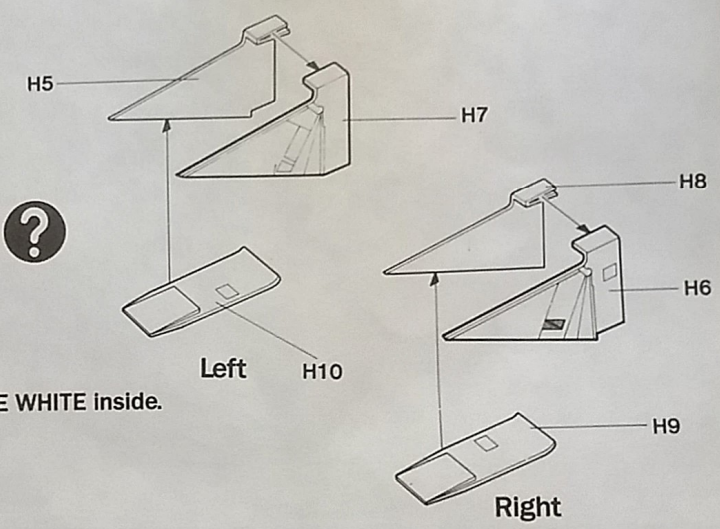
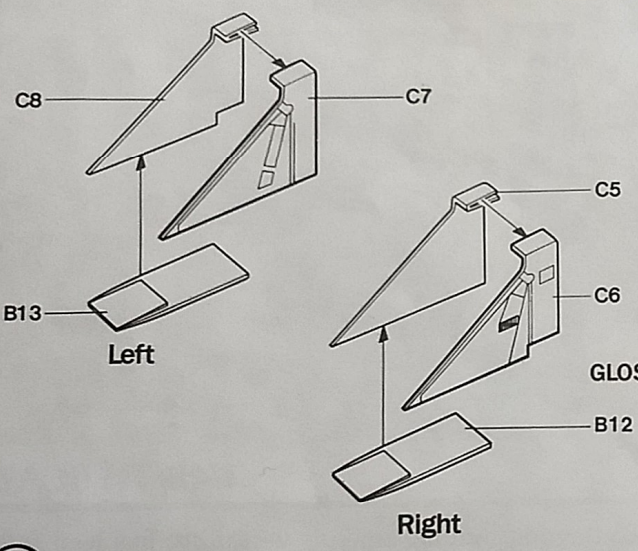
3

Repeat operation
Répéter l'opération
Vorgang wiederholen
Repitir la operacion
Repitire
Repitir a operação
Herhalen

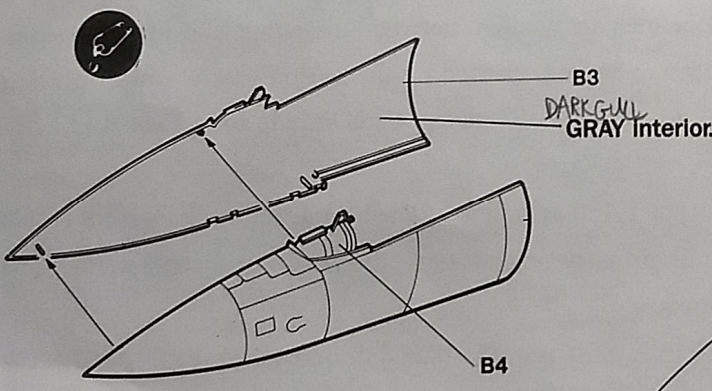
1 EJECTION SEATS AND COCKPIT



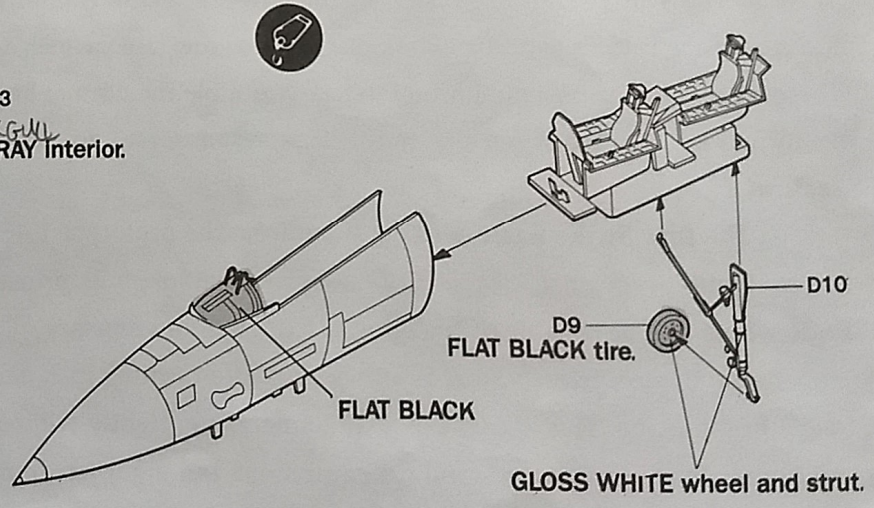
2 INTAKE ASSEMBLIES



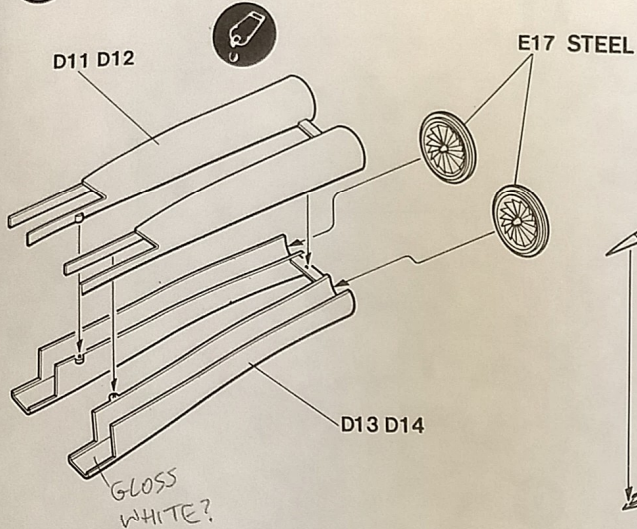
3 NOSE ASSEMBLY



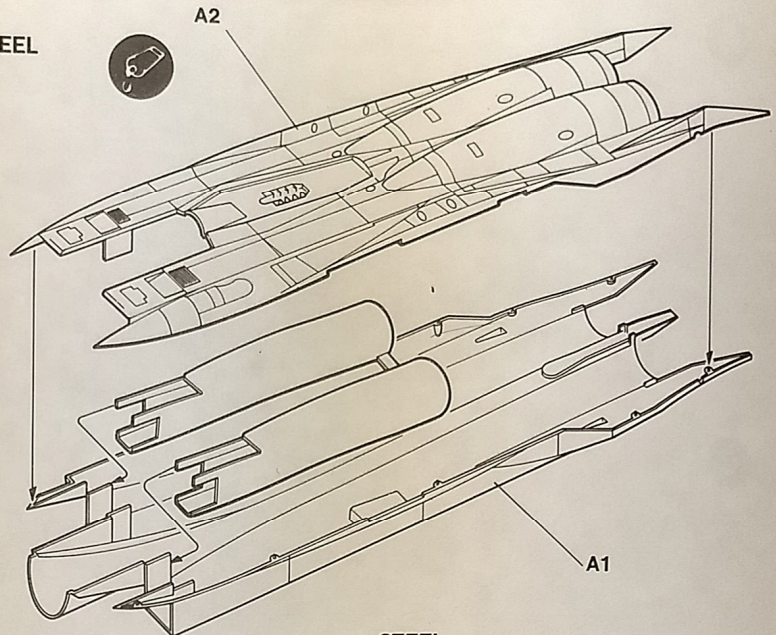
4 COCKPIT AND NOSE WHEEL INSTALLATION



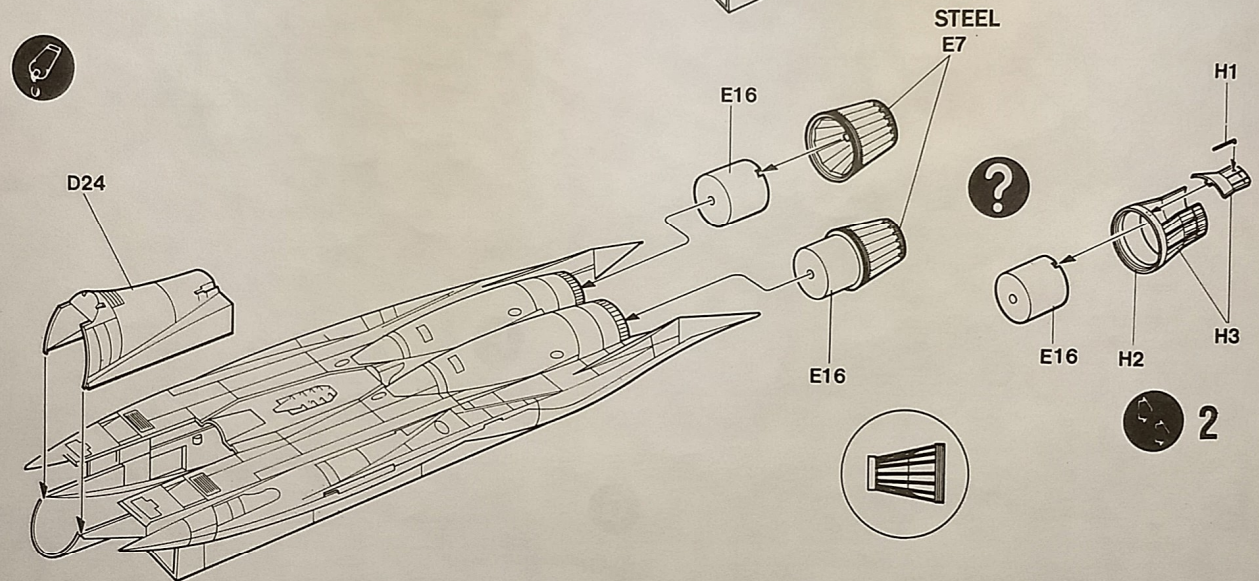
5 ENGINES



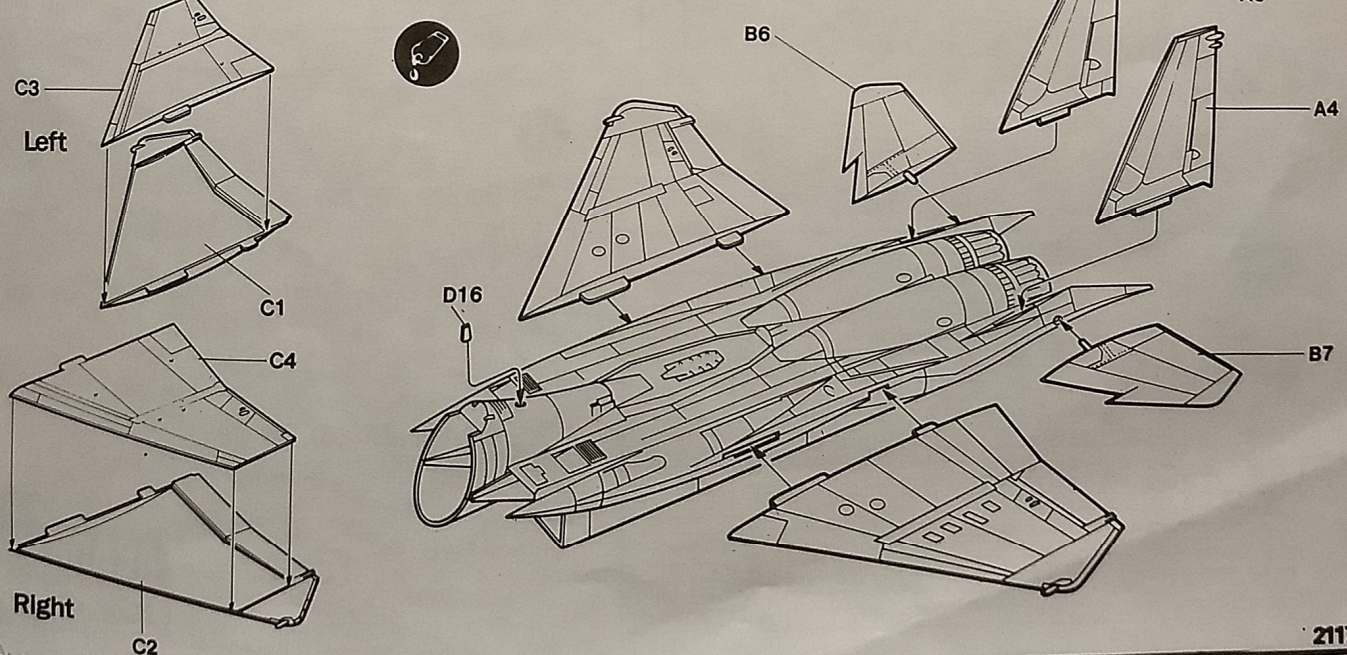
6 ENGINE INSTALLATION



7 AFTERBURNERS



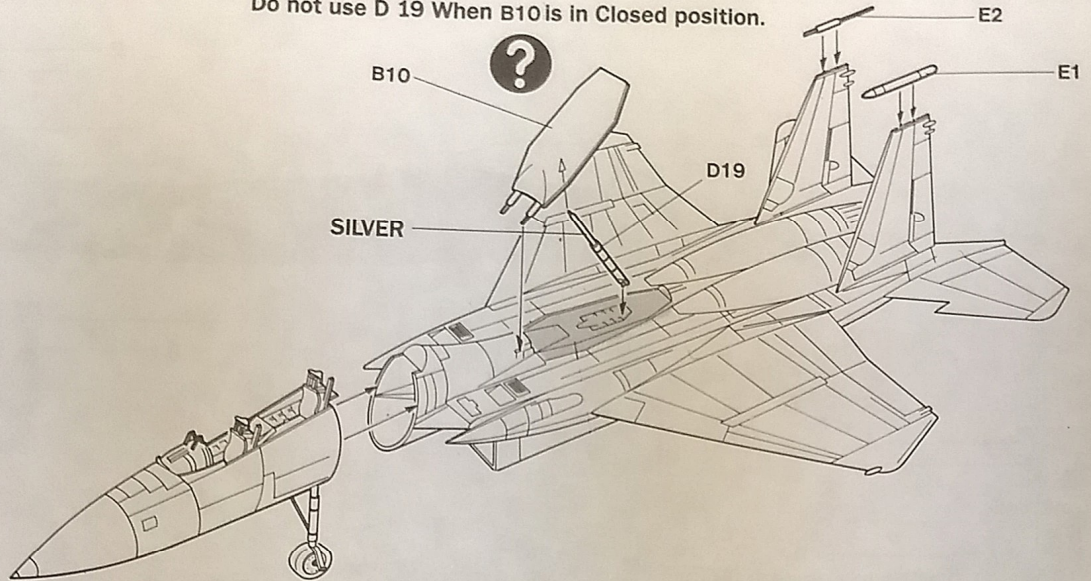
8 WING AND TAIL ASSEMBLIES



9 NOSE INSTALLATION



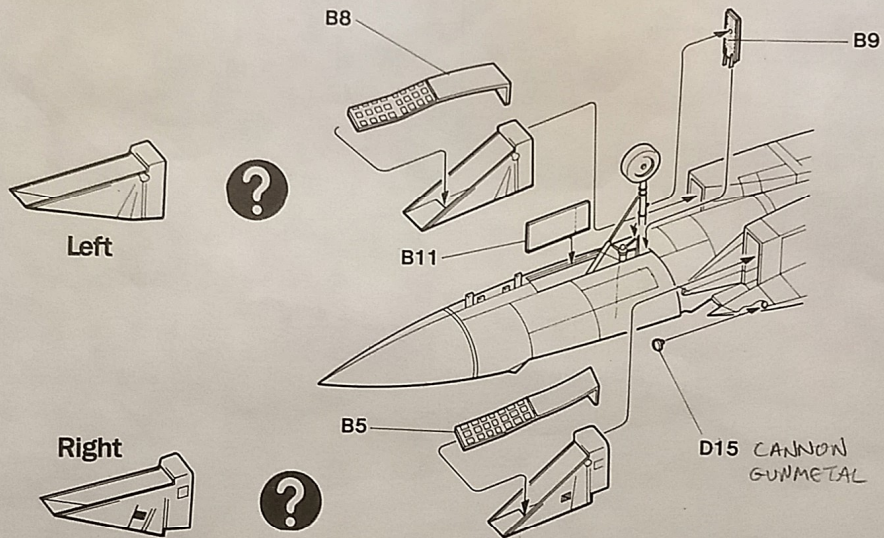
Do not use D 19 When B10 is in Closed position.



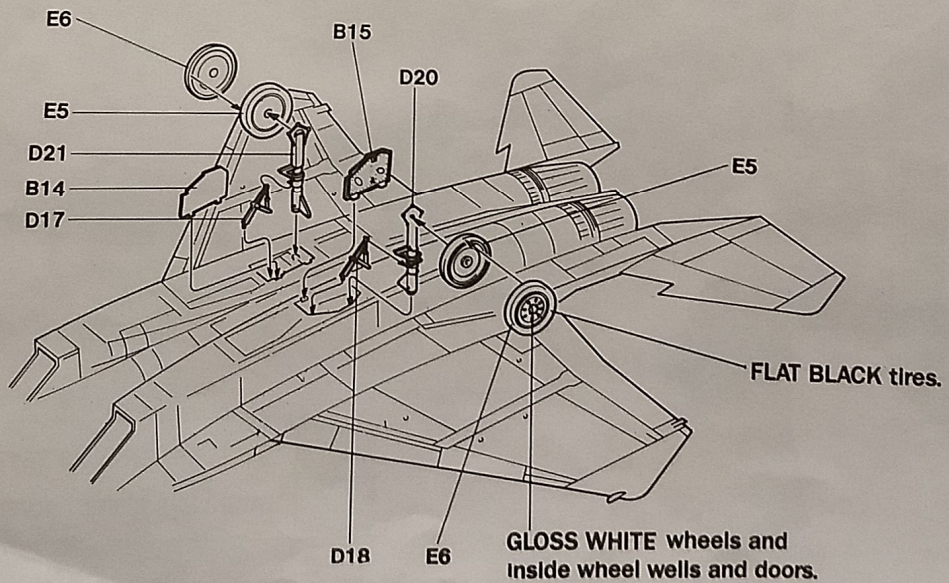
10 INTAKE INSTALLATION



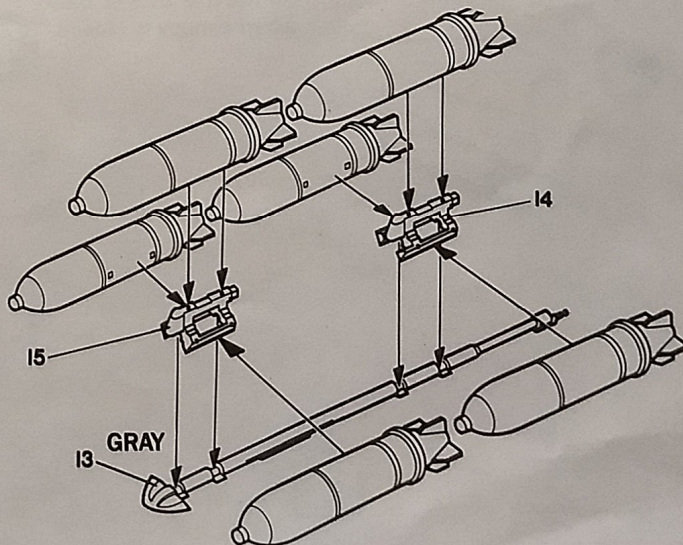
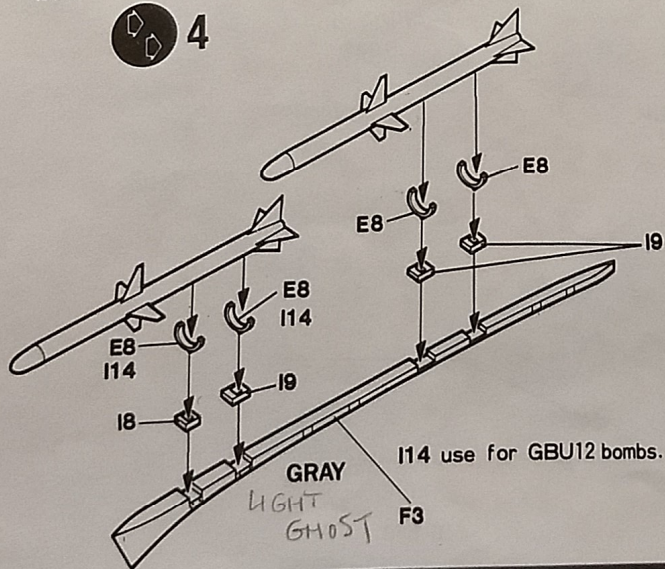
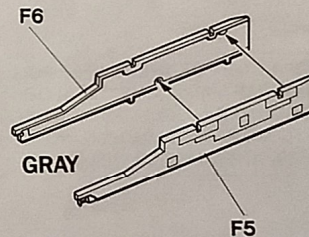
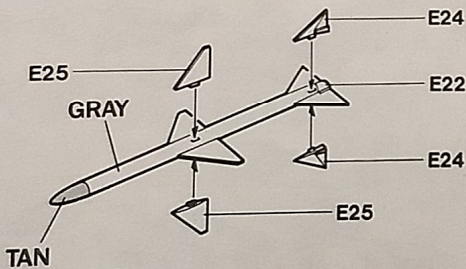
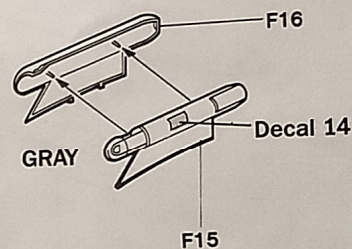
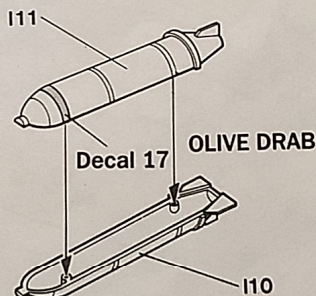
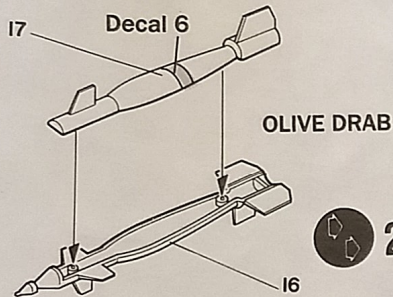
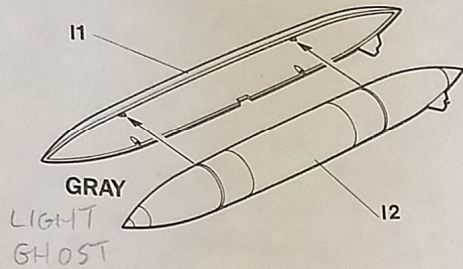
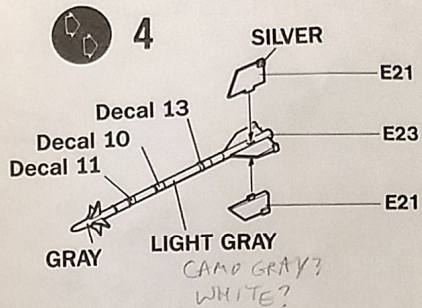
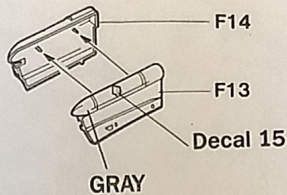
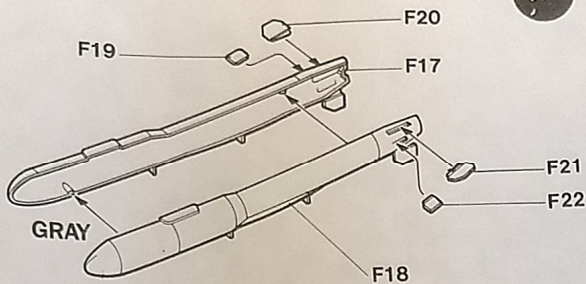
Cut on line for closed doors.



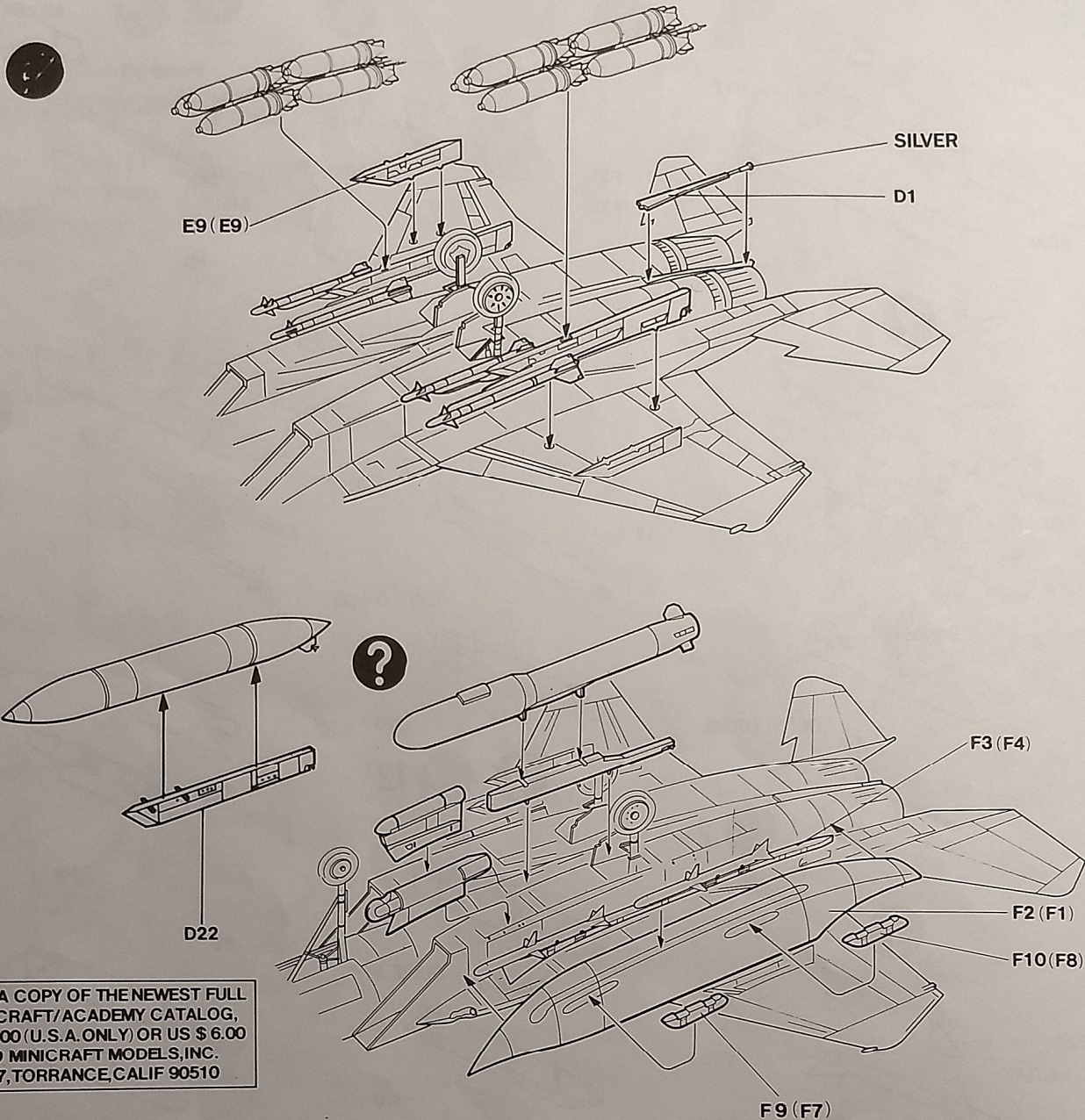
11 MAIN GEAR INSTALLATION



12 WEAPONS ASSEMBLIES



13 WEAPONS MOUNTING

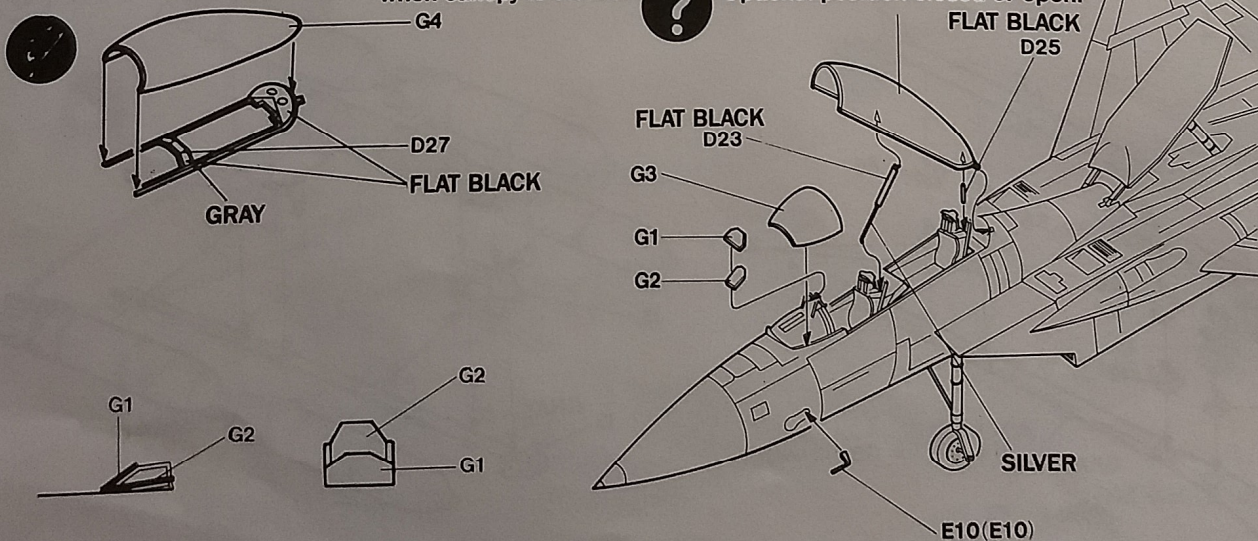


TO RECEIVE A COPY OF THE NEWEST FULL COLOR MINICRAFT/ACADEMY CATALOG, SEND US \$5.00 (U.S.A. ONLY) OR US \$6.00 (FOREIGN) TO MINICRAFT MODELS, INC. P.O. BOX 3577, TORRANCE, CALIF 90510

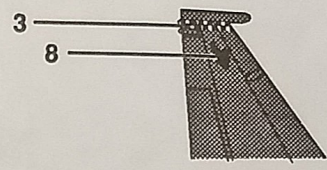
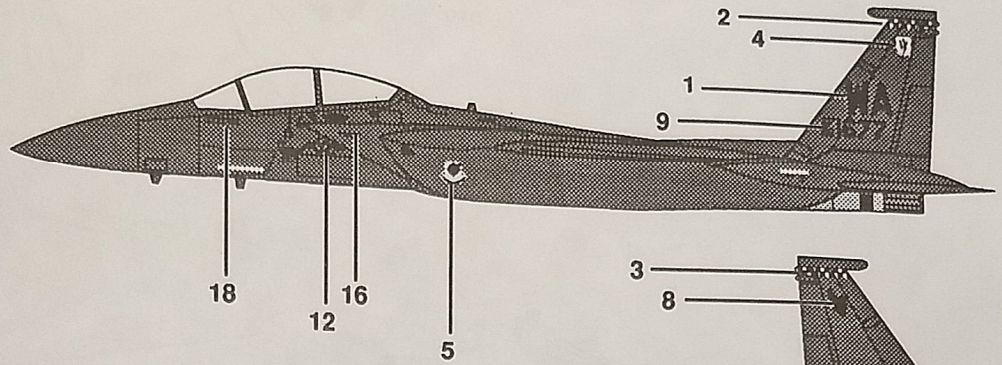
14 CANOPY INSTALLATION

Do not use D23 or D25 when canopy is closed.

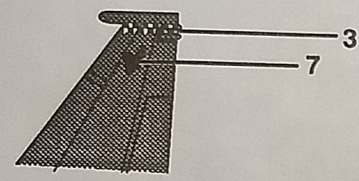
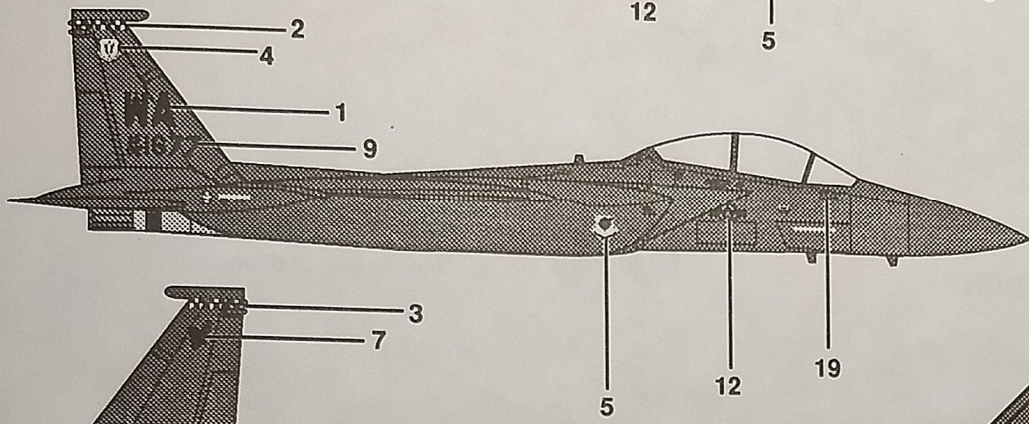
Optional position closed or open.
FLAT BLACK
D25



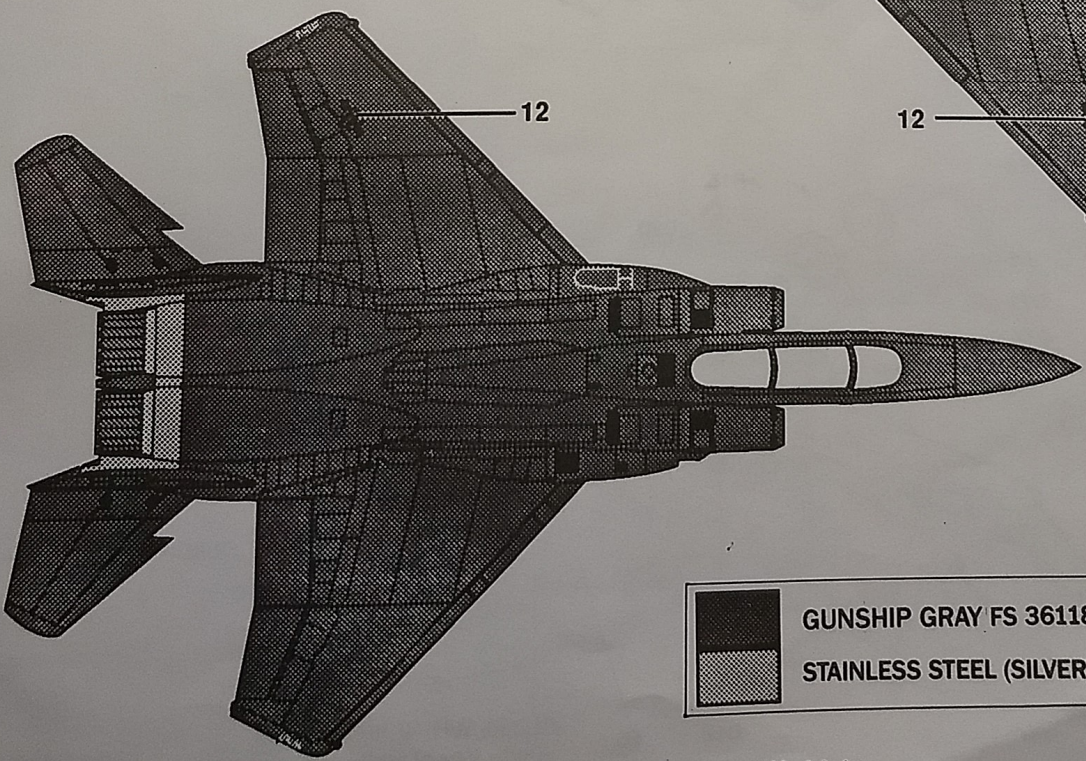
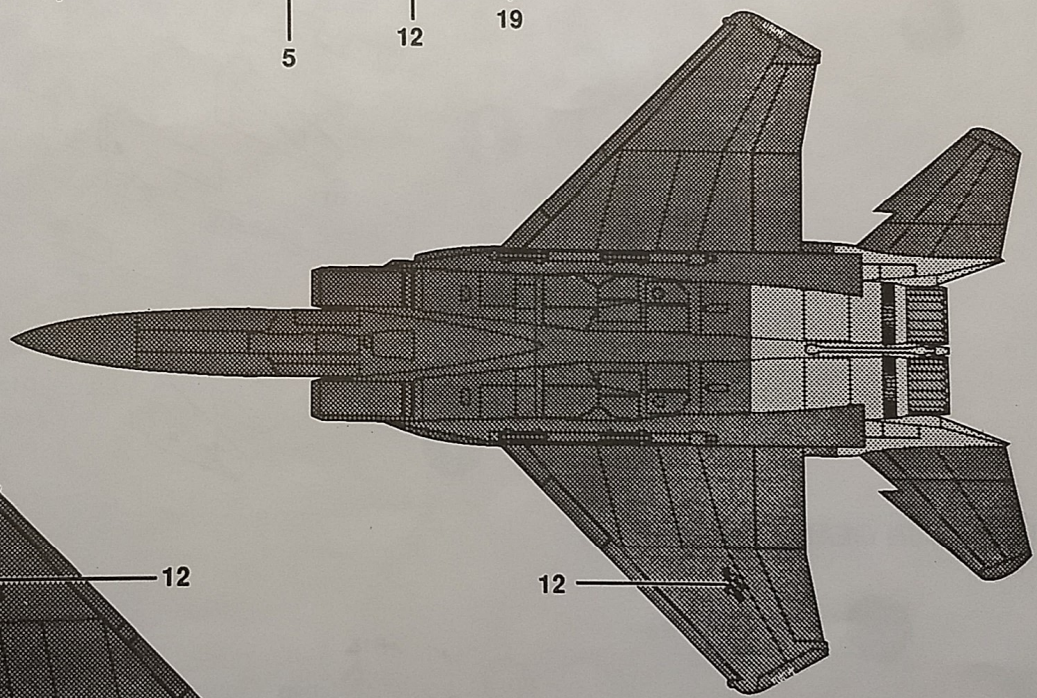
Paint and Decal Placement Diagram





Inside left tail.



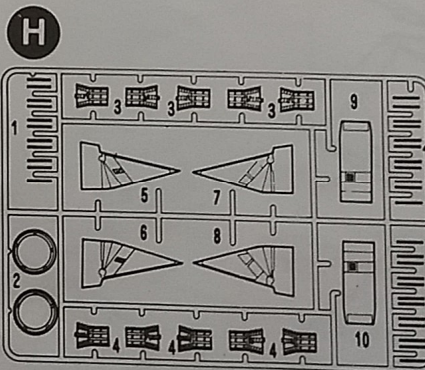
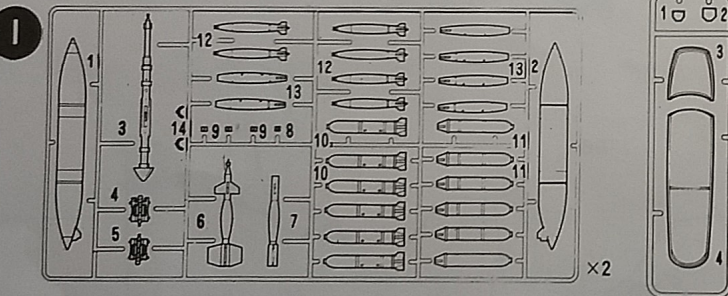
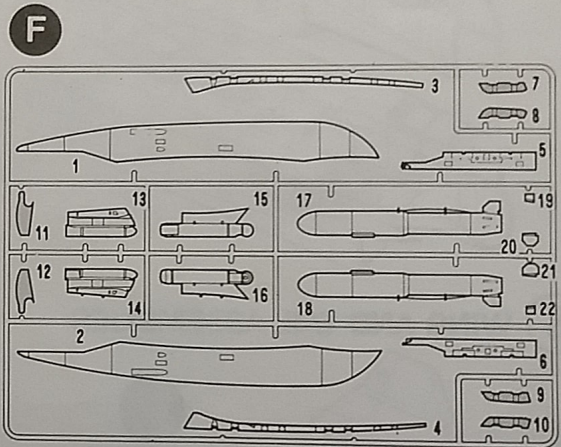
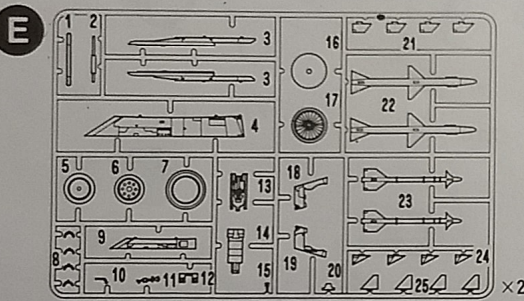
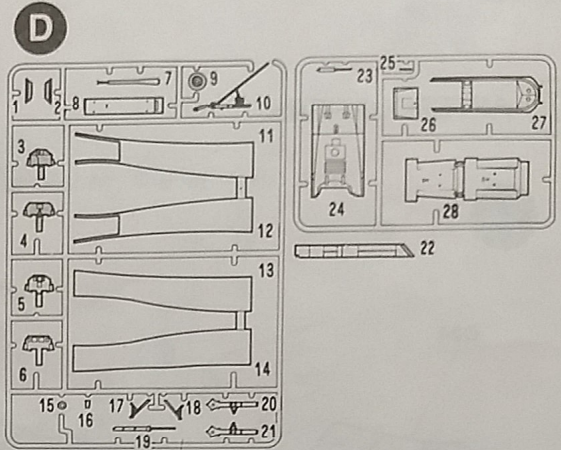
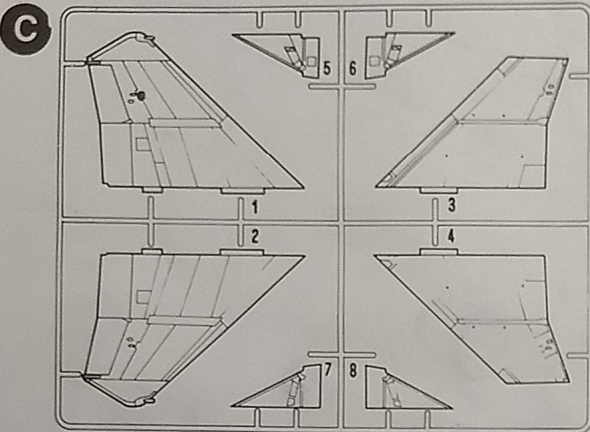
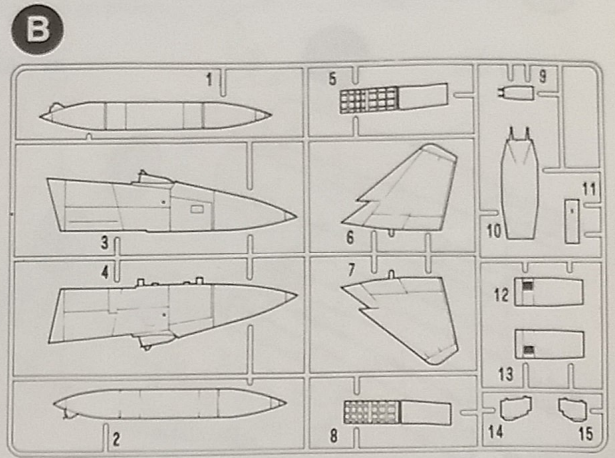
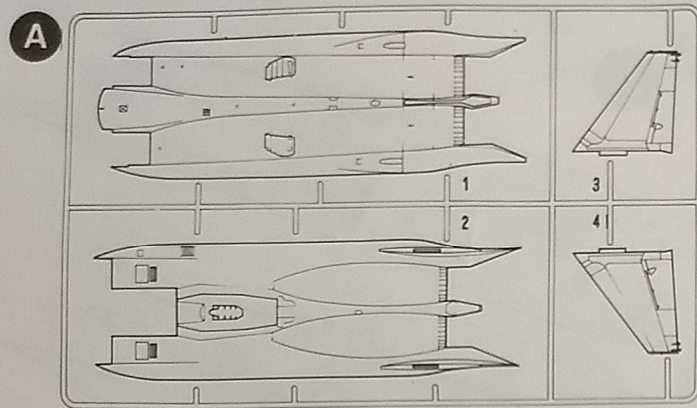
Inside right tail.



	GUNSHIP GRAY FS 36118
	STAINLESS STEEL (SILVER)



Parts Locating Diagram



ENGLISH	FRENCH	GERMAN	SPANISH	ITALIAN
BLACK	NOIR	SCHWARTZ	NEGRO	NERO
SILVER	ARGENT	SILBERN	PLATA	ARGENTO
GUNMETAL	METALLIC	METALLIC	METALICO	METALLICO
ALUMINUM	ALUMINIUM	ALUMINIUM	ALUMINIO	ALLUMINIO
METALLIC	METALLIC	METALLIK	METALICO	METALLICO
GRAY	GRIS	GRAU	GRIS	GRIGIO
LT GRAY	GRIS CLAIR	HELL GRAU	GRIS CHIARO	GRIGIO CHIARO
WHITE	BLANC	WEISS	BIANCO	BIANCO
RED	ROUGE	ROT	ROJO	ROSSO
YELLOW	JAUNE	GELB	AMARILLO	GIALLO
BLUE	BLEU	BLAU	AZUL	BLU
ORANGE	ORANGE	ORANGE	NARANJADO	ARANCIO
GREEN	VERT	GRUN	VERDE	VERDE
BROWN	BRUN	BRAUN	MARRON	MARRONE
TAN	BRUN CLAIR	GELBBRAUN	CANELA	MARRONE CHIARO
GOLD	DORE	GOLD	DORADO	ORO
COPPER	CUIVRE	KUPFER	COBRIZO	RAME
AMBER	AMBRE	BERNSTEINFARBEN	AMBAR	AMBRA
MAHOGANY	ACAJOU	MAHAGONNY	CAOBA	MOGANO
FLESH	DE LA PEAU	HAUTFARBE	DE LA PIEL	DELLA PELLE
GLOSS	LUISRE	GLANZENDES	BRILLANTE	BRILLANTE
FLAT	TERNE	GLANZLOSES	APAGADO	OPACO
CLEAR	CLAIR	KLAR	CLARO	CHIARO

Unused Parts: F7 ~ F12, D1, D2, D3, D4