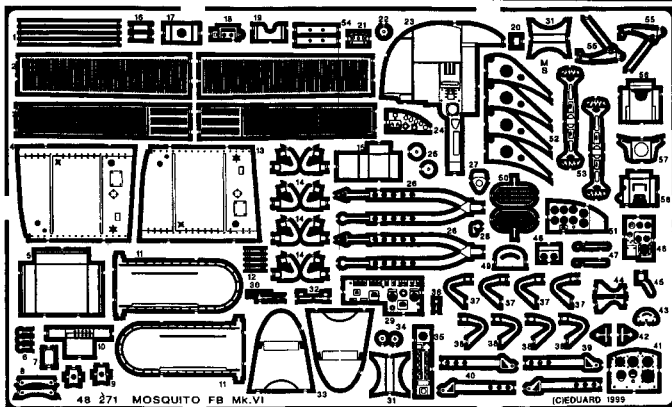









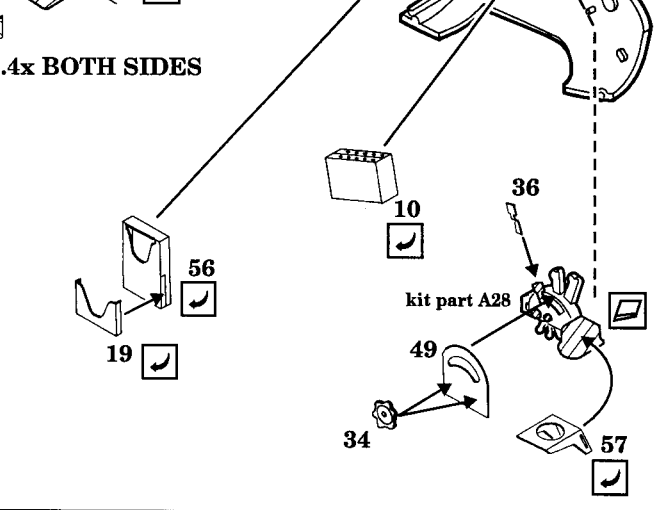
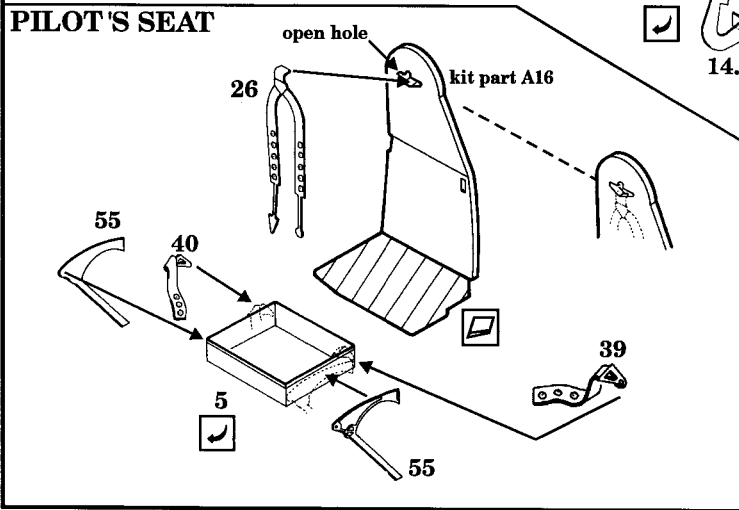
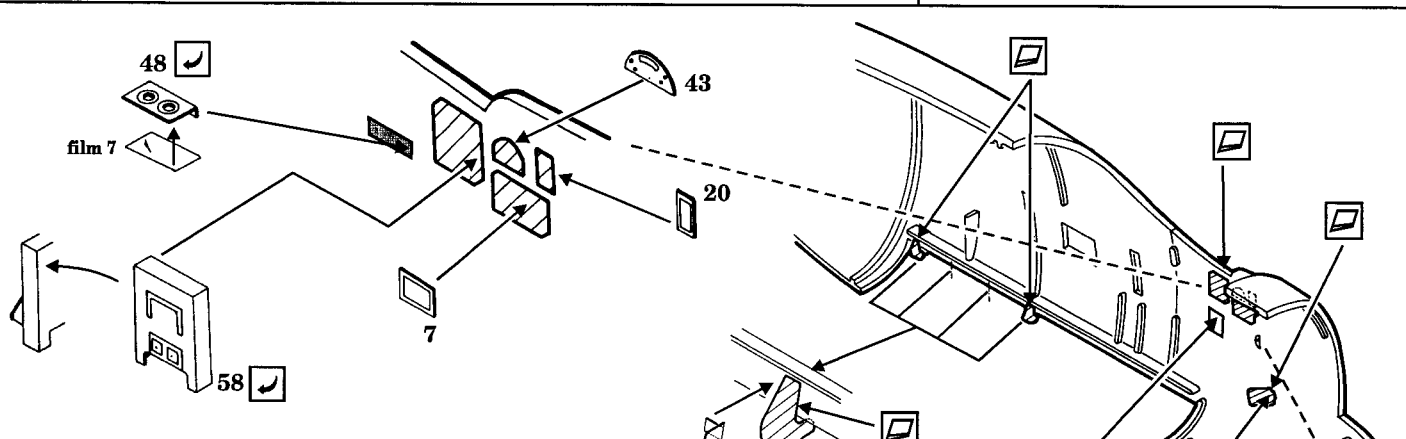
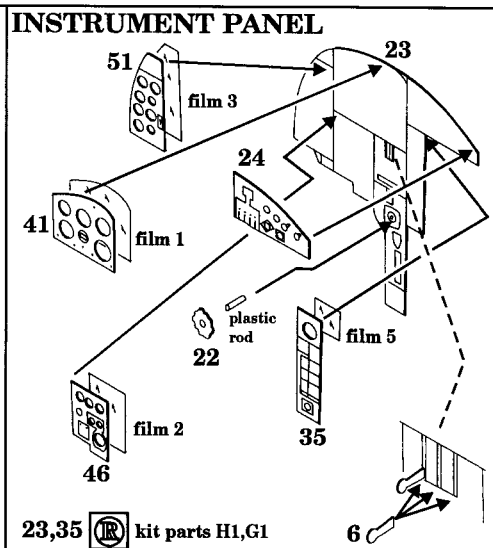
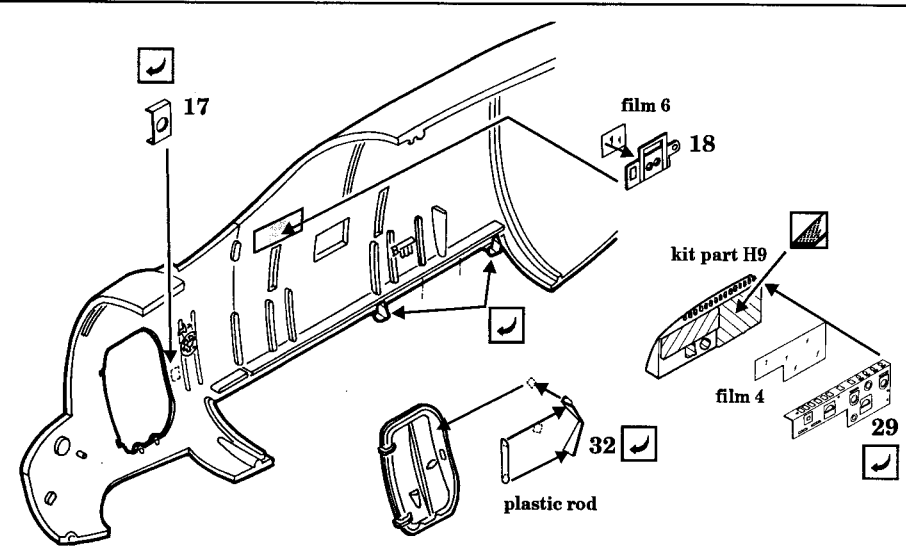
# Mosquito FbMk VI / Nf Mk II

1/48 scale detail set for TAMIYA kit

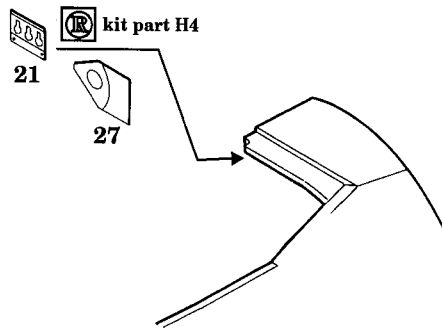
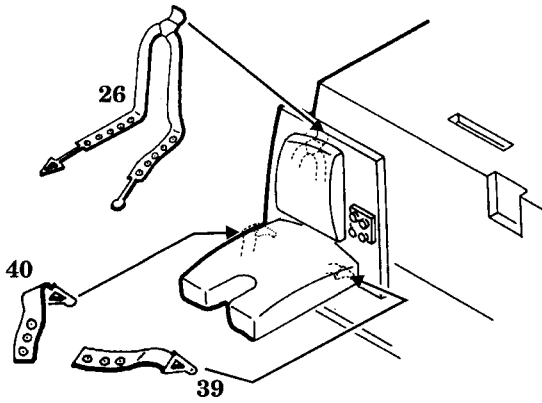
48 271



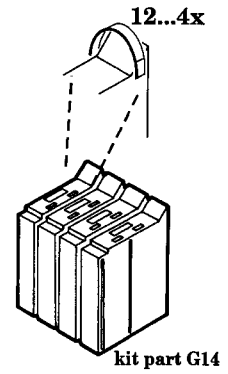
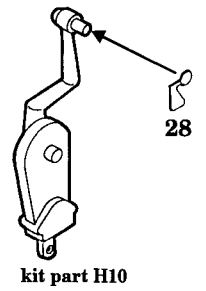
-  OPPOSITE SIDE
-  REMOVE
-  BEND
-  REPLACE
-  GRIND



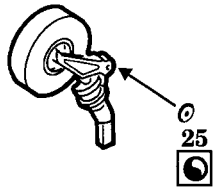
### NAVIGATOR'S SEAT



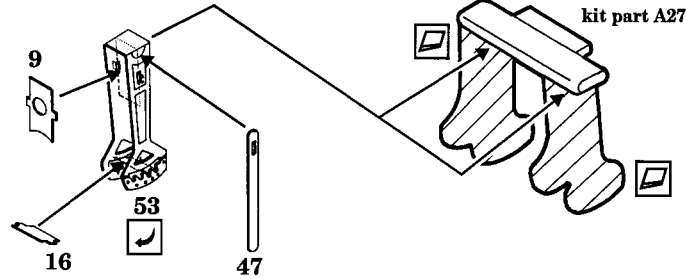
### CONTROL COLUMN



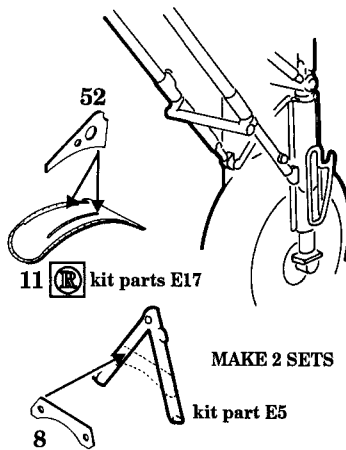
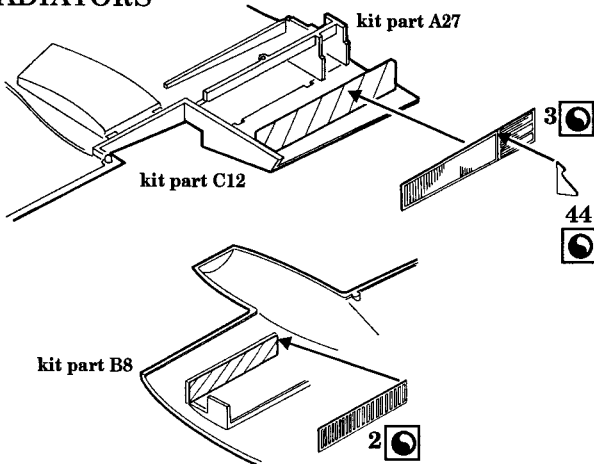
### TAIL WHEEL



### RUDDER PEDALS



### RADIATORS



### MAKE 2 SETS

