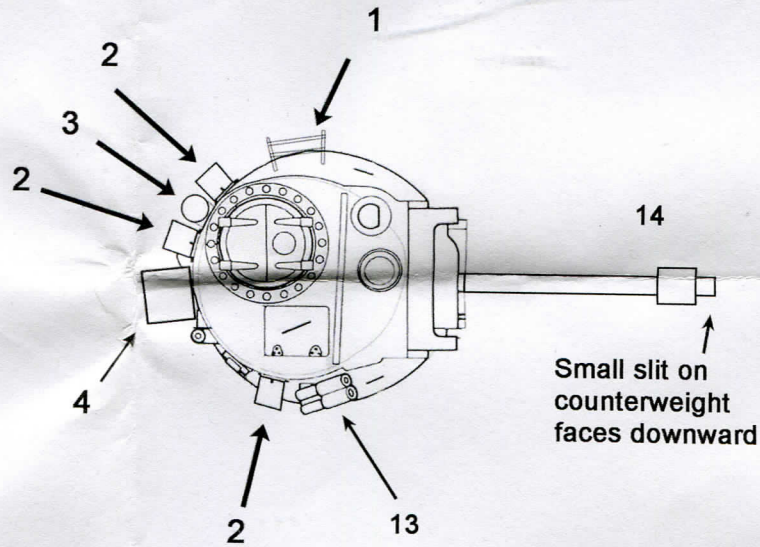


# FS35229 Australian Matilda Frog Conversion

(Best fit Tamiya 35355)

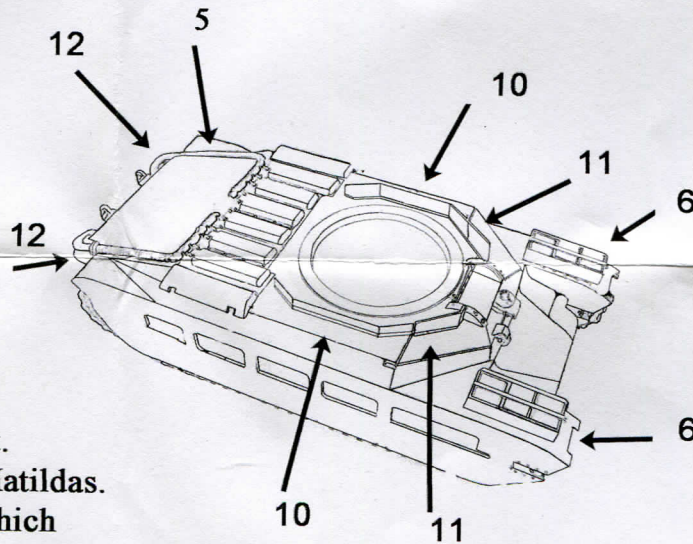
## Parts

1. Turret Stowage
2. Turret Stowage Boxes (3)
3. Tube
4. Ammo Box Stowage
5. Phone Box
6. Fuel Racks (2)
7. Track Shields (2)
8. Shield Mounts (4)
9. Shield Locks (2)
10. Turret Ring (long sides)
11. Turret Ring (short front)
12. Rear Steps Exhaust Guard
13. Smoke Launcher Mount
14. Barrel

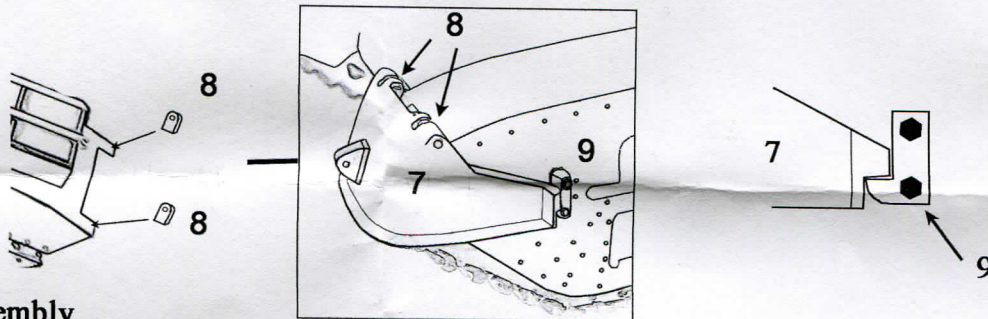


## Construction Notes

Photos from WW2 show Frogs didnt put stowage on the turret rack and often didnt have fuel/water cans on the front fenders, some had extra spare tracks welded to the front for added protection due to the close combat



MKIII/IV Matilda used the low profile cupola. Part 50 in Tamiya kit.  
Australia Only recieved two MkII Matildas.  
Do your research online to decide which cupola you should use



## Track Guard Assembly

1. Position the mounting brackets (8) at the ends, do a test fit with wood glue as they have to line up with the guard.
2. Once in place attach the guard and glue into position.
3. Fit the travel locks (9) so they sit tight up against the guard