

This detail set is manufactured from photo etched brass sheet and is for use on the Italeri model kit.
 Prior to using fret wash in liquid detergent and rinse in clean water to deflux and clean parts. To separate parts, support fret on a firm surface such as a ceramic tile and cut as near to the part as possible using a new sharp blade. Tag seats can be cleaned by holding part in pliers and using a fine file. To fold part, support evenly up to line of fold and fold in one go using a blade for leverage. For assembly of parts use superglue or five minute epoxy. Prior to painting, prime parts using matt enamel or self-etching primer. Position of parts in diagrams is for guidance only for final position and coloring consult reference material details of which are elsewhere on this sheet. Airwaves are manufactured and distributed by E.D. Models, 64 Stralford Road, Shirley, Solihull, West Midlands B90 3LF, England. Telephone - 021-744 7488 Fax - 021-733 2591

Note that only the best materials are used in the manufacture of Airwaves sets and that any waste is safely disposed of protecting the environment.

For further helpful hints on using etched brass and for full details of the extensive Airwaves range including tools and templates get a copy of the latest Airwaves illustrated catalogue.

1 SEATS

Remove moulded seat belt detail

Medium green seats

Medium grey frames

2 HARNESS

Khaki straps silver buckles

3 COCKPIT

Gloss black plasticard

Medium grey panel matt black bezels

Fold up grab handles

Kit canopy, interior frame medium grey

Black panels

39 X5 Black levers with white knobs

37 Medium grey lever, black base and handle. Build up handle thickness with paint!

4 NOSE GRILLES

Carefully remove shaded areas

Choose variant

5 ALTERNATIVE GRILLE LAYOUT

Carefully remove shaded areas

Repeat for other side

6 TAIL LAYOUT

Carefully remove shaded areas

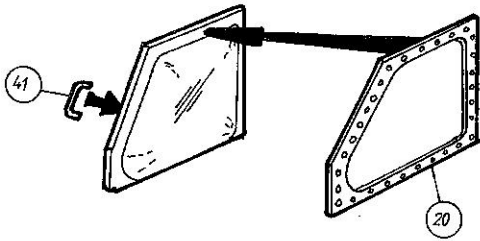
7 FOLDED TAIL

Zinc Chromate Primer Interior

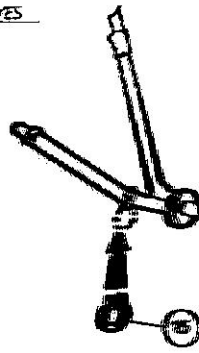
RECOMMENDED REFERENCE: H-34 CHOCTAW IN ACTION BY SQUADRON/SIGNAL AIRCRAFT NO.146 AVAILABLE FROM E.D. MODELS, GOOD BOOKSHOPS OR SQUADRON SIGNAL DISTRIBUTORS DIRECT.

8 COMPONENT FRET LAYOUT

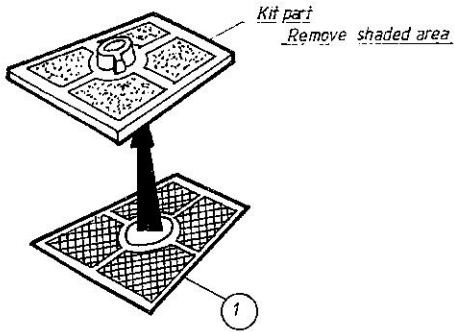
9 OPEN WINDOW



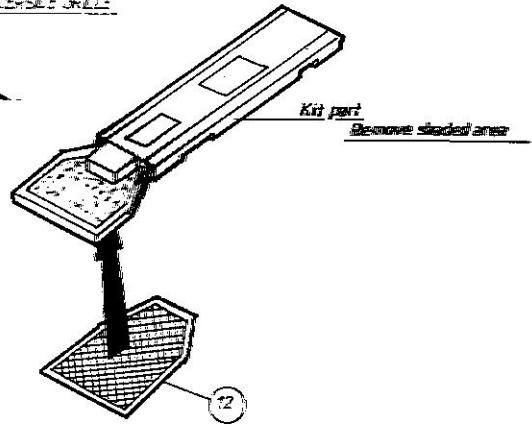
10 TIE DOWN EYES



11 ROTOR GRILLE



12 INSIDE GRILLE



13 GRAB HANDLES AND WIPER

