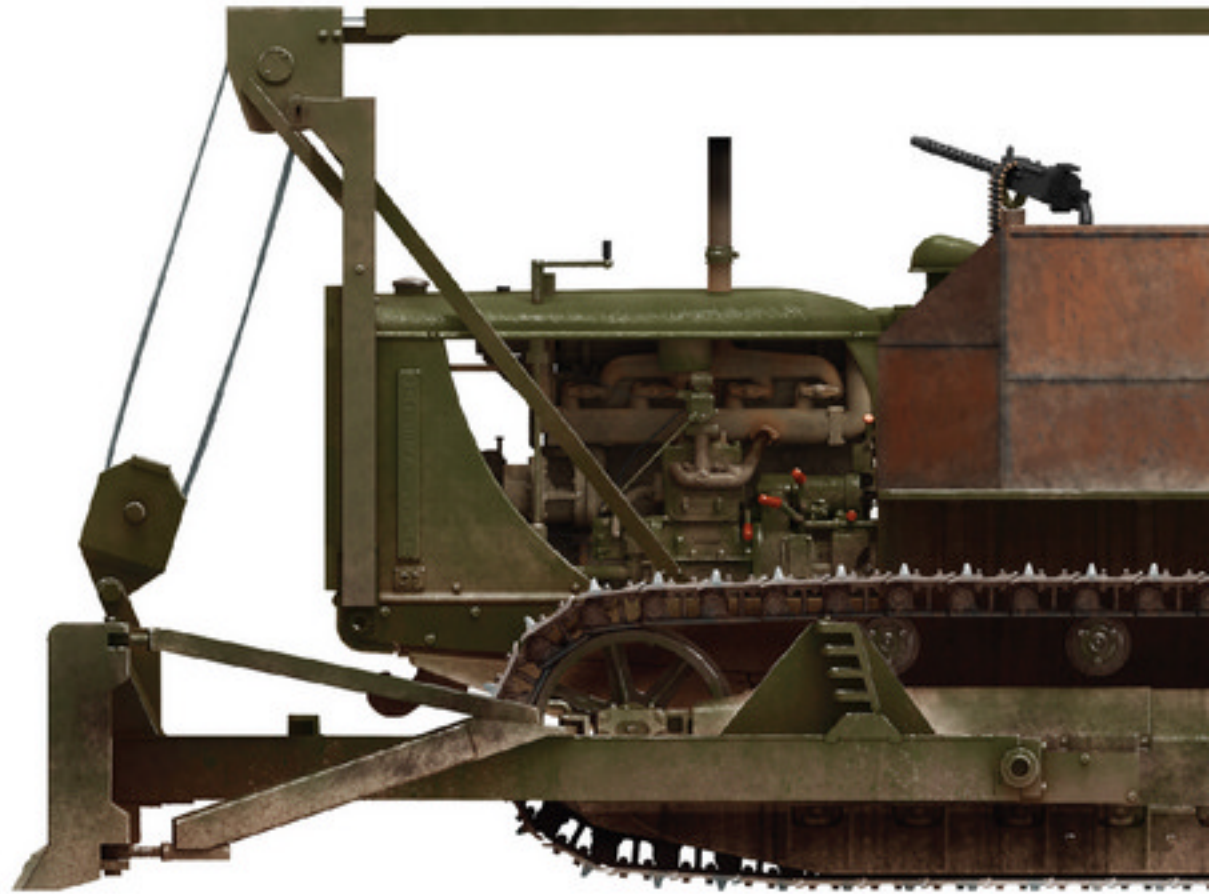
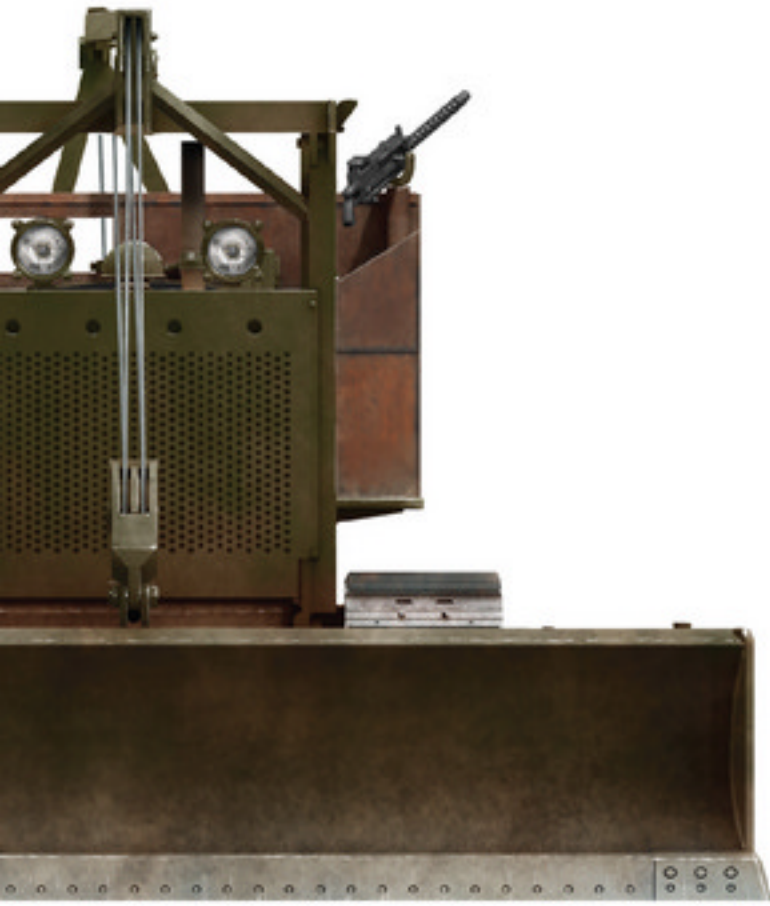


U.S. ARMORED TRACTOR WITH ANGLE DOZER BLADE

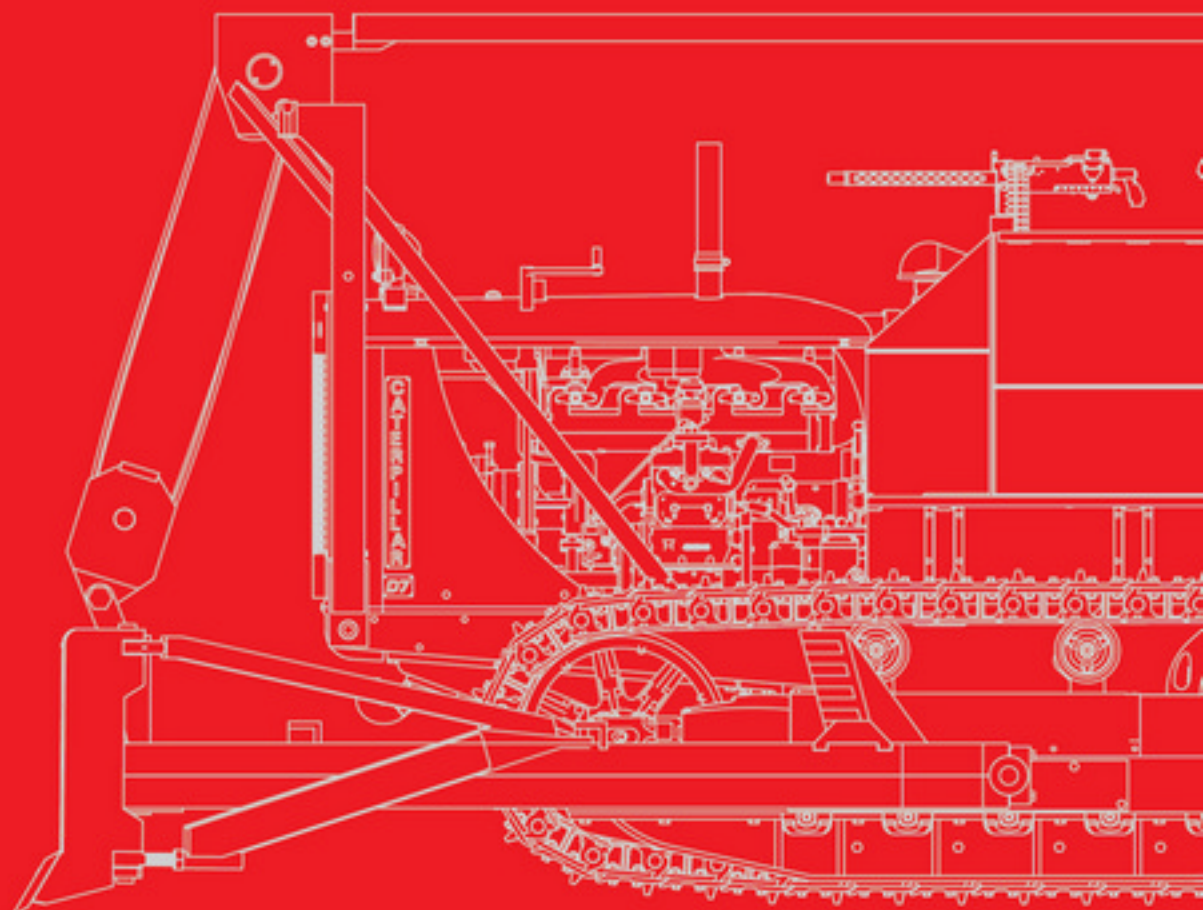
35291



GENERAL INSTRUCTION

SCALE
1:35

- HIGHLY DETAILED MODEL
- 9 COLOR OPTIONS
- PHOTO-ETCHED PARTS INCLUDED
- CLEAR PARTS INCLUDED
- WORKABLE TRACK LINK
- FULLY DETAILED ENGINE COMPARTMENT
AND CHASSIS
- TWO BUILD-UP OPTION
- ONE DRIVER FIGURE INCLUDED



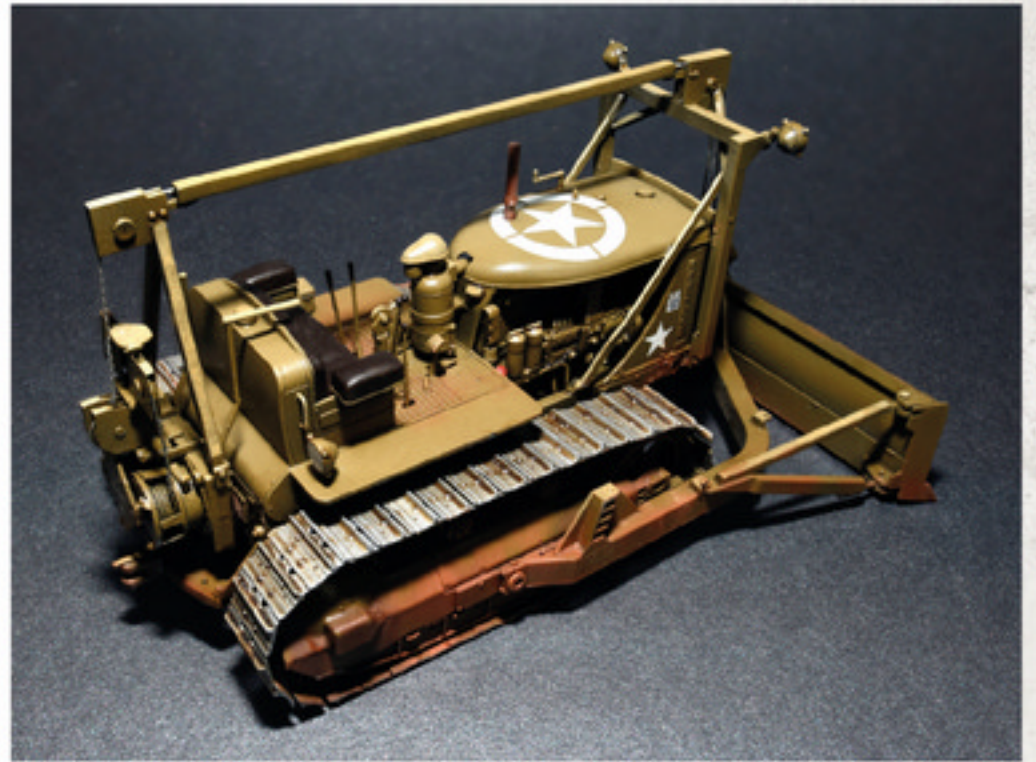
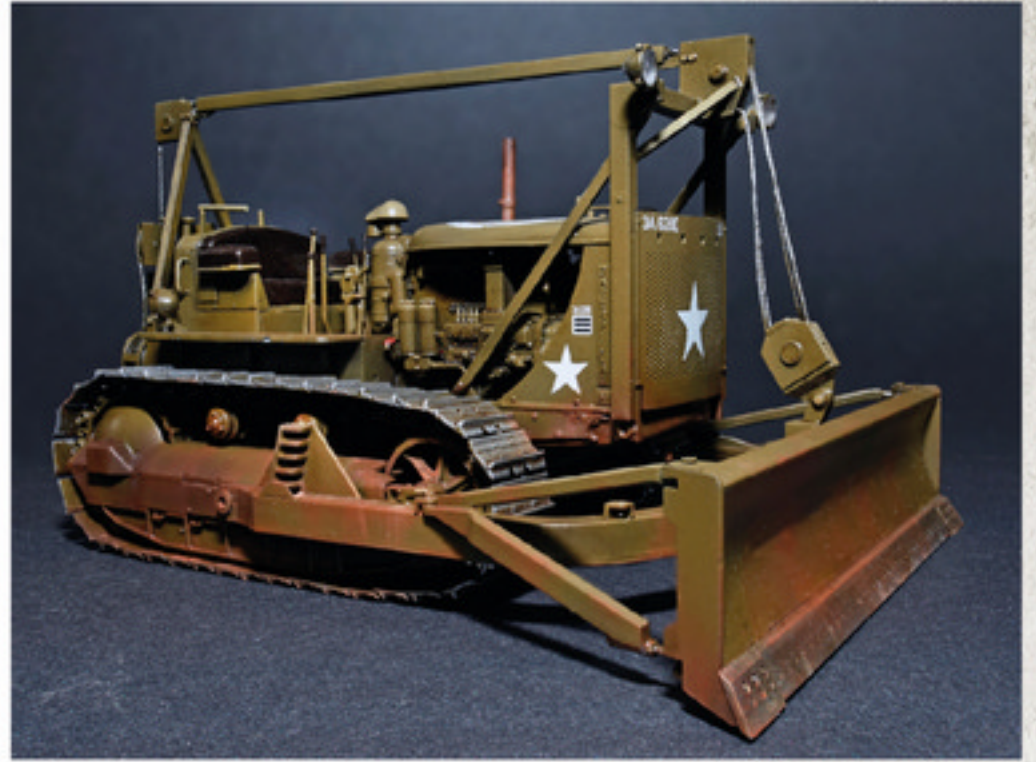


U.S. ARMORED TRACTOR WITH ANGLE DOZER BLADE

SCALE
1:35

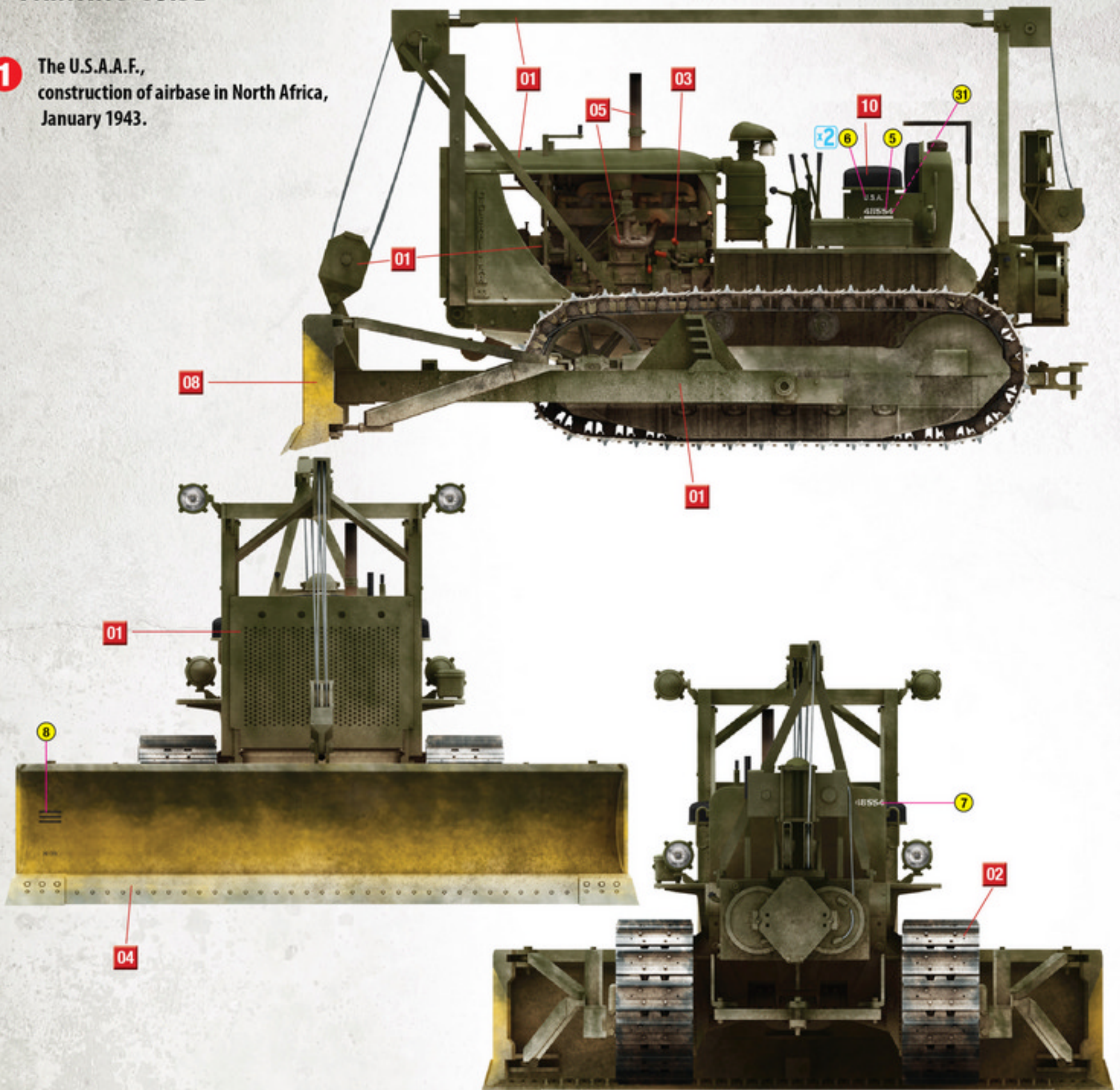
MiniArt: 35291

TWO BUILD-UP OPTIONS

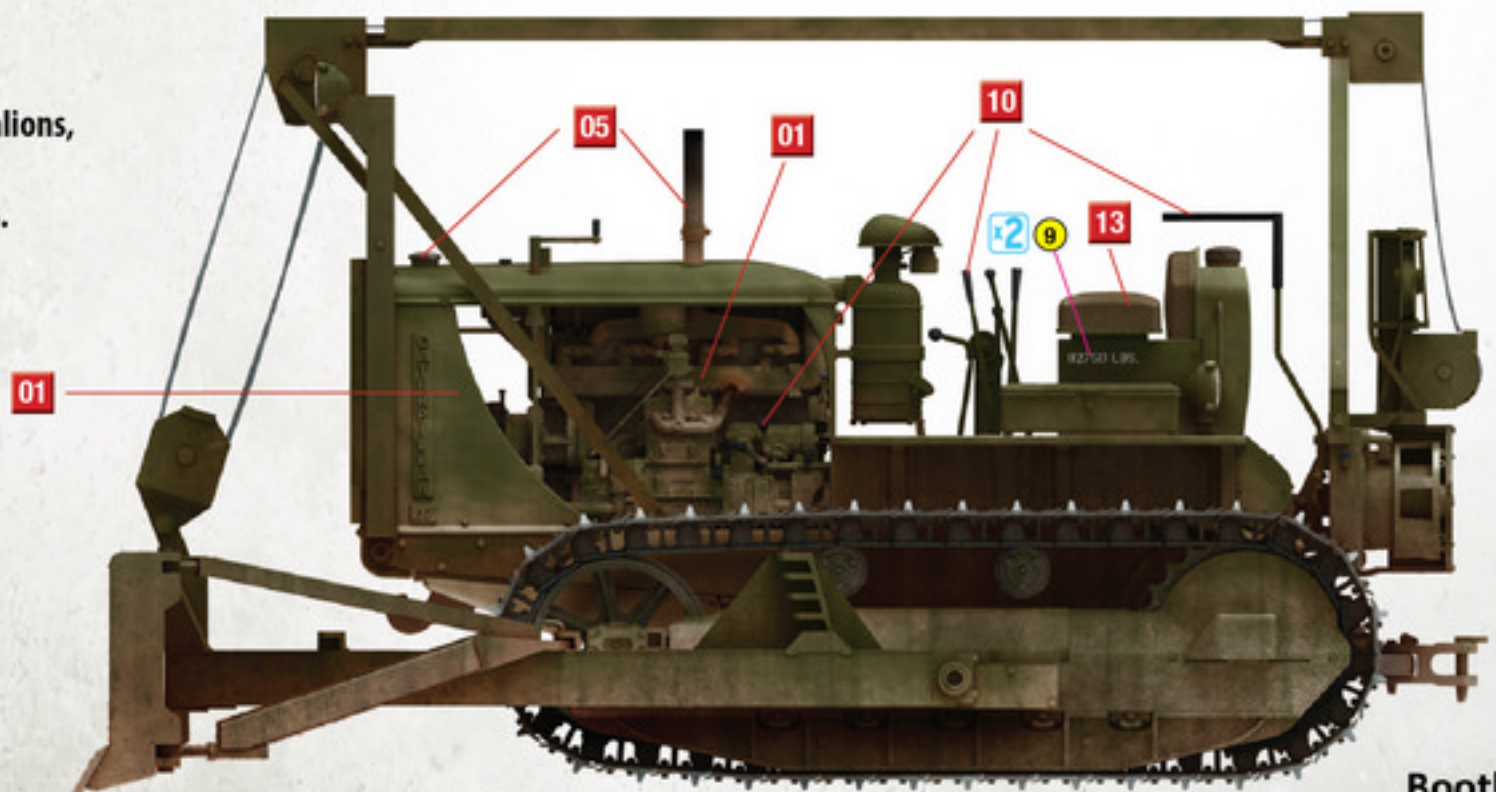


PAINTING GUIDE

- 1** The U.S.A.A.F., construction of airbase in North Africa, January 1943.

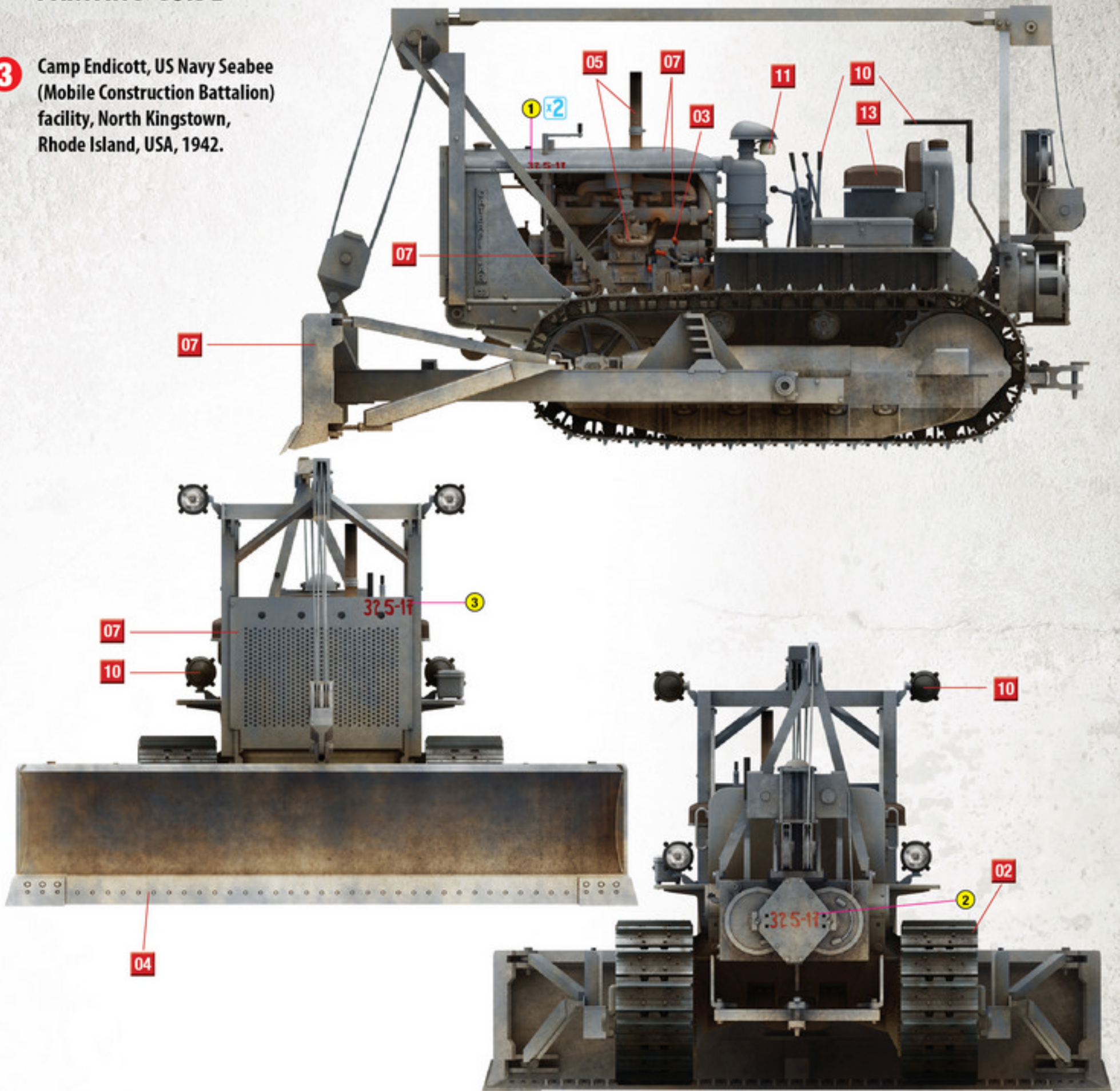


- 2** Vehicle from one of the US Aviation Engineer Battalions, construction of Ledo Road (from India to China), 1944.

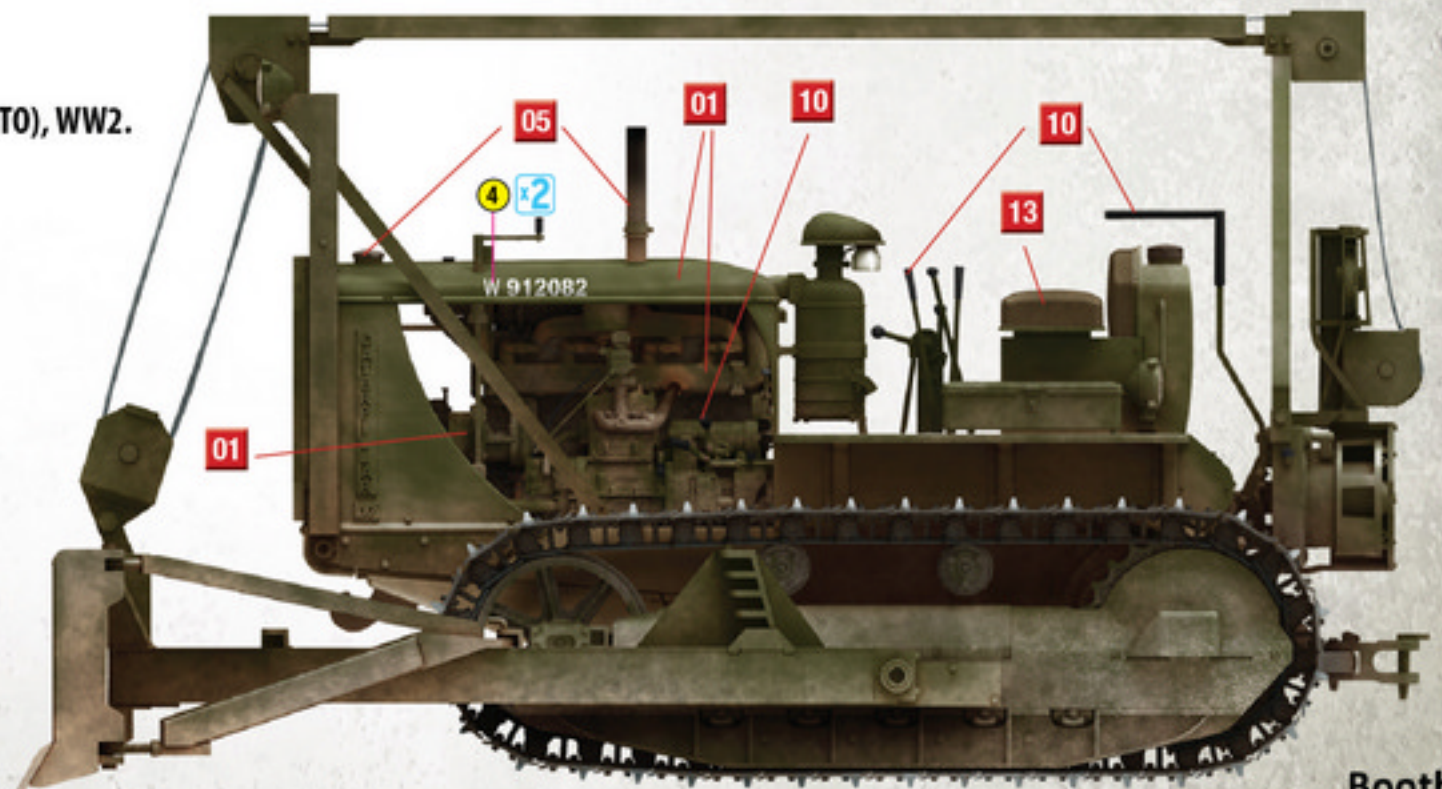


PAINTING GUIDE

- 3** Camp Endicott, US Navy Seabee (Mobile Construction Battalion) facility, North Kingstown, Rhode Island, USA, 1942.



- 4** US Army, Pacific theater of operations (PTO), WW2.



x2

MAKE 2PCS
2 TEILE FERTIGEN
EFFECTUER 2 PIECES
FARE DUE PEZZI
TEE 2 KPL.
GOR 2 ST
ПОВТОРИТЬ ДВА РАЗА
КЪЛЪСТЬ РАЗВ

X

DO NOT CEMENT
NICHT KLEBEN
NE PAS COLLER
NON INCOLLARE
EIJIMAAJ
LIMMAEJ
НЕ ИСПОЛЬЗОВАТЬ КЛЕЙ
НЕ КЛЕИТИ

↔

OPTIONAL
NACH BELIEBEN
FACULTATIF
FACOLTATIVO
VALINNANVARAINEN
VALBAR
ВАРИАНТЫ
ВАРИАНТИ

▽

OPEN HOLE
OFFNEN
FAIRE UN TROU
FORO APERTO
AVAA REKA
OPRNA NALET
СДЕЛАТЬ ОТВЕРСТИЕ
ЗРОБИТИ ОТВІР

▨

REMOVE
ENTFERNEN
RETIRER
SEPARARE
POISTA
AVLAGSNA
ОТРЕЗАТЬ
ВІДРІЗАТИ

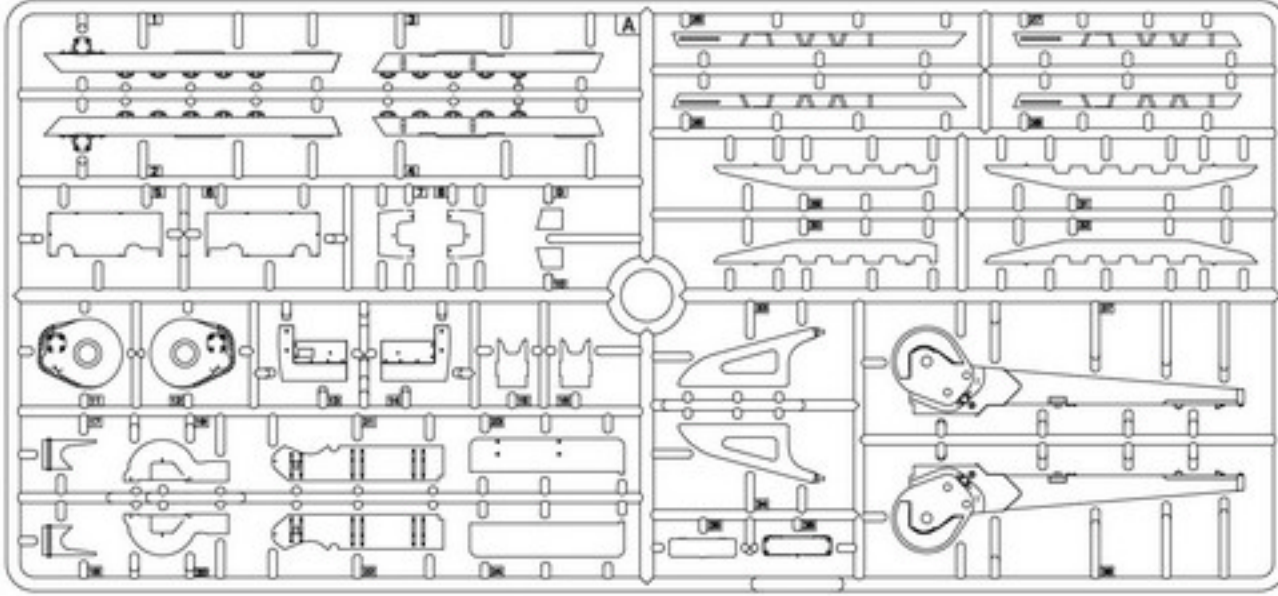
⤴

BEND
BITTE BIEGEN
PLIER S'IL VOUS PLAÎT
PIEGARE
TAIJA
ВОСКА
ВЫГНУТЬ
ВИГНУТИ

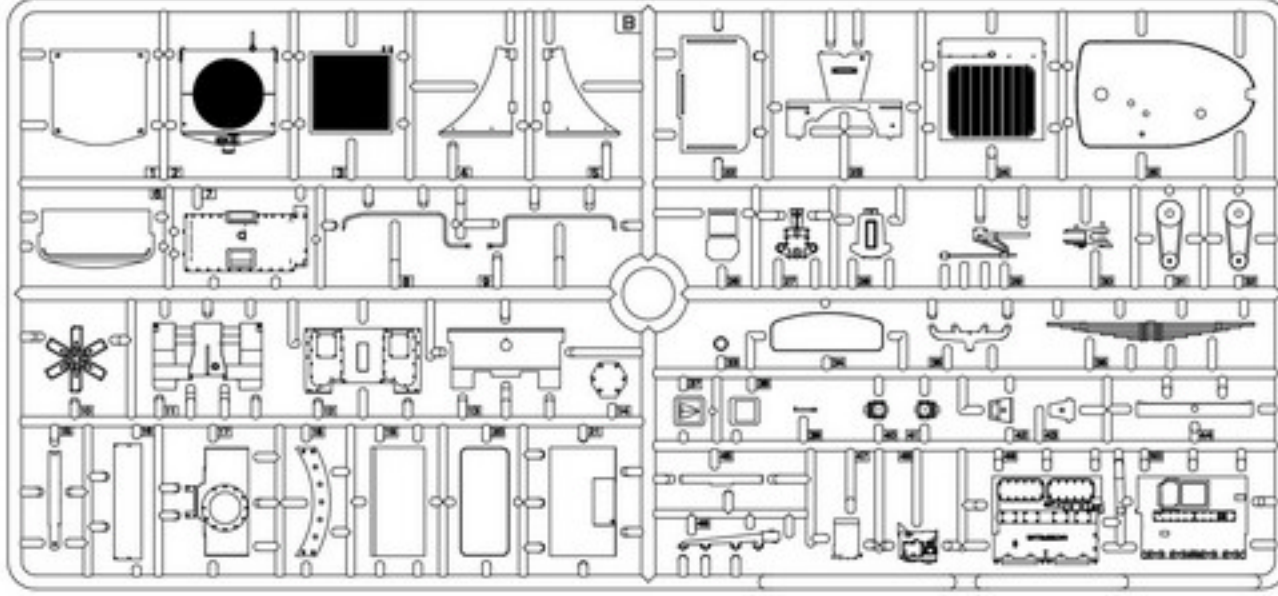
✱

SCRATCHBUILD
AM MEISTEN ZU MACHEN
FAIRE LE PLUS
RENDITI
TEE ITSE
GÖR DIG SJÄLV
СДЕЛАТЬ САМОМУ
ЗРОБИТИ САМОМУ

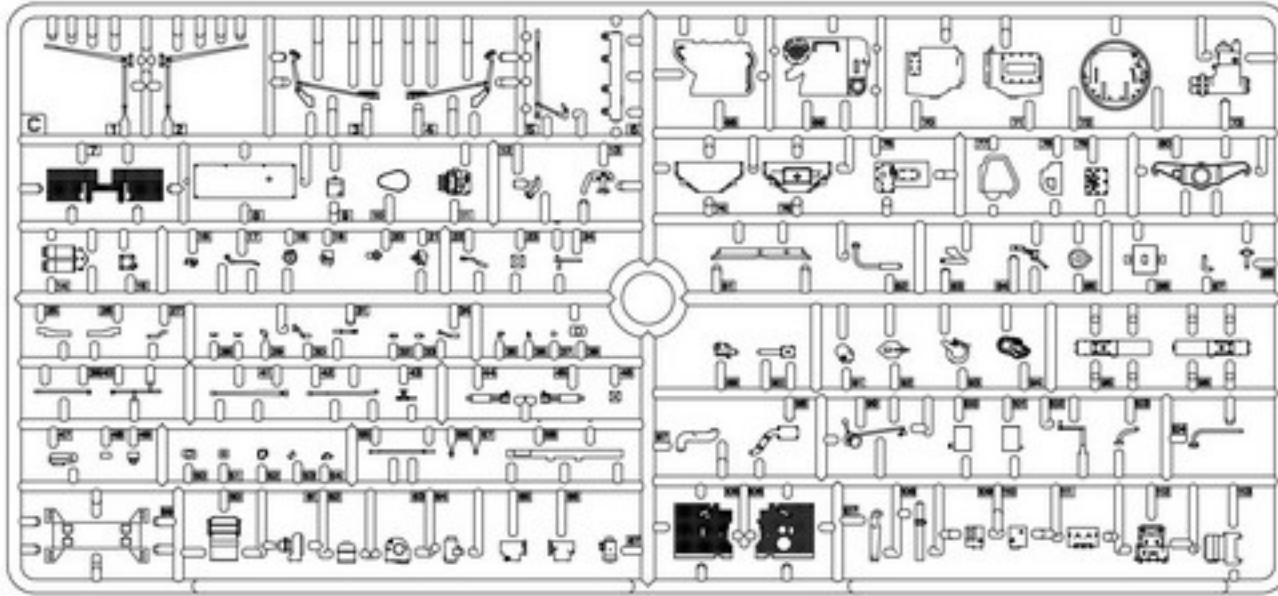
A



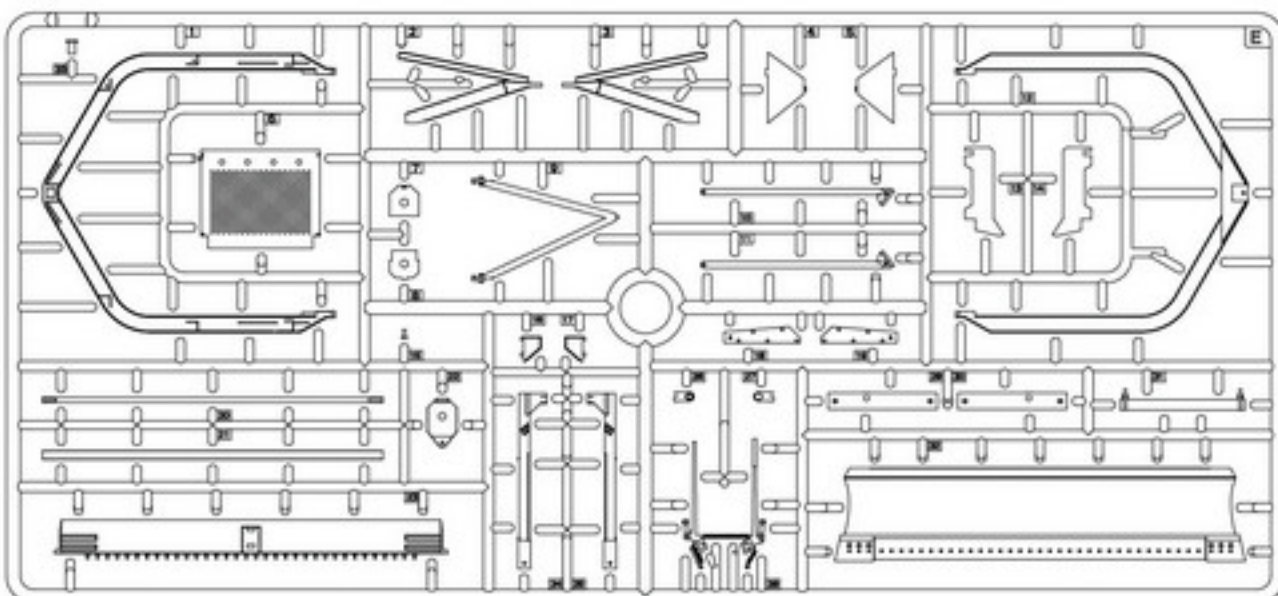
B



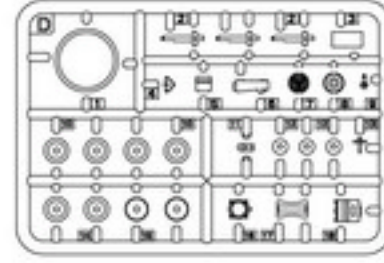
C



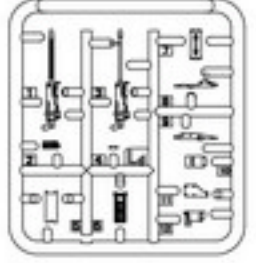
E



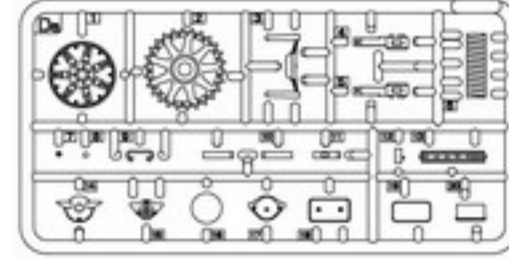
D x4



Ld x2



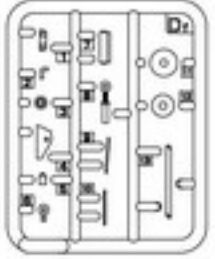
Da x2



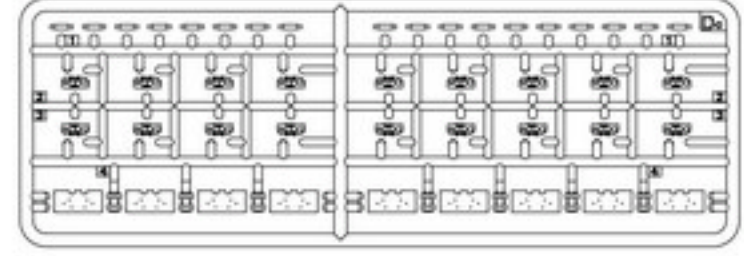
De x4



Df x2



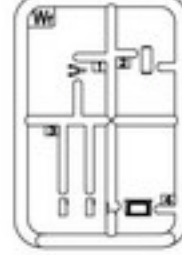
Dc x8



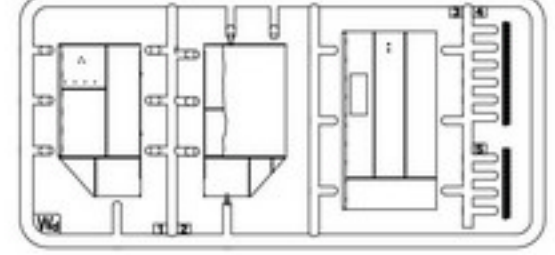
Dg x2



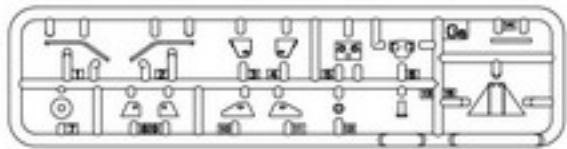
Wf x2



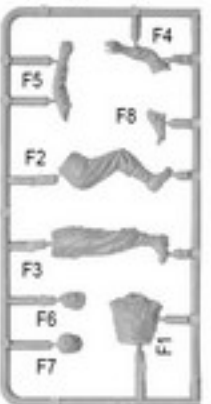
Wd



Ga



F (Figure)



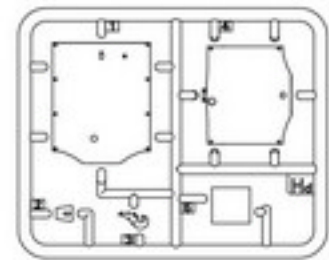
Ha



Hc

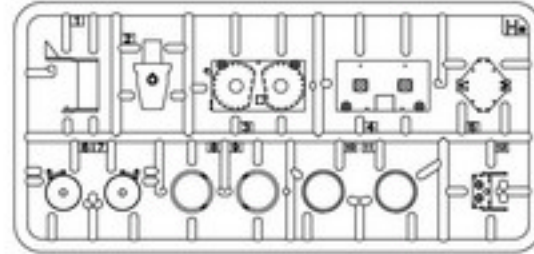


Hd

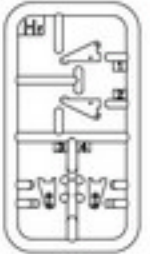


Clear parts

He



Hf

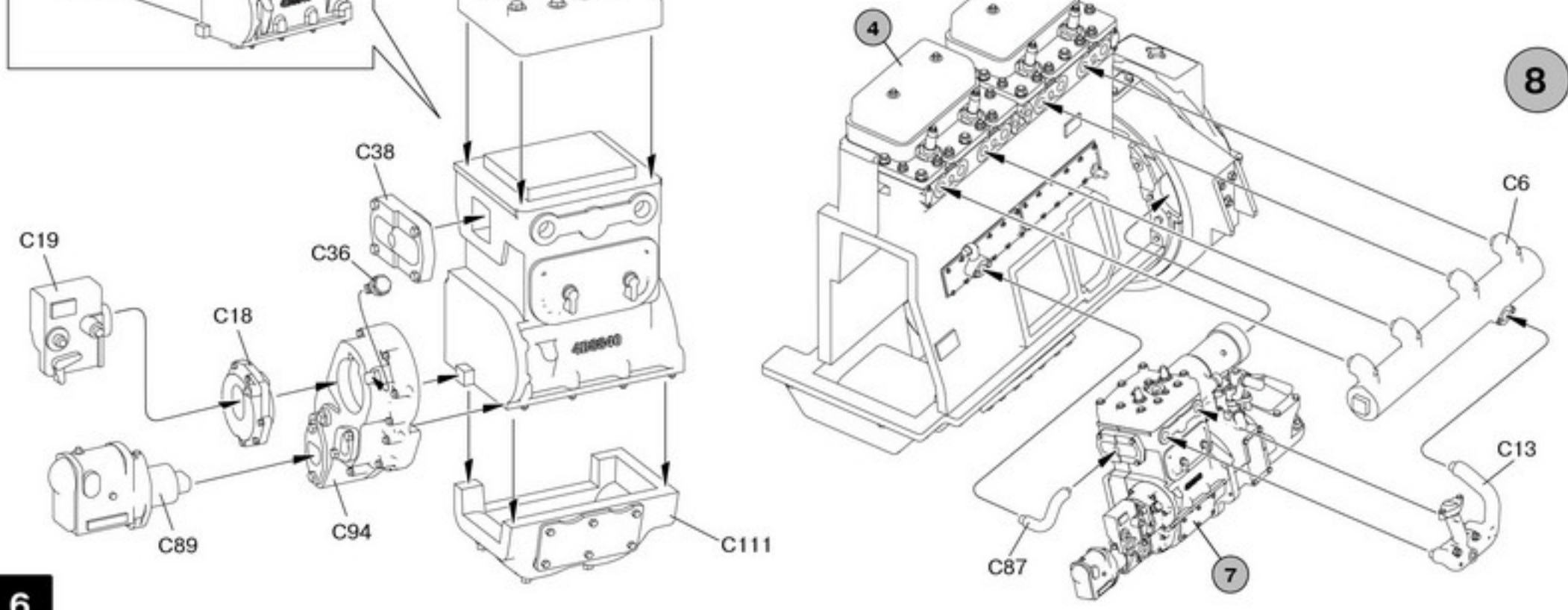
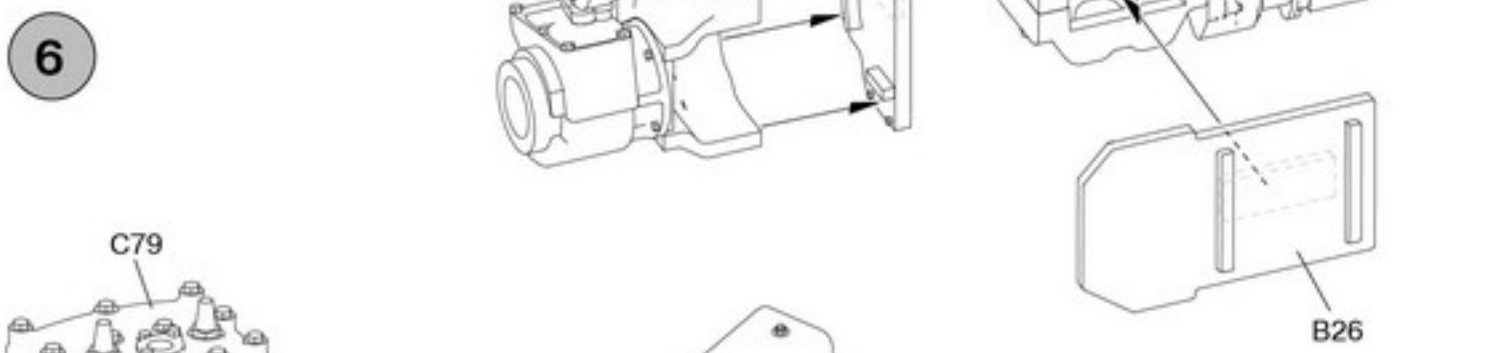
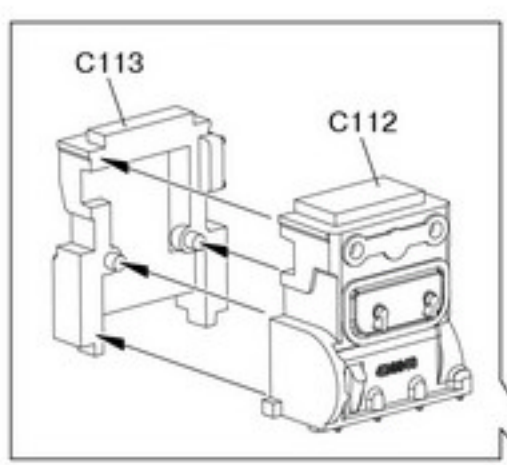
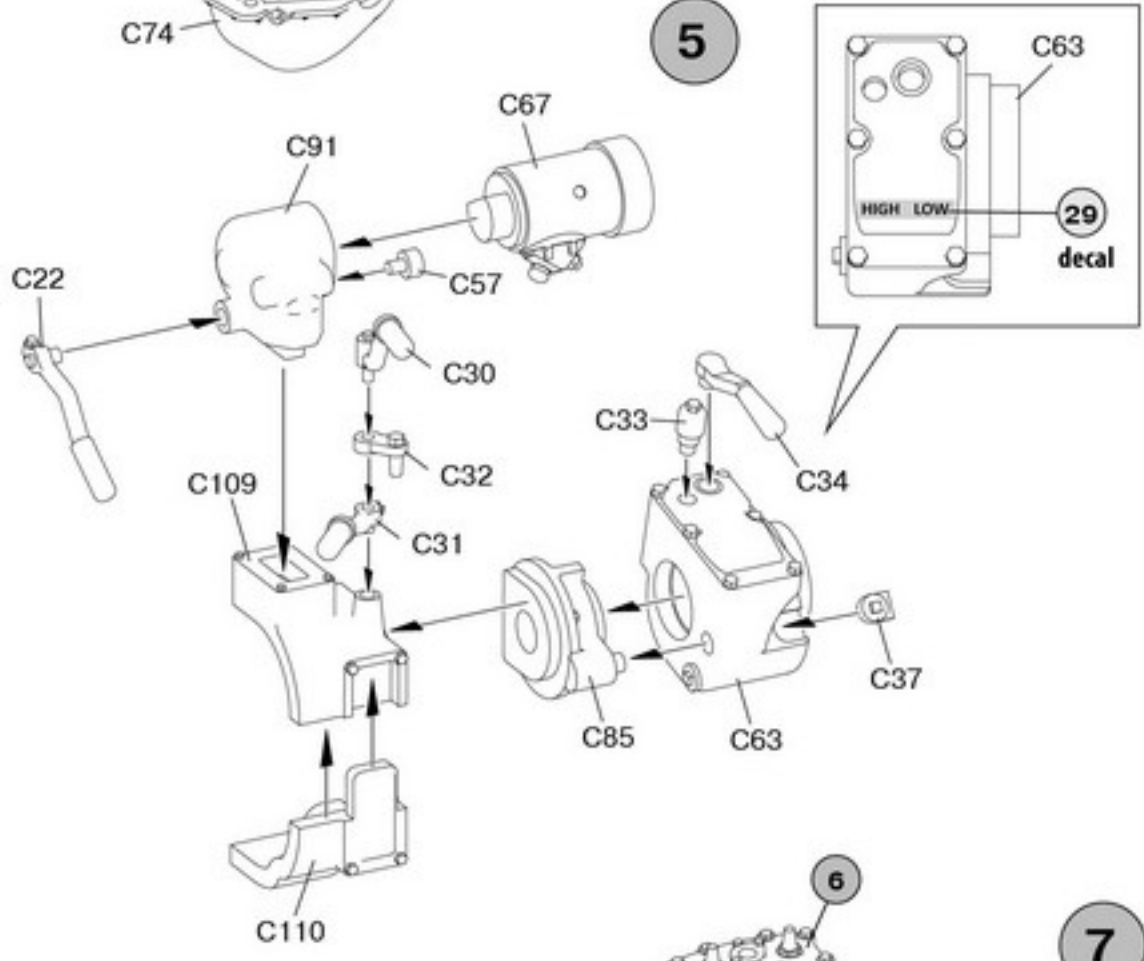
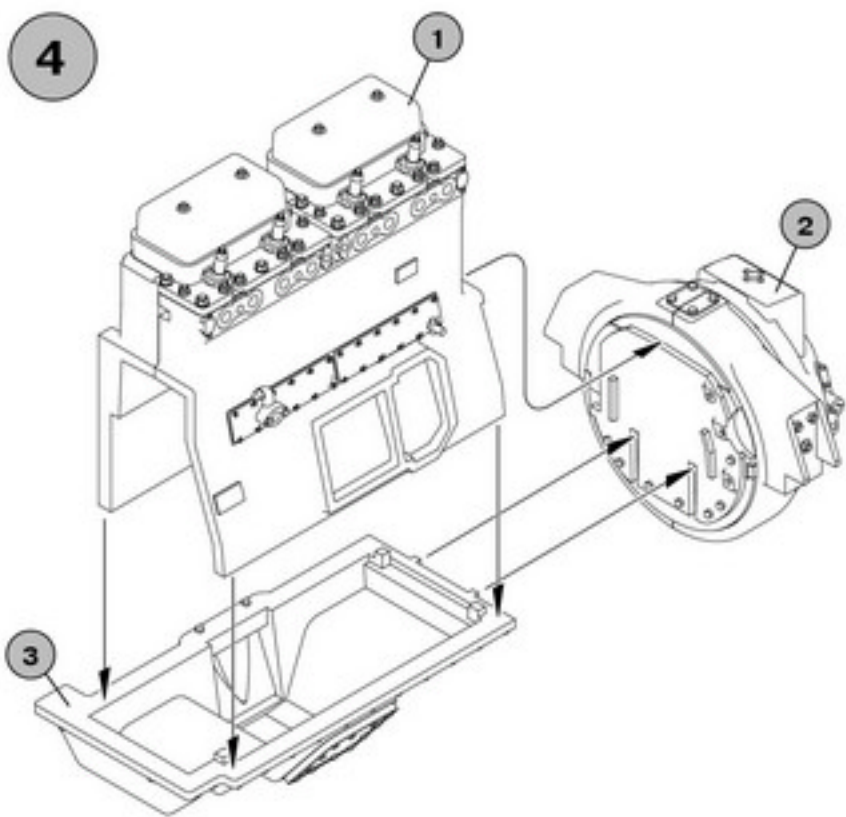
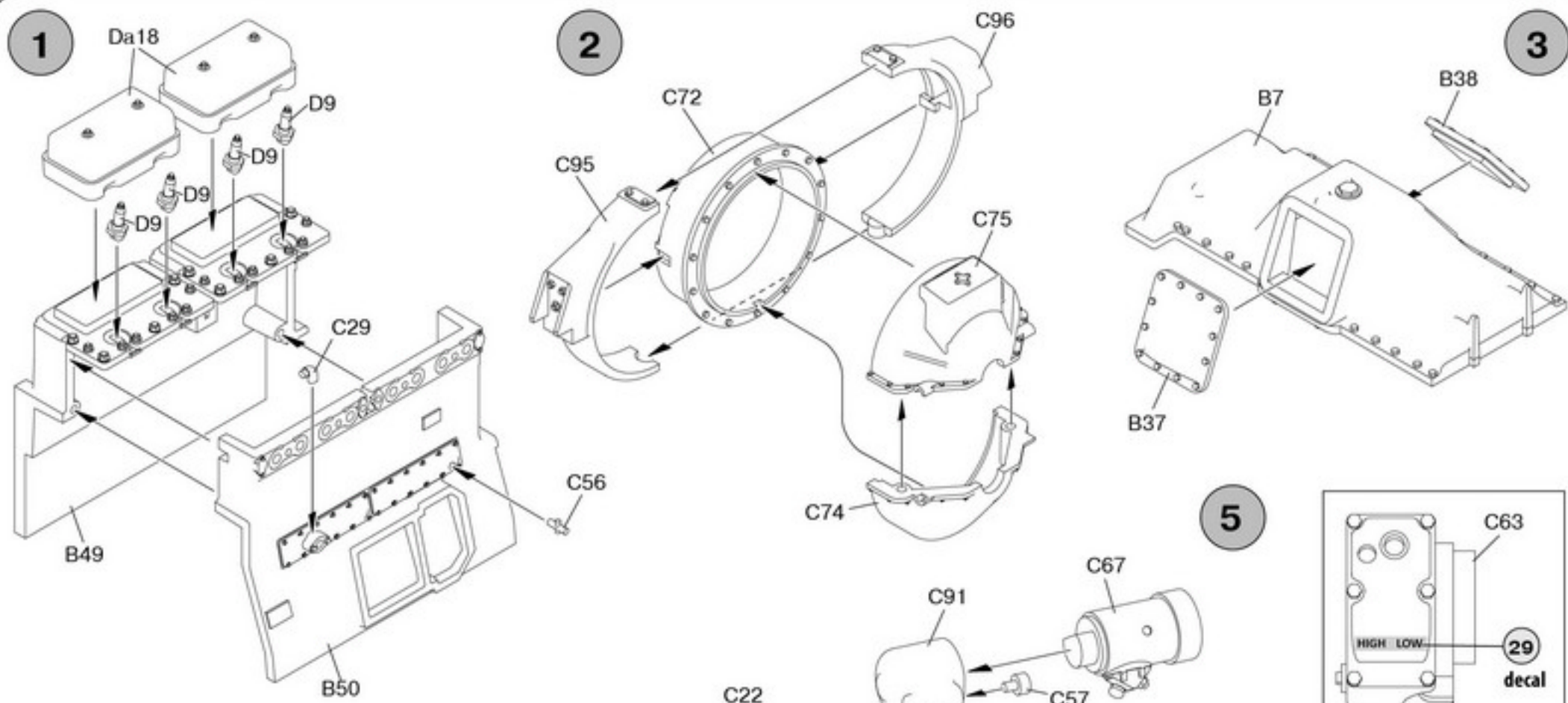


Decal

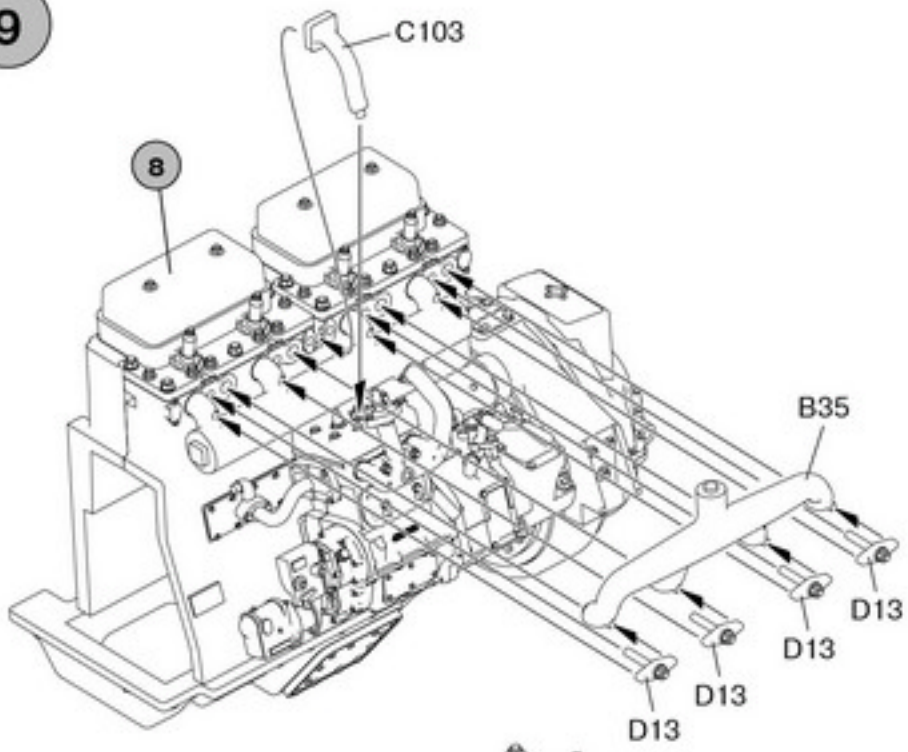
Cable (Rope)
Трос (Нить)

PE M-125
PHOTOETCHED
PARTS

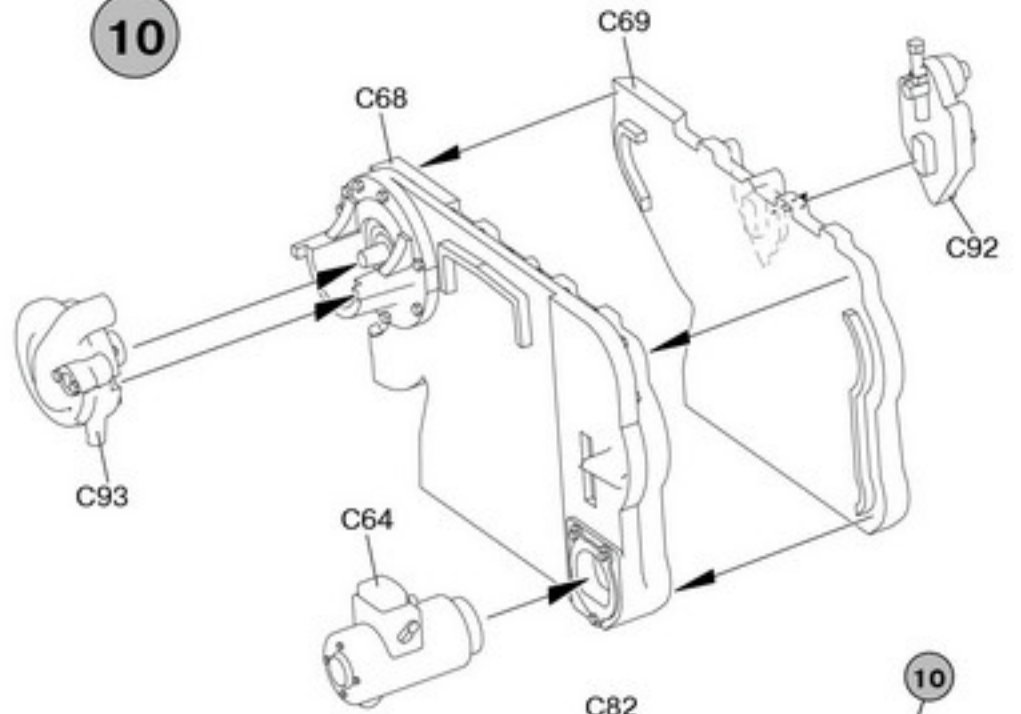




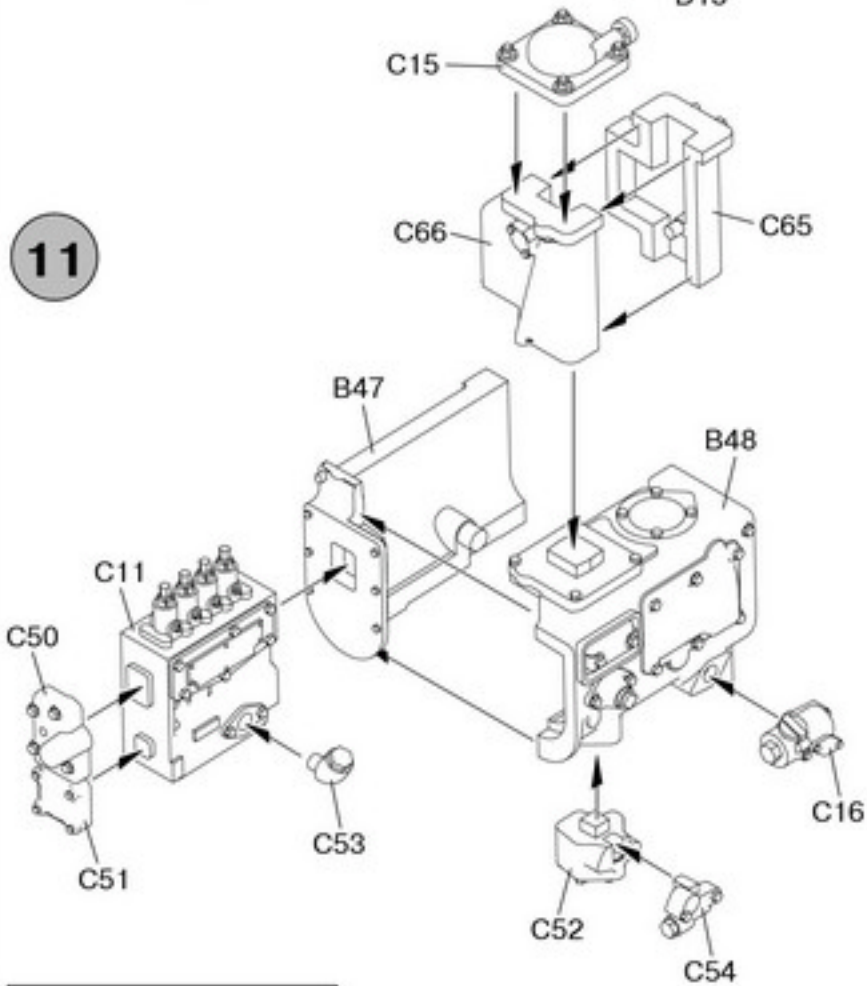
9



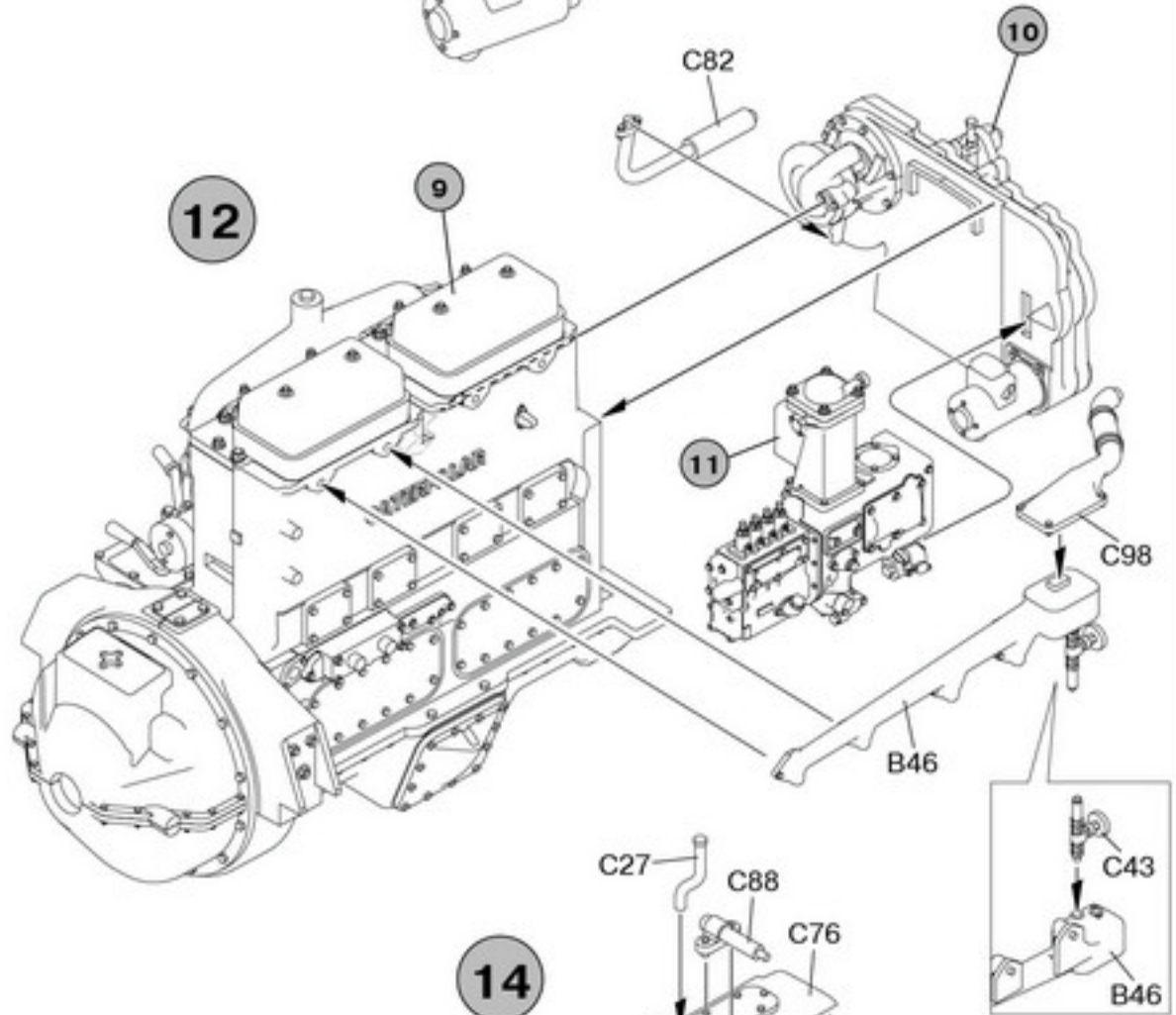
10



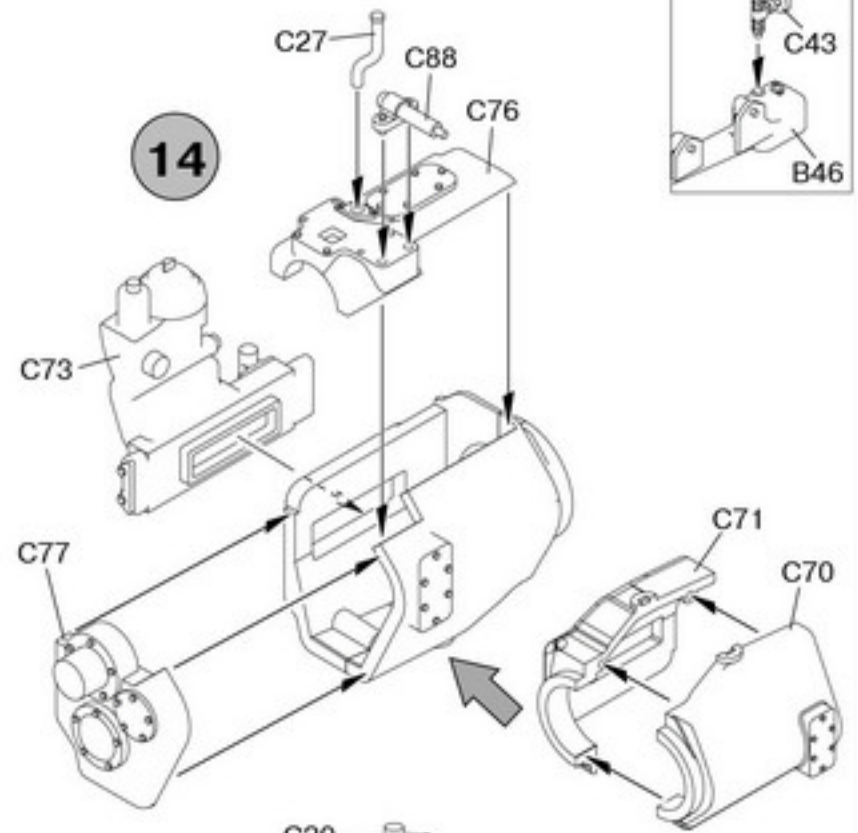
11



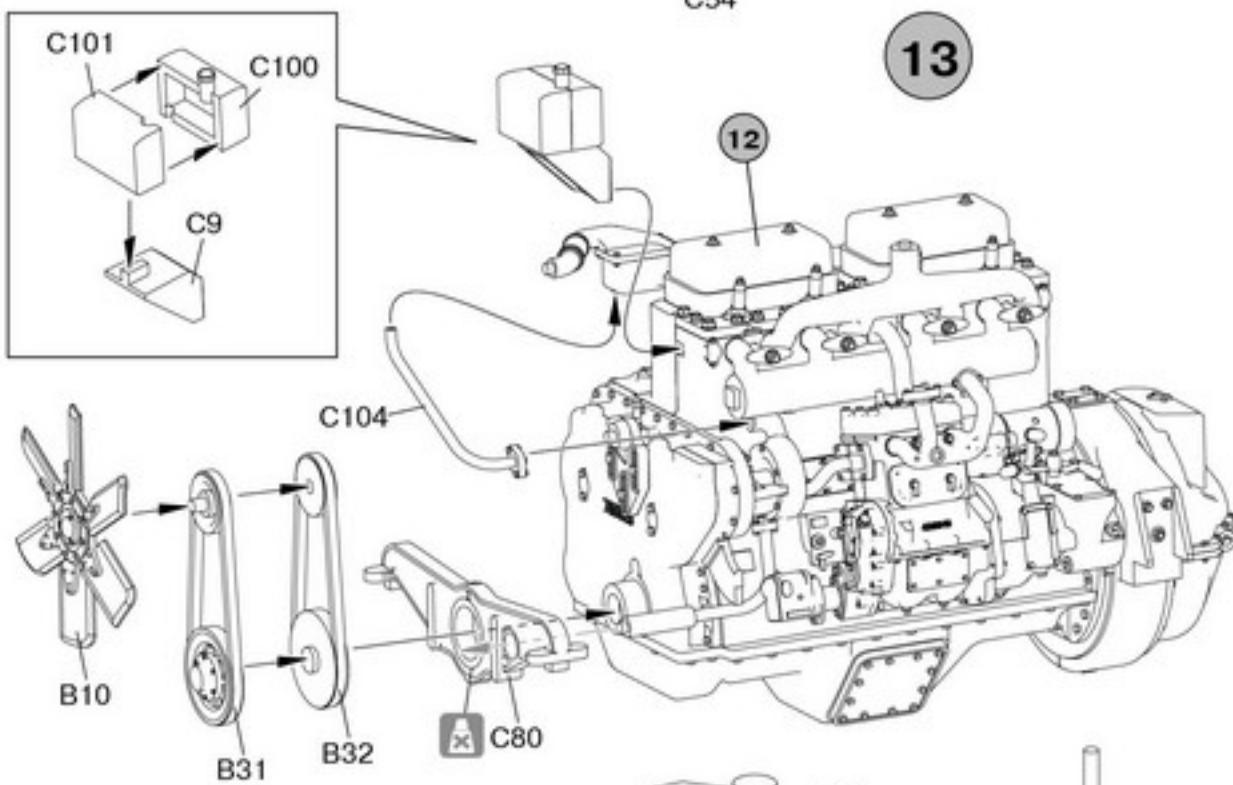
12



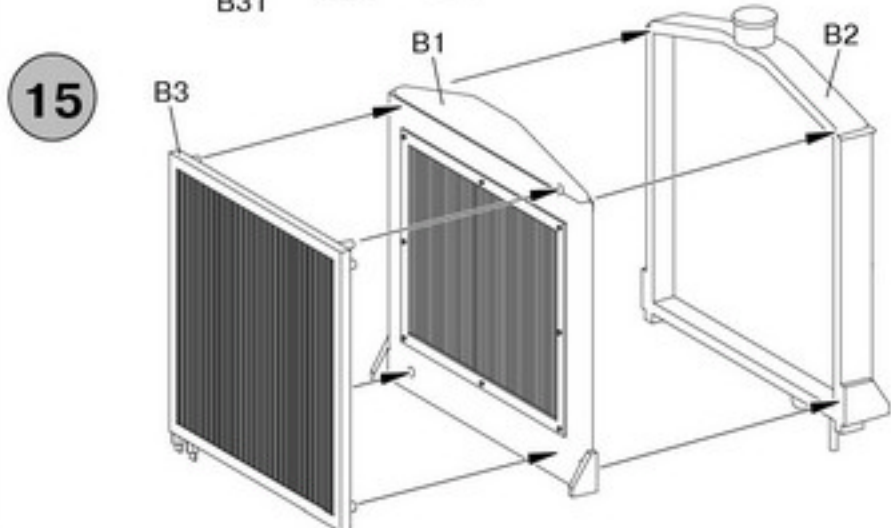
14



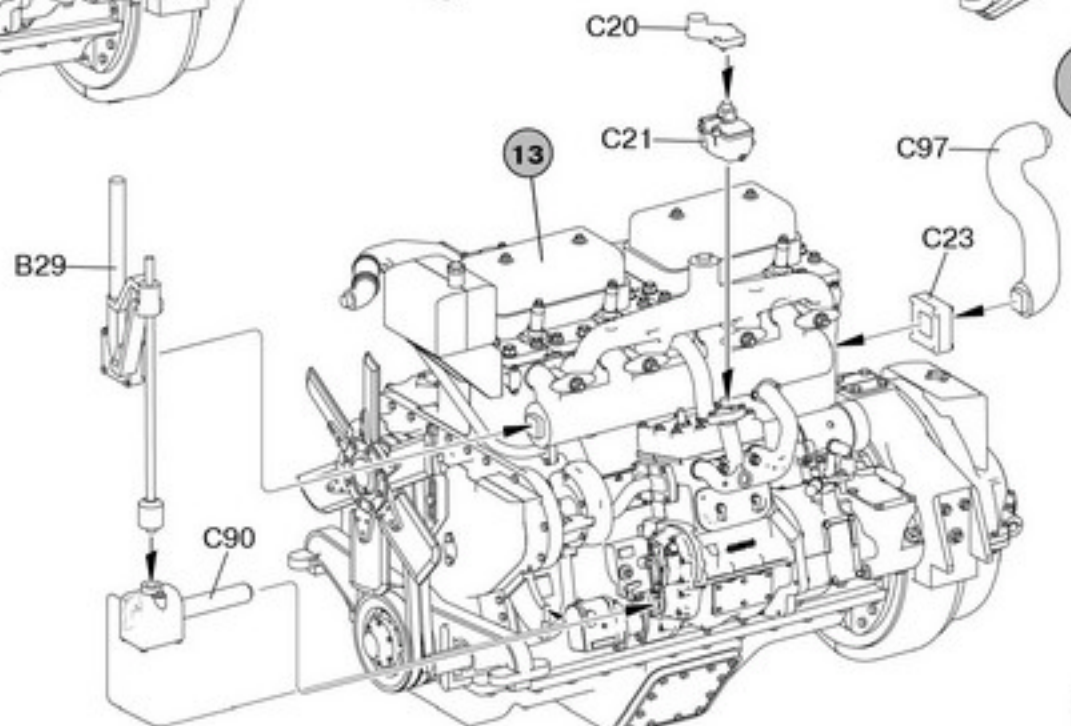
13



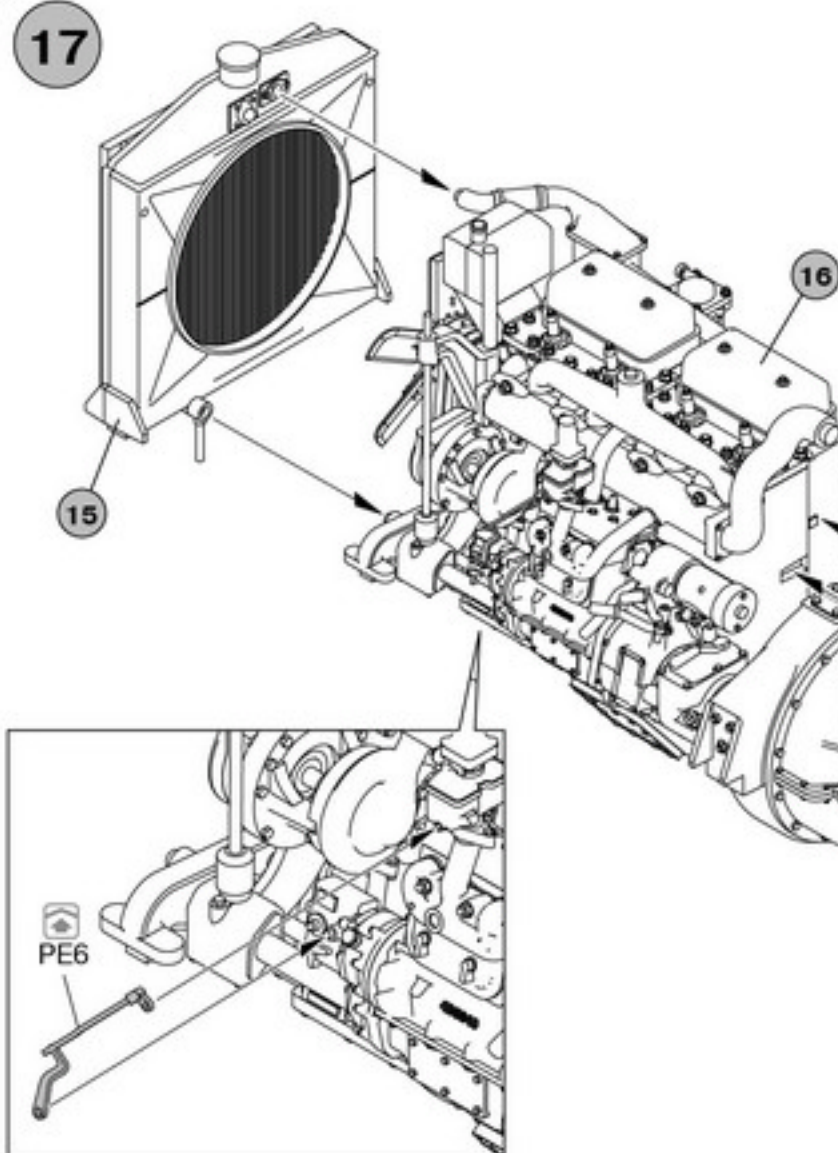
15



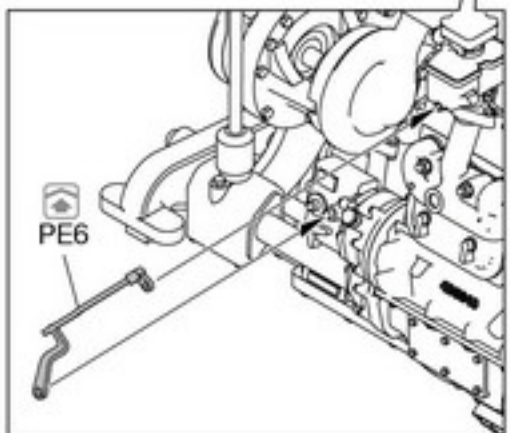
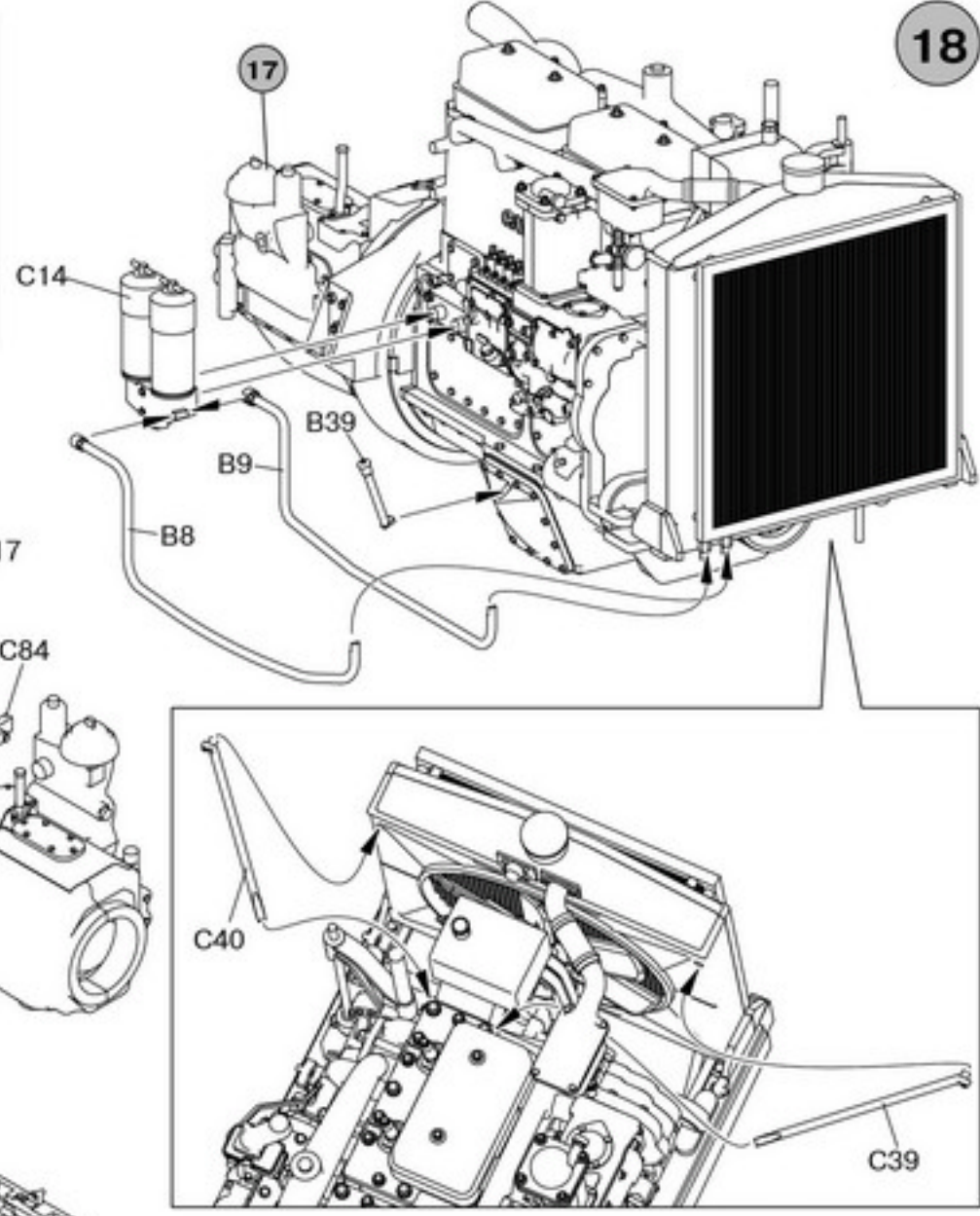
16



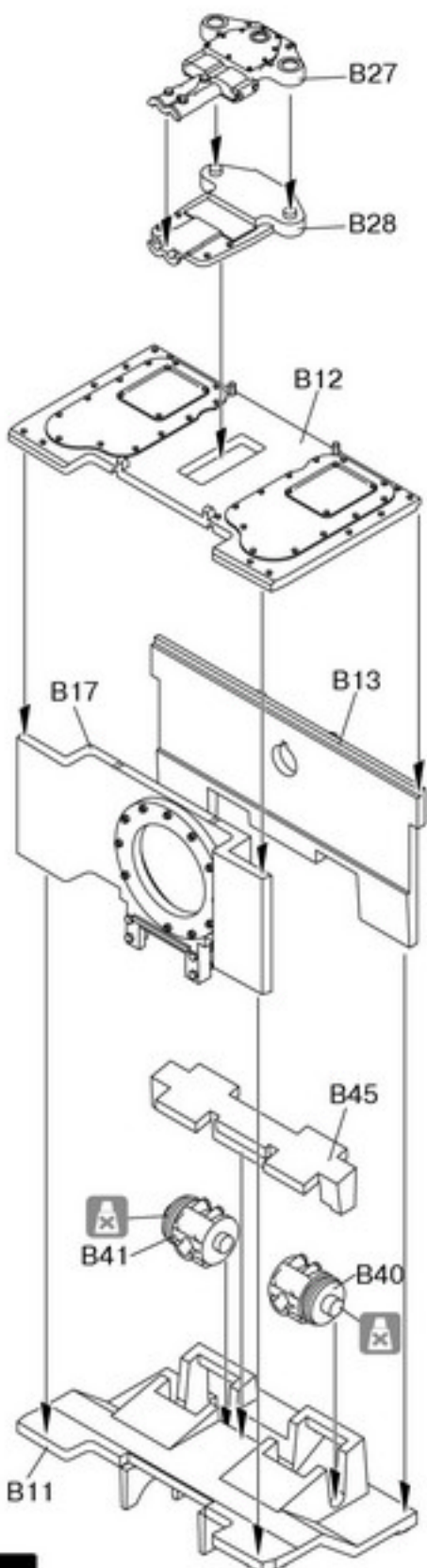
17



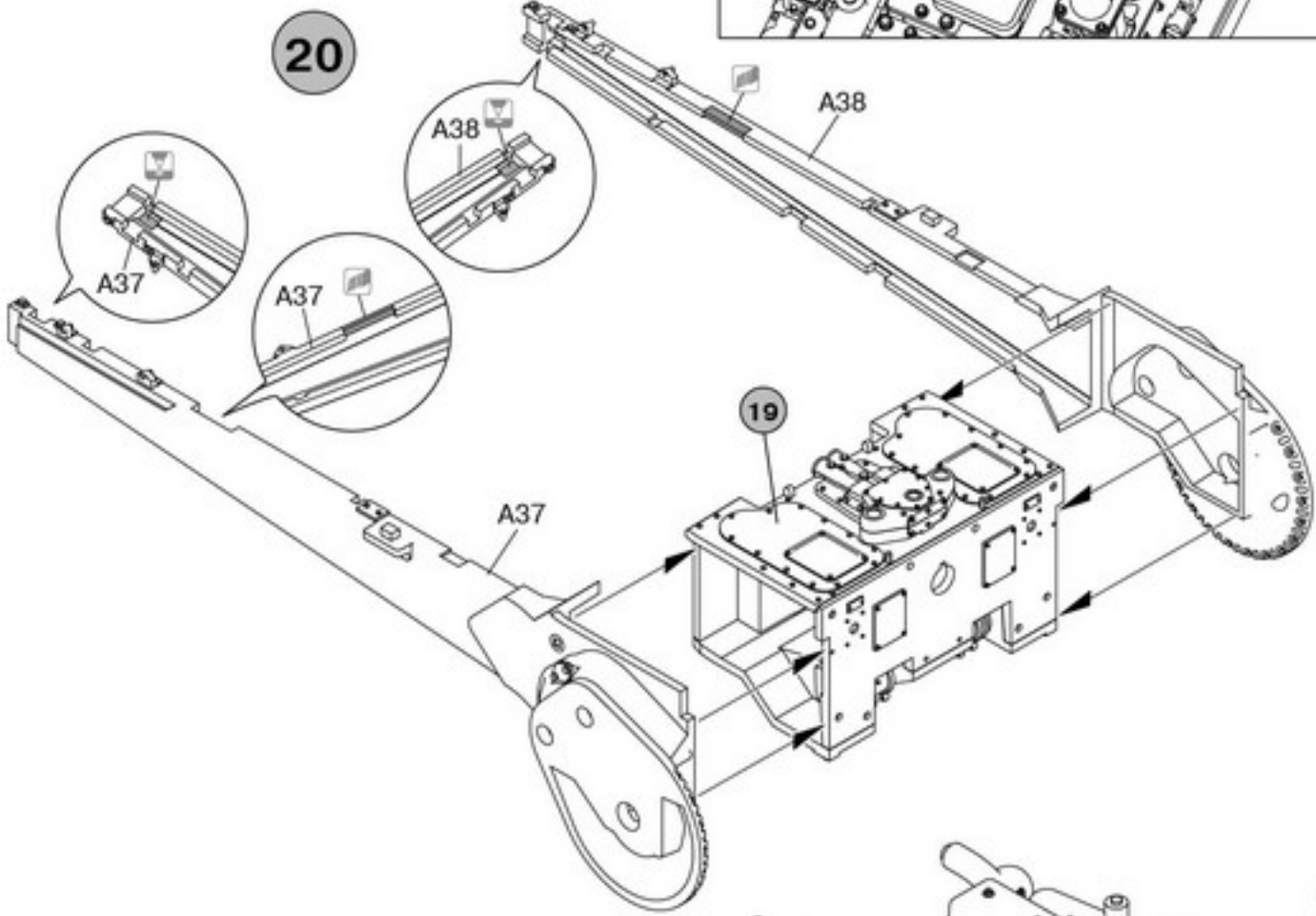
18



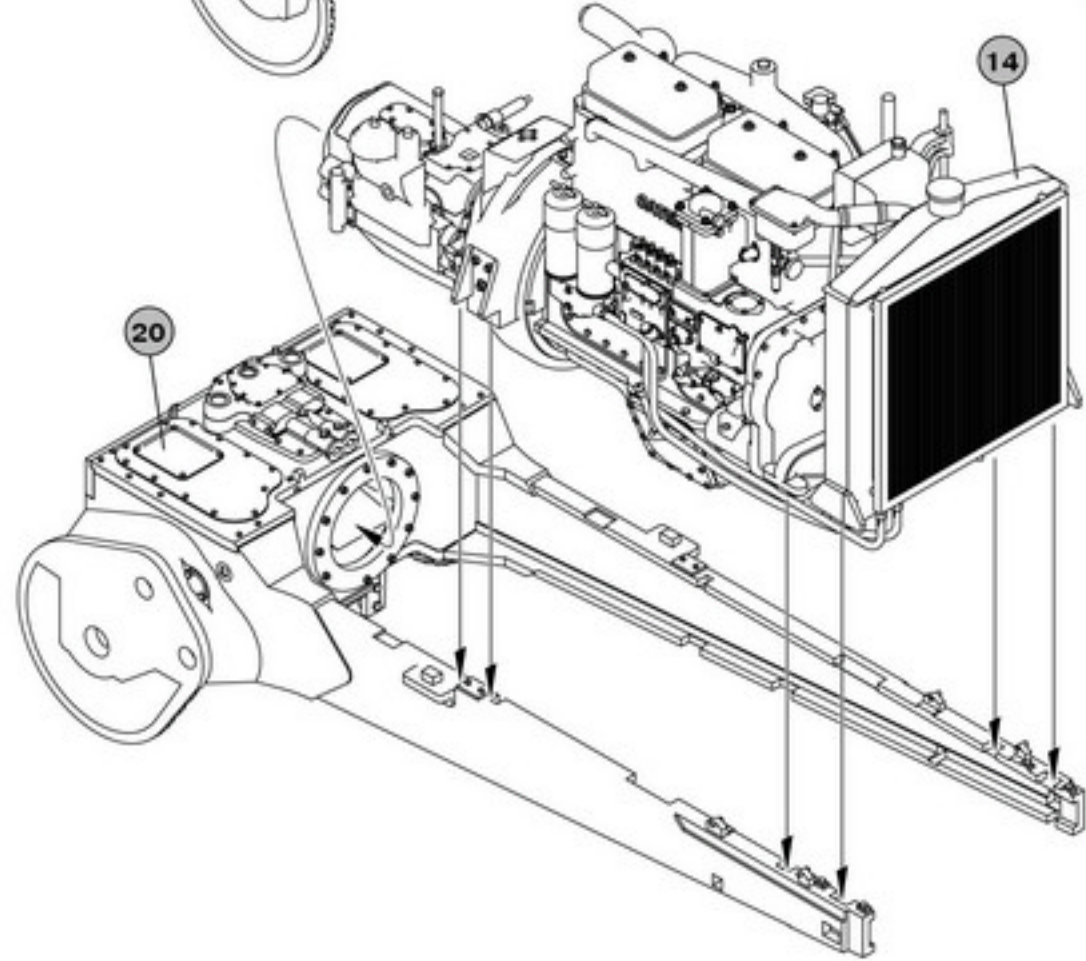
19



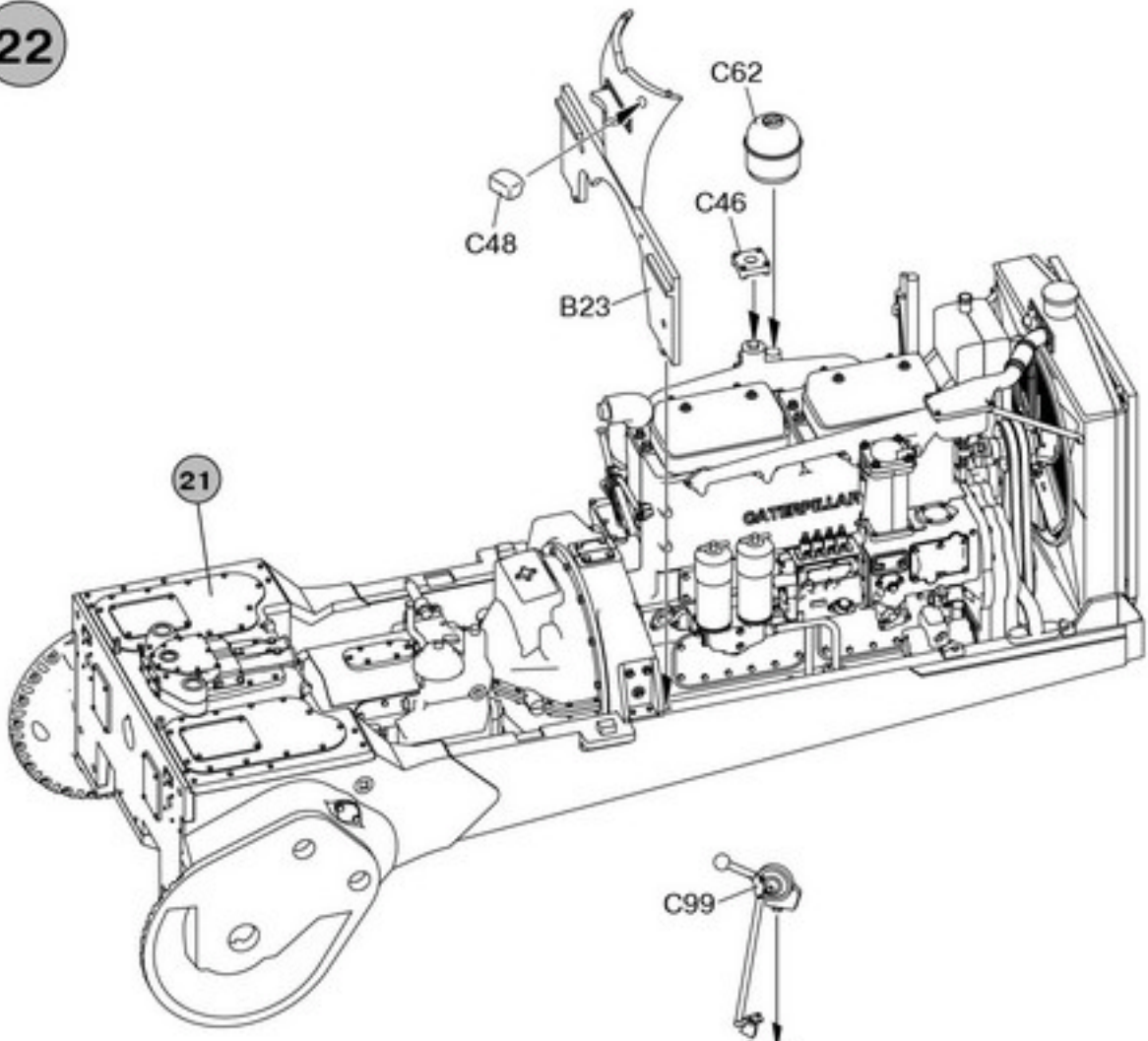
20



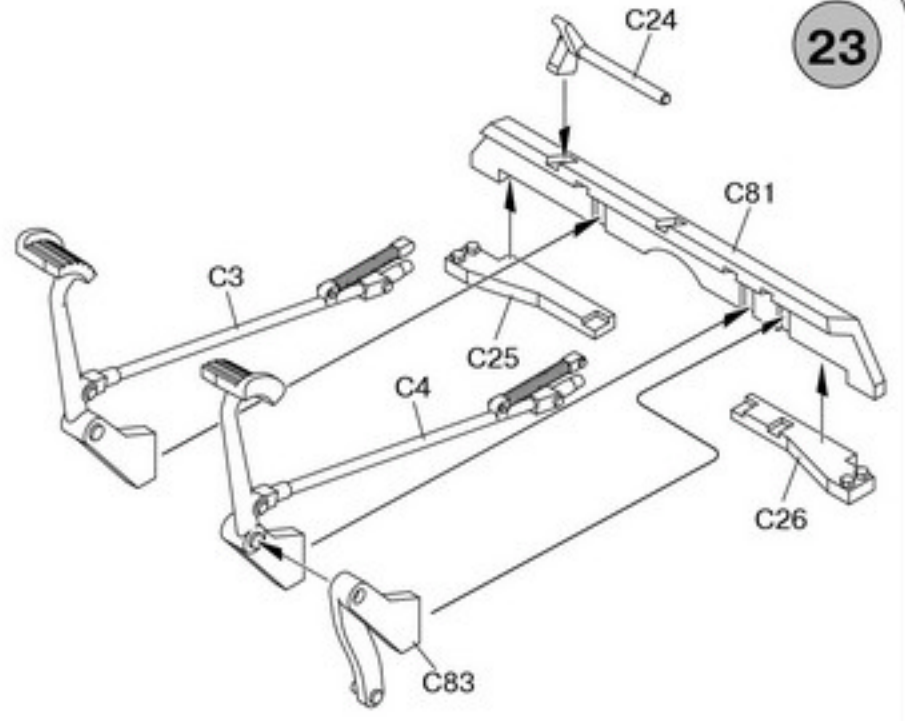
21



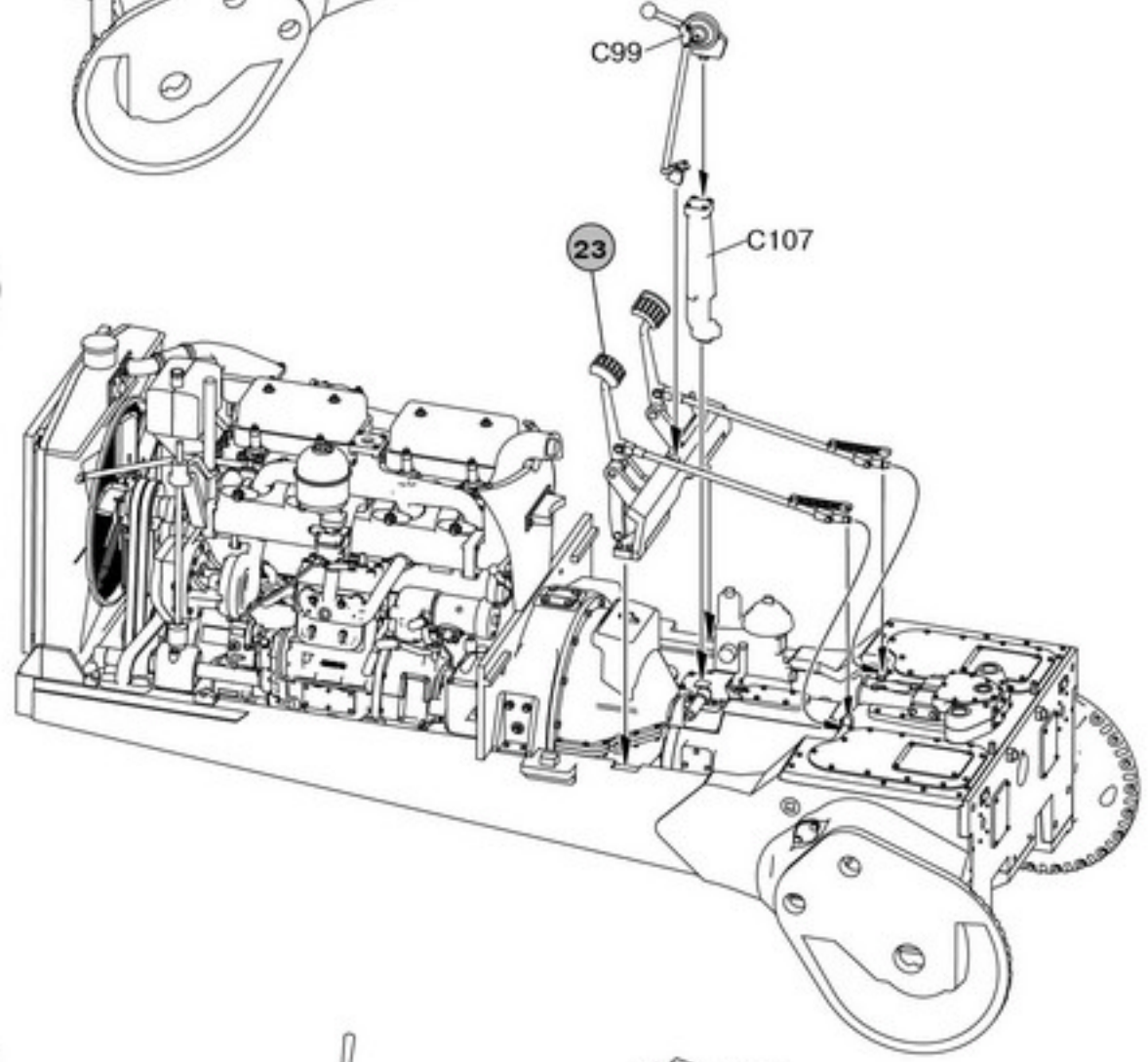
22



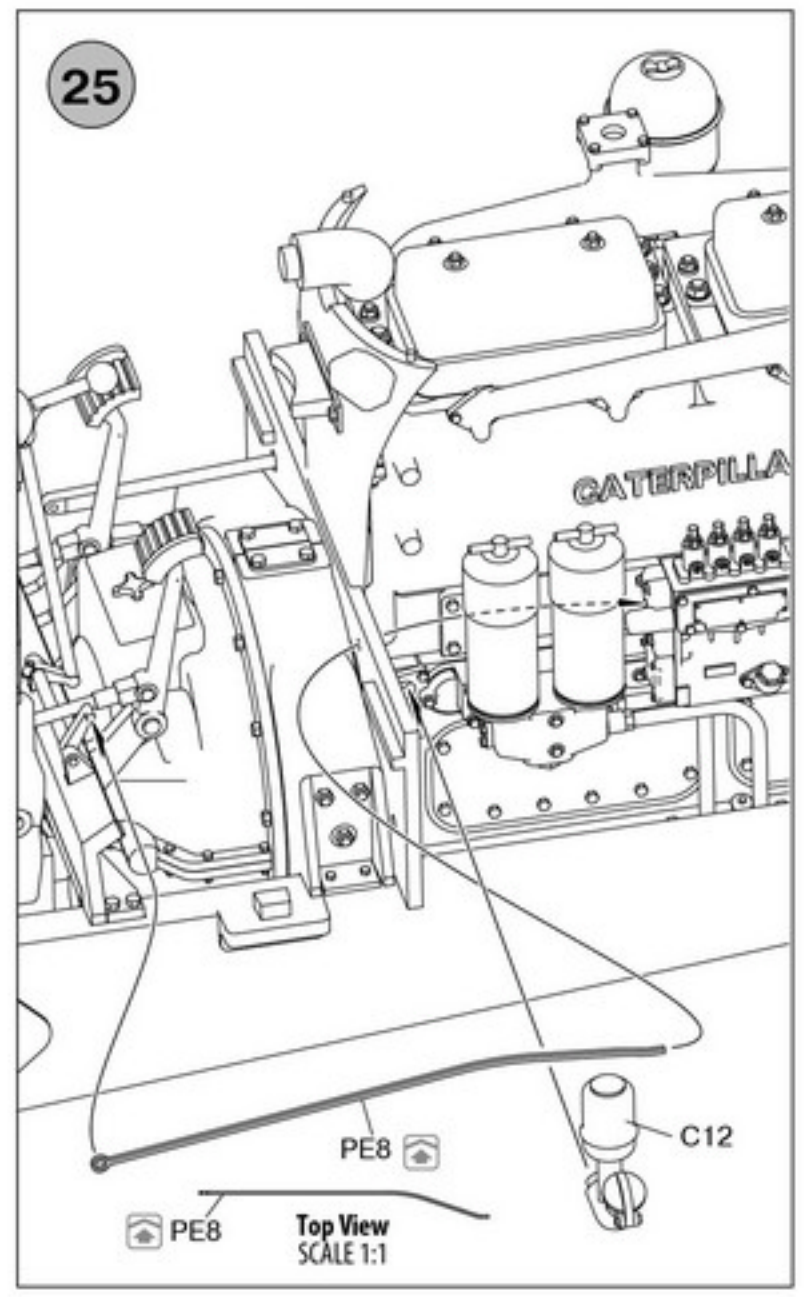
23



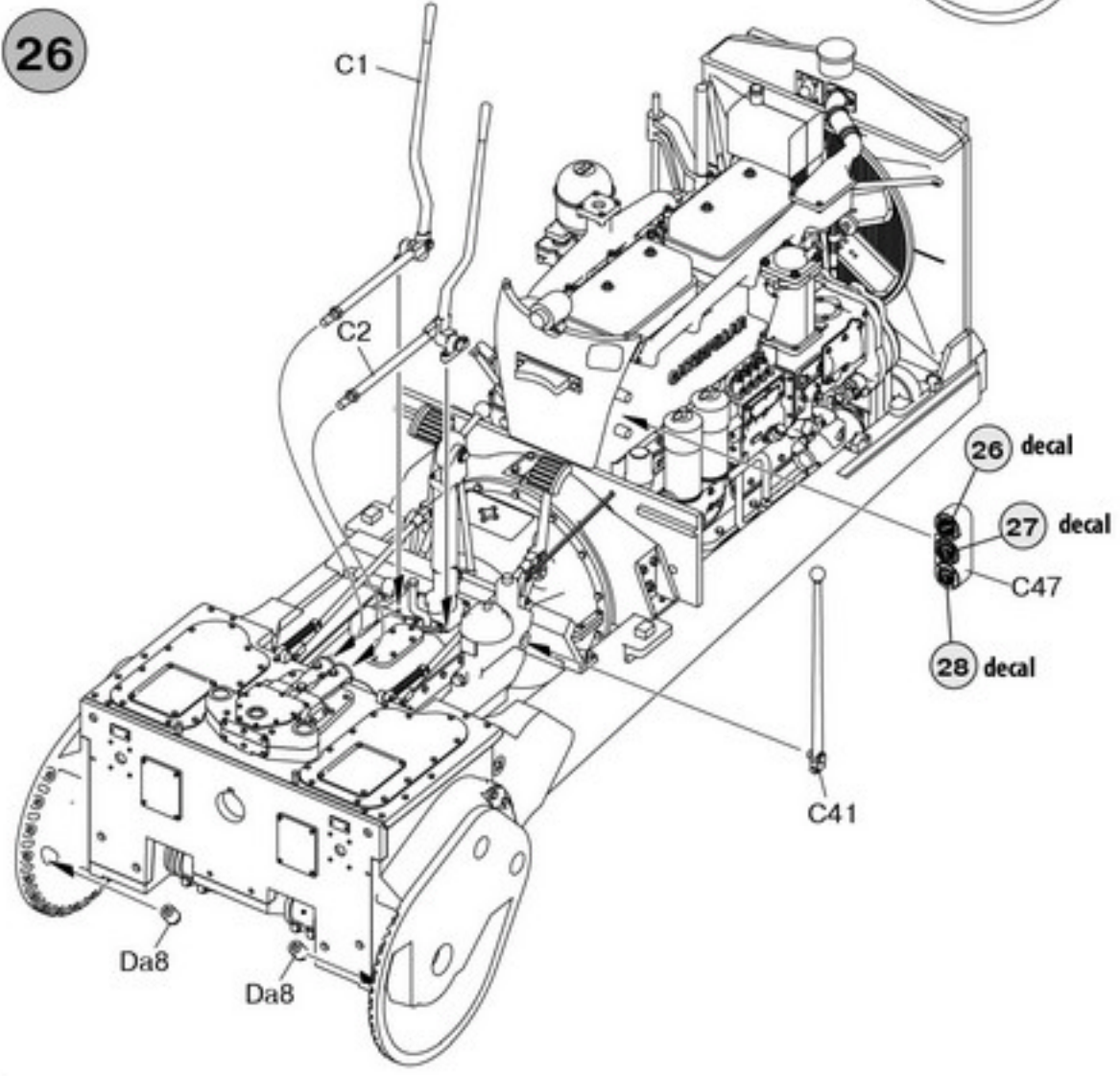
24



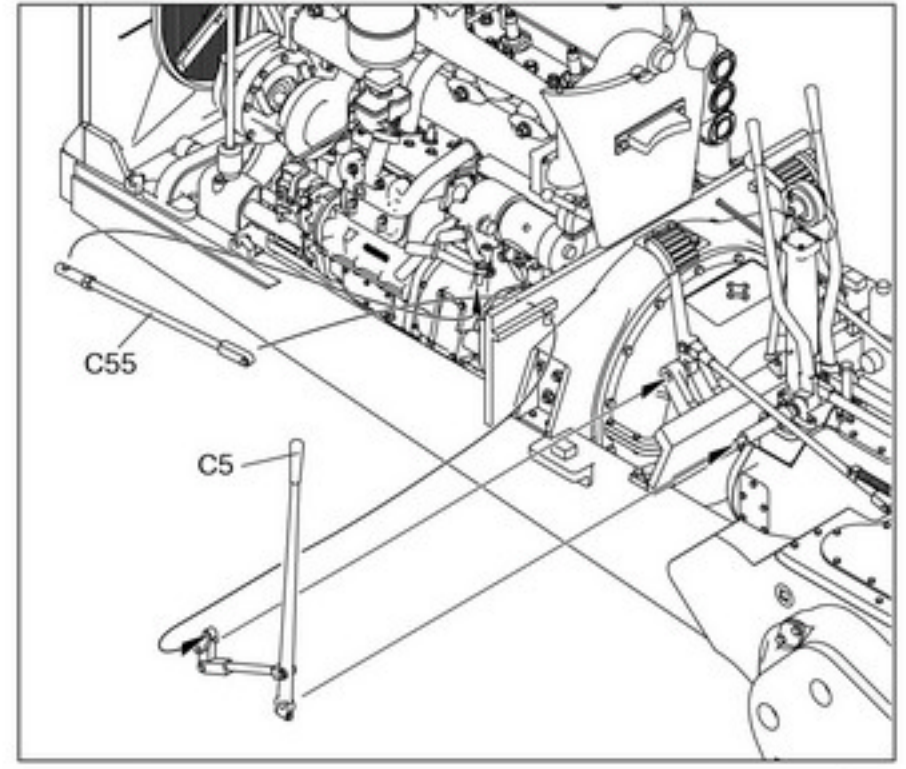
25



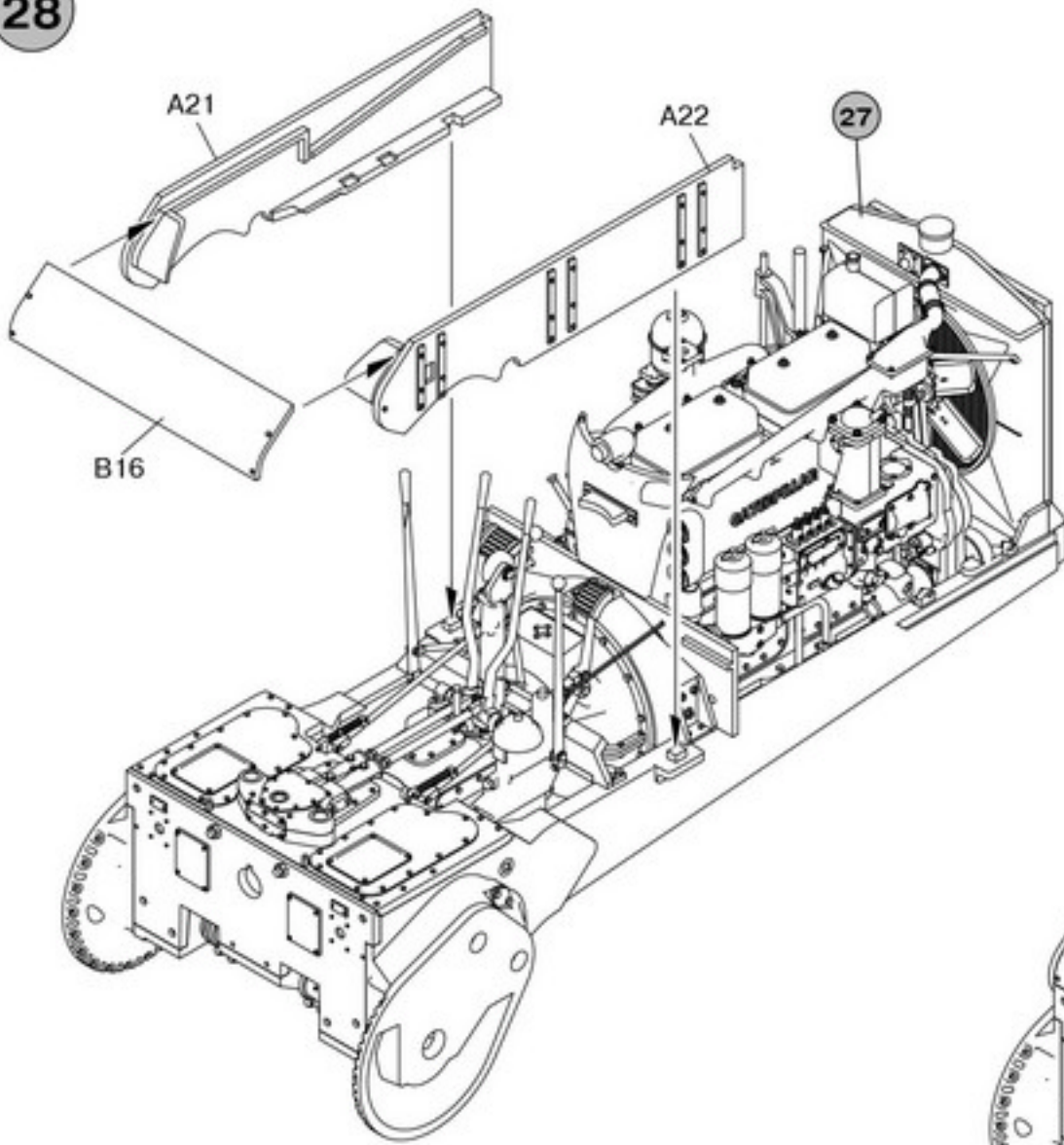
26



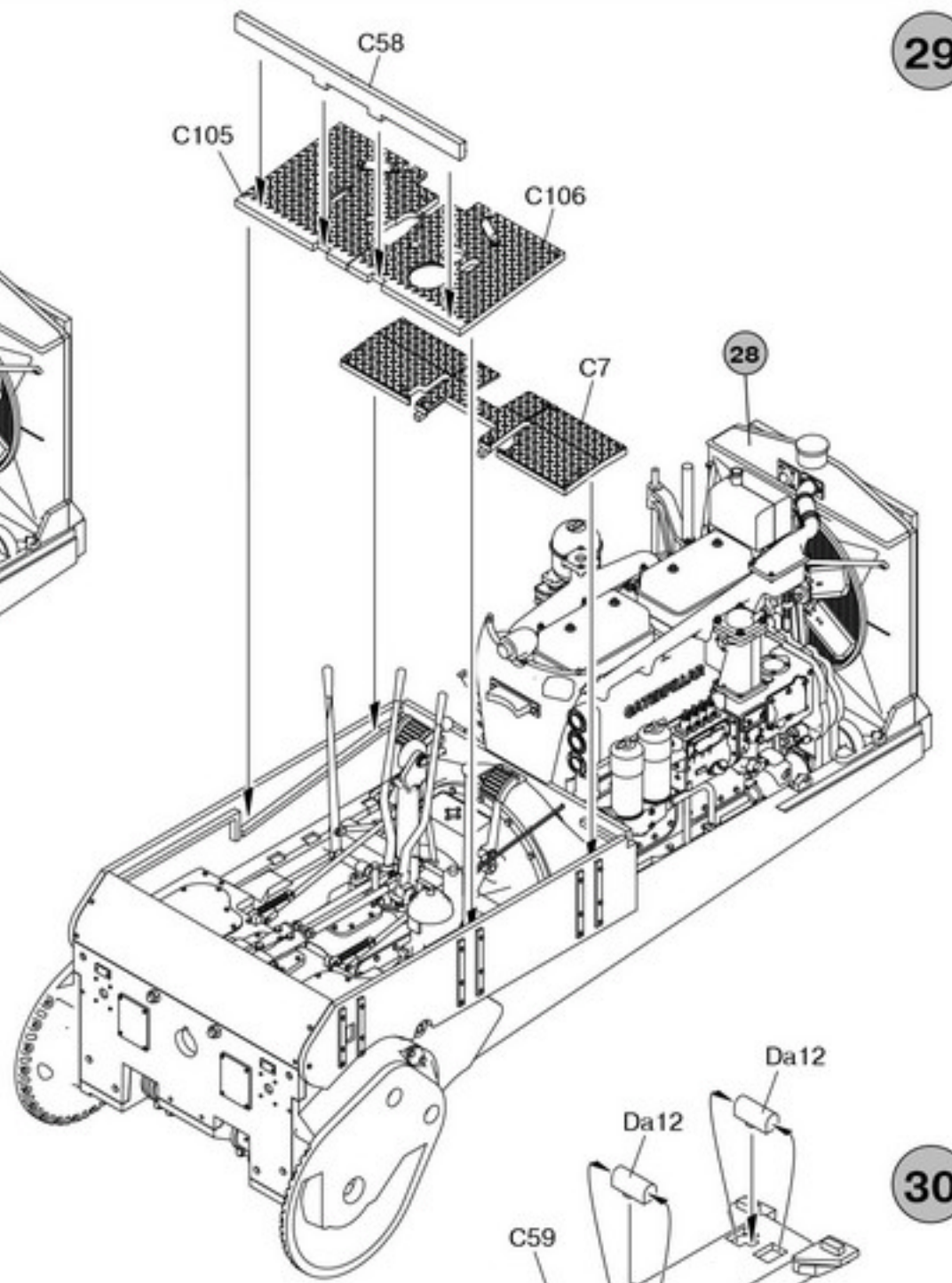
27



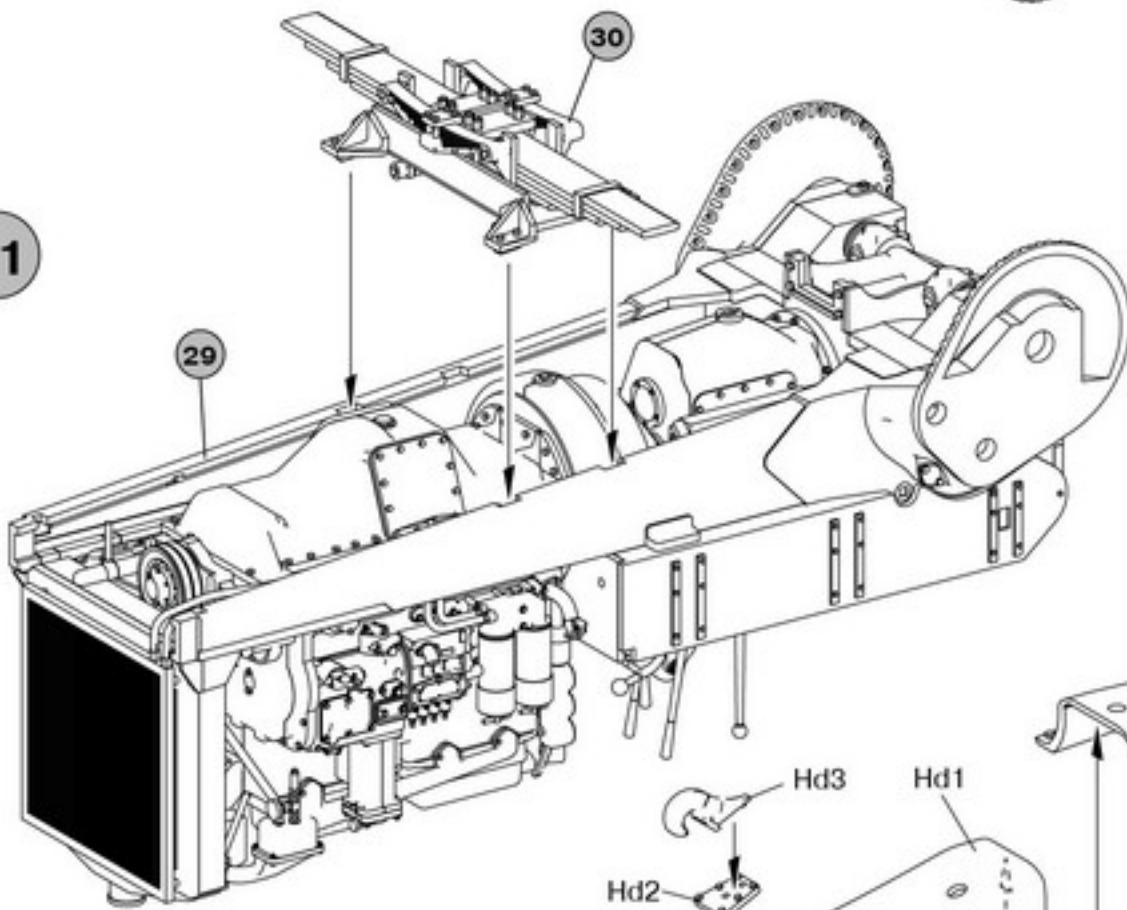
28



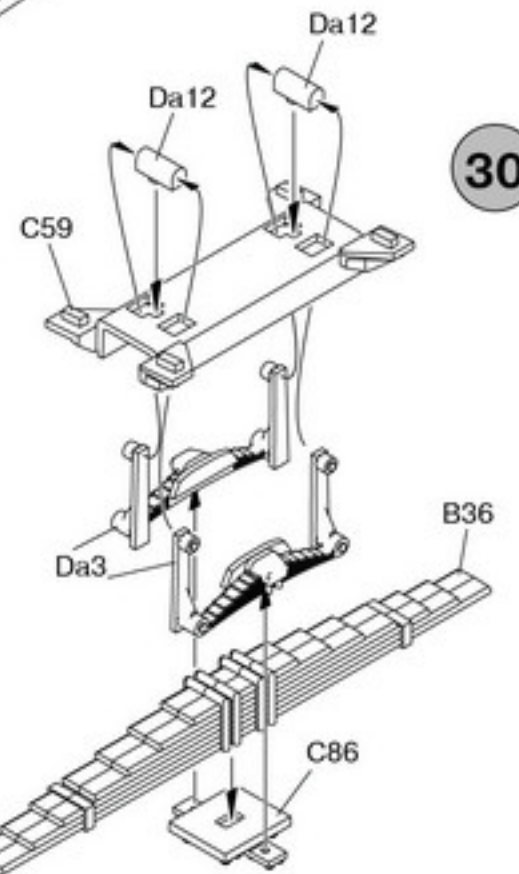
29



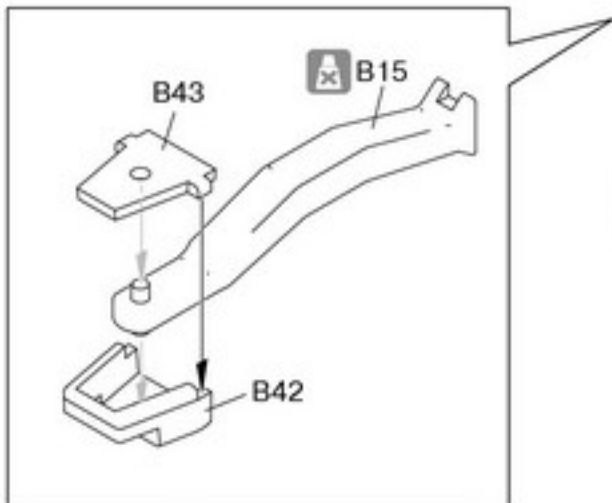
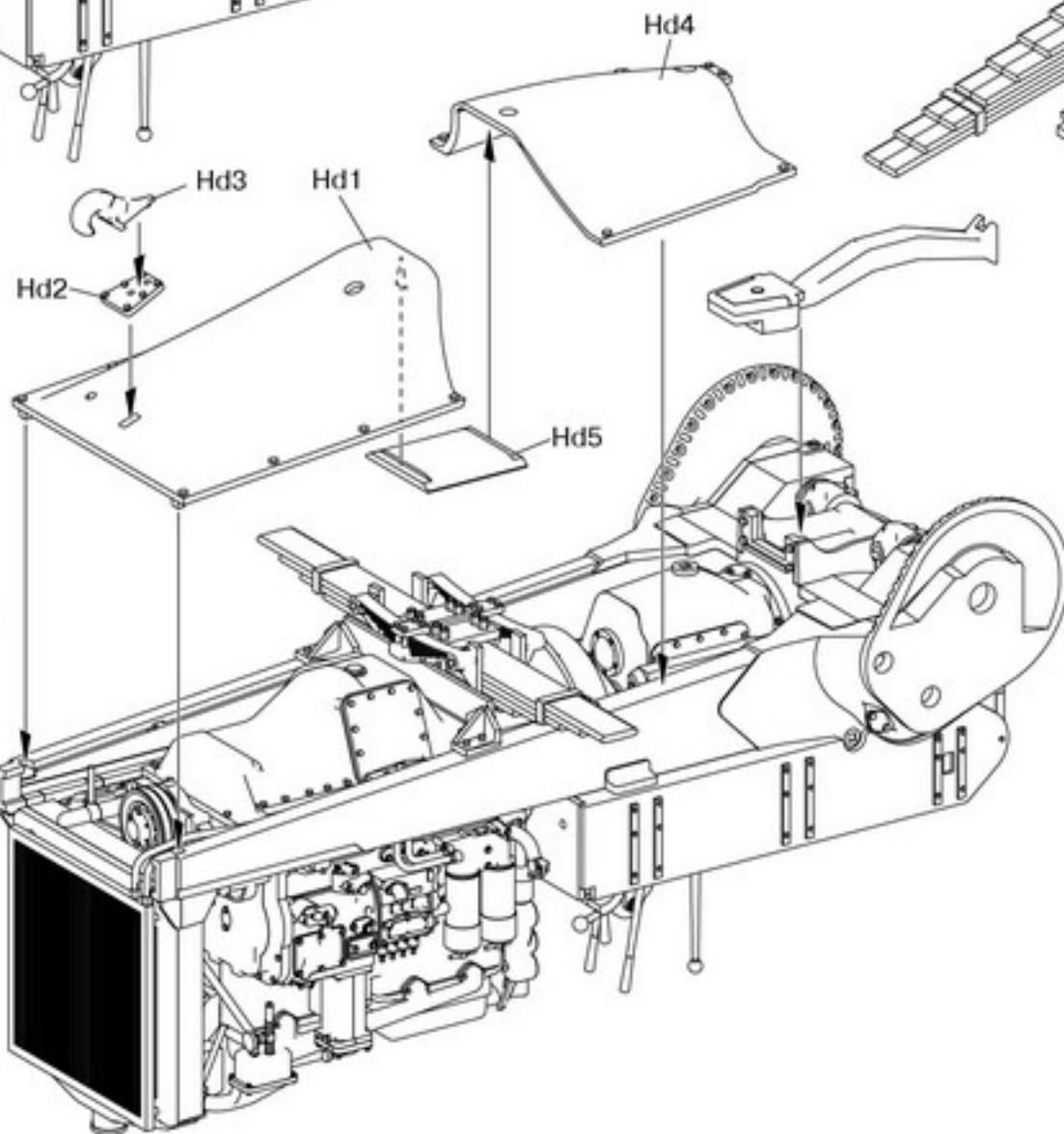
31

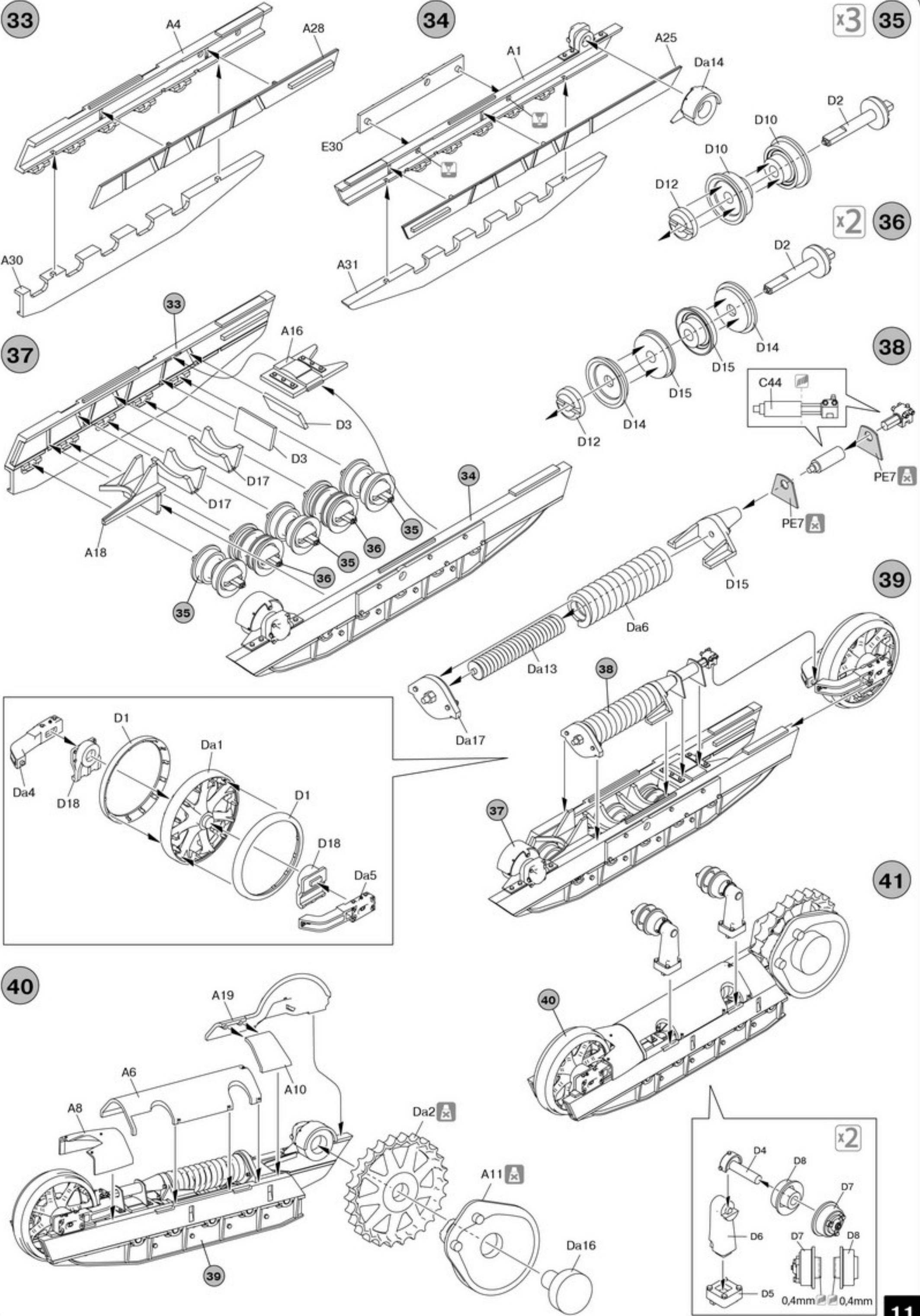


30



32





33

34

x3

35

37

x2

36

38

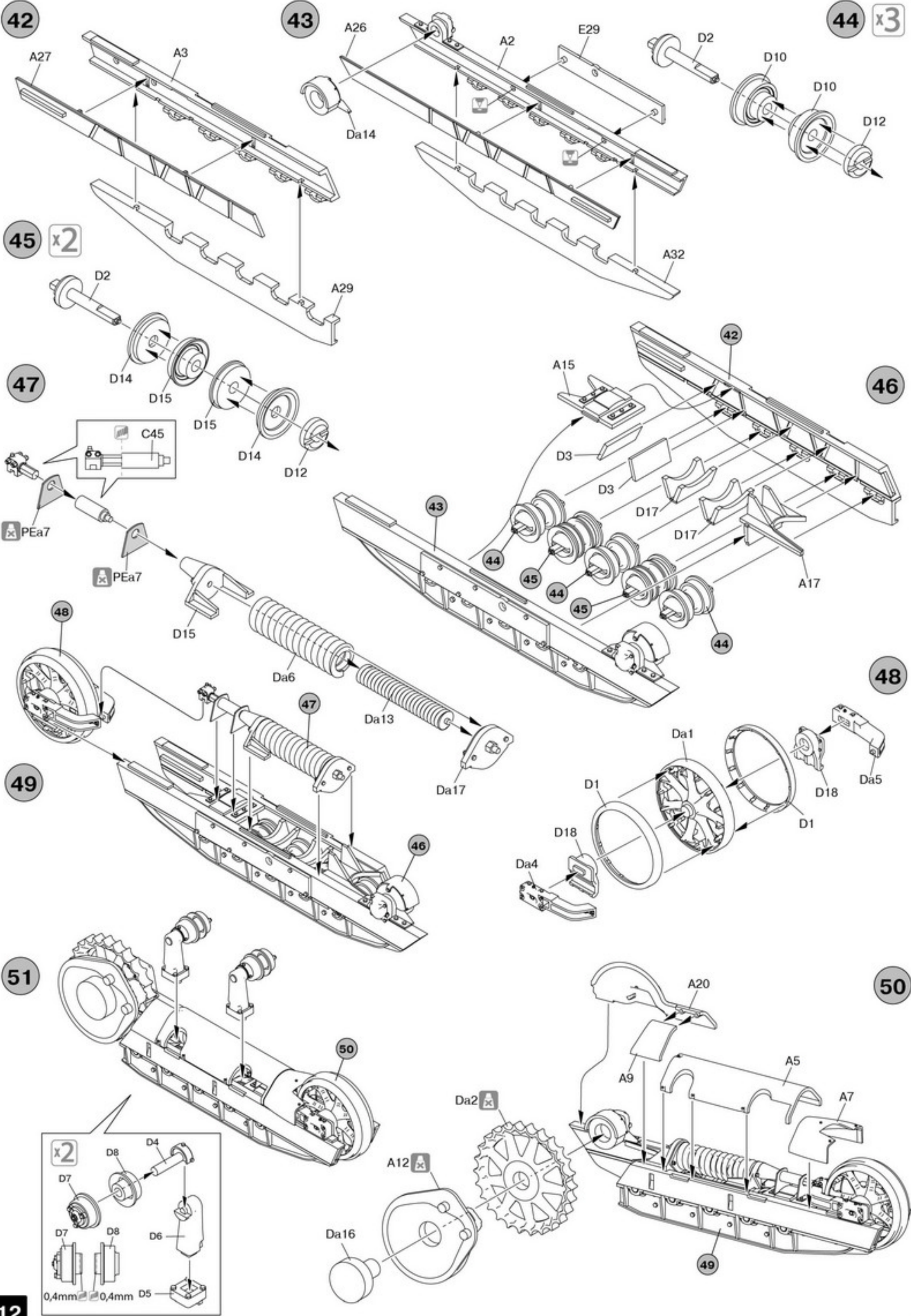
39

41

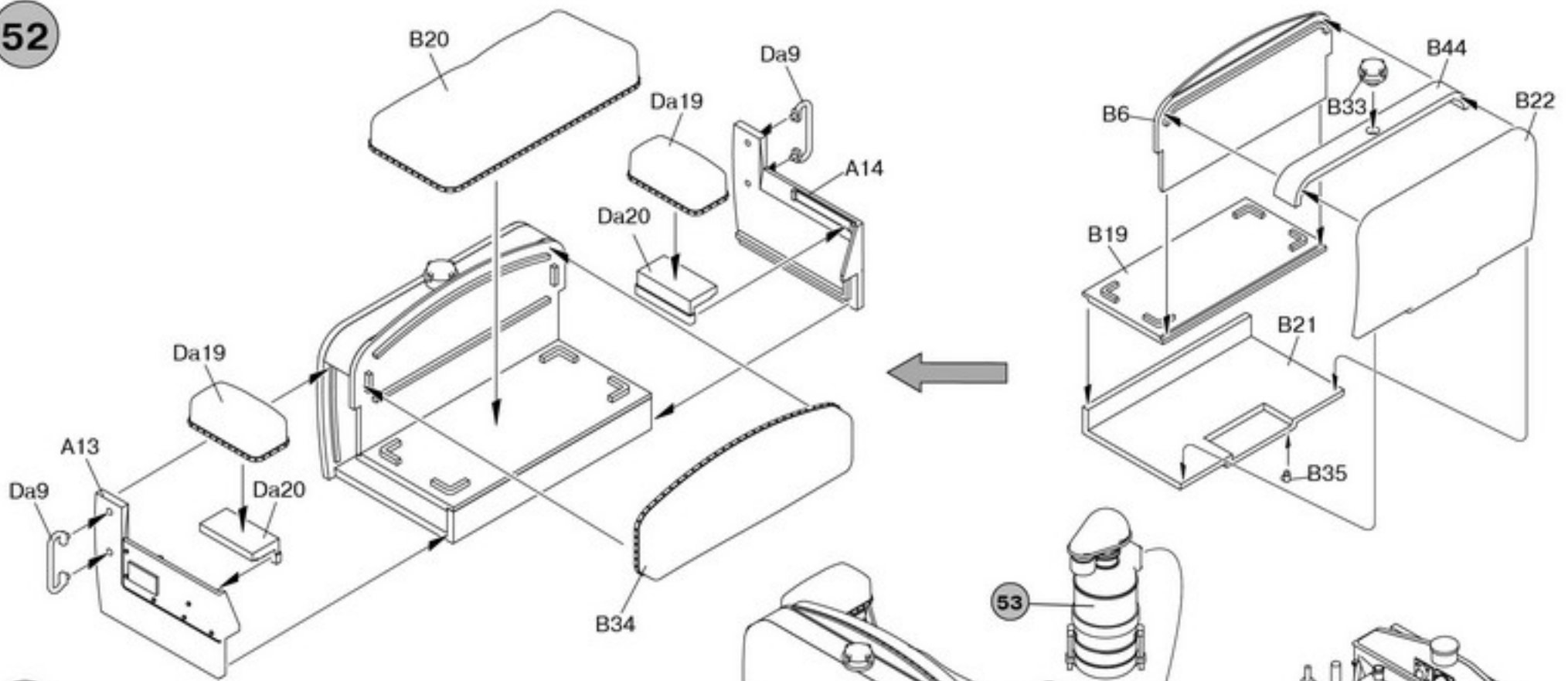
40

x2

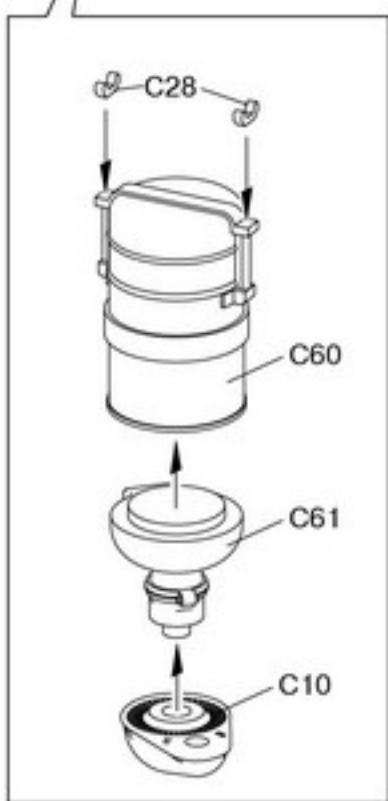
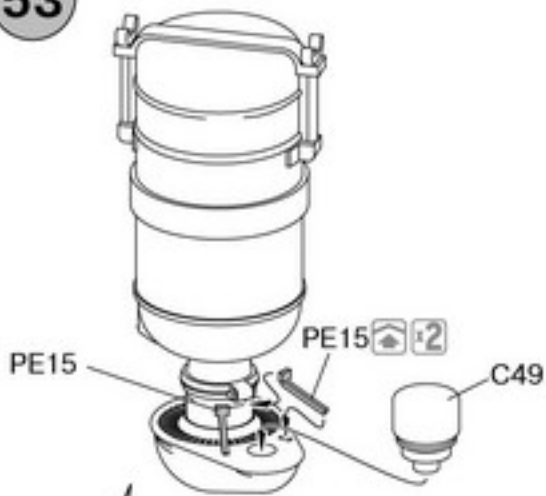
11



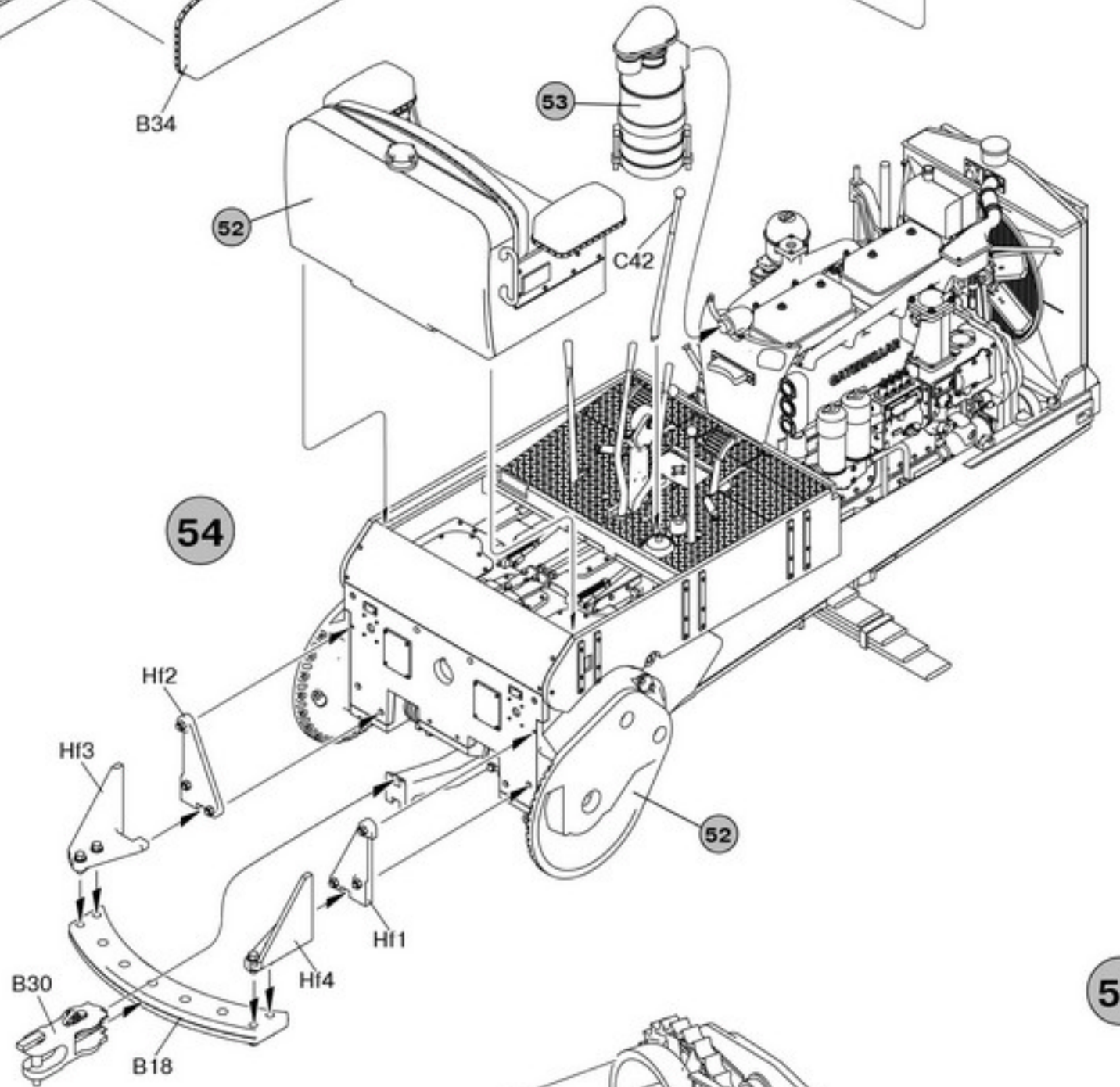
52



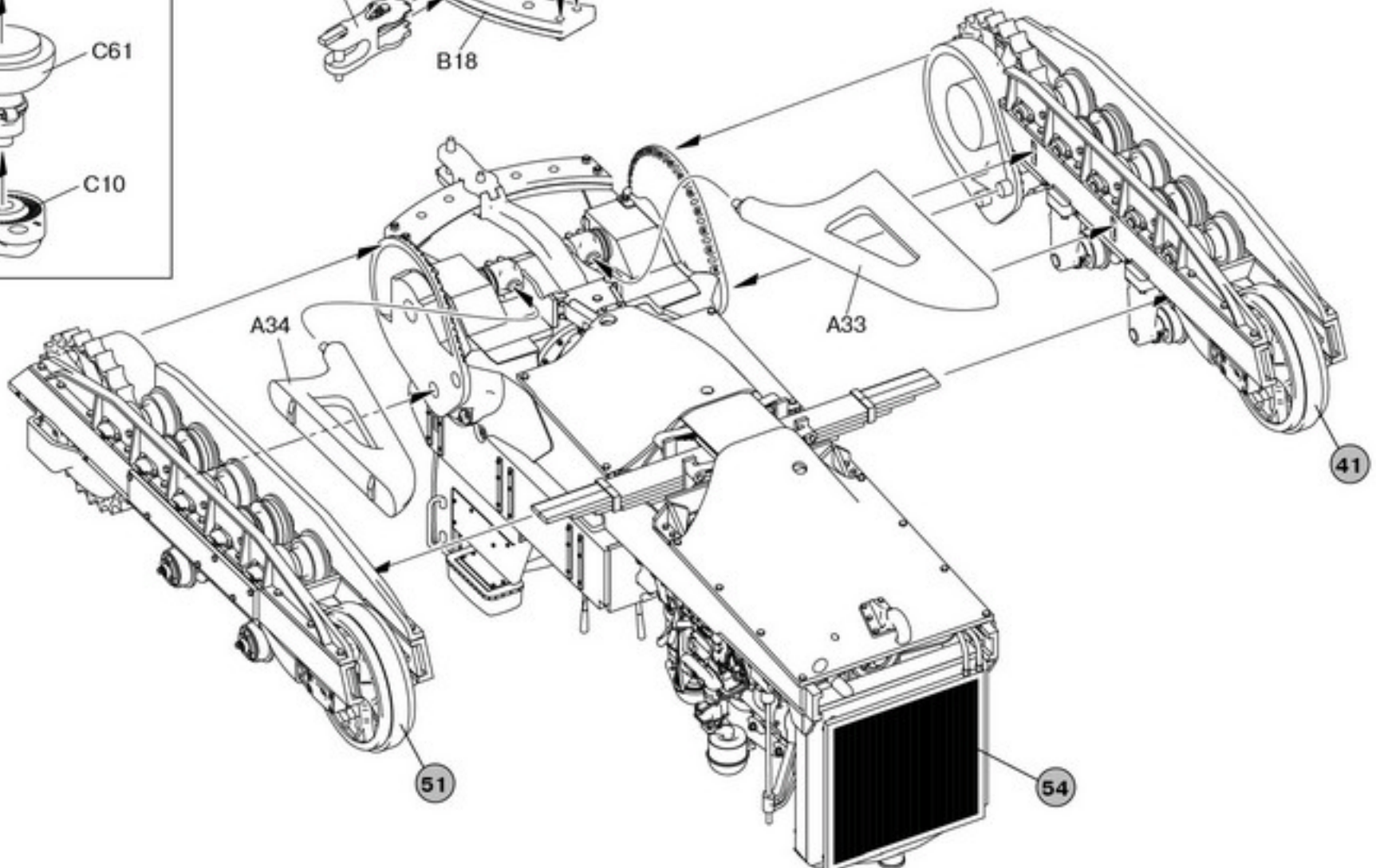
53



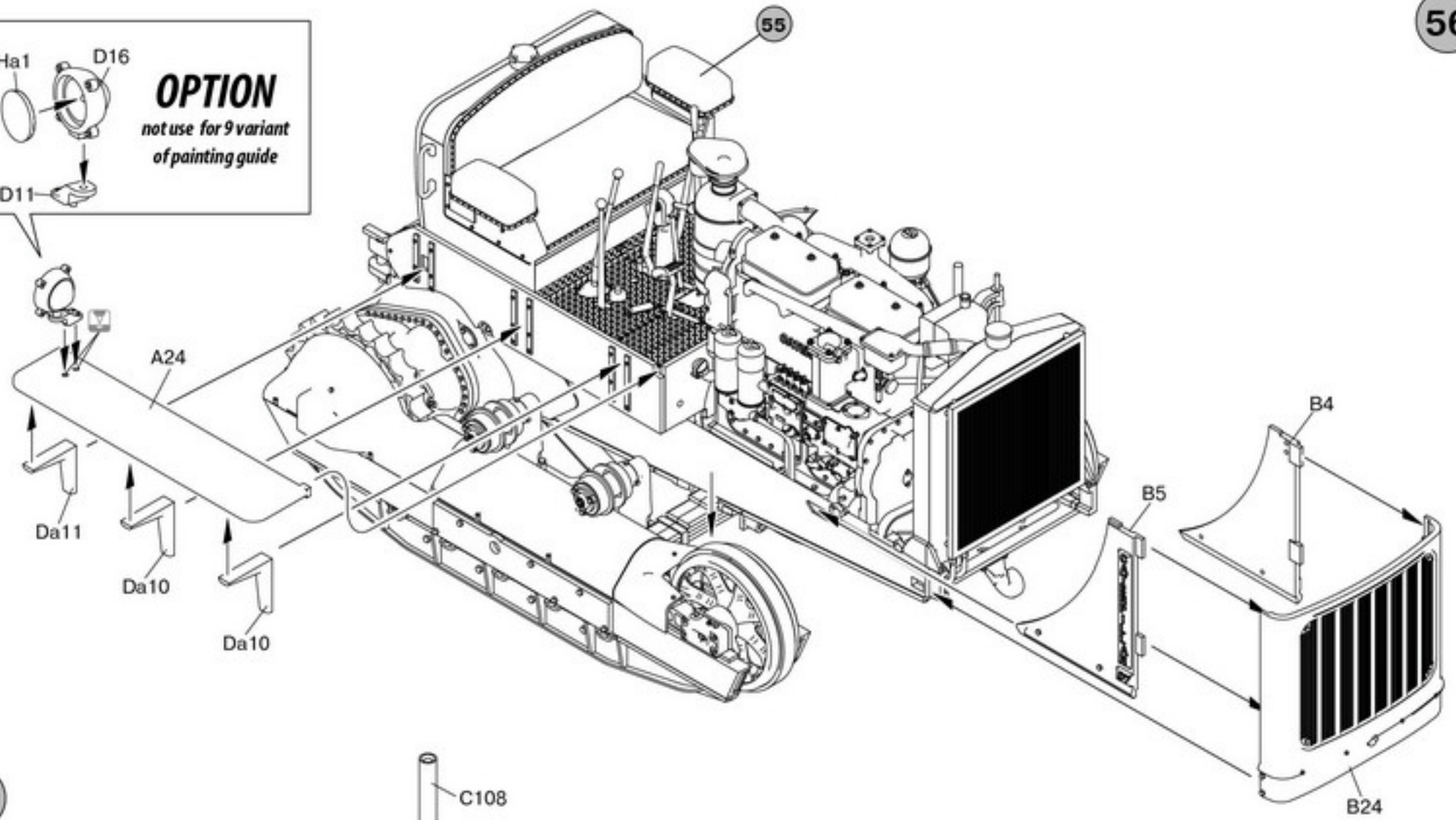
54



55

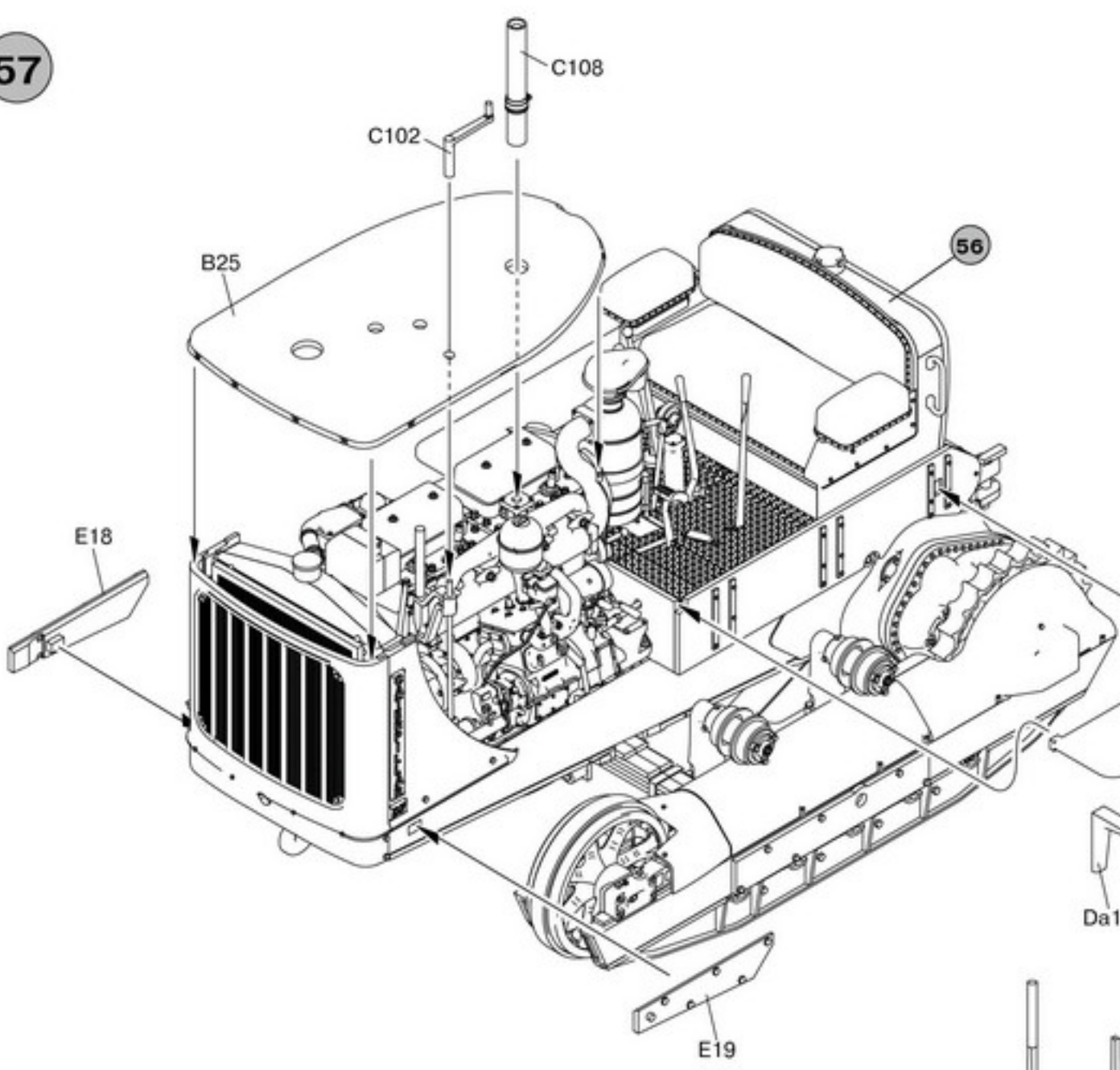


OPTION
not use for 9 variant
of painting guide

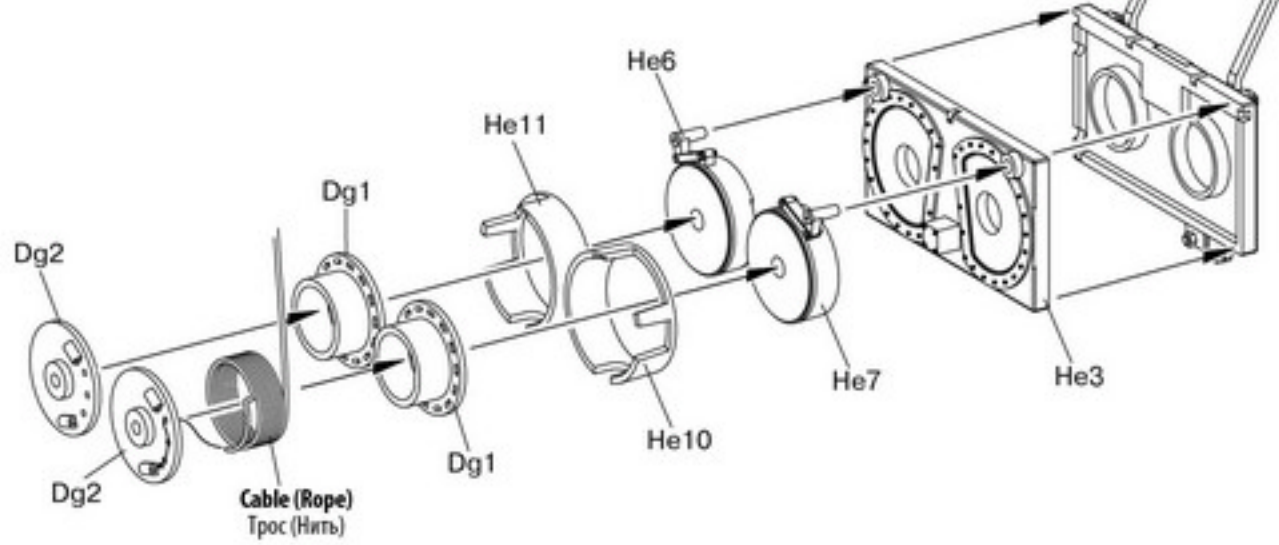
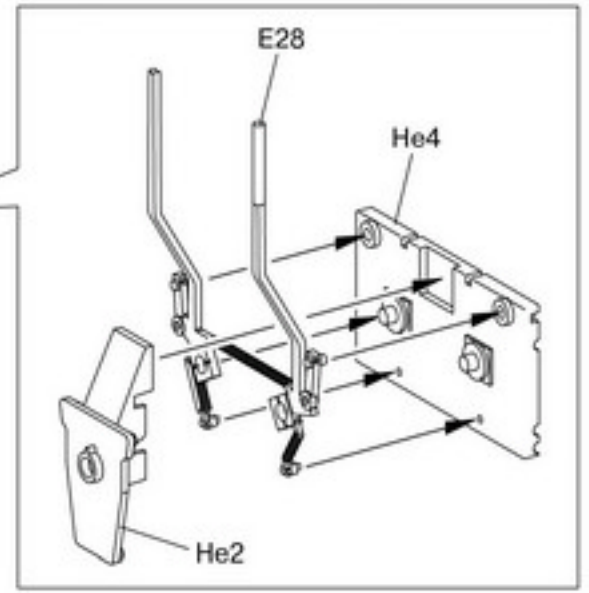


OPTION
not use for 9 variant
of painting guide

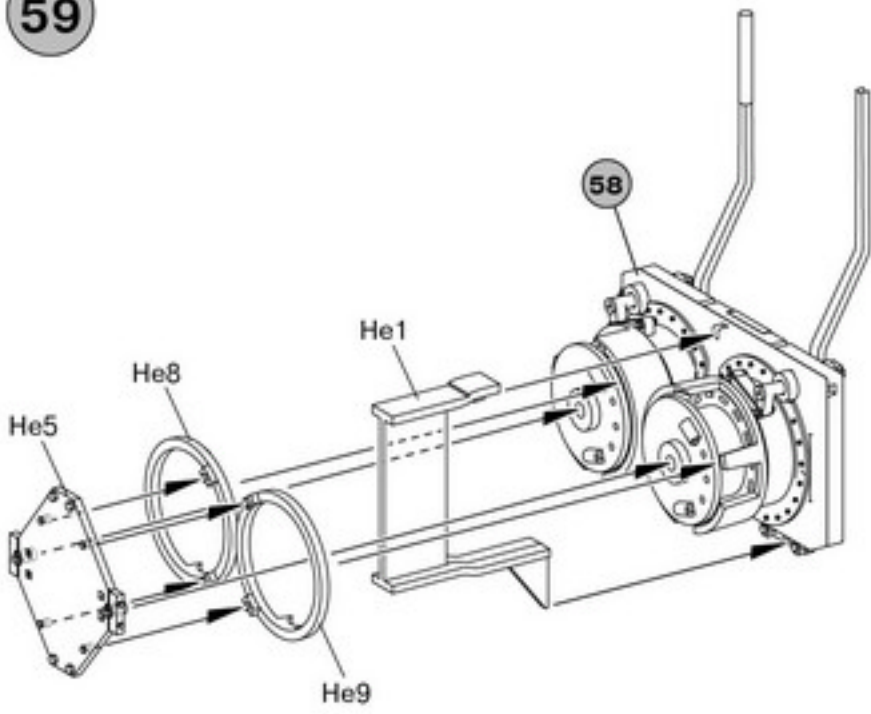
OPTION
not make a hole
for 9 variant
of painting guide



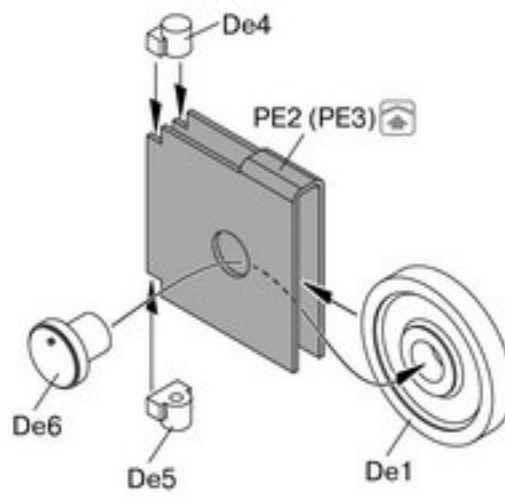
OPTION
for 9 variant
of painting guide



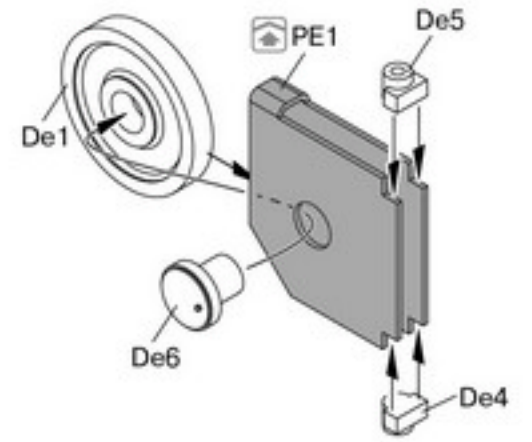
59



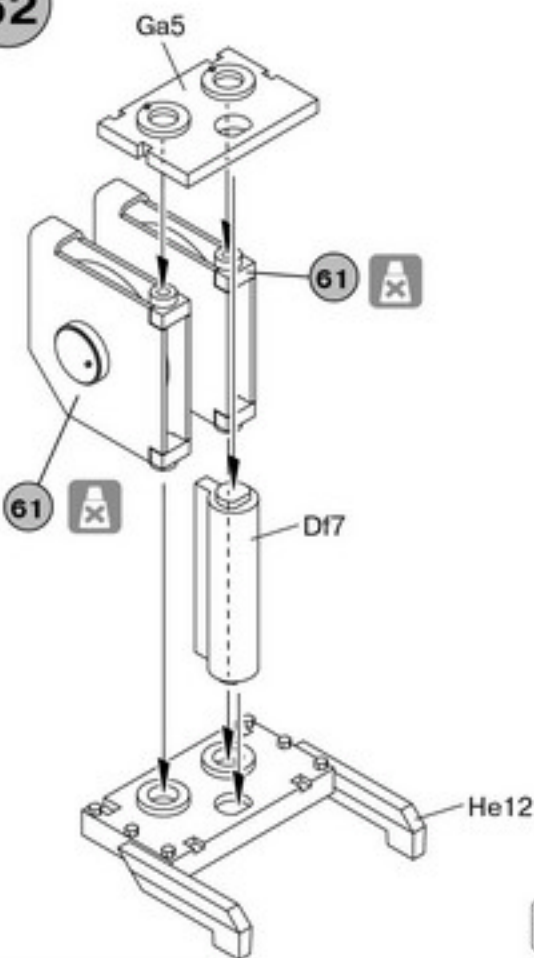
60 x2



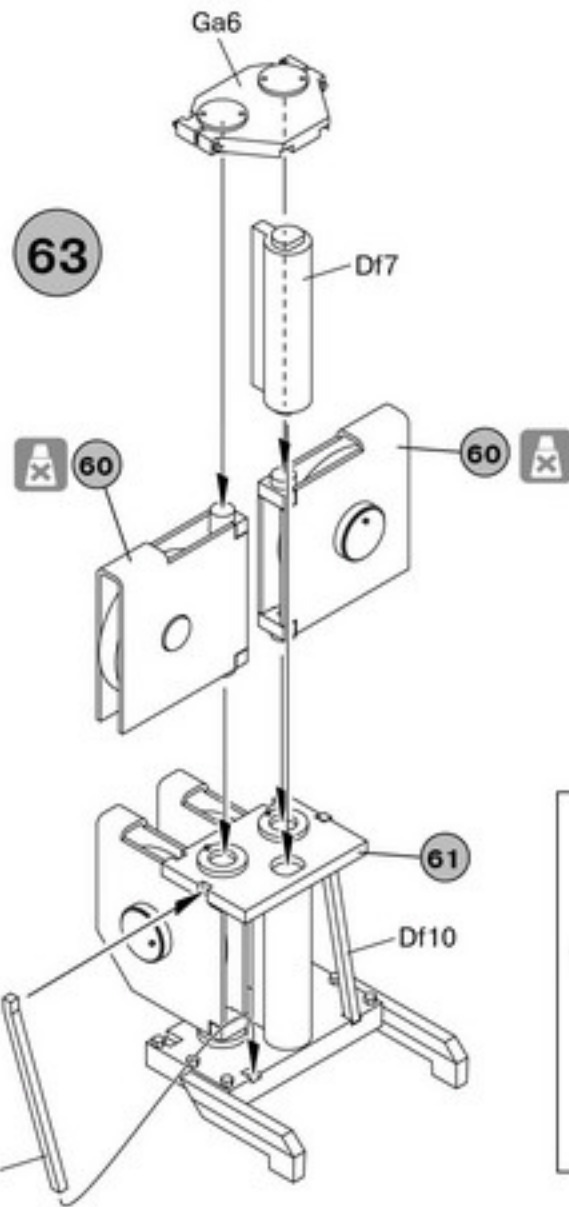
61 x2



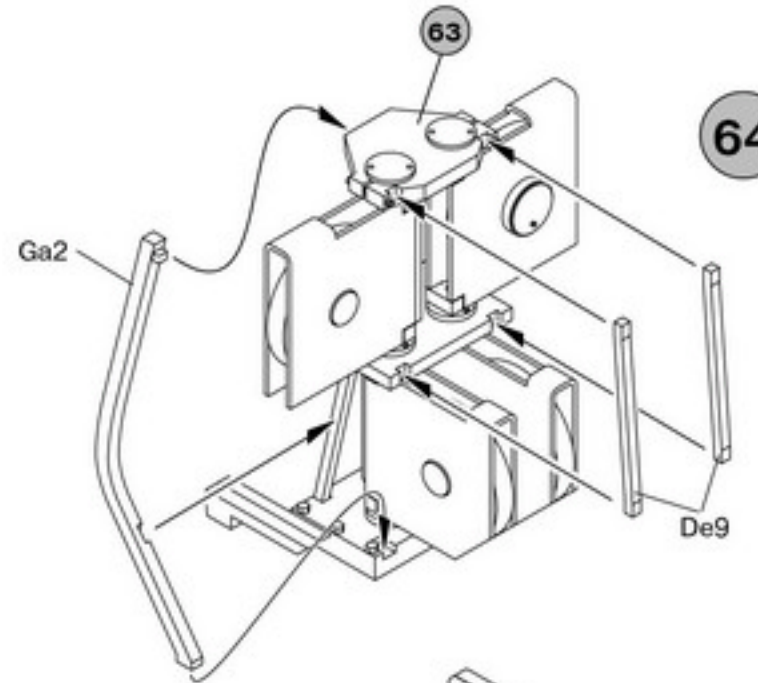
62



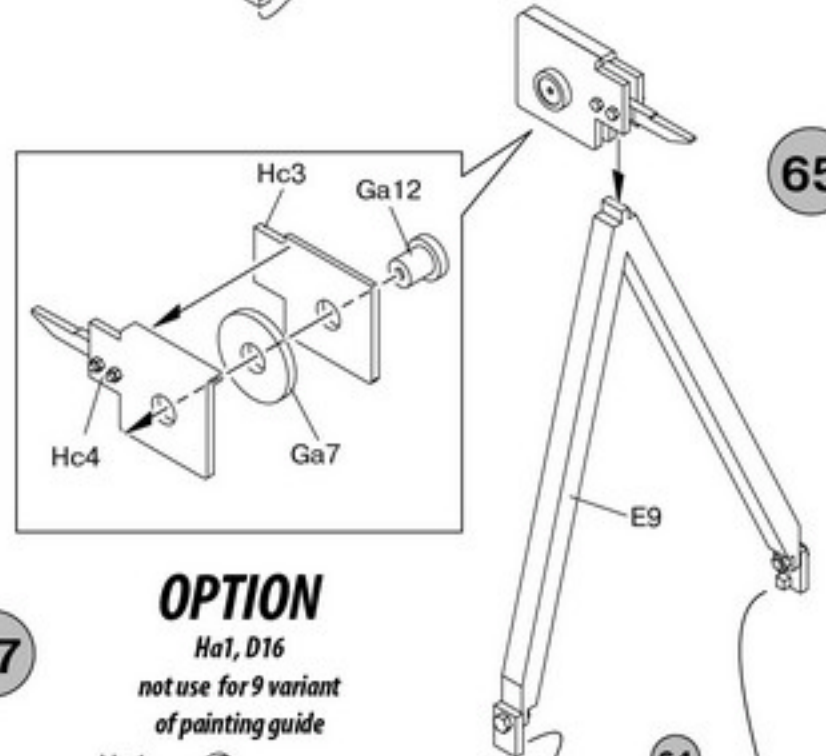
63



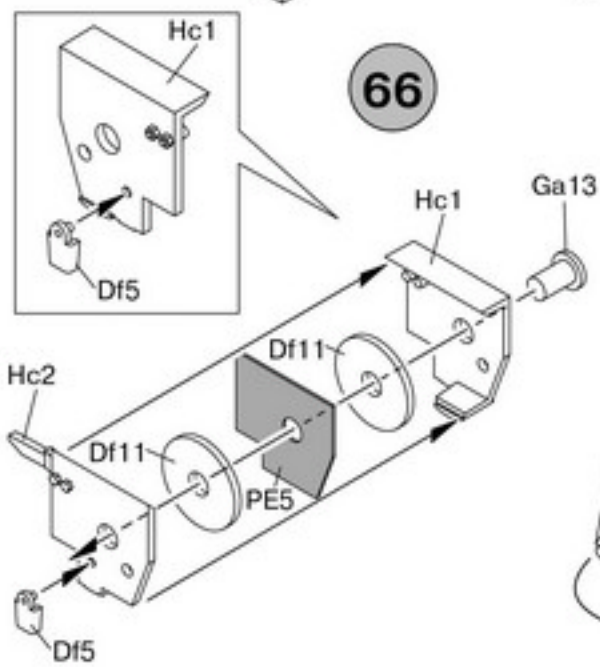
64



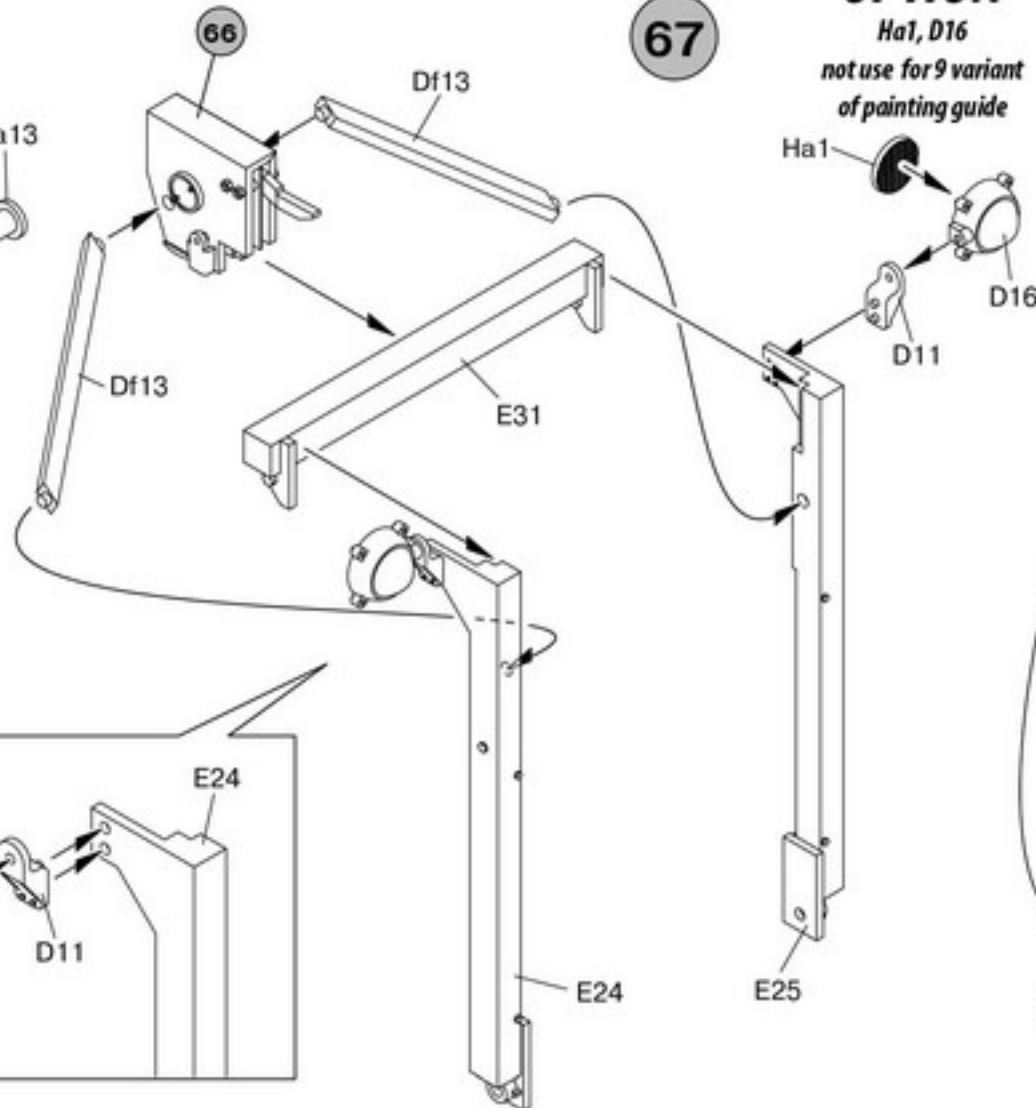
65



66



67

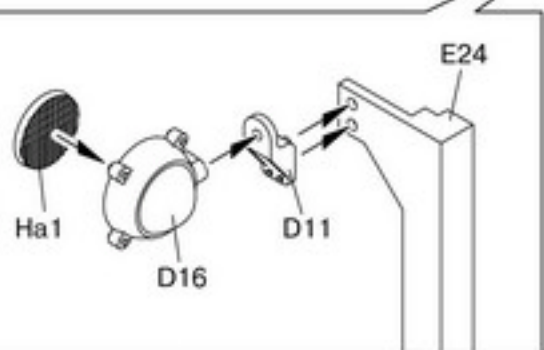


OPTION

Ha1, D16
not use for 9 variant
of painting guide

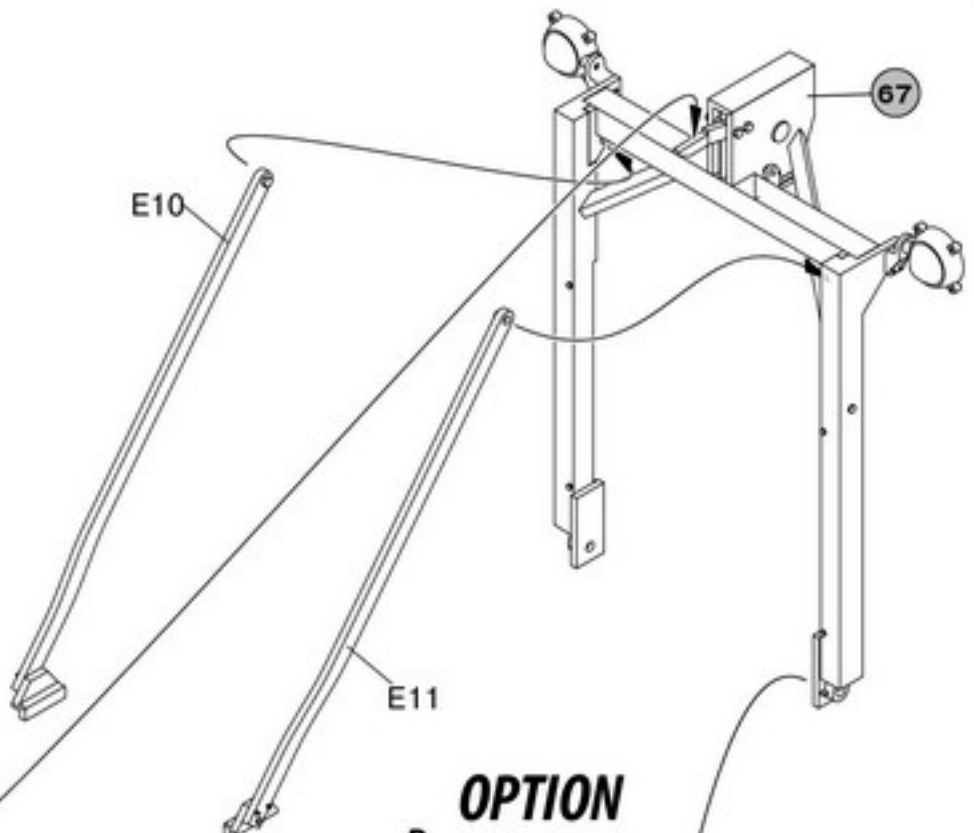
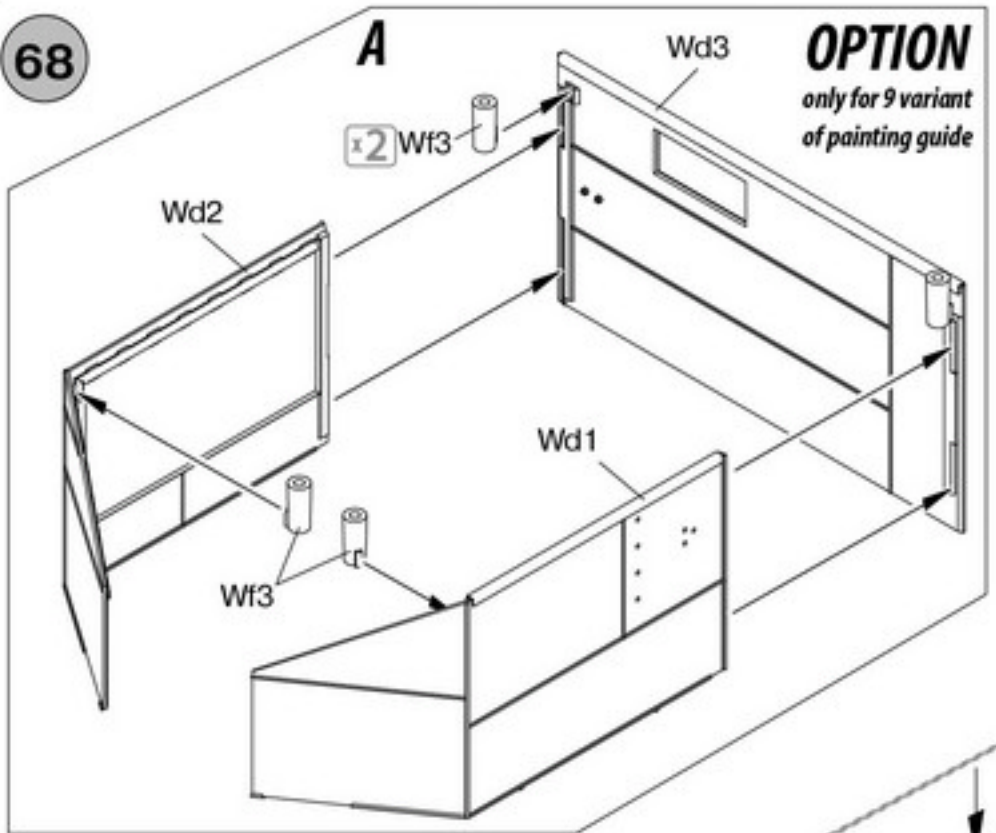
OPTION

Ha1, D16
not use for 9 variant
of painting guide



A

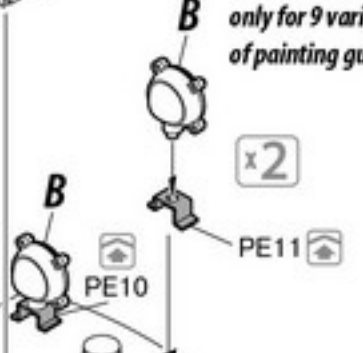
OPTION
only for 9 variant
of painting guide



OPTION
only for 9 variant
of painting guide

B

x2



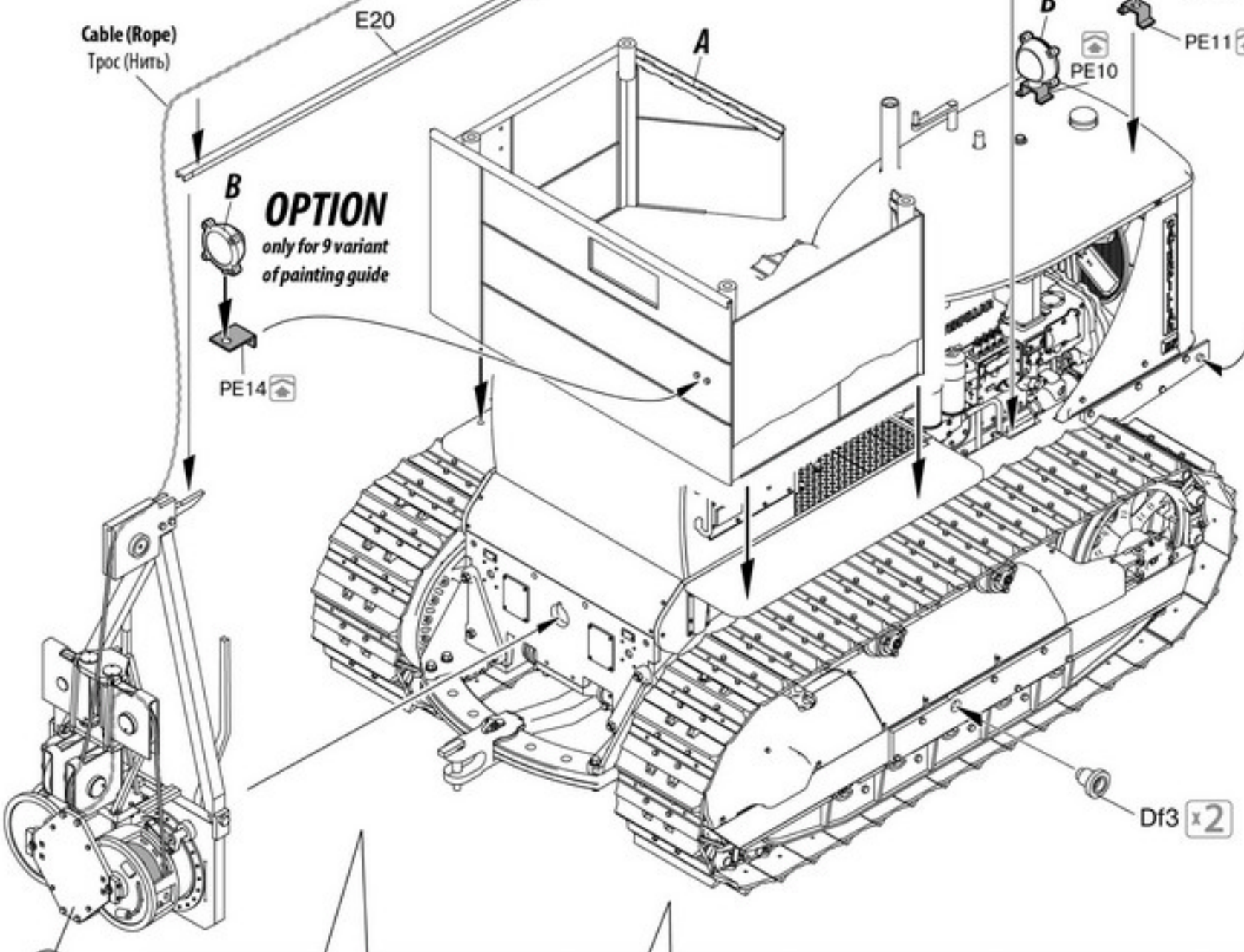
Cable (Rope)
Трос (Нить)

E20

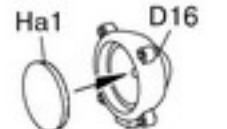
OPTION
only for 9 variant
of painting guide

B

PE14

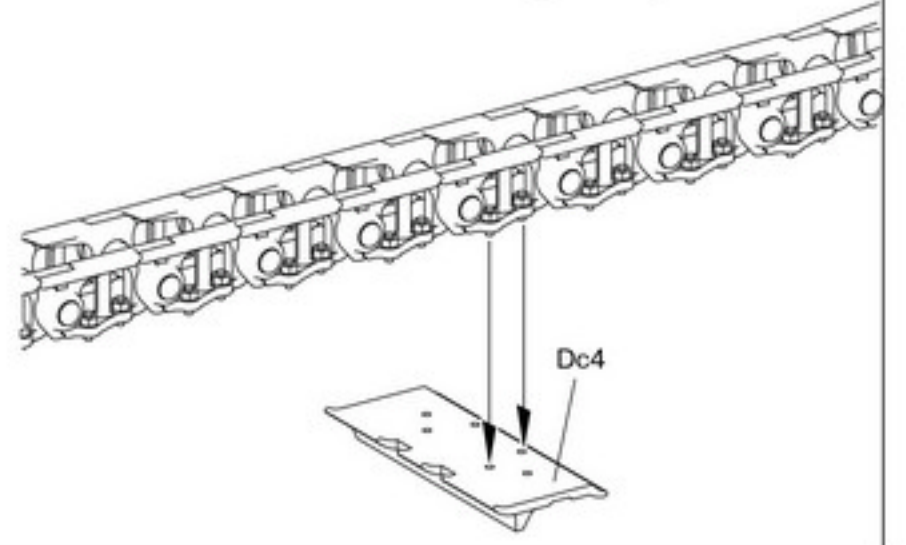
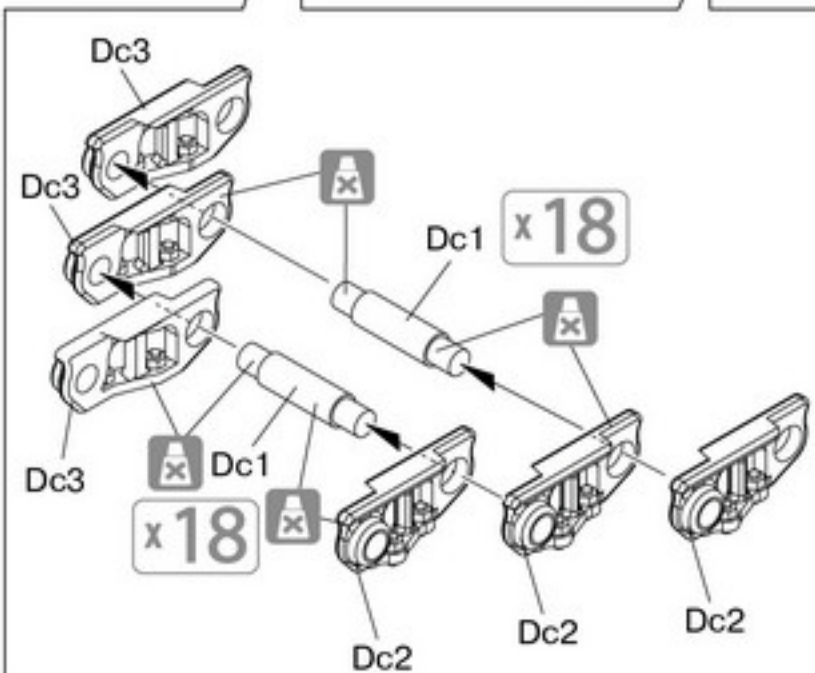


B x3

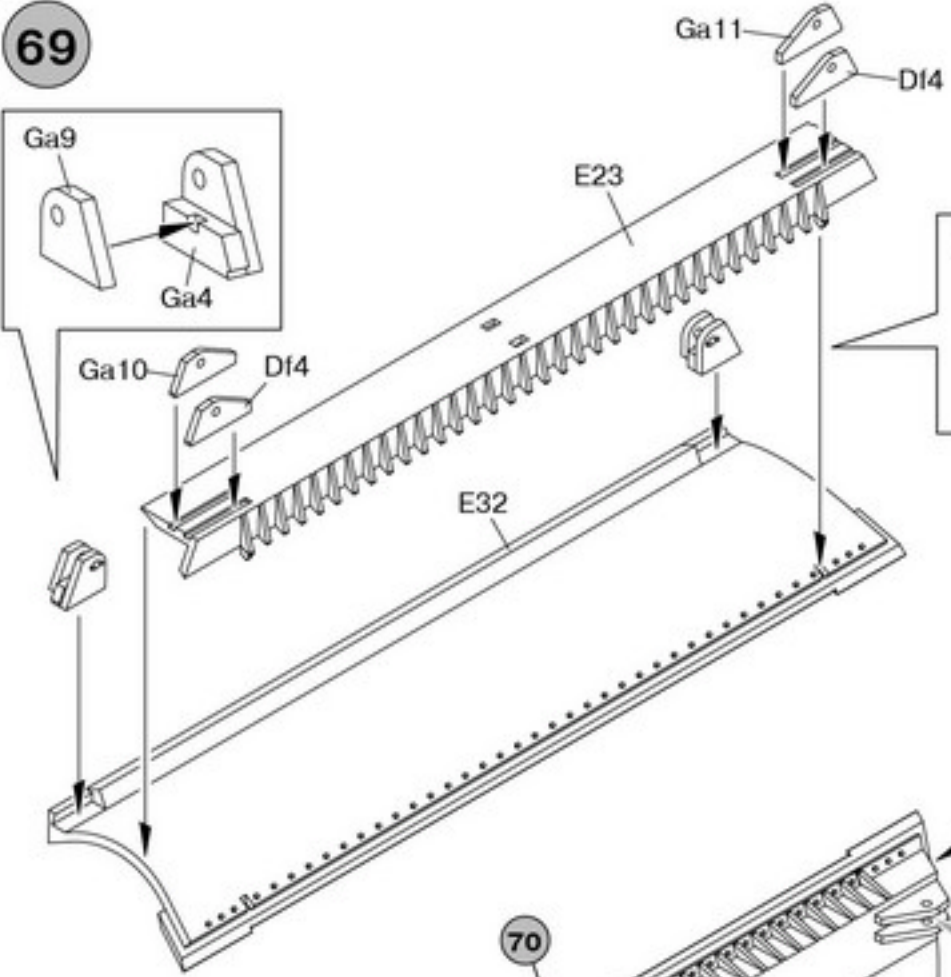


Df3 x2

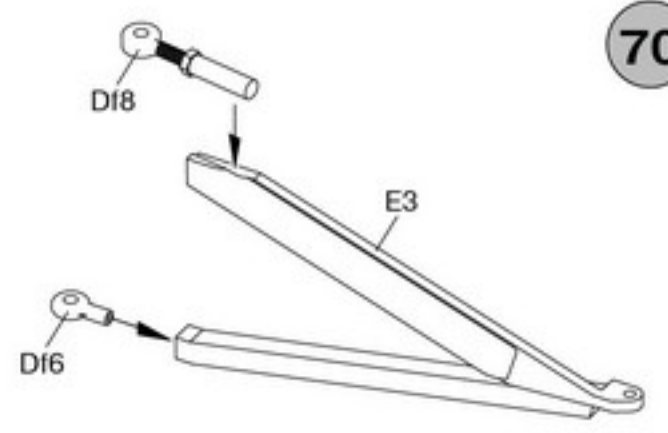
each track link contains 36 tracks **x36**



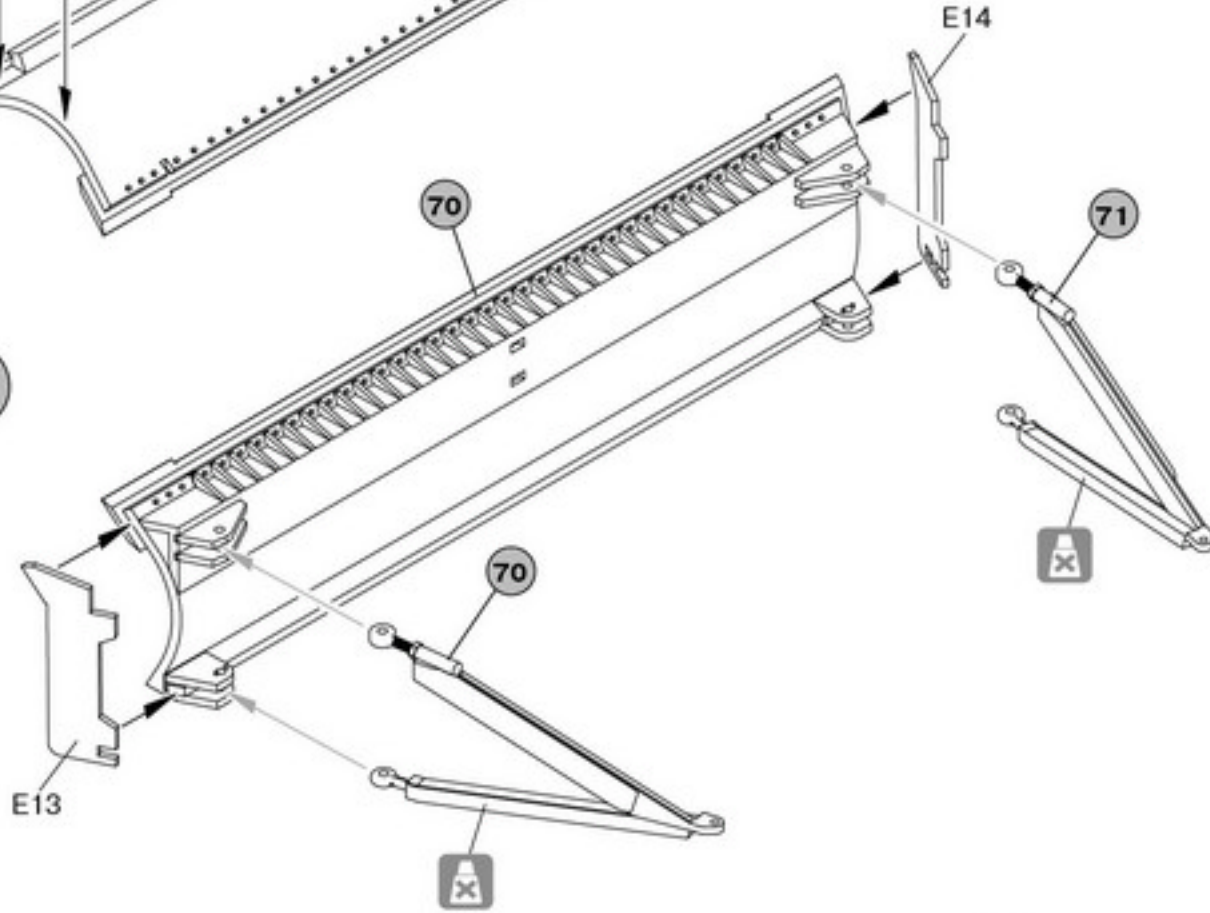
69



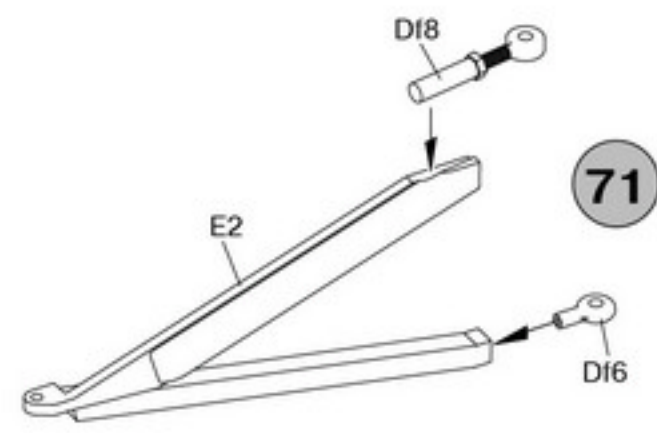
70



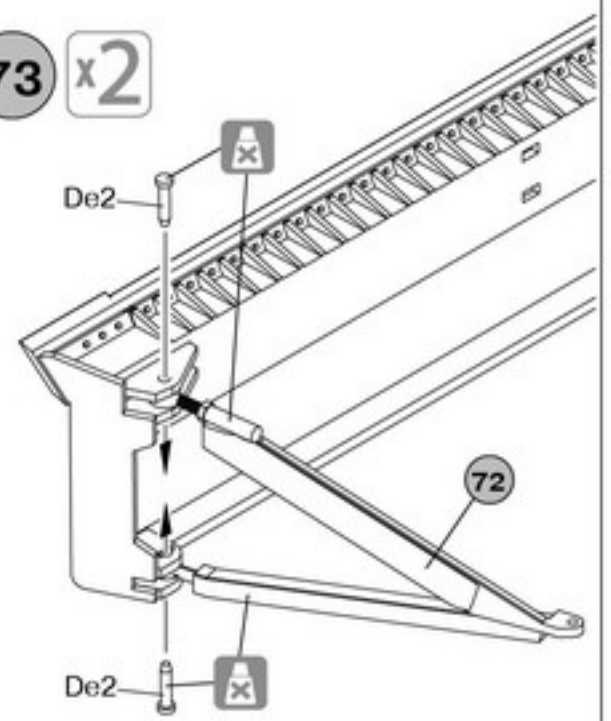
72



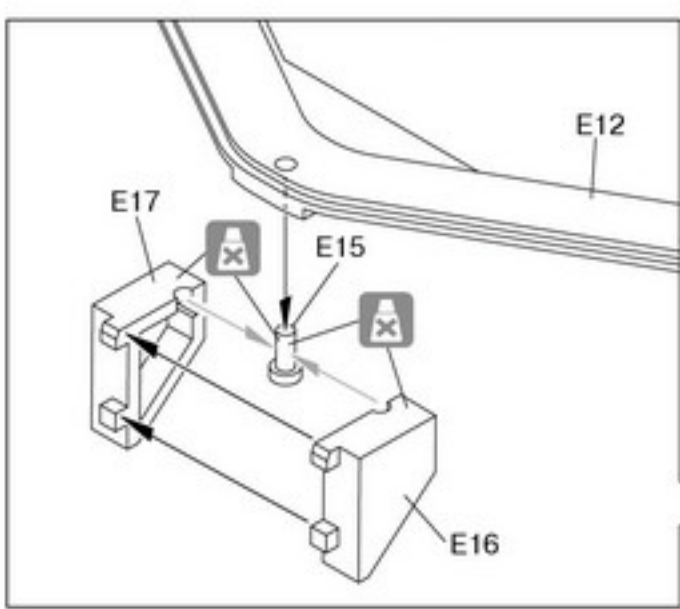
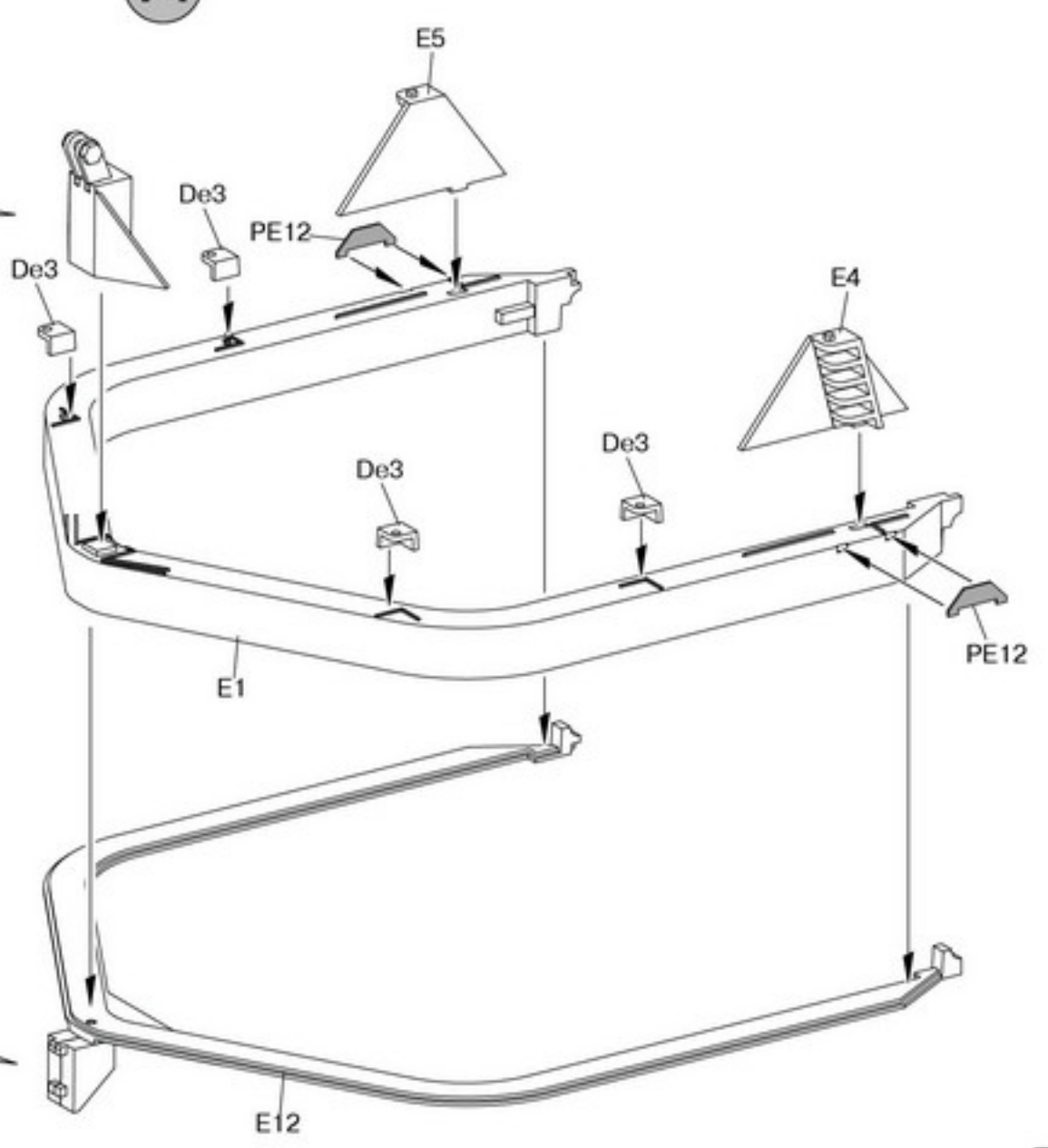
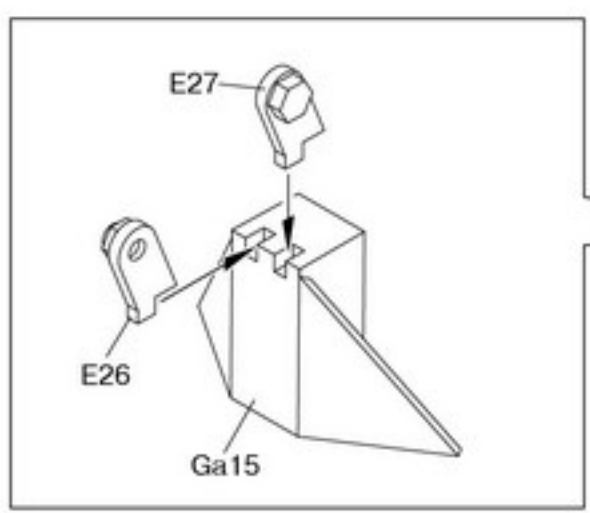
71



73 x2



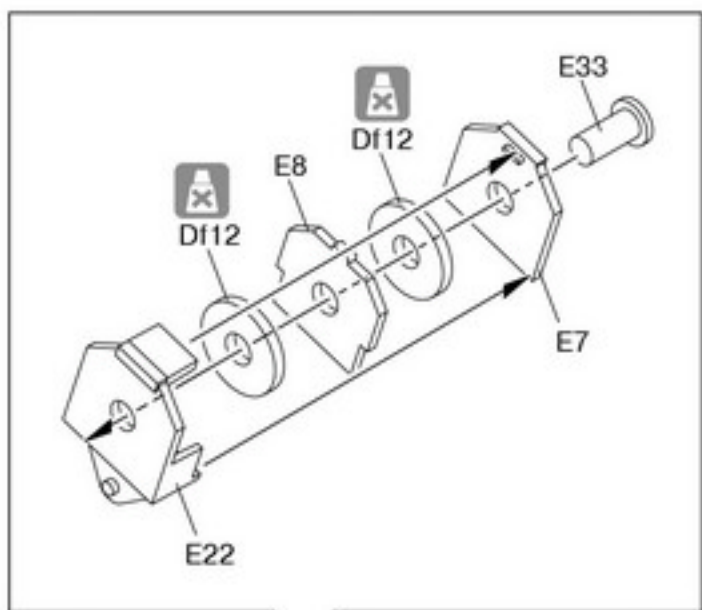
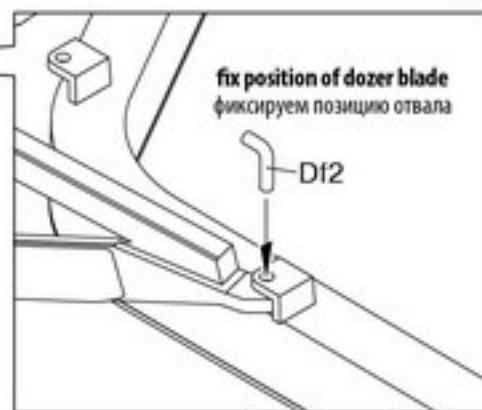
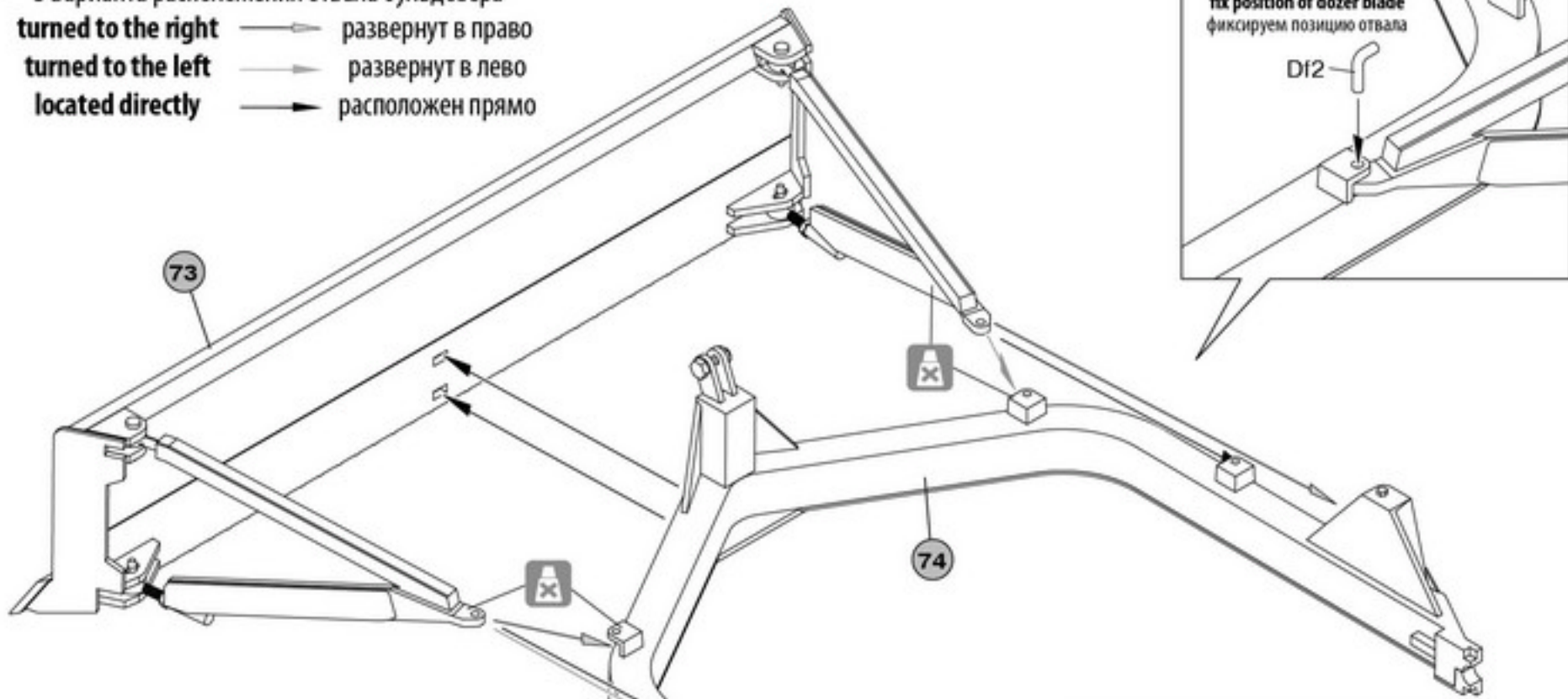
74



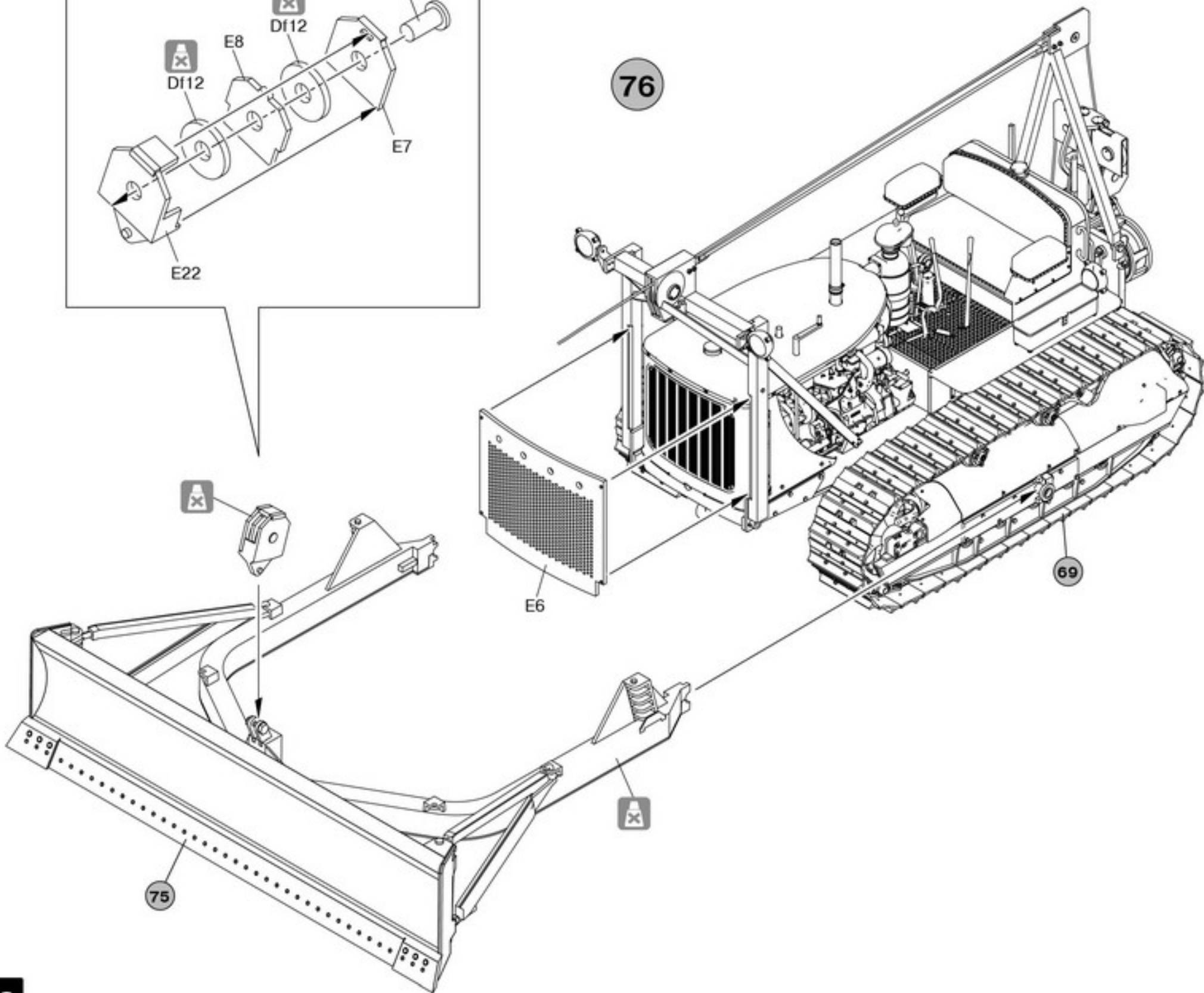
75

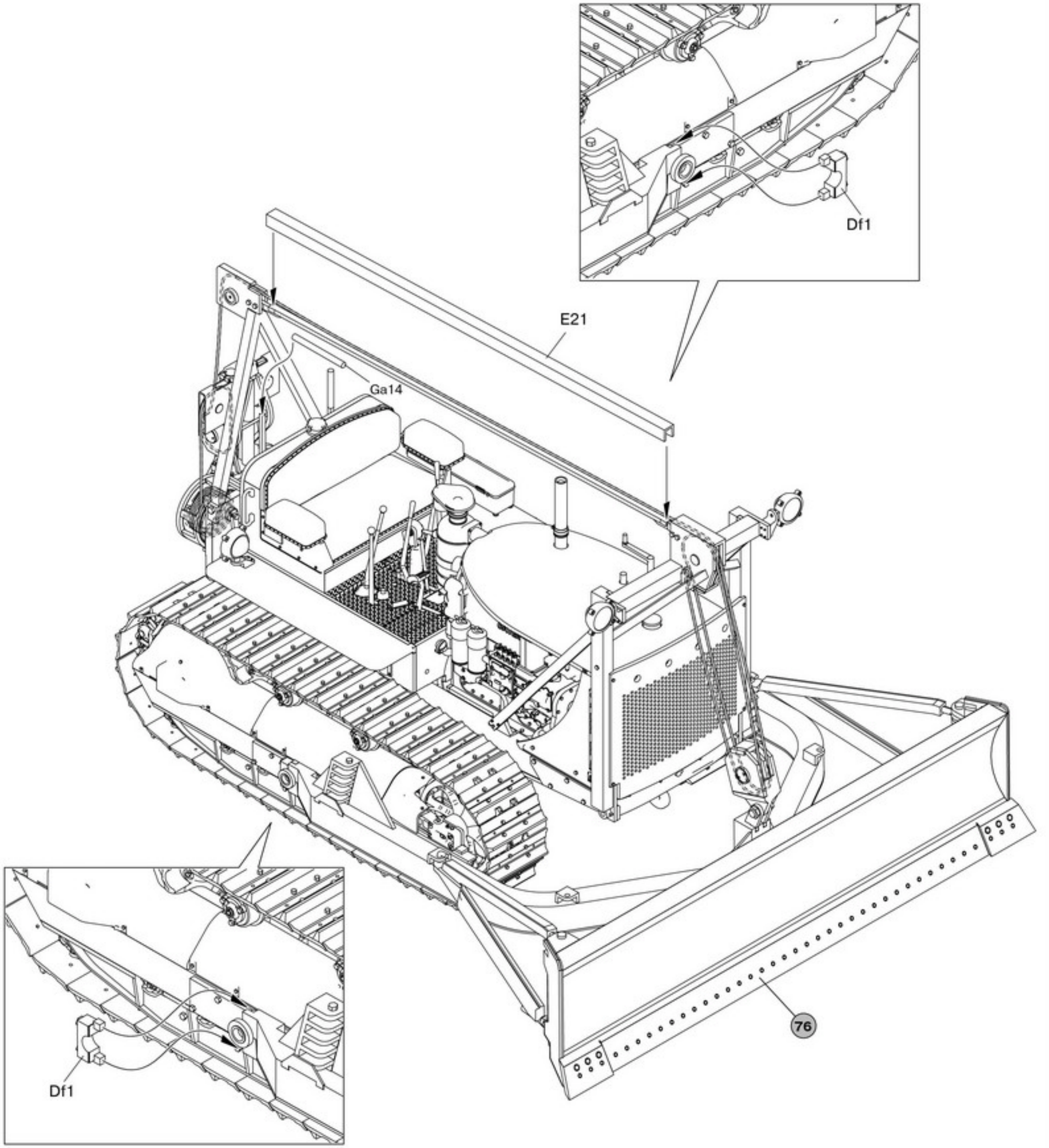
3 variants of dozer blade position

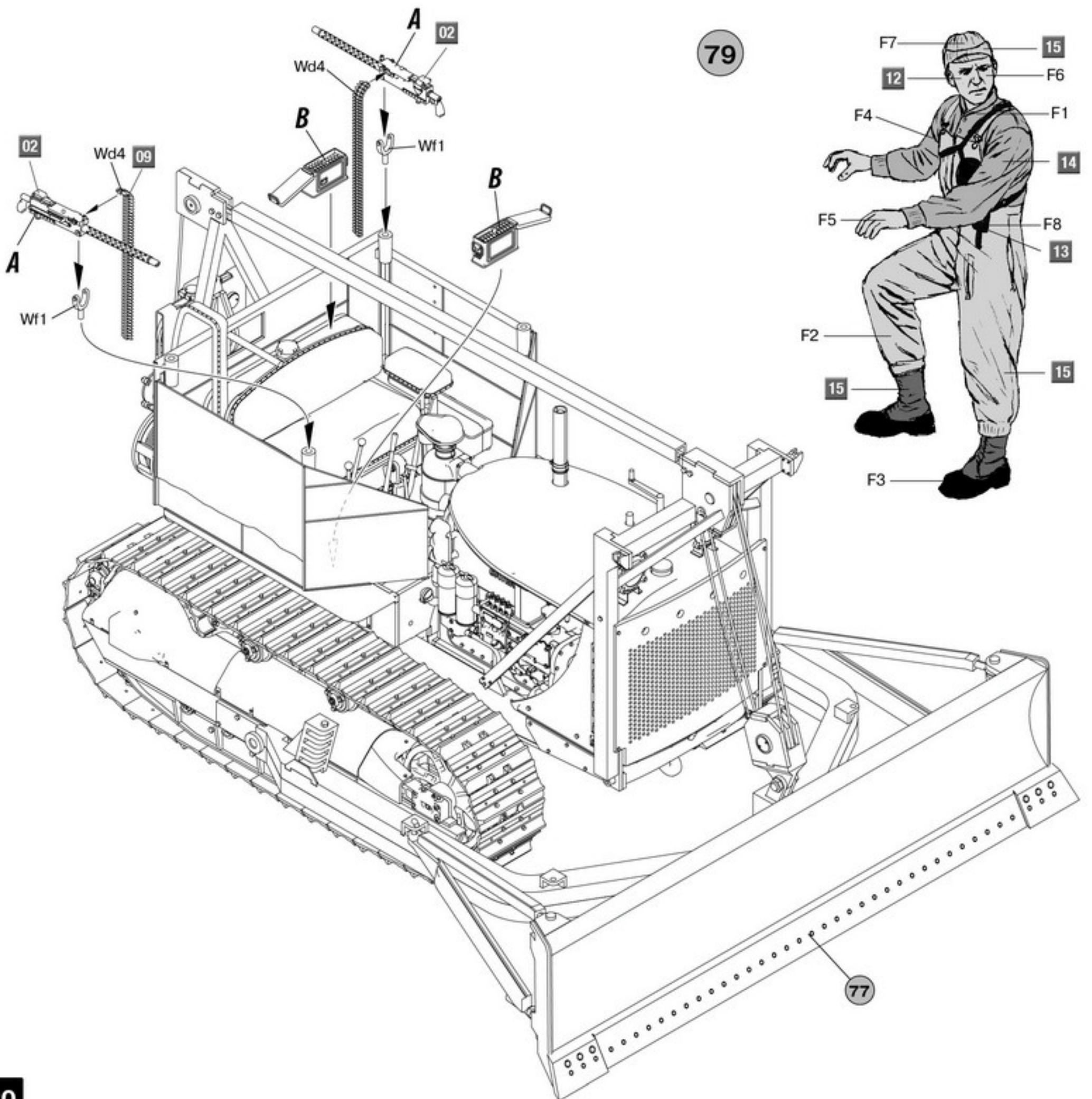
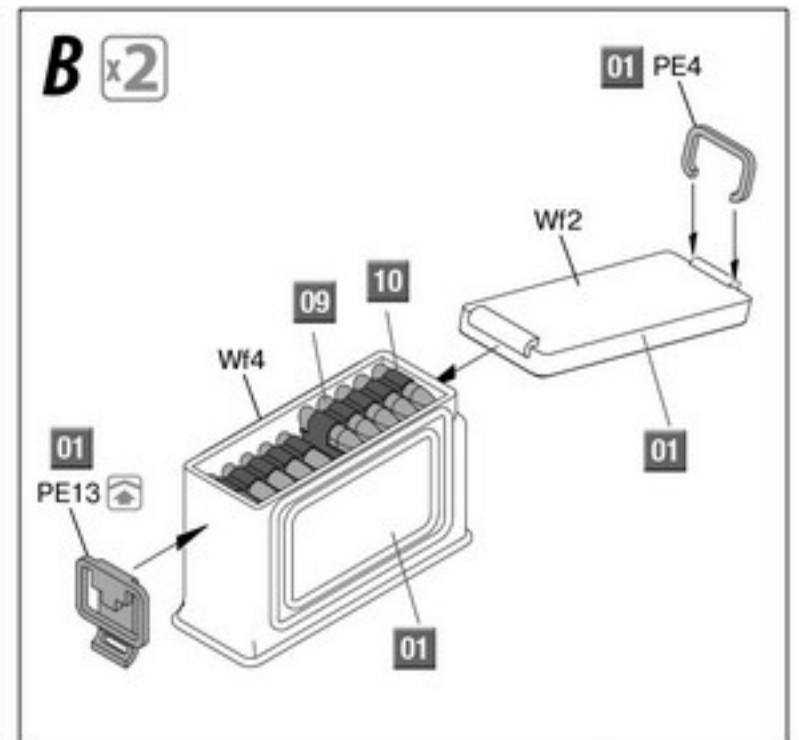
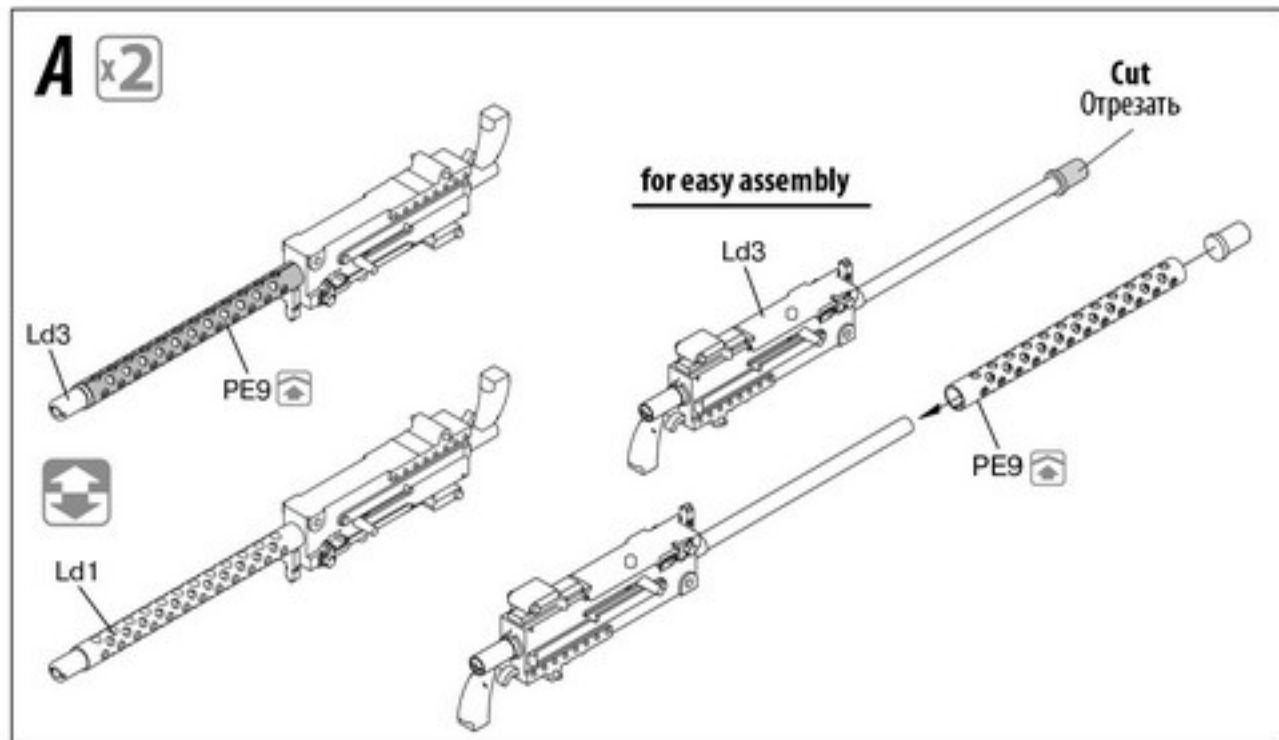
- 3 варианта расположения отвала бульдозера
- turned to the right — развернут в право
- turned to the left — развернут в лево
- located directly — расположен прямо



76

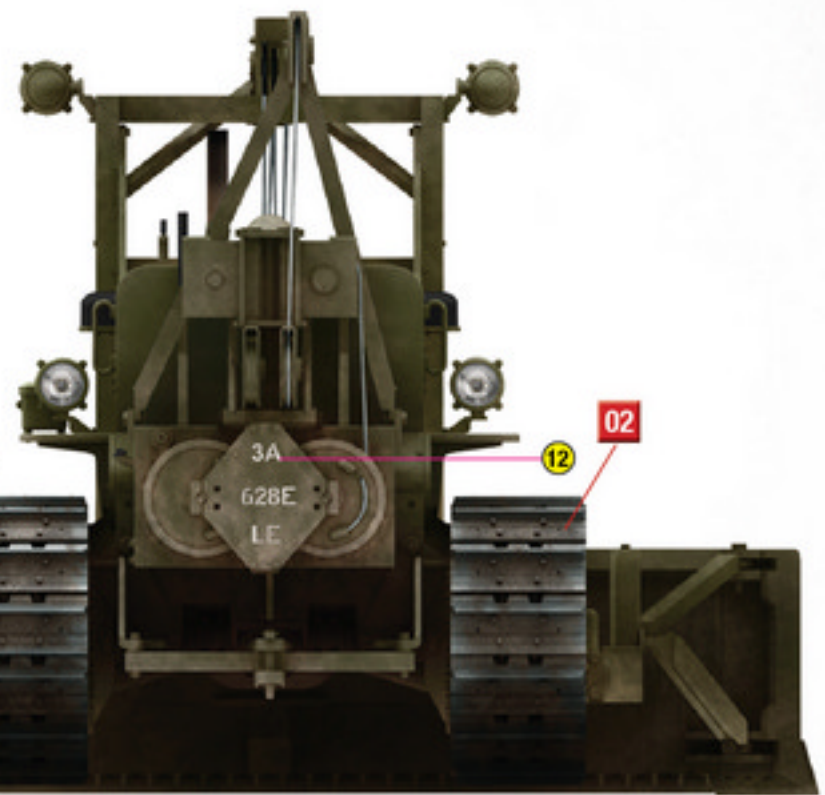
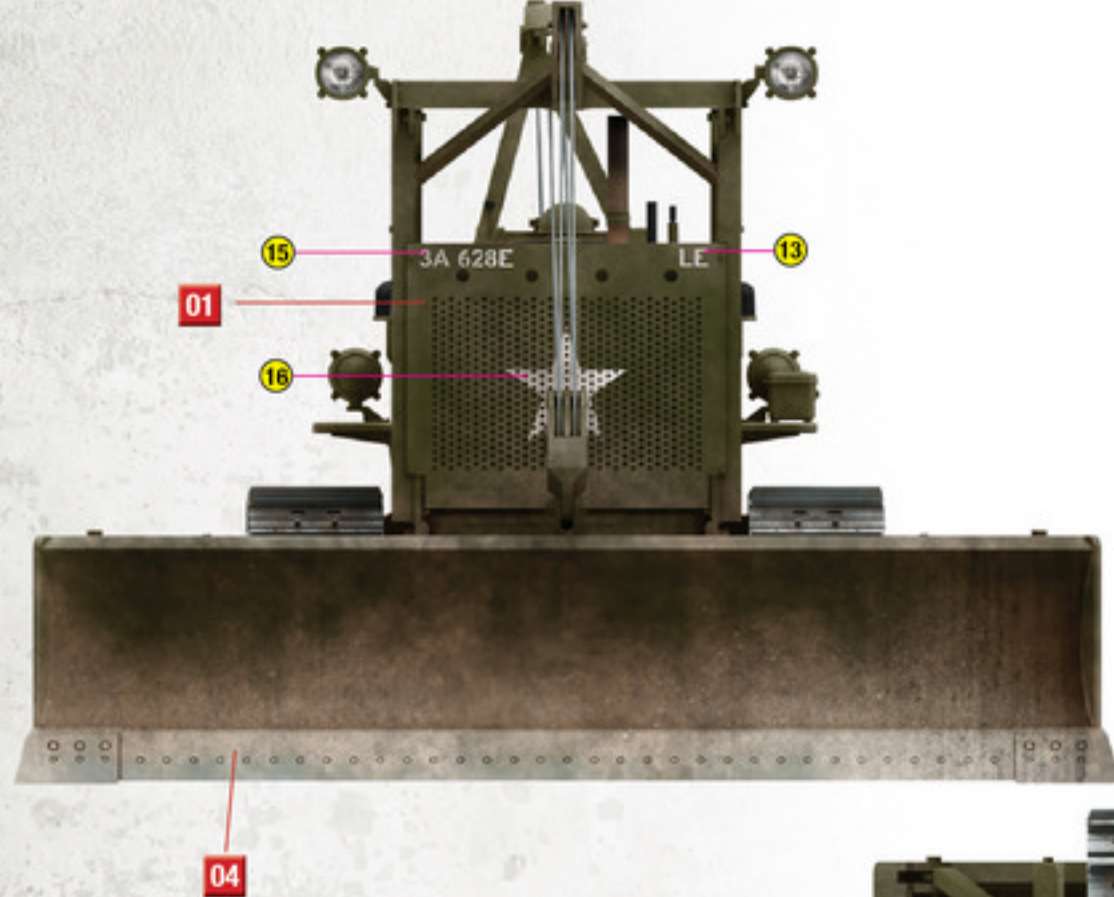
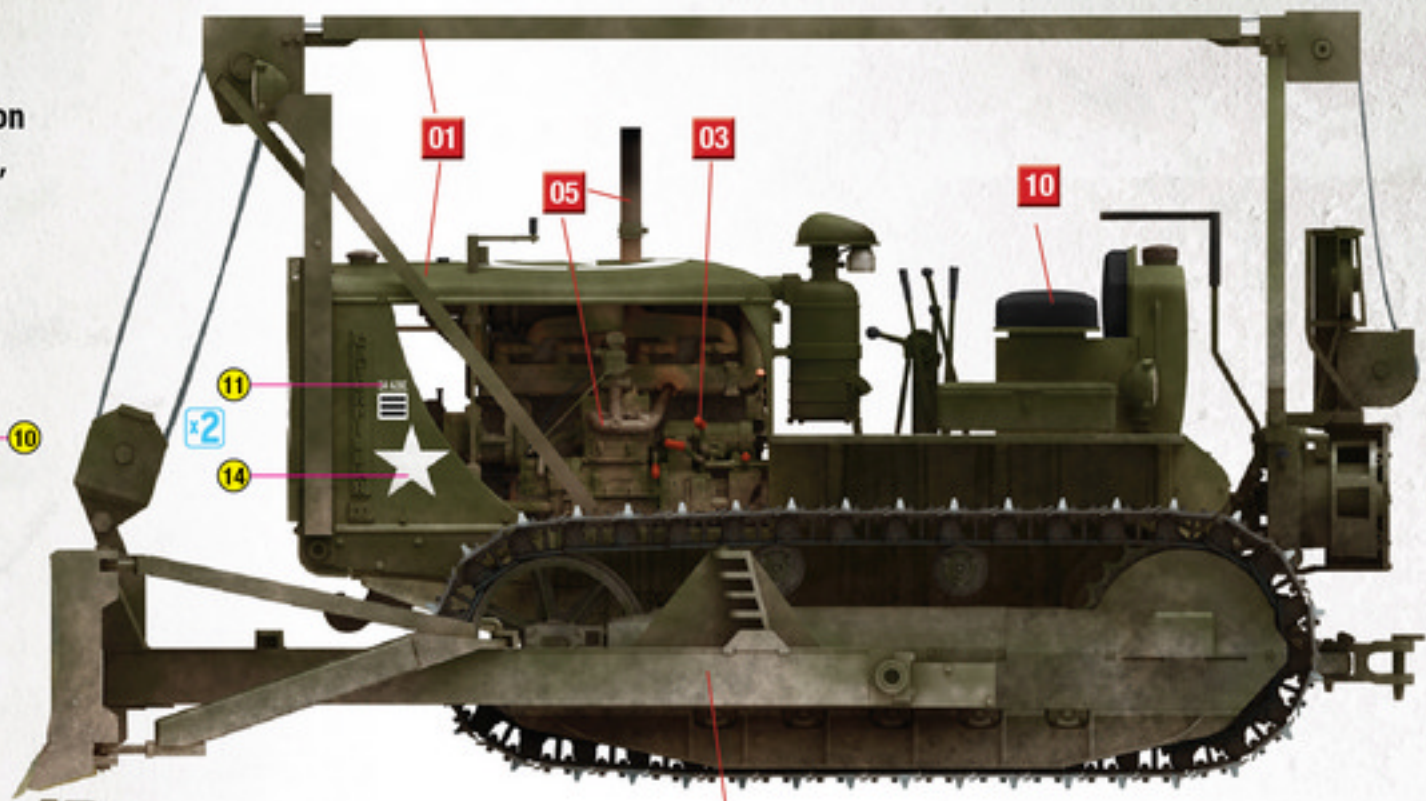




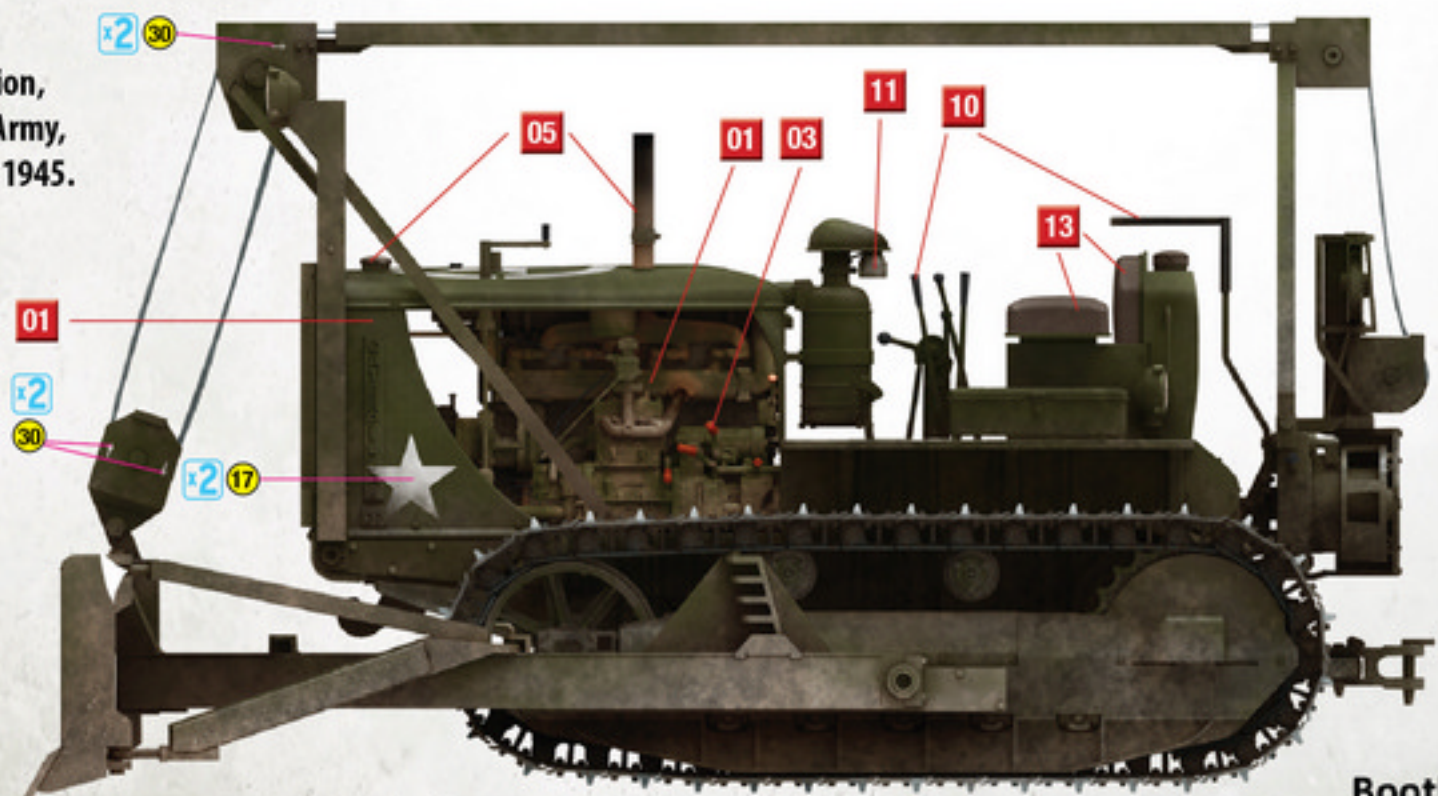
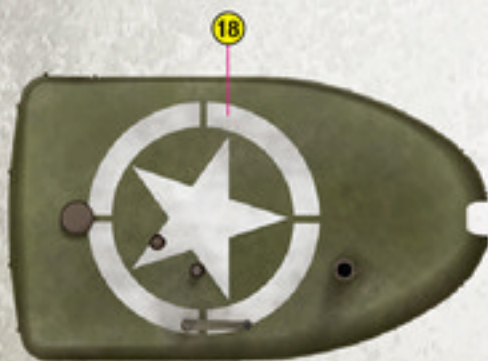


PAINTING GUIDE

5 299th Combat Engineer Battalion of the US Army, "Omaha Beach", Normandy, France. June, 1944.

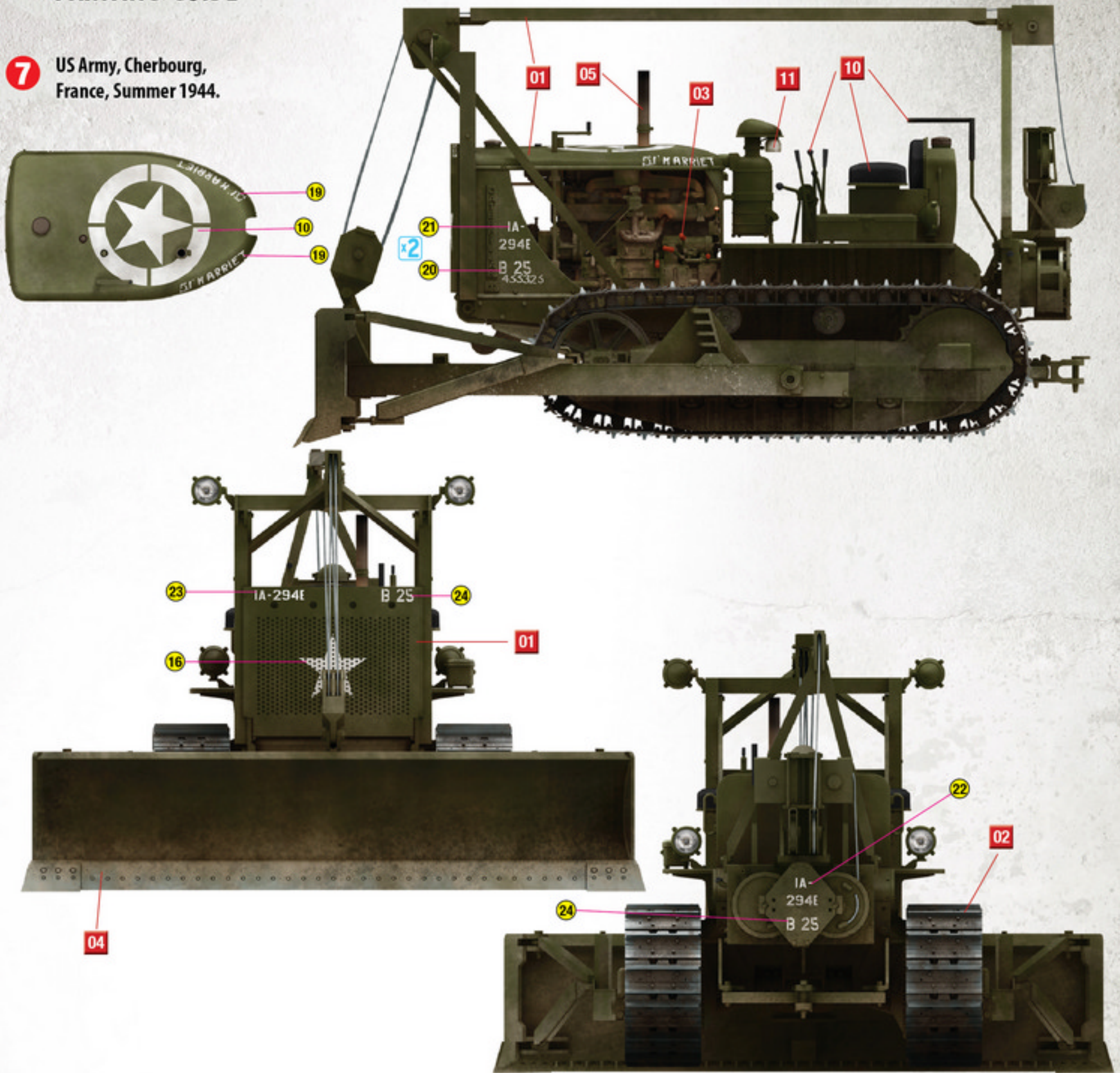


6 312th Combat Engineer Battalion, 87th Infantry Division, US 3rd Army, Saint-Vith, Belgium. February 1945.

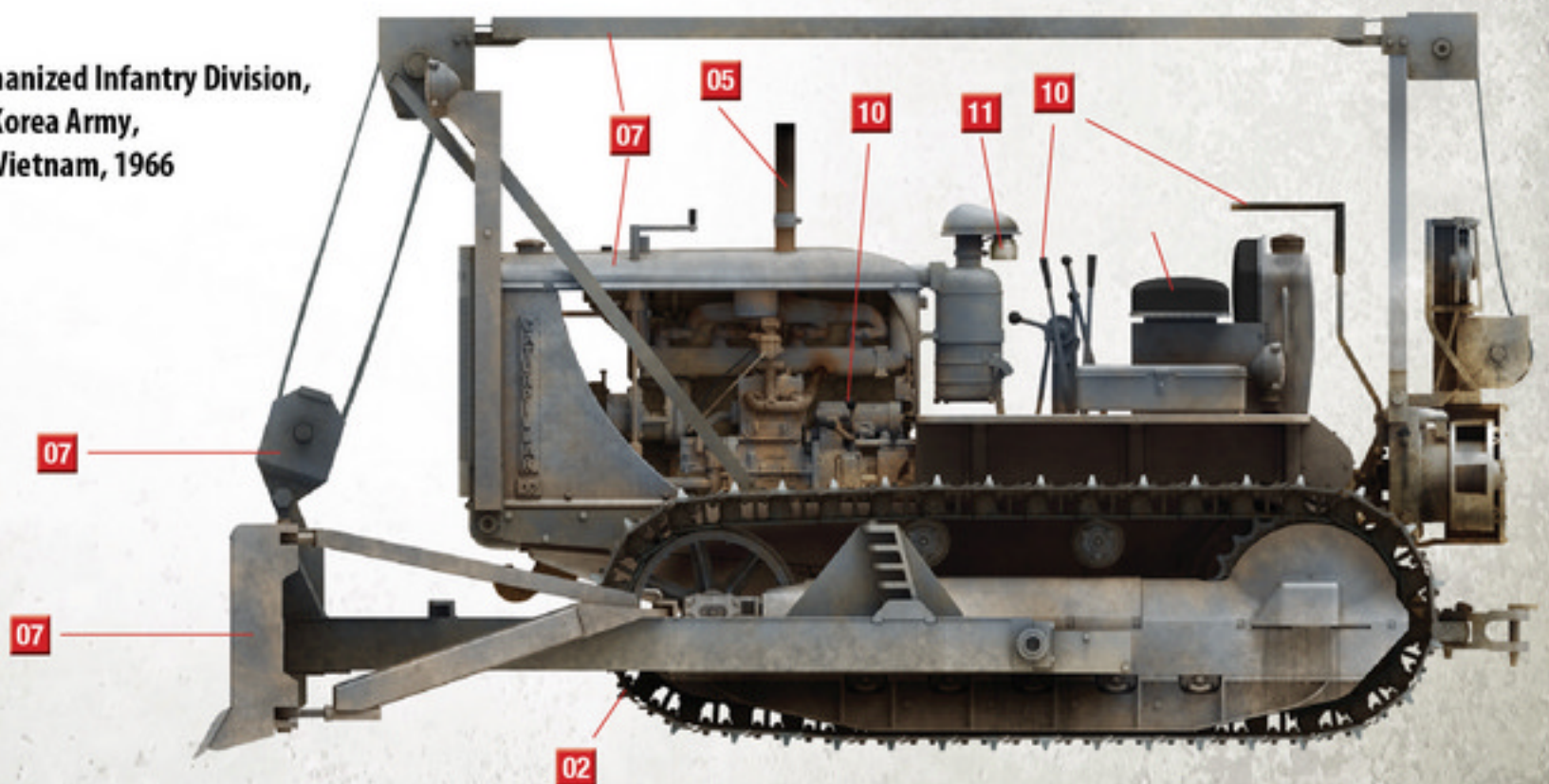


PAINTING GUIDE

7 US Army, Cherbourg, France, Summer 1944.

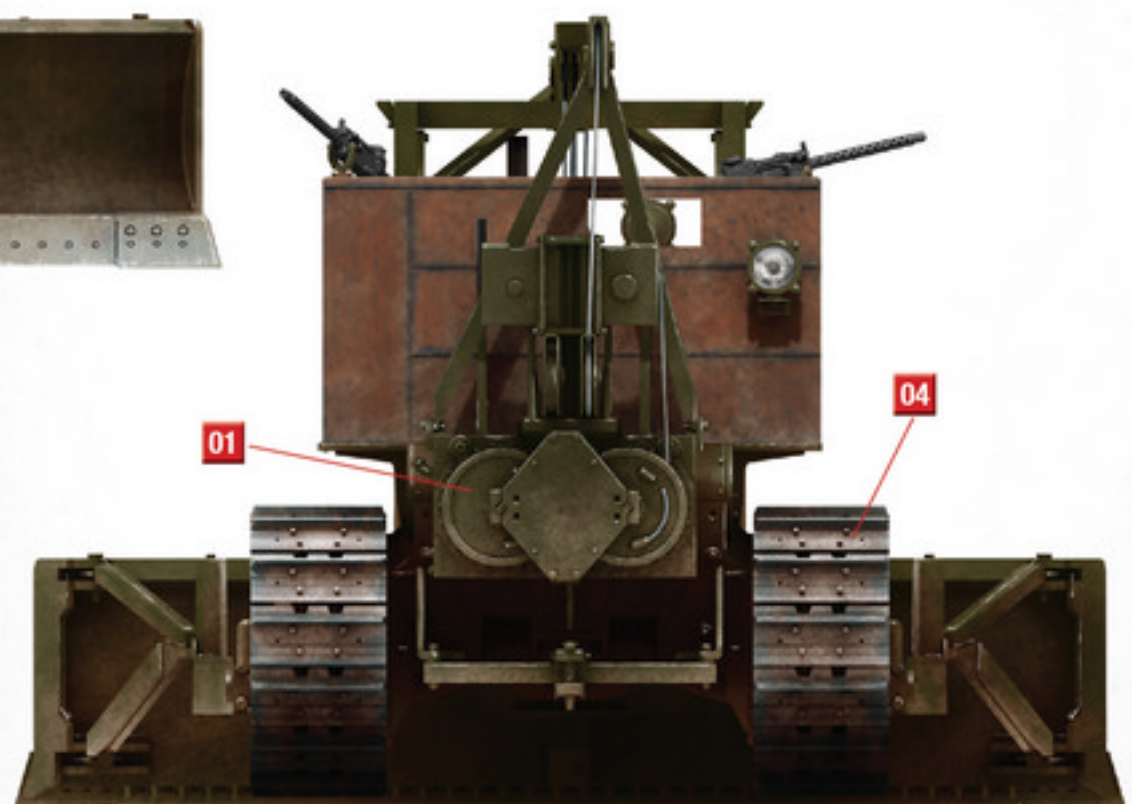
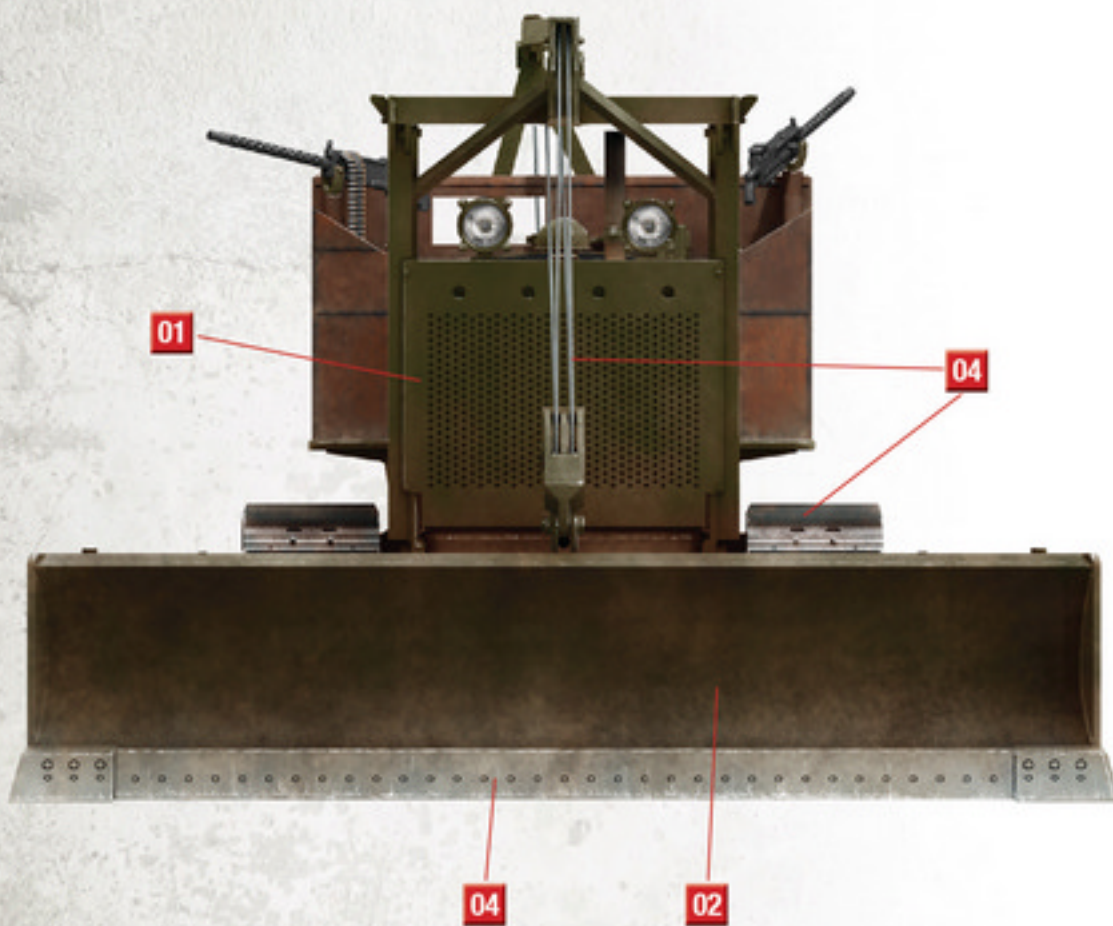
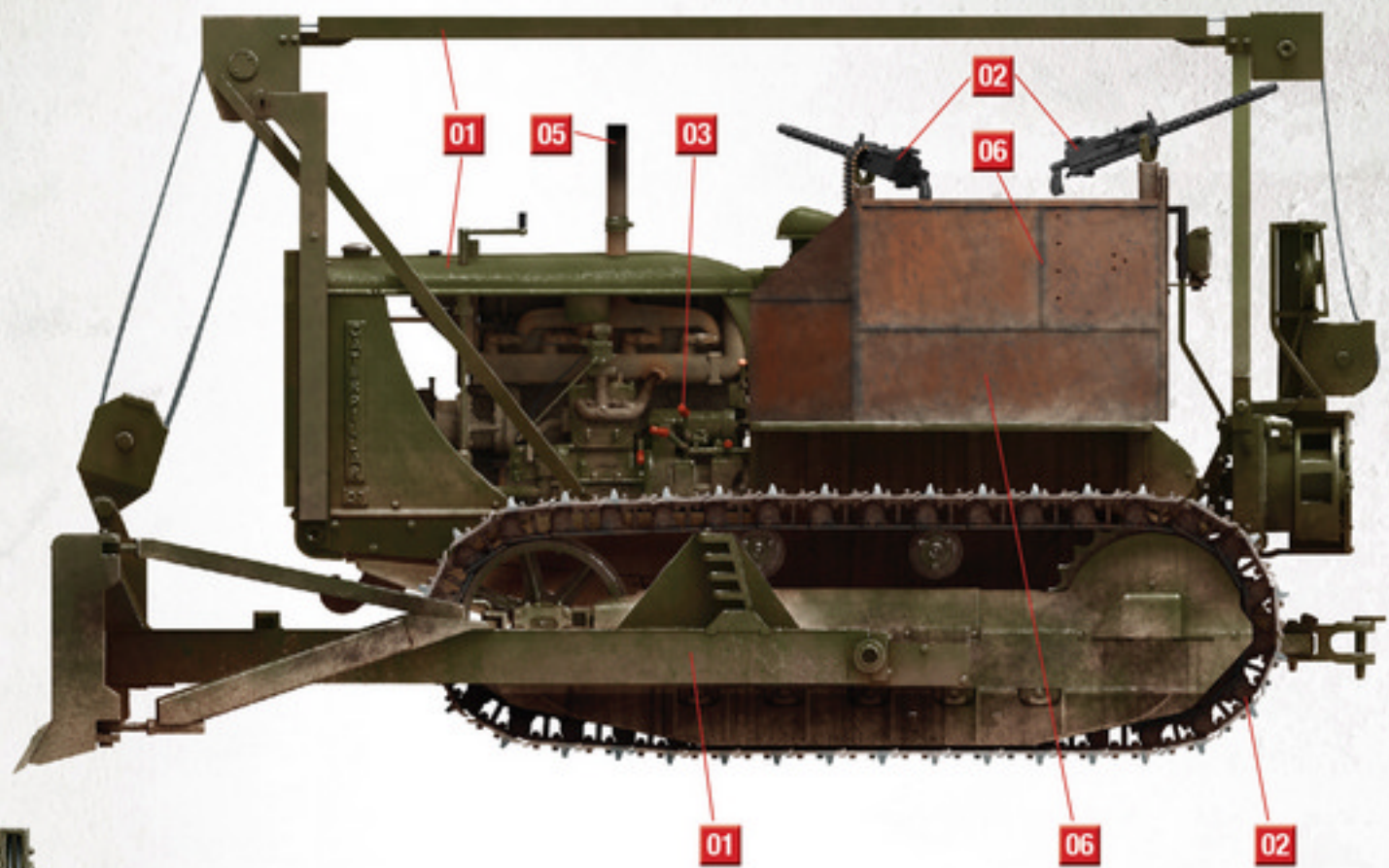


8 The Capital Mechanized Infantry Division, the Republic of Korea Army, Bong Son area, Vietnam, 1966



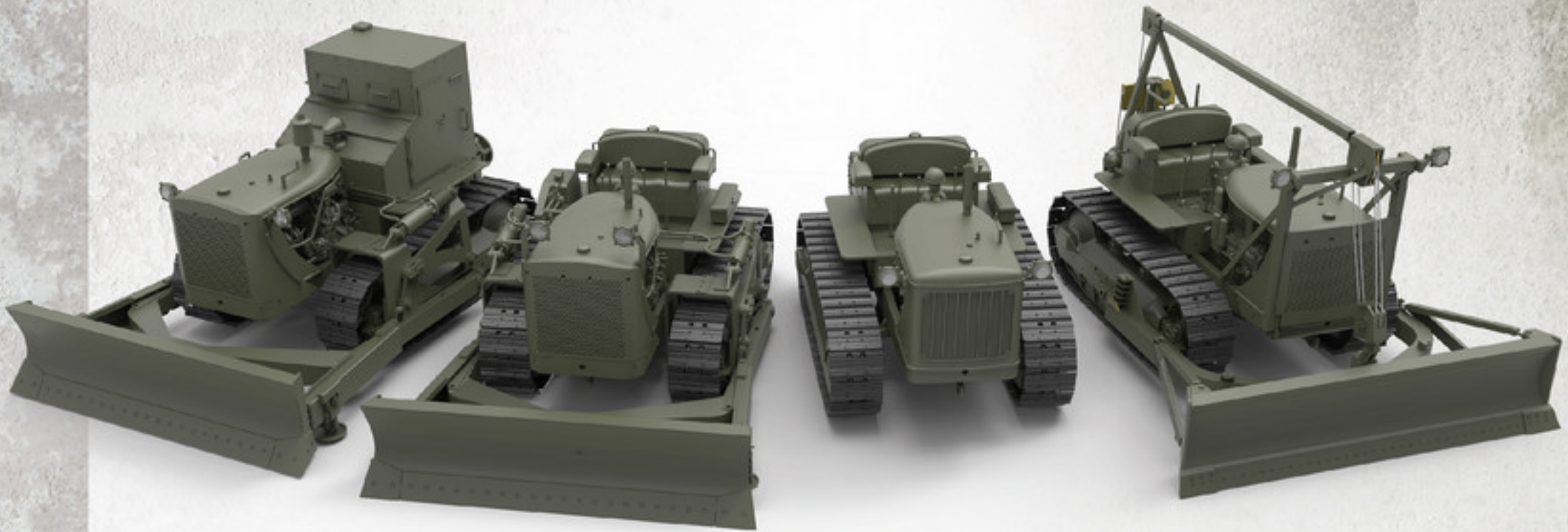
PAINTING GUIDE

9 1st Provisional Tank Group.
Jungle near Inkangahtawng,
Burma, May, 1944.



COLORS CHART

Nº	Color	Vallejo	Mr. Color	AK RC	Mission Models	AMMO MIG	Color name
01		70.850	304	RC-024	MMP-025	A.MIG-0926	US Olive Drab
02		70.863	078	RC-015	MMM-001	A.MIG-0045	Gun Metal
03		70.957	003	RC-006	MMP-003	A.MIG-0049	Red
04		70.864	028	AK-457	MMM-002	A.MIG-0191	Steel
05		70.984	131	AK-709	MMW-001	A.MIG-0042	Dark Rust
06		70.301	81	AK-707	MMW-005	A.MIG-0040	Rust
07		70.943	322	RC-055	MMP-061	A.MIG-0210	Grey Blue
08		70.953	004	RC-007	MMP-041	A.MIG-0048	Yellow
09		70.801	219	AK-460	MMM-009	A.MIG-0197	Brass
10		70.950	033	RC-001	MMP-047	A.MIG-0046	Black
11		70.951	062	RC-004	MMP-001	A.MIG-0050	White
12		70.815	051	RC-014	MMP-070	A.MIG-0116	Skin Tone
13		70.826	310	RC-035	MMP-033	A.MIG-0076	Brown
14		70.924	012	RC-024	MMP-020	A.MIG-0071	Khaki
15		70.917	528	RC-014	MMP-019	A.MIG-0057	Yellow Grey



U.S. ARMoured BULLDOZER

WW II MILITARY MINIATURES SERIES

UNASSEMBLED PLASTIC MODEL KIT
THIS IS NOT A TOY
KIT CONTAINS 717 PARTS
BOX CONTAINS MODELS OF TRACKS
2 PHOTOGRAPHIC PARTS
2 CLEAR PLASTIC PARTS
117 PLASTIC PARTS
AND DECALS ARE
INCLUDED

35188
1:35

U.S. ARMY BULLDOZER

WW II MILITARY MINIATURES SERIES

UNASSEMBLED PLASTIC MODEL KIT
THIS IS NOT A TOY
KIT CONTAINS 715 PARTS
BOX CONTAINS MODELS OF TRACKS
PHOTOGRAPHIC PARTS
AND DECALS ARE
INCLUDED

35195
1:35

SPECIAL EDITION

SCALE 1:35

WW II MILITARY MINIATURES SERIES

U.S. TRACTOR w/TOWING WINCH & CREWMEN

35225

UNASSEMBLED PLASTIC MODEL KIT
THIS IS NOT A TOY
BOX CONTAINS
MODELS OF TRACKS
AND PHOTOGRAPHIC
KIT CONTAINS 611 PARTS
2 PHOTOGRAPHIC PARTS
2 CLEAR PLASTIC PARTS
611 PLASTIC PARTS
AND DECALS ARE
INCLUDED

U.S. BULLDOZER

UNASSEMBLED PLASTIC MODEL KIT
THIS IS NOT A TOY
KIT CONTAINS MODELS OF TRACKS
AND PHOTOGRAPHIC PARTS
PHOTOGRAPHIC PARTS
AND DECALS ARE
INCLUDED

38022
1:35