



Tornado IDS

ラファール C

“狂风”IDS对地攻击机

PLEASE READ BEFORE OPERATION!

- * Tools recommended as below: (Not included)
Adhesives; Paints; Side Cutters; Sharp Edged Pliers; Modeling Knife; Modeling File; Nippers; Drill; Scissors; Sand Paper; Soft Cloth; Cyanoacrylate Glue.
- * Make sure to read this instruction listed below before assembling.
- * The kit contains the small parts, they can be dangerous if swallowed by mistake, so keep them away from reach of children.
- * Cut the all parts off carefully and remove the waste parts into the garbage can.
- * More caution and care should be needed for cutting and handling the photo etched parts.
- * Make attention that some parts should be attached the decal when assembled.
- * During assembling, please tear up and throw away the plastic bags, or may cause the dangerous if wearing over head by children's mistake.
- * When using the adhesives and paints, please do not use them in the closed room or near the fire, also must be very careful to protect your eyes, face and clothes.
- * Adult supervised when assembled by children under 14 years old.

装配前请仔细阅读:

- * 推荐使用的模型工具(请自备):
专用模型胶水, 专用模型油漆, 水口剪刀, 长咀钳, 刀片, 锉刀, 镊子钳, 钻, 剪刀, 软布, 砂纸, 瞬间快干胶等。
- * 用水口剪刀或刀片小心切下所有塑胶零件和蚀刻片零件, 不要遗失小零件。
- * 切取蚀刻片时应特别注意防止划伤手指。
- * 用模型锉刀小心锉平所有零件表面的注射浇口。
- * 用适量的强力快干胶水粘合蚀刻片零件和金属轴, 切忌过量, 否则可能导致可动零件被粘住。
- * 注意某些零件表面需在装配时同步贴水上贴纸。
- * 制作时应远离幼儿并将包装袋及时收妥, 谨防小孩玩耍而引起意外。



Using CA super glue
使用强力胶



weight
配重



make hole
钻孔



cut / remove
切除



option
选择



no cement
不涂胶水



decal
贴纸



bend
弯曲



repair
填补

The method to apply the decals

1. Cut off the decal from the decal paper and put it into the warm water 40 C for 10 seconds.
2. Take the decal from the water and put it on a piece of clean cloth.
3. Remove the decal slowly from the paper to the targeted location by a wet finger.
4. Use a piece of dry and soft cloth to press it gently on the decal until it getting dry and no bubble existing.

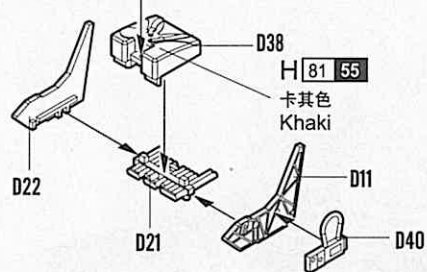
水贴纸的使用方法:

- 一. 把相关的印花从水贴上剪下, 放入40C左右的温水中浸10秒。
- 二. 然后将印花放在干净的布上。
- 三. 拿上印花纸板, 手指蘸水将印花移到适当的位置。
- 四. 用软干布轻压印花直至水干, 气泡消失。

1 STEP

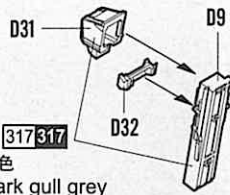
H 3 3

红色 Red

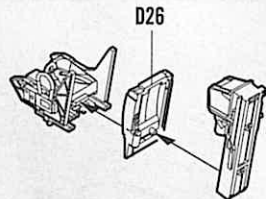


H 81 55

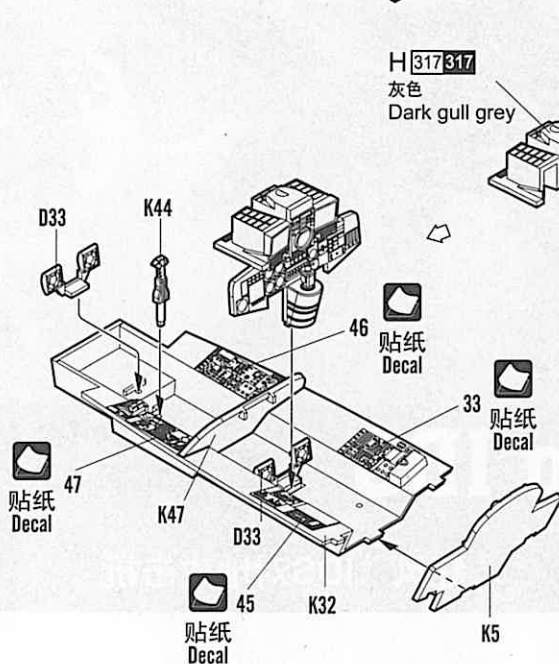
卡其色 Khaki



H 317 317
灰色 Dark gull grey



<<座椅>> Seat
制做2组 Make two



H 317 317
灰色 Dark gull grey

贴纸 Decal
31+43

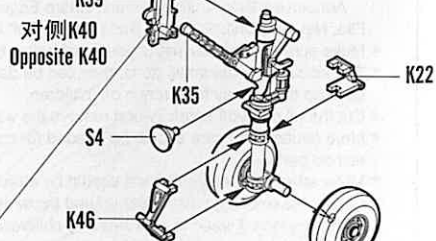
H 12 33
消光黑 Flat black

贴纸 Decal
41+44

H 317 317
灰色 Dark gull grey

<<座椅>> Seat

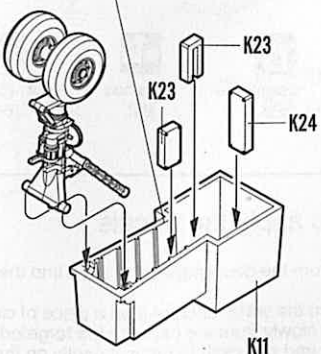
H 77 137
胎黑色 Tire Black



<<前起落架>> Nose undercarriage

制做2组 Make two

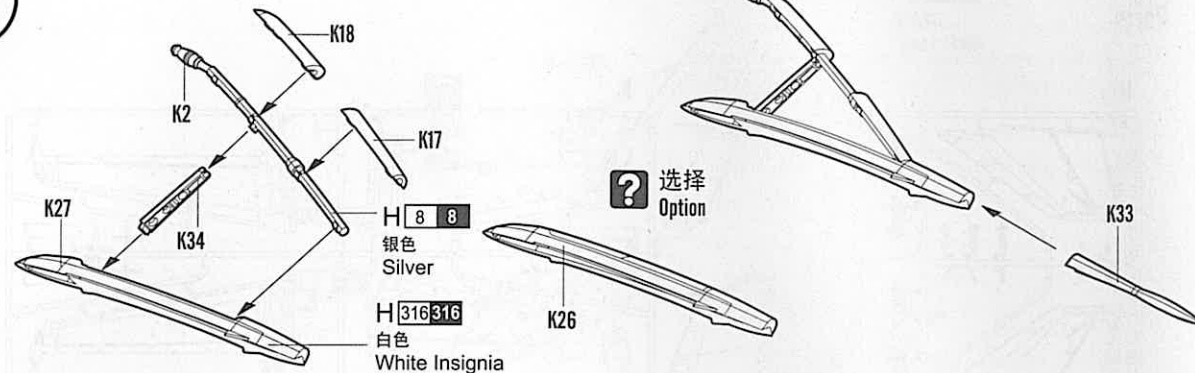
H 316 316
白色 White Insignia



H 317 317
灰色 Dark gull grey

<<座舱>> Cockpit

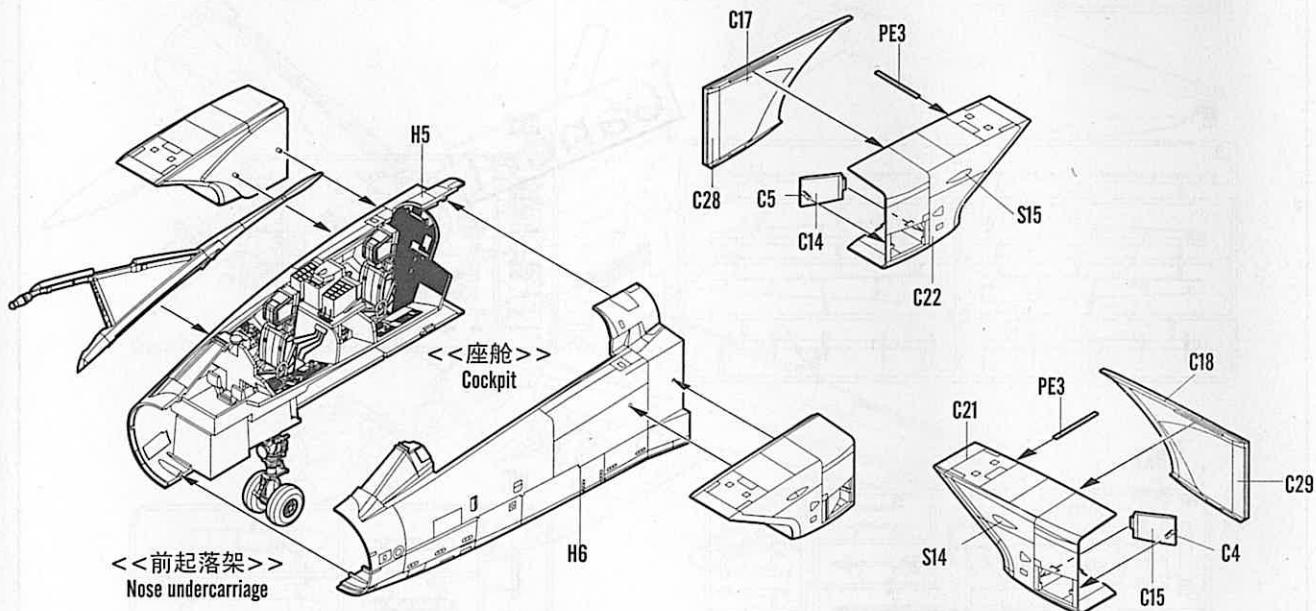
2 STEP



? 选择 Option

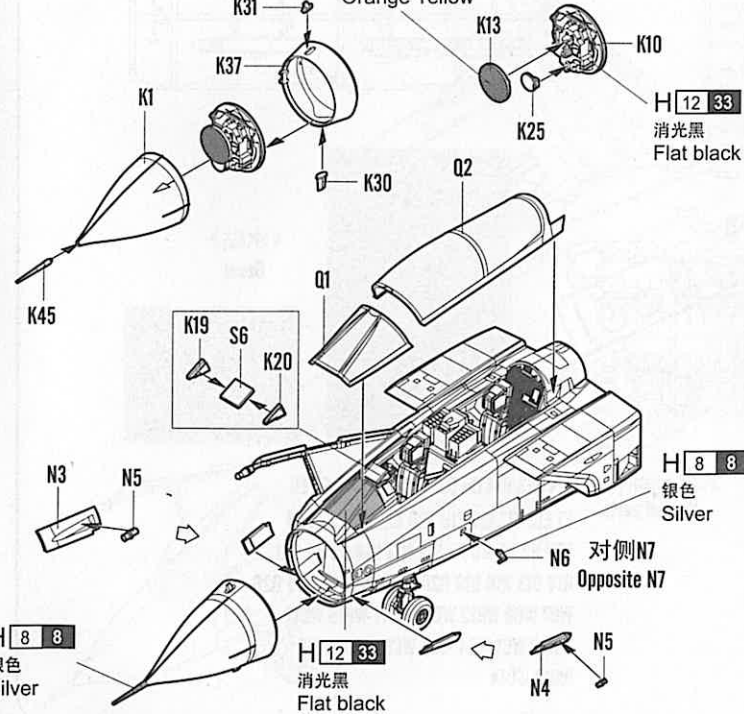
H 8 8
银色 Silver

H 316 316
白色 White Insignia



<<前起落架>> Nose undercarriage

H 329 329
黄色 Orange Yellow



H 8 8
银色 Silver

H 12 33
消光黑 Flat black

H 8 8
银色 Silver

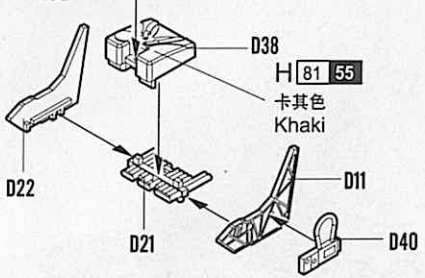
对侧K42
Opposite K42

对侧N7
Opposite N7

1 STEP

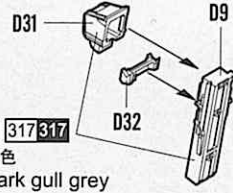
H 3 3

红色 Red

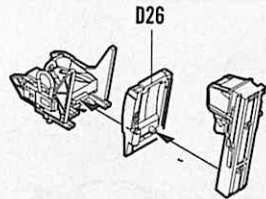


H 81 55

卡其色 Khaki



H 317 317
灰色 Dark gull grey



<<座椅>>
Seat
制做2组
Make two

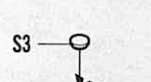
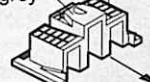
H 317 317

灰色 Dark gull grey



贴纸 Decal

31+43

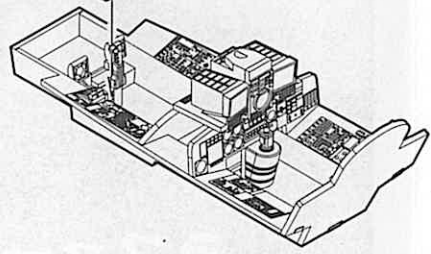


贴纸 Decal

41+44

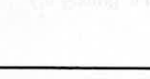
H 12 33

消光黑 Flat black



H 317 317

灰色 Dark gull grey



<<座椅>>
Seat

制做2组
Make two

H 77 137
胎黑色 Tire Black

对侧K40
Opposite K40

制做2组
Make two

H 316 316

白色 White Insignia

制做2组
Make two

H 317 317

灰色 Dark gull grey

制做2组
Make two

H 317 317

灰色 Dark gull grey

制做2组
Make two

H 317 317

灰色 Dark gull grey

制做2组
Make two

H 317 317

灰色 Dark gull grey

制做2组
Make two

H 317 317

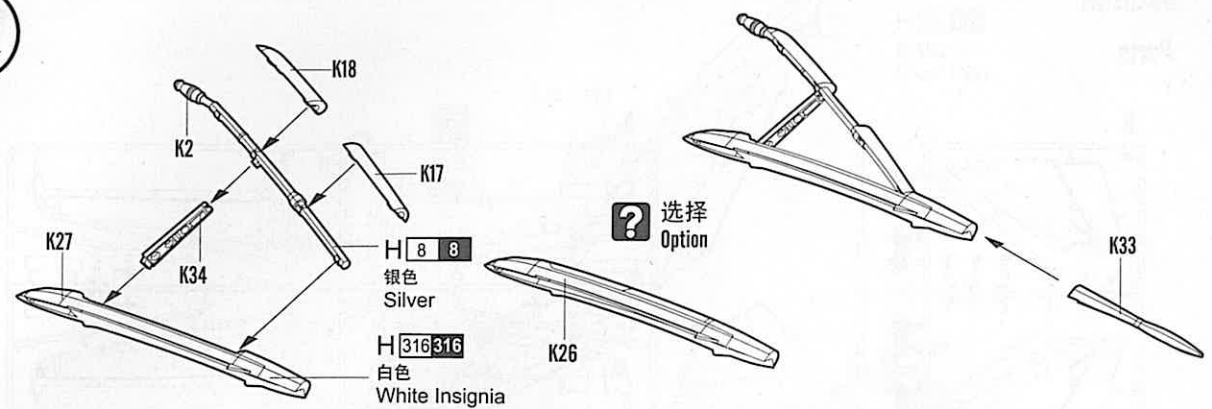
灰色 Dark gull grey

制做2组
Make two

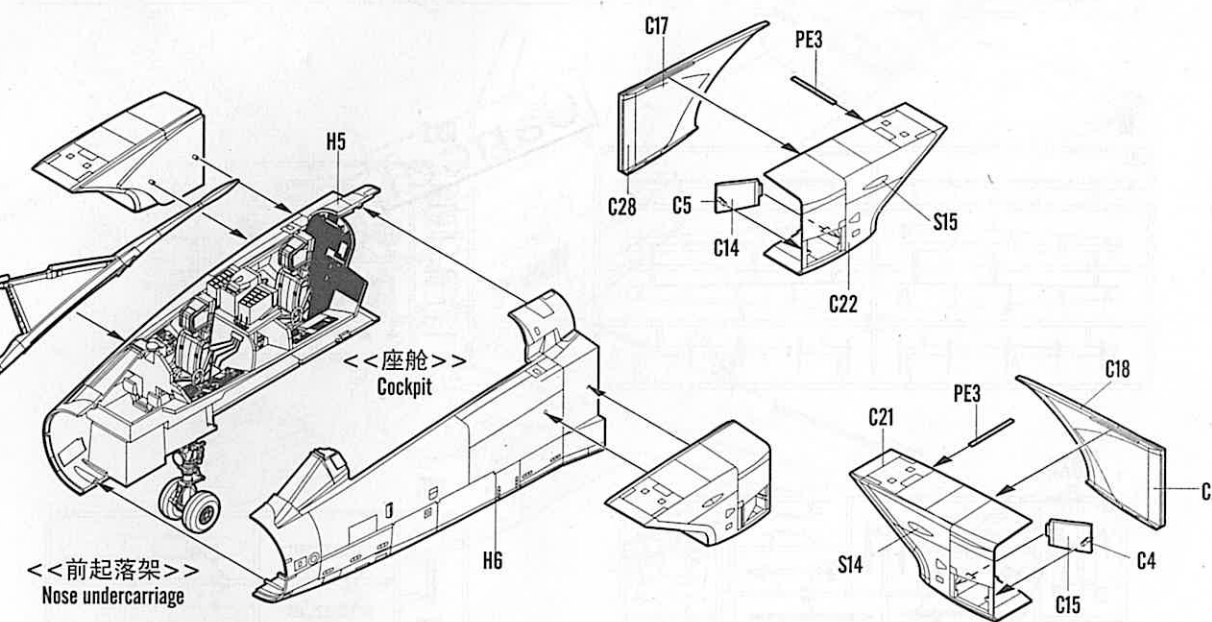
H 317 317

灰色 Dark gull grey

2 STEP



? 选择 Option

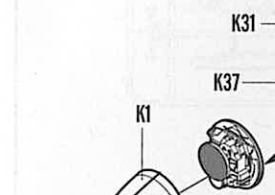


<<前起落架>>
Nose undercarriage

<<座舱>>
Cockpit

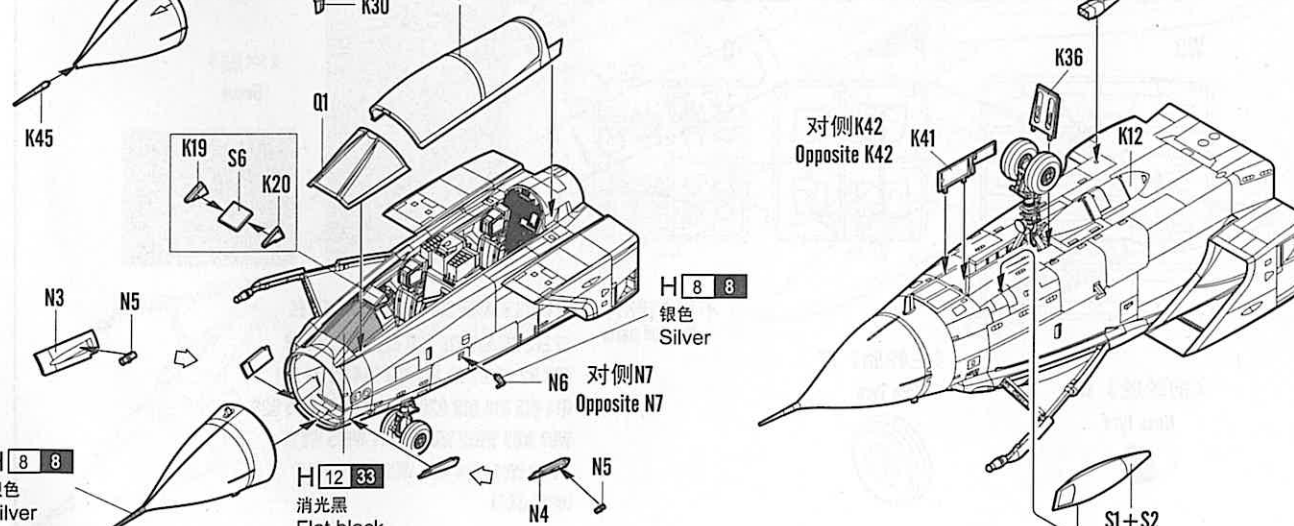
H 329 329

黄色 Orange Yellow



H 12 33

消光黑 Flat black



H 8 8

银色 Silver

H 12 33

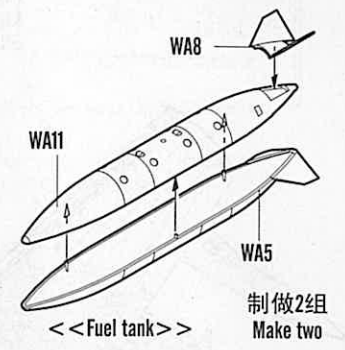
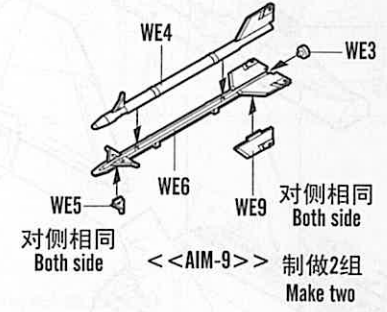
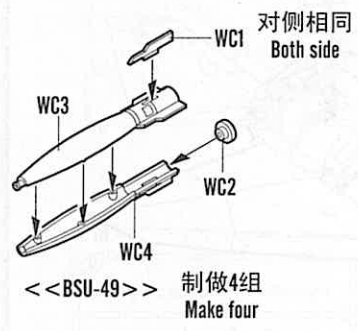
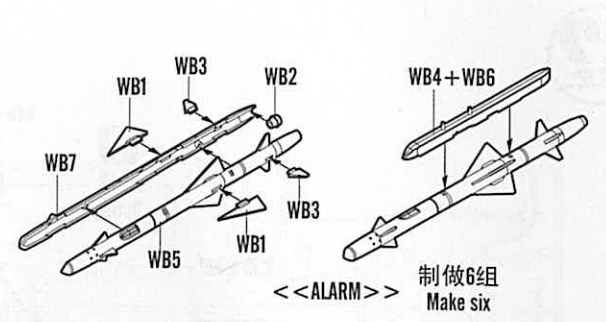
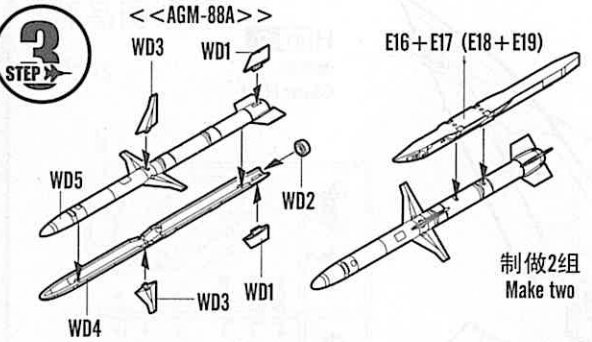
消光黑 Flat black

H 8 8

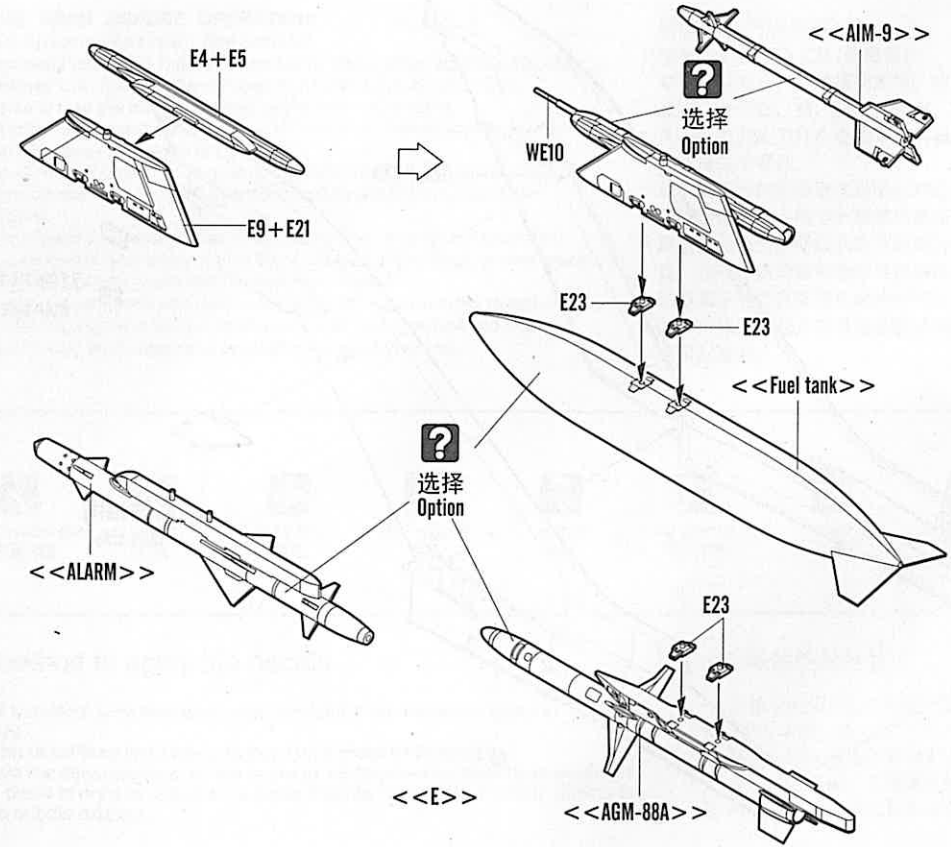
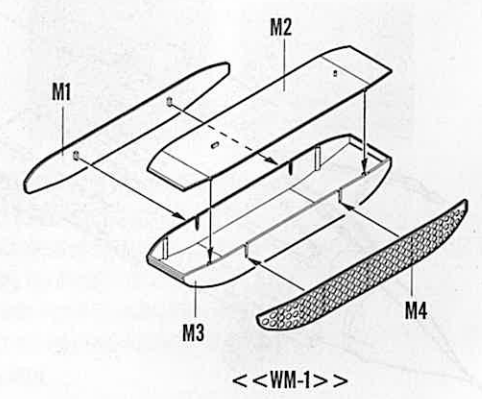
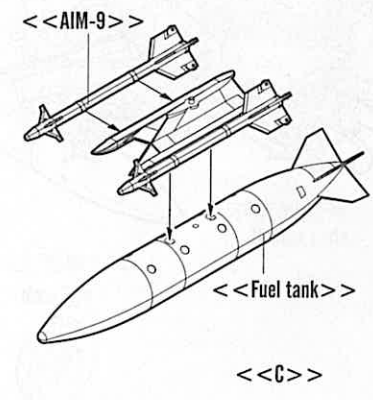
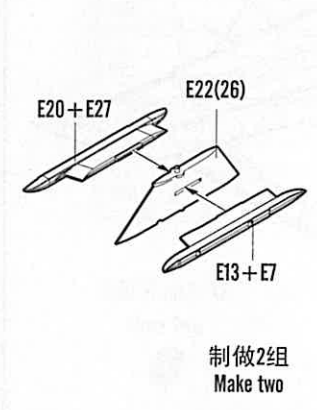
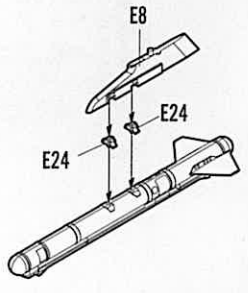
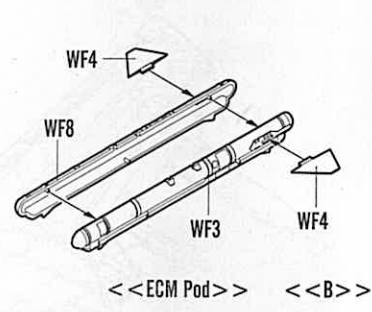
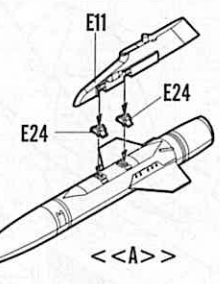
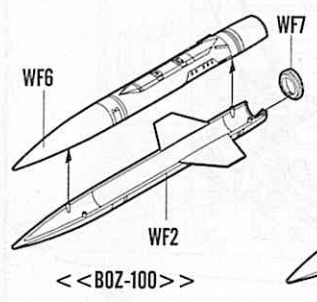
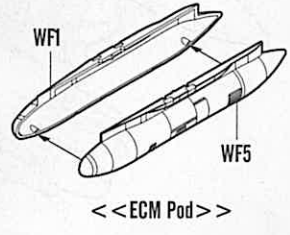
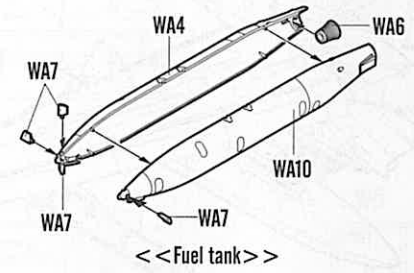
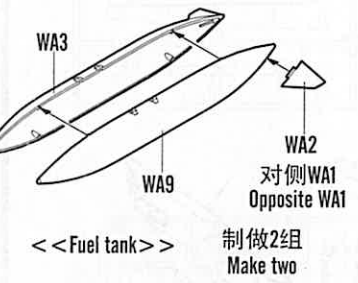
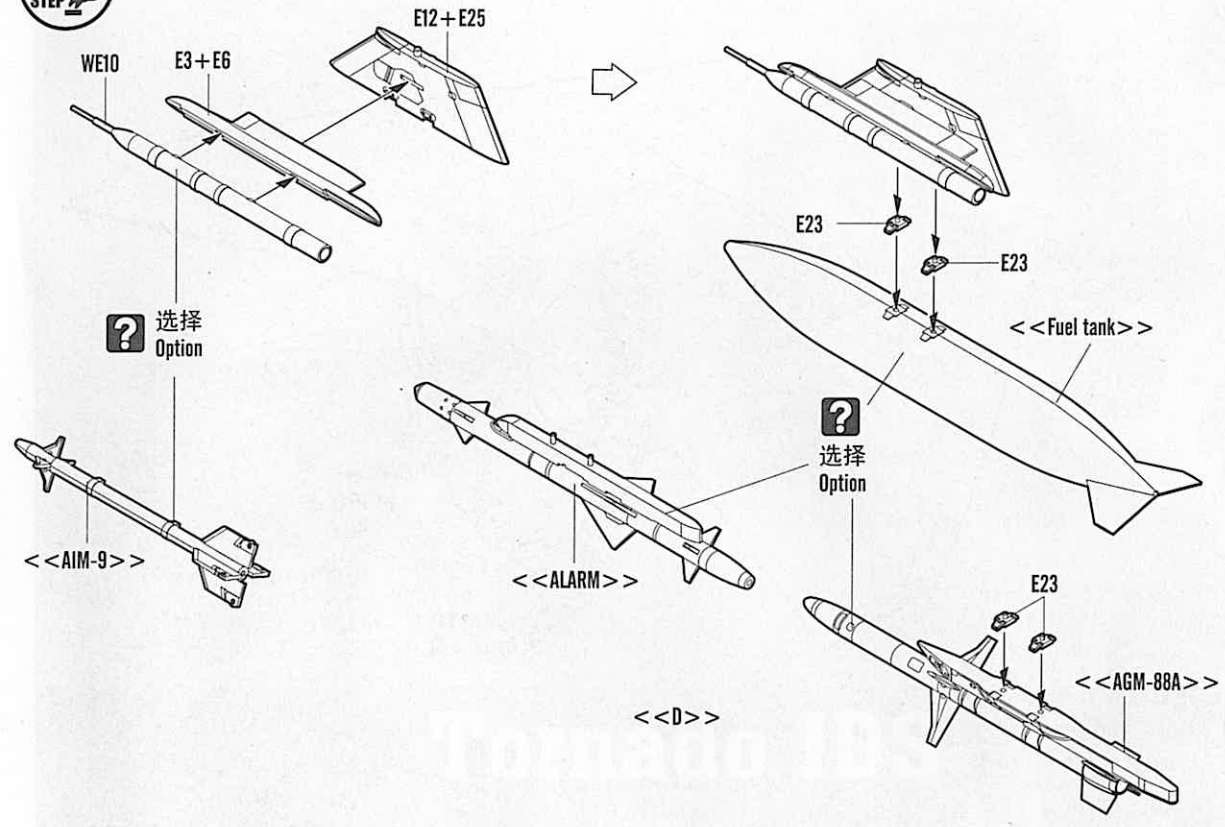
银色 Silver

对侧N7
Opposite N7

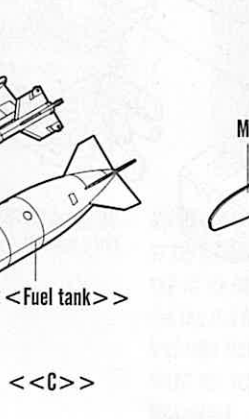
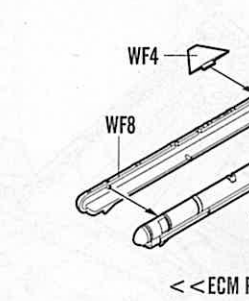
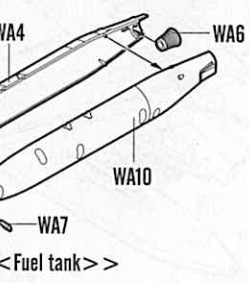
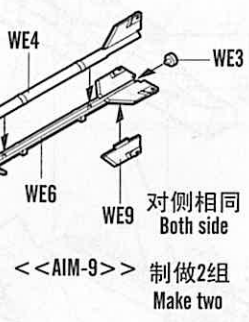
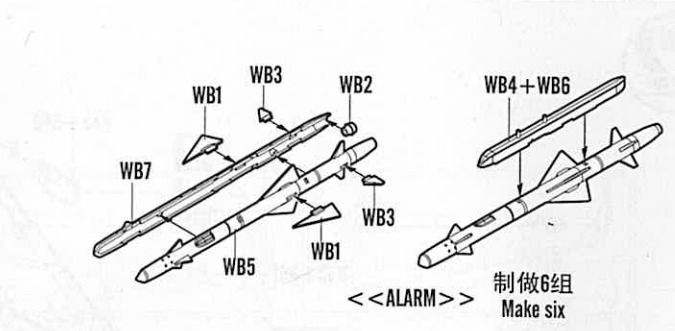
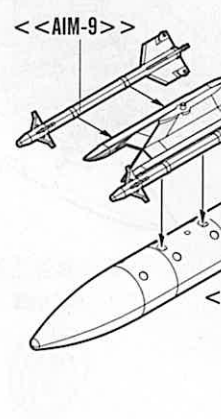
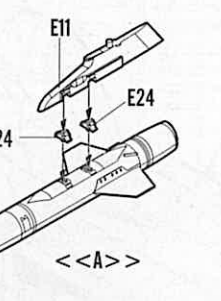
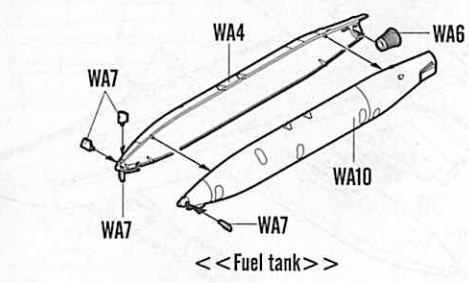
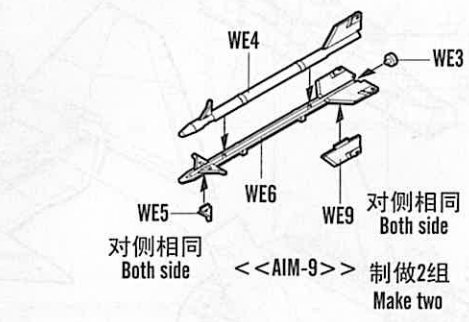
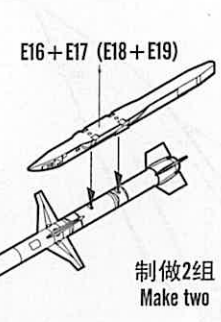
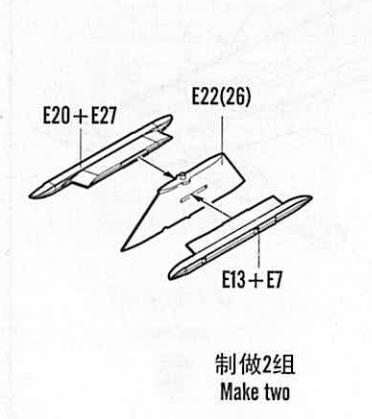
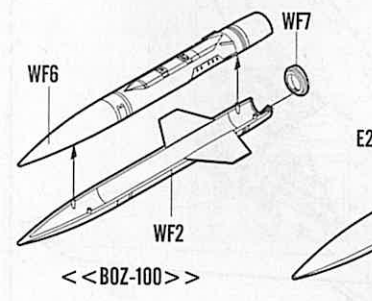
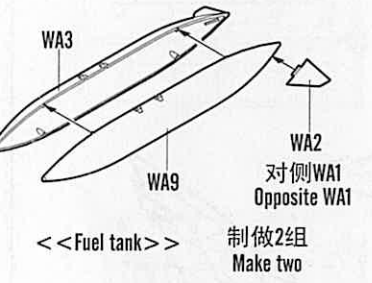
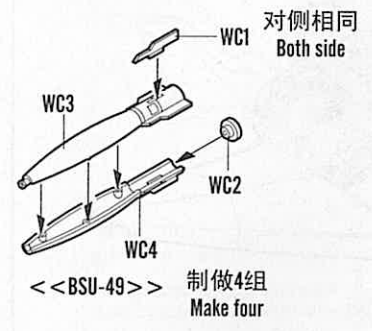
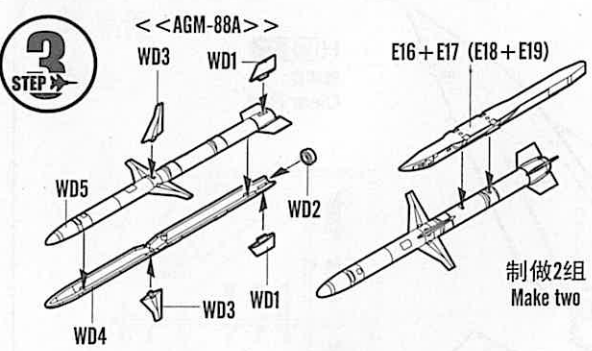
3 STEP



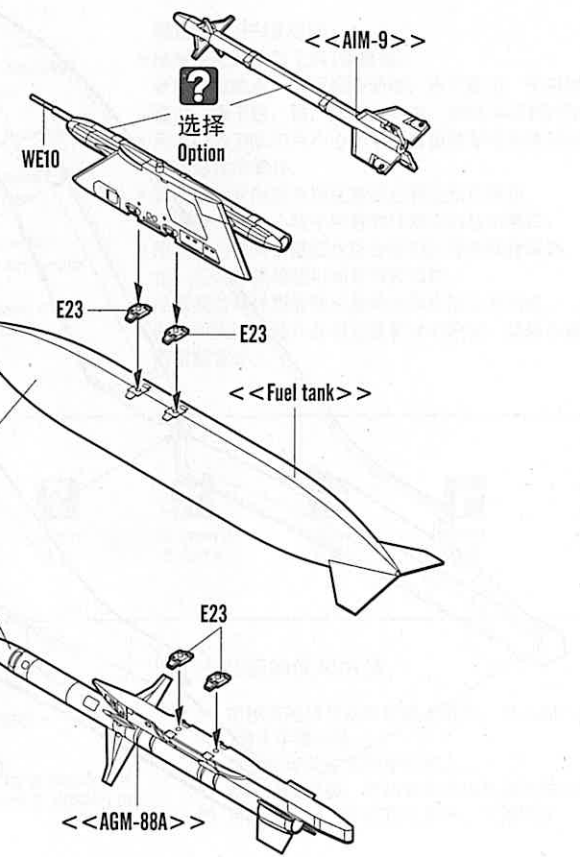
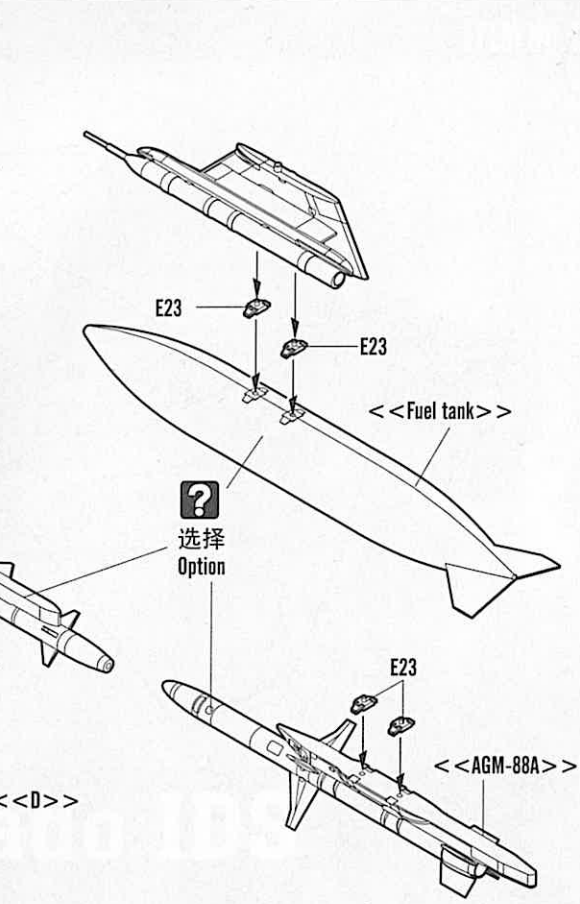
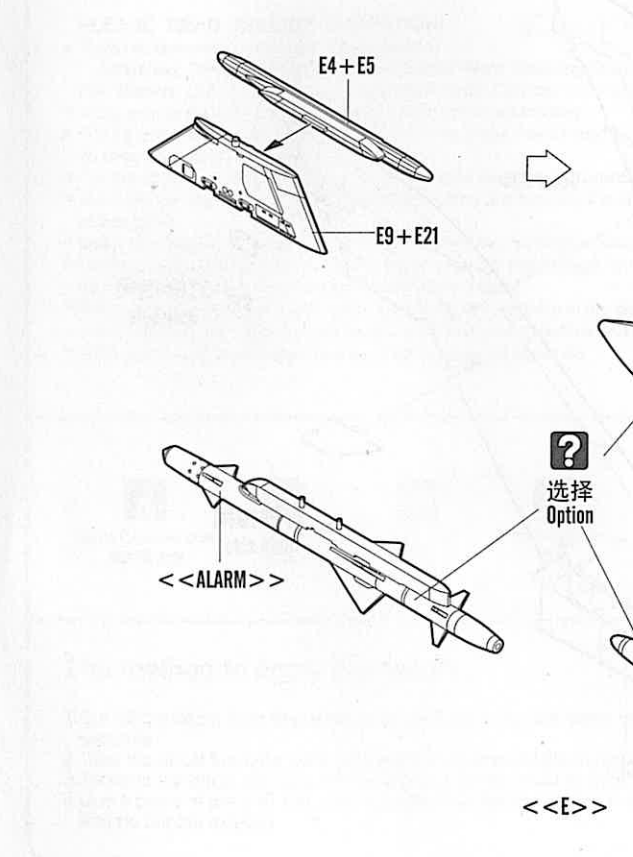
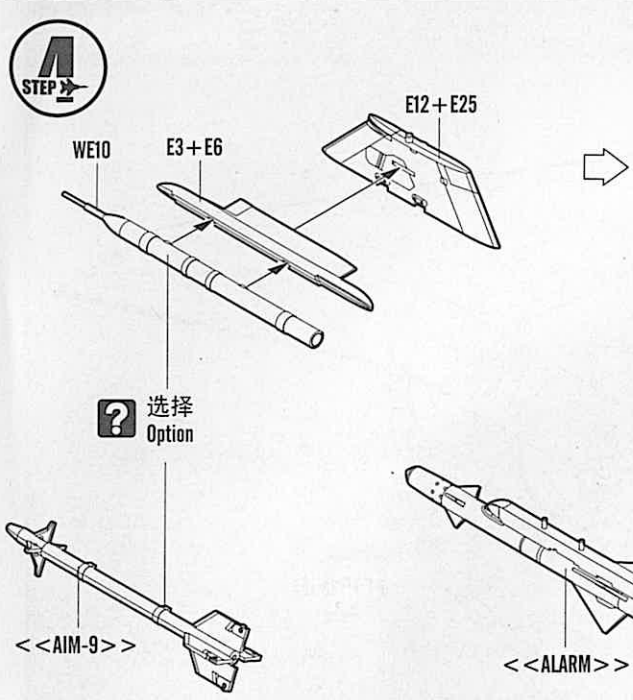
4 STEP

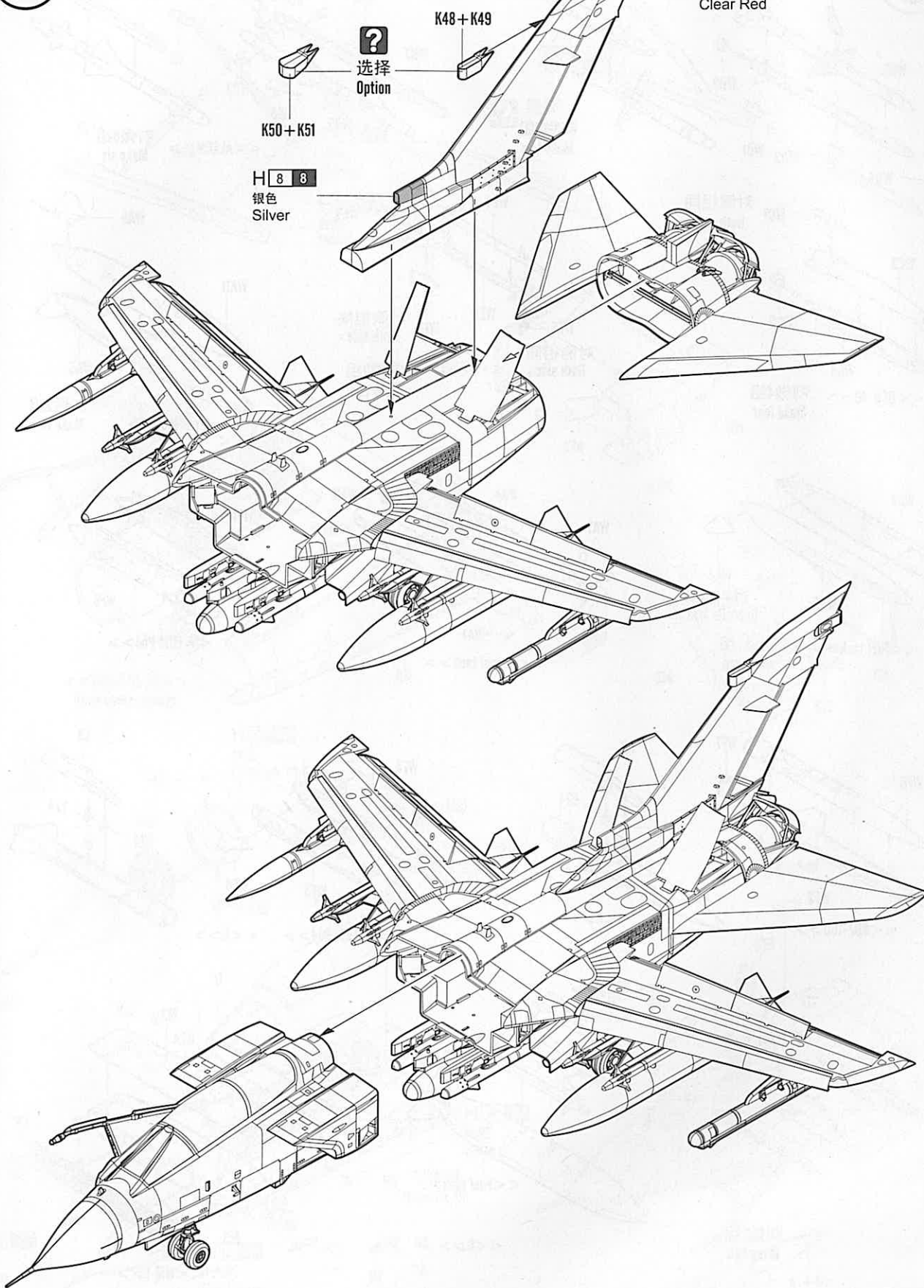
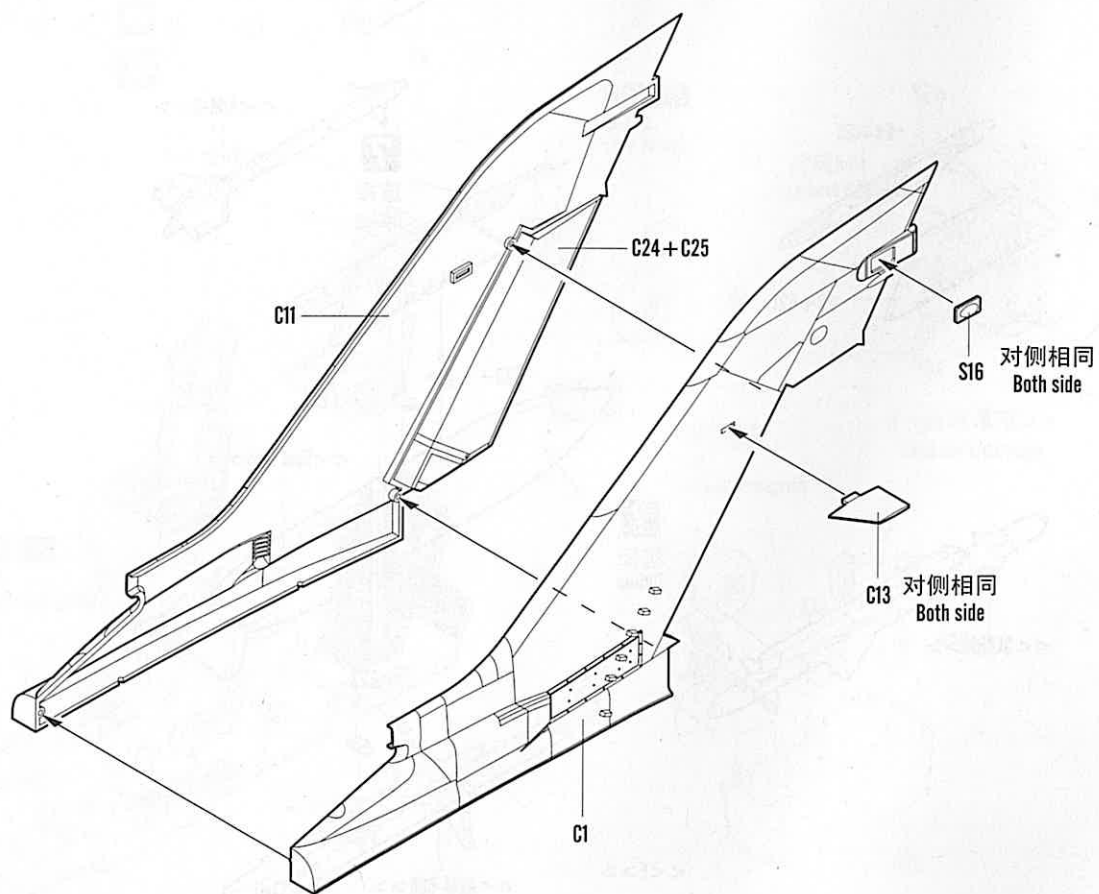
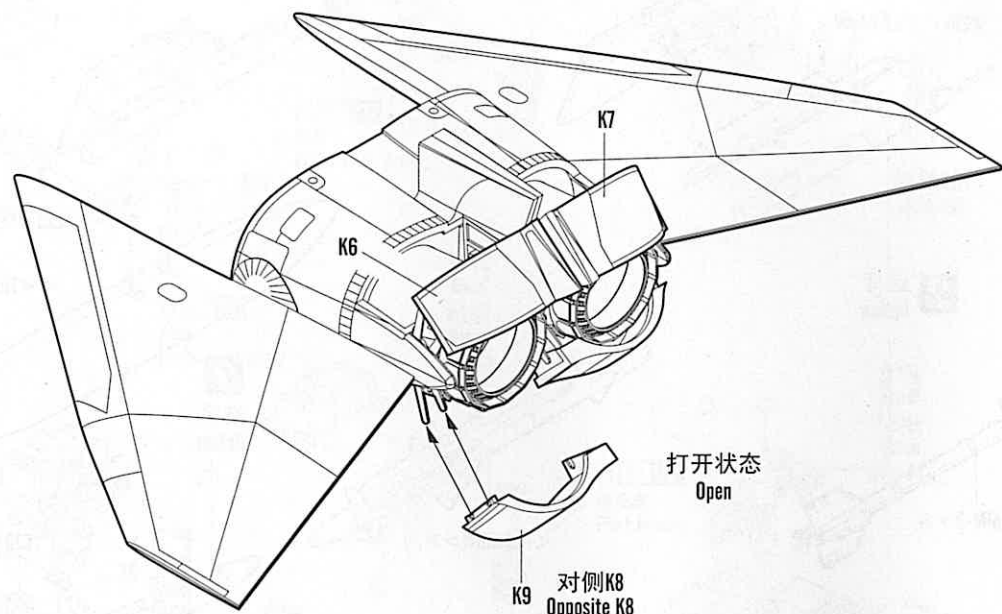


3 STEP 3

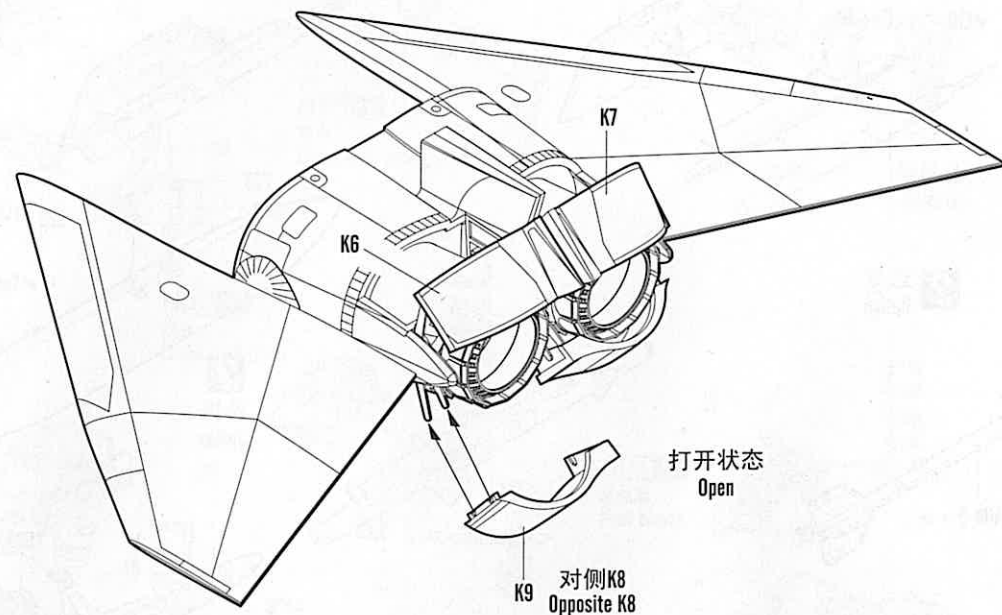


4 STEP 4



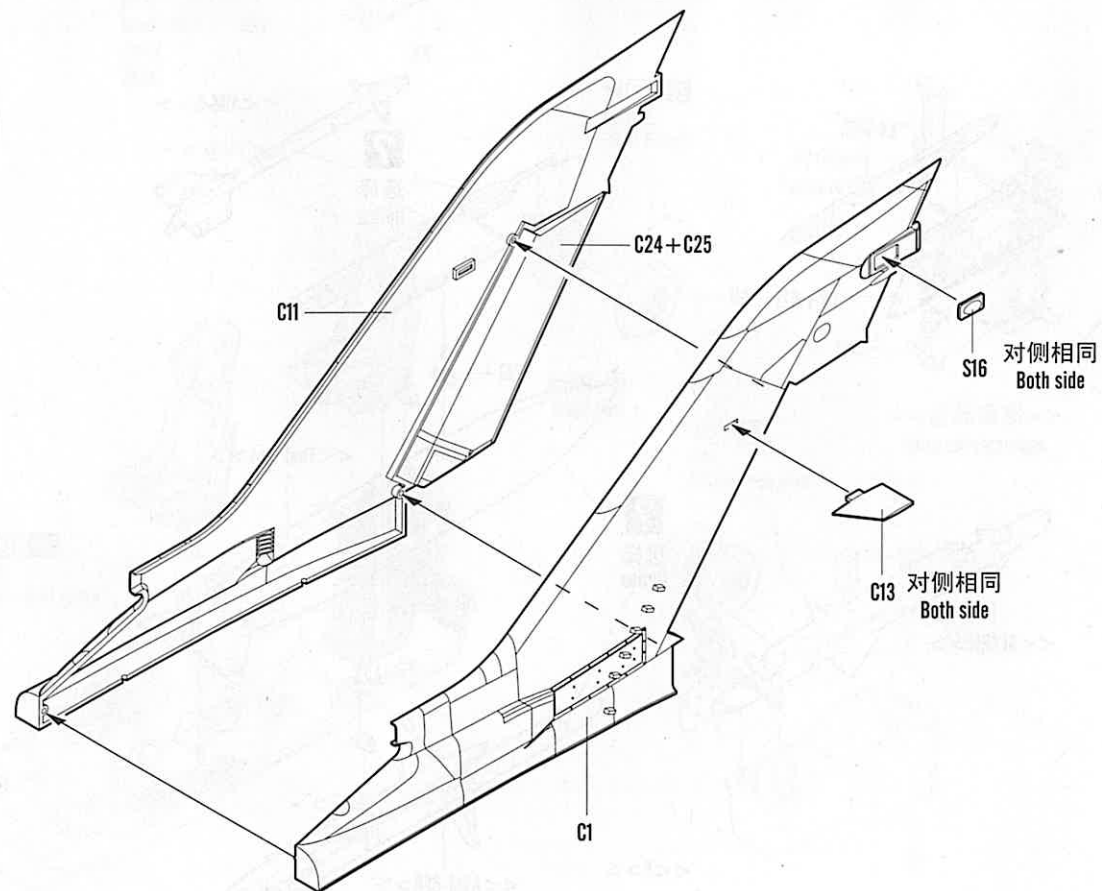


11
STEP



打开状态
Open

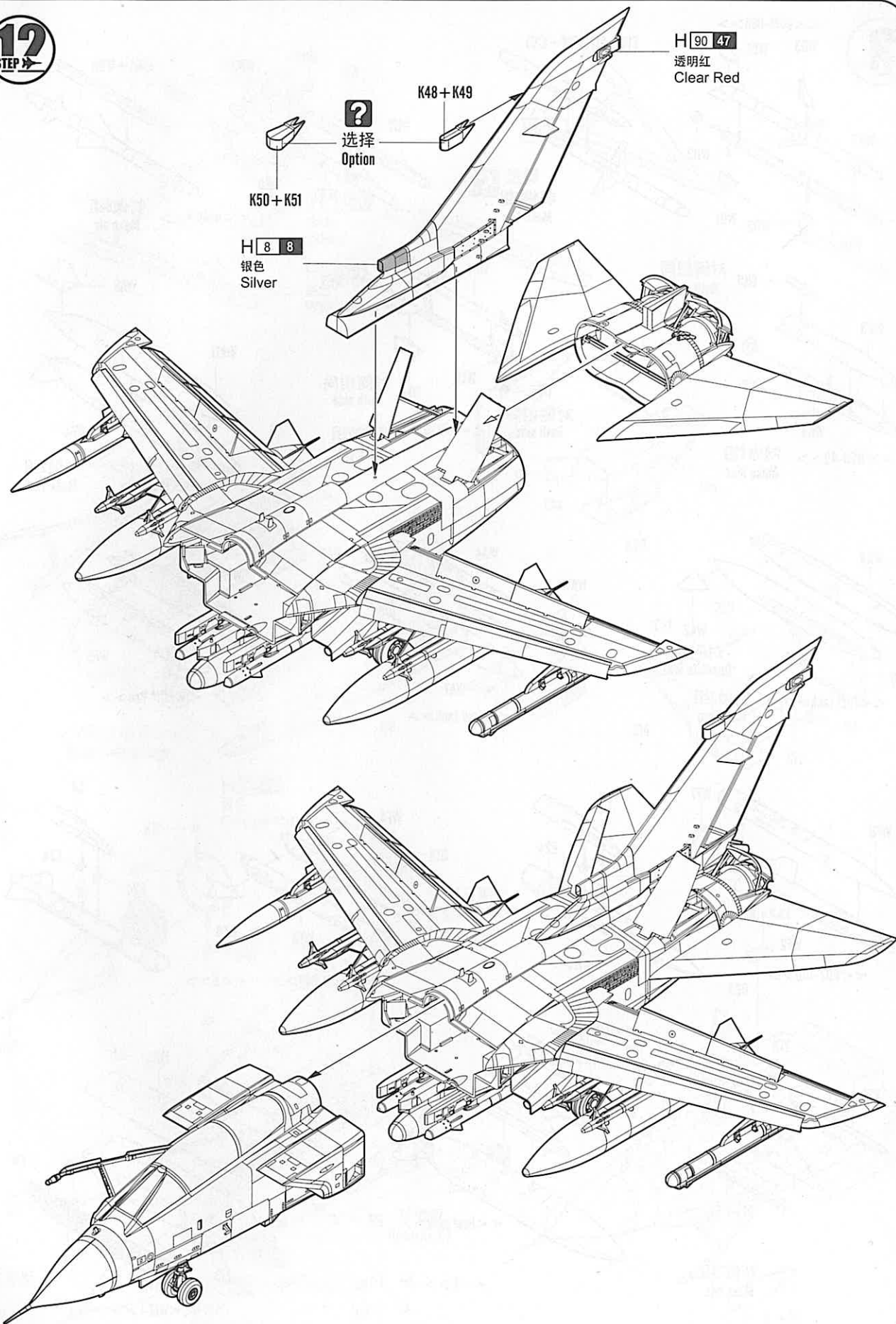
K9 对侧K8
Opposite K8



S16 对侧相同
Both side

C13 对侧相同
Both side

12
STEP



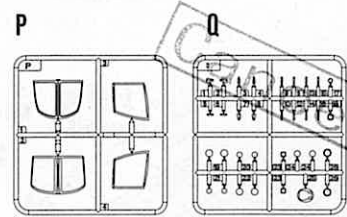
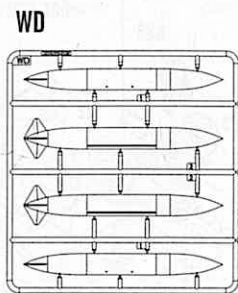
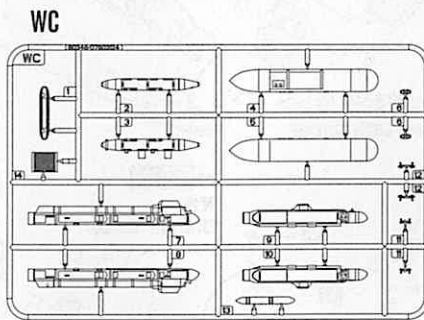
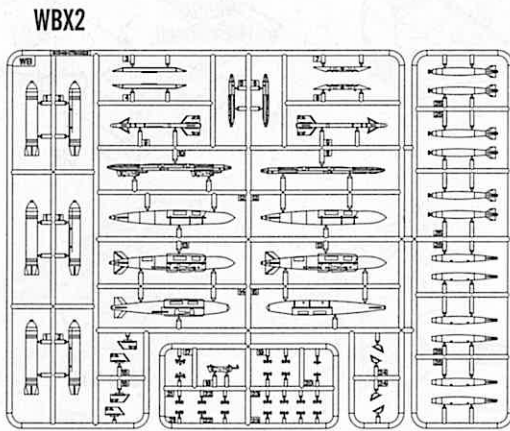
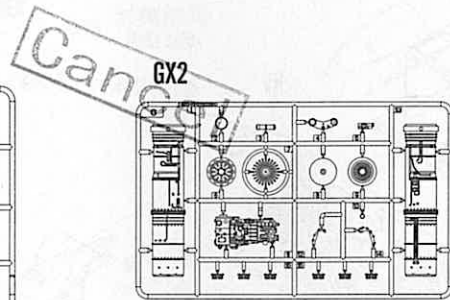
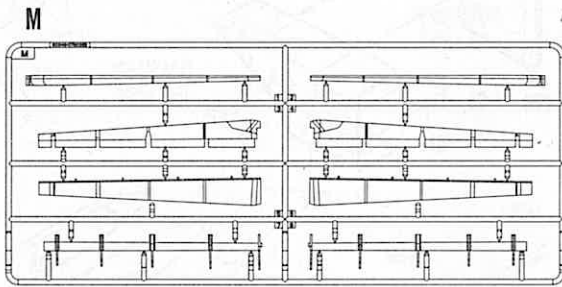
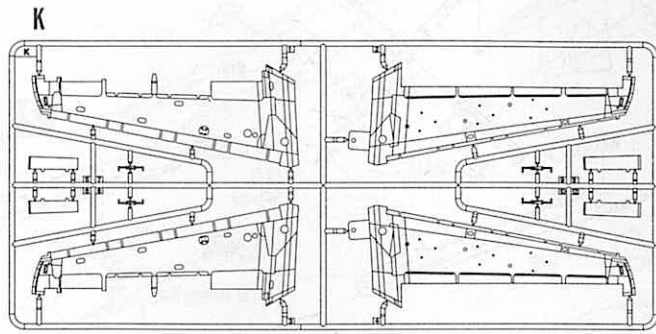
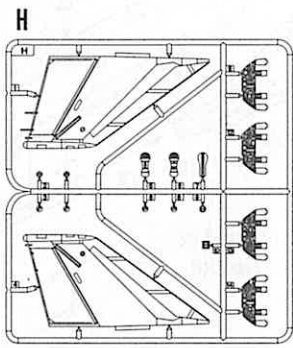
H90+47
透明红
Clear Red

?
选择
Option

K50+K51

H8+8
银色
Silver

K48+K49



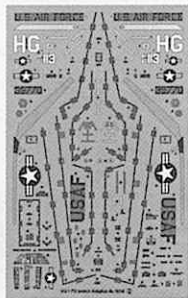
不用的部件: Unused parts

- A14 B13 B14 C5 C31 C43 D14 D15 E5 E6
- E7 E12 E17 E18 E19 E20 E21E22 E23 E24
- E28 H2 H3 H6 H7 H12 H13 H14 Q3 Q4 Q13
- Q14 Q15 Q16 Q19 Q20 Q21 Q22 Q24 Q25 Q26
- WB7 WB8 WB12 WB13 WB14 WB15 WB17
- WB20 WC1 WC4 WC5 WC6 WC11 WC12
- WC13 WC14

《前轮胎》X2
Nose Tyre



《主轮胎》X2
Main Tyre



《水贴》
Decal



Tornado IDS

ラファール C

“狂风”IDS对地攻击机

PLEASE READ BEFORE OPERATION!

- * Tools recommended as below: (Not included)
Adhesives; Paints; Side Cutters; Sharp Edged Pliers; Modeling Knife; Modeling File; Nippers; Drill; Scissors; Sand Paper; Soft Cloth; Cyanoacrylate Glue.
- * Make sure to read this instruction listed below before assembling.
- * The kit contains the small parts, they can be dangerous if swallowed by mistake, so keep them away from reach of children.
- * Cut the all parts off carefully and remove the waste parts into the garbage can.
- * More caution and care should be needed for cutting and handling the photo etched parts.
- * Make attention that some parts should be attached the decal when assembled.
- * During assembling, please tear up and throw away the plastic bags, or may cause the dangerous if wearing over head by children's mistake.
- * When using the adhesives and paints, please do not use them in the closed room or near the fire, also must be very careful to protect your eyes, face and clothes.
- * Adult supervised when assembled by children under 14 years old.

装配前请仔细阅读:

- * 推荐使用的模型工具(请自备):
专用模型胶水, 专用模型油漆, 水口剪刀, 长咀钳, 刀片, 锉刀, 镊子钳, 钻, 剪刀, 软布, 砂纸, 瞬间快干胶等。
- * 用水口剪刀或刀片小心切下所有塑胶零件和蚀刻片零件, 不要遗失小零件。
- * 切取蚀刻片时应特别注意防止利边划伤手指。
- * 用模型锉刀小心锉平所有零件表面的注射浇口。
- * 用适量的强力快干胶水粘合蚀刻片零件和金属轴, 切忌过量, 否则可能导致可动零件被粘住。
- * 注意某些零件表面需在装配时同步贴水上贴纸。
- * 制作时应远离幼儿并将包装袋及时收妥, 谨防小孩玩耍而引起意外。



Using CA super glue
使用强力胶



weight
配重



make hole
钻孔



cut / remove
切除



option
选择



no cement
不涂胶水



decal
贴纸



bend
弯曲



repair
填补

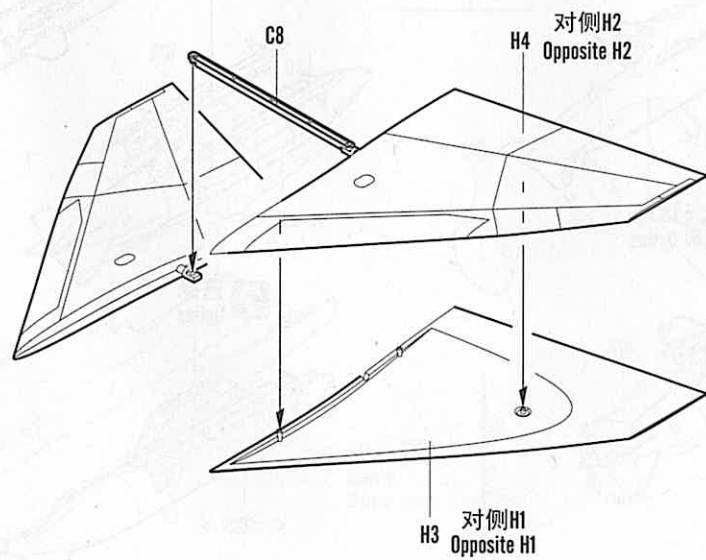
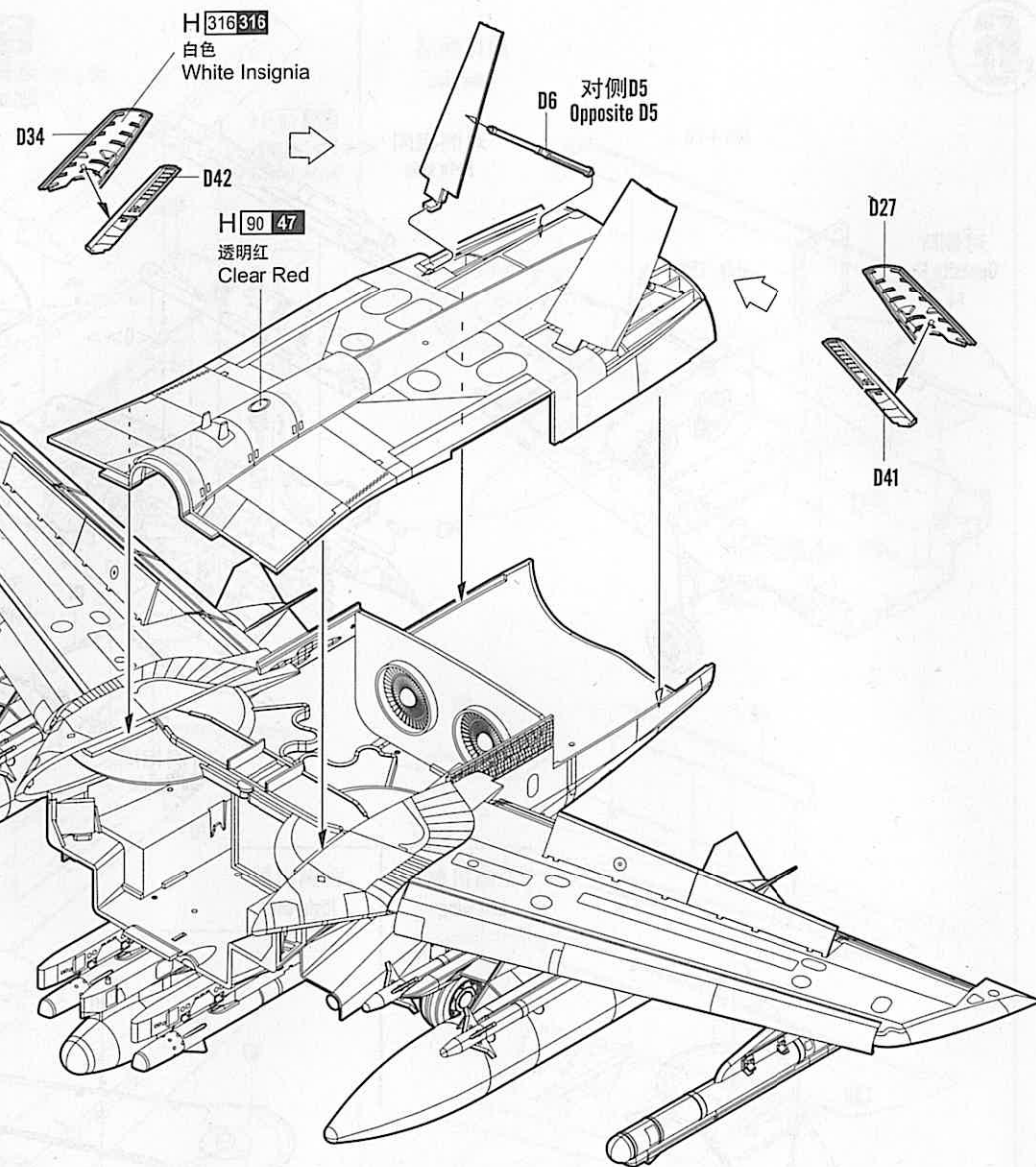
The method to apply the decals

1. Cut off the decal from the decal paper and put it into the warm water 40°C for 10 seconds.
2. Take the decal from the water and put it on a piece of clean cloth.
3. Remove the decal slowly from the paper to the targeted location by a wet finger.
4. Use a piece of dry and soft cloth to press it gently on the decal until it getting dry and no bubble existing.

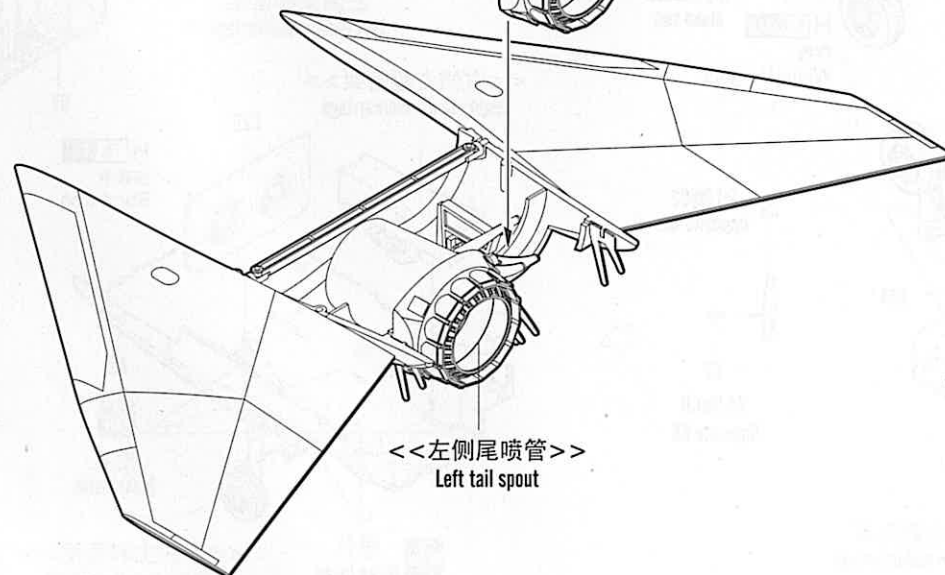
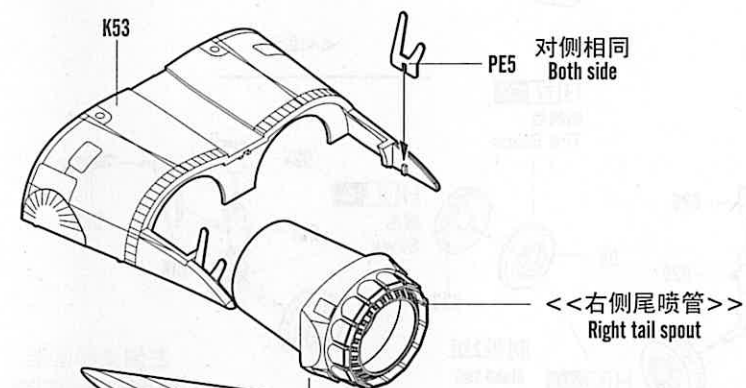
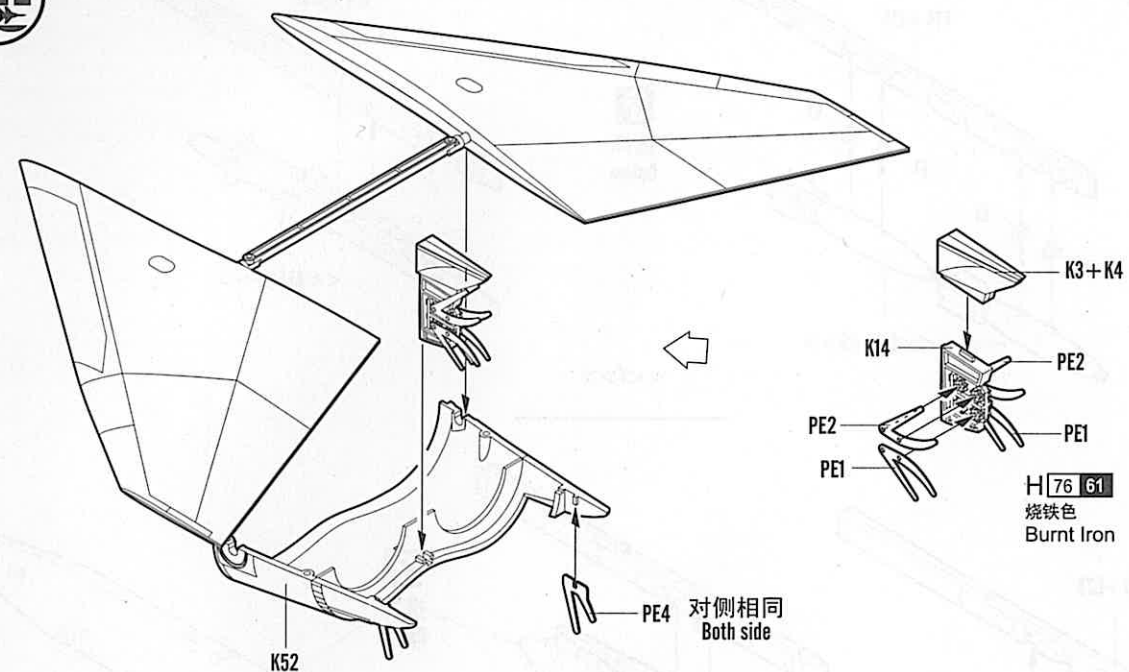
水贴纸的使用方法:

- 一. 把相关的印花从水贴纸上剪下, 放入40°C左右的温水中浸10秒。
- 二. 然后将印花放在干净的布上。
- 三. 拿上印花纸板, 手指蘸水将印花移到适当的位置。
- 四. 用软干布轻压印花直至水干, 气泡消失。

9
STEP



10
STEP



9
STEP

H 316 316

白色
White Insignia

D34

D42

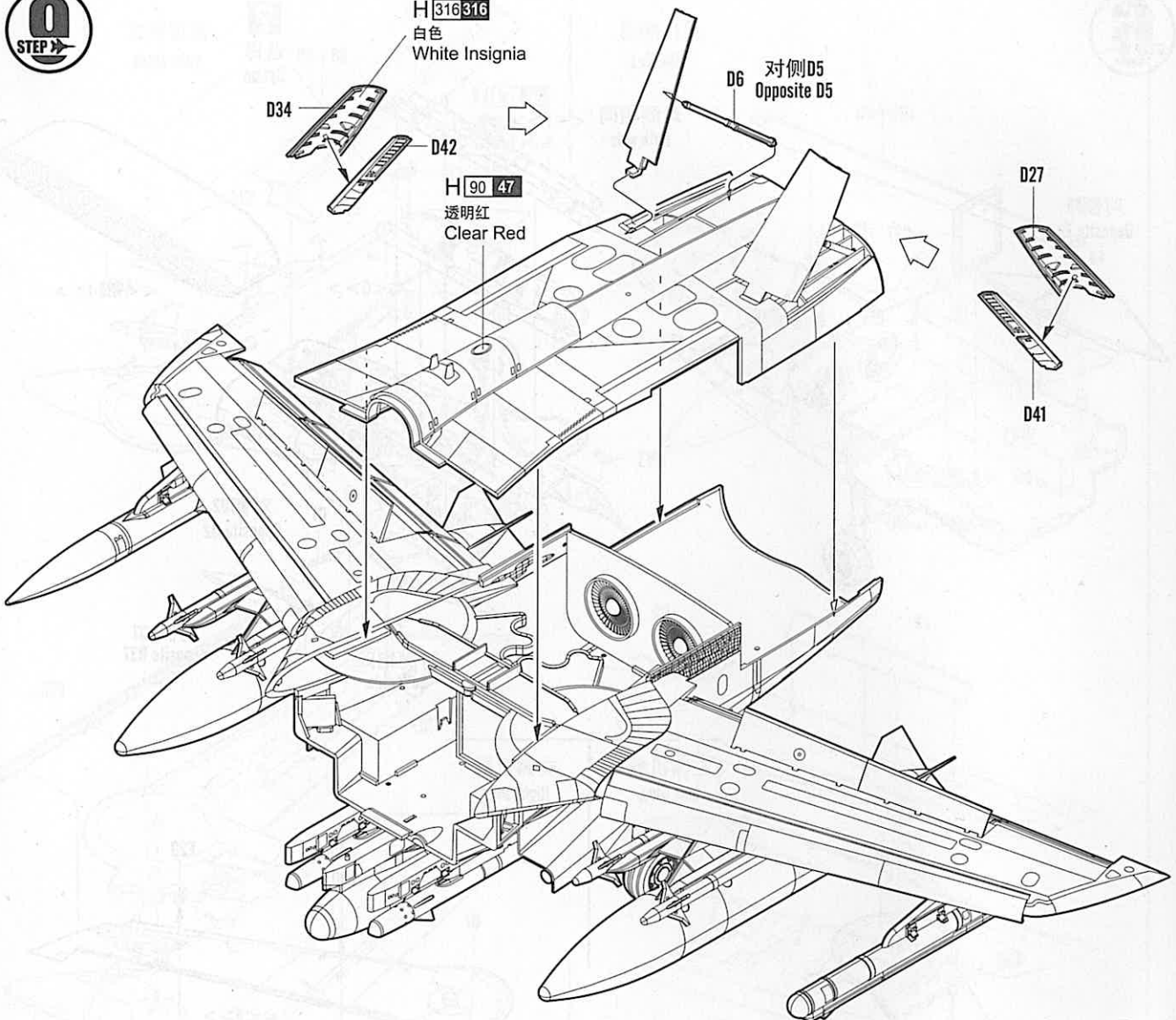
H 90 47

透明红
Clear Red

D6 对侧D5
Opposite D5

D27

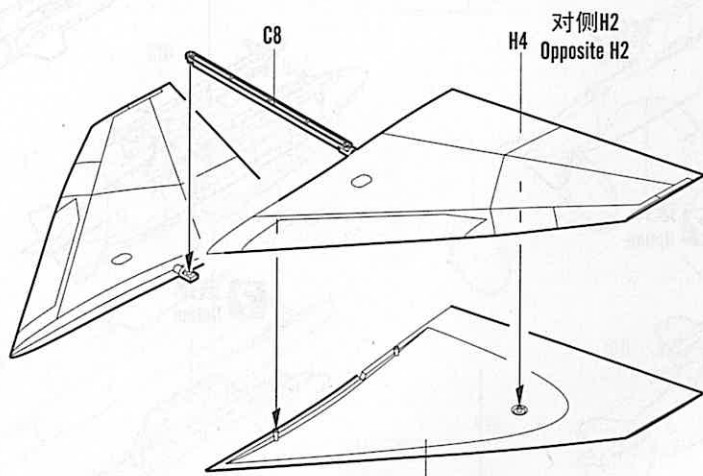
D41



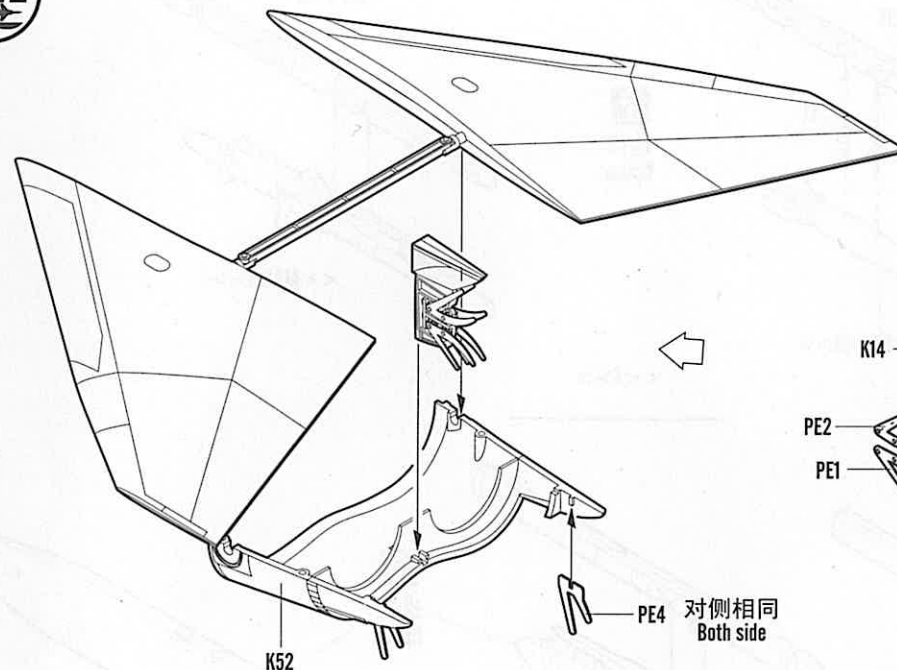
C8

H4 对侧H2
Opposite H2

H3 对侧H1
Opposite H1



10
STEP



PE2

PE1

K14

K3+K4

PE2

PE1

H 76 61

烧铁色
Burnt Iron

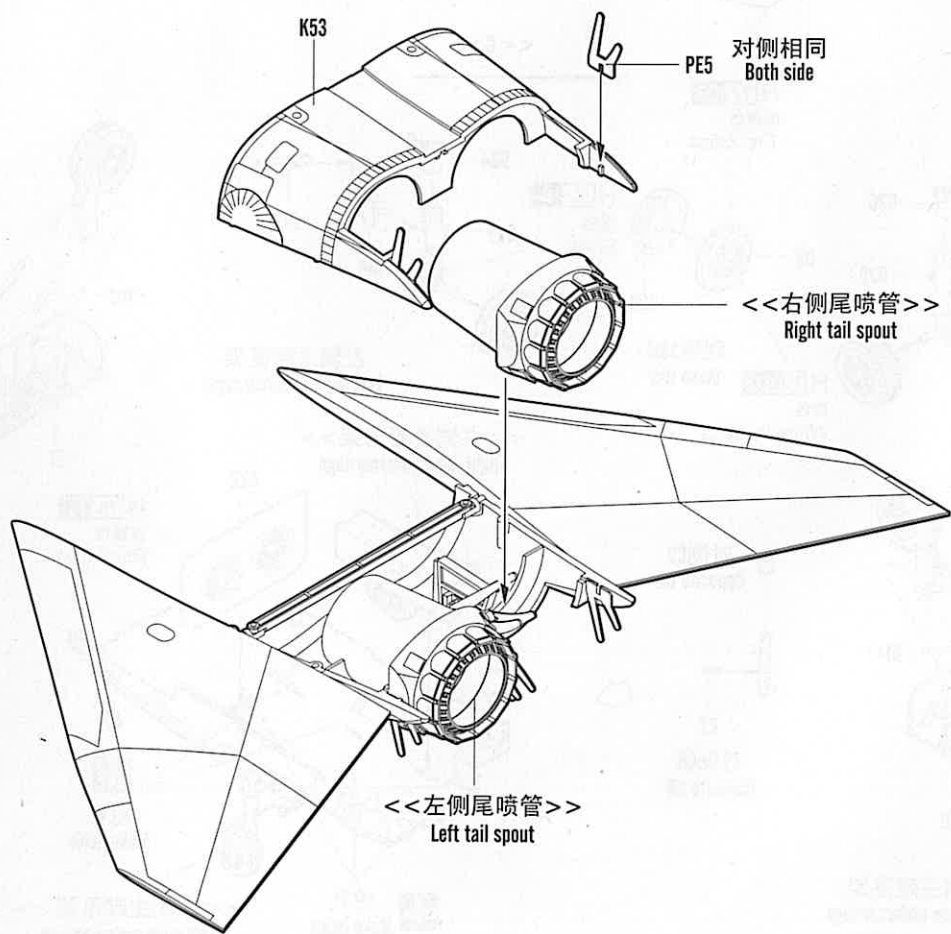
PE4 对侧相同
Both side

K52

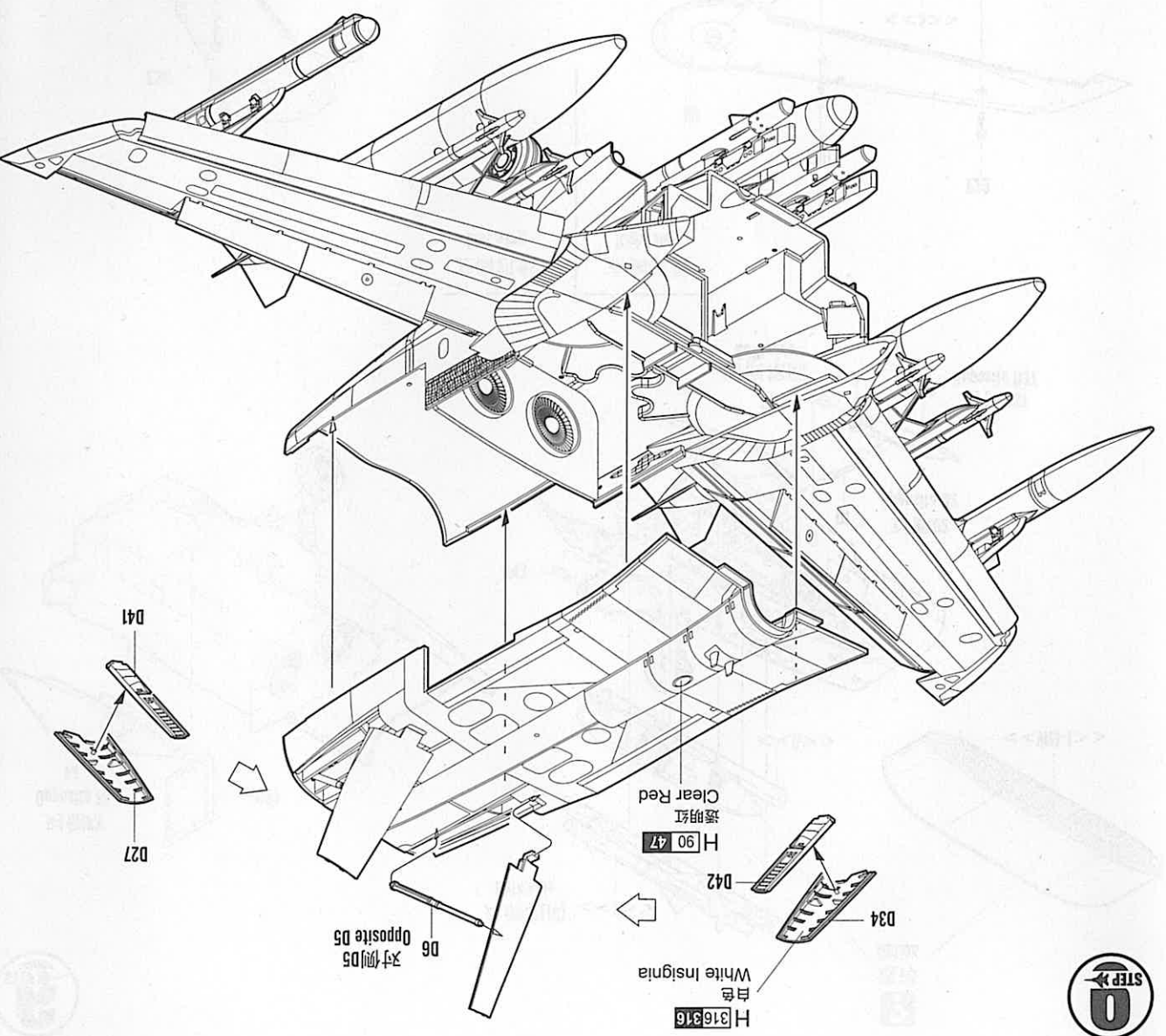
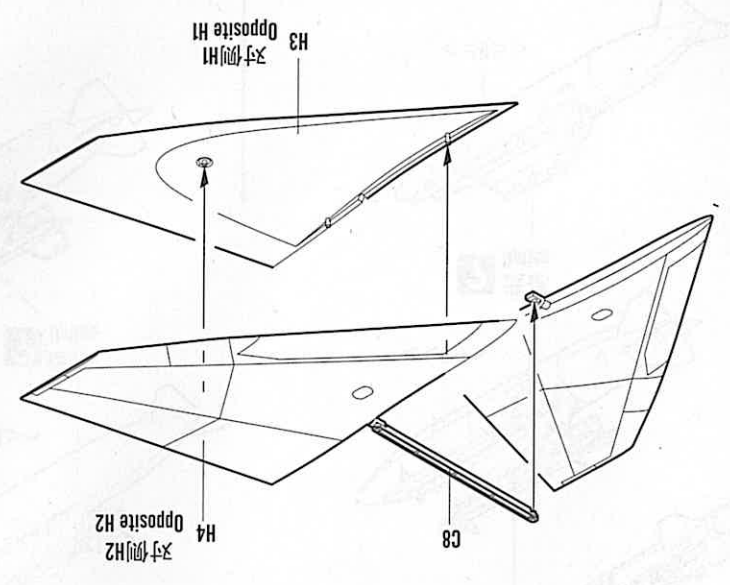
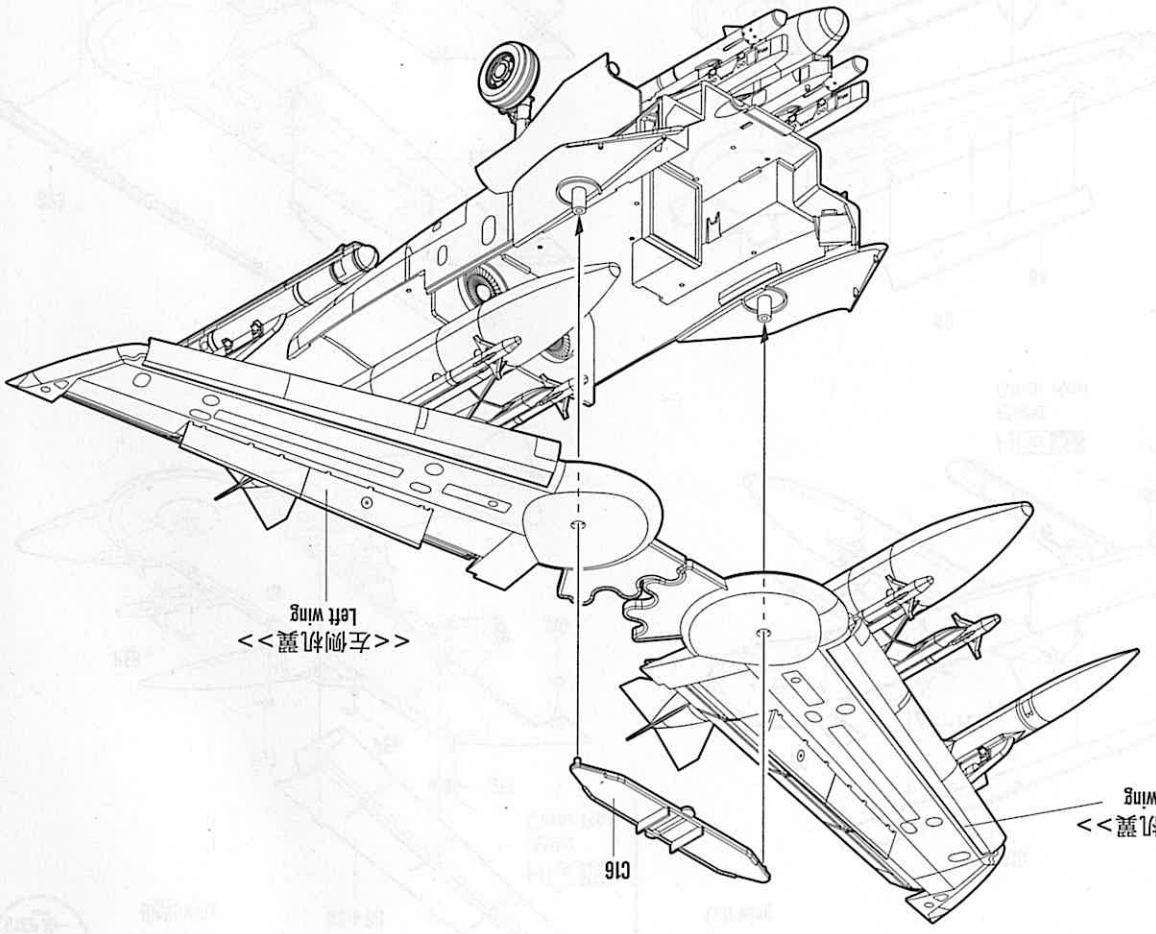
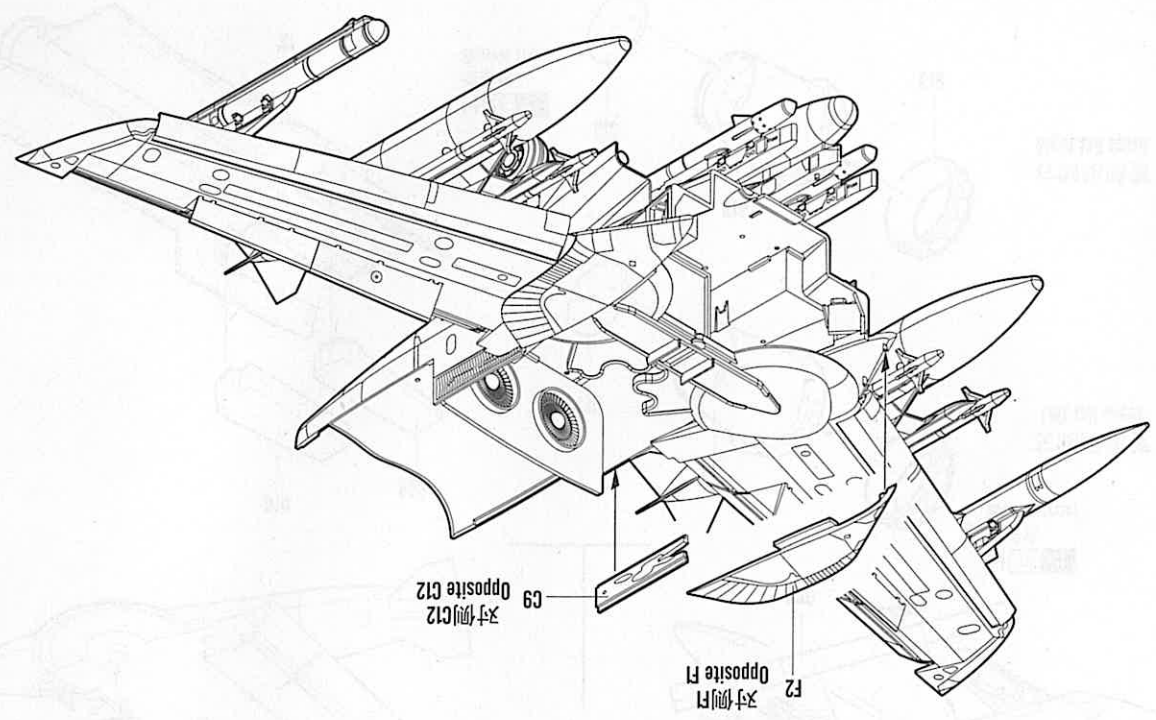
K53

PE5 对侧相同
Both side

<<右侧尾喷管>>
Right tail spout



<<左侧尾喷管>>
Left tail spout

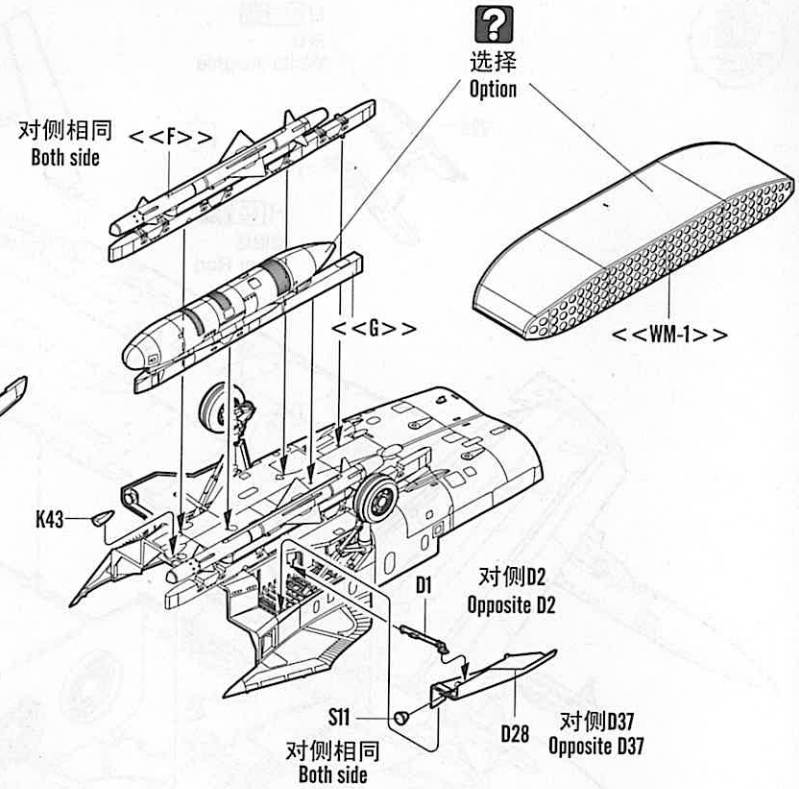
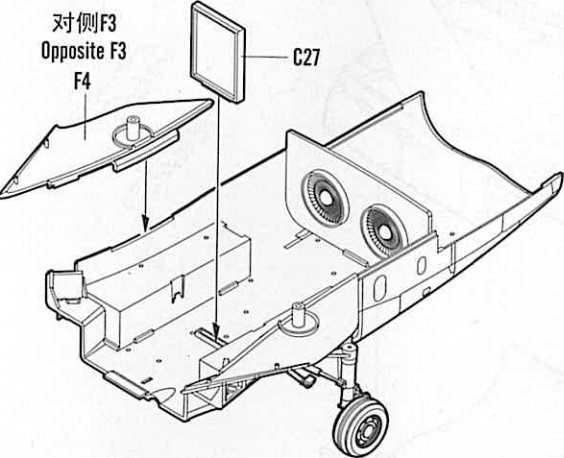


H 316316
白色
White insignia

H 90 47
透明红
Clear Red

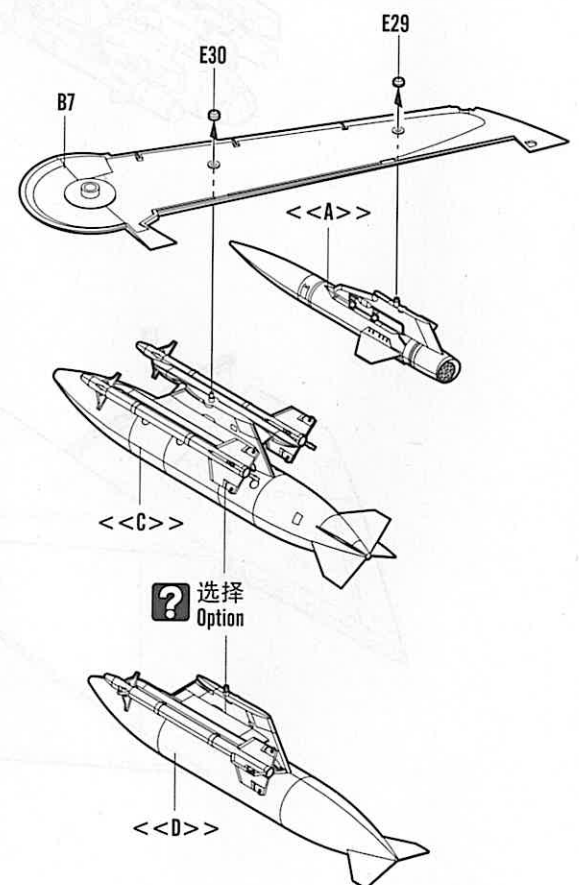
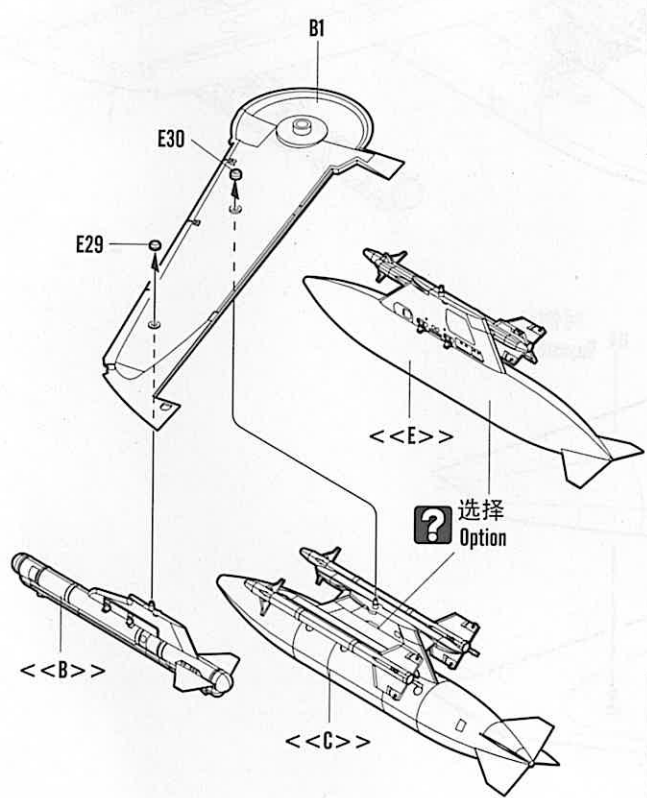


6
STEP



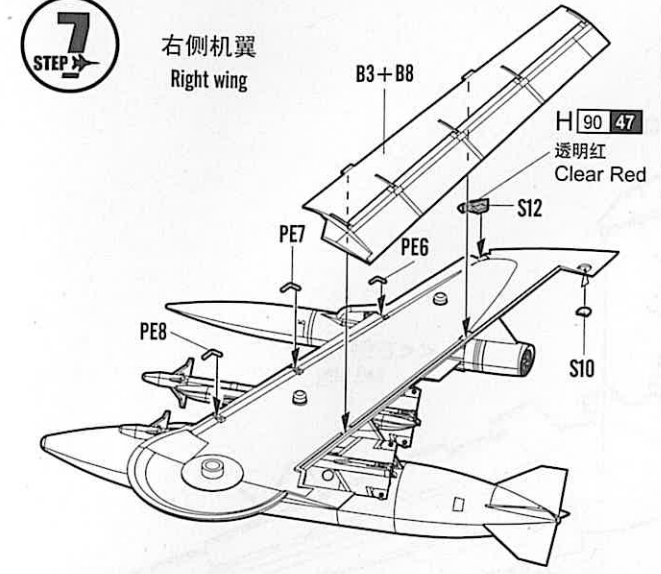
左侧机翼
Left wing

右侧机翼
Right wing

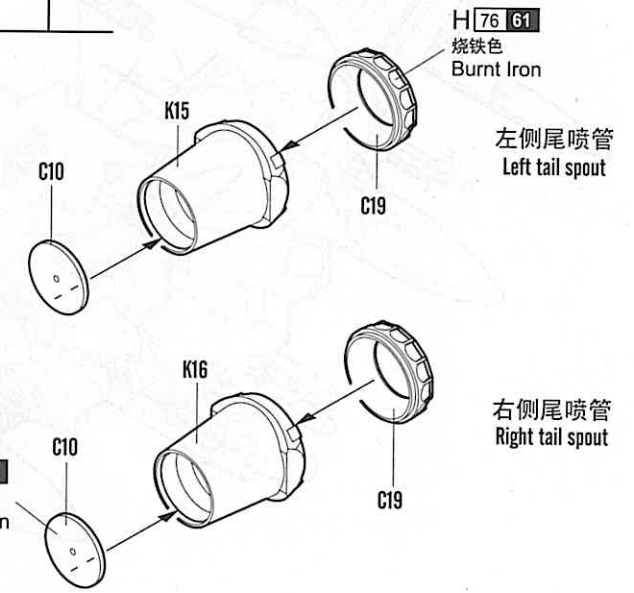
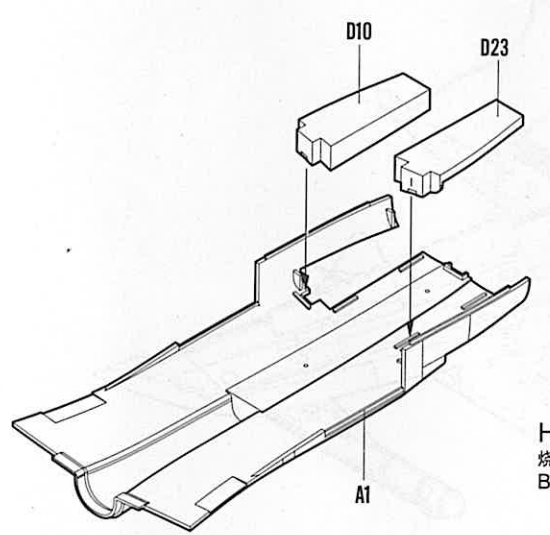
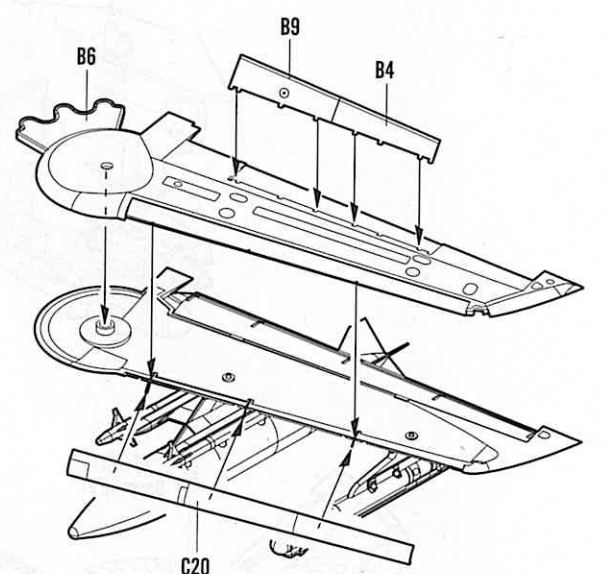
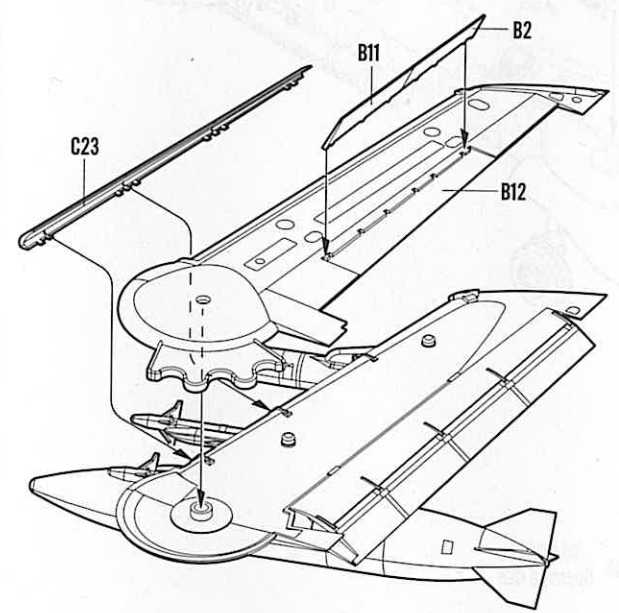
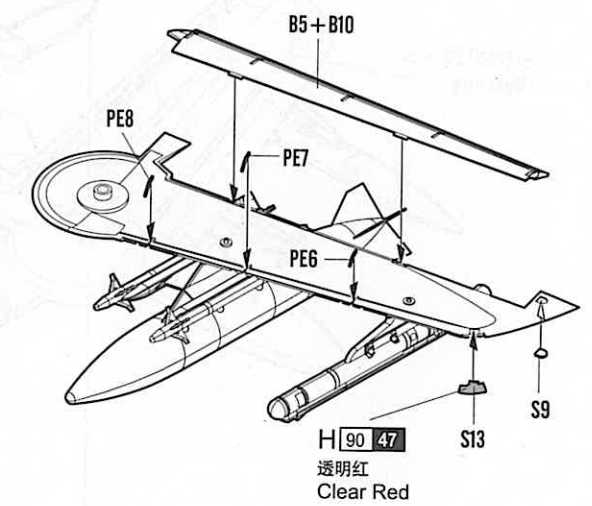


7
STEP

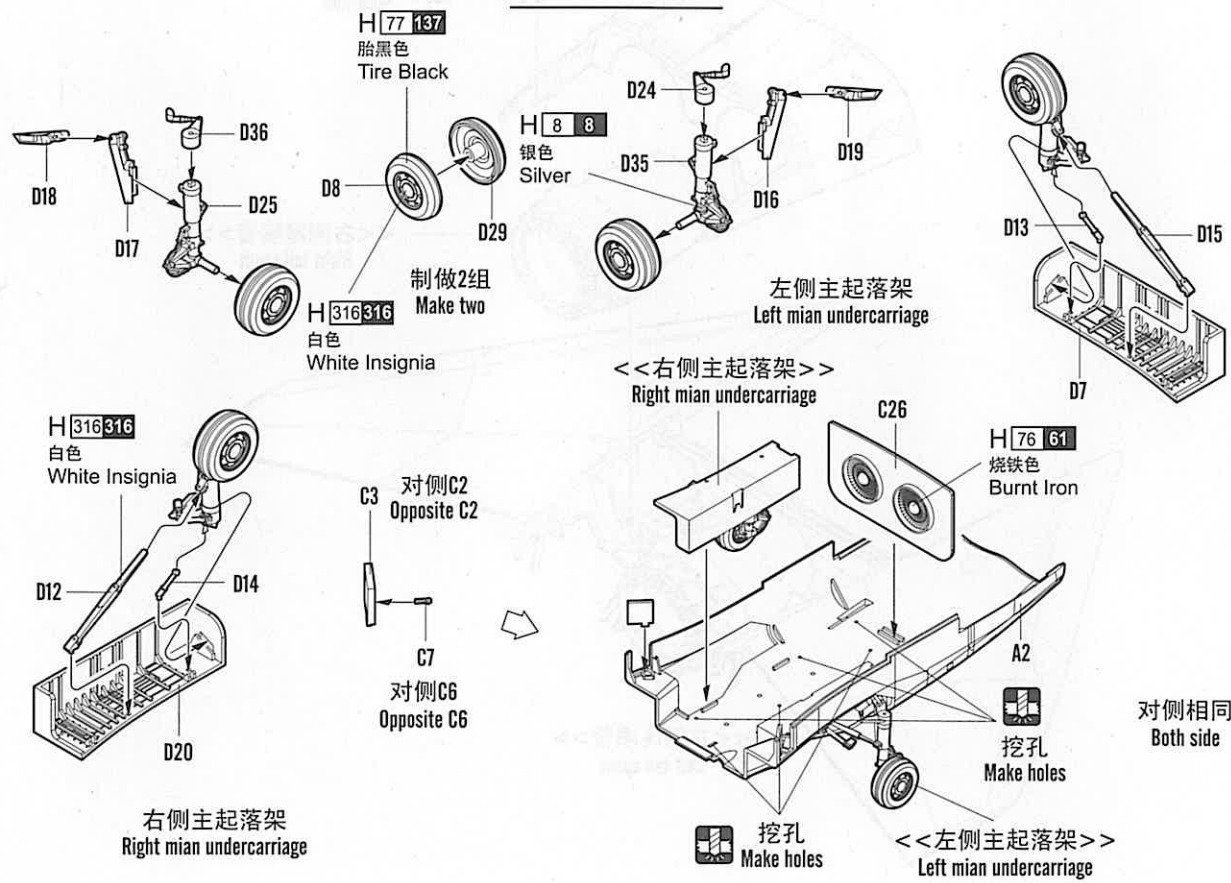
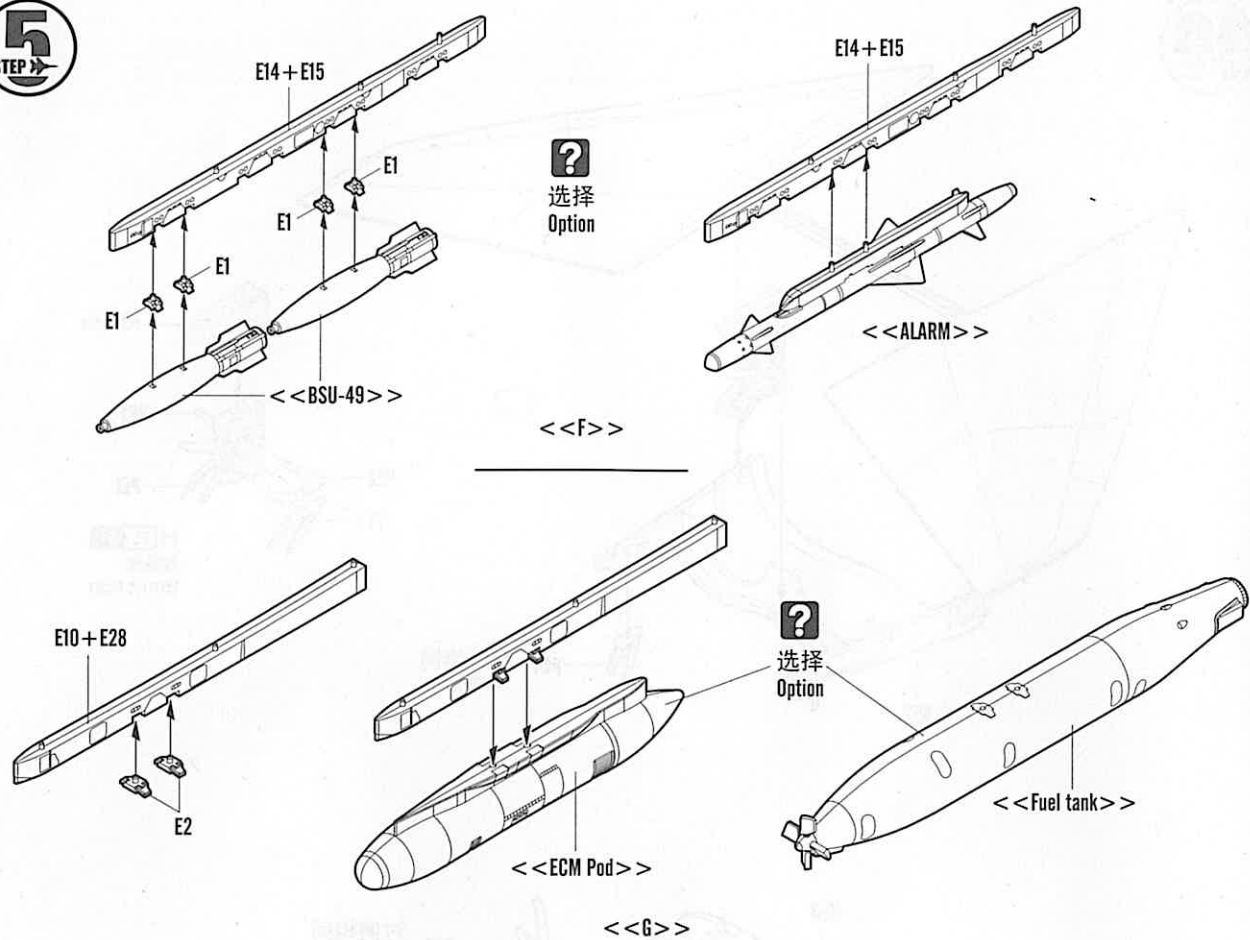
右侧机翼
Right wing



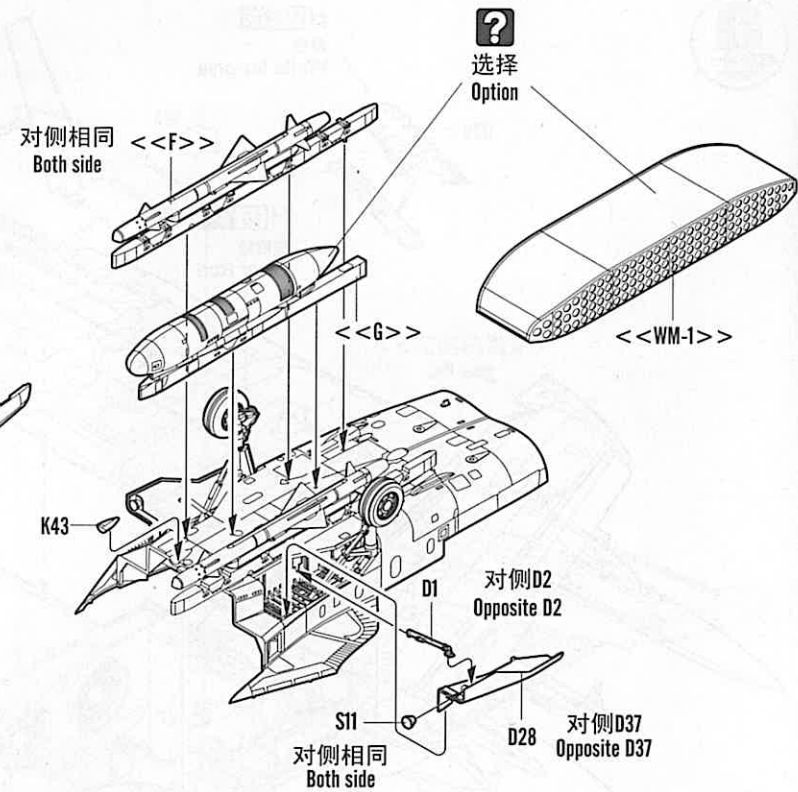
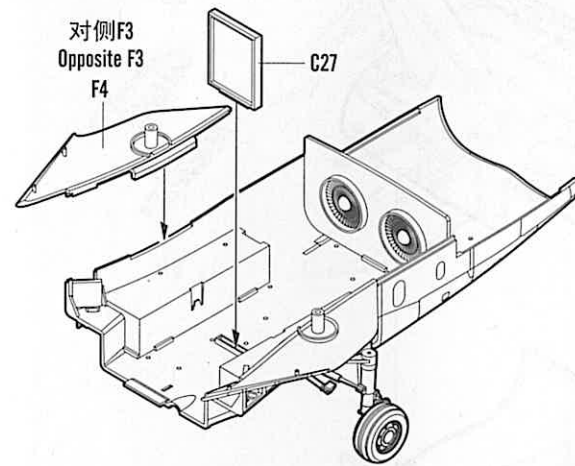
左侧机翼
Left wing



5 STEP

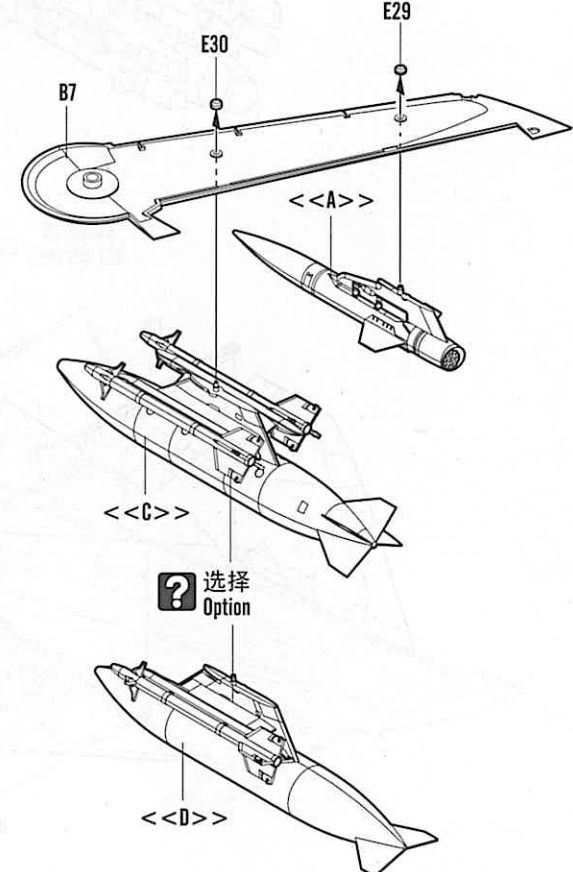
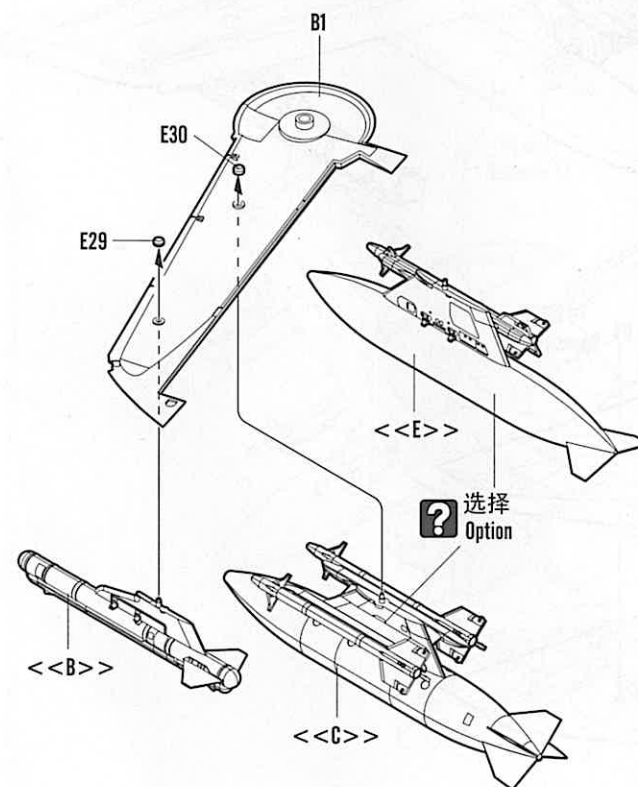


6 STEP

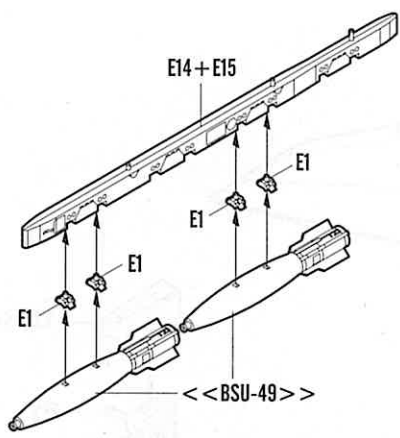


左侧机翼 Left wing

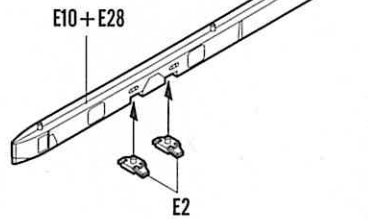
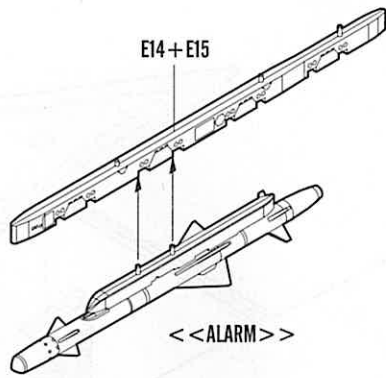
右侧机翼 Right wing



5 STEP

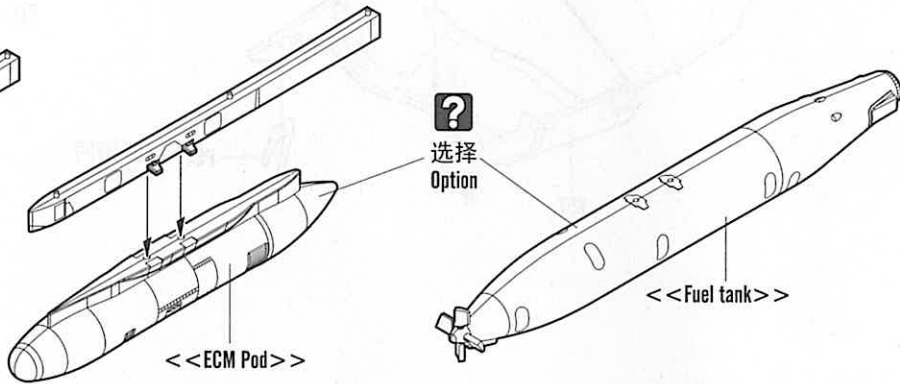


? 选择 Option



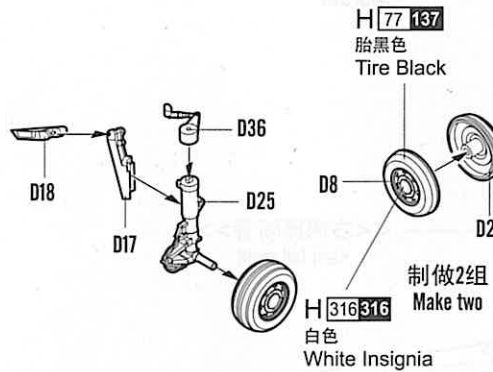
<<ECM Pod>>

? 选择 Option



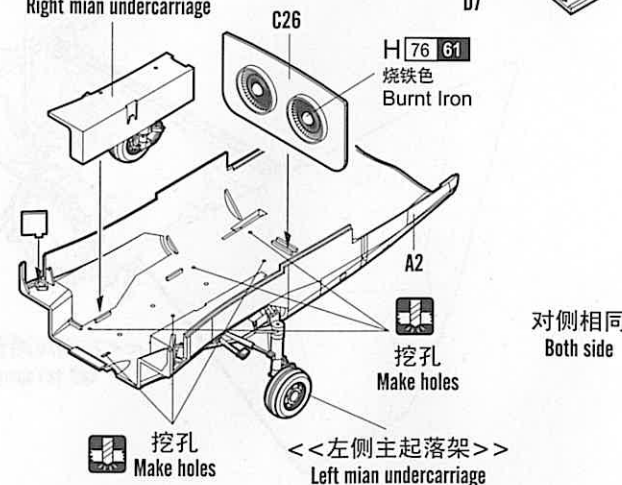
<<Fuel tank>>

<<G>>



左侧主起落架
Left main undercarriage

<<右侧主起落架>>
Right main undercarriage

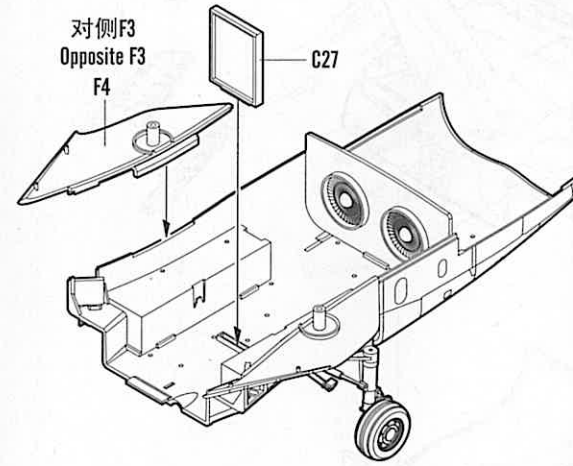


<<左侧主起落架>>
Left main undercarriage

对侧相同
Both side

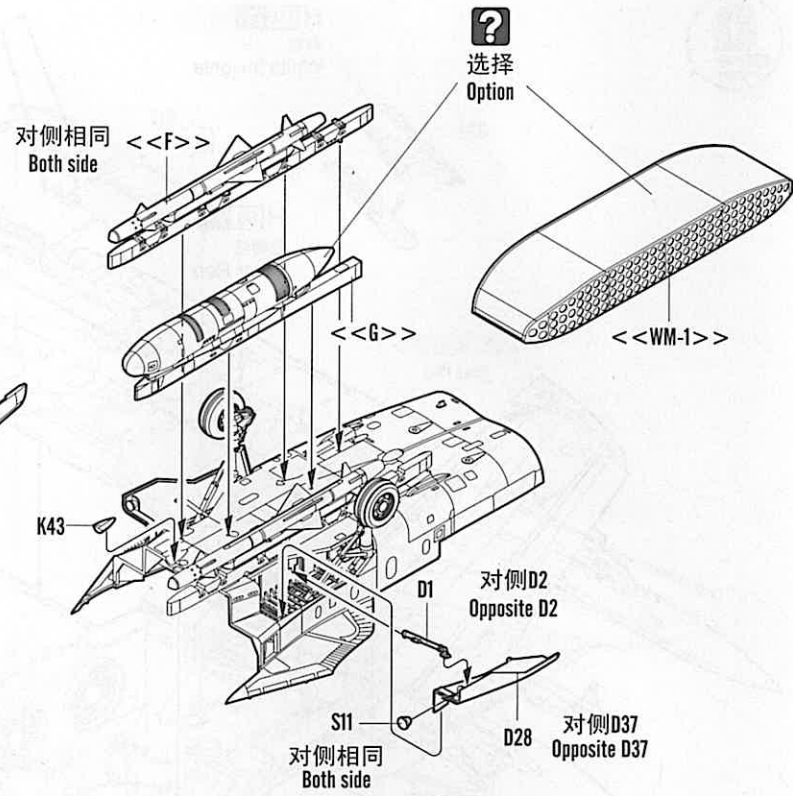
右侧主起落架
Right main undercarriage

6 STEP



对侧F3
Opposite F3

对侧相同
Both side



? 选择 Option

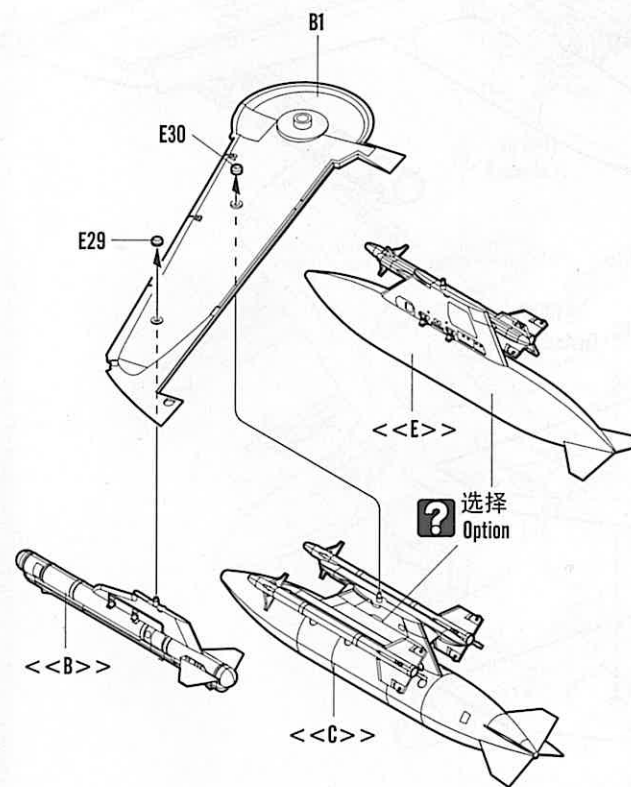
对侧D2
Opposite D2

对侧相同
Both side

对侧D37
Opposite D37

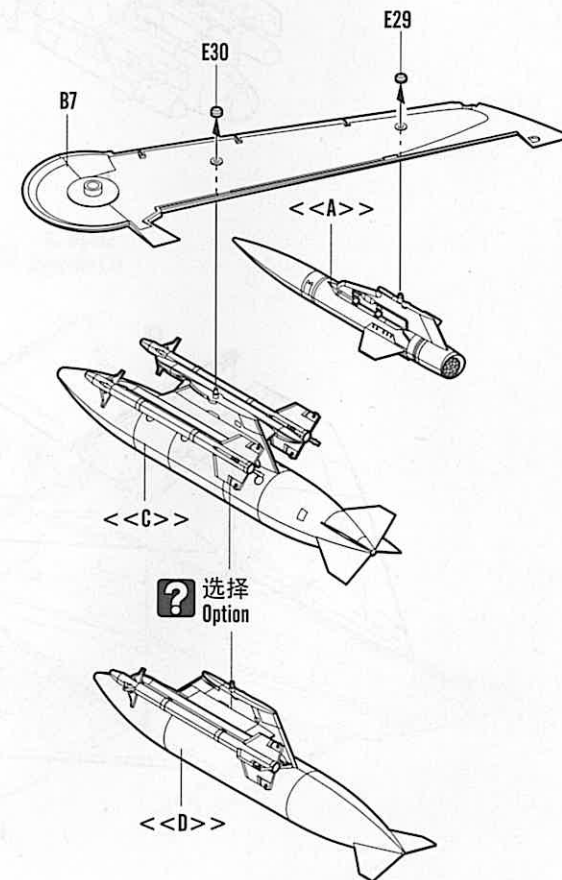
左侧机翼
Left wing

右侧机翼
Right wing



<<E>>

? 选择 Option

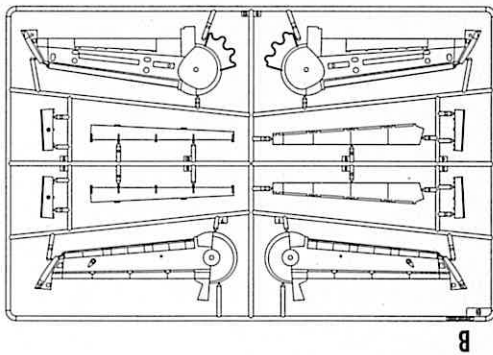


<<A>>

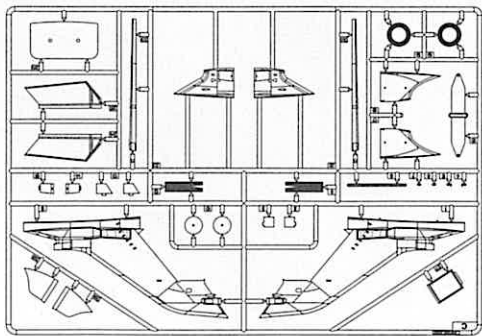
<<C>>

<<D>>

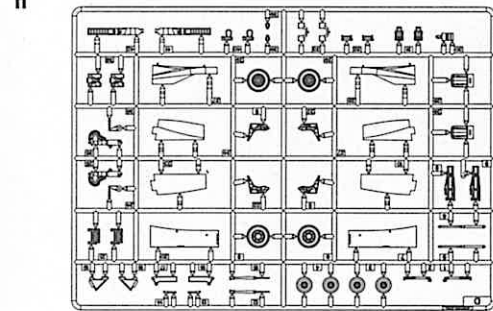
? 选择 Option



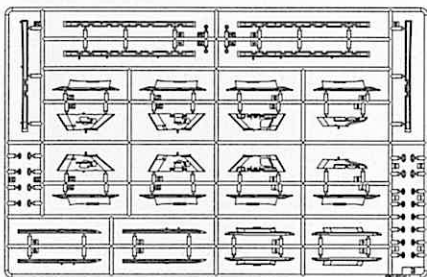
B



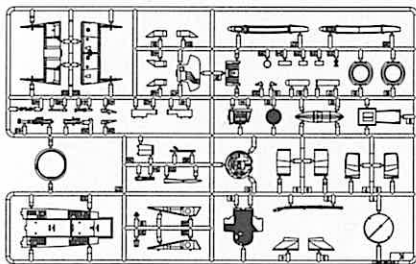
C



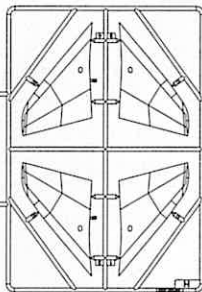
D



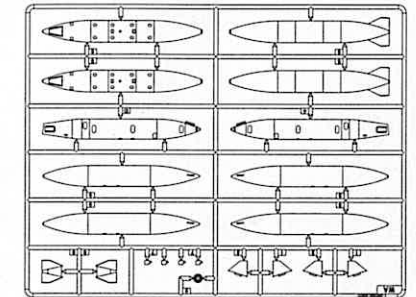
E



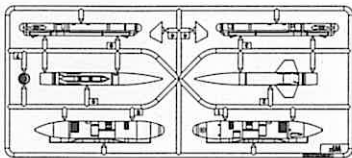
K



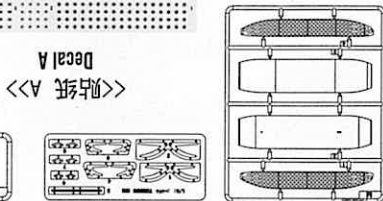
H



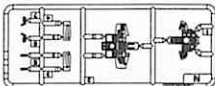
WA



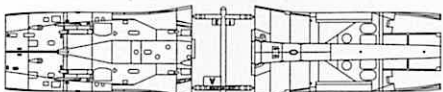
WF



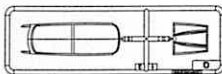
M



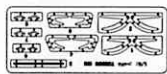
N



A



Q



O

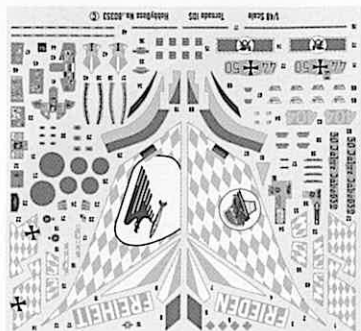
Photo etched parts

<<贴纸 A>>

<<贴纸 B>>

不用部件: K28 K29 S5 WE1 WE2 WE7 WE8 S7 S8

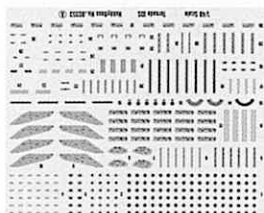
<<贴纸 C>>



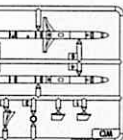
Decal C



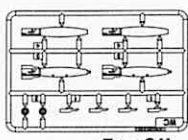
Decal B



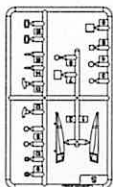
Decal A



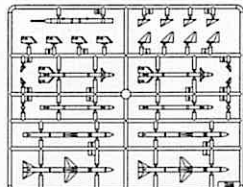
WD x 2



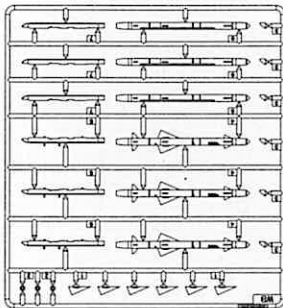
WC x 2



S



WE



WB x 2