



# Russian T-72B3M MBT

## 俄罗斯T-72B3M主战坦克

### READ BEFORE ASSEMBLY:

- Study and understand these instructions thoroughly before beginning assembly
- When needed, remove photo-etch parts carefully using a modeling knife or photo etch sprue cutter, being careful not to damage or lose small parts.
- Take extra care in handling photo etch parts in order to avoid injury
- Apply instant cement sparingly to photo etch parts where instructed
- Tools recommended(not included in kit):Plastic and instant cements, sprue cutters,long nose pliers,modeling knife, small files, tweezers, pin vise & scissors. Soft cloth and sandpaper will also assist in construction
- Glue and paint are not included in the kit. Use plastic cement and hobby paints only. Color guide for purchasing paint is included in the kit.

### 装配之前仔细阅读

- 小心用模型锉刀锉平所有零件表面的注射浇口。
- 小心用刀片切下蚀刻片零件，不要遗失小零件。
- 用强力快干胶水粘合蚀刻片零件和金属轴。过量快干胶水使用可能导致可动零件会粘住，小心涂胶。
- 取蚀刻片时应特别注意安全，防止利边划伤手指。
- 某些零件表面需贴水上贴纸，请选择在装配的同时进行。
- 推荐模型工具(自备)：胶水，水口剪刀，长咀钳，刀片，锉刀，镊子，钳，钻，剪刀，瞬间快干胶。
- 软布同砂纸同时也应该是必备工具。
- 请使用塑料胶水和油漆，模型内不含。



配重  
Weight



使用强力胶  
Cyanoacrylate glue



钻孔  
Make hole



切除  
Cut / Remove



贴纸  
Decal



锉平  
File / Sand



选择  
Option



不涂胶水  
No cement



弯曲  
Bend



先装  
Install it first

### 水贴纸的使用:

- 1.从水贴纸上剪下印花;
- 2.将印花放入温水中浸10秒,然后放在干净布上.
- 3.拿着印花纸板将印花移到模型上;
- 4.手指蘸水将印花移到适当的位置;
- 5.用软布轻压印花直至水干,汽泡消失

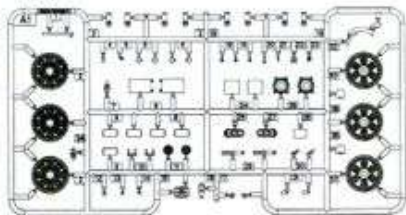
### DECAL APPLICATION

- 1.Cut decals from sheet as needed
- 2.Dip the decal in warm water for about 10 seconds and then place on soft clean cloth.
- 3.Hold the decal backing sheet edge and gently slide the decal onto the model in its proper position.

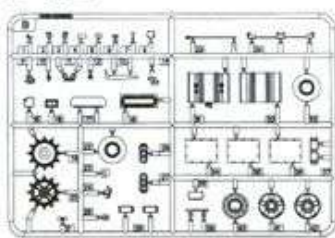
- 4.While still wet,decal can be adjusted for better fit on model by dampening it gently with your finger.
- 5.When placed in the proper position,gently press decal down with a soft cloth until excess water and air bubbles are gone.
- 6.Allow decal to dry completely before handling model

# 部品图Parts

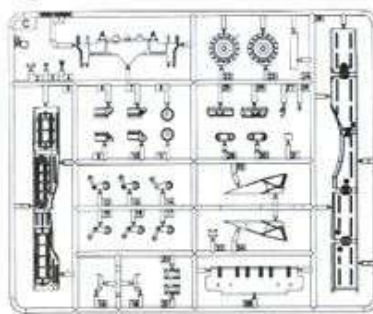
Ax4



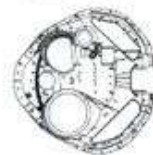
B1x2



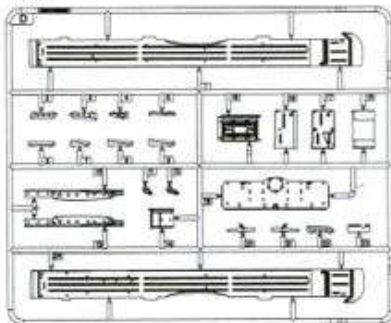
C



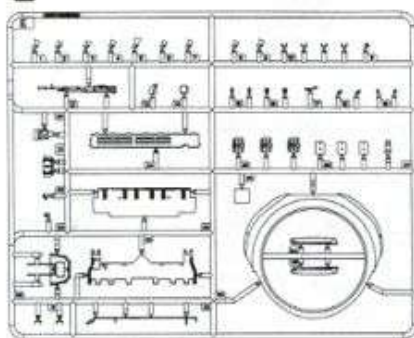
《炮塔》S1  
Turret S1



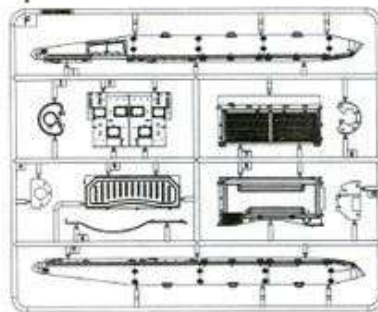
D



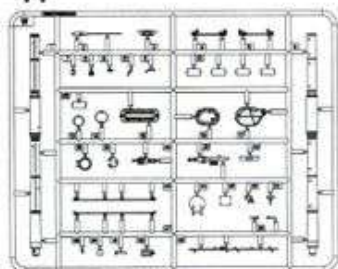
E



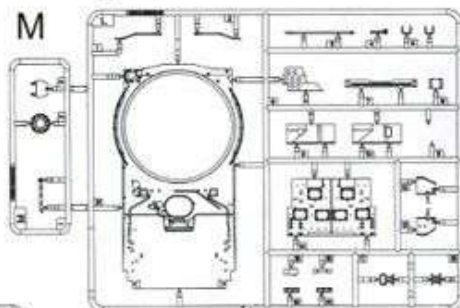
F



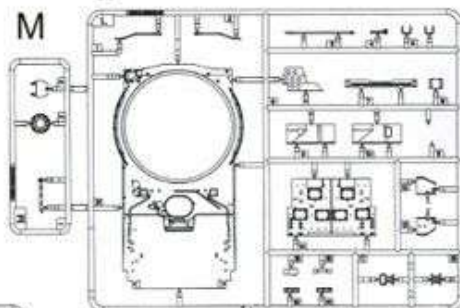
W



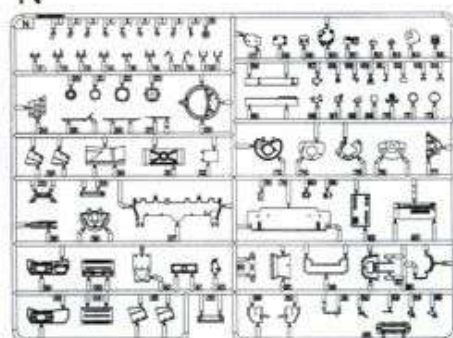
M



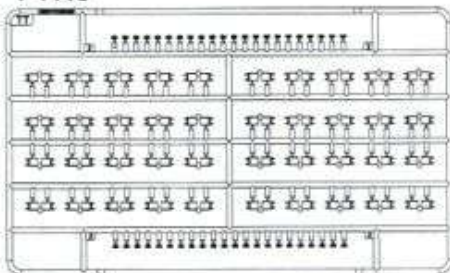
L



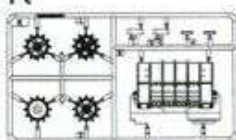
N



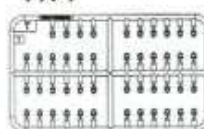
TTx8



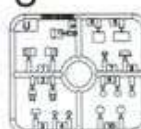
K



Tx4



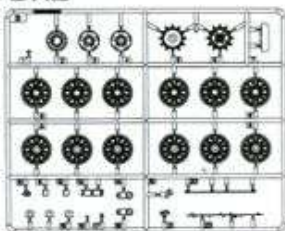
U



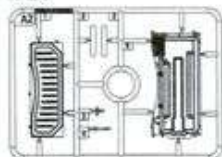
P



Bx2



A2



《铜丝》 $\varnothing 0.8 \times 250\text{MM}$   
Copper wire



《铜线》 $\varnothing 0.8 \times 250\text{MM}$   
Brass wire



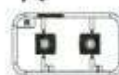
软管  
Vinyl tube



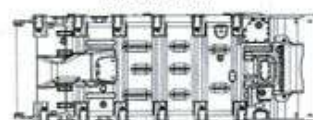
《轮塞》  
Polycap



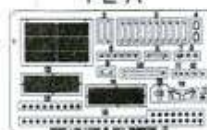
R



《车底》  
Lower hull



《蚀刻片》Ax2  
PE-A



《蚀刻片》B  
PE-B

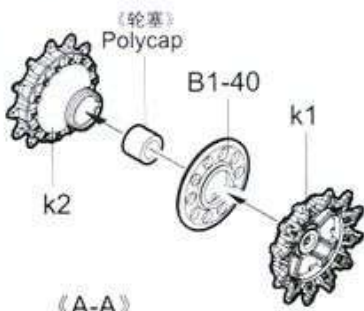


《水贴》  
Decal

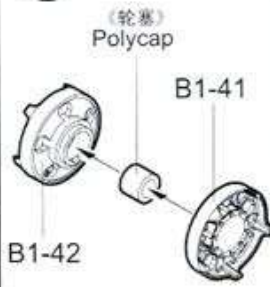


不用部件:  
Unused parts

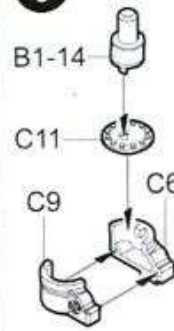
- A2 A3 A31.A33.B1.B2.B3.B4.B5.B6.B7.B10.B11.B12.B13.B14.B15.  
B16.B17.B18.B19.B20.B21.B22.B1-2.B1-3.B1-4.B1-9.B1-11.B1-15.  
B1-16.B1-18.B1-21.B1-23.B1-28.B1-29.B1-30.B1-38.C3.C4.C20.C21.  
C28.C31.C33.D2.F2.F3.F4.F8.F10.E25.E26.K2.K3.K4.K5.N1.N2.N3.  
N4.N5.N6.N7.N8.N14.N15.N19.N22.N23.N24.N26.N27.N30.N33.N37.  
N40.N41.N46.N47.N48.N49.N50.N51.N52.N53.N54.N55.N62.N63.  
N67.N68.N69.N70.N71.N79.N80.N81.N82.N84.N85.N87.N88.N94.  
N96.U7.U10.P1.P3.PE-B20.

**1**

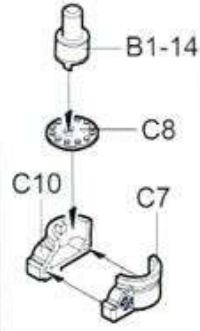
《A-A》  
《制作2组》  
Make two

**2**

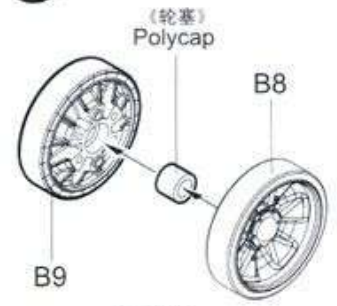
《B-B》  
《制作2组》  
Make two

**3**

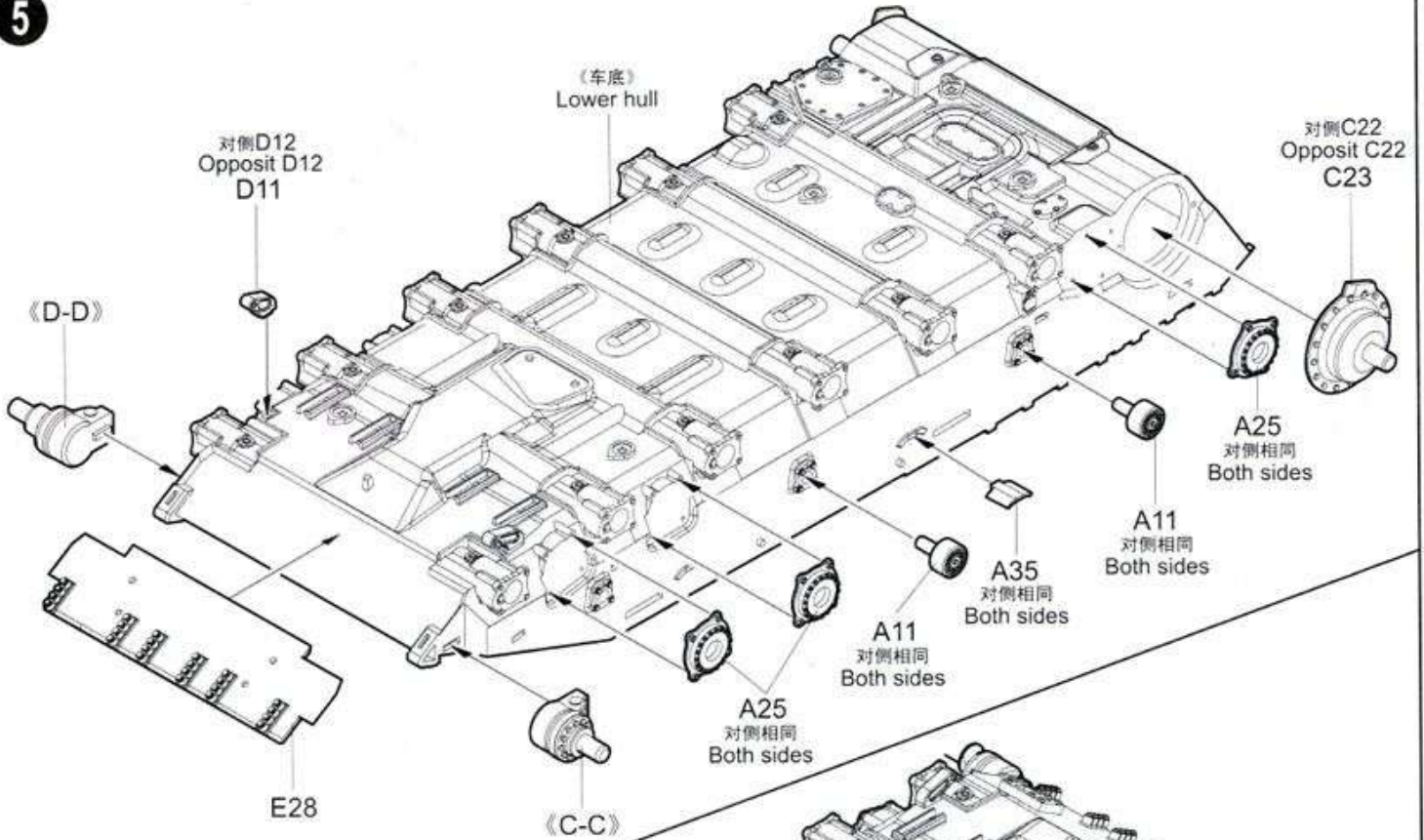
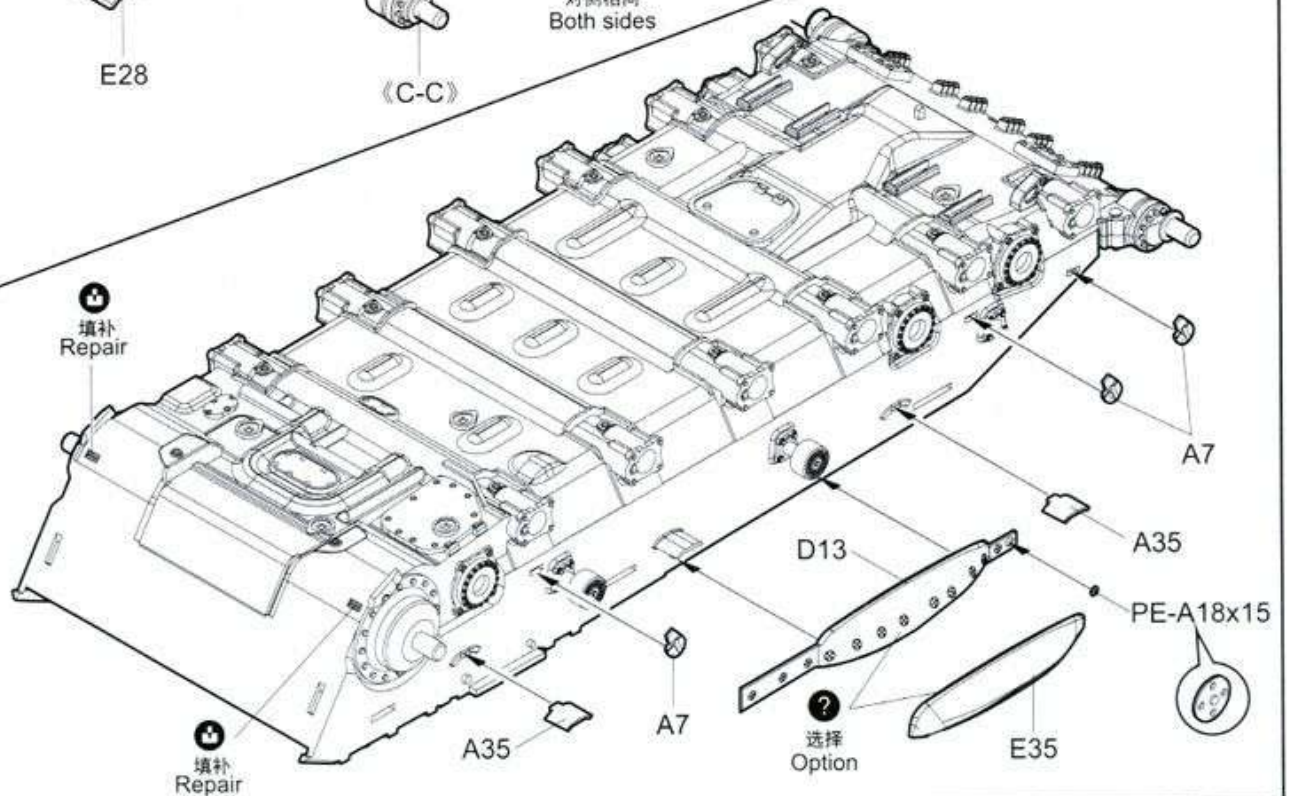
《C-C》

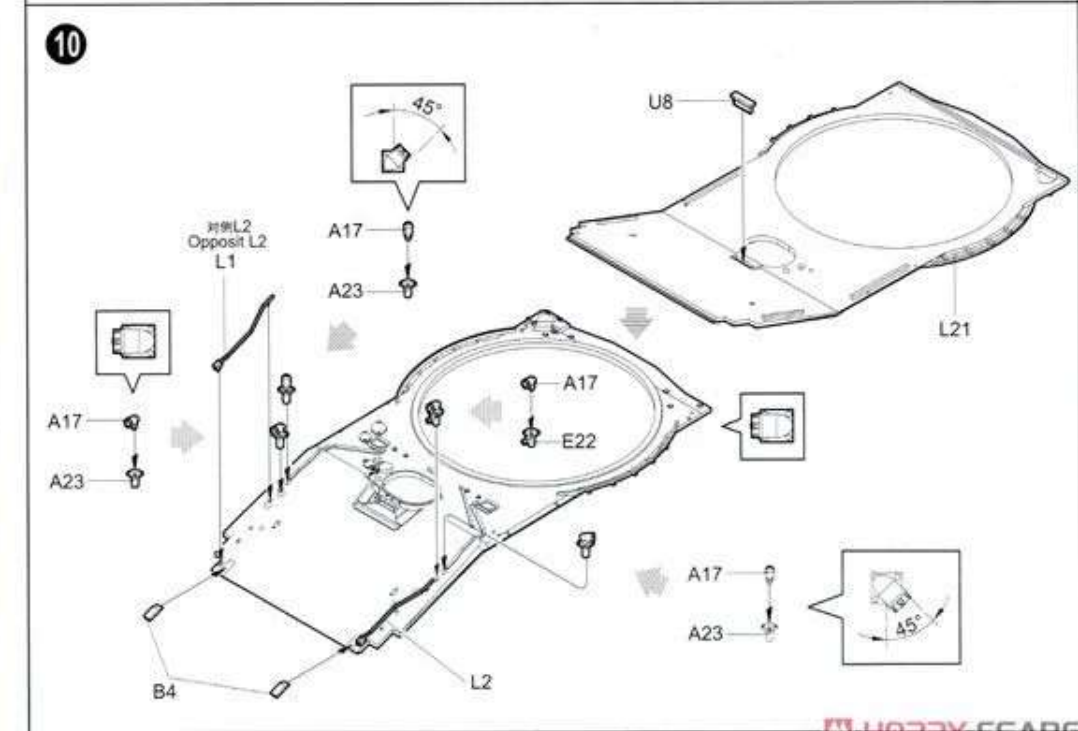
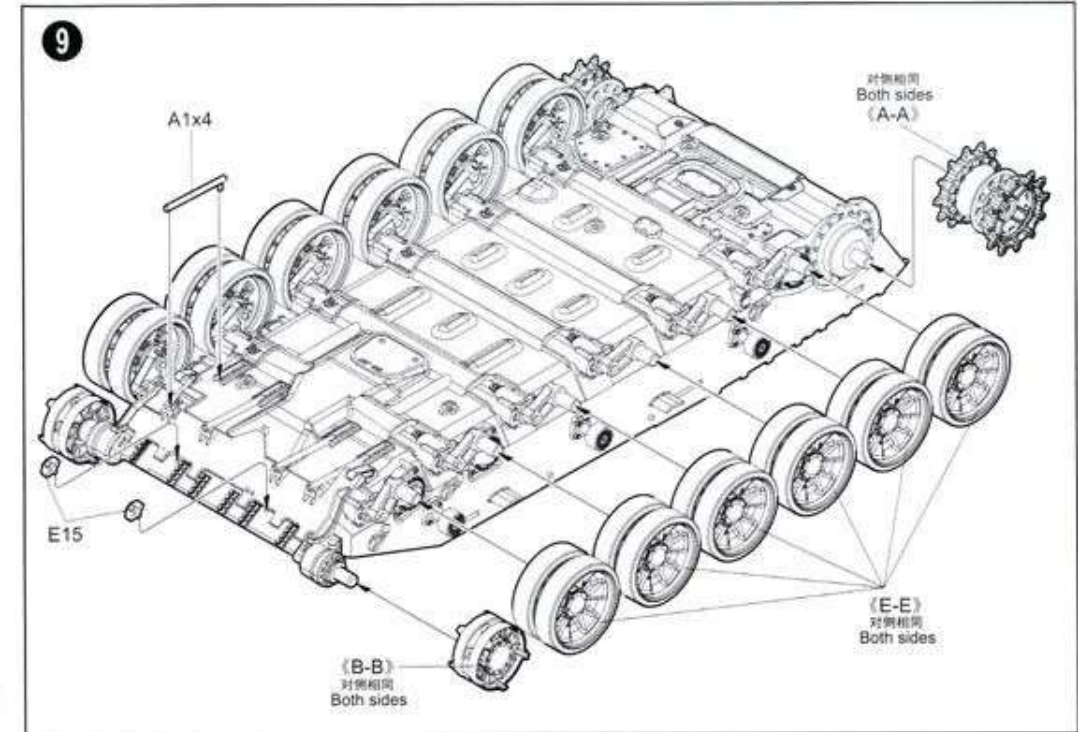
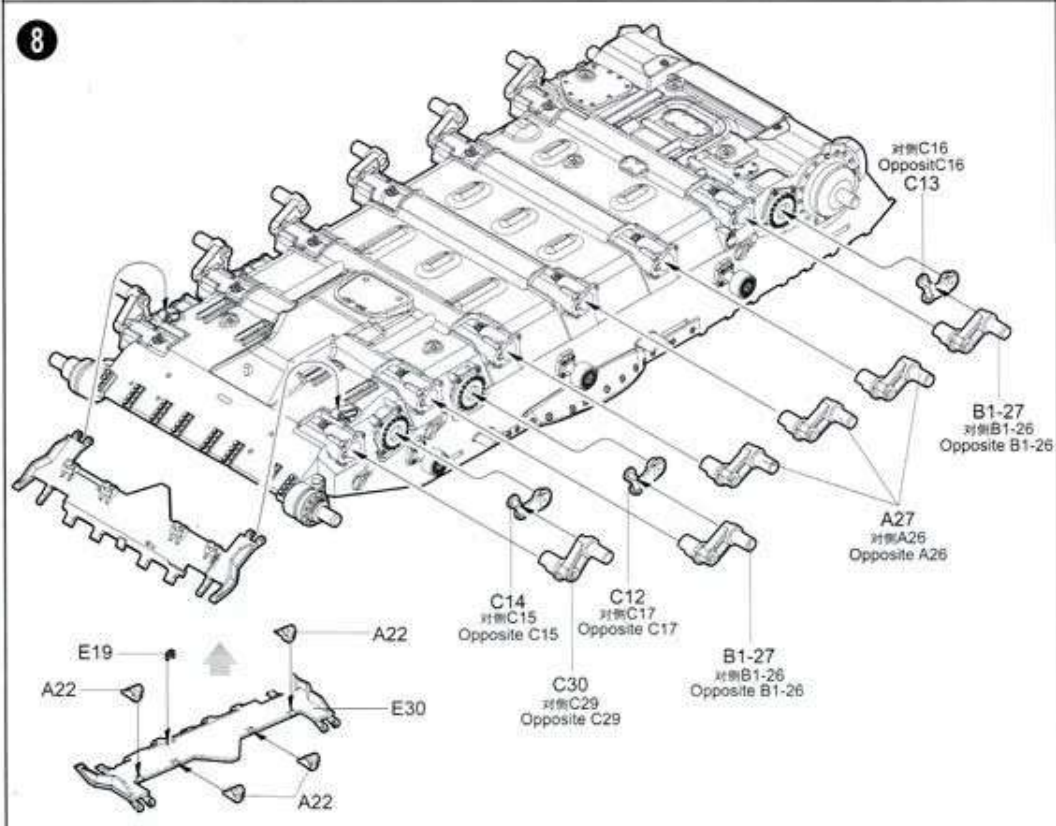
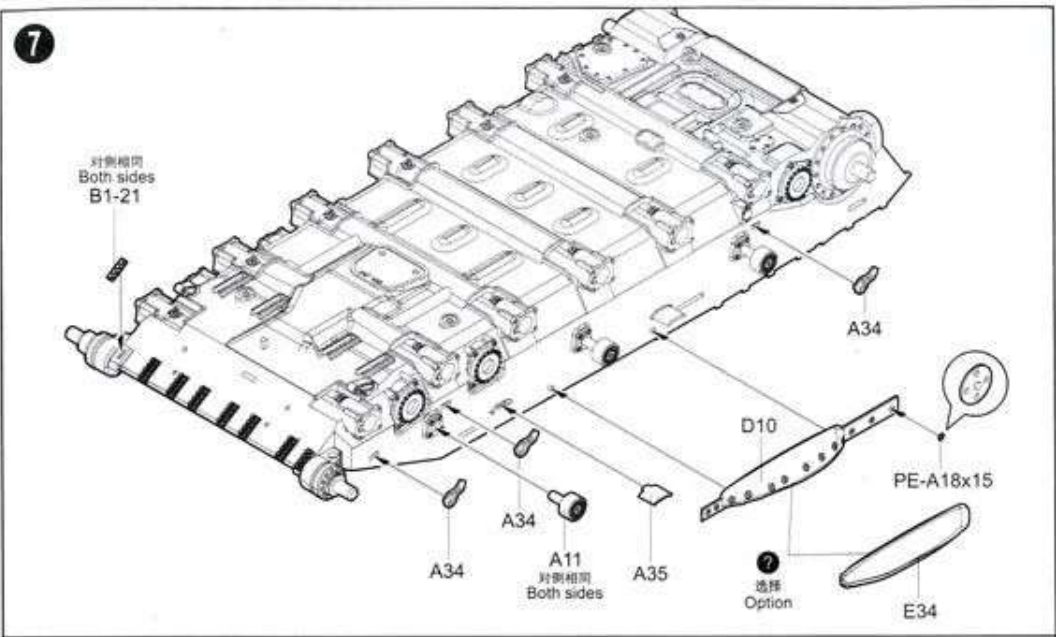


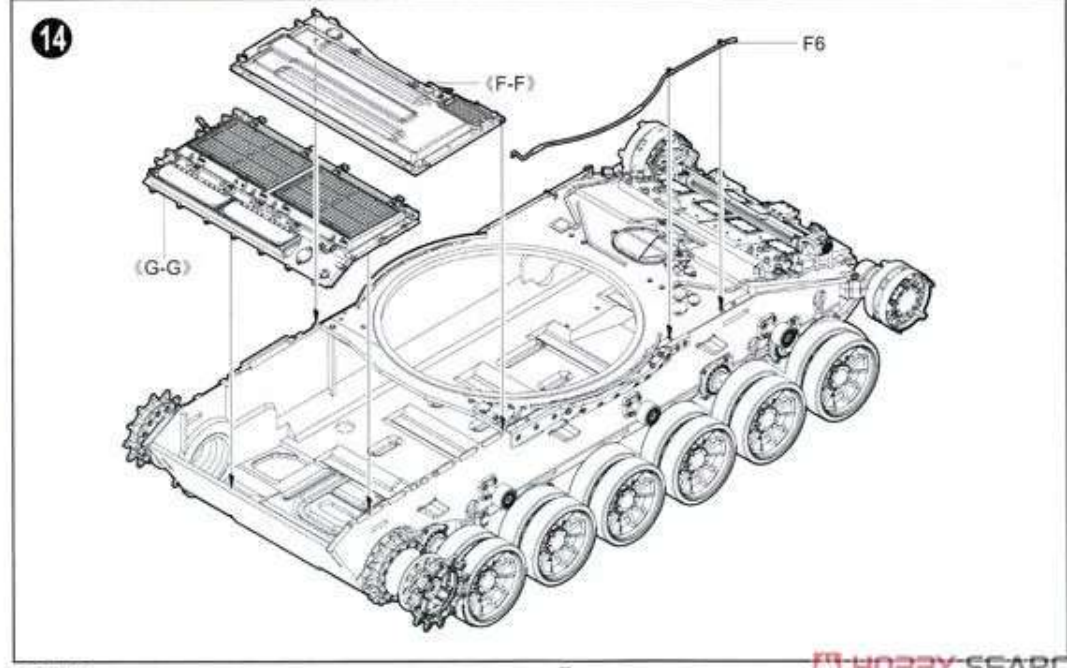
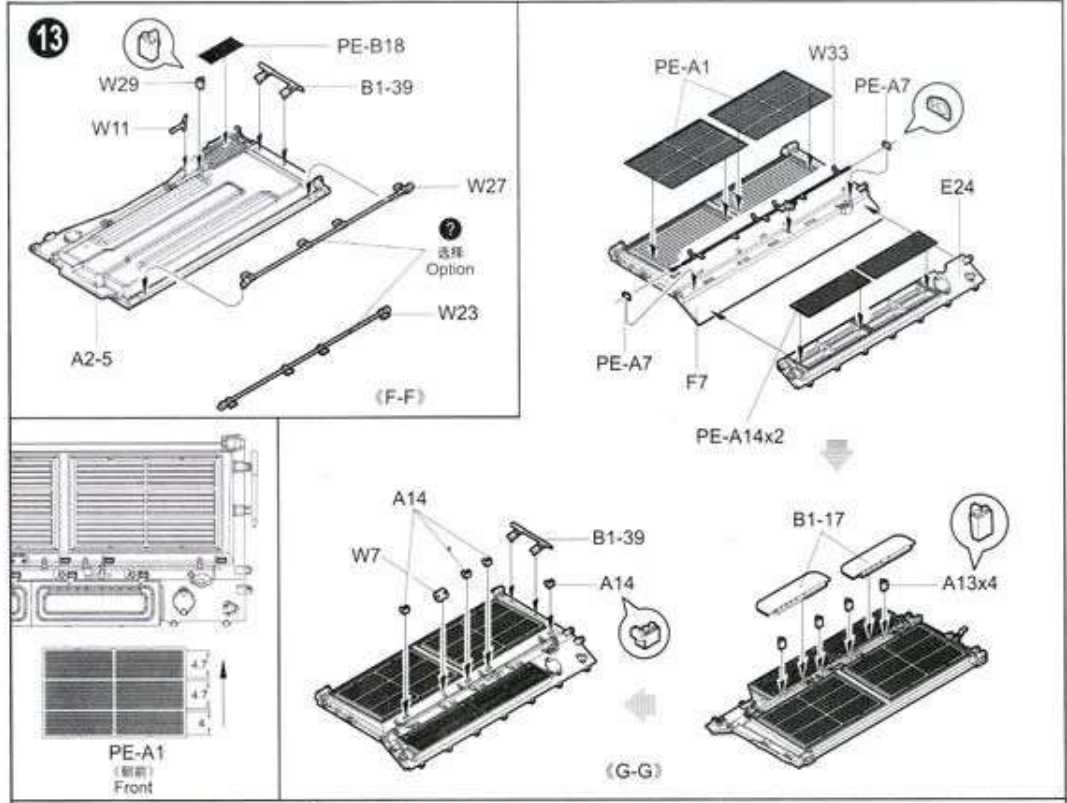
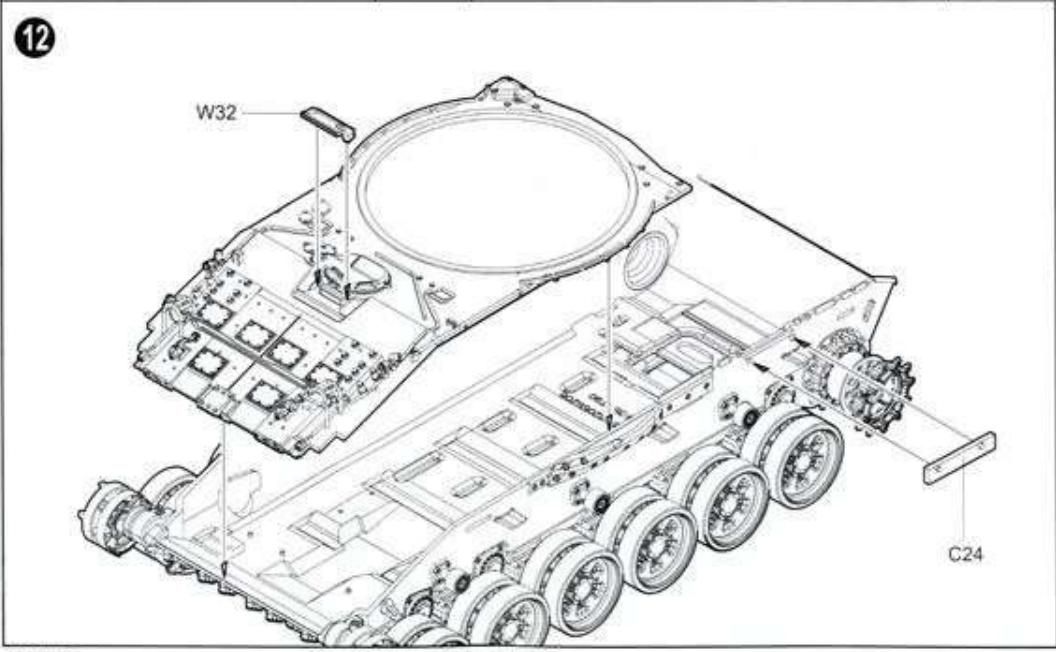
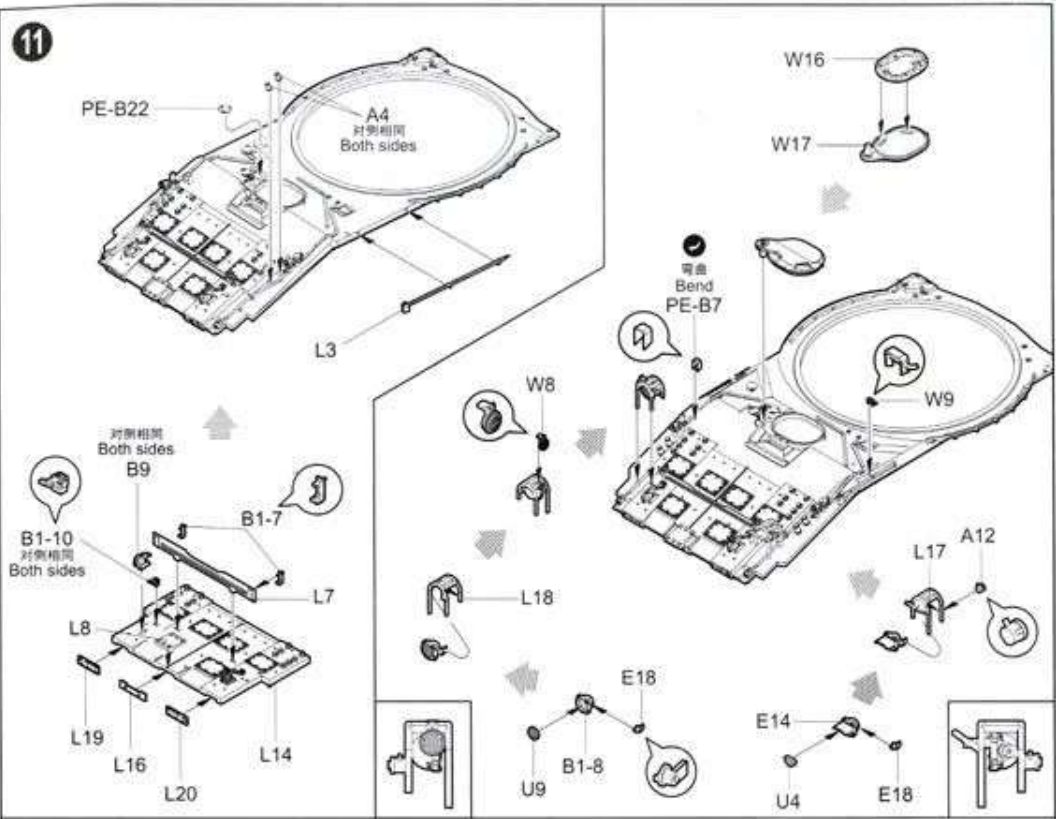
《D-D》

**4**

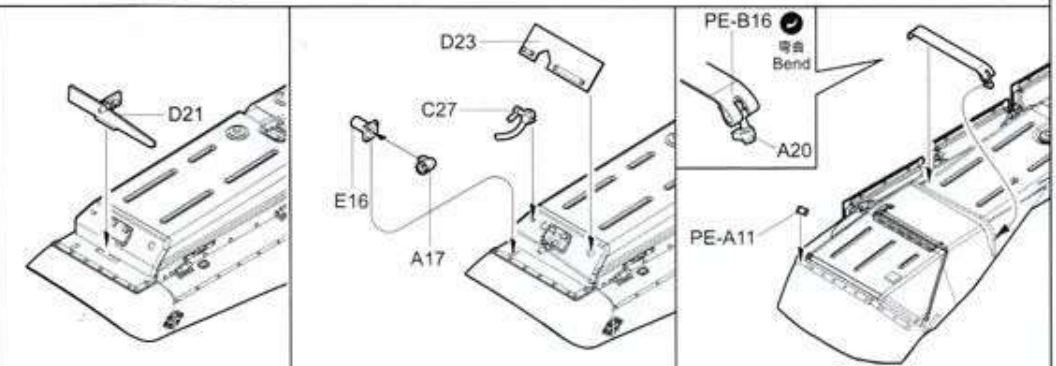
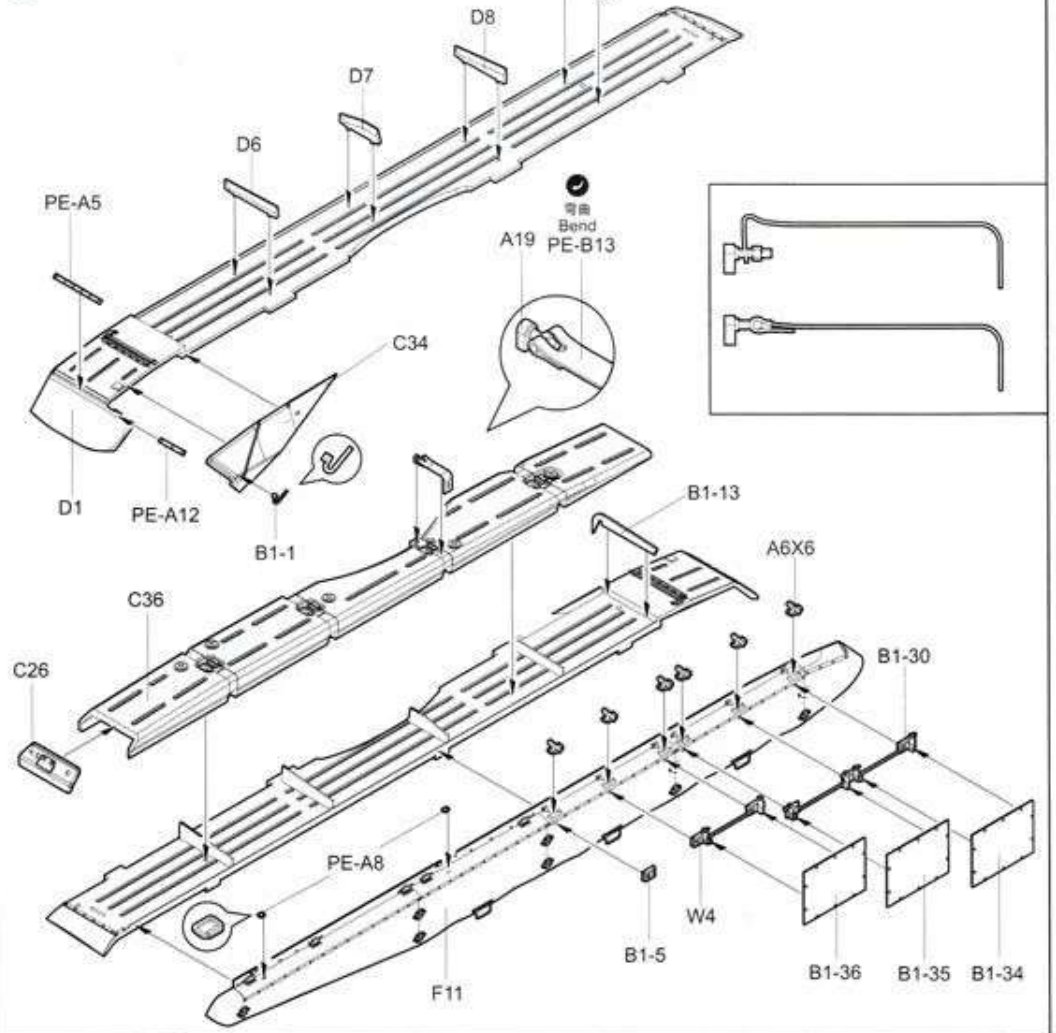
《E-E》  
《制作12组》  
Make twelve

**5****6**

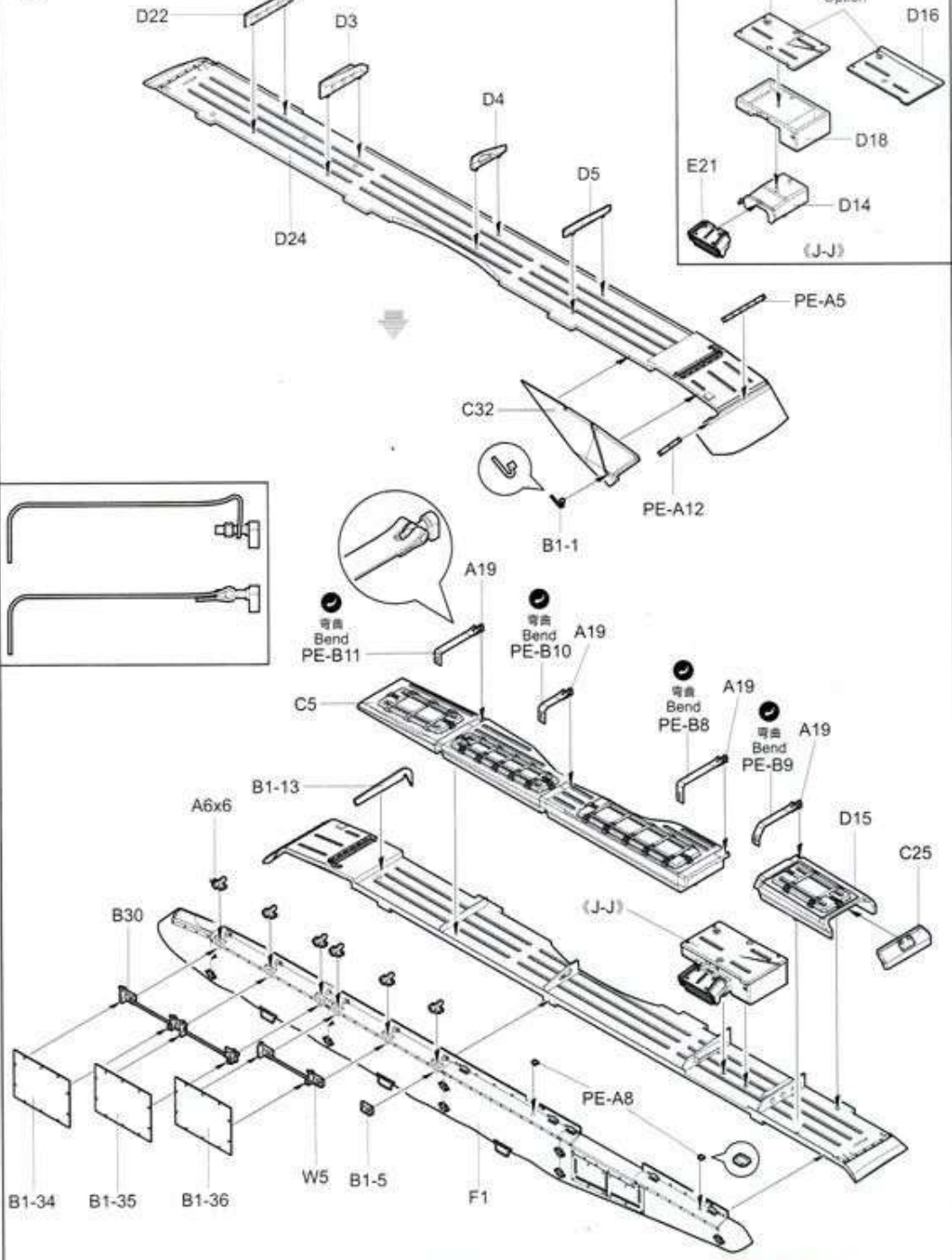




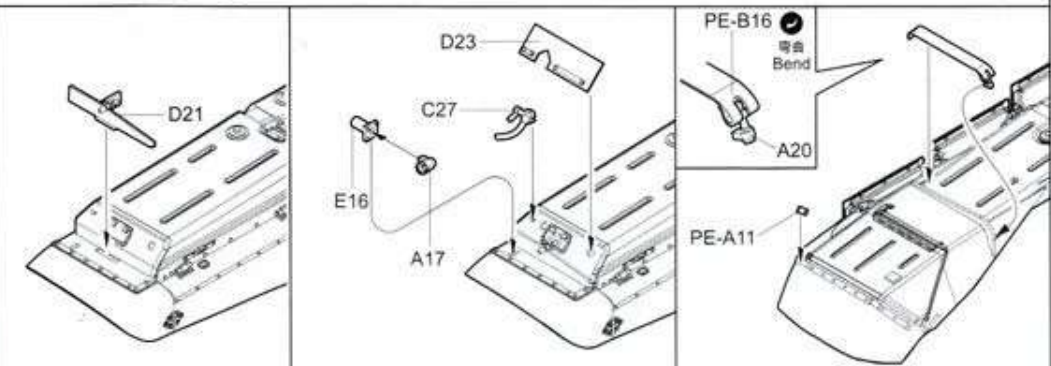
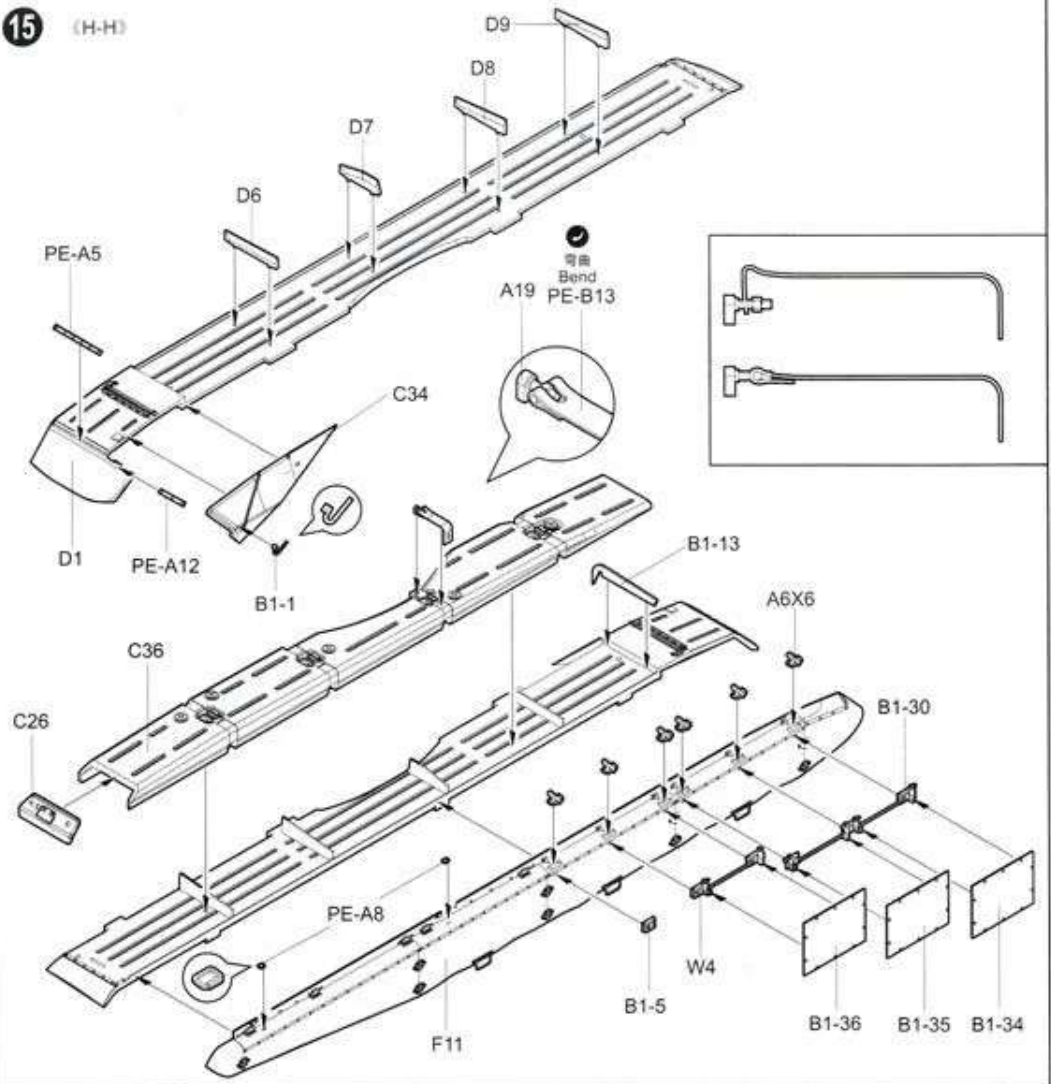
15 (H-H)



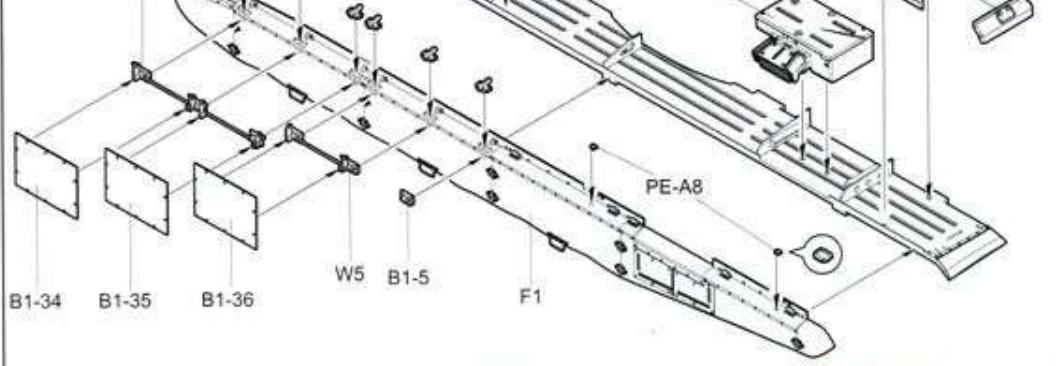
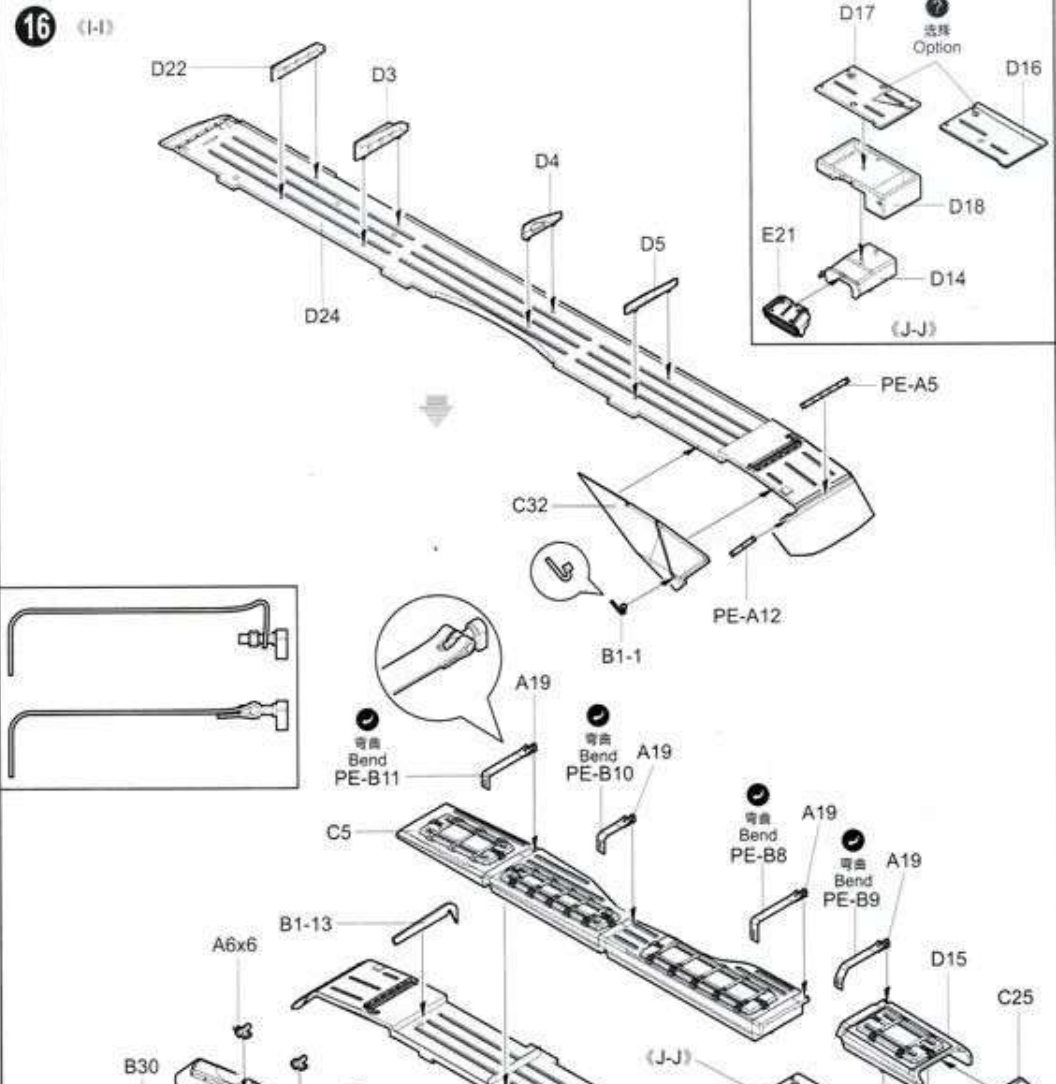
16 (I-I)



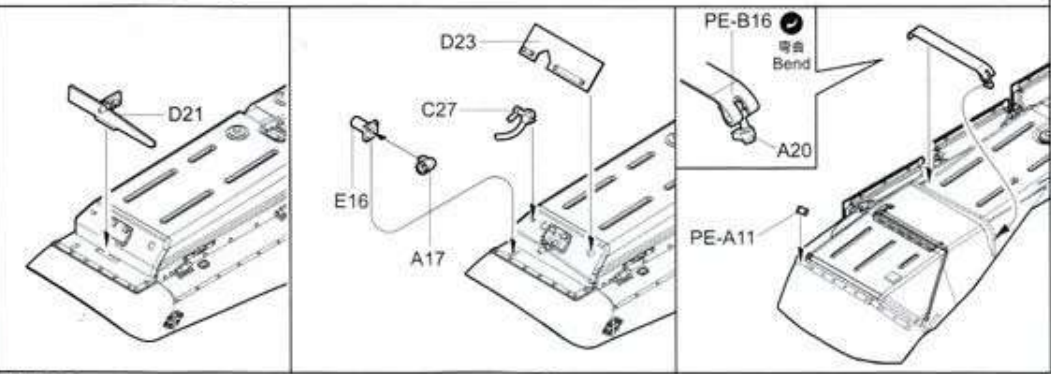
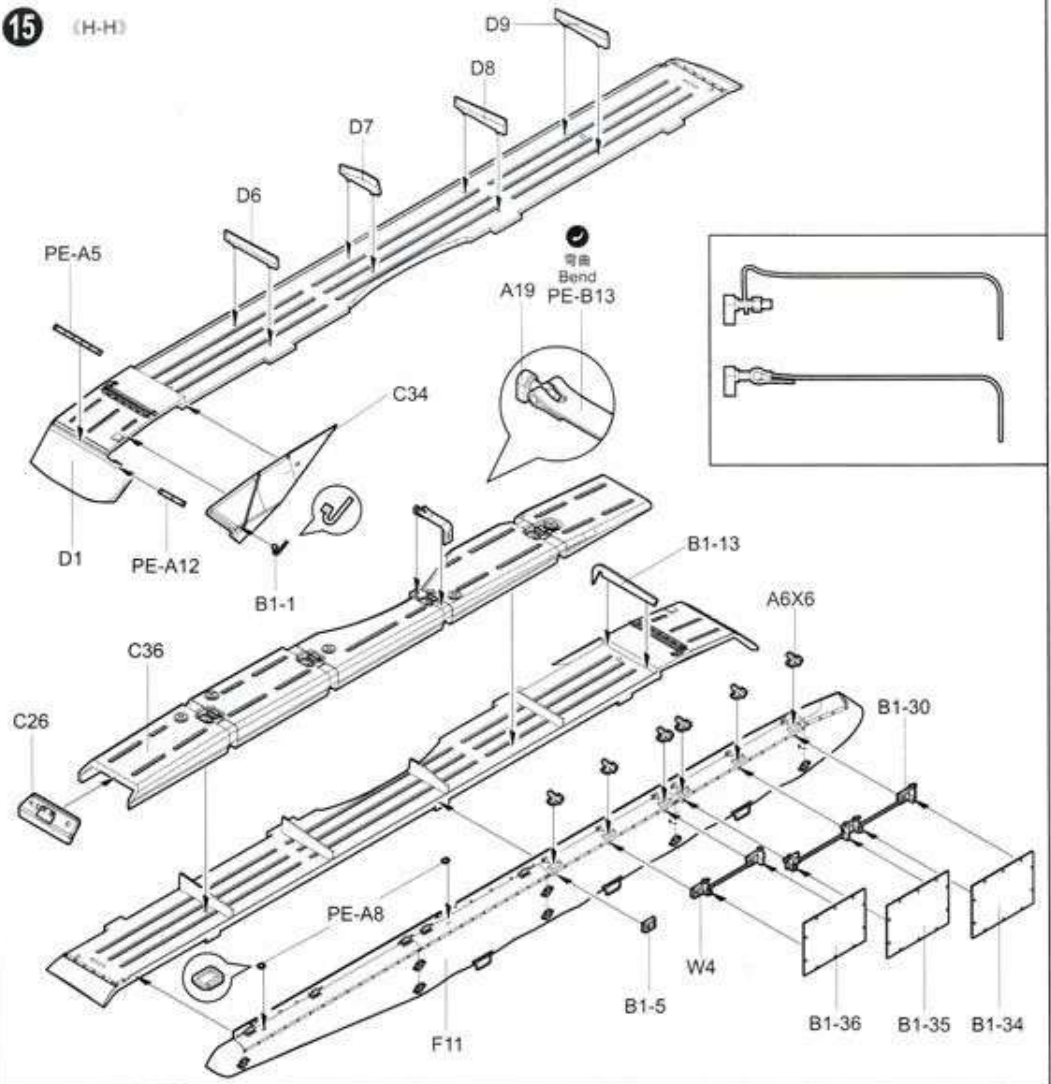
15 (H-H)



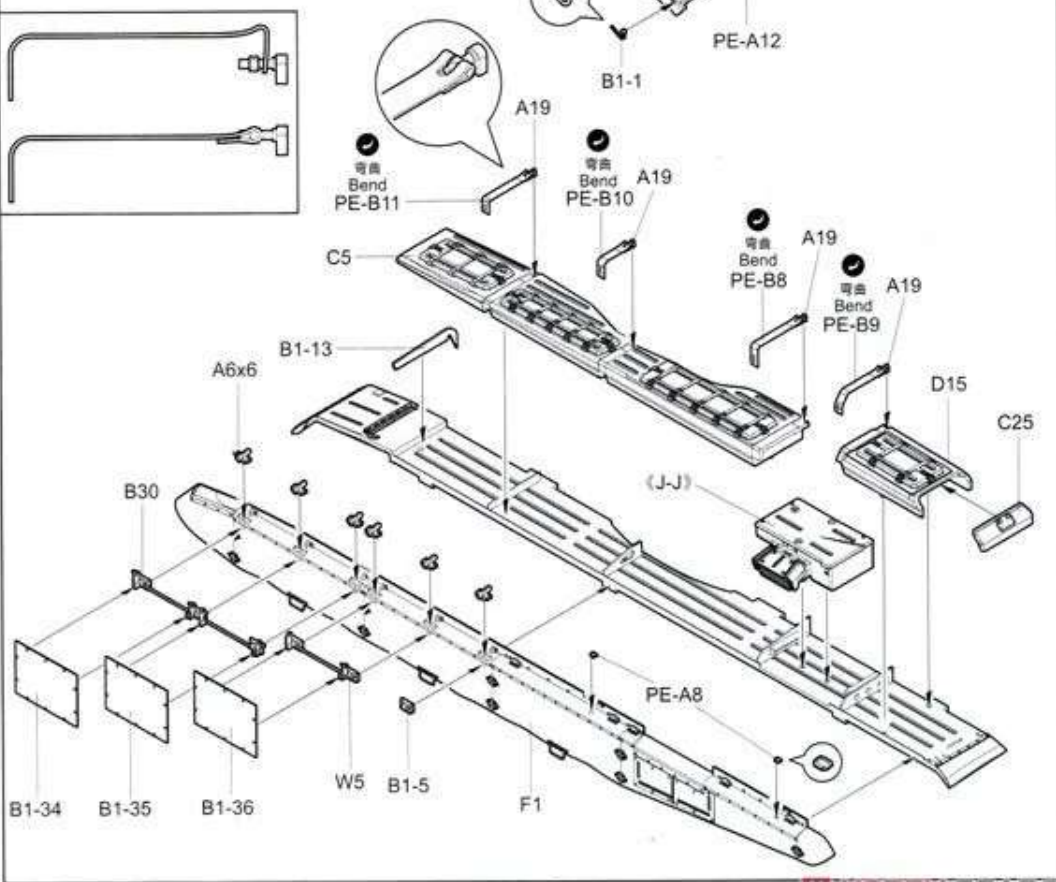
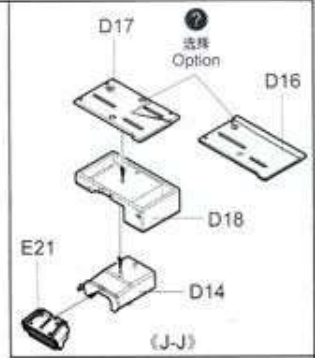
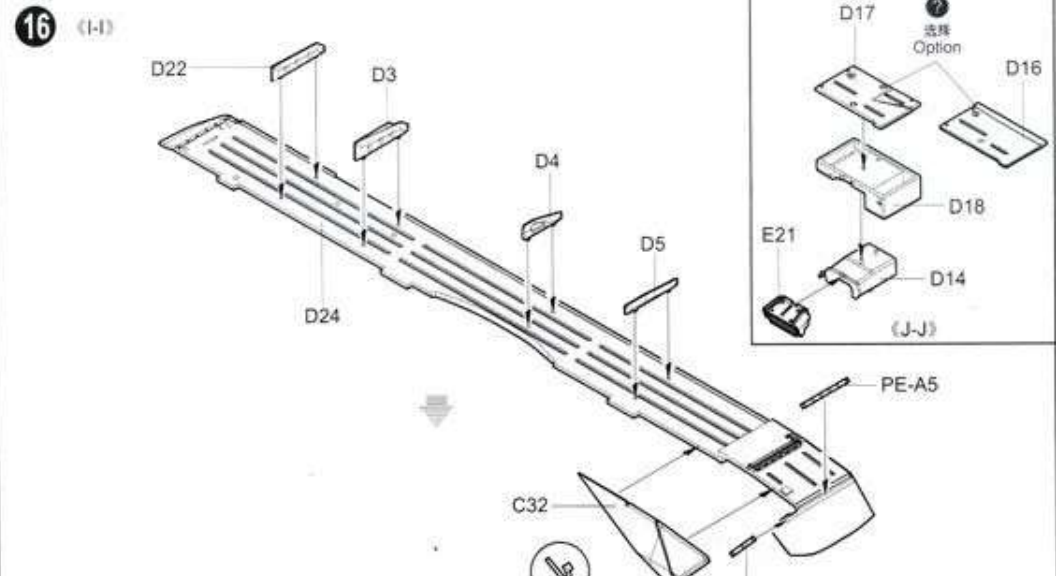
16 (I-I)



15 (H-H)

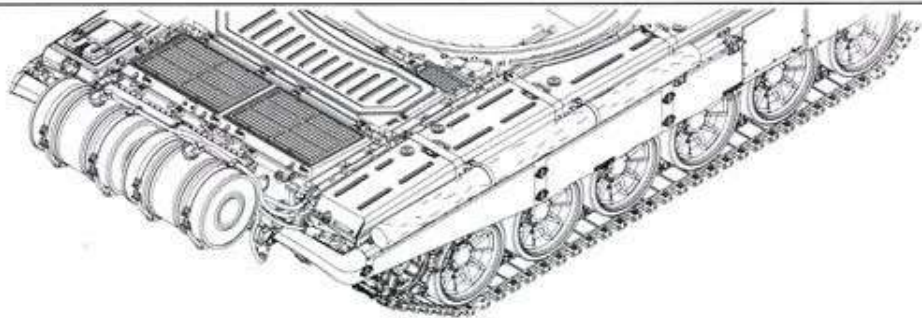
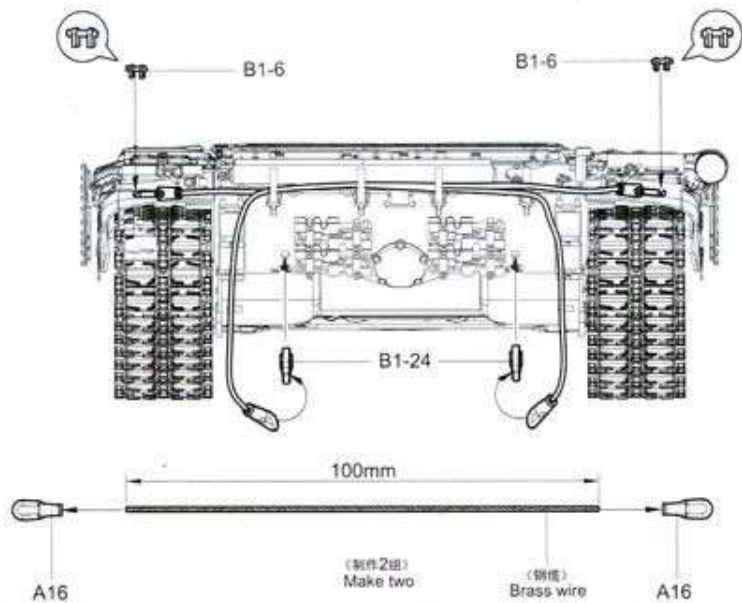


16 (I-I)

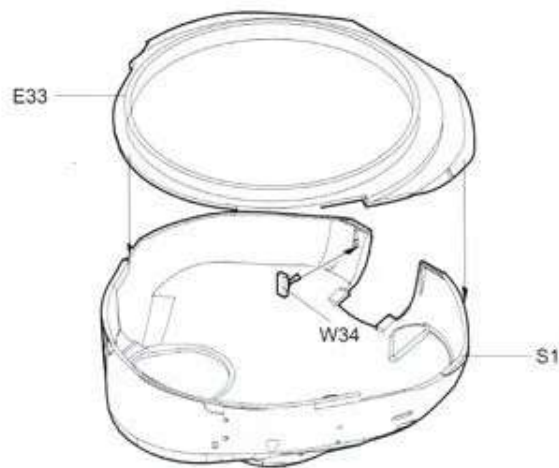




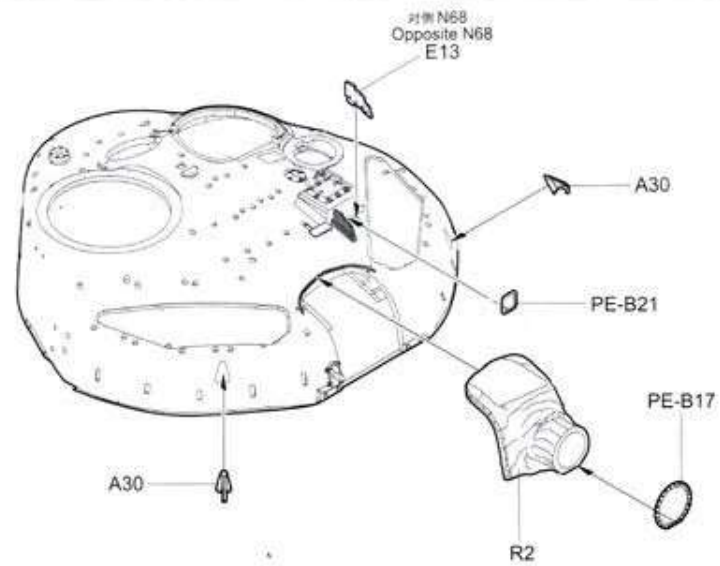
24



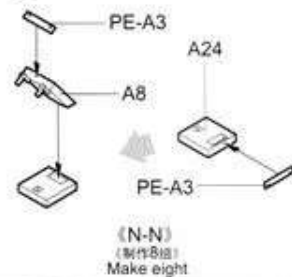
25



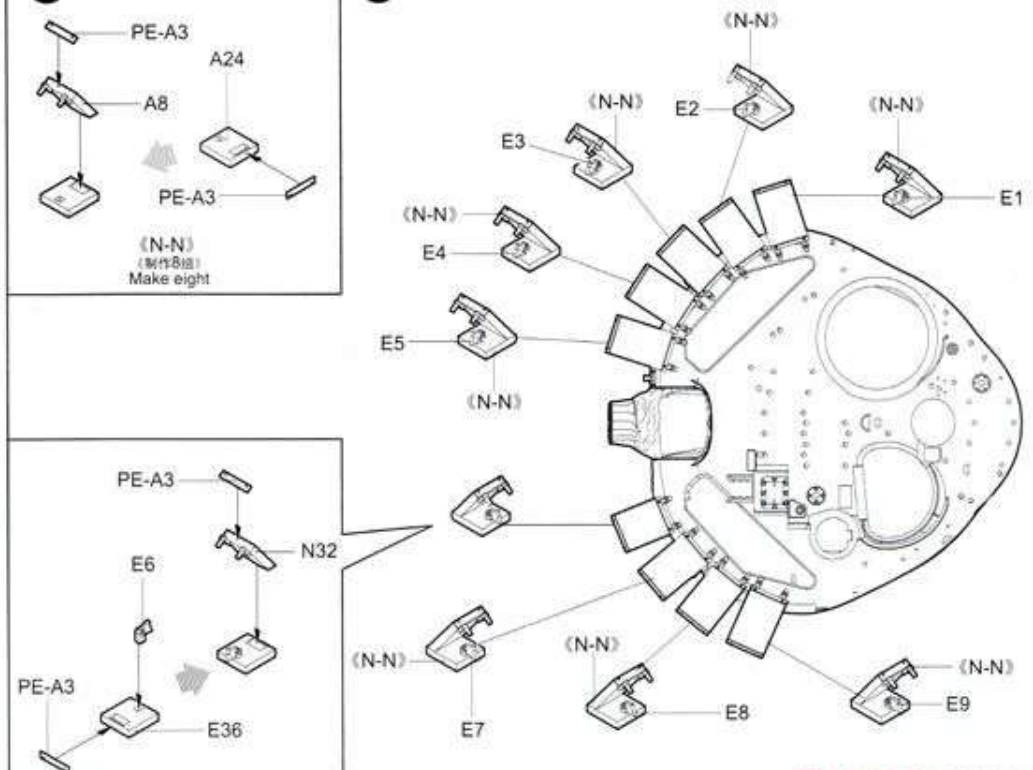
26



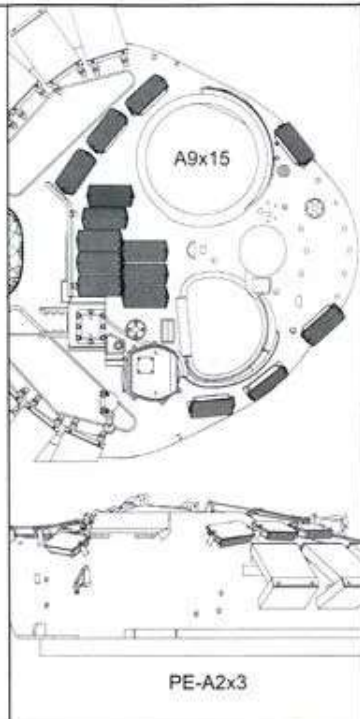
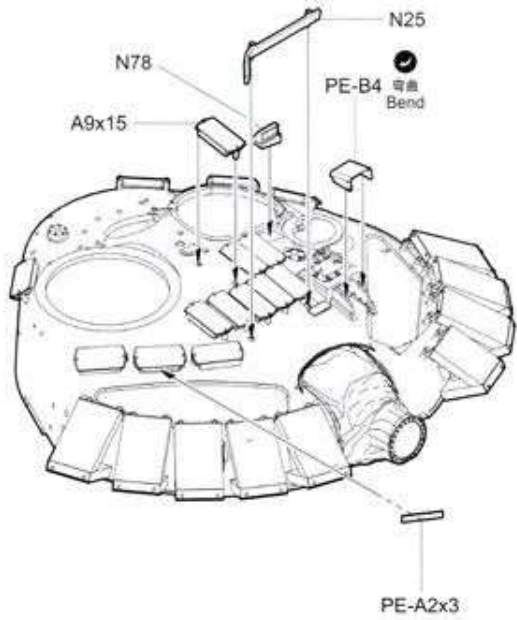
27



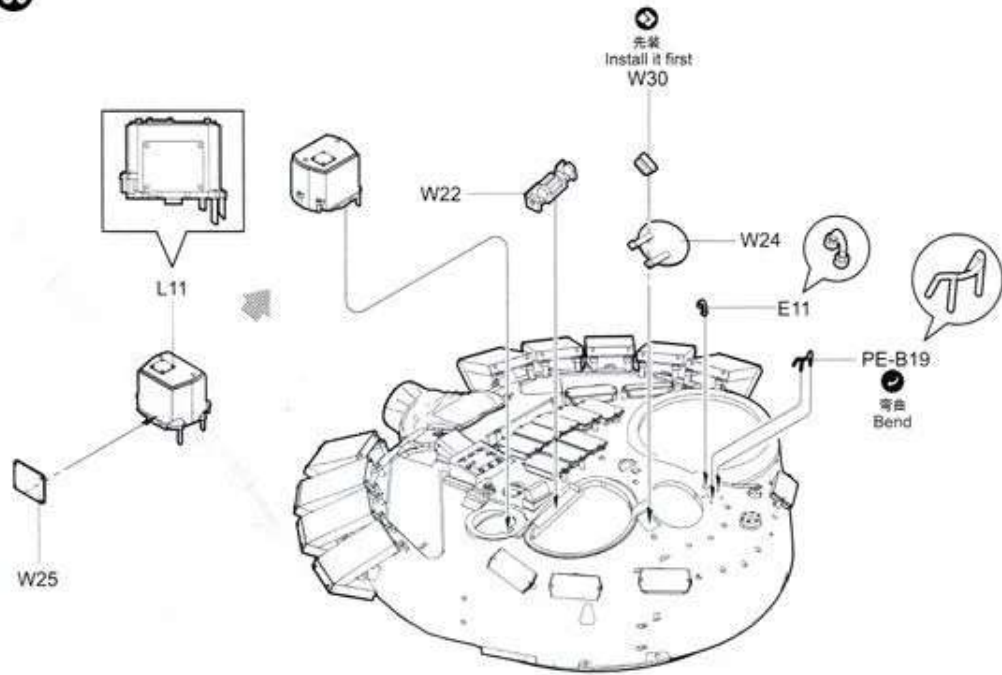
28



29



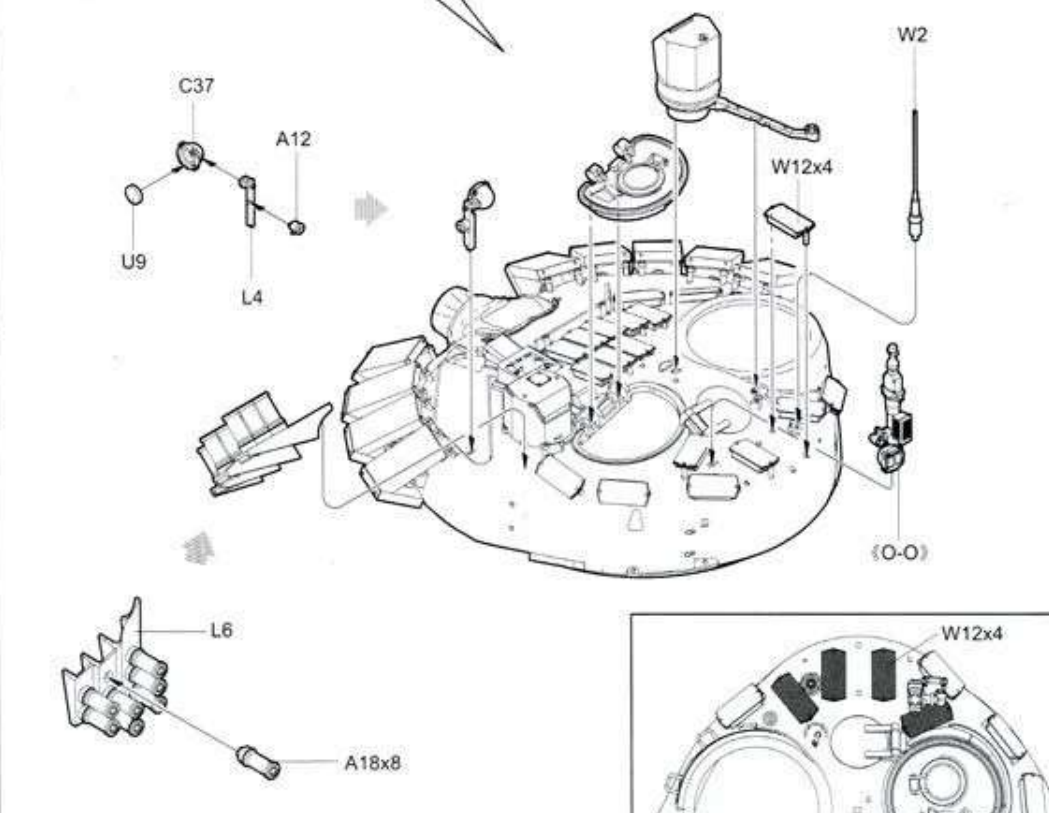
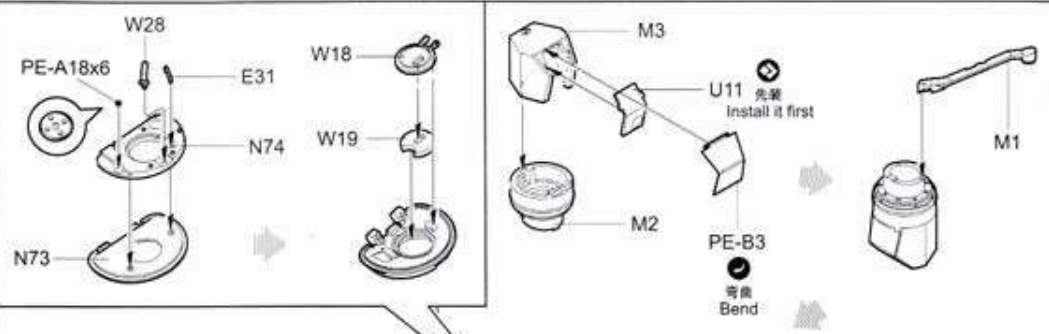
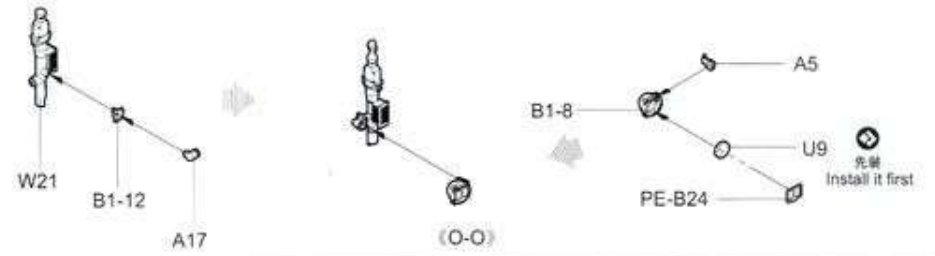
30



09510

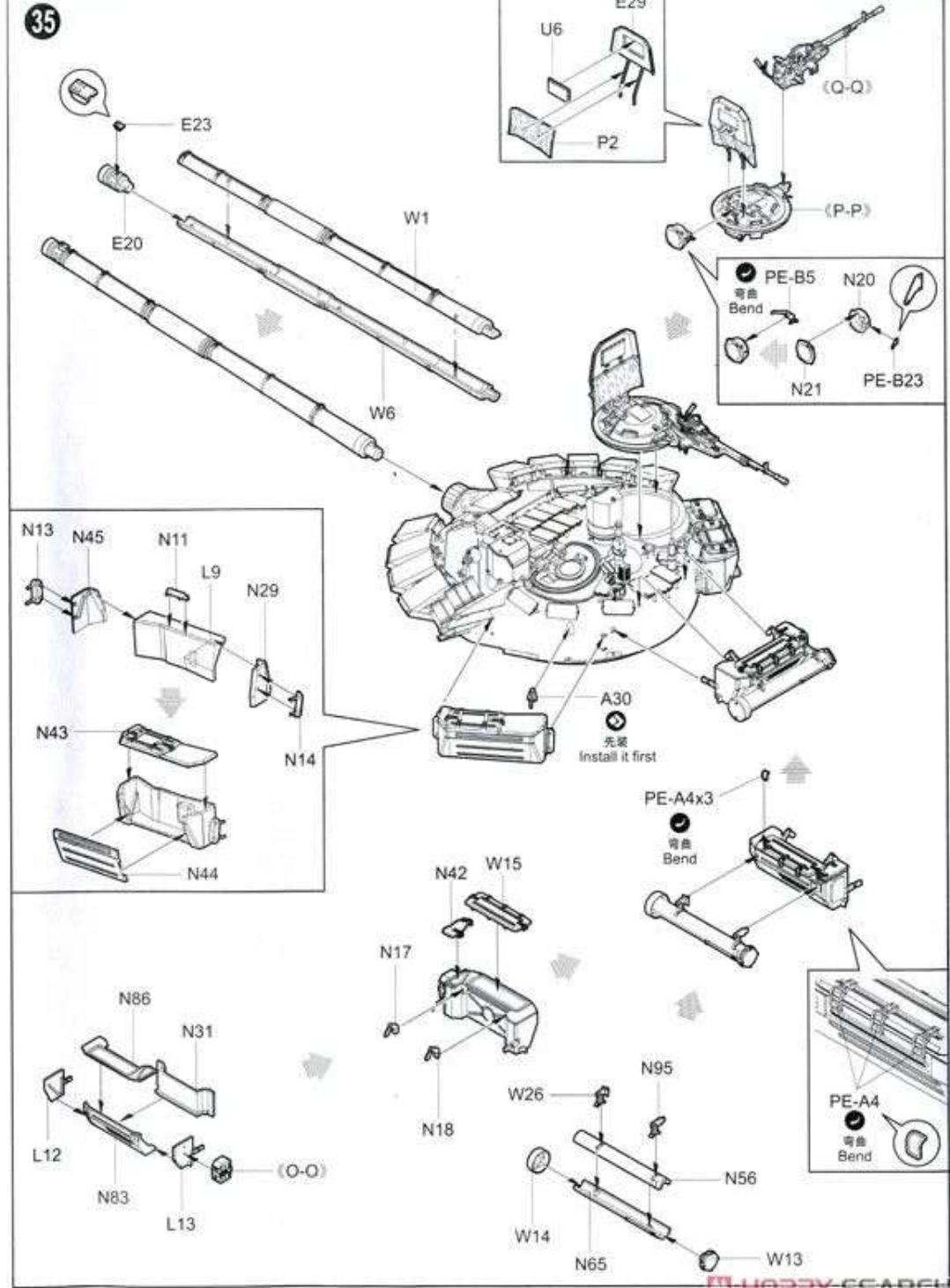
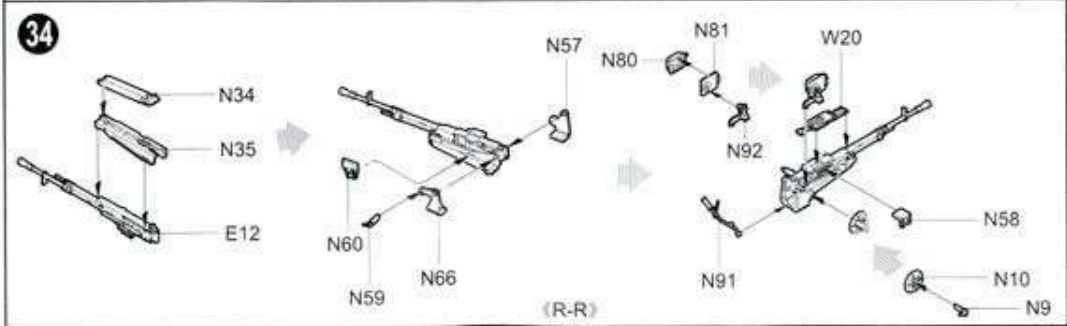
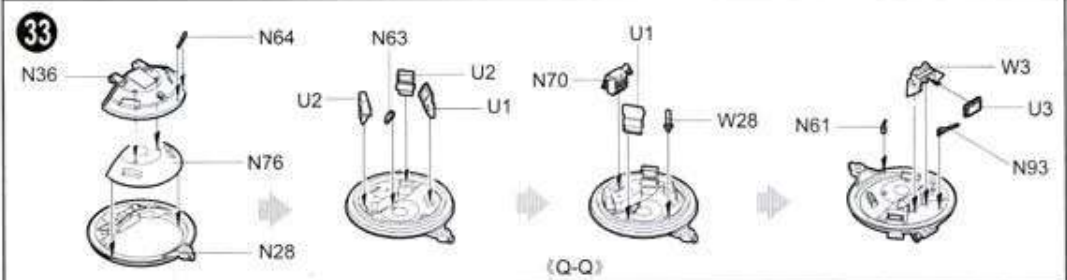
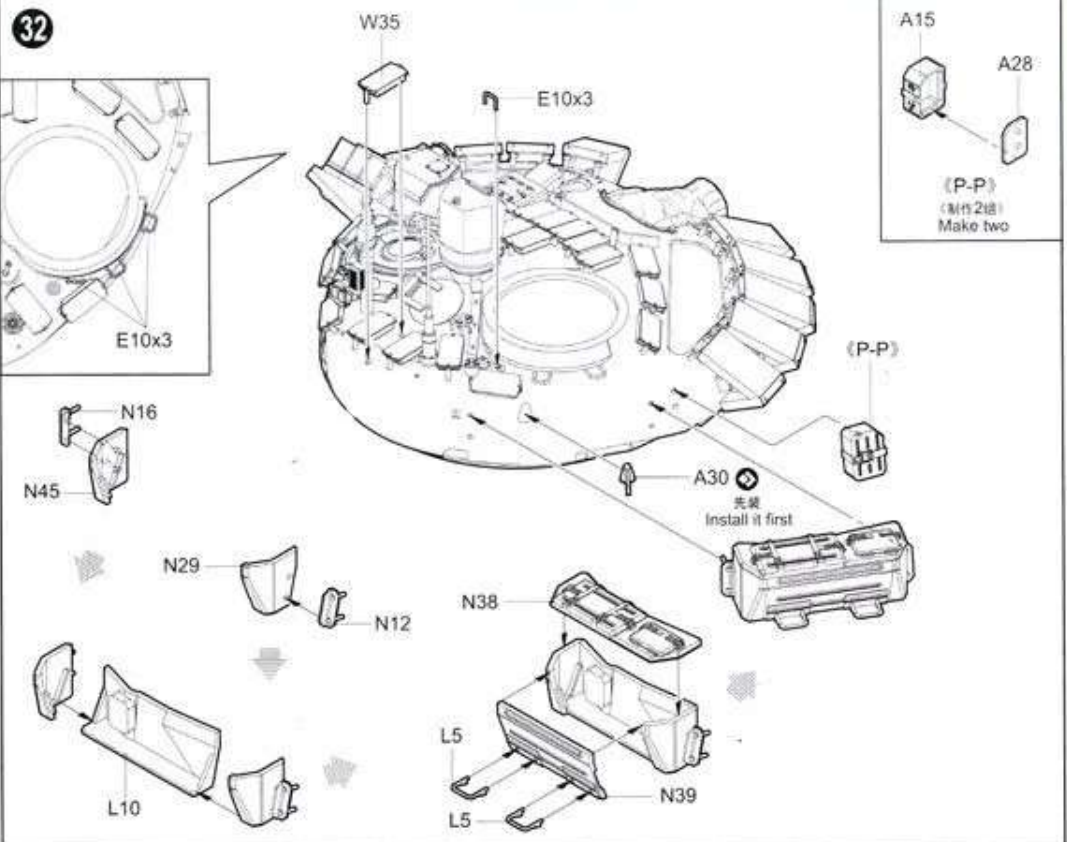
16

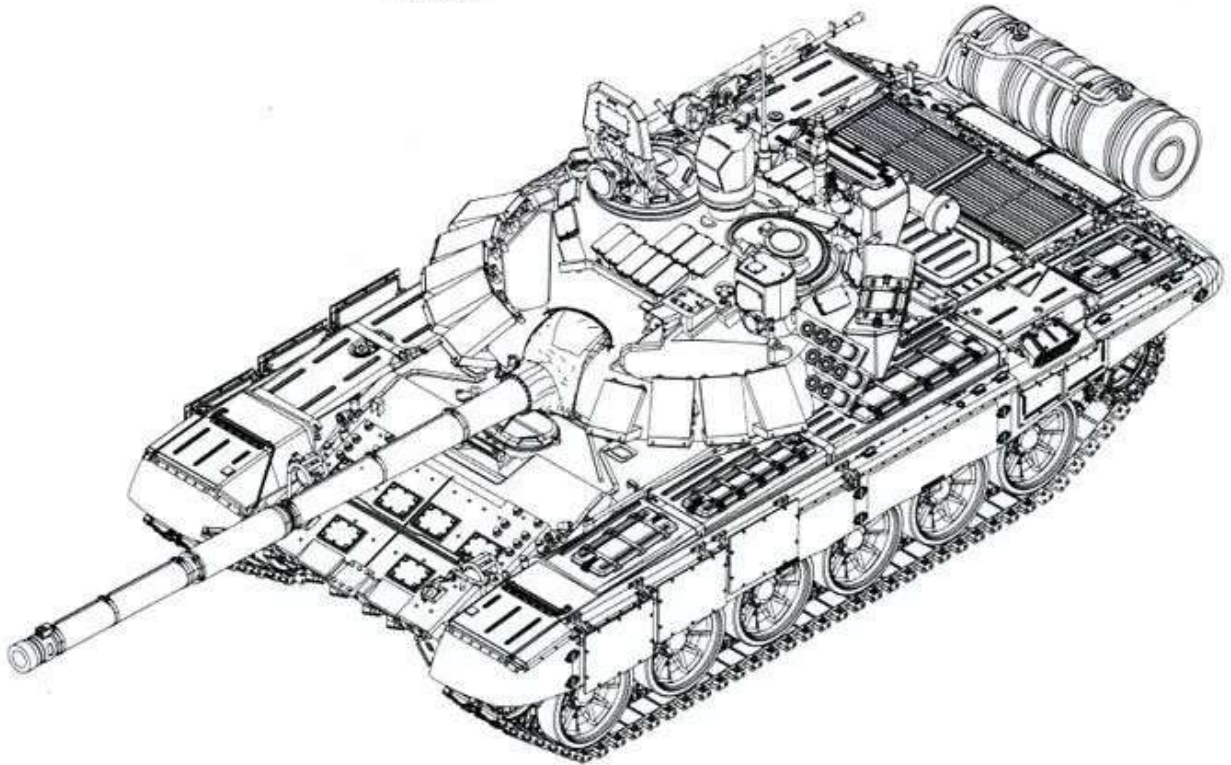
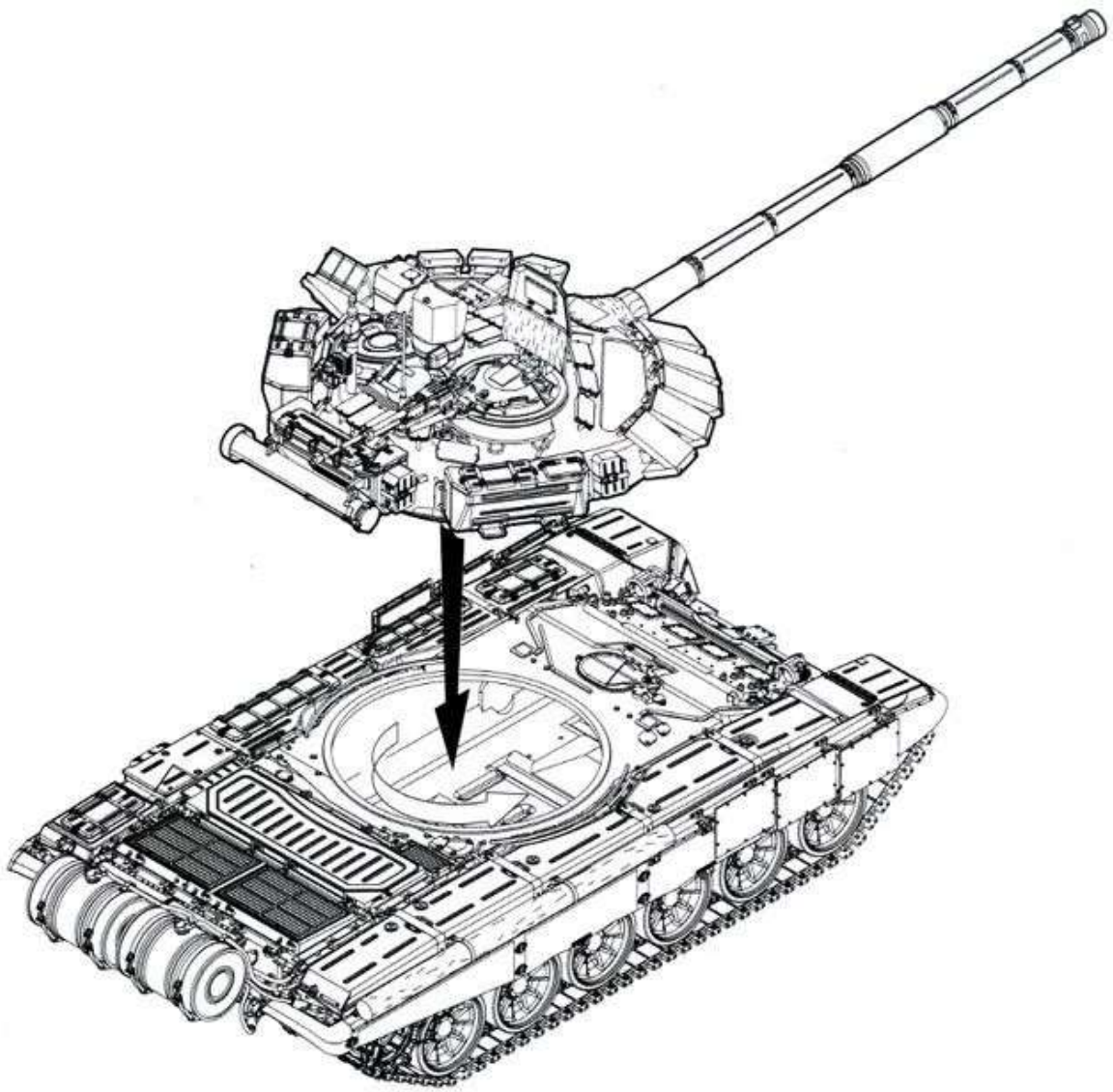
31



09510

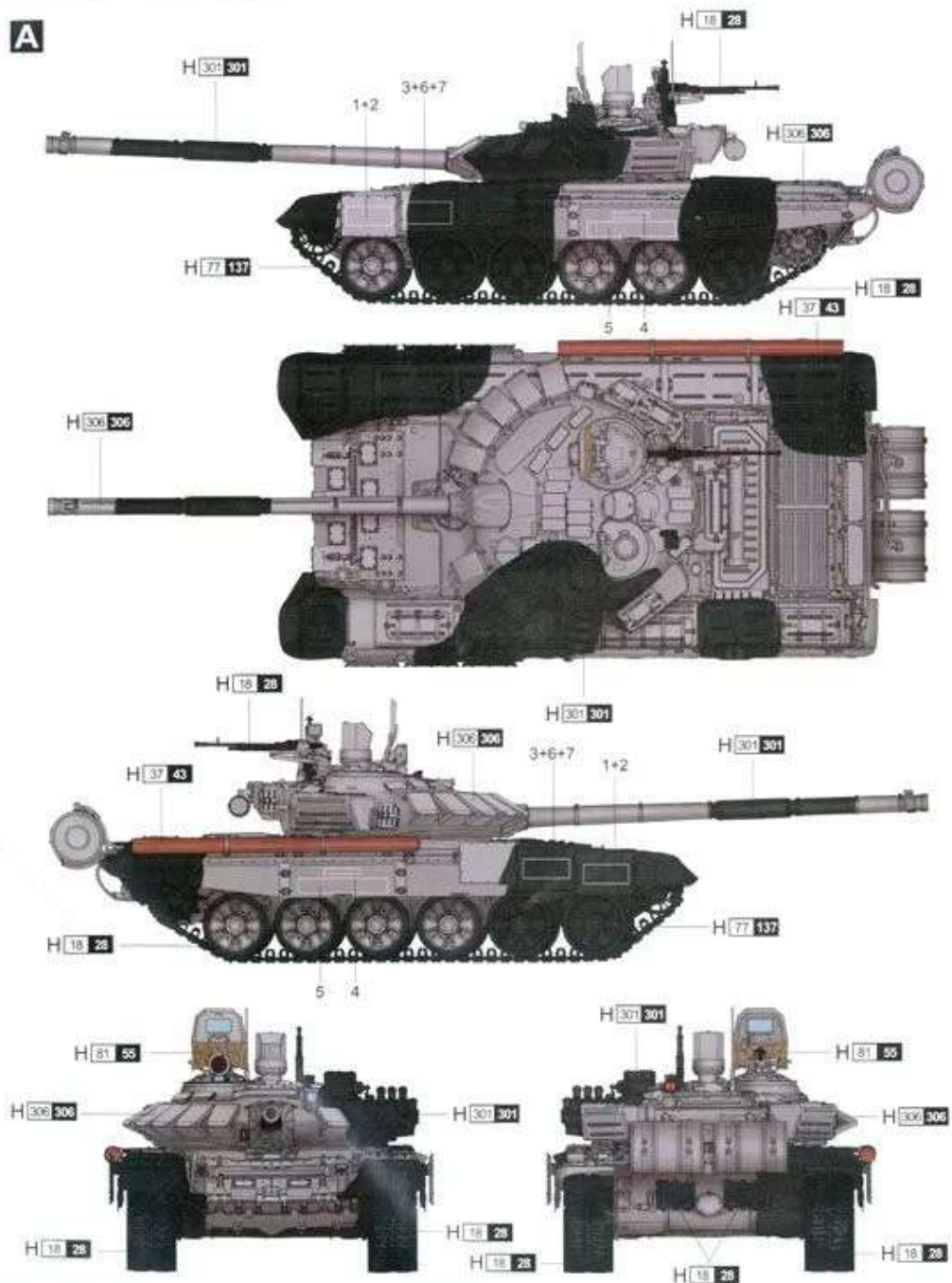
17





# 涂装同标贴指示 Painting & Marking guide

**A**



H 19 26 AQUEOUS HOBBY COLOR    H 81 55 Mr. COLOR

**B**



## PAINT REFERENCE COLOUR

Color	Mr.Hobby	Vallejo	Model Master	Tamiya	Humbrol	Color	Mr.Hobby	Vallejo	Model Master	Tamiya	Humbrol
Gray 灰色	H 302 306	870	1725	XF20	-	Sandy Brown 沙棕色	H 12 33	-	-	-	-
Red Brown 红棕色	H 47 41	964	-	XF64	160	Flat Black 平光黑	H 12 33	960	1740	XF1	35
Wood Brown 木棕色	H 37 43	963	1701	-	196	Tan 土黄色	H 77 137	-	-	-	-
Khaki 卡其色	H 81 55	968	-	XF49	26	Steel 钢灰色	H 18 28	864	1402	-	-
Gray 灰色	H 301 301	800	-	XF24	-						

涂装同标贴指示  
Painting & Marking guide



H AQUEOUS HOBBY COLOR    M Mr. COLOR

PAINT REFERENCE COLOUR

Color	Mr Hobby	Vallejo	Model Master	Tamiya	Humbrol	Color	Mr Hobby	Vallejo	Model Master	Tamiya	Humbrol
Green 绿色	H 303 303	—	1713	XF26	117	Khaki 土黄色	H 81 55	960	—	XF49	26
Olive Green 草绿色	H 12 33	—	1718	—	120	Flat Black 平涂黑	H 77 137	950	1749	XF1	33
Wood Brown 木棕色	H 312 312	983	1701	—	186	Tru Black 平涂黑	H 72 117	—	—	—	—
						Steel 灰蓝色	H 18 28	964	1402	—	—

