

Scale Motorsport
3 Topside Lane
Newtown, CT 06470-2023

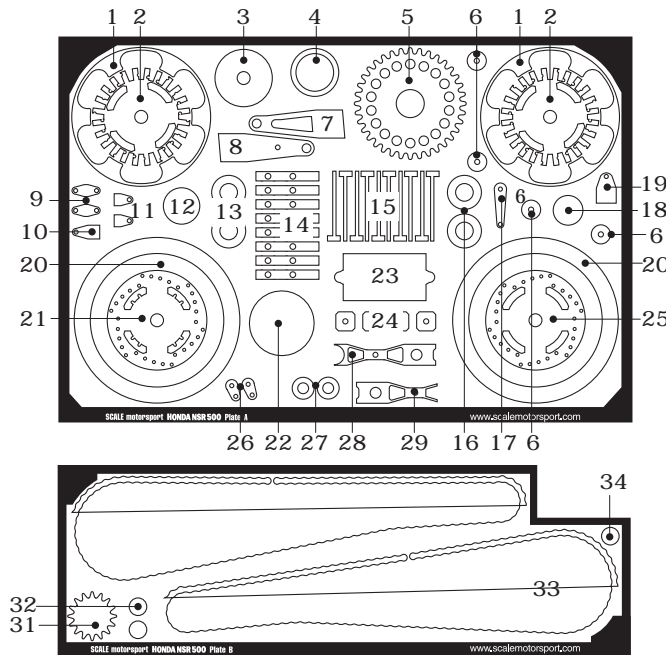
Phone: 203.426.9686
Fax: 203.426.1397
Email: scalemotor@aol.com
www.scalemotorsport.com
©Scale Motorsport 1999



This kit is not a toy, it is designed for the advanced builder or intermediate modeller interested in learning new techniques while expanding their modelling skills. Not safe for children under the age of 12 years.

Porsche, The Porsche Shield And The Distinctive Design of Porsche Cars Are Trademarks And Trade Dress of Porsche AG. Permission Granted

Honda NSR 500 Photoetch Sheet A



- | | |
|---------------------------|--------------------------------|
| 1 Front Brake Disc Detail | 18 |
| 2 Rear Brake Disc Vents | 19 Exhaust Pipe Brackets |
| 3 Rear Disc Spacer | 20 Front Brake Disc |
| 4 ? | 21 Rear Brake Disc |
| 5 Large Chain Sproket | 22 Large Sproket Detail |
| 6 Handle Bar Details | 23 Bracket |
| 7 Exhaust Pipe Brackets | 24 Handle Bar Details |
| 8 Exhaust Pipe Bracket | 25 Rear Brake Disc ? |
| 9 ? | 26 Chain Adjuster |
| 10 ? | 27 Chain Adjuster |
| 11 ? | 28 Chain Adjuster |
| 12 12 | 29 Chain |
| 13 Exhaust End Caps | 30 Small Chain Sproket |
| 14 Hose Clamps | 31 Small Chain Sproket Details |
| 15 Hose Clamps | 32 Chain |
| 16 Exhaust End Caps | 33 Small Chain Sproket Details |
| 17 Exhaust Pipe Bracket | |

Honda NSR 500 Photoetch Sheet B

Honda Motorcycle #4210

For Tamiya sku#: 14082 & 14087

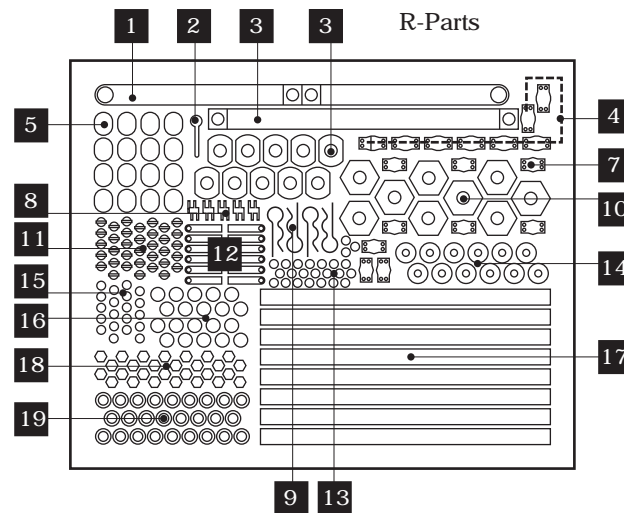
Production Notes:
Not all photo-etch products are created equal. Scale Motorsport photoetch sheets are double etched from nickel-plated steel. In order to accomplish double etching, artwork and tooling costs double in time and expense, we believe this to be well worth the effort. Double etching provides increased detail and makes removal from the carrier tree cleaner and easier.

We recommend that you handle our photo-etch parts with a tweezer (finger prints can create tarnished surfaces over time) and dab a drop of Tamiya Clear over the part after installation.

27 Parts called out with this graphic signify rubber backed photoetched part.

Note: Parts are not drawn to scale and slightly altered to prevent copyright theft.

Honda NSR 500 Photoetch Sheet R



- | | |
|---------------------------|----------------------------|
| 1 Exhaust Pipe Brackets | 15 Misc. Details |
| 2 Speedometer | 16 Large Sproket Details |
| 3 Exhaust Pipe Brackets | 17 Exhaust Pipe Brackets |
| 4 Hose Clamp Details | 18 Front Brake Disc Detail |
| 5 Front Brake Disc Detail | 19 Front Brake Disc Detail |
| 6 Handle Bar Details | |
| 7 Hose Clamp Details | |
| 8 Hose Clamp Details | |
| 9 Cowl Pins | |
| 10 Handle Bar Details | |
| 11 Misc. Details | |
| 12 Exhaust Pipe Brackets | |
| 13 Misc. Details | |
| 14 Large Sproket Details | |

