

Finnish Air-defense Weapon System

ItPsv 90



The Finnish ItPsv 90 is a Self-Propelled Anti-Aircraft Gun system featuring a version of the British Marksman turret mounted onto a Polish T-55AM tank hull. Finland fielded 7 of these vehicles in 1990, and retired them from service in 2010. The vehicle utilizes a British Marconi 400 series frequency agile surveillance and tracking X/J-band radar for detection and tracking, with a detection range of 12km, and a tracking range of 10km. The vehicle is armed with a pair of Swiss 35mm Oerlikon autocannons firing fragmentation rounds with a muzzle velocity of 1,175 m/s and a rate of fire of 18 rounds per second, with an effective range of 4,000m.

Painting and Marking Guide

A.MIG 005 Crystal Smoke

A.MIG 094 Crystal Glass

A.MIG 045 Gun Metal

A.MIG 033 Rubber & Tires

A.MIG 096 Light Green AN22

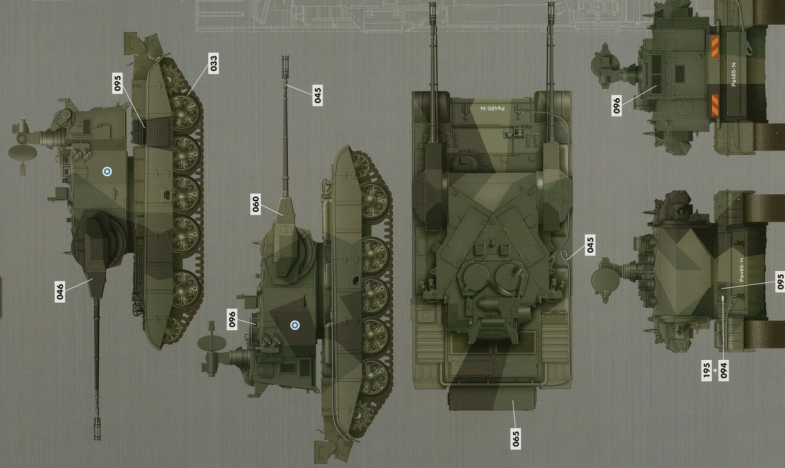
A.MIG 046 Black AN14

A.MIG 195 Silver

A.MIG 098 Crystal Periscopes Green

A.MIG 065 Dark Green AN11

Puolustusvoimot-Finnish Defense Force.



READ BEFORE ASSEMBLY

CAUTION

- Read carefully and fully understand the instructions before commencing assembly. A supervising adult should also read the instructions if a child assembles the model.
- When assembling this kit, tools including knives used. Extra care should be taken to avoid personal injury.
- Keep out of reach of small children. Children must not be allowed to suck any part, or pull vinyl bag over their heads.



Drill



Remove



Do Not Cement



Fill Holes



Instant Glue
for Metal



Be Careful

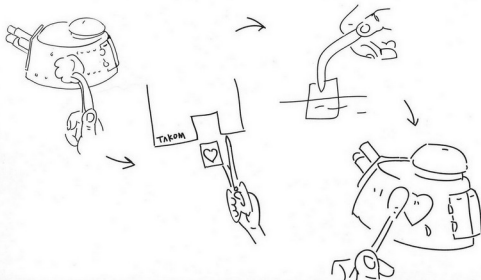
PAINTS REQUIRED

Color info and profiles by Mig Jimenez

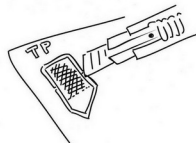
A.MIG 033 Rubber & Tires	A.MIG 045 Gun Metal	A.MIG 084 Crystal Glass	A.MIG 085 Crystal Smoke
A.MIG 096 Crystal Periscope Green	A.MIG 195 Silver	A.MIG 048 Black AN44	A.MIG 095 Light Green AN22
A.MIG 065 Dark Green AN11			

APPLYING DECALS

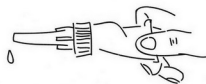
1. Clean the model surface with a wet cloth.
2. Cut out each decal design from sheet, and dip it in tepid water for 15-20 sec.
3. Hold the backing sheet edge and slide decal onto the model.
4. Move decal into position by wetting decal with finger.
5. Press decal gently down with a soft cloth until excess water and air bubbles are gone.



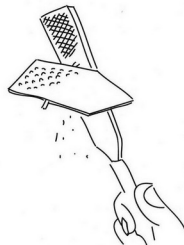
REMOVING PE



Be careful not to hurt when removing PE parts.

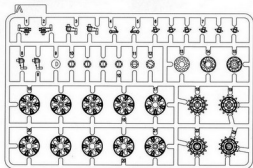


Secure using instant glue (not included).



Finish using file.

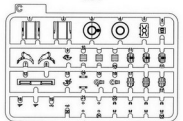
PARTS



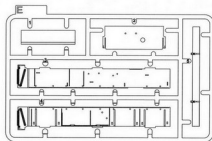
X2



X4



X2



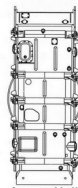
X184



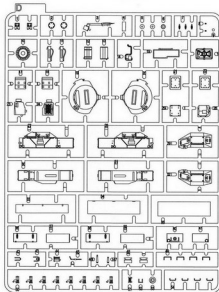
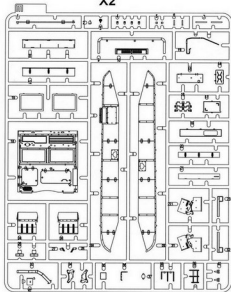
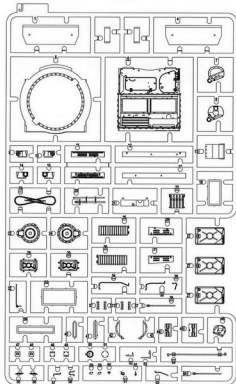
Turret



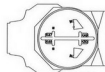
K45



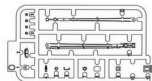
Lower Hull



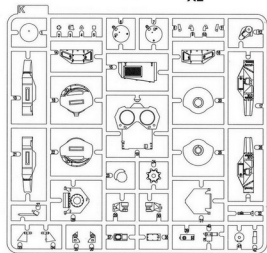
K46



K43



X2



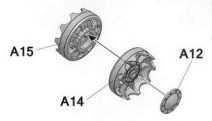
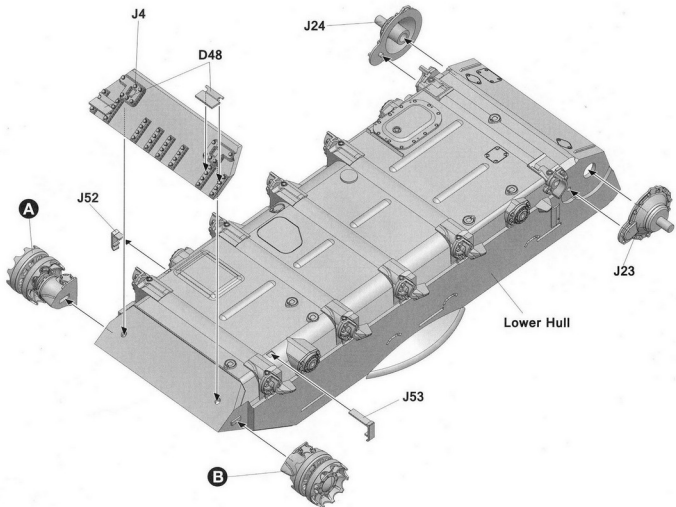
— Cable



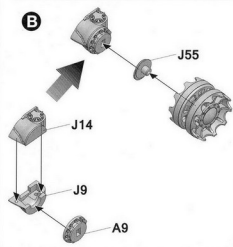
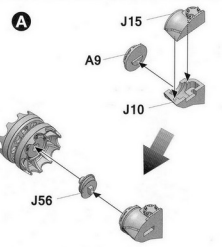
Decal

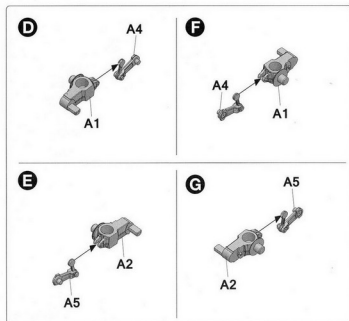
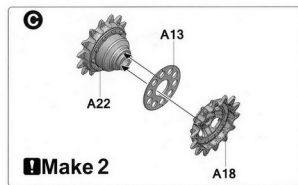
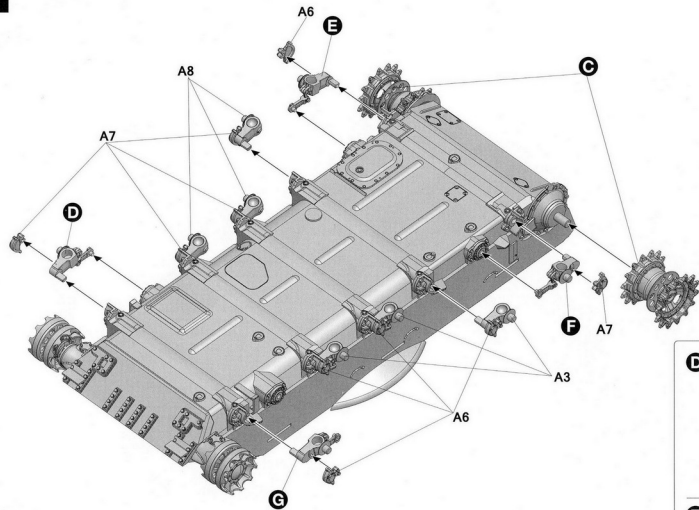


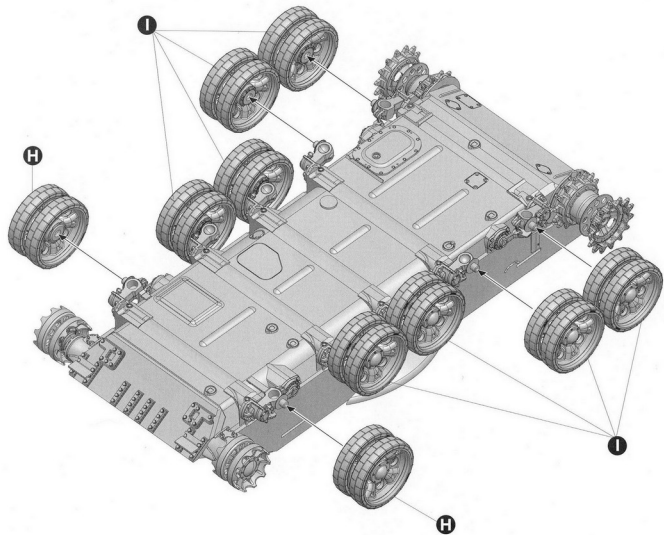
TP



Make 2







H

A close-up exploded view of a wheel assembly. It shows a tire (B1) mounted on a hub (A21). The hub is connected to an axle (A17) which has a gear (A11) at the end. The tire (B1) is shown in two positions: one on the hub and one on the axle.

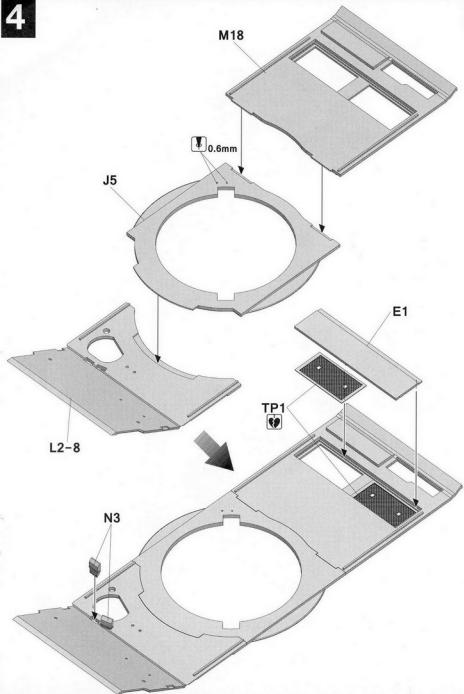
I Make 2

I

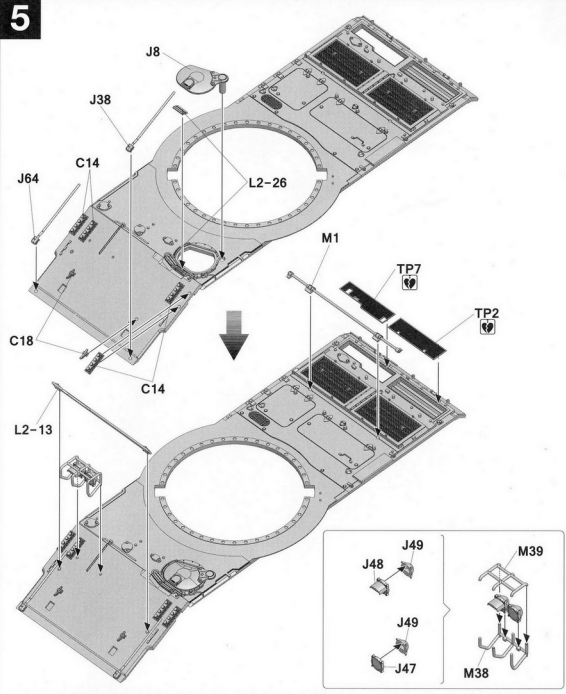
A close-up exploded view of a wheel assembly. It shows a tire (B1) mounted on a hub (A16). The hub is connected to an axle (A20) which has a gear (A10) at the end. The tire (B1) is shown in two positions: one on the hub and one on the axle.

I Make 8

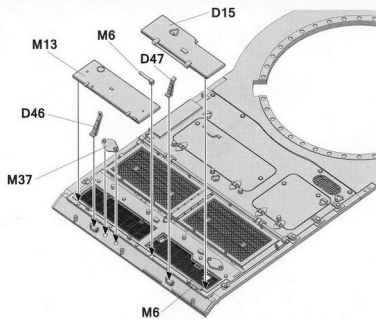
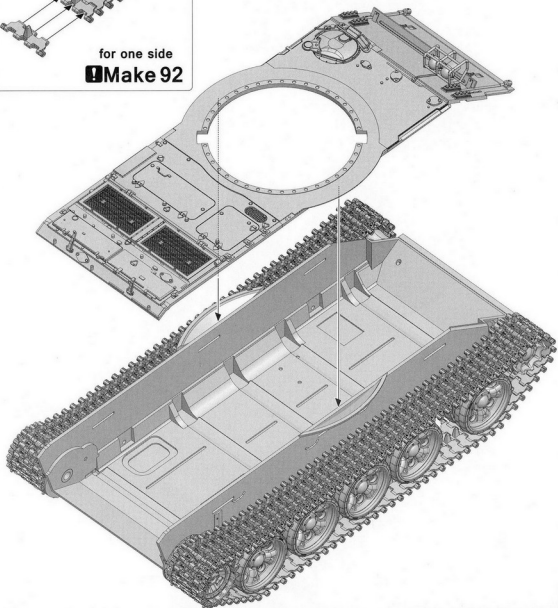
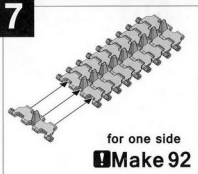
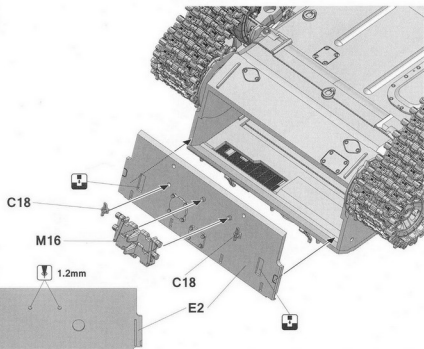
4



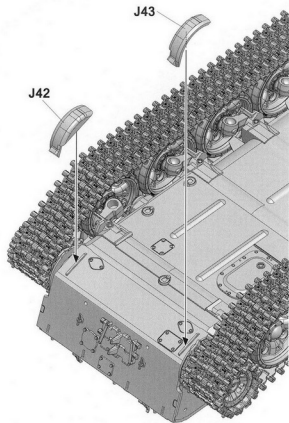
5



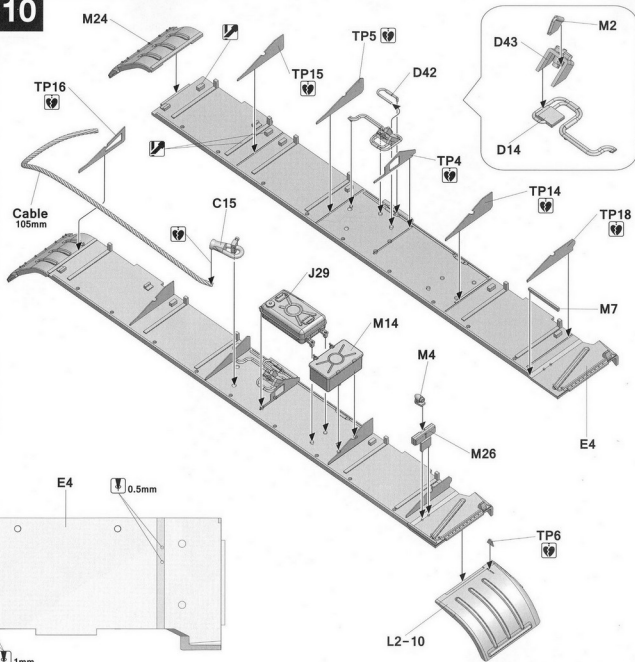
6

6**7****8**

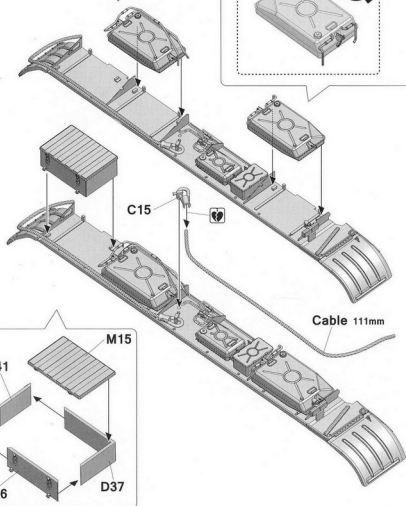
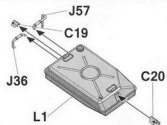
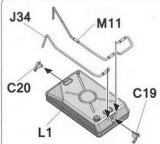
9



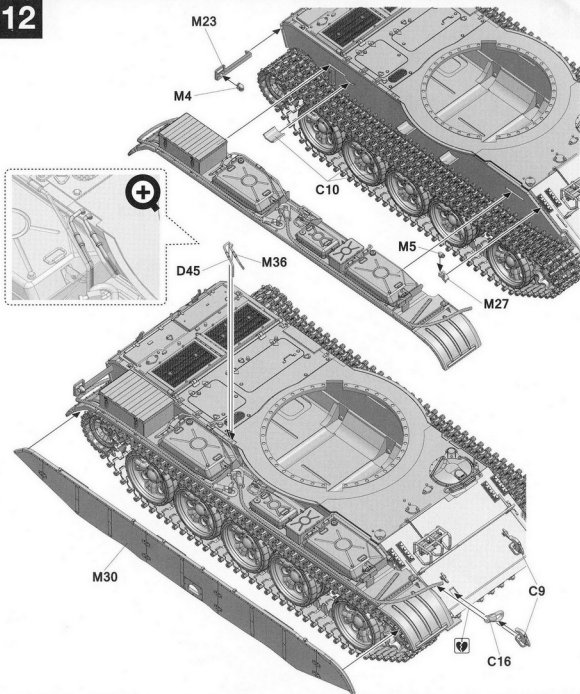
10



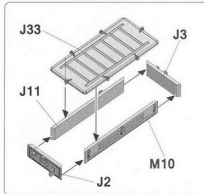
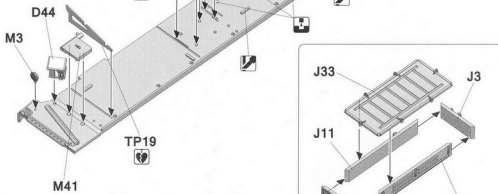
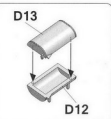
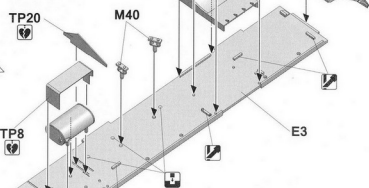
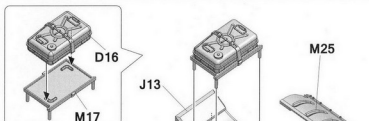
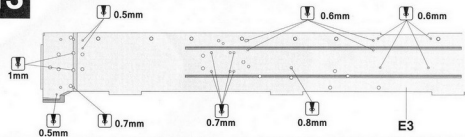
11



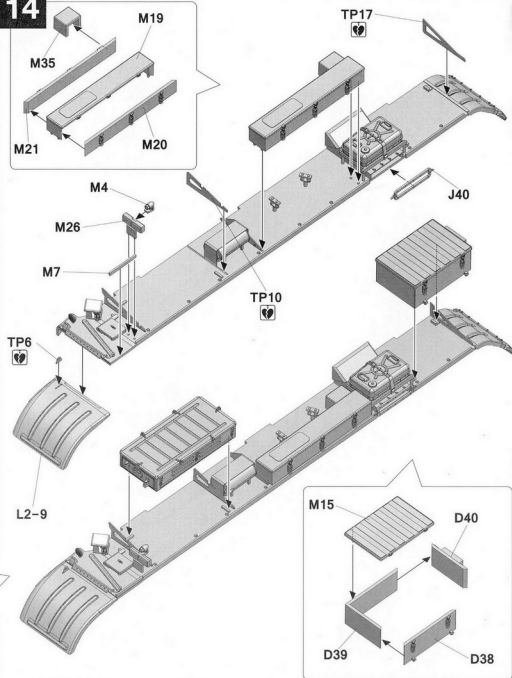
12

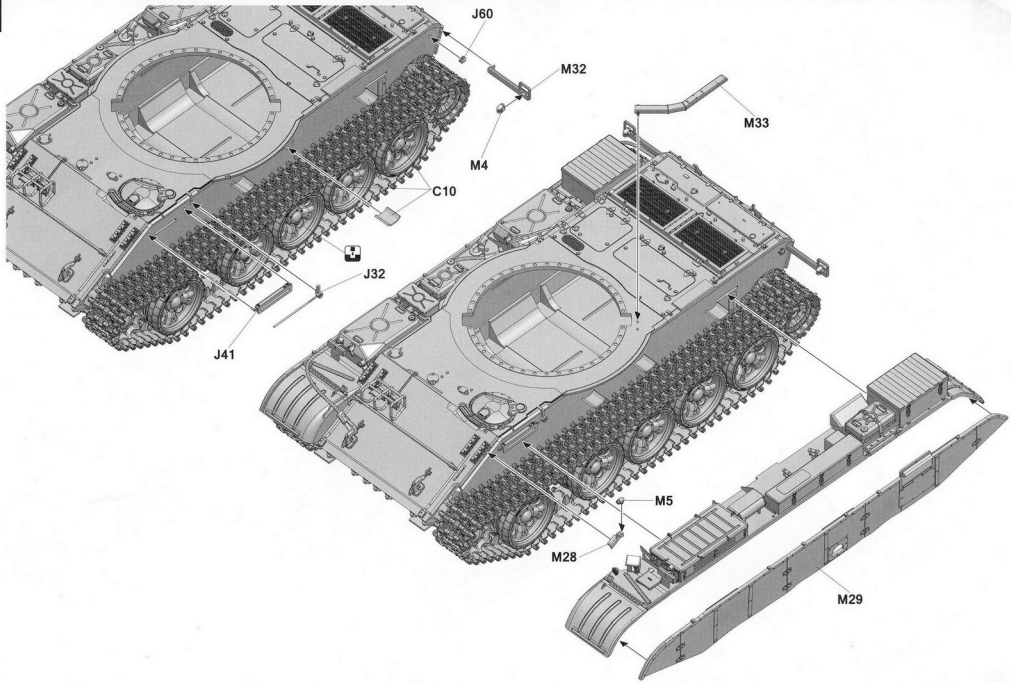


13

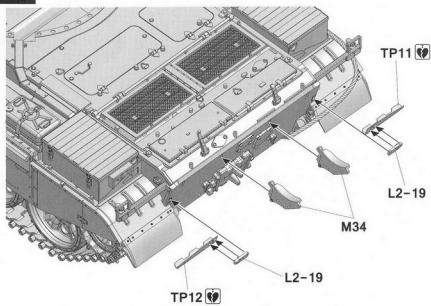


14

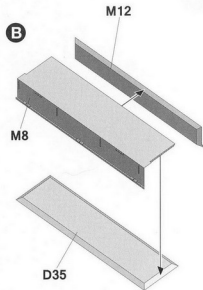
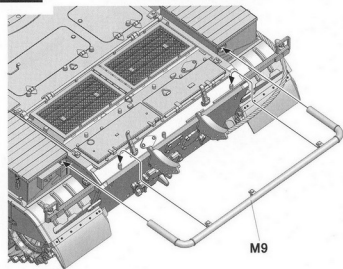




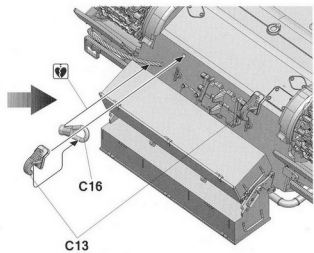
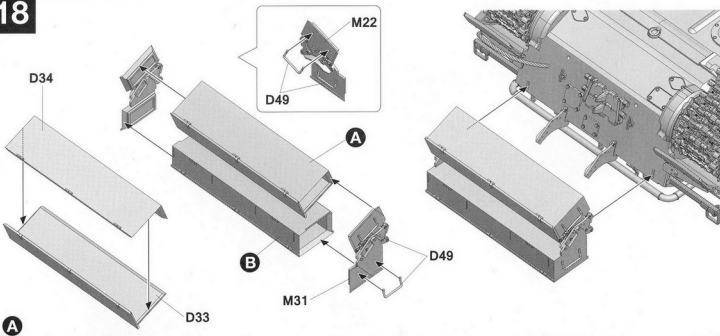
16



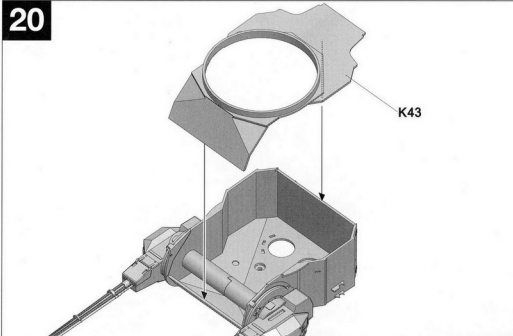
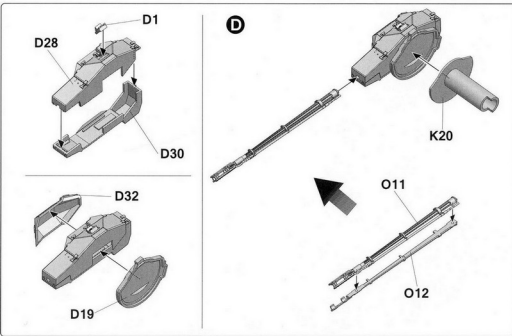
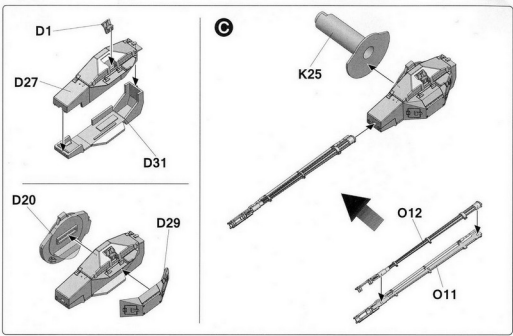
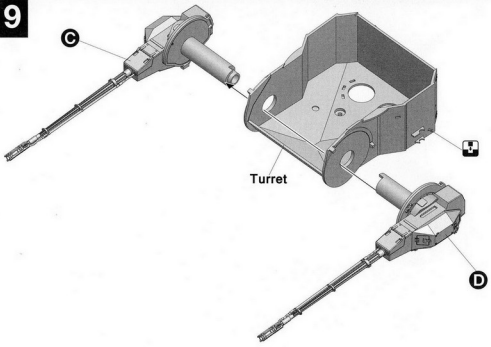
17



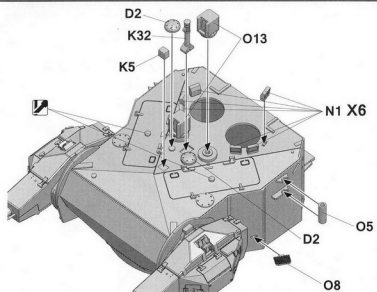
18



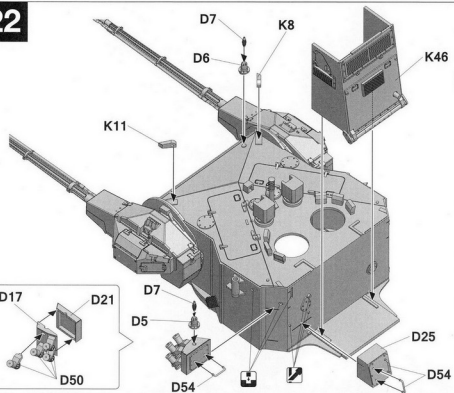
19



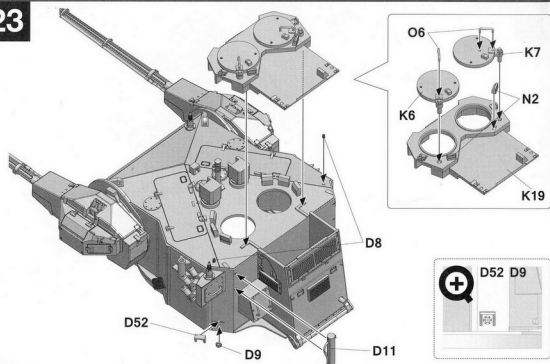
21



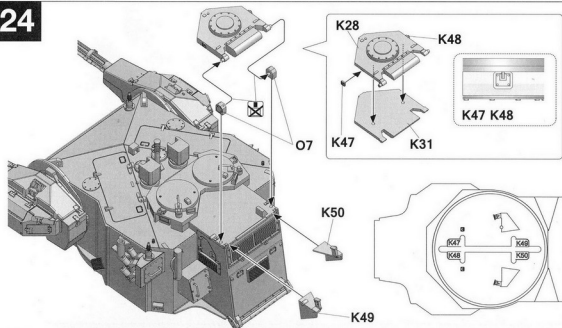
22



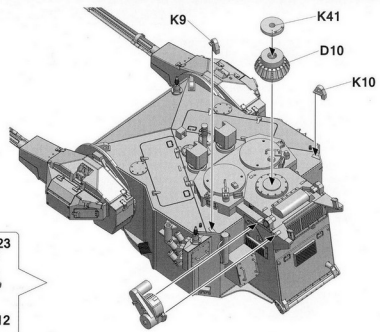
23



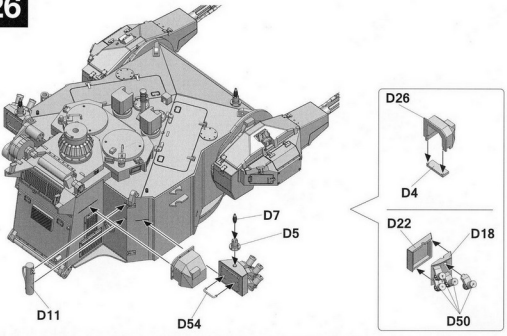
24



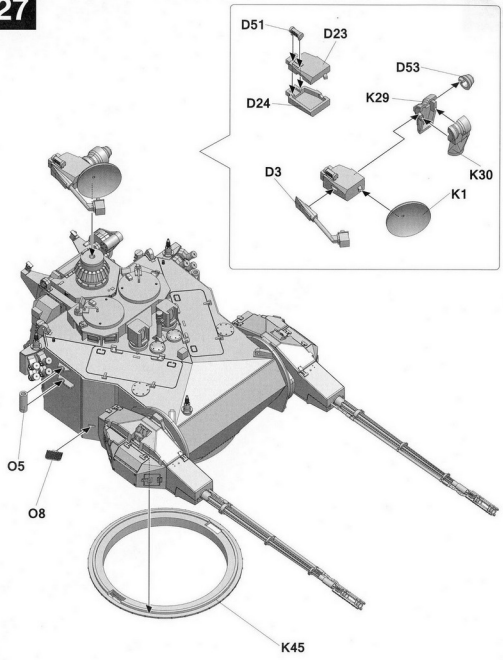
25

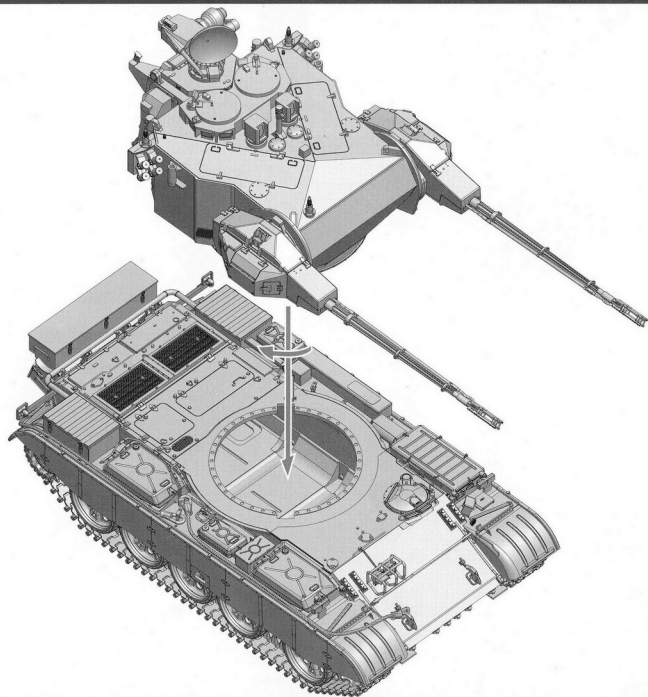


26



27





© 2009 TAKOM. ALL RIGHTS RESERVED. TAKOM IS A REGISTERED TRADEMARK OF TAKOM. ALL RIGHTS RESERVED. TAKOM IS A REGISTERED TRADEMARK OF TAKOM. ALL RIGHTS RESERVED.



1/35
No. 2039

BRITISH AIR DEFENSE WEAPON SYSTEM

CHIEFTAIN MARKSMAN SPAAG



T-54 B

RUSSIAN MEDIUM TANK

LATE TYPE

1/35
No. 2008



T-55A

RUSSIAN
MEDIUM
TANK

- DORCzech production)
- Russia
- 1stc

3 in 1



1/35
No. 2006



GEPARD SPAAG A1/A2

BUNDESWEHR FLAKPANZER 1

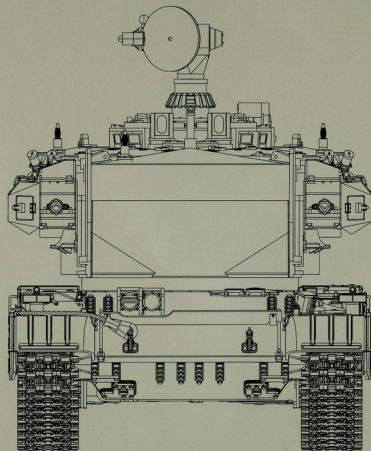
- A THE GUN CASSETTE
- A REMOVAL OF REARVIEW
- A TURRET OF MOUNTAIN
- A 1/4 SCALE PARTS INCLUDING
- A DETACHED BRIDGE, TOWER, UPPER PARTS, SMOKE
- A NEW BRIDGE FOR THE MAIN TURRET AND THE REARVIEW
- A NEWLY DESIGNED SUBMOUNT & BRIDGE ANTI-AIR DEFENSE
- FOR THE GEPARD

1/35
No. 2044



© 2009 TAKOM. ALL RIGHTS RESERVED. TAKOM IS A REGISTERED TRADEMARK OF TAKOM. ALL RIGHTS RESERVED. TAKOM IS A REGISTERED TRADEMARK OF TAKOM. ALL RIGHTS RESERVED.

2017/2043



You can find TAKOM on Facebook.com