

TA-7C Corsair II

TA-7C コルセア II

TA-7C “海盜” II攻击机

PLEASE READ BEFORE OPERATION!

- * Tools recommended as below: (Not included)
Adhesives; Paints; Side Cutters; Sharp Edged Pliers; Modeling Knife; Modeling File; Nippers; Drill; Scissors; Sand Paper; Soft Cloth; Cyanoacrylate Glue.
- * Make sure to read this instruction listed below before assembling.
- * The kit contains the small parts, they can be dangerous if swallowed by mistake, so keep them away from reach of children.
- * Cut the all parts off carefully and remove the waste parts into the garbage can.
- * More caution and care should be needed for cutting and handling the photo etched parts.
- * Make attention that some parts should be attached the decal when assembled.
- * During assembling, please tear up and throw away the plastic bags, or may cause the dangerous if wearing over head by children's mistake.
- * When using the adhesives and paints, please do not use them in the closed room or near the fire, also must be very careful to protect your eyes, face and clothes.
- * Adult supervised when assembled by children under 14 years old.

装配前请仔细阅读:

- * 推荐使用的模型工具(请自备):
专用模型胶水, 专用模型油漆, 水口剪刀, 长咀钳, 刀片, 锉刀, 镊子钳, 钻, 剪刀, 软布, 砂纸, 瞬间快干胶等。
- * 用水口剪刀或刀片小心切下所有塑胶零件和蚀刻片零件, 不要遗失小零件。
- * 切取蚀刻片时应特别注意防止利边划伤手指。
- * 用模型锉刀小心锉平所有零件表面的注射浇口。
- * 用适量的强力快干胶水粘合蚀刻片零件和金属轴, 切忌过量, 否则可能导致可动零件被粘住。
- * 注意某些零件表面需在装配时同步贴上水贴纸。
- * 制作时应远离幼儿并将包装袋及时收妥, 谨防小孩玩耍而引起意外。



cyanoacrylate glue
强力胶



weight
配重



make hole
钻孔



cut / remove
切除



option
选择



no cement
不涂胶水



decal
贴纸



bend
弯曲



repair
填补

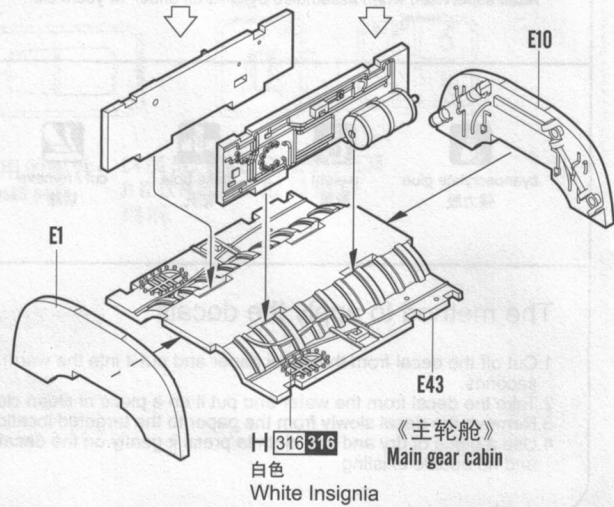
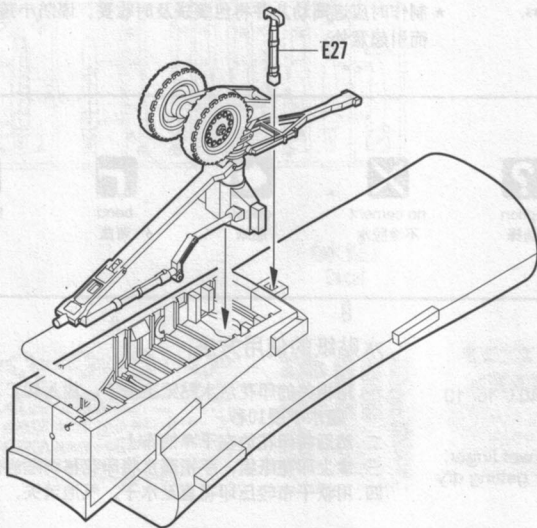
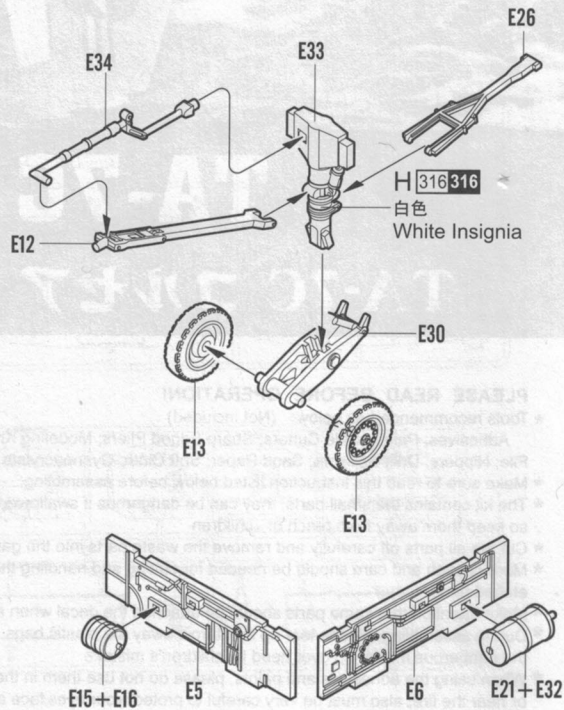
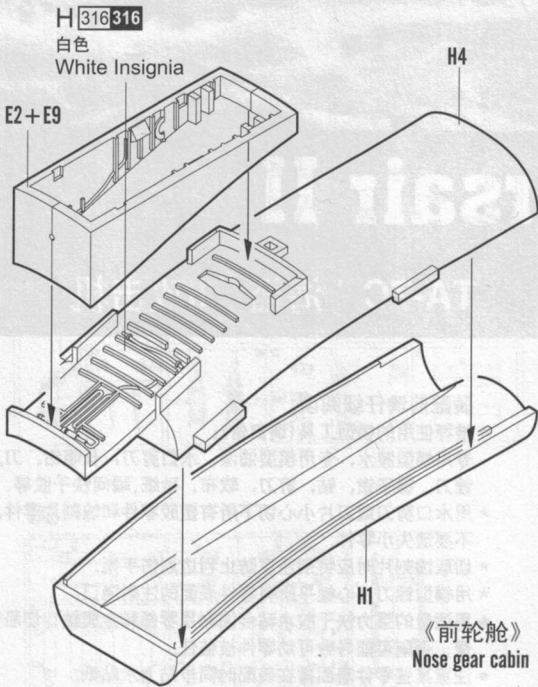
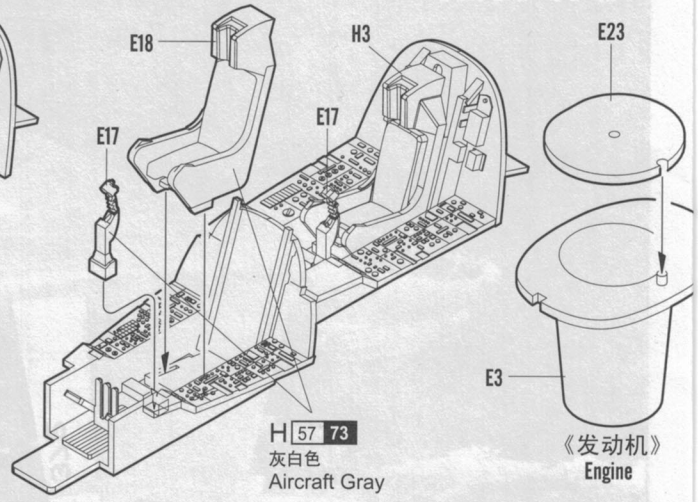
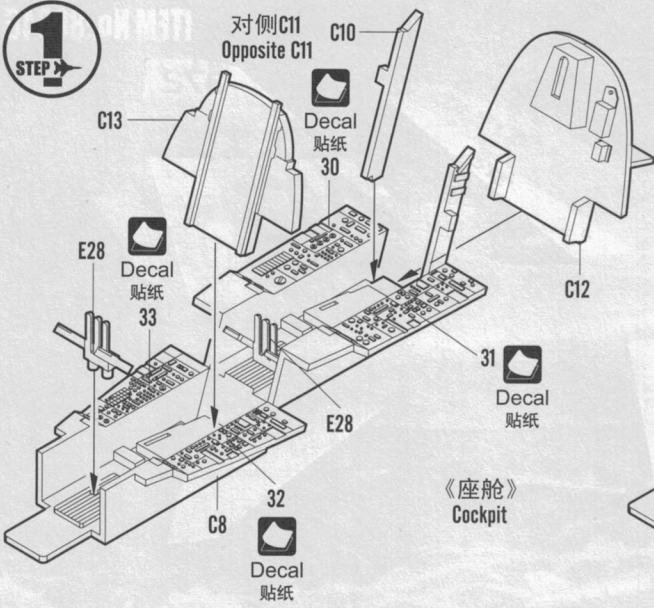
The method to apply the decals

1. Cut off the decal from the decal paper and put it into the warm water 40°C for 10 seconds.
2. Take the decal from the water and put it on a piece of clean cloth.
3. Remove the decal slowly from the paper to the targeted location by a wet finger.
4. Use a piece of dry and soft cloth to press it gently on the decal until it getting dry and no bubble existing.

水贴纸的使用方法:

- 一. 把相关的印花从水贴纸上剪下, 放入40°C左右的温水中浸10秒。
- 二. 然后将印花放在干净的布上。
- 三. 拿上印花纸板, 手指蘸水将印花移到适当的位置。
- 四. 用软干布轻压印花直至水干, 气泡消失。

1
STEP



2
STEP

开孔
Make holes

切除
Cut

H[58] 27
机体内部色
Interior Green

H[76] 61
烧铁色
Burnt Iron

《发动机》
Engine

开孔
Make holes

《主轮舱》
Main gear cabin

C14

C1

开孔
Make holes

切除
Cut

《座舱》
Cockpit

《前轮舱》
Nose gear cabin

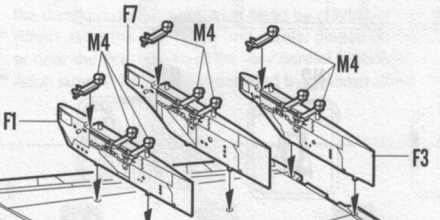
C14

钻孔
Make holes

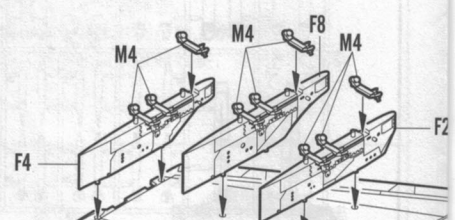
D25

钻孔
Make holes

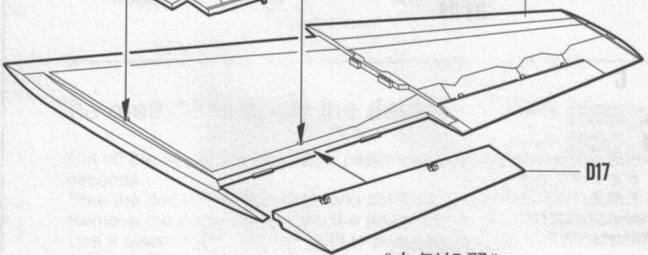
D21



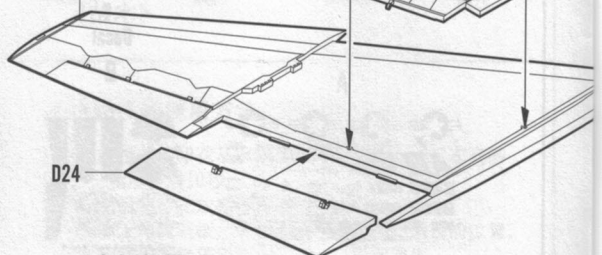
D8



D9



《左侧机翼》
Left wing



《右侧机翼》
Right wing

3
STEP

3

《右侧机翼》
Right wing

C7

C2

D27
对侧D19
Opposite D19

H 316 316
白色
White Insignia

《左侧机翼》
Left wing

E22

E41

E40

E31

《左侧主起落架》
Left undercarriage

《右侧主起落架》
Right undercarriage

E8

E14

制作2组
Make two

对侧D11
Opposite D11
D6

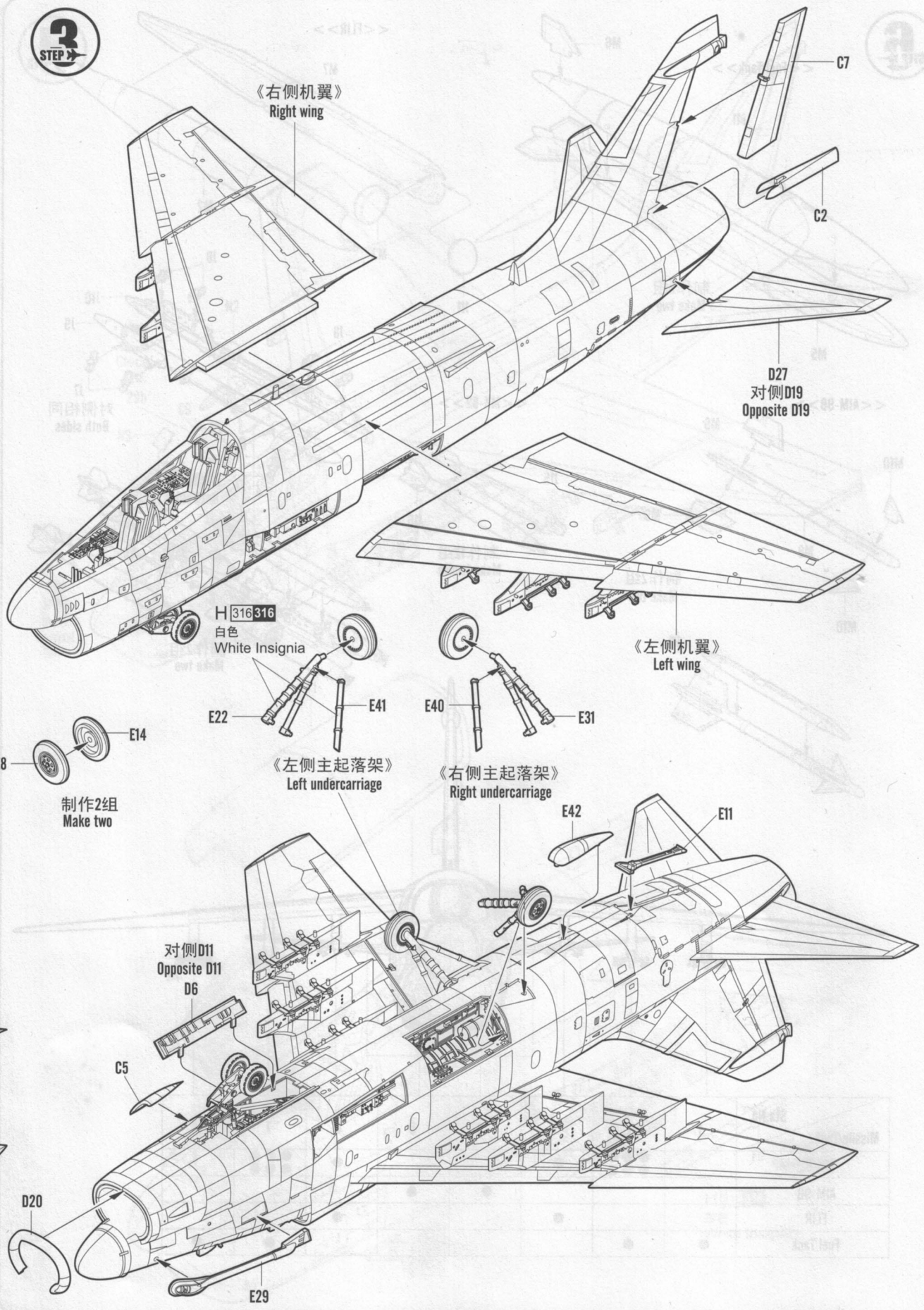
E42

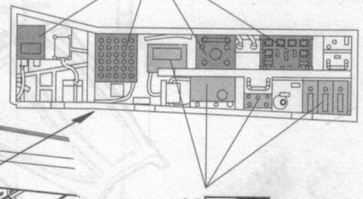
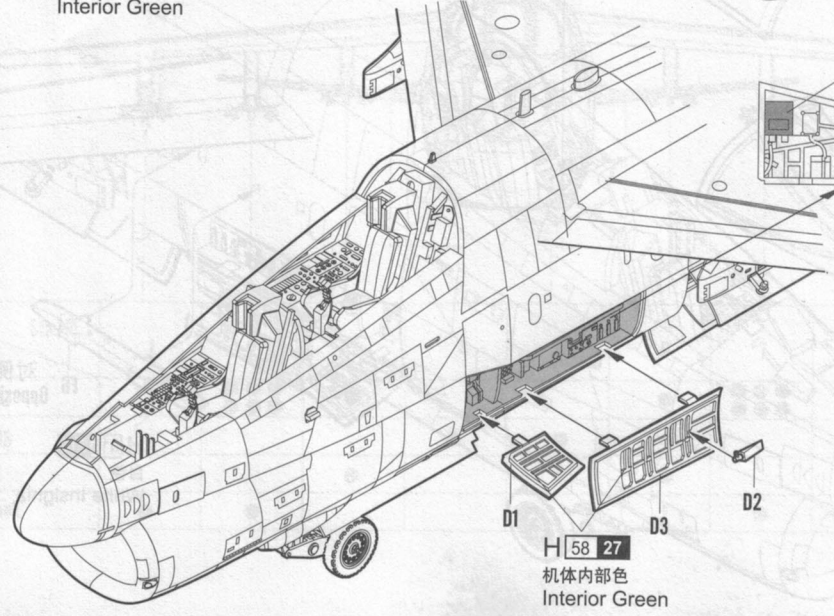
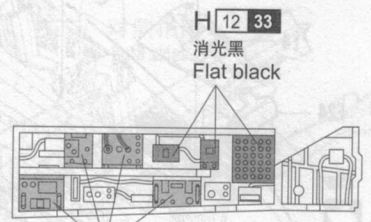
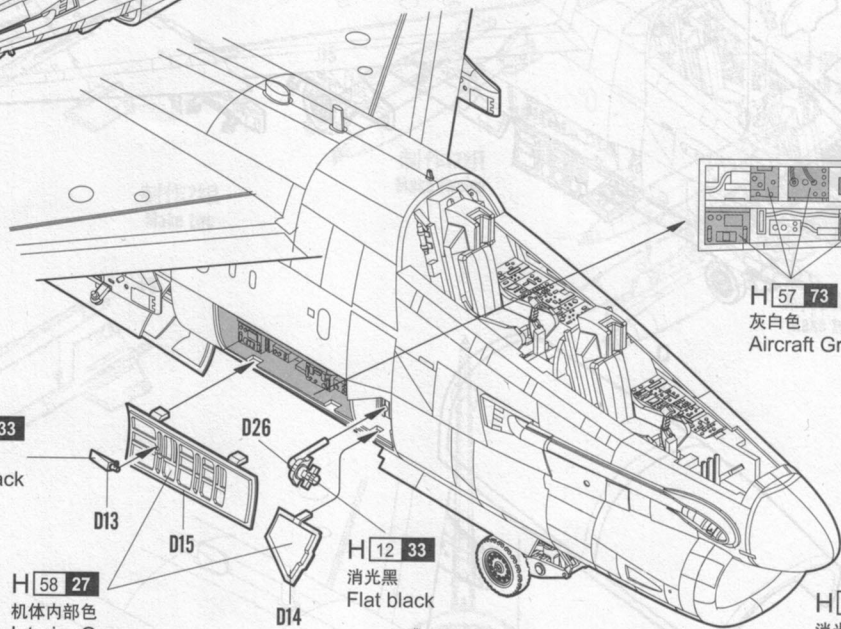
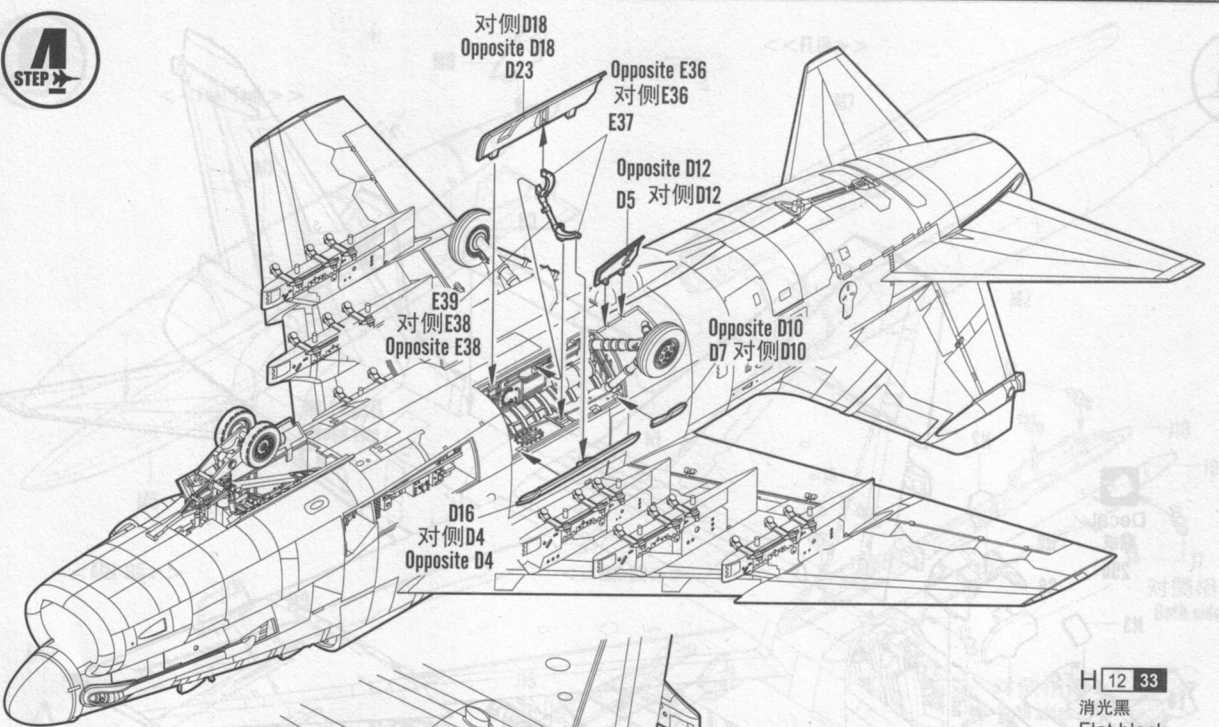
E11

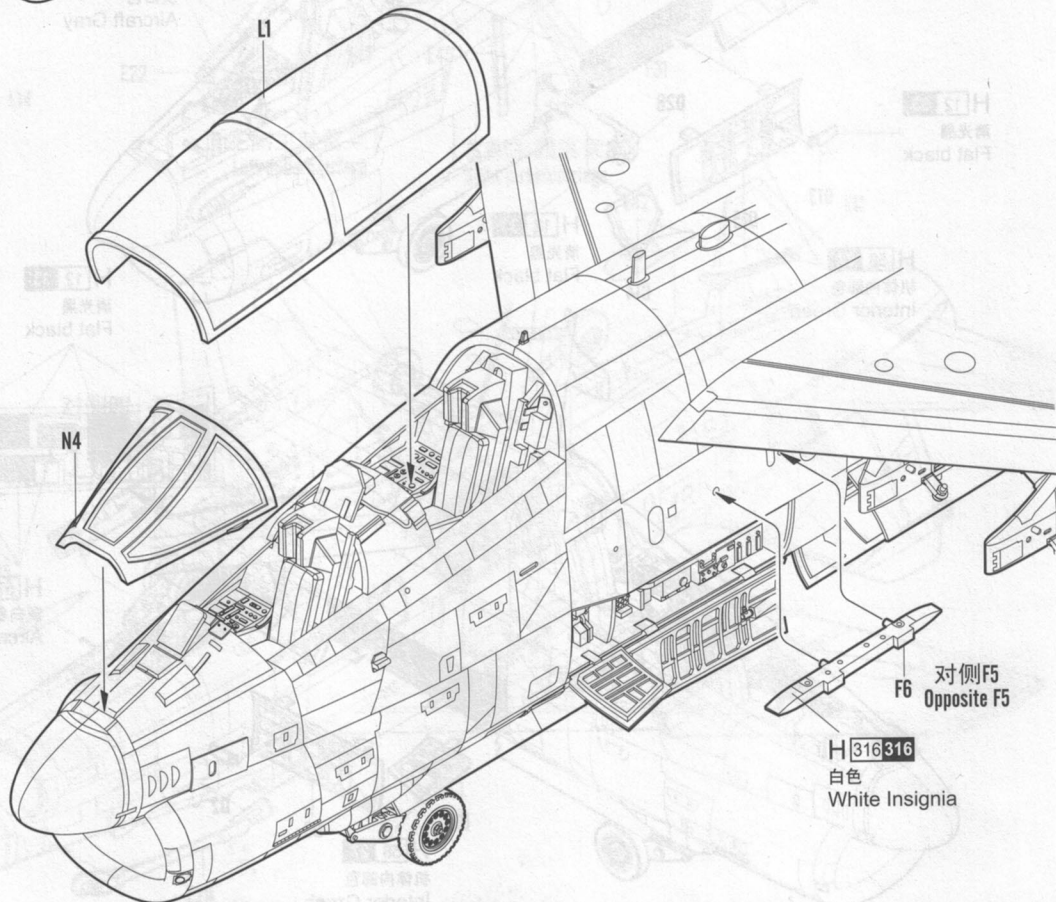
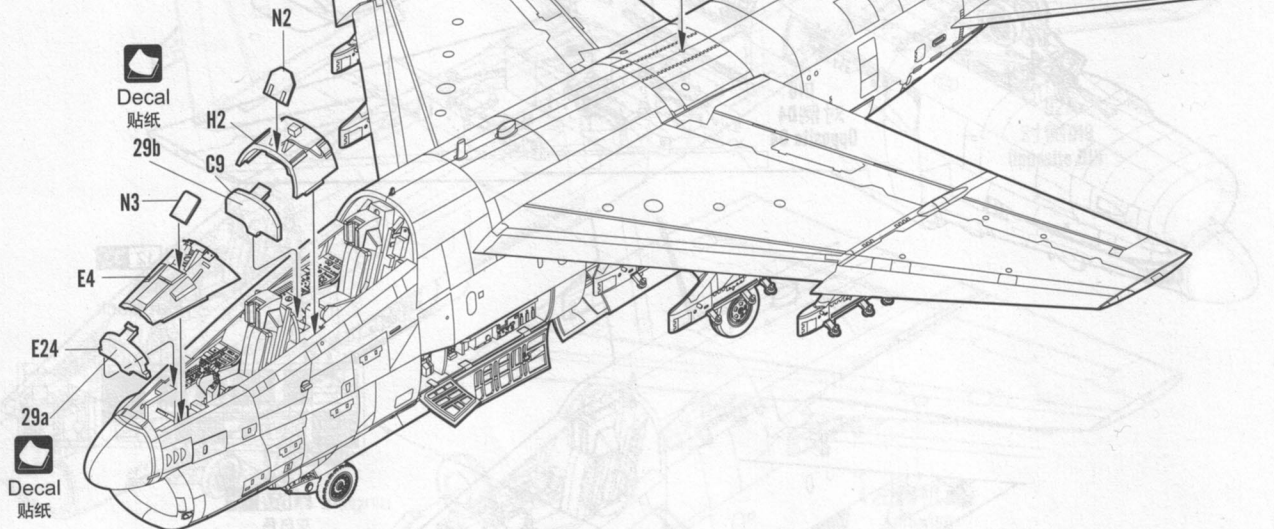
C5

D20

E29

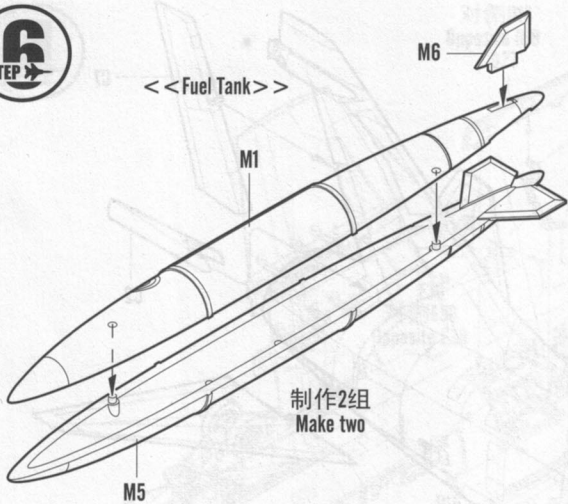






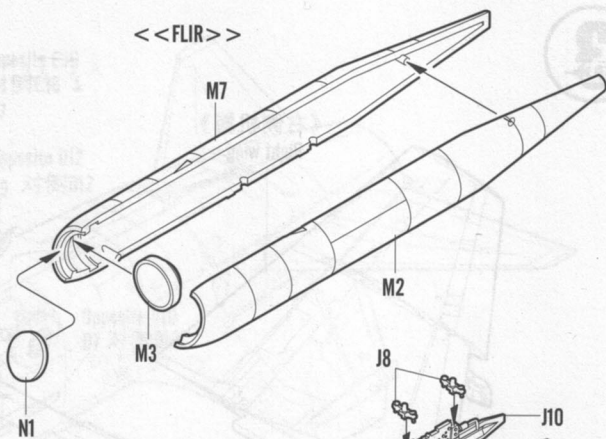


<<Fuel Tank>>

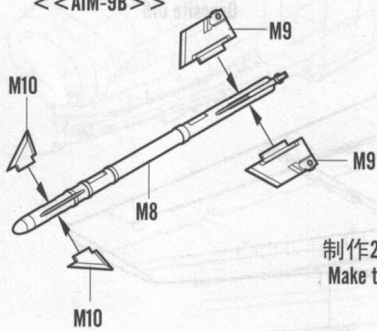


制作2组
Make two

<<FLIR>>



<<AIM-9B>>

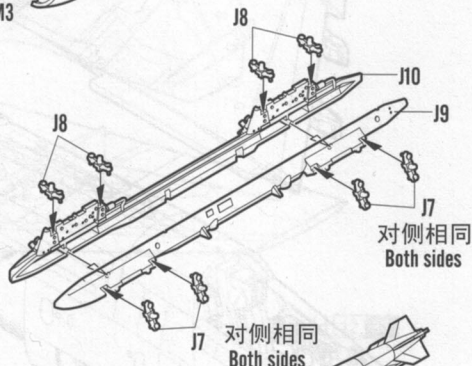


制作2组
Make two

<<MK-82>>



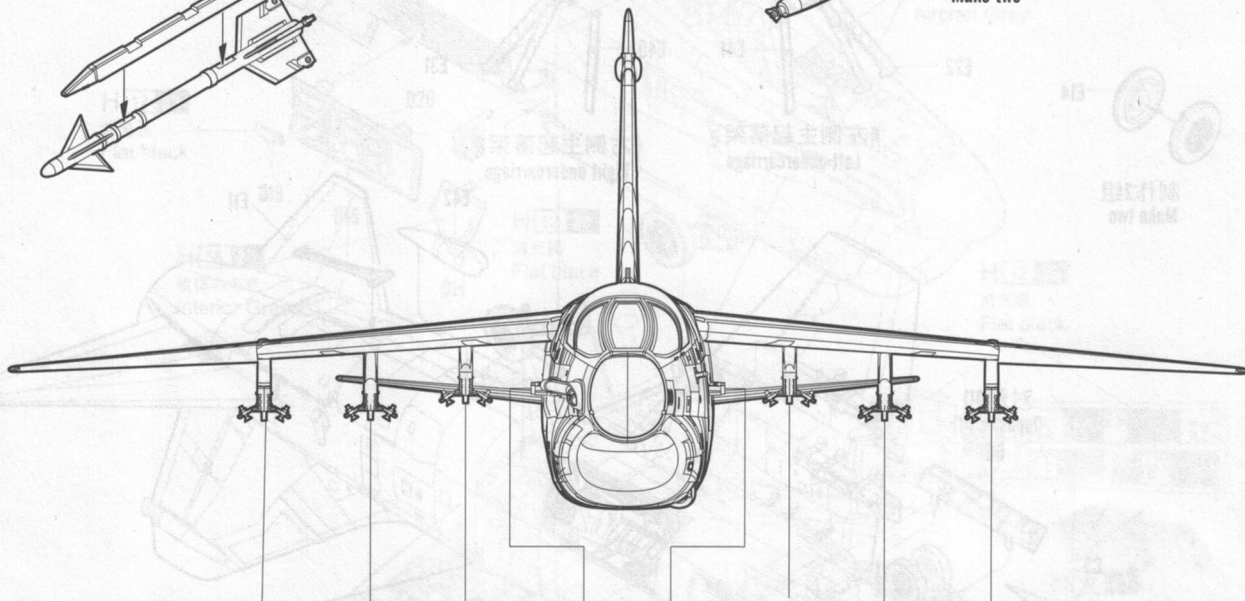
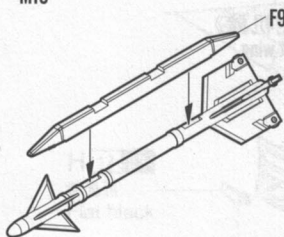
制作12组
Make twelve



对侧相同
Both sides

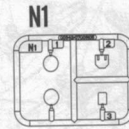
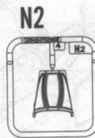
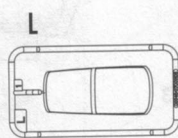
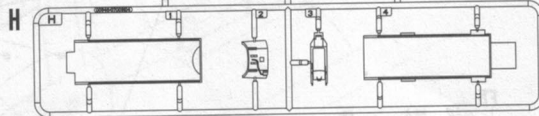
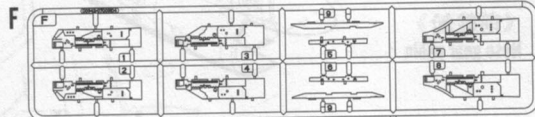
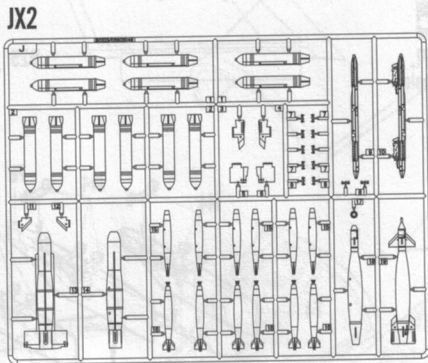
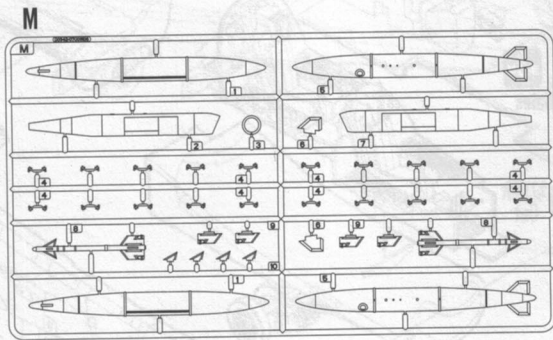
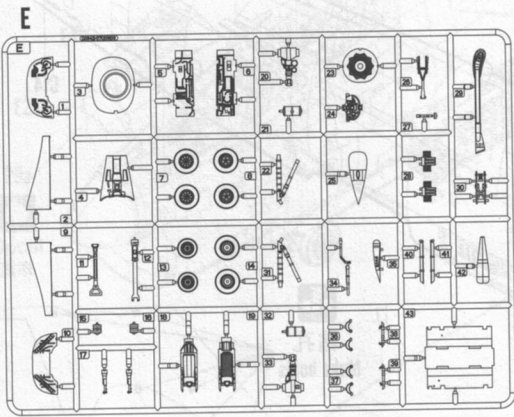
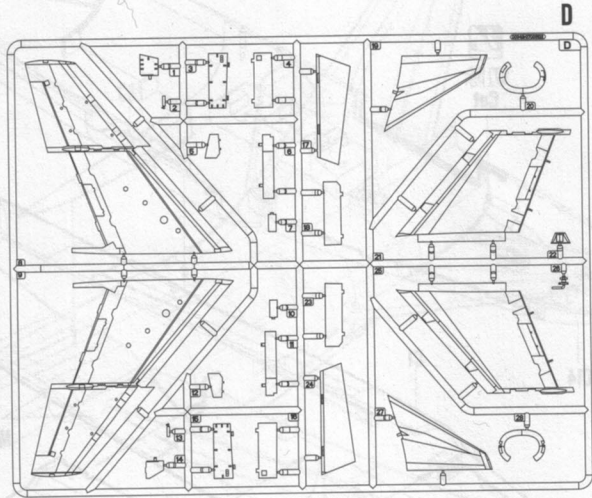
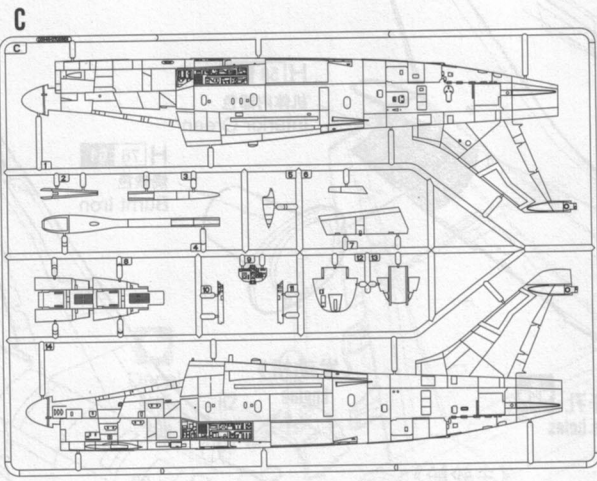
对侧相同
Both sides

制作2组
Make two



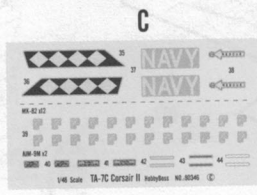
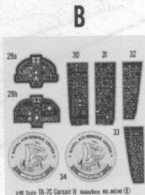
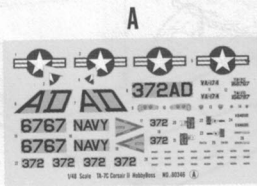
Sta.No.	1	2	3	4	5	6	7	8
Missile/Tank								
MK-82		●●●●	●			●	●●●●	
AIM-9B				●	●			
FLIR			●			●		
Fuel Tank	●	●					●	●

部品图 Parts



不用的部件: C4 C6 D22 D28 E7 E19 E20 E25 E35
 Unused parts: J1 J2 J3 J4 J5 J6 J11 J12 J13 J14 J17
 J18 J19

《水贴》 Decal

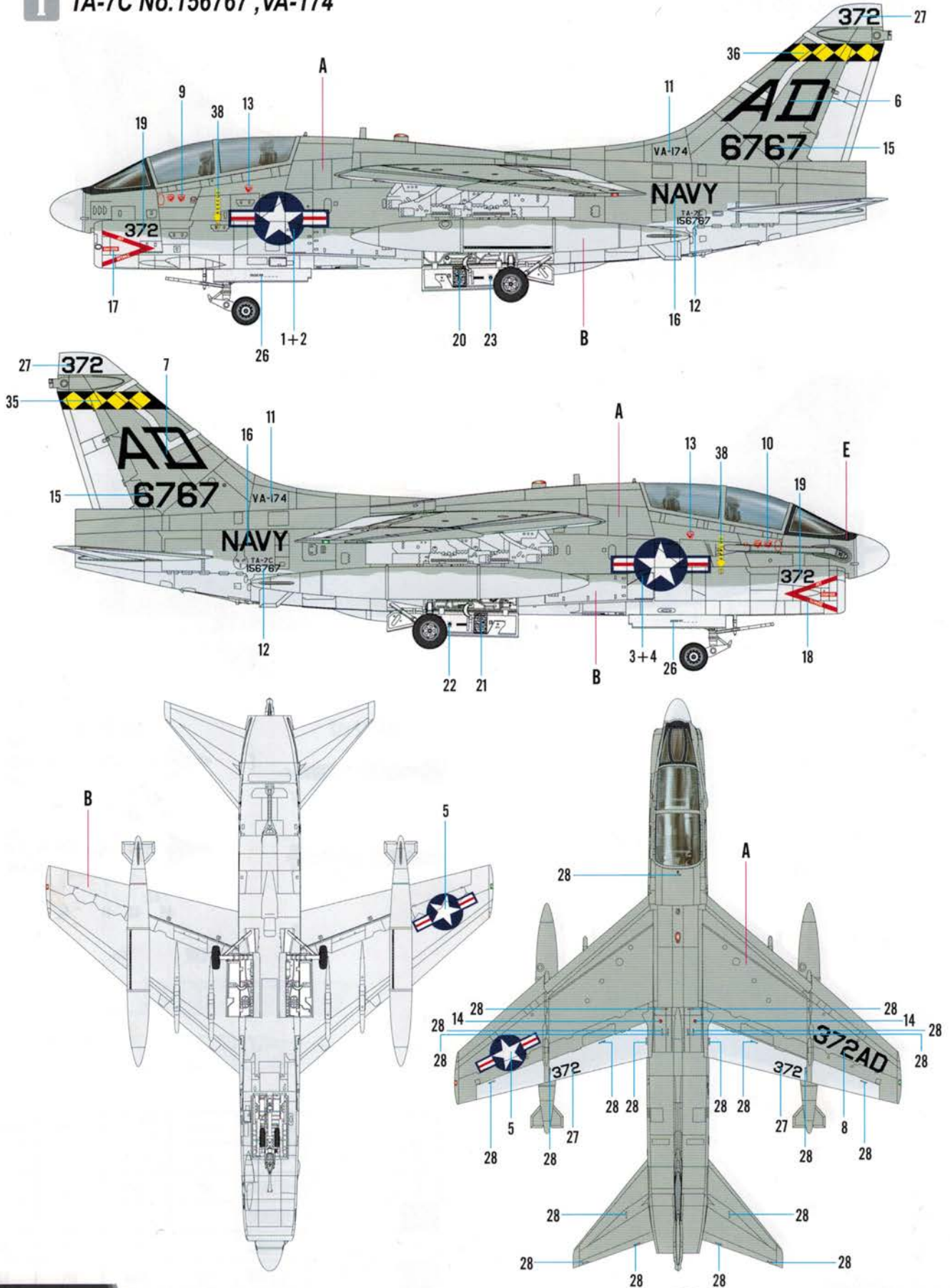


A

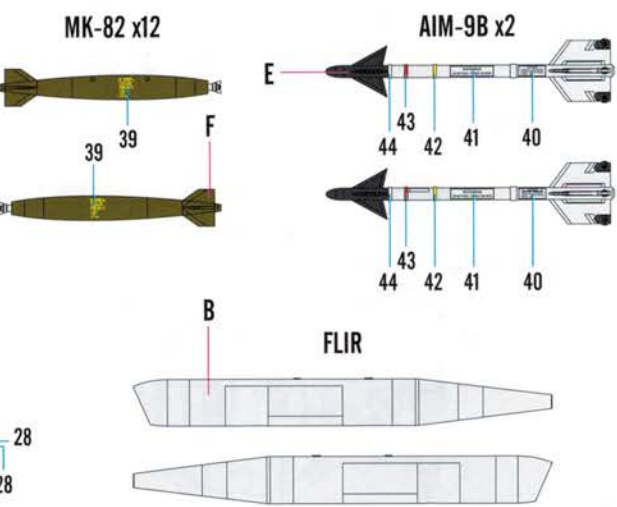
B

C

I TA-7C No.156767, VA-174



II TA-7C No.154500



Color	Mr.Hobby	Vallejo	Model Master	Tamiya	Humbrol
A 灰色 Grey	H 316 315	843	1730	--	129
B 白色 White Insignia	H 316 316	991	1745	X2	22
C 蓝色 Blue	H 328 328	--	1772	--	190
D 黄色 Yellow	H 329 329	--	1514	X8	188
E 消光黑 Flat Black	H 12 33	950	1749	XF1	33
F 橄榄色 Olive Drab	H 304 304	887	1711	XF62	155