

Chase Elliott®

2022 Chevrolet® Camaro ZL1

NASCAR

NASCAR® is a registered trademark of The National Association for Stock Car Auto Racing, LLC.

Hendrick
MOTORSPORTS



OFFICIAL
LICENSED PRODUCT

General Motors Trademark
Used Under License to
Salvinos JR Models, Inc.

Salvinos
JR
Models



1/24TH scale

18 years and older

made in the U.S.A.

salvinosjrmodels.com

DECAL INSTRUCTIONS

Cut the decal from sheet and place it in warm water for a few seconds, then set it on the saucer and allow the decal to loosen from paper. Place paper and loosened decal on desired location and slide paper out from behind decal allowing it to adhere to the surface. Reposition it with a soft

brush, then gently work out any air bubbles that may be trapped under the decal. You can apply a small amount of Micro Sol to decal to help improve fit to any irregular body shapes. Allow to dry overnight before touching decals. We do not recommend clear paint over decals, do so at your own risk.

NOTES:

WHEELS: DARK GUNMETAL

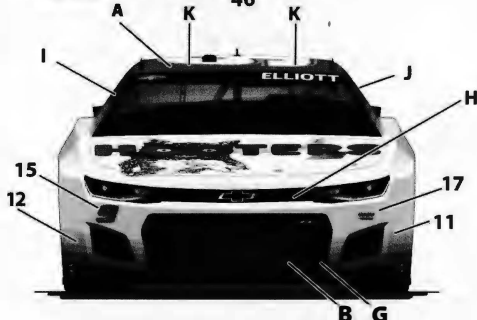
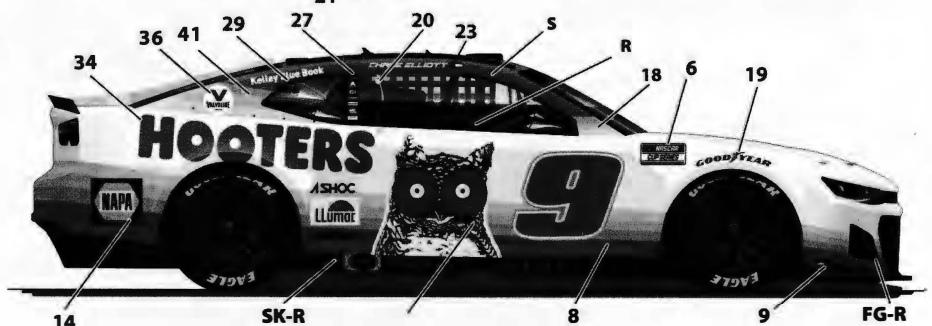
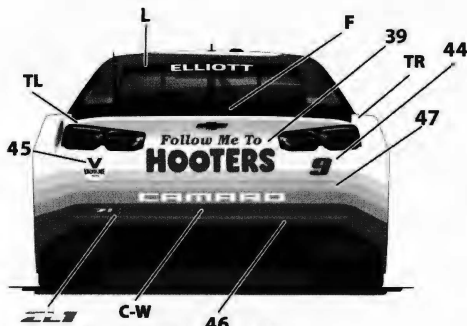
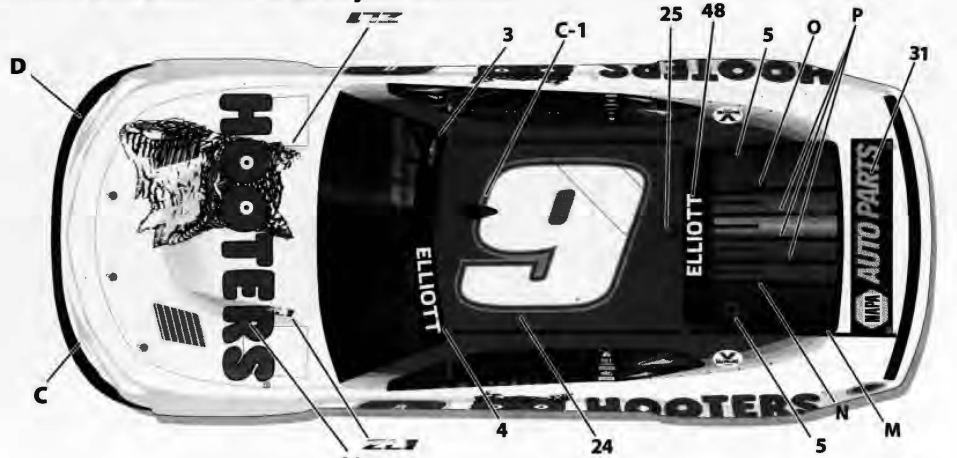
CHASSIS: VERY LIGHT GRAY

BODY: GLOSS WHITE

**BBS DECALS ARE ADDED
ONE PER WHEEL**

DECAL #1 GOES ON ELECTRONIC DASH

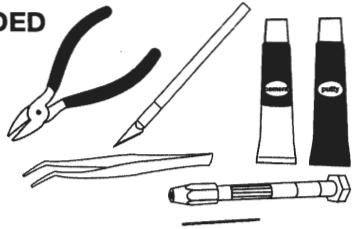
DECAL #2 GOES ON FIRE BOTTLE



This kit is for 18 years and older. Keep out of reach of small children. Do not allow them to put parts in their mouths or the packaging bags over their heads.

TOOLS NEEDED

Side Cutters,
Tweezers,
Hobby Knife,
Pin Vise &
.040 Drill Bit,
Glue and Putty.

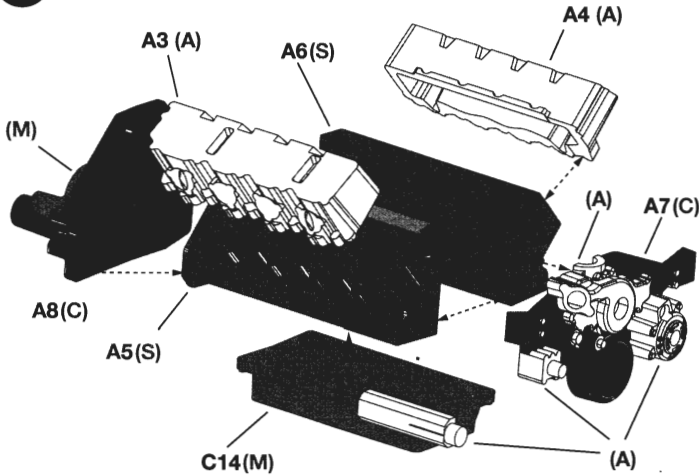


For best results, read this sheet **COMPLETELY** before assembly!
Dry fit parts before paint and assembly, use tube type styrene glue or styrene solvent, never use cyanoacrylate glues! See build video tips at salvinosjrmodels.com/videos.

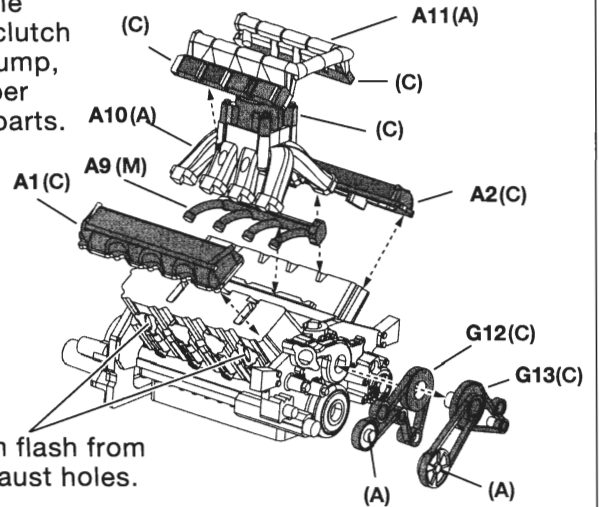
COLOR CODES

(A) aluminum	(R) red
(C) semigloss black	(S) steel
(I) gun metal	(T) titanium
(M) brass	(W) white

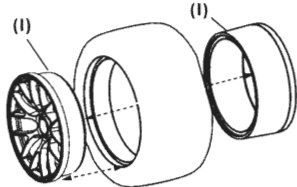
1 Engine assembly



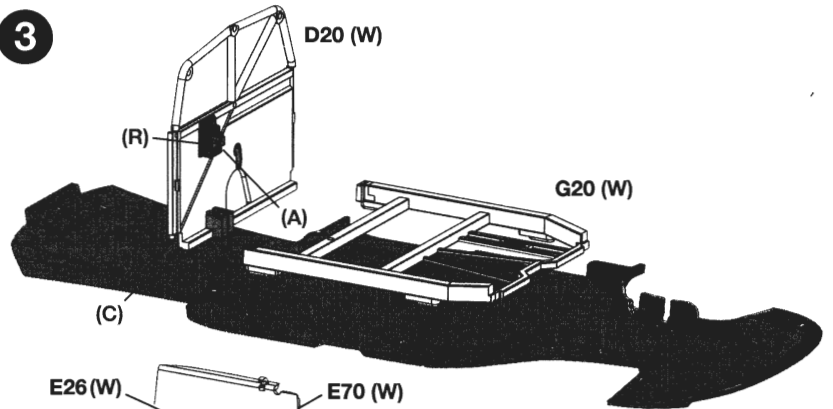
Assemble intake, clutch water pump, and upper engine parts.



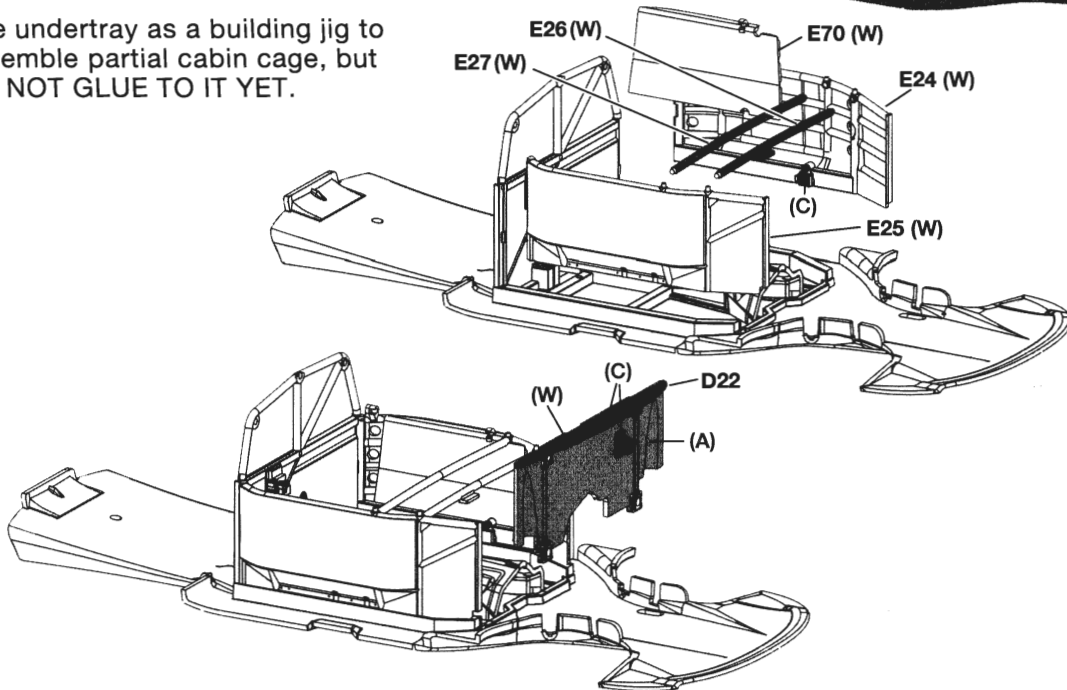
2 Assemble the wheels but do not glue them to the hubs.



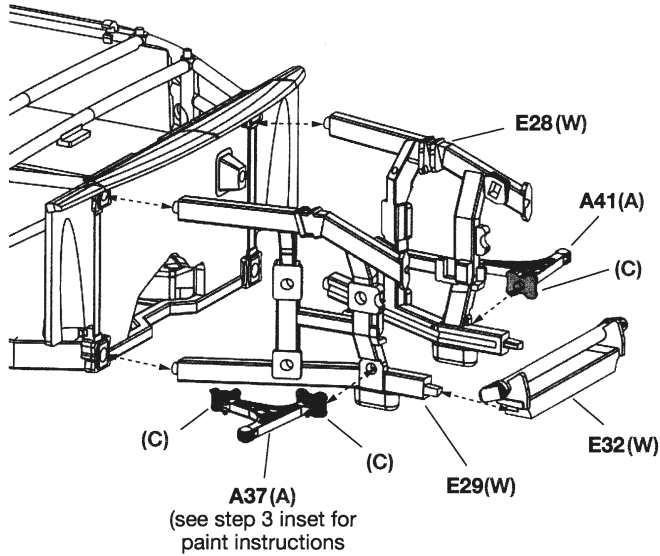
3



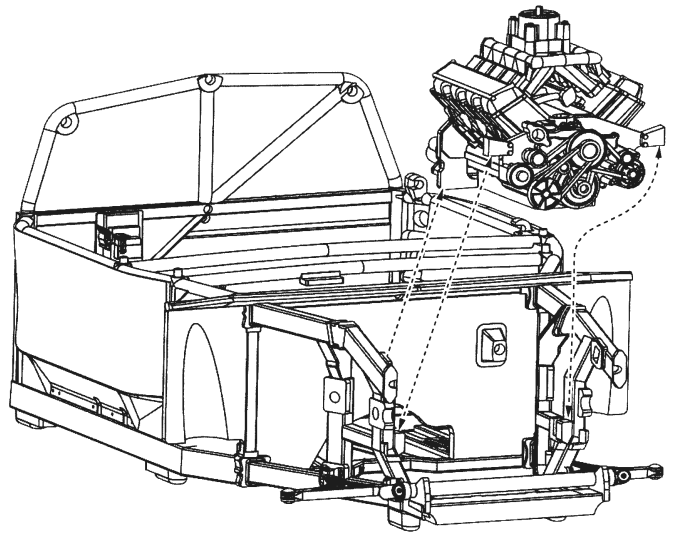
Use undertray as a building jig to assemble partial cabin cage, but **DO NOT GLUE TO IT YET.**



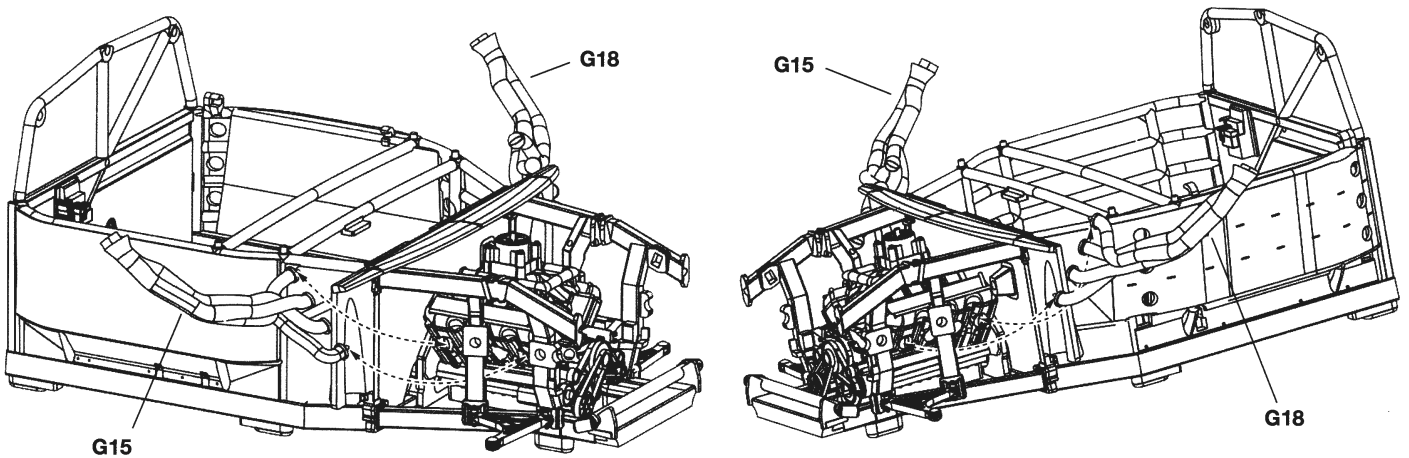
- 4** Assemble and glue partial motor cage to the front firewall - test fit assembly in the undertray. Attach lower front control arms.



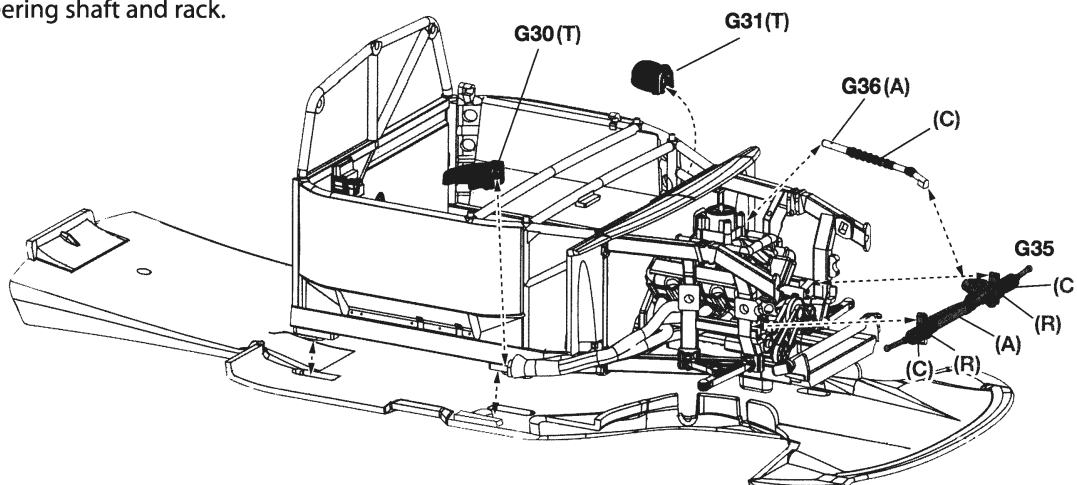
- 5** Glue bottom of clutch bell to roll cage bottom and motor mounts to cage sides.



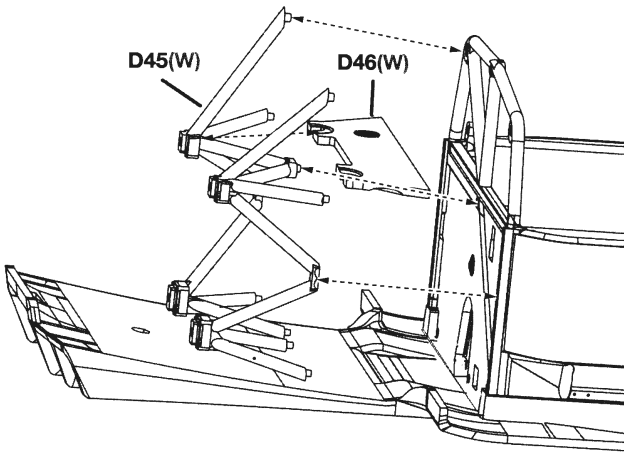
- 6** Rotate headers through cage openings and glue to the heads.



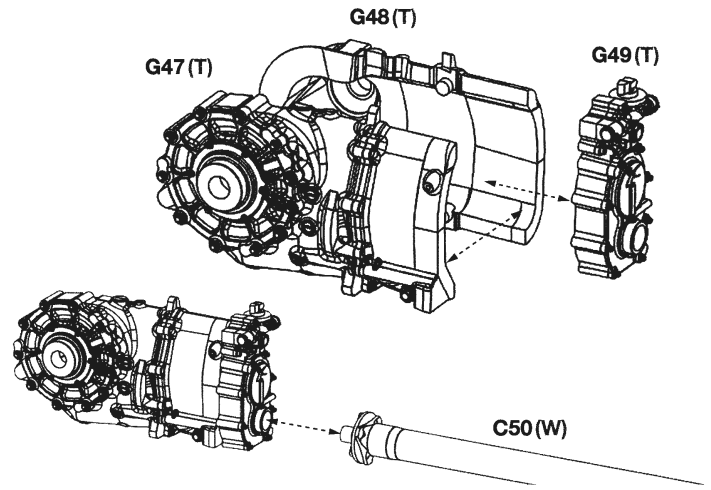
- 7** Make sure all cage parts are glued **very** tightly against the undertray! Glue on the exhaust tips to the headers and undertray, and attach the steering shaft and rack.



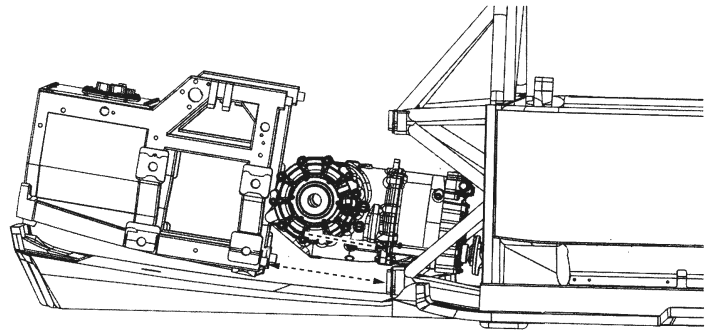
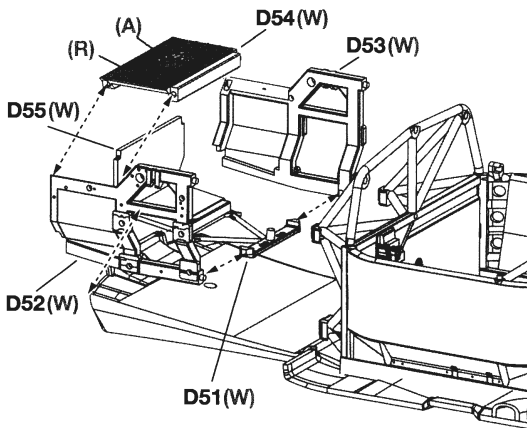
- 8** Glue truss and forward deck piece together and then to the back firewall.



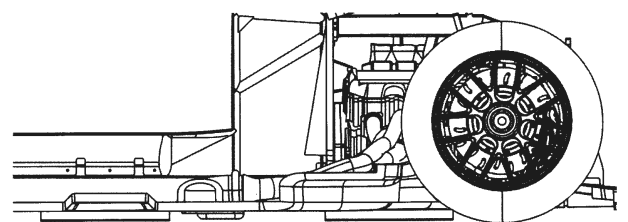
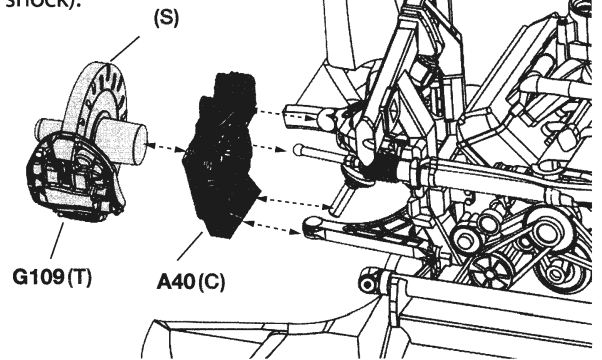
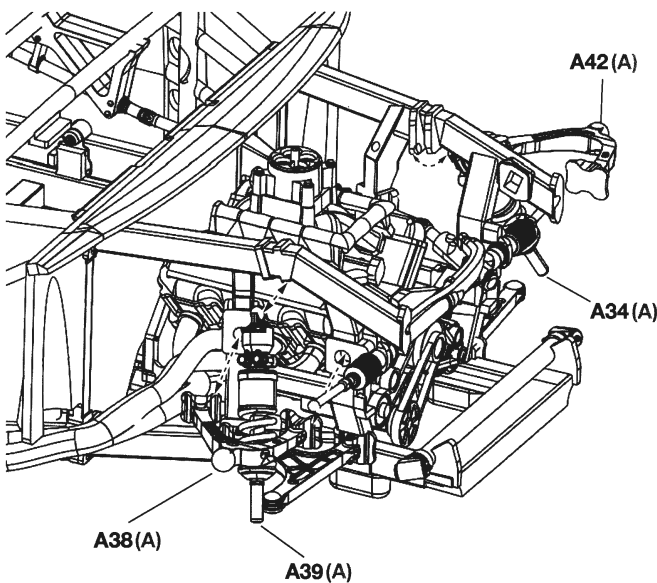
- 9** Glue Transaxle together, glue in prop shaft and insert it through the hole in the firewall and into the clutch bell (do not glue yet).



- 10** Assemble the fuel cell cage. Raise transaxle and slide cage underneath, then glue the cage to the truss. Make sure all cage parts are glued very tightly against the undertray!

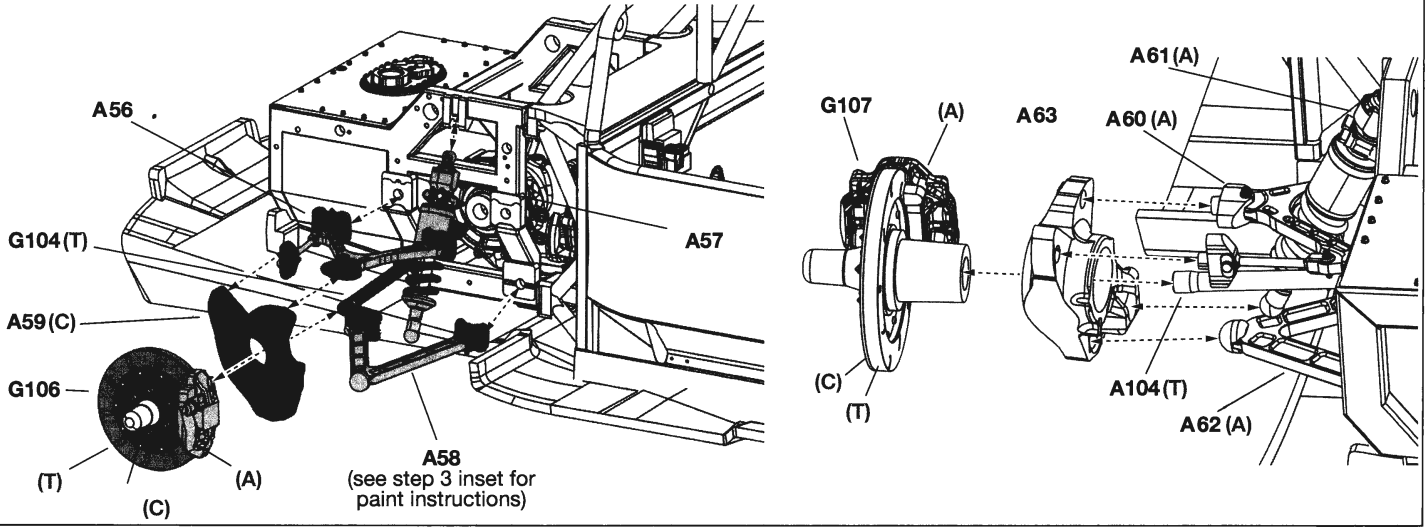


- 11** Assemble front suspension but do not glue to hub! Glue shocks into upper frame, A38 to frame, then hub to A arms, steering shaft and shock). Repeat on left side with parts A42, A34, A41, and G108.

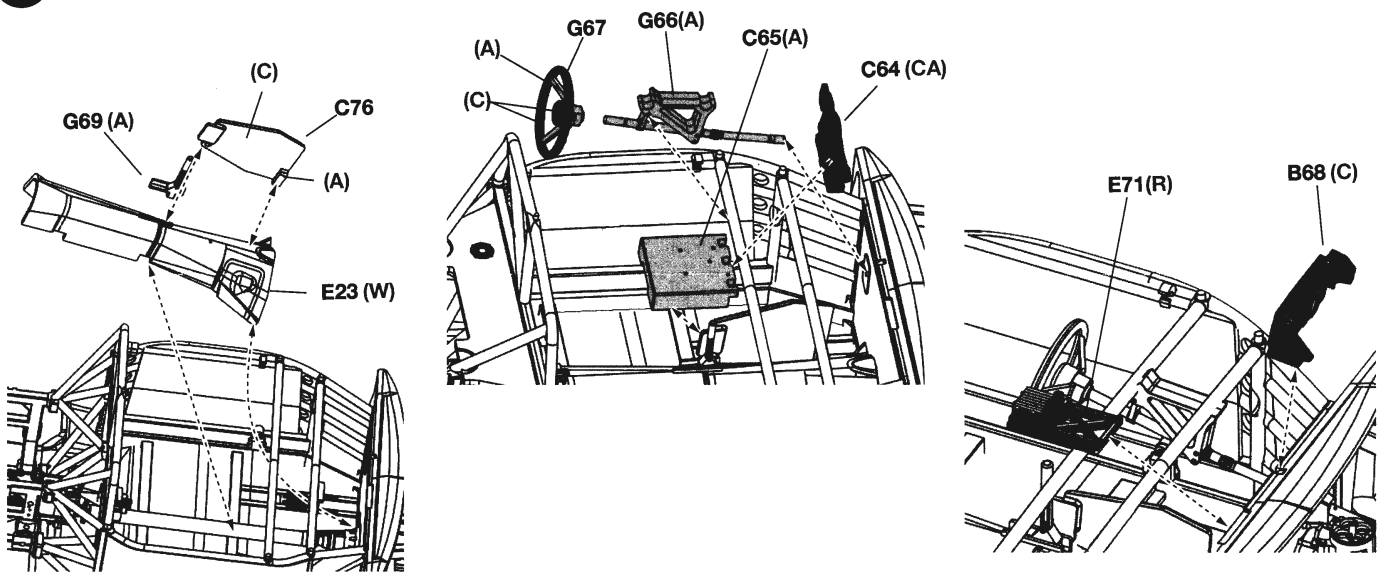


Place pennies underneath for support and for equal ride height.

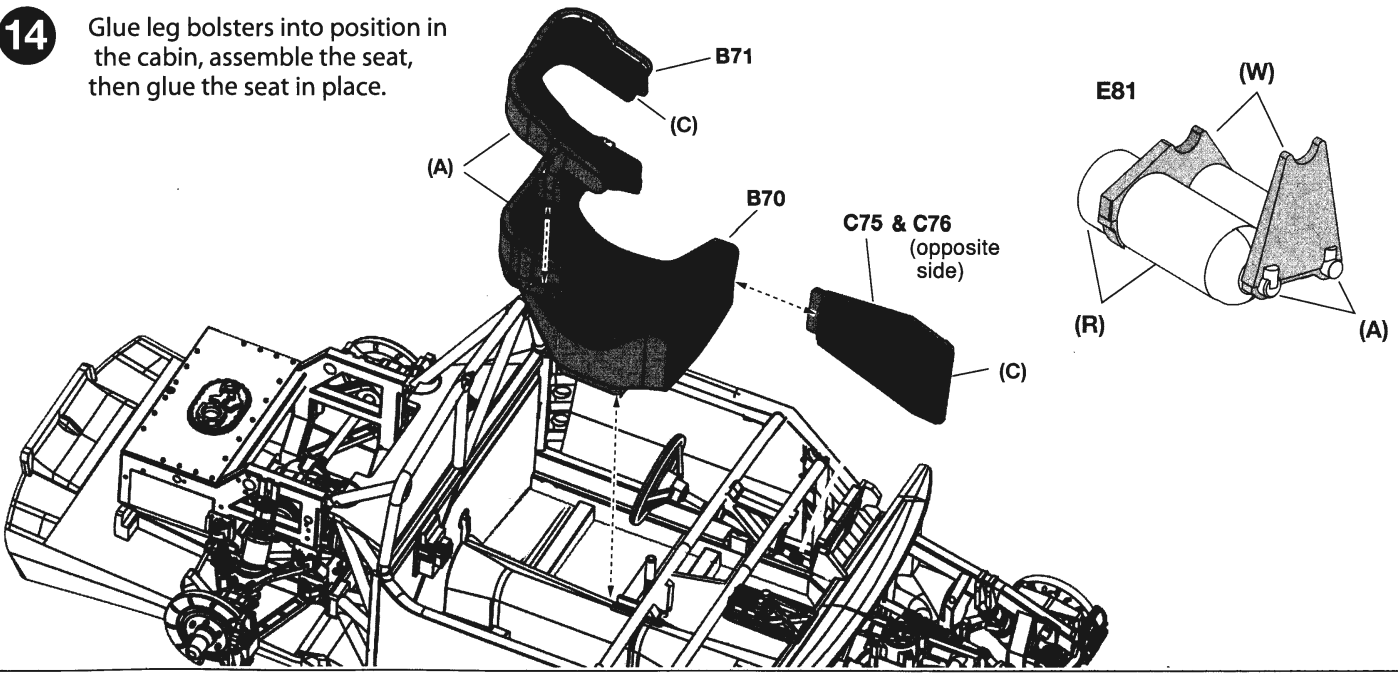
12 Assemble rear suspension right side: glue shock, A56, and A58 into frame and then the other ends into A59. insert G104 through A59 opening and into transaxle, and into G106, and glue in place; repeat on the left side. The arrows on the tree indicate the top of the parts B58 and B62 and point forward, do not flip or reverse them.



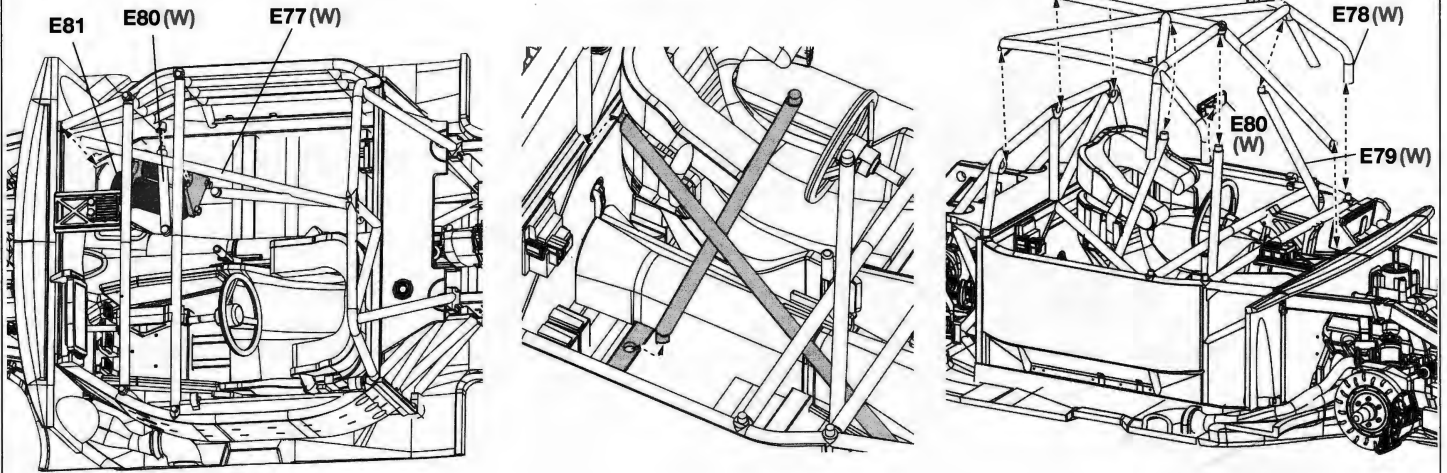
13 Install controls and electronics.



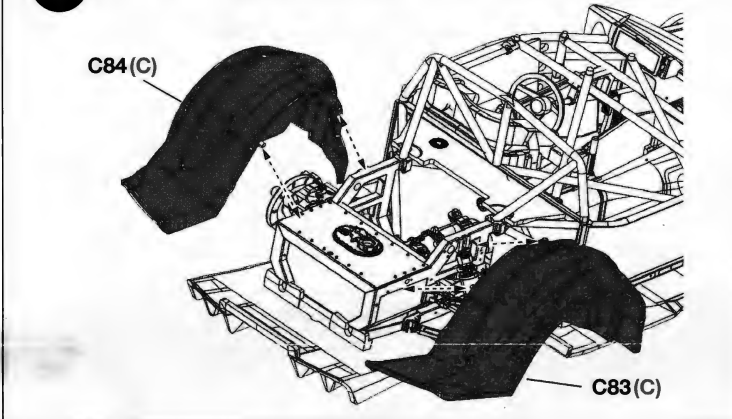
14 Glue leg bolsters into position in the cabin, assemble the seat, then glue the seat in place.



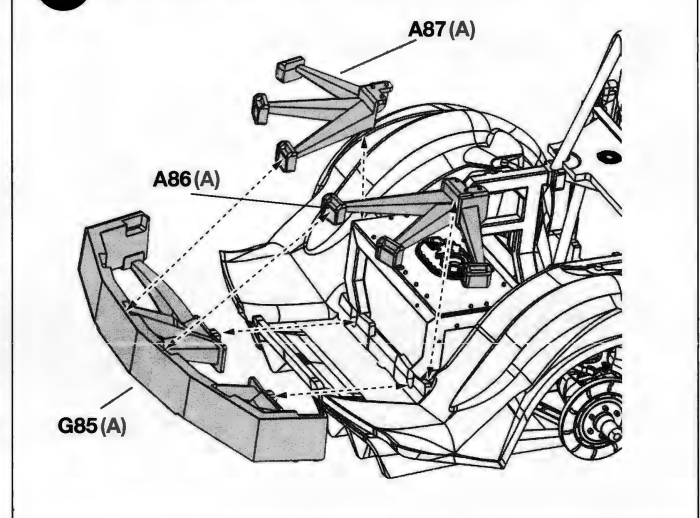
15 Glue in Petty Bars and fire tanks, then cage to side panels top.



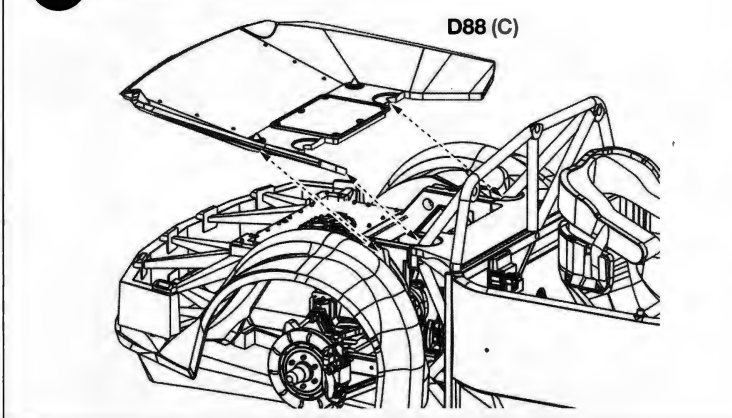
16 Glue in the rear wheel wells.



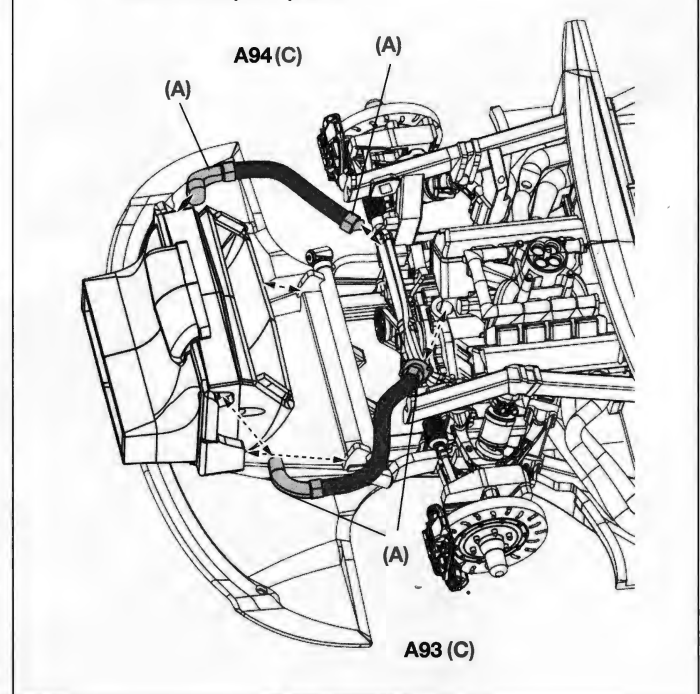
17 Attach the rear bumper.



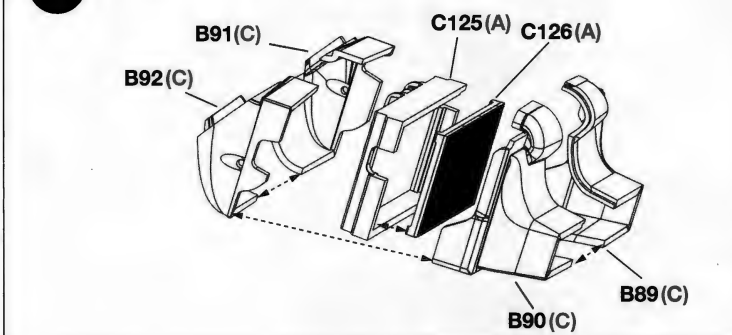
18 Attach the back deck.



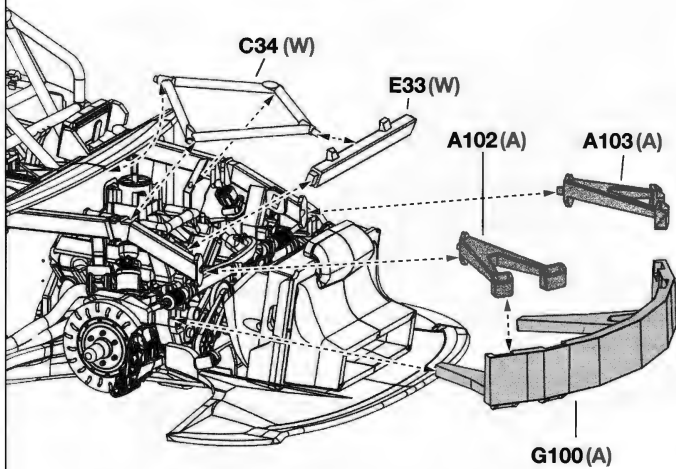
20 Attach the radiator intake and glue to the front lower cross member and the bottom to the pan (test fit step 24 parts).



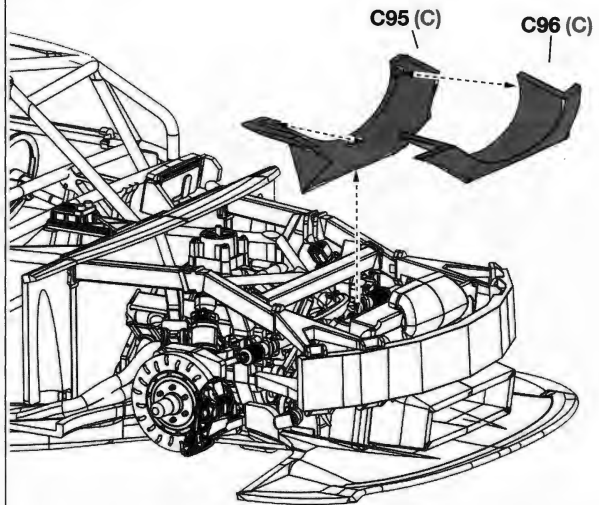
19 Assemble the radiator and housing.



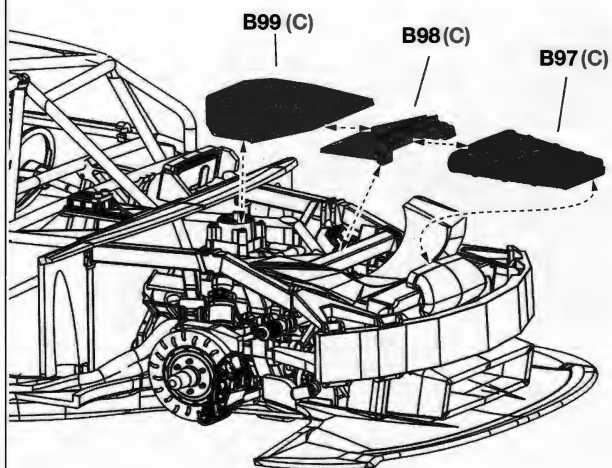
21 Complete the engine cage, spread G100 slightly to fit around radiator shroud, glue along with upper supports.



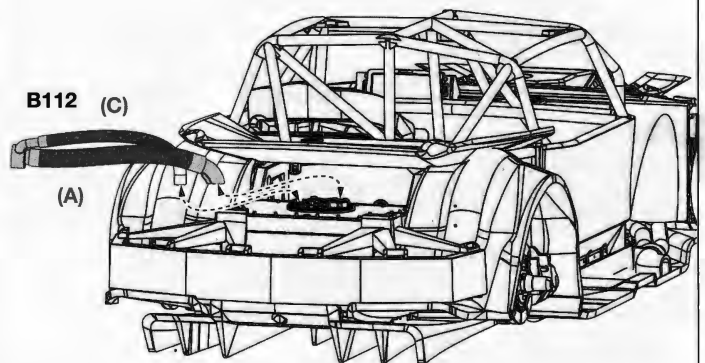
22 Glue together the intake snorkel parts.



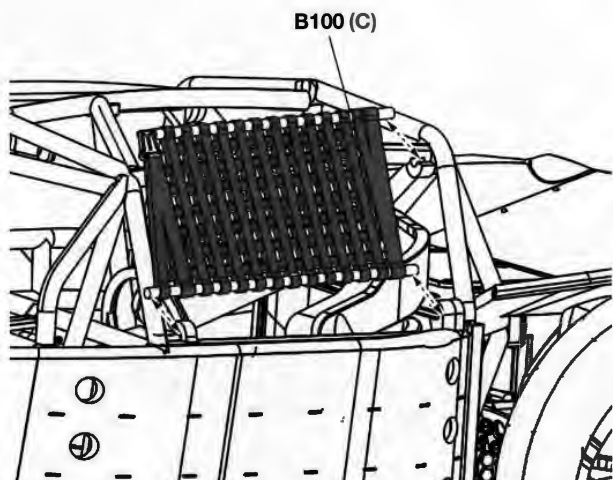
23 Assemble and attach the snorkel (gluing optional on B99).



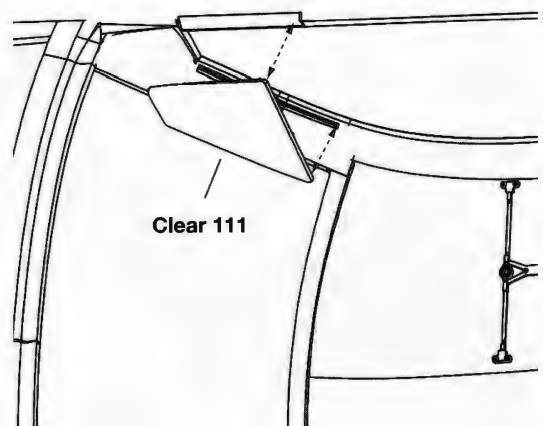
24 Glue fuel filler into the top of the fuel cell and glue on wheels.



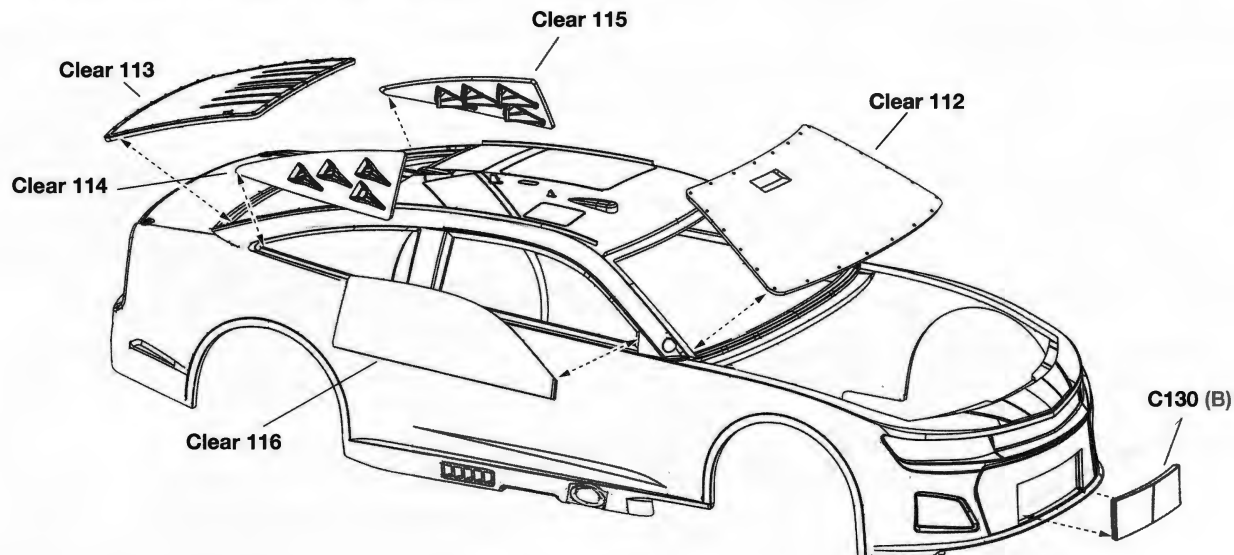
25 Glue window net into roll cage.



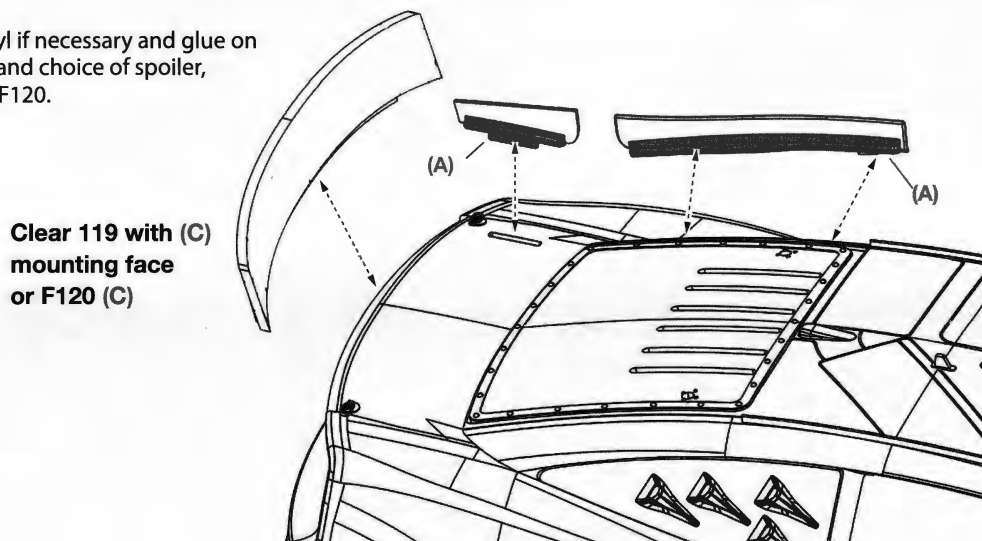
26 Glue triangular net or clear window into body.



27 Glue the windows (use Shoe Goo or Mod Podge).



28 Trim the vinyl if necessary and glue on vertical fins and choice of spoiler, clear 119 or F120.



29 Place finished body onto the chassis. Admire your work!

