

Marking & Painting 涂装和标贴

	Color Name	FS/RAL Standard	VIC.	TAMIYA	Mr. HOBBY	Vallejo
a	Old Rust	FS 30040	MA216	XF-68	TC 11	70.302
b	Panzer Olive Green	RAL 6003	MA021		C 303	70.890
c	German Grey	RAL 7021	MA019	XF-63	C 40	71.052
d	Gun Metal	RAL 9007	MH002	X-10	C 78	71.073
e	Wood Base	FS 30475	MA018	XF-78		70.819
f	Wood Brown	RAL 8007	MA015		C 43	71.032

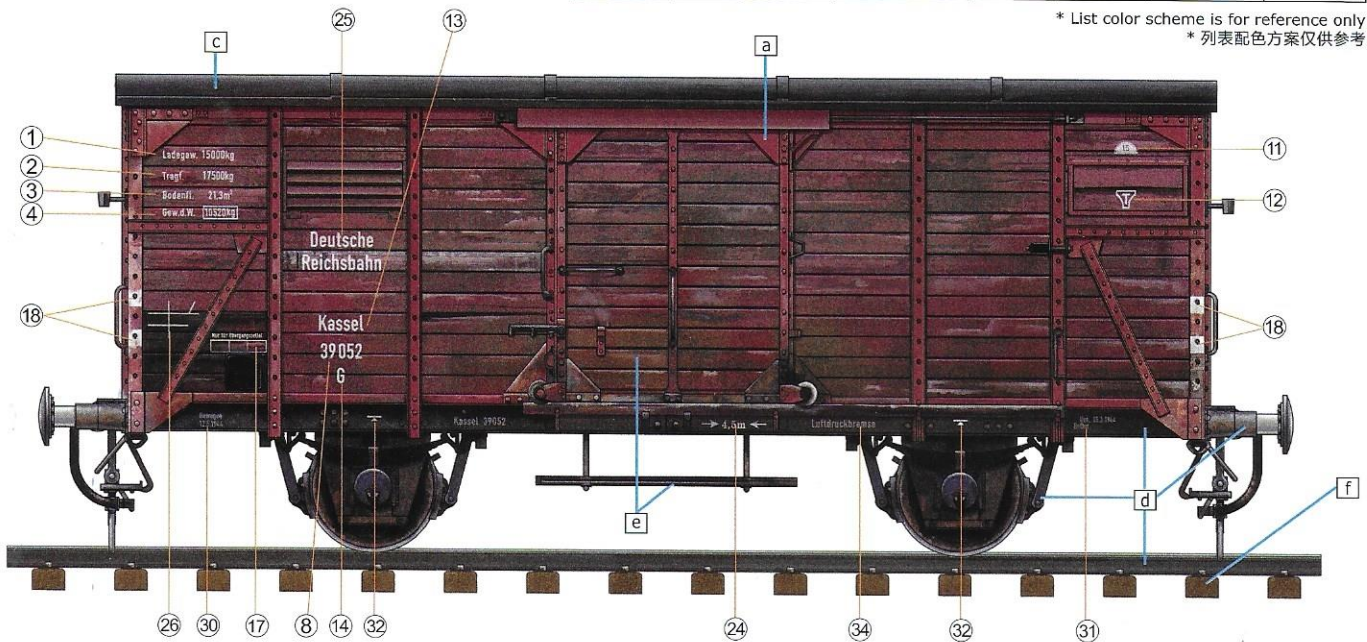


Decal application

1. Clean model parts surface with wet cloth.
2. Cut each required design out of decal sheet and dip them in clean warm water for about 15 sec.
3. Place decal on proper position of kit surface and slide off base paper carefully.
4. Move design to exact position with wet finger tip.
5. Press decal gently down with a soft cloth until excess water and air bubbles are gone.

* List color scheme is for reference only
* 列表配色方案仅供参考

A



B

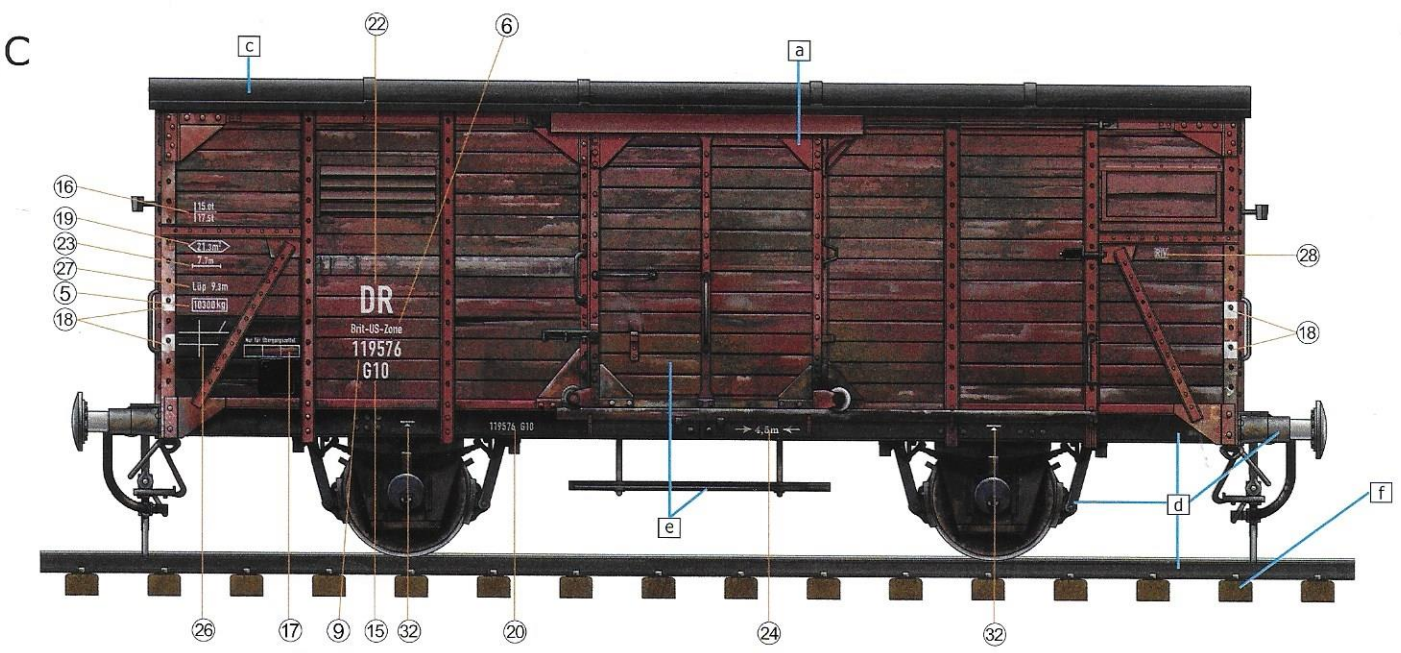
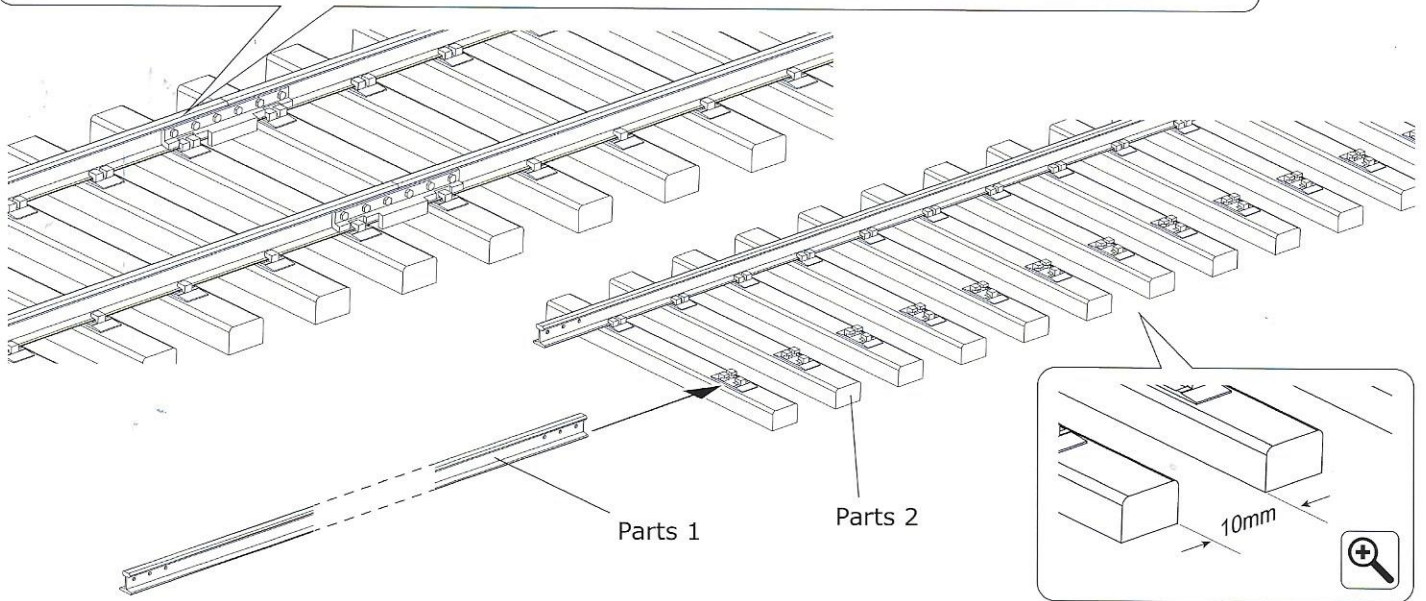
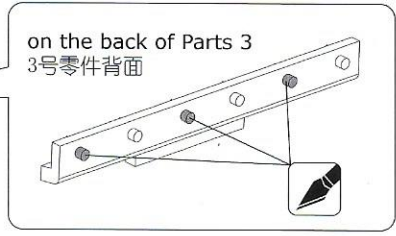
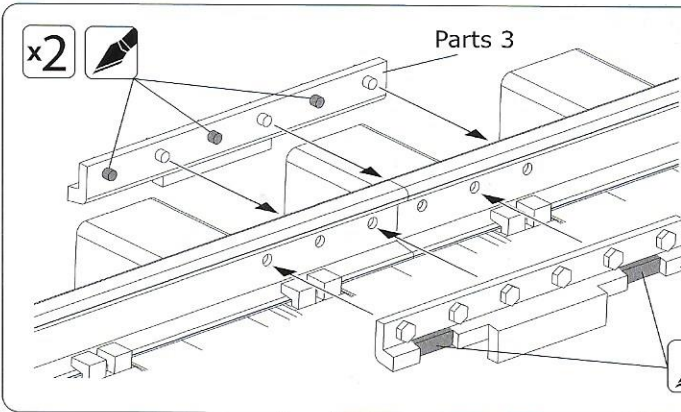
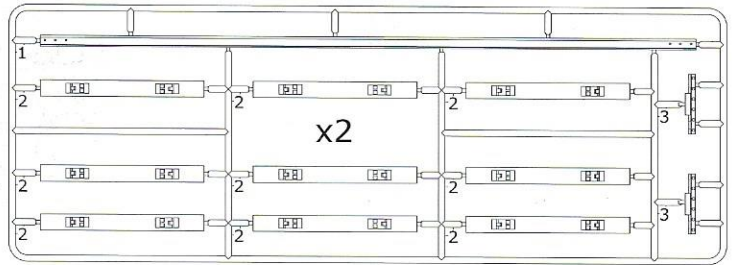


Decal



RAILWAY TRACK SET

For railcar wheels carrier **1/35 Scale**



USER MANUAL 产品制作手册

Please read the following before assembly

1. This product is the parts of the unassembled precision models. It requires special tools to assemble and paint the model. Glue, paint or tools are not included.
2. This product is for children of 14 and up, younger children should be under adult supervision. For those who will make the model and caregivers, please read manual carefully to understand the procedures.
3. Please be careful when using special model scissors, pencil sharpener or special dedicated file to remove the excess plastic materials on the surface. Do not damage or lose.
4. Please use special adhesive to assemble model parts. Please use power glue for metal parts carefully since it might cause be too powerful for the parts.
5. Please read the notes before using glue, painting or decal.

制作前请仔细阅读以下事项

1. 本产品为未组装的比例模型套装零件，需要使用模型专用制作工具自行组装和上色。本产品内不含粘合剂，涂漆和工具。
2. 本产品适合14岁以上儿童和成年模型爱好者，低年龄者请在成人监管看护下制作。制作者和看护者请仔细阅读本制作手册，了解基本制作流程和注意要点。
3. 请小心使用模型专用剪，专用笔刀或专用锉刀去除零件表面多余注塑胶料，不要损坏或丢失。
4. 请使用模型专用粘合剂粘合零件组装。金属零件粘合请小心使用强力胶，过量强力胶使用可能导致可动零件完全粘合。
5. 使用粘合剂，涂漆和水贴之前请阅读相关注意事项。

x2 Make 2 Pcs 制作二组	Optional 选择模式	Remove / Cut 切削	Bend 弯曲	Apply Decal 贴水印纸	Instant Glue For Metal 用强力胶
Open Hole 钻孔	Caution 小心注意	Do Not Cement 无需粘合	Weight 配重	Fill Hole 填平	14+ Kit suitable for ages 14 to adult 本产品适合14岁以上青少年及成人收藏者

Warning

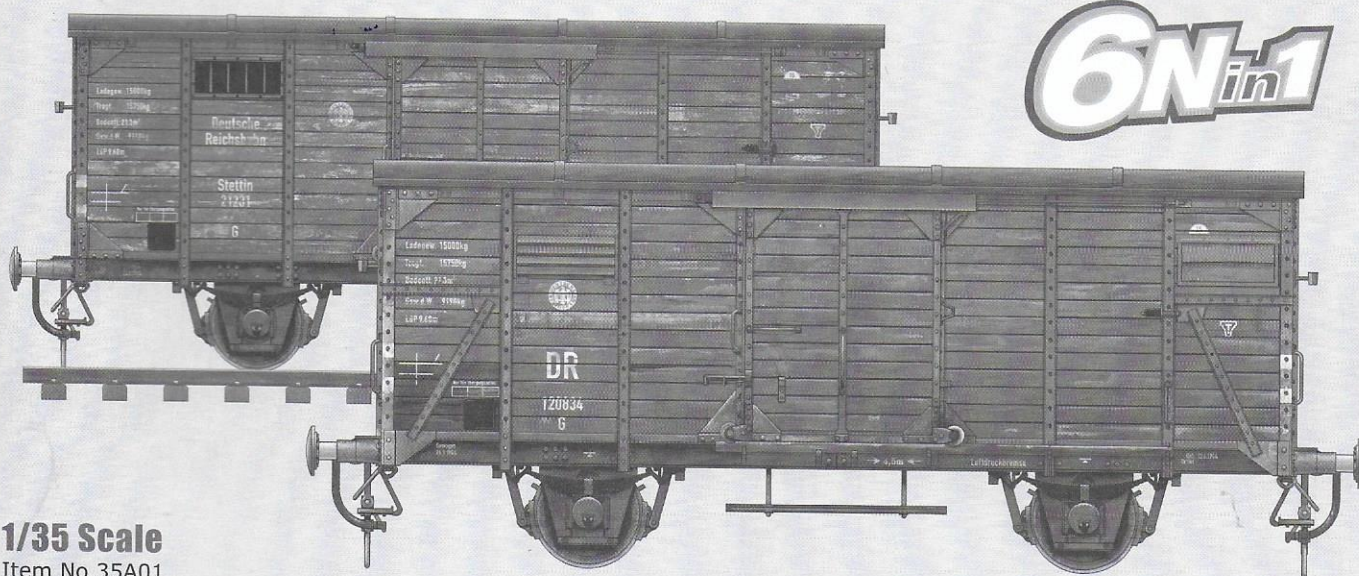
- ▲ Do not use glue or paint near the fire, please keep good air circulation.
- ▲ Please be careful with the tips of both tools and parts. Please pay special attention to photo-etch parts to avoid scratch or injury.
- ▲ Please keep away from children, pets or anyone who need special care. Avoid any possible injury from small parts and tools. please keep plastic bags away from children or pets.

特别注意

- ▲ 切勿在近火处使用胶水或涂漆，请保持制作环境的空气流通。
- ▲ 请小心制作工具和零件的尖端，处理蚀刻片时请特别注意，防止划伤，避免伤害。
- ▲ 制作时请远离儿童、宠物和需受监护的人员，避免细小零件和工具对其造成损伤。请将产品中的包装塑胶袋远离儿童和宠物避免发生窒息危险！

COVERED G10 WAGON (GEDECKTER GÜTERWAGEN G10)

德國兩軸G10型全封閉廂式運輸車 ドイツ2軸G10型クローズド・ボックス・トランスポーター

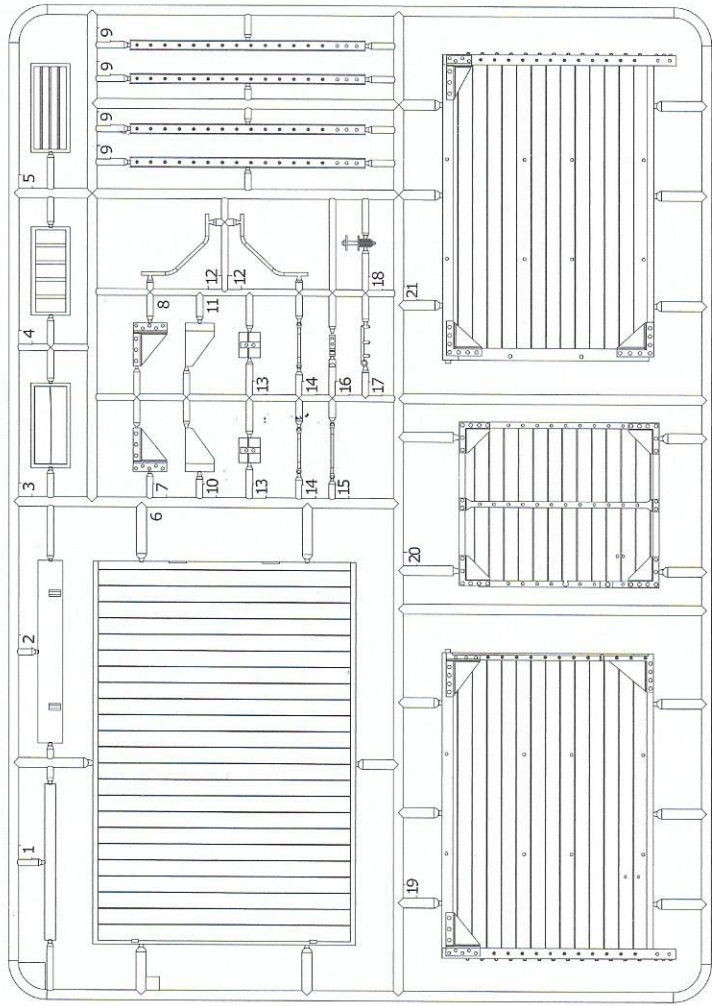


1/35 Scale
Item No 35A01

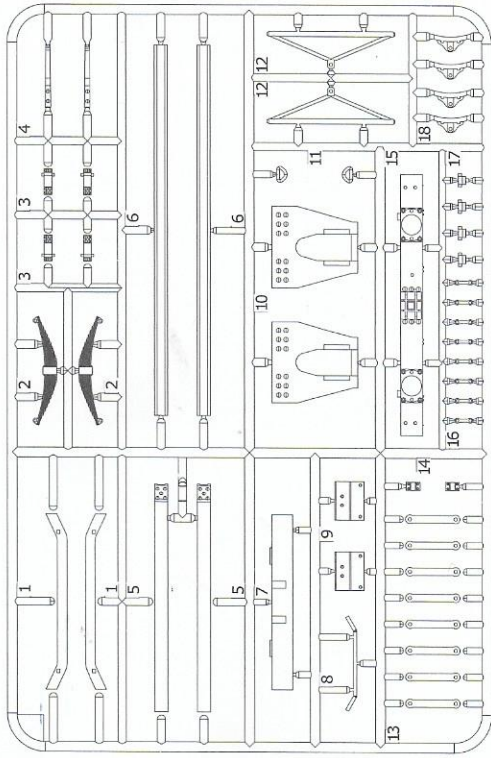
- ★ Accurately-reproduced outline
- ★ More than 6 different statuses for assembly
- ★ Kit contains over 300 parts
- ★ Complete Photo-etched replacement parts provided

produced by **SABRE**

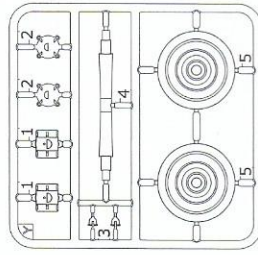
W X2



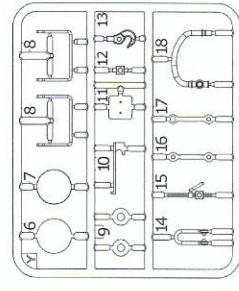
X X2



Y1 X2



Y2 X2



Metal Tube X2
金屬圓棒

A X2

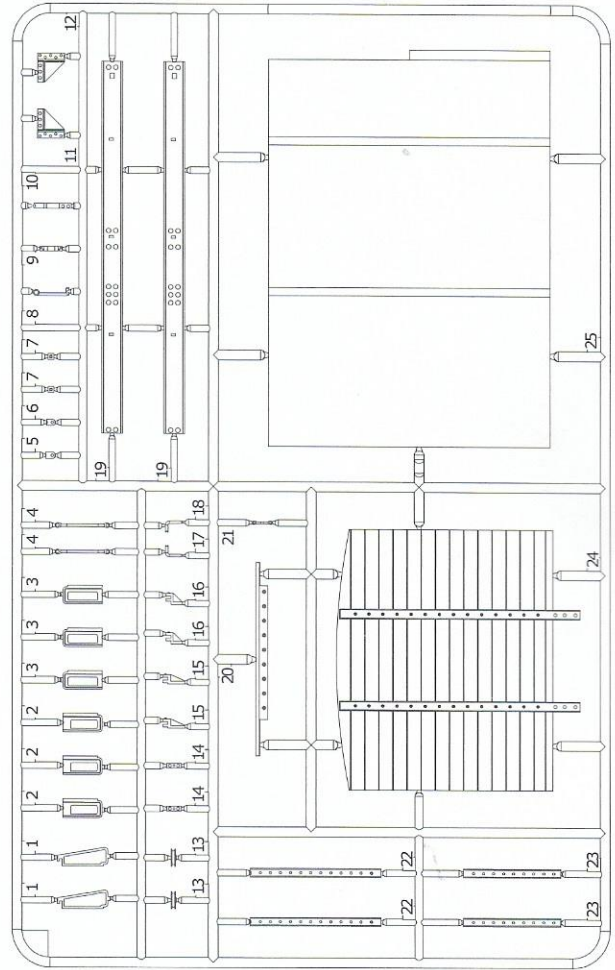
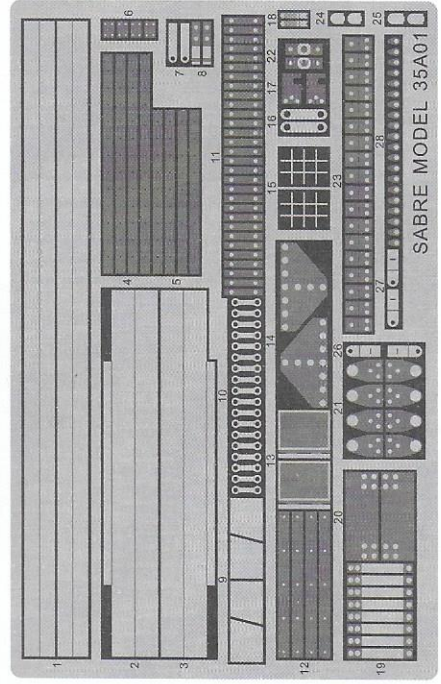
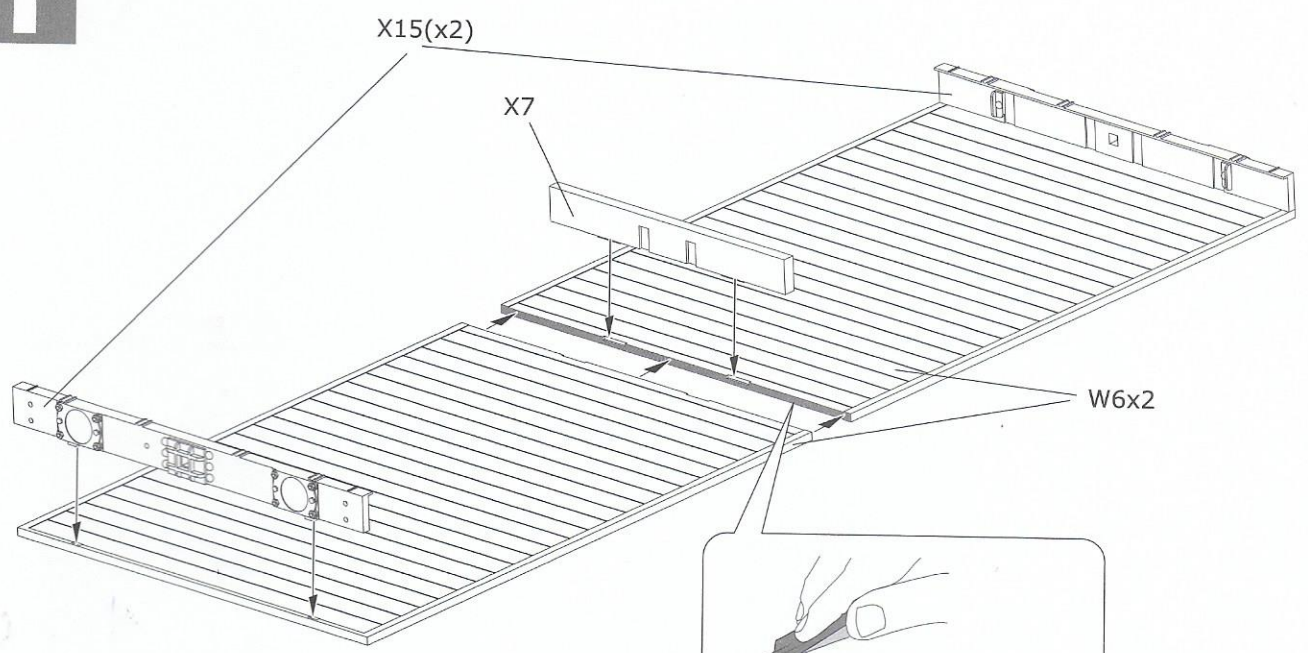


Photo-etched Parts 蚀刻片 X1

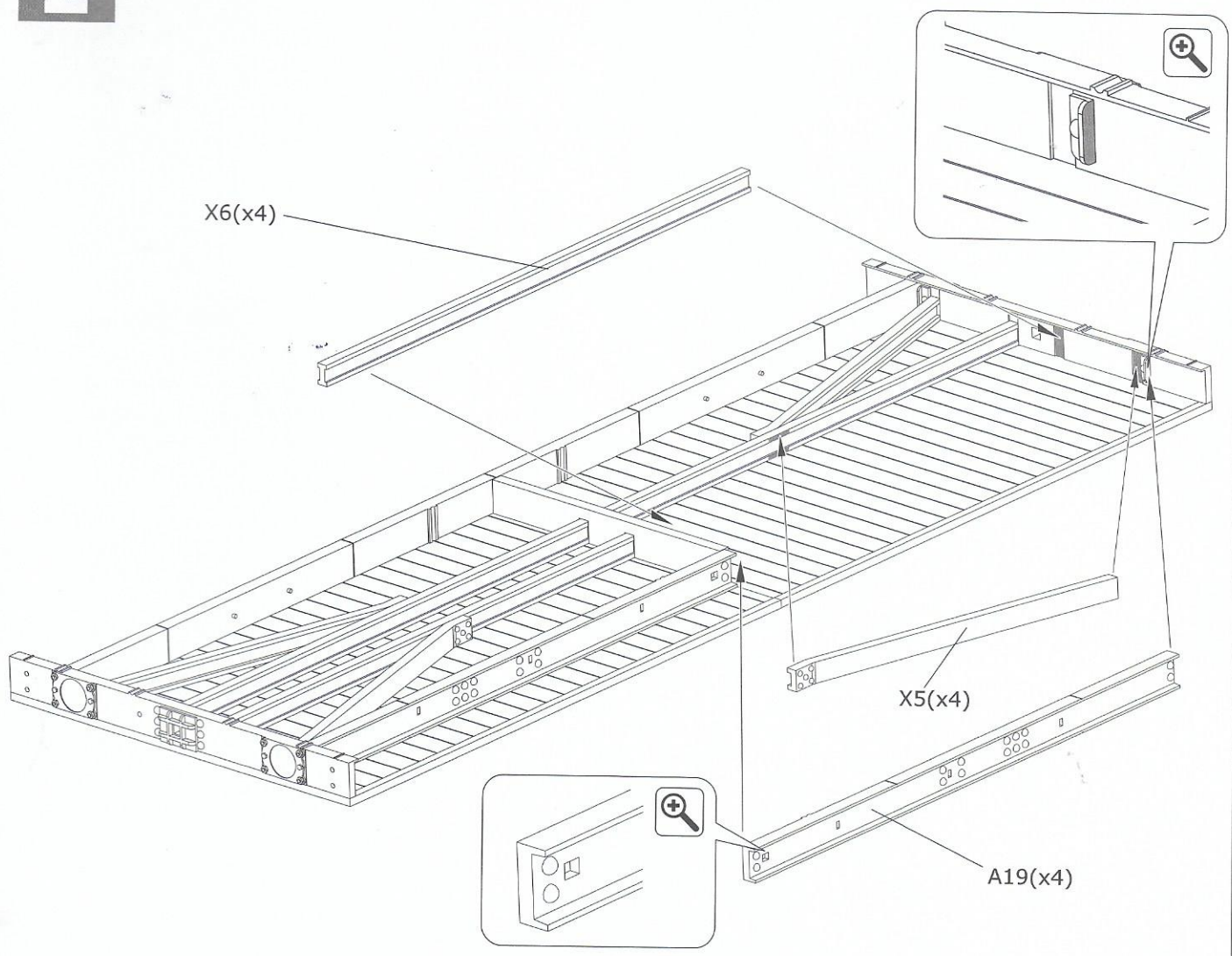


SABRE MODEL 35A01

1



2



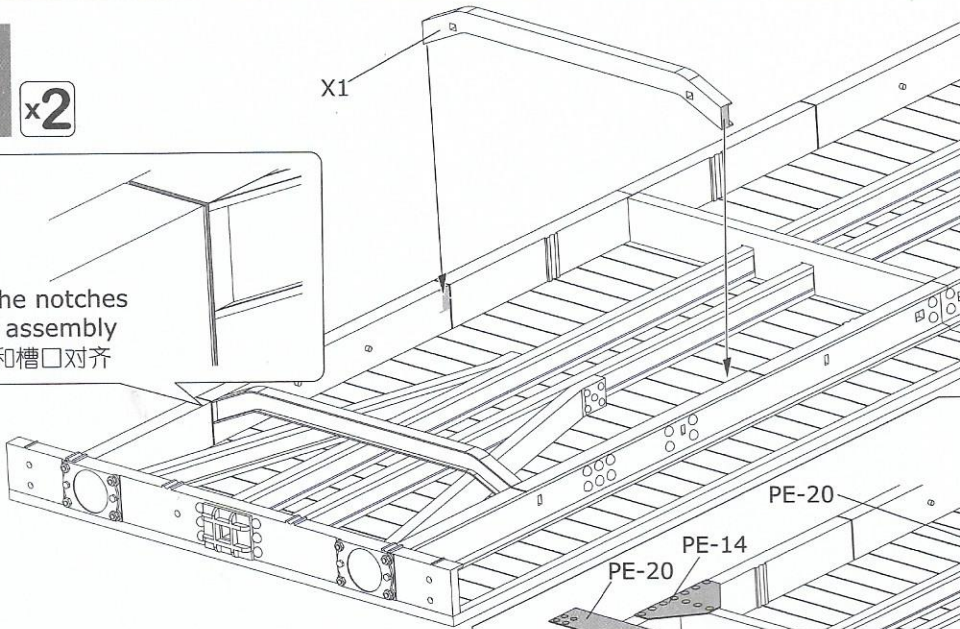
3

x2

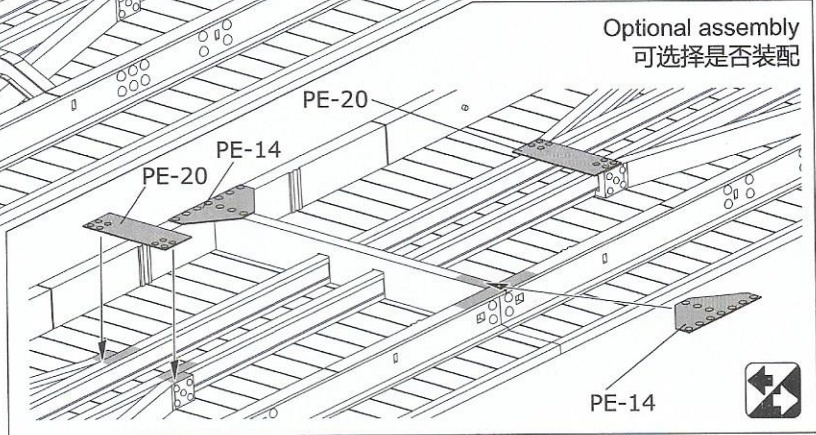
X1



Align the notches during assembly
装配时和槽口对齐



Optional assembly
可选择是否装配



4

x2

X12

X8

2 mm



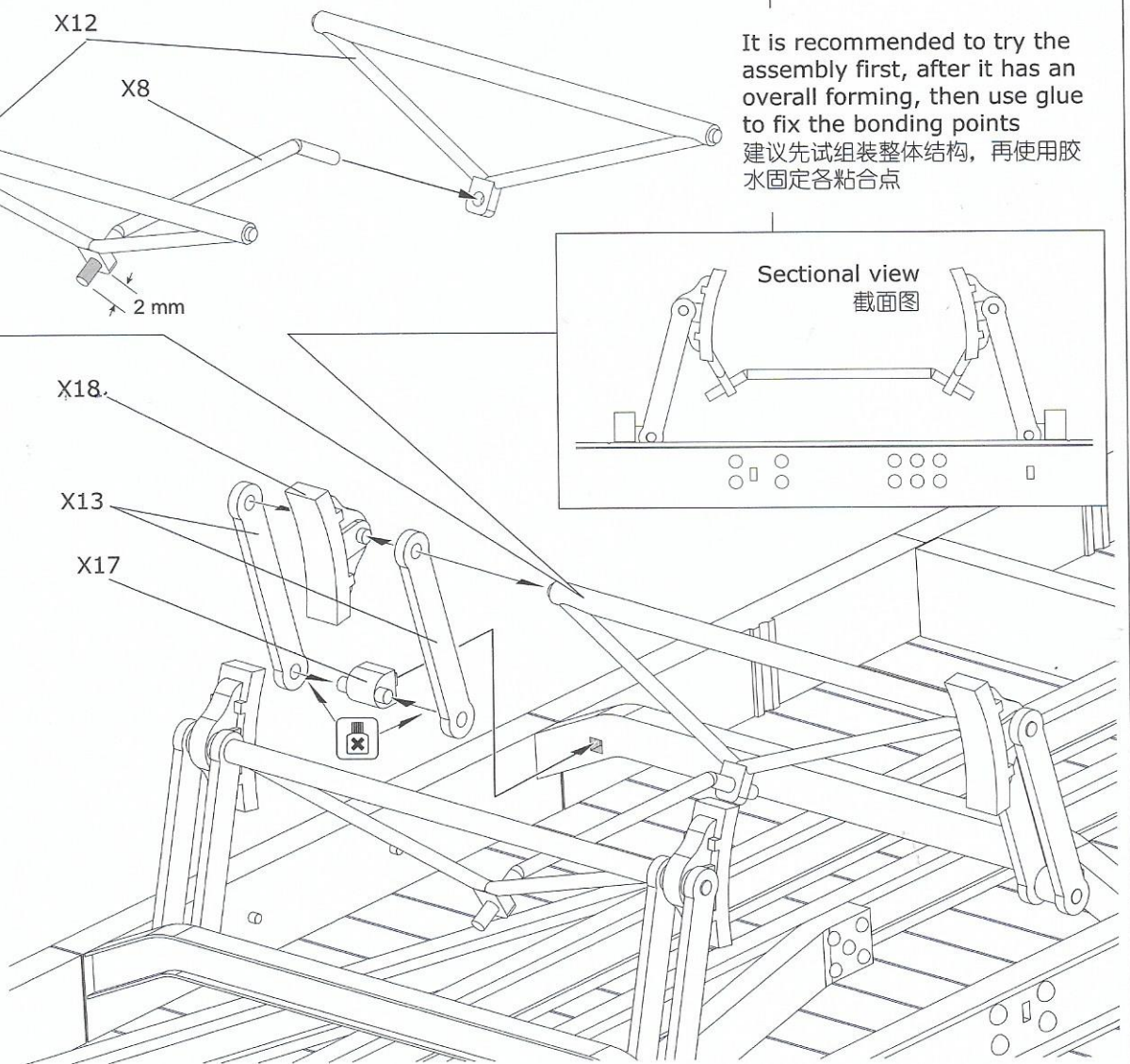
It is recommended to try the assembly first, after it has an overall forming, then use glue to fix the bonding points
建议先试组装整体结构, 再使用胶水固定各粘合点

Sectional view
截面图

X18

X13

X17

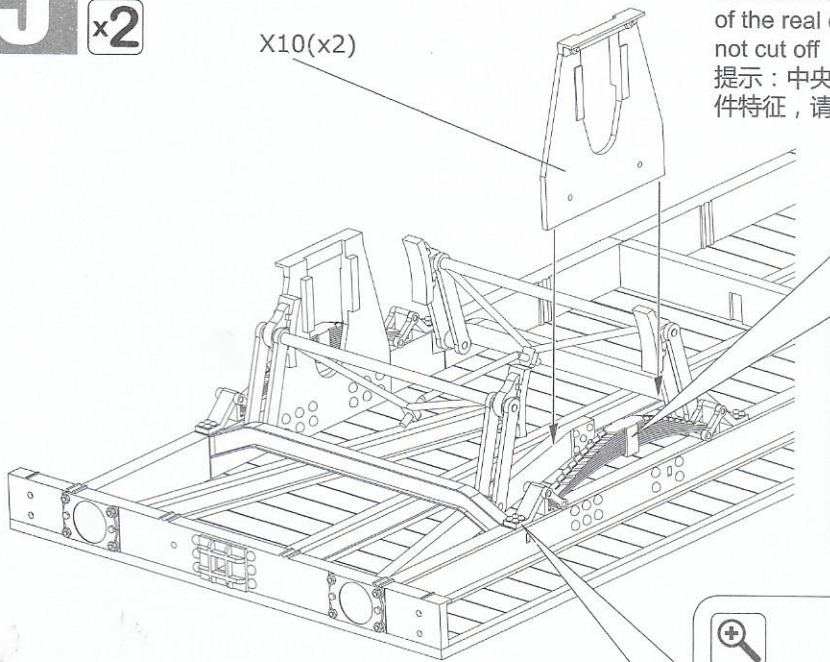


5 x2

X10(x2)

Warning: The central narrow convex line is the characteristics of the real car parts, please do not cut off

提示：中央的细凸线条是实车零件特征，请不要切除



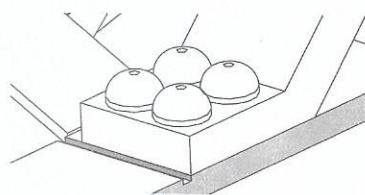
X2

X3

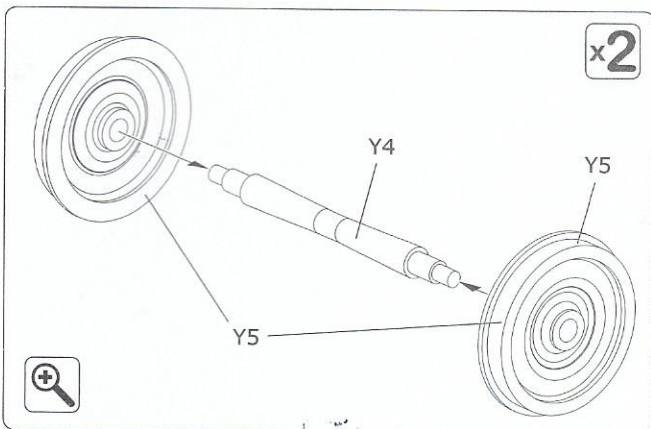
X16(x4) PE-10

6 x2

x2



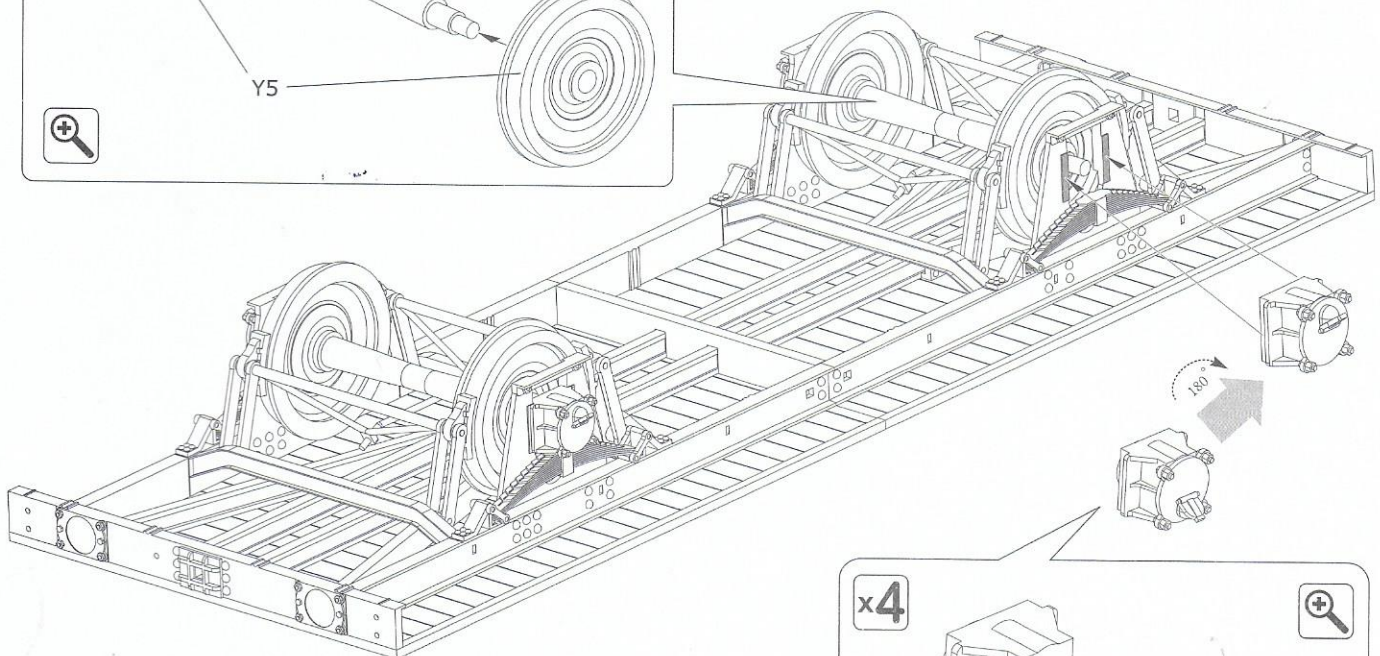
Align the notches during assembly
装配时和槽口对齐



Y4

Y5

Y5



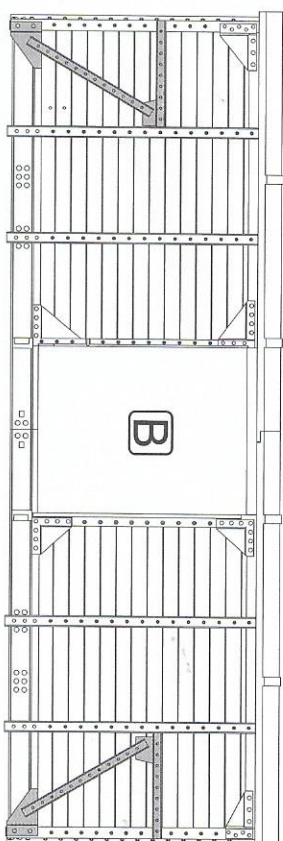
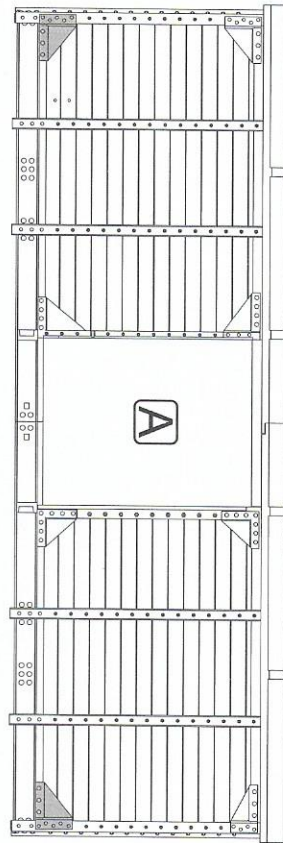
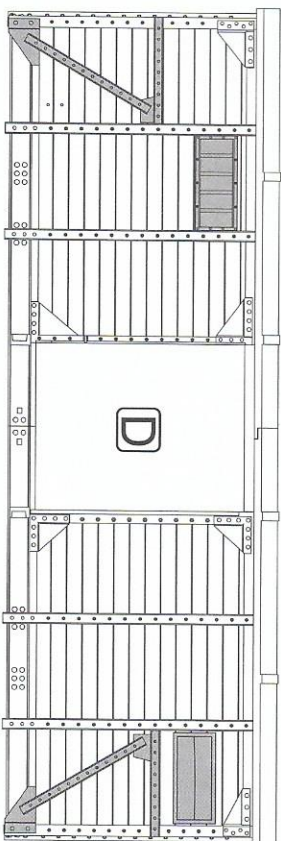
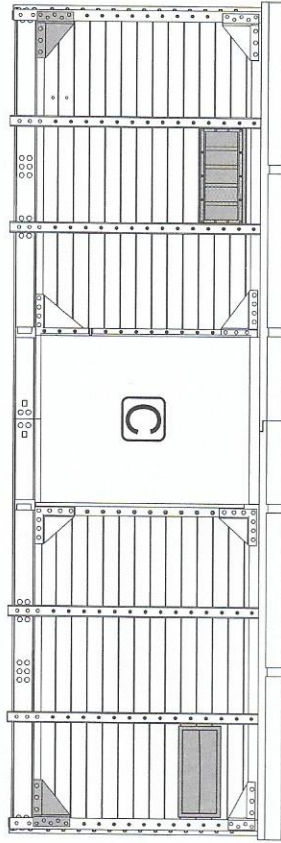
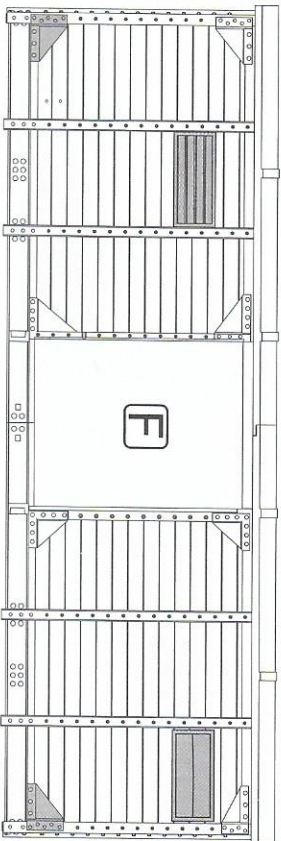
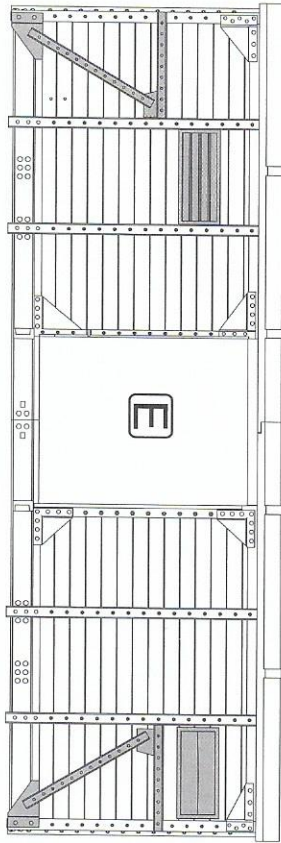
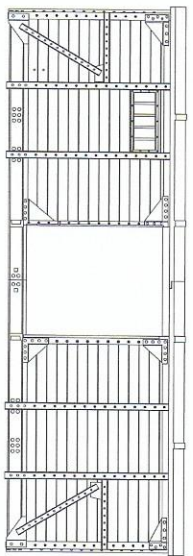
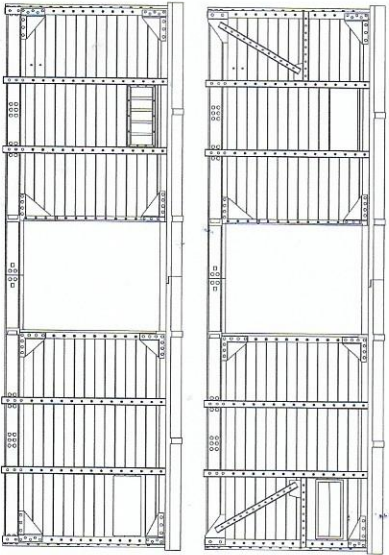
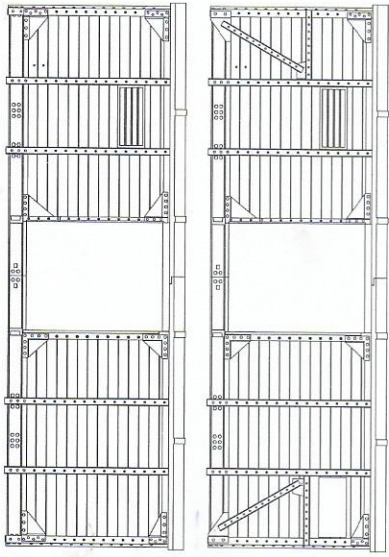
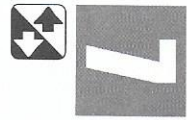
x4



Y1

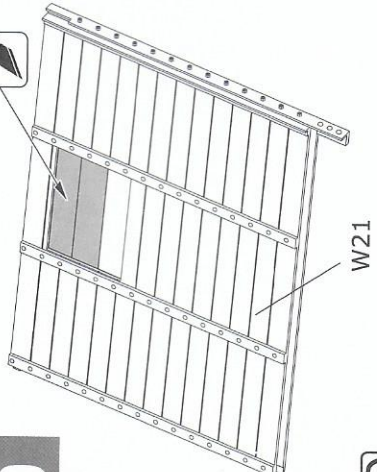
Y2

Y3

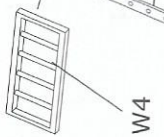


6+N ...

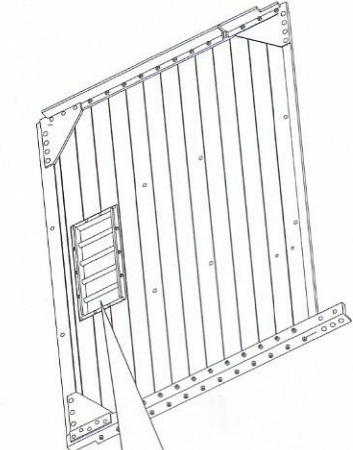
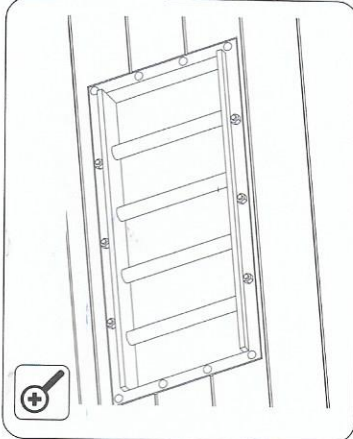
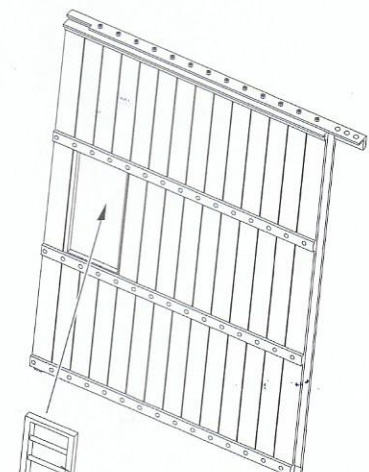
8



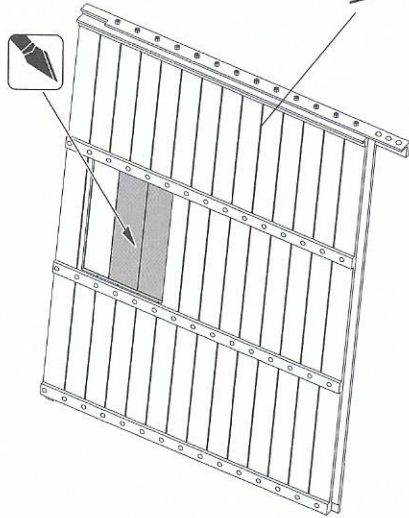
W21



W4



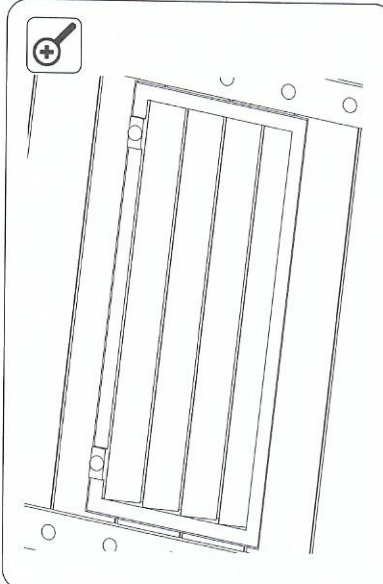
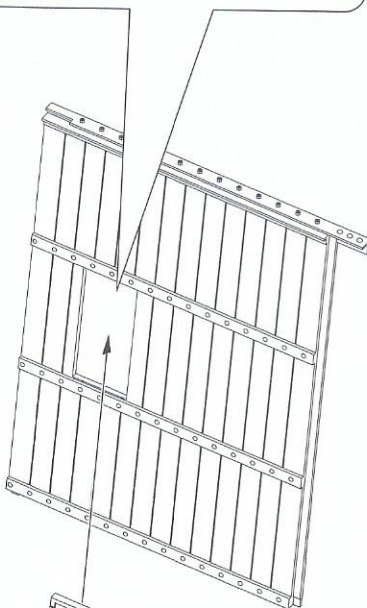
CD



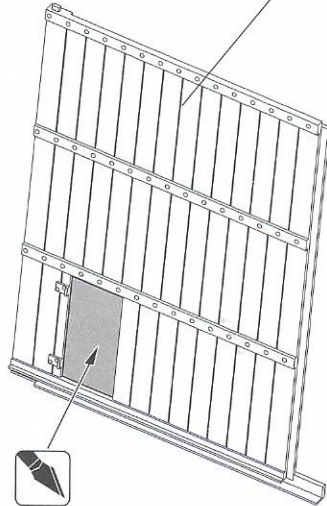
W21



W5



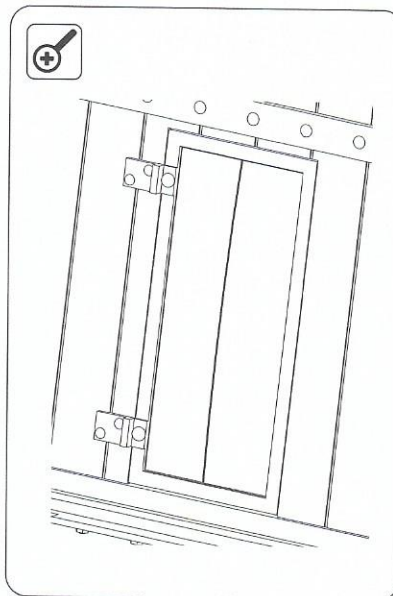
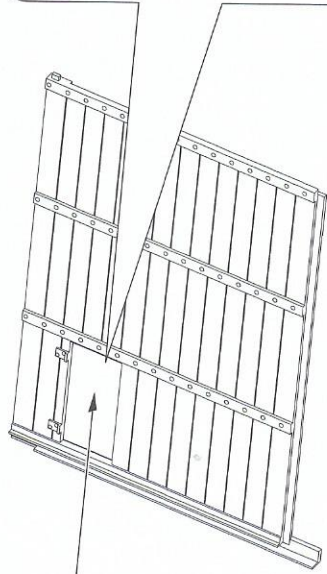
EF



W19



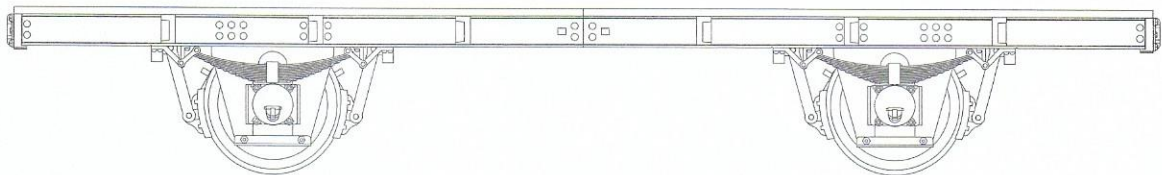
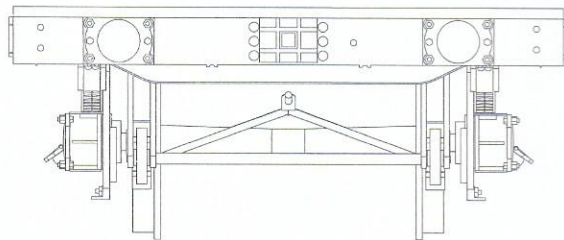
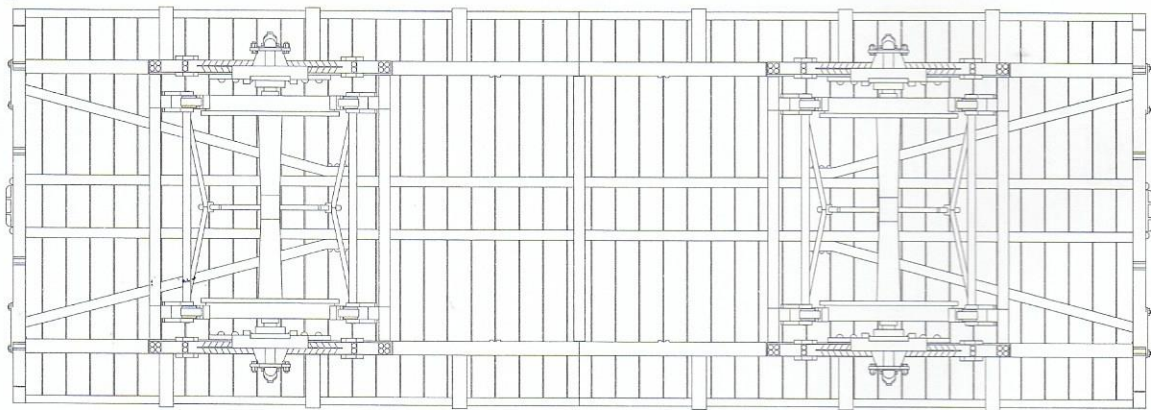
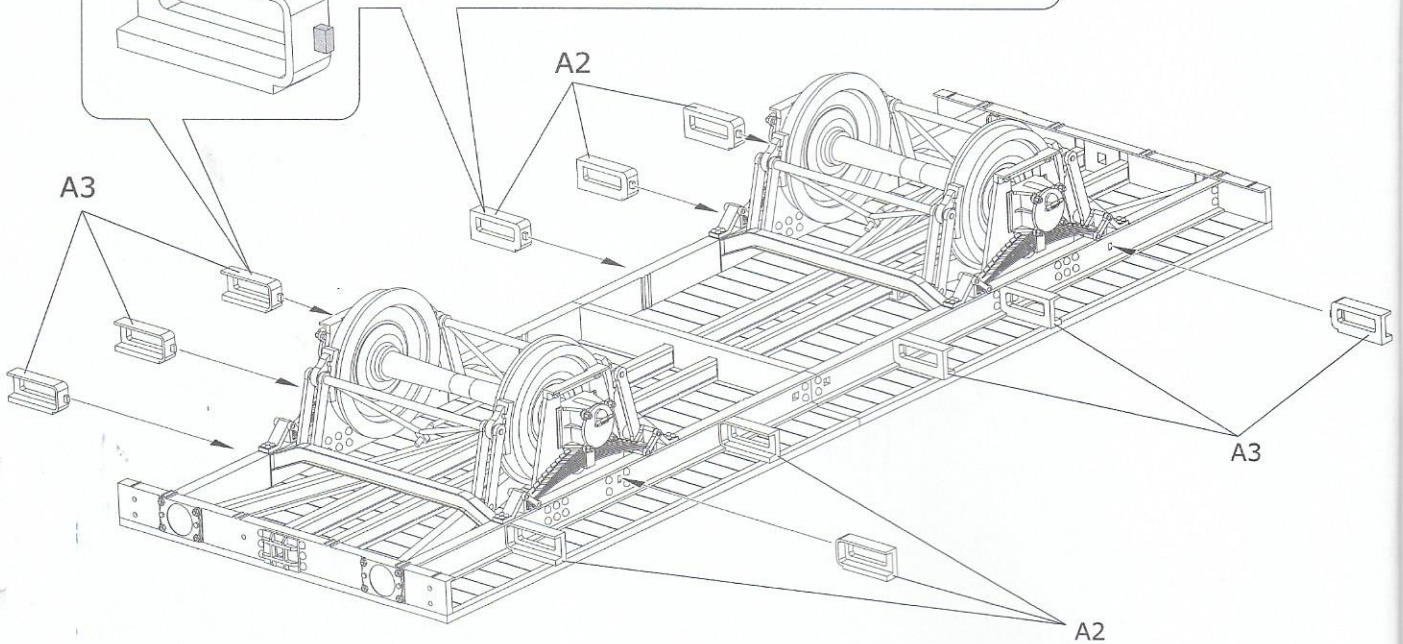
W3



CDEF

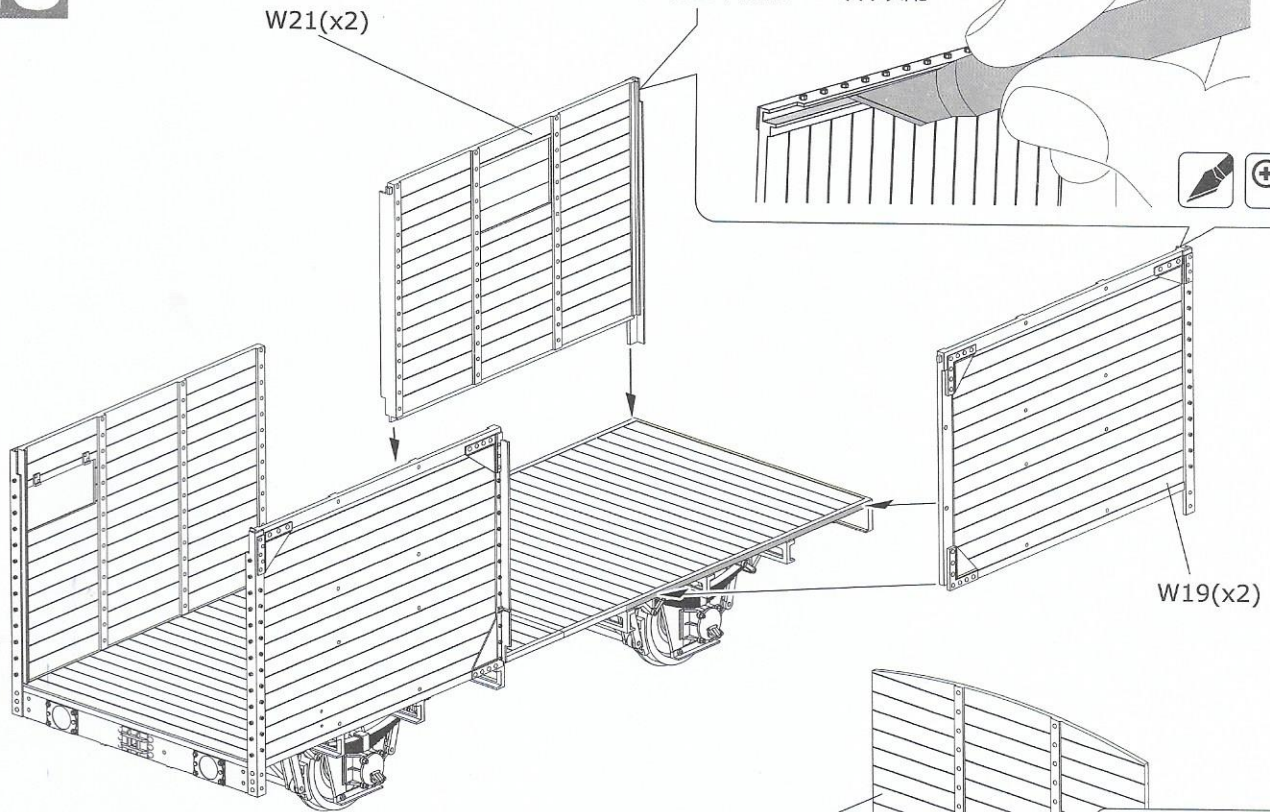
9

Observe the assembly characteristics
before cutting the part
剪切零件前请注意装配口特征

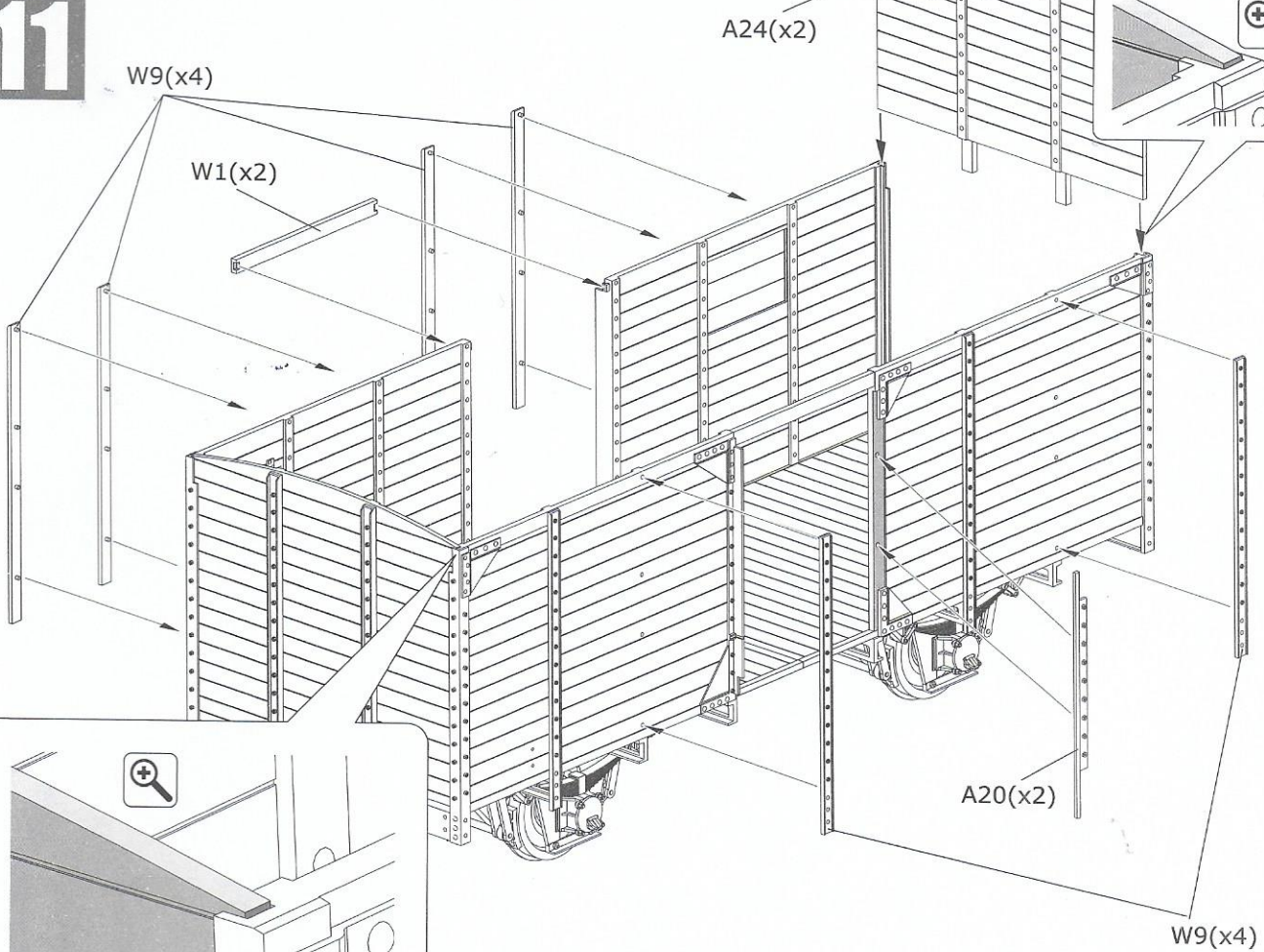


10 **A** **B**

Please shave the inner wall of the slot to make it easier to assemble the part of A24
请适当刮薄槽口内壁，方便A24零件装配

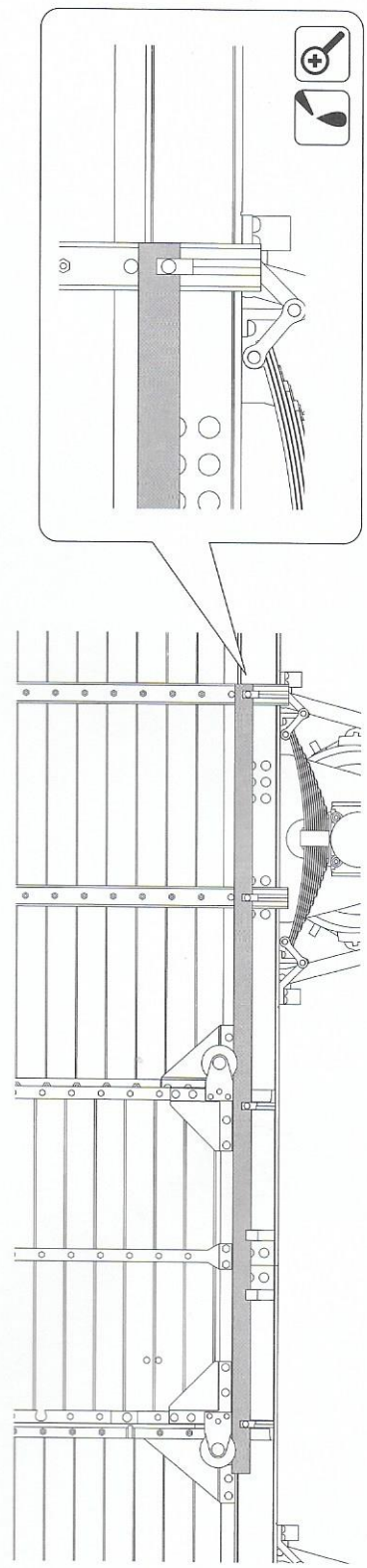
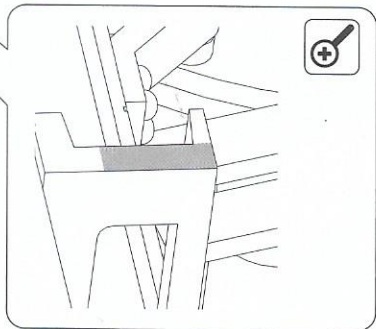
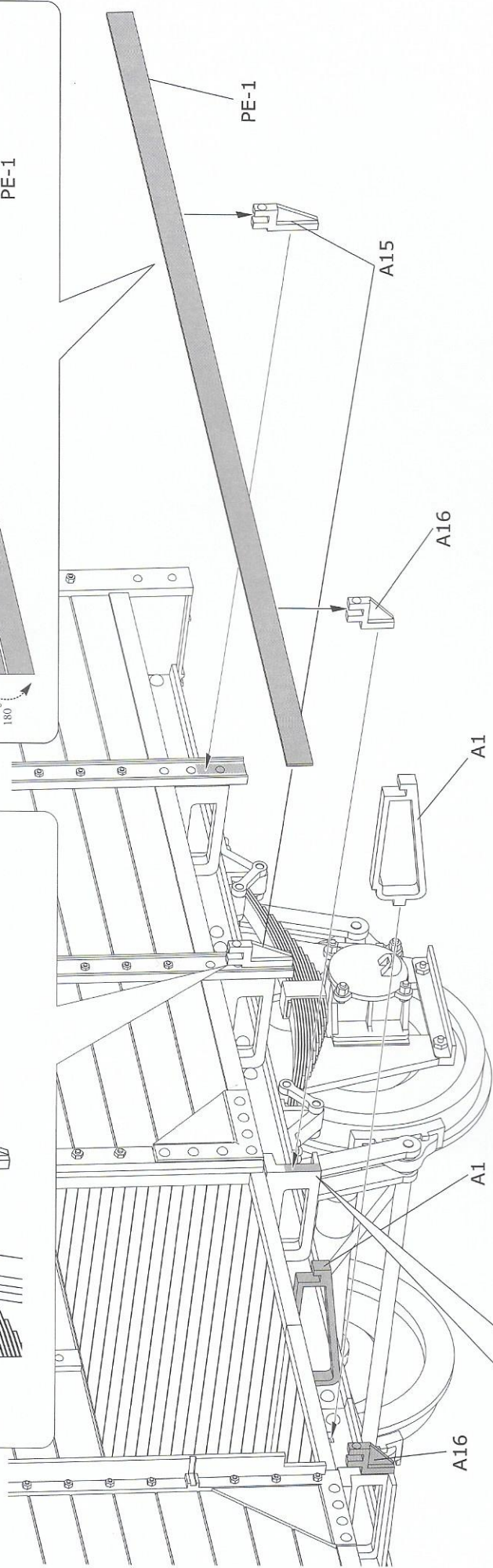
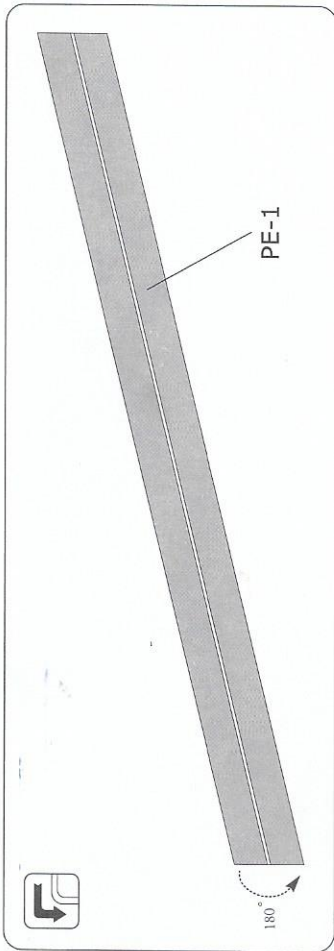
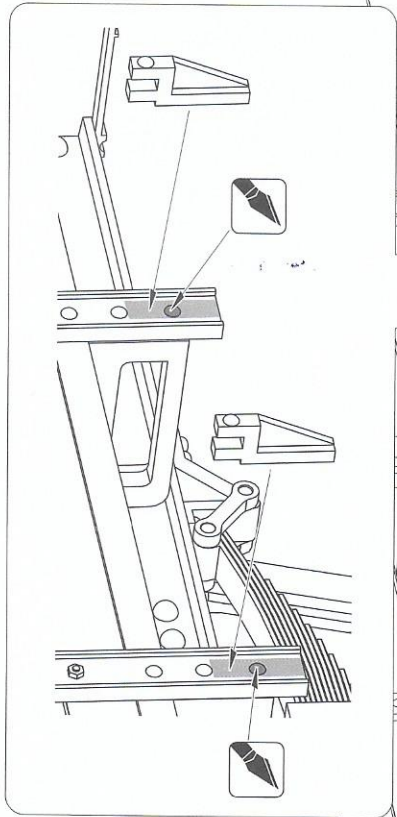


11



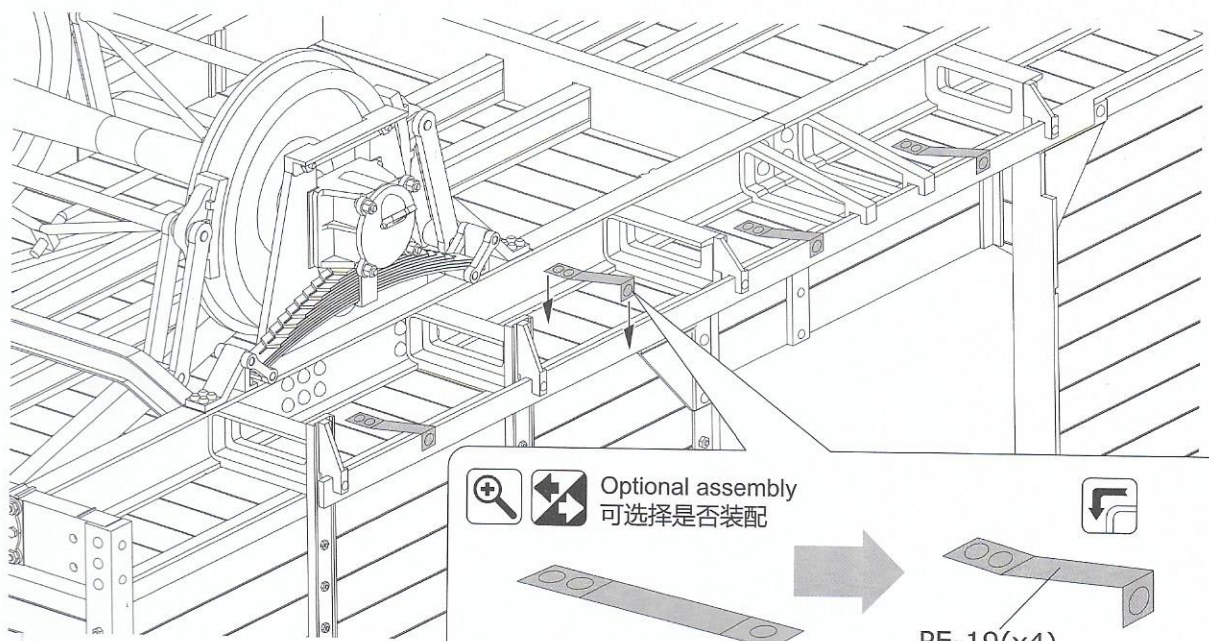
12

x2



13

x2

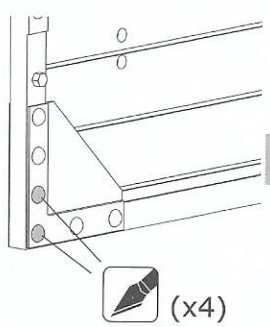
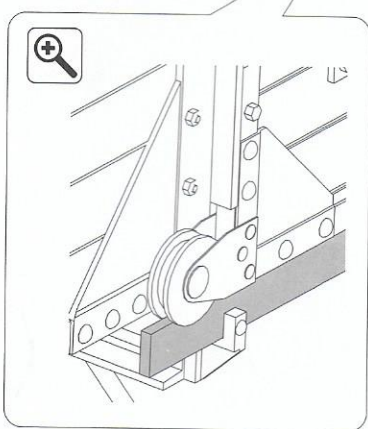
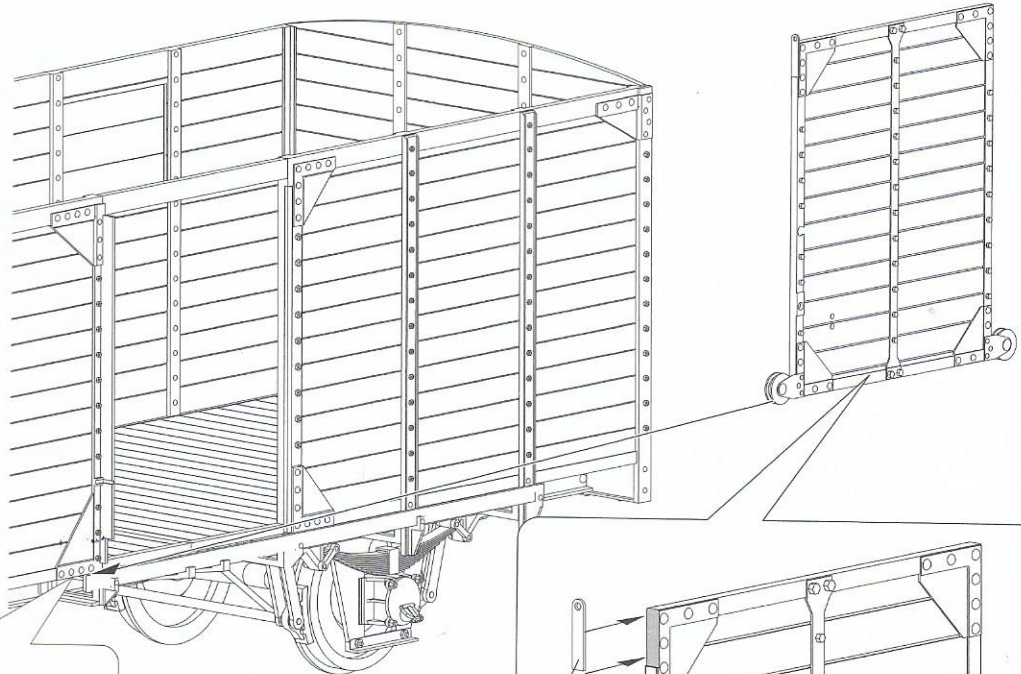


Optional assembly
可选择是否装配

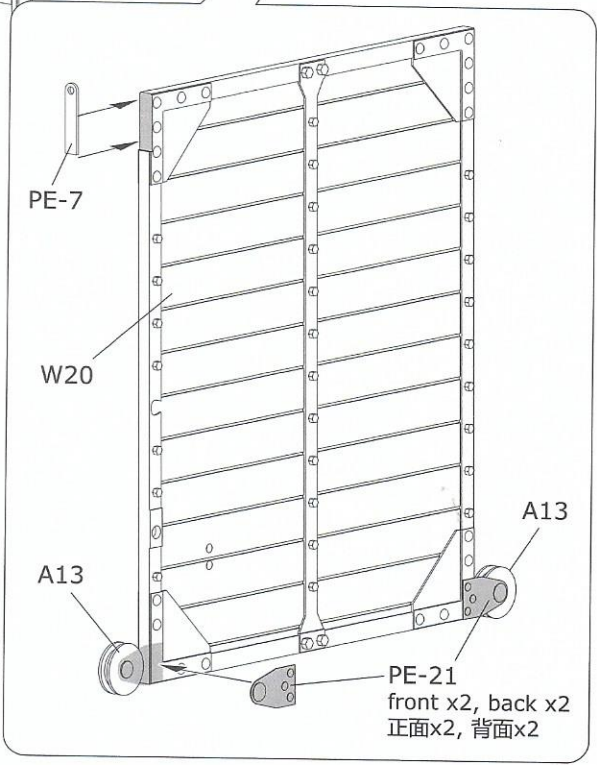
PE-19(x4)

14

x2

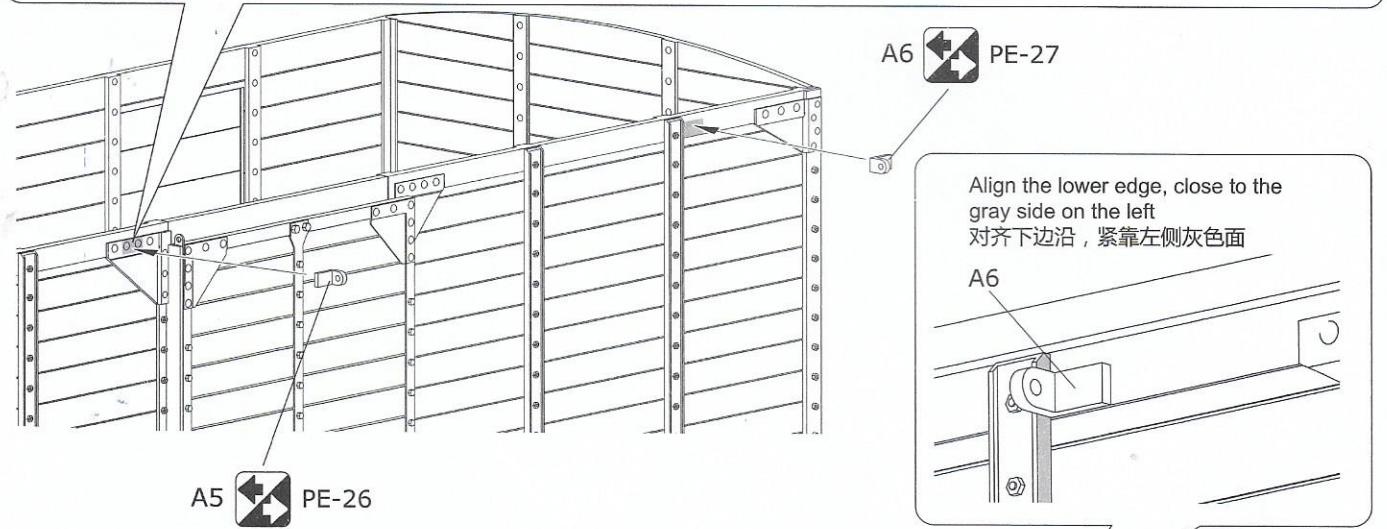
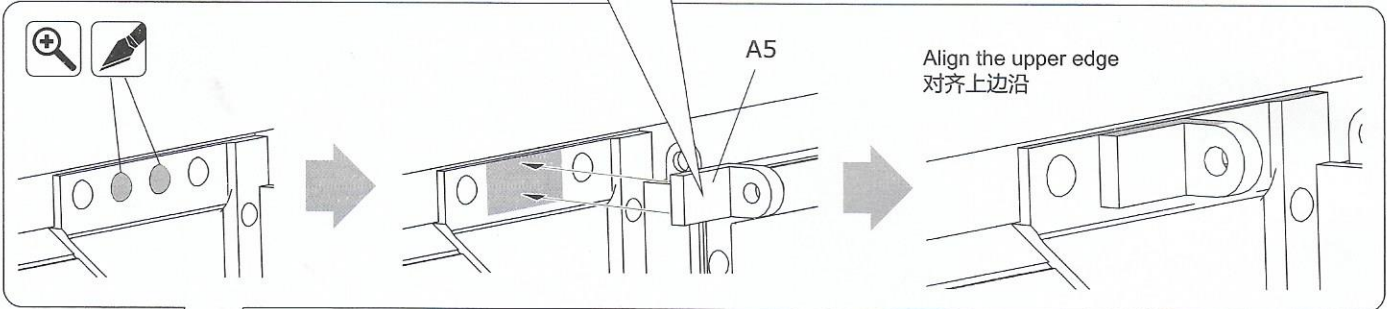
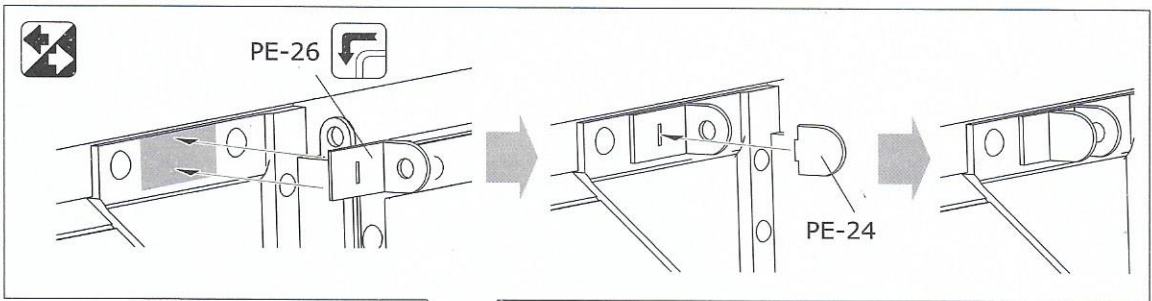


Symmetrical position on both sides of the door parts
车门零件正反面两侧的对称位置



15

x2



A5 PE-26

A6 PE-27

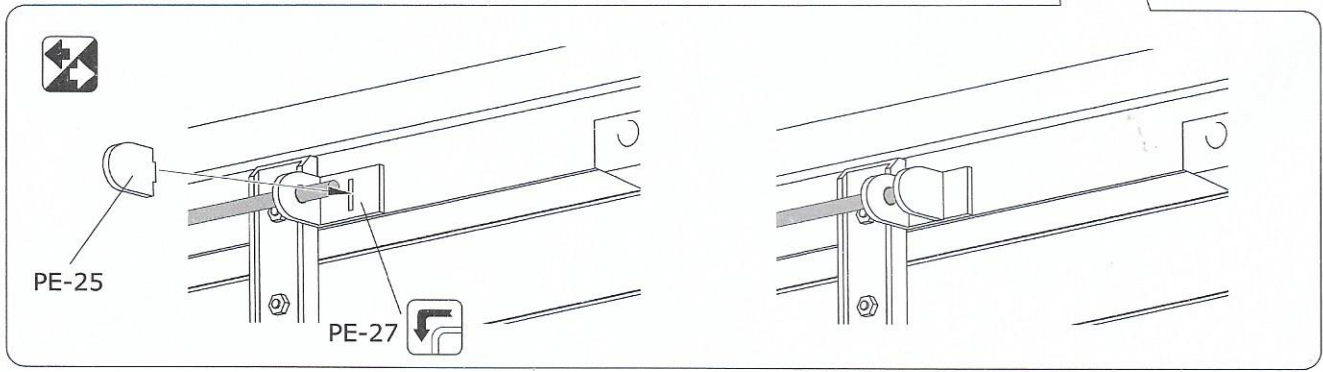
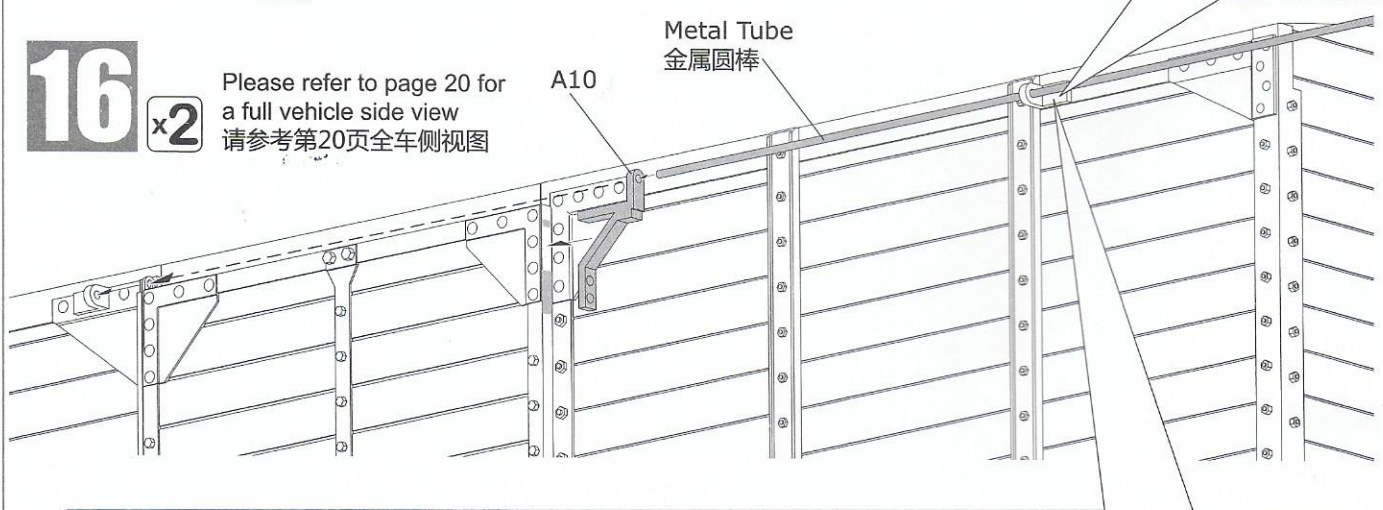
16

x2

Please refer to page 20 for a full vehicle side view
请参考第20页全车侧视图

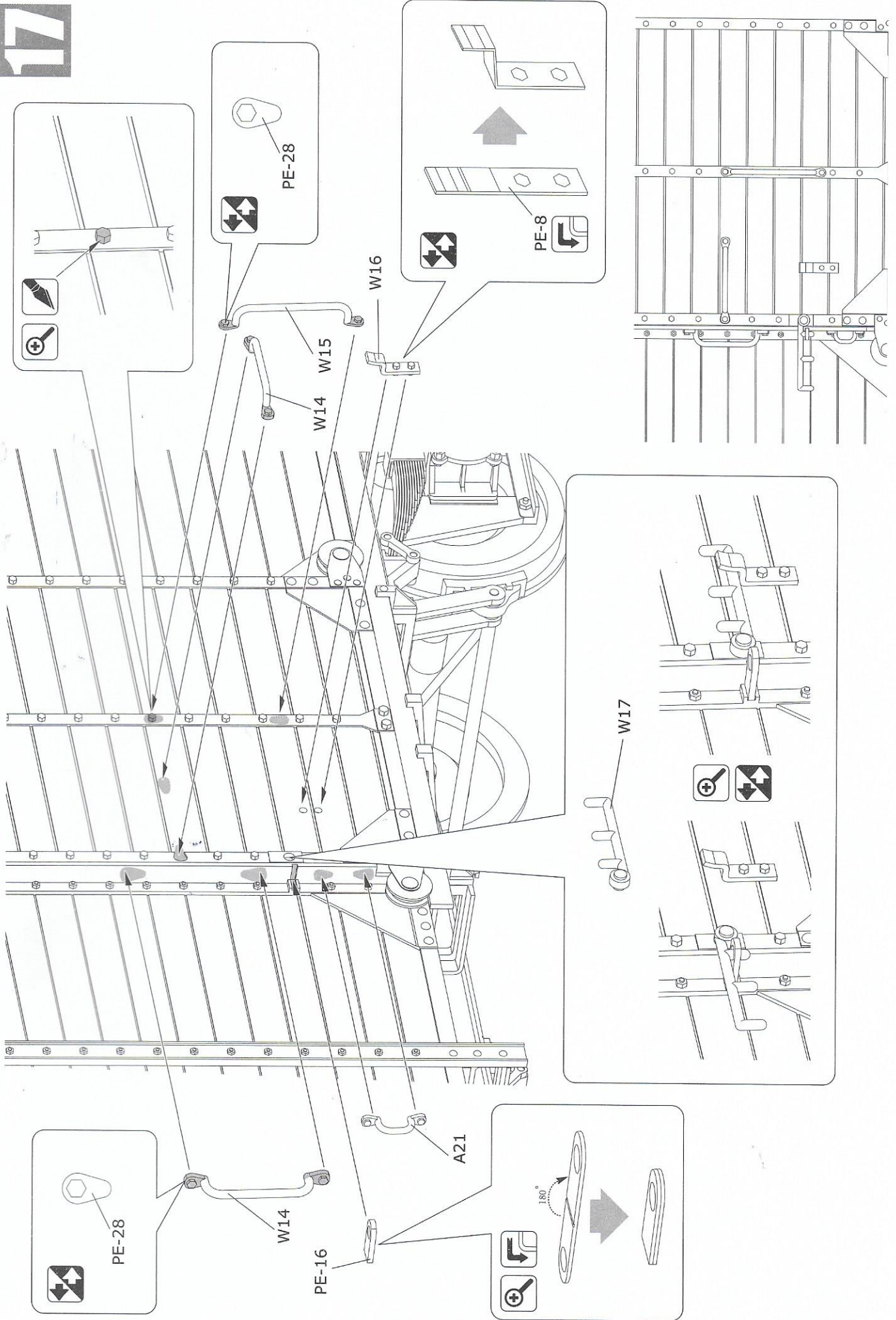
Metal Tube
金属圆棒

A10



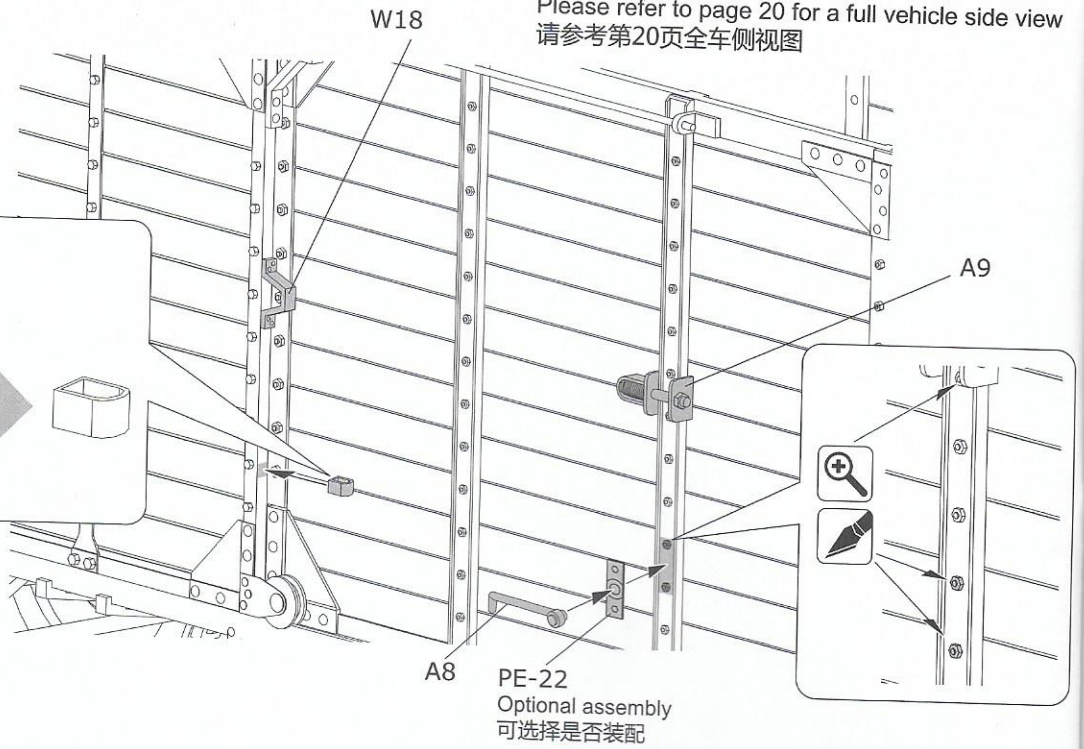
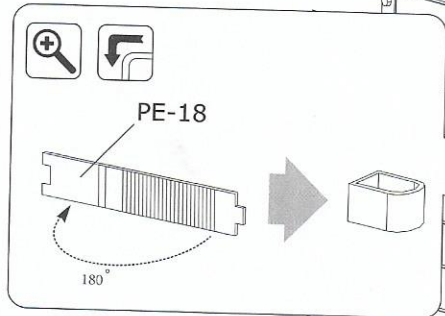
PE-25

PE-27

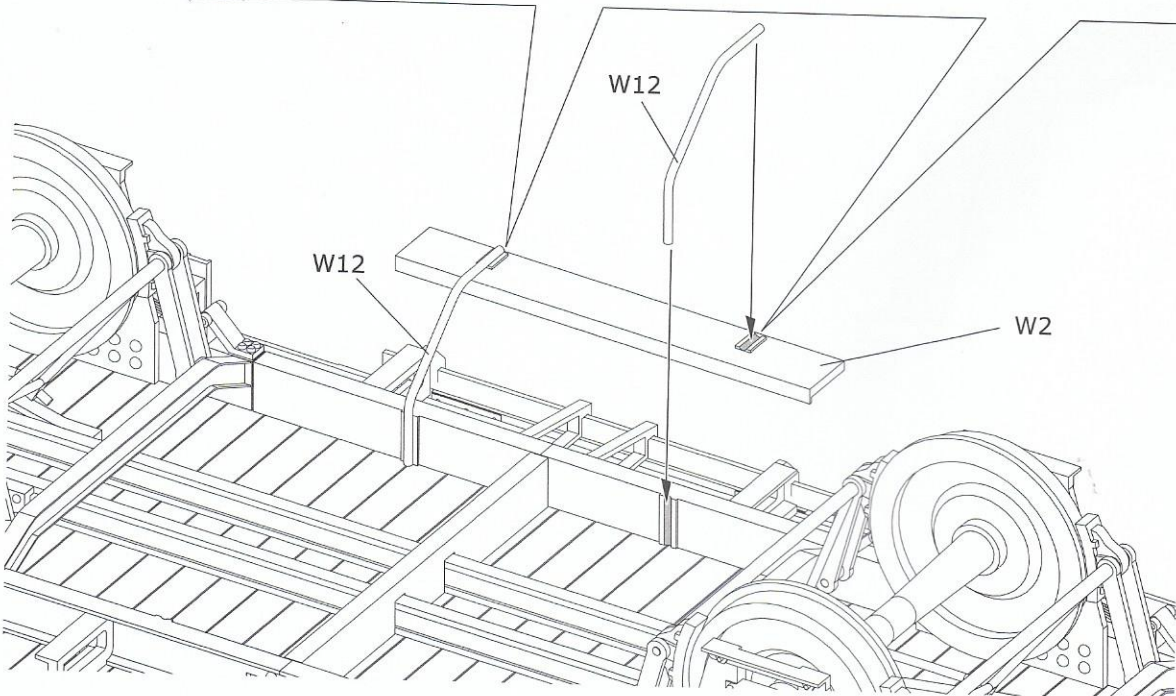
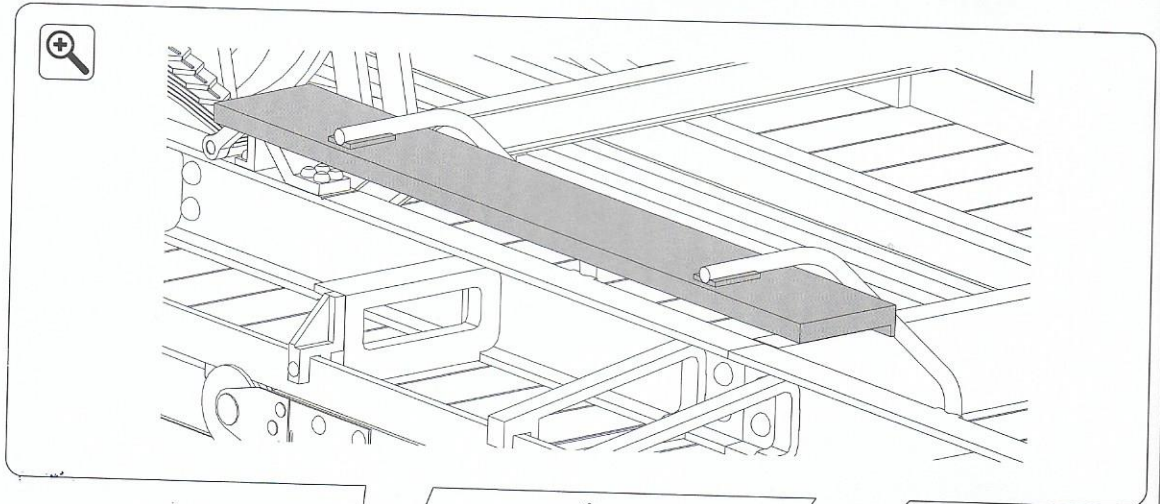


18 x2

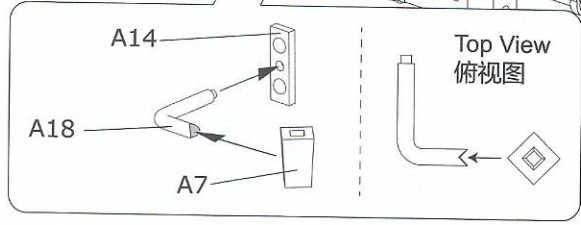
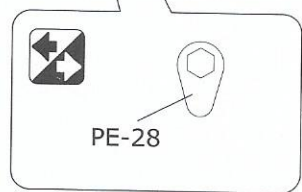
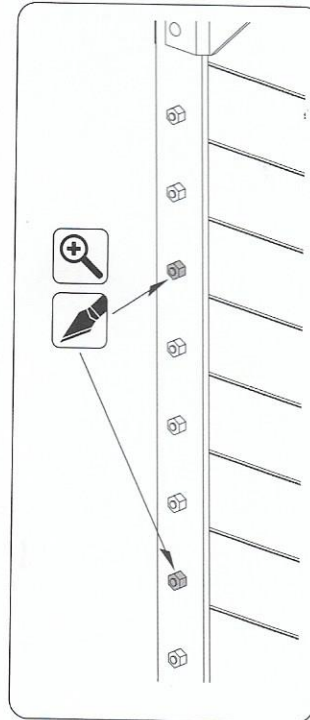
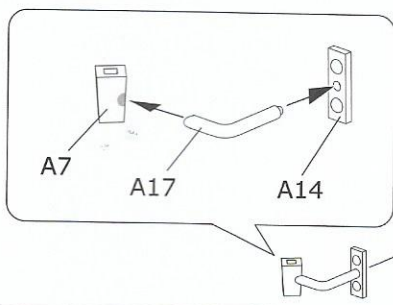
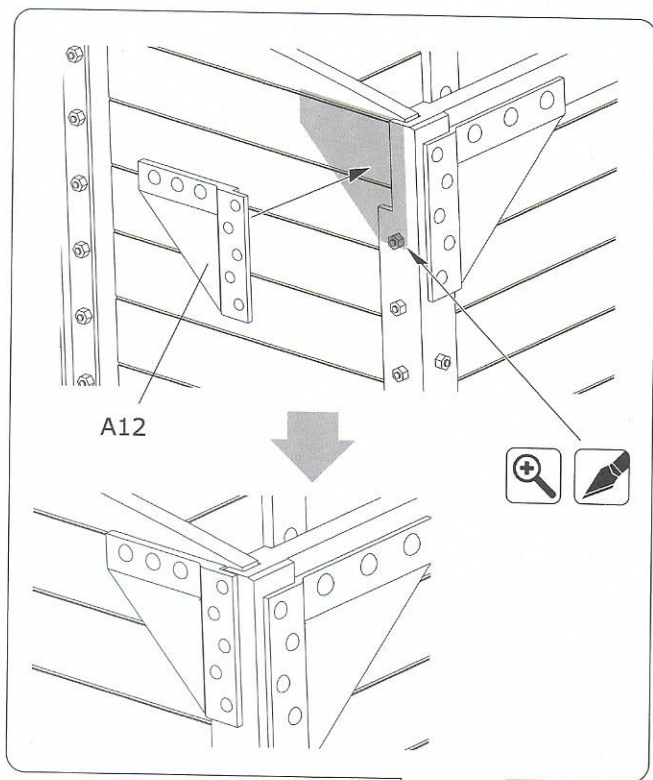
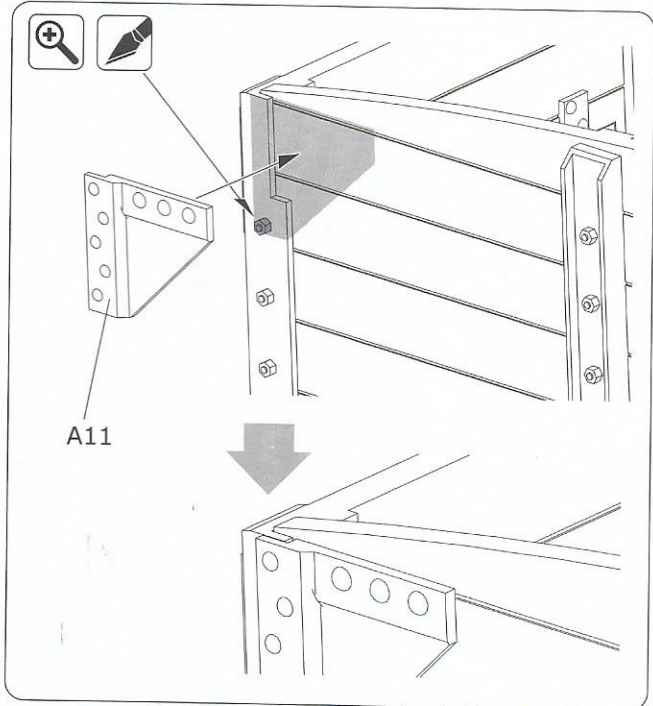
Please refer to page 20 for a full vehicle side view
请参考第20页全车侧视图



19 x2

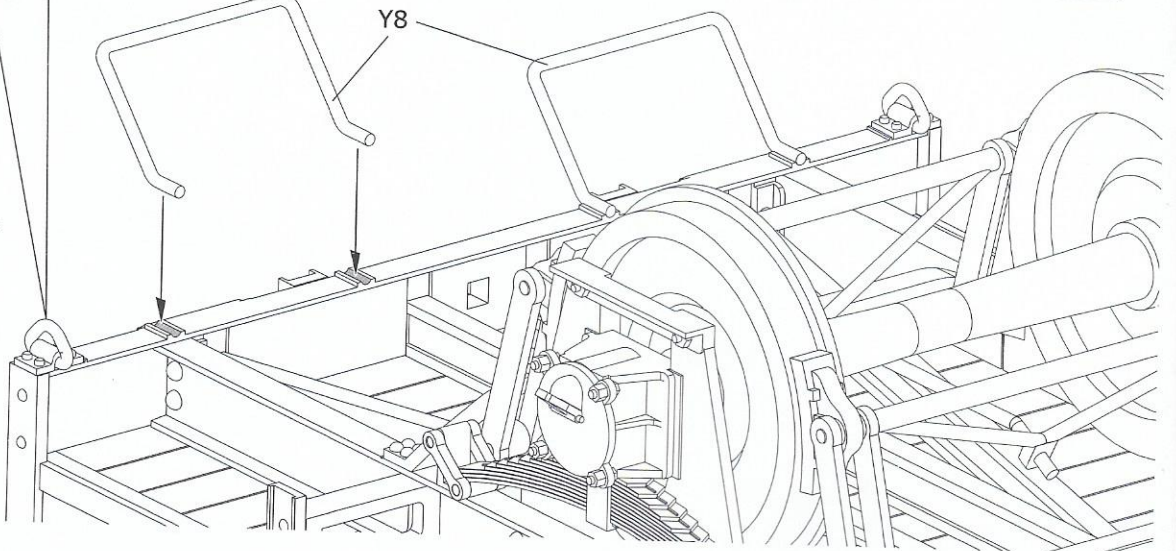
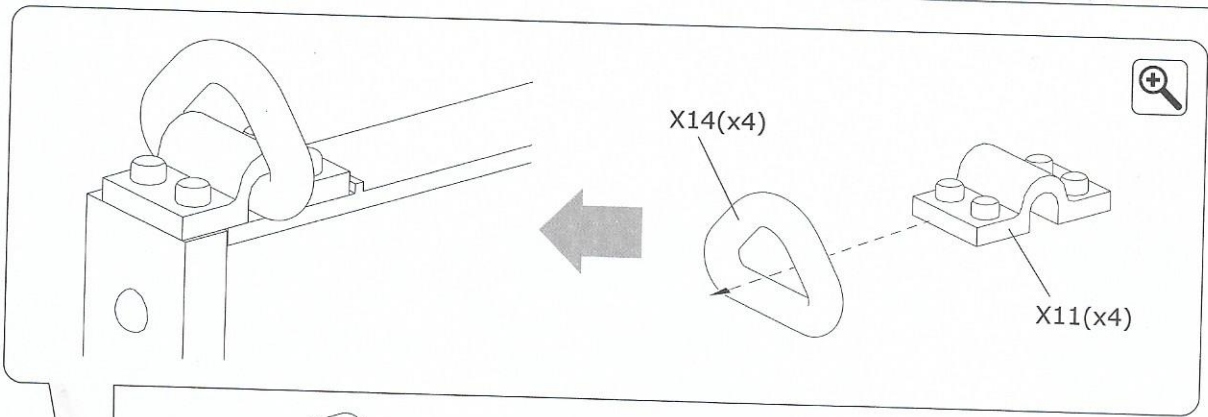


20 x2



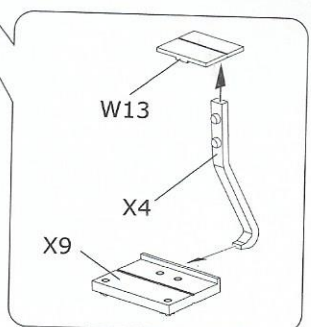
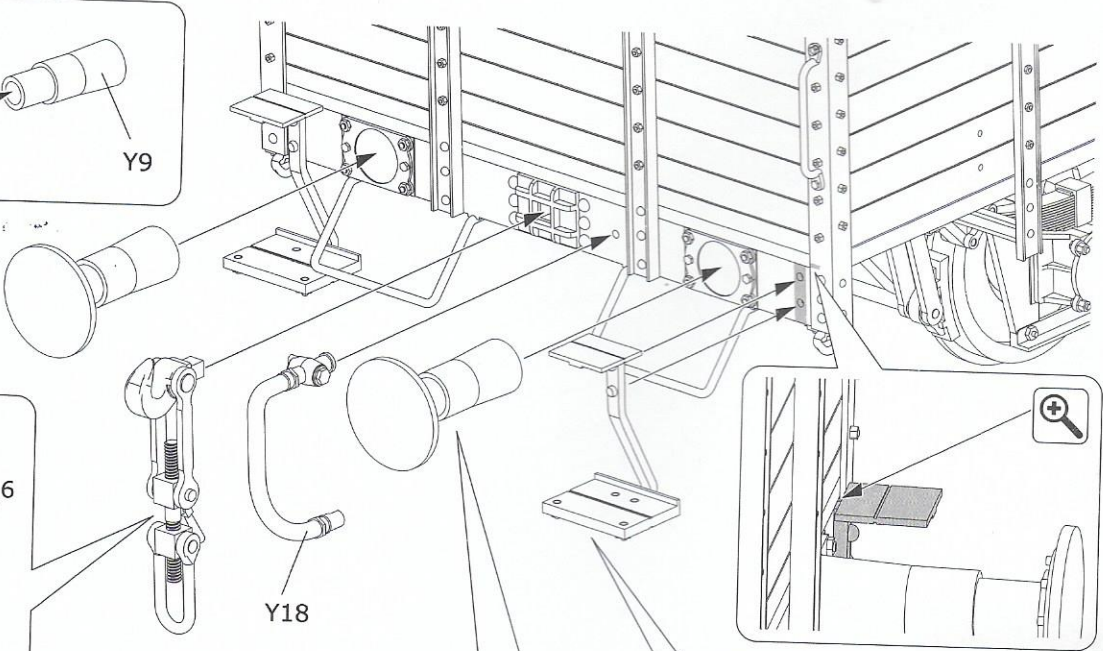
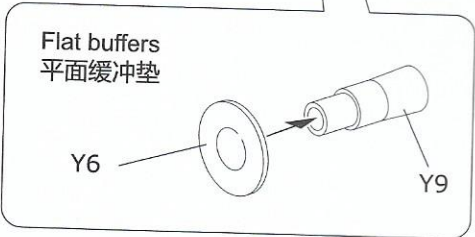
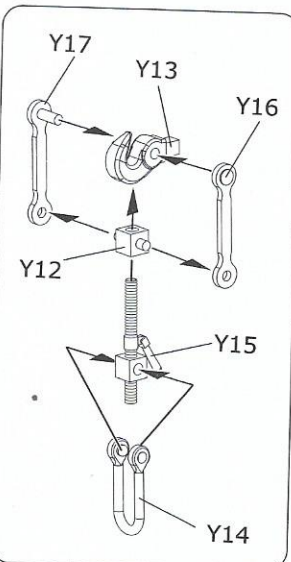
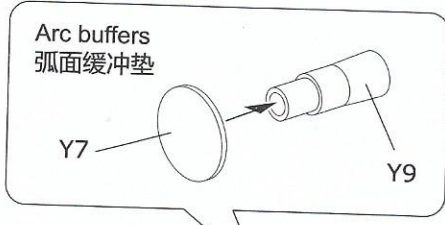
21

x2

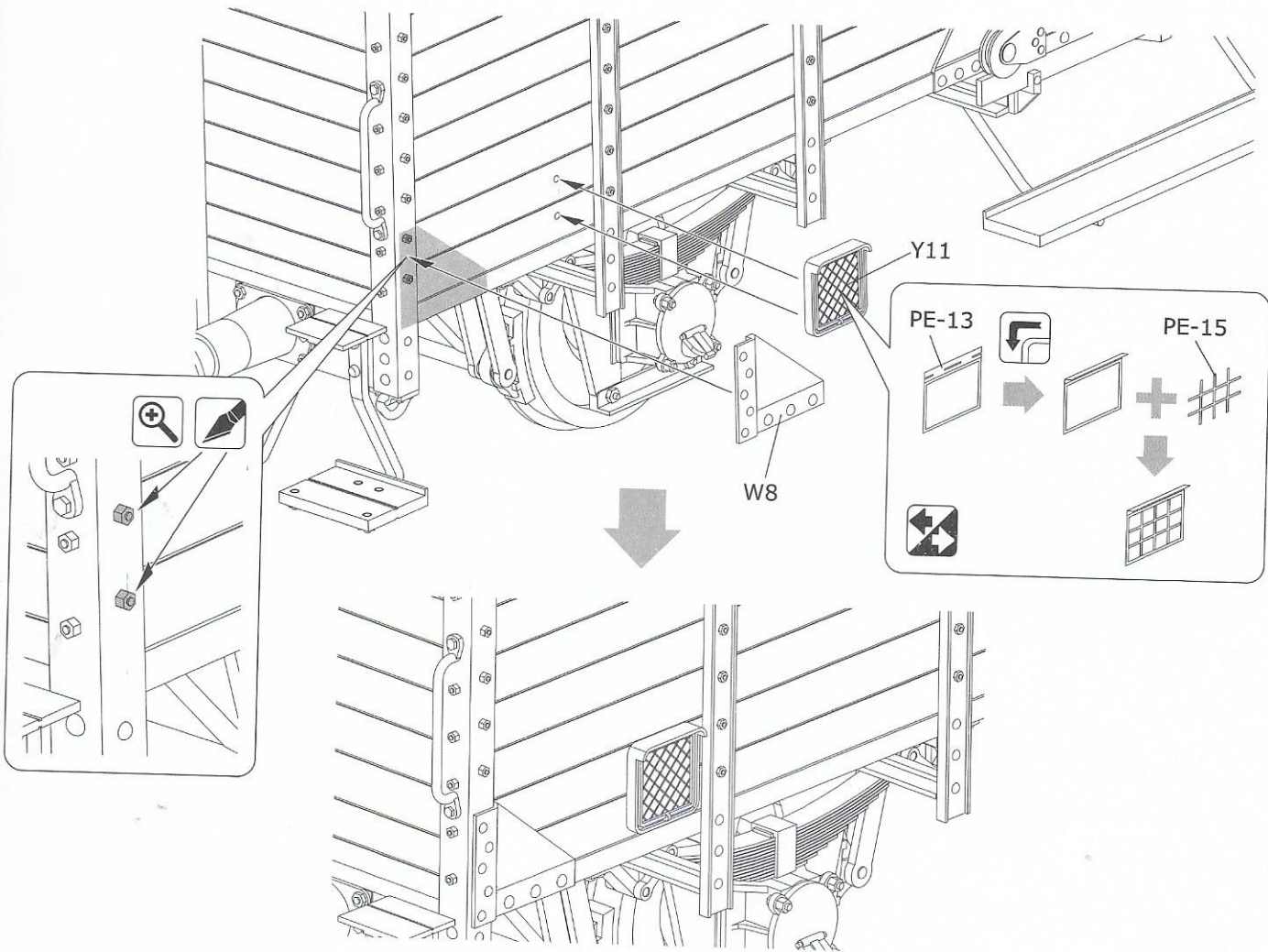


22

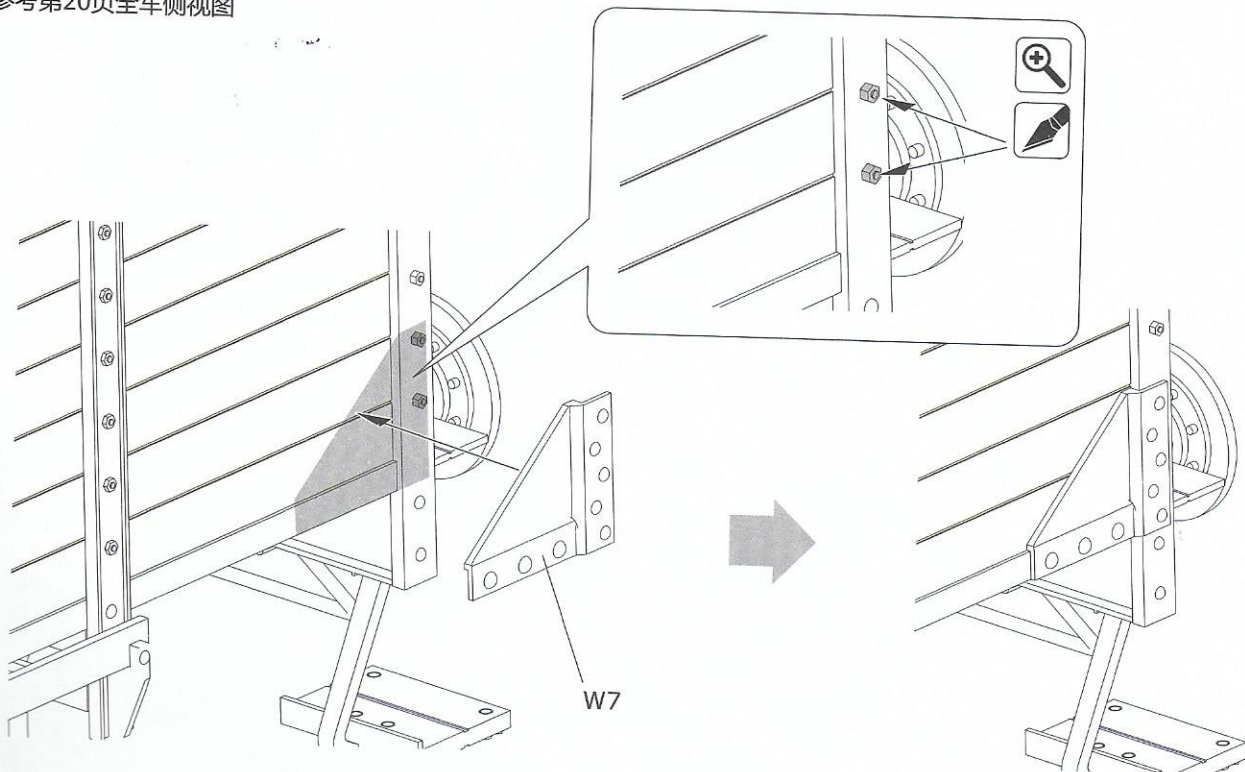
x2



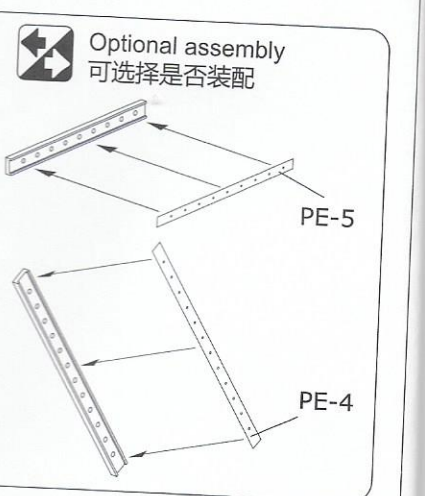
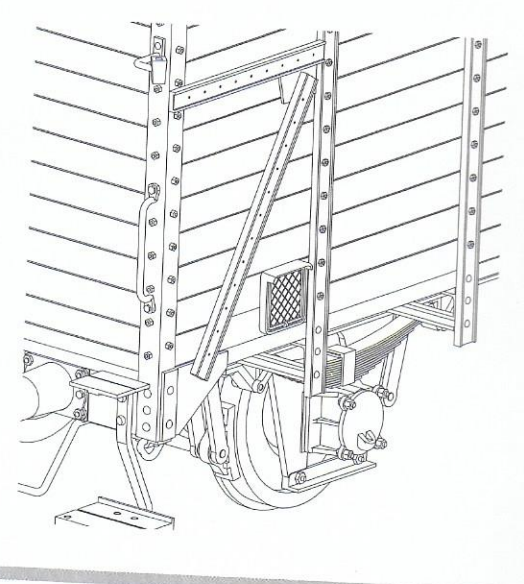
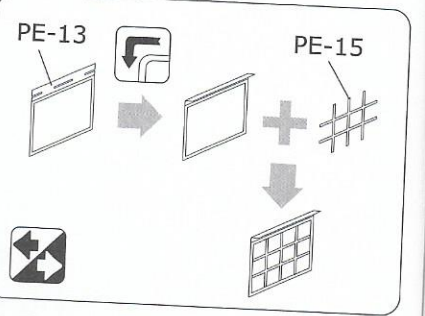
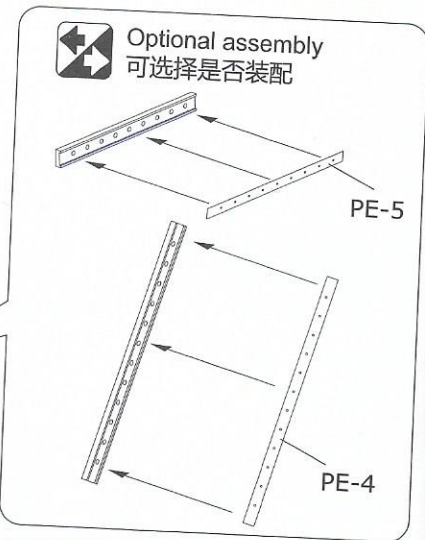
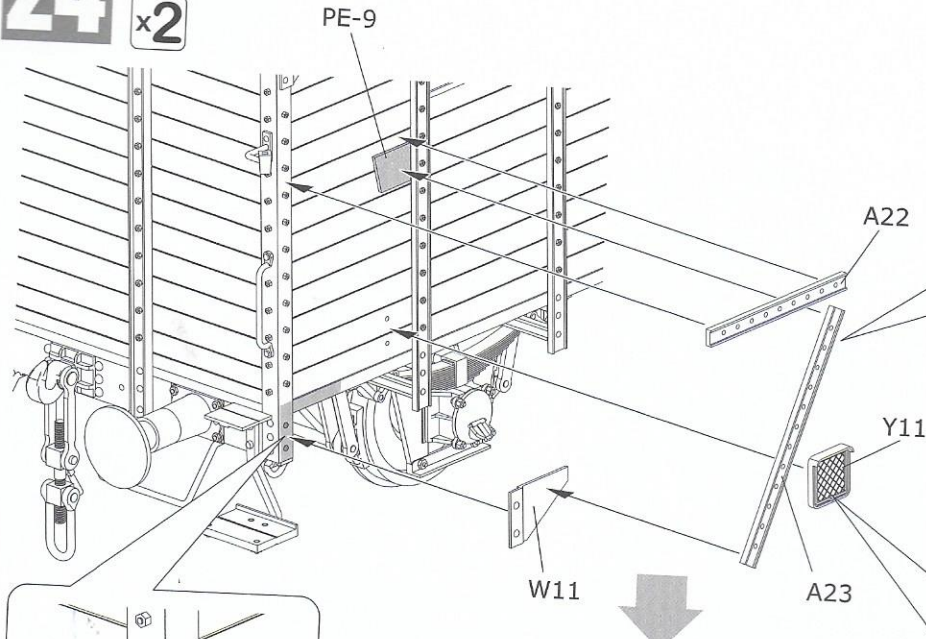
23 A C F
x2



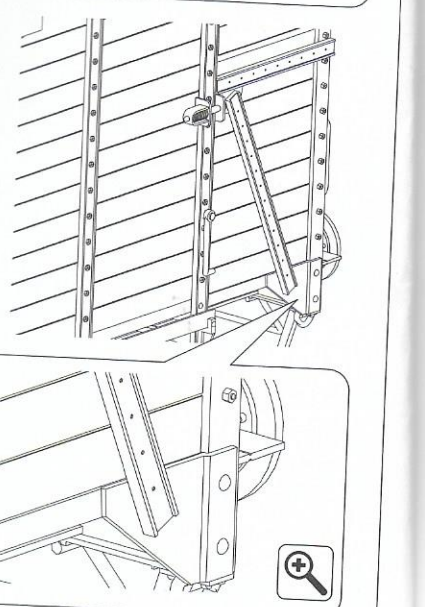
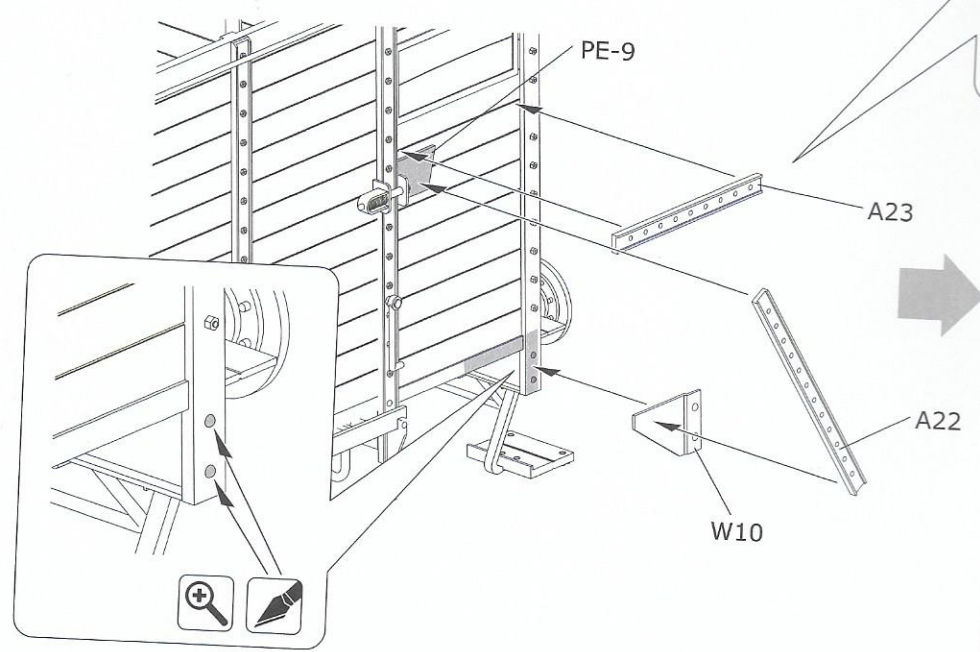
Please refer to page 20 for a full
vehicle side view
请参考第20页全车侧视图



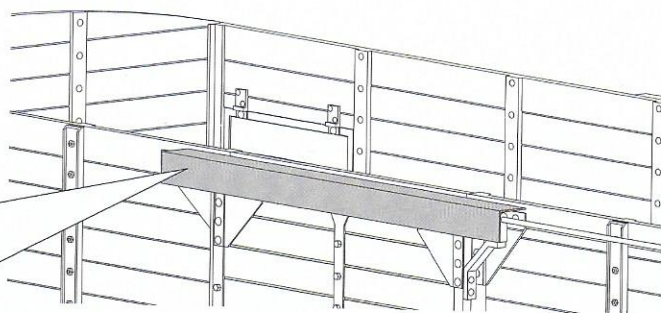
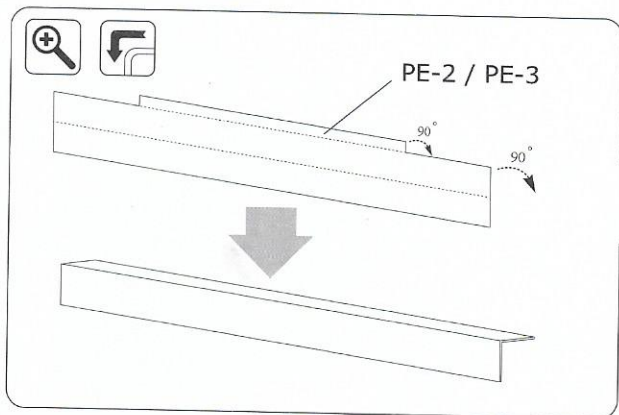
24 B D E
x2



Please refer to page 20 for a full vehicle side view
请参考第20页全车侧视图

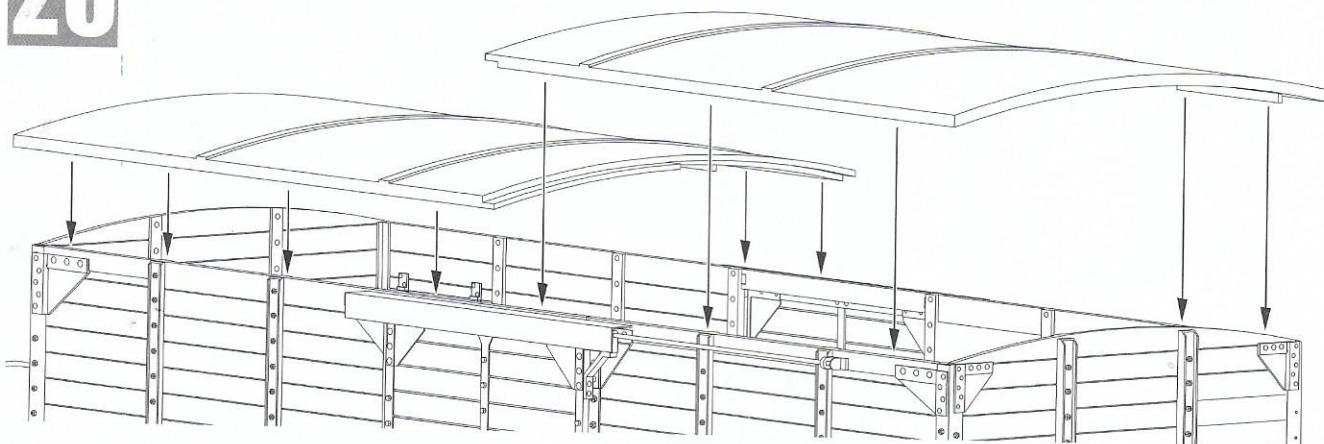


25

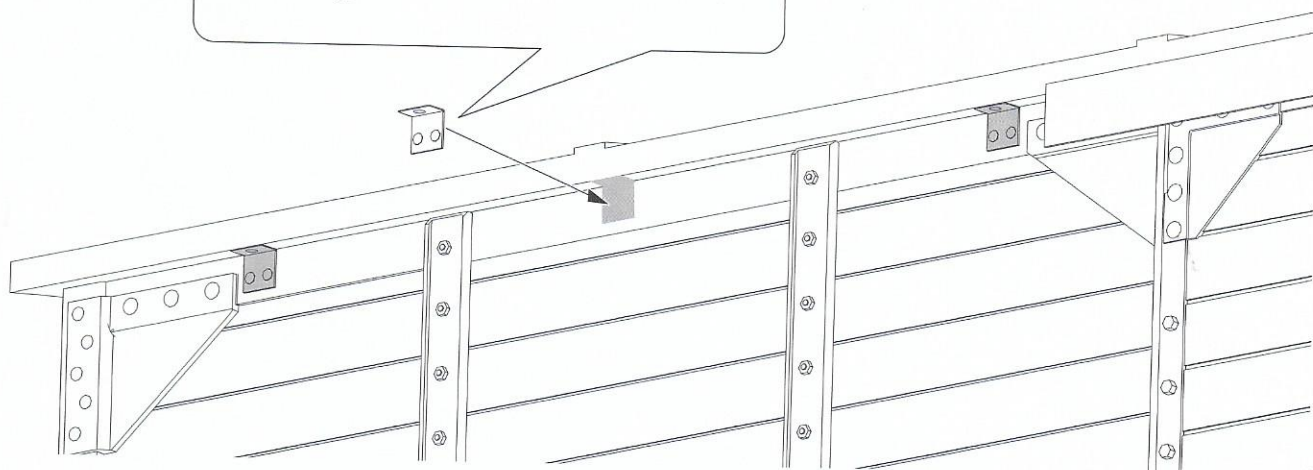
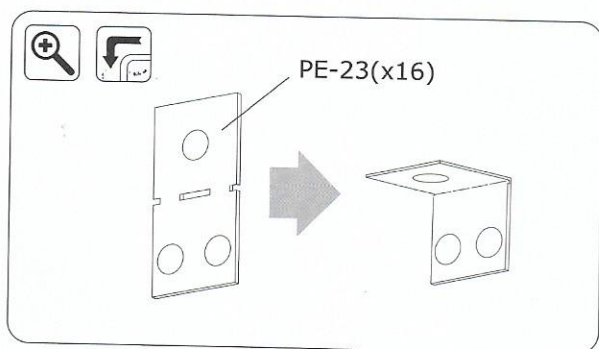
x2

Please refer to page 20 for a full vehicle side view
请参考第20页全车侧视图

26



27



28 x2

PE-12 EF
PE-6(x2) EF

PE-23(x3)

PE-23(x3)

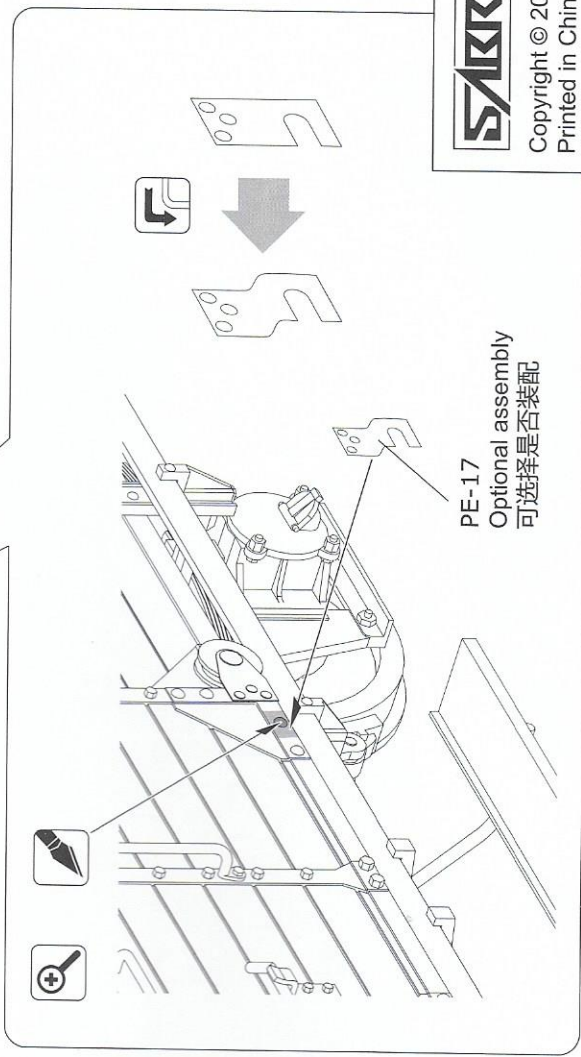
PE-12 CD EF

PE-11(x10) Optional assembly
可选择是否装配

PE-23(x2)

PE-11 (x2)

PE-11 (x2)



Copyright © 2014-2018
Printed in China
35A01 - 01

