

MCDONNELL DOUGLAS F-15D EAGLE

1/72 Scale

Filled with complex electronic gear, the modern jet fighter has become a technical wonder. The role of the fighting plane today has become so far removed from its original concept that it bears almost no resemblance to the typical combat situations or World War II. We learned in Vietnam that our highly sophisticated Phantoms were often at a disadvantage when engaging the more nimble Soviet-built fighters, for example and the need for cannon armament was clearly demonstrated. In aerial conflicts we learned that supersonic speed is not nearly as advantageous as fast response and maneuverability.

To address these problems, the F-15 Eagle was designed specifically for the role of "dogfighter". To do this, the basic engineering was directed toward lower wing loading and reduced maintenance time by using less complicated systems. Maintaining the Eagle takes about half the time it takes for a Phantom II, yet the F-15 retains essential automatic controls, such as engine inlet positioning. The Eagle's twin Pratt & Whitney F100 afterburning turbofans produce 10,000 more pounds of thrust than the weight of the plane. This allows the F-15 to turn tightly without sacrificing precious airspeed. The Eagle carries one 20mm rotary cannon as standard equipment, but eight hardpoints can carry an enormous variety of additional weaponry to enhance the dogfighting abilities of the plane. The two-seat F-15D is the second generation version of the dual seat Eagle and replaced the F-15B in 1979. Externally, it shows little change, but inside it contains newer and more versatile electronics making today's Eagle far more deadly. The two-seat Eagle serves the role of trainer in addition to offering full combat capability.

ENGLISH	FRENCH	GERMAN	SPANISH	ITALIAN
WHITE	BLANCO	WEISS	BLANC	BIANCO
YELLOW	JAUNE	GELB	AMARILLO	GIALLO
RED	ROUGE	ROT	ROJO	ROSSO
BLUE	BLEU	BLAU	AZUL	BLU
GRAY	GRIS	GRAU	GRIS	GRIGIO
GUNMETAL	METALLIC	METALLIC	METALICO	METALLICO
GREEN	VERT	GRUN	VERDE	VERDE
SILVER	ARGENT	SILBERN	PLATA	ARGENTO
BLACK	NOIR	SCHWARZ	NEGRO	NERO
ORANGE	ORANGE	ORANGE	NARANJADO	ARANCIO
AMBER	AMBRE	BERNSTEINFARBEN	AMBAR	AMBRA
ALUMINUM	ALUMINIUM	ALUMINUMFARBEN	ALUMINIO	ALLUMINIO
GLOSS	LUSTRE	GLANZENDES	BRILLANTE	BRILLANTE
FLAT	TERNE	GLANZLOSES	APAGADO	OPACO

ACADEMY
HOBBY MODEL KITS

2109



Cement Parts
Coller
Kleben
Pegar
Incollare
Colar
Kleven



DO NOT cement
Ne pas coller
Nicht kleben
No pegar
Non incollare
Nao colar
Niet kleven



Cut away
Couper
Scheiden
Cortar
Tagliare
Cortar
Snijden



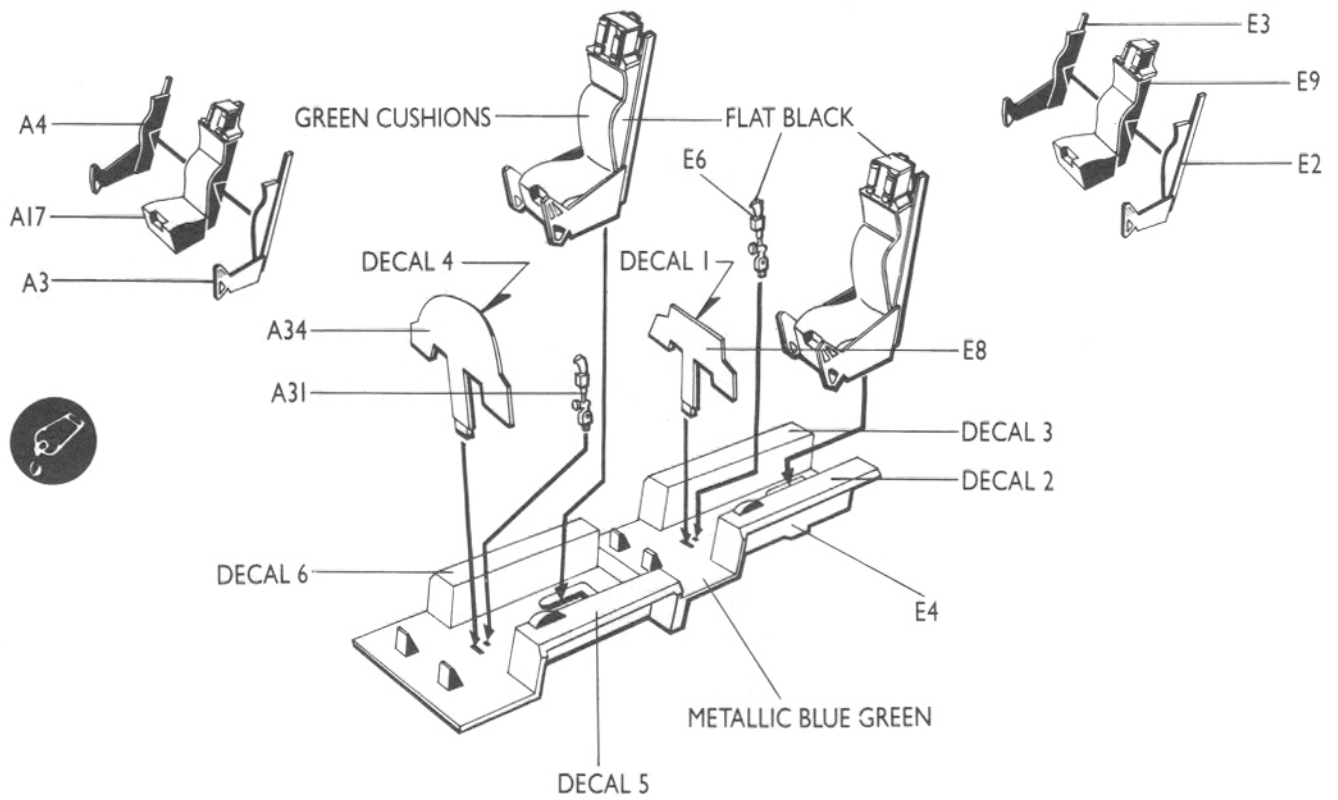
Optional parts
Choix
Auswahlmöglichkeit
Eleccion
Scelta
Opcao
Keuze



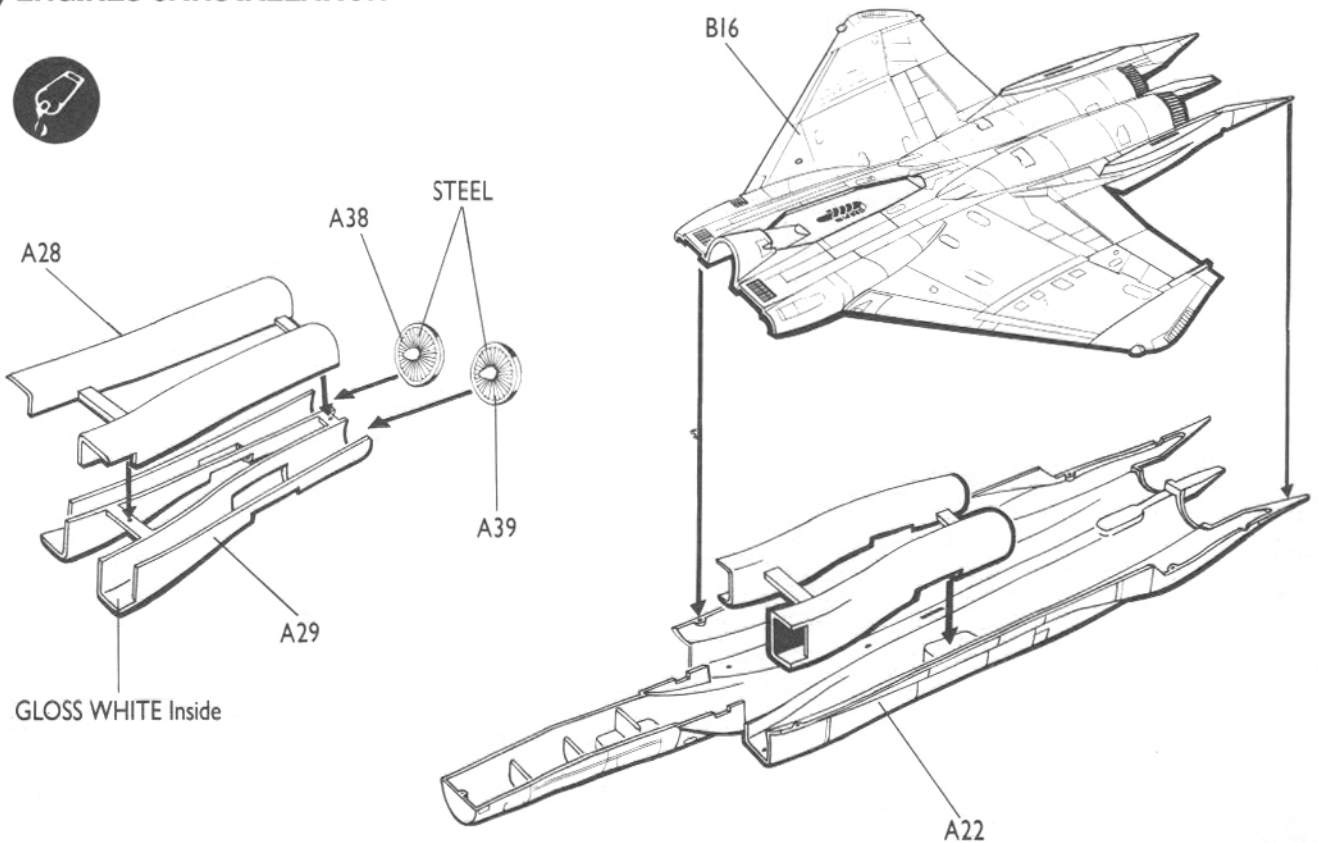
3

Repeat operation
Répéter l'opération
Vorgang wiederholen
Repitir la operacion
Ripetere
Repitir a operação
Herhalen

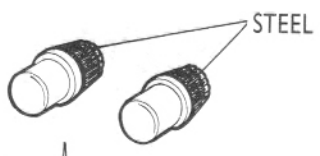
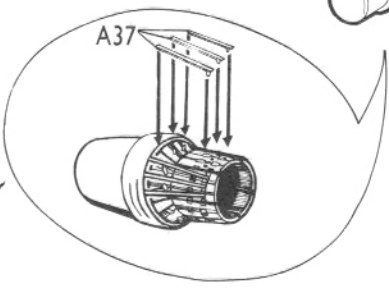
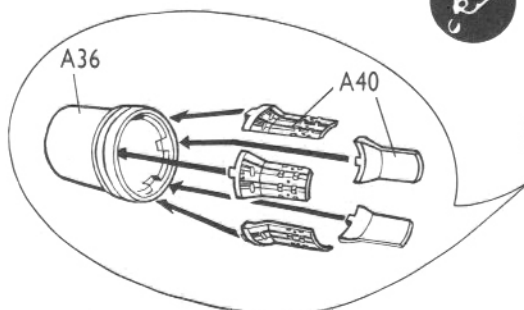
1 EJECTION SEATS & COCKPIT



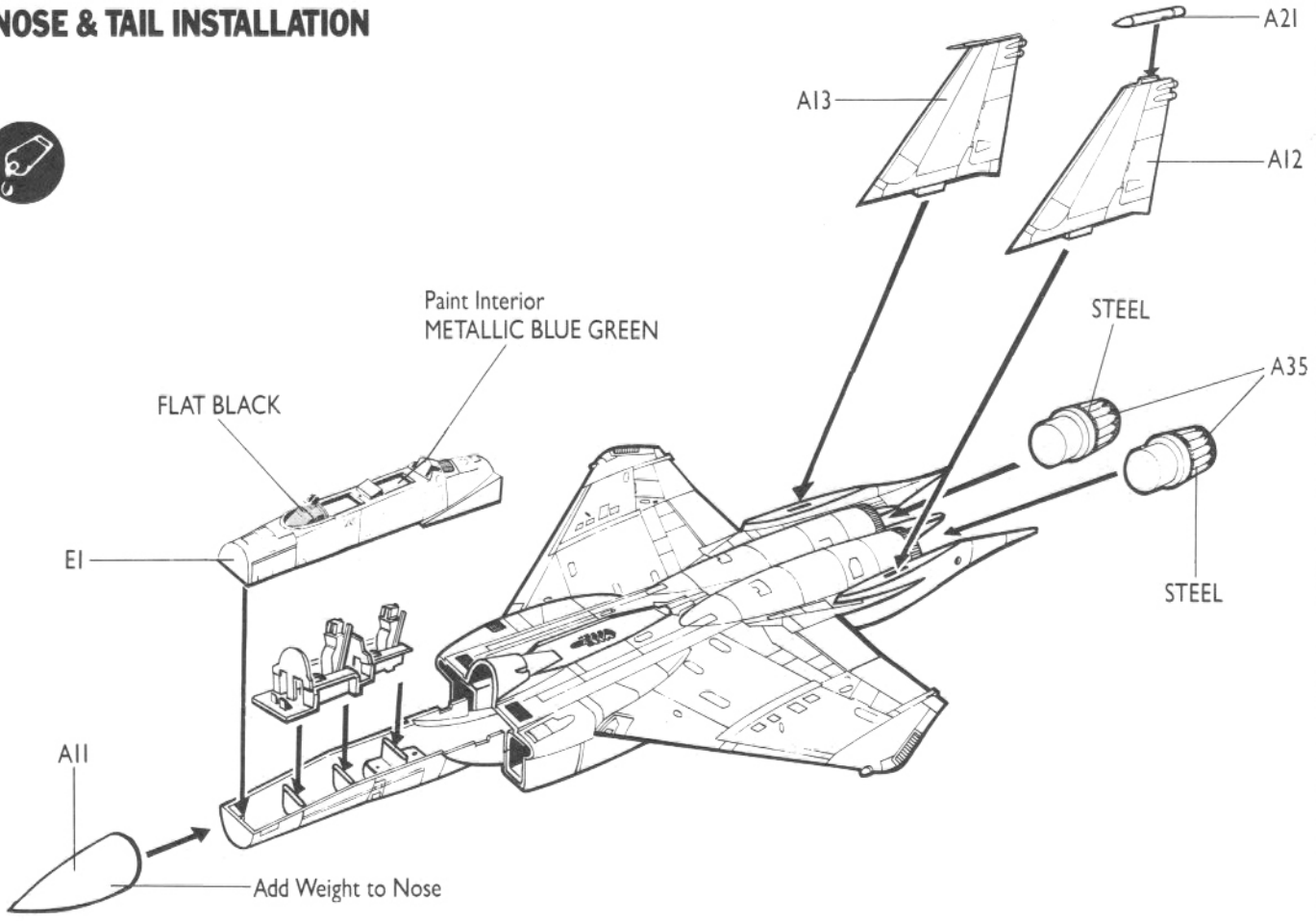
2 ENGINES & INSTALLATION



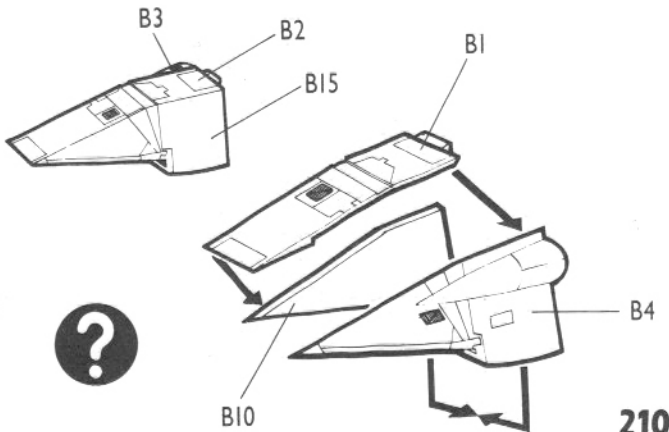
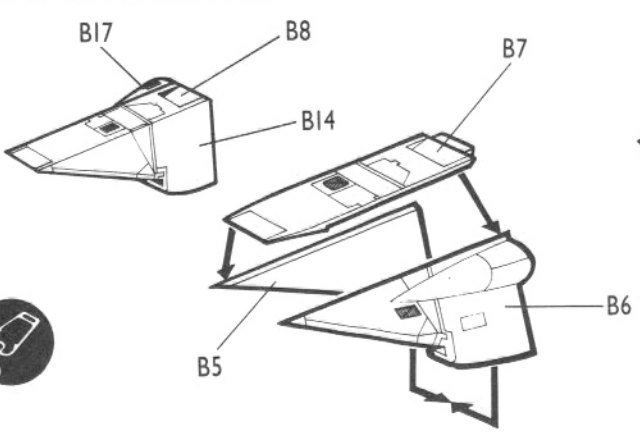
3 AFTERBURNERS



4 NOSE & TAIL INSTALLATION

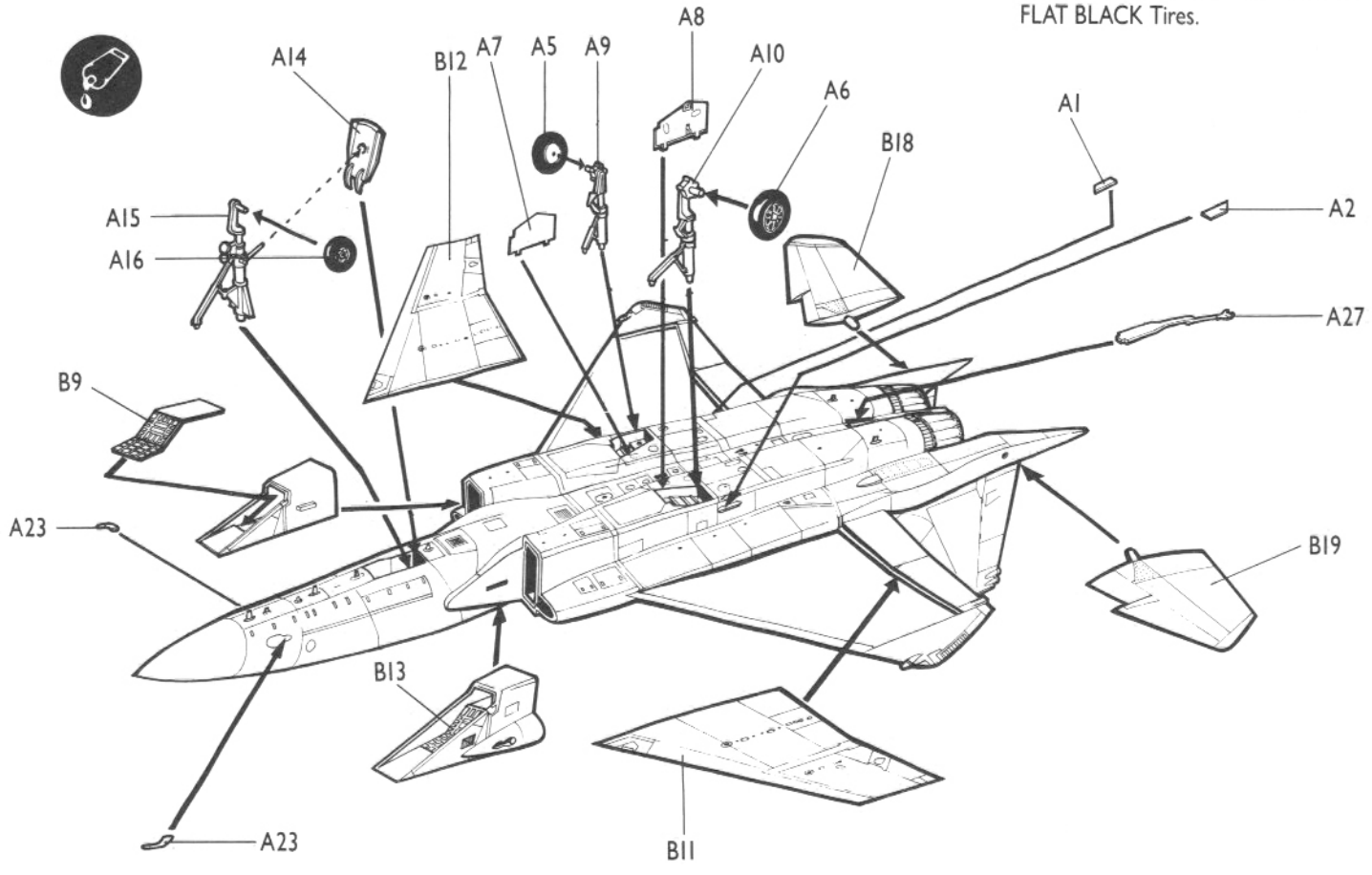


5 INTAKE ASSEMBLIES

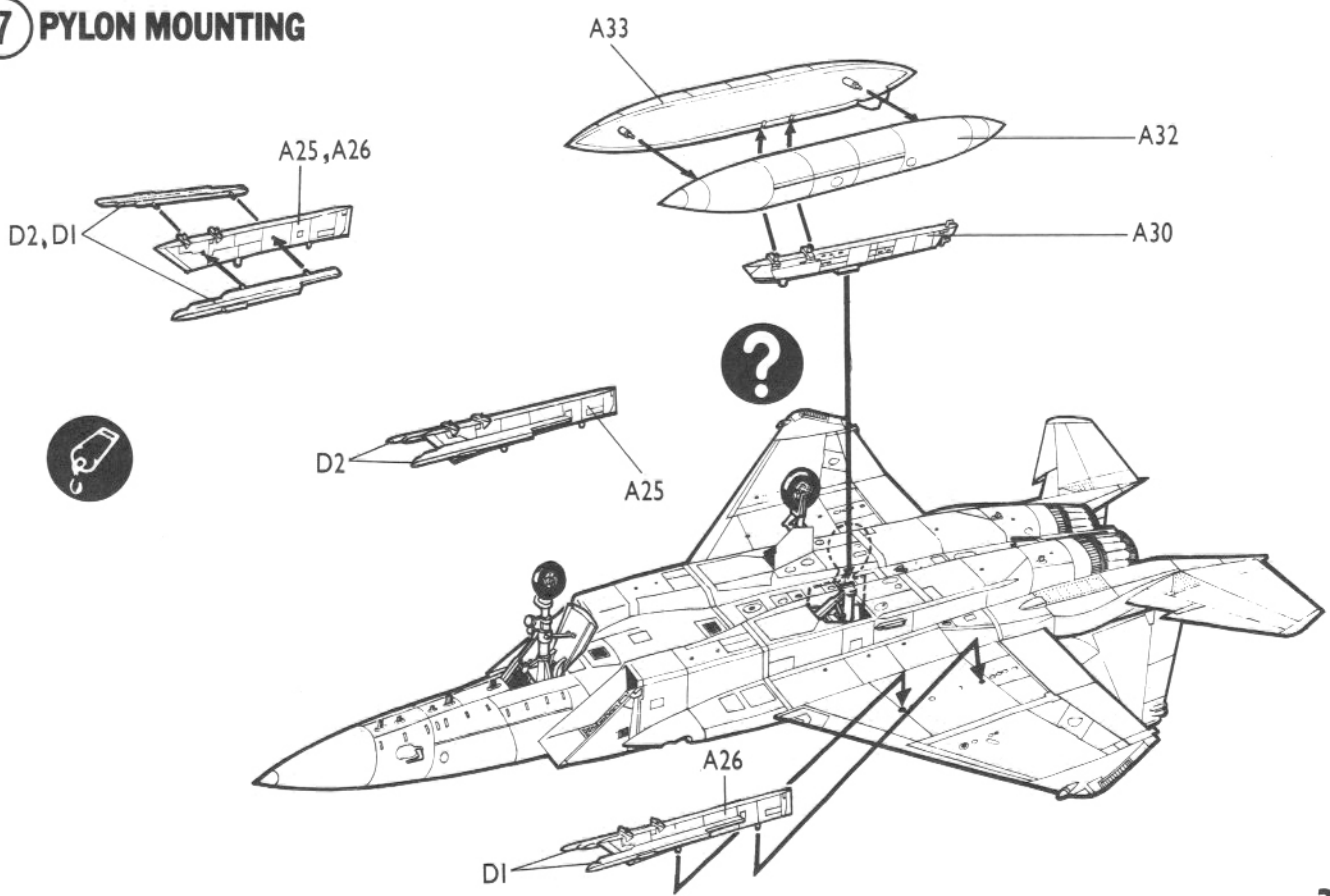


6 MAIN LOWER ASSEMBLY

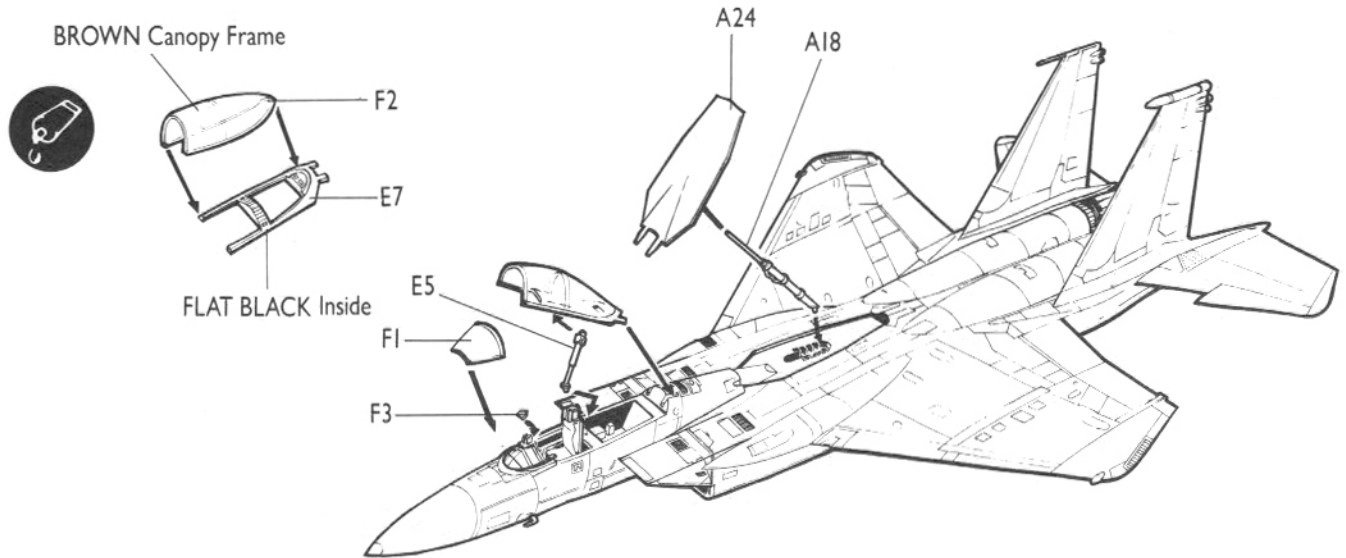
GLOSS WHITE Wheels.
Wheel Wells, Struts and Inside Doors.
FLAT BLACK Tires.



7 PYLON MOUNTING



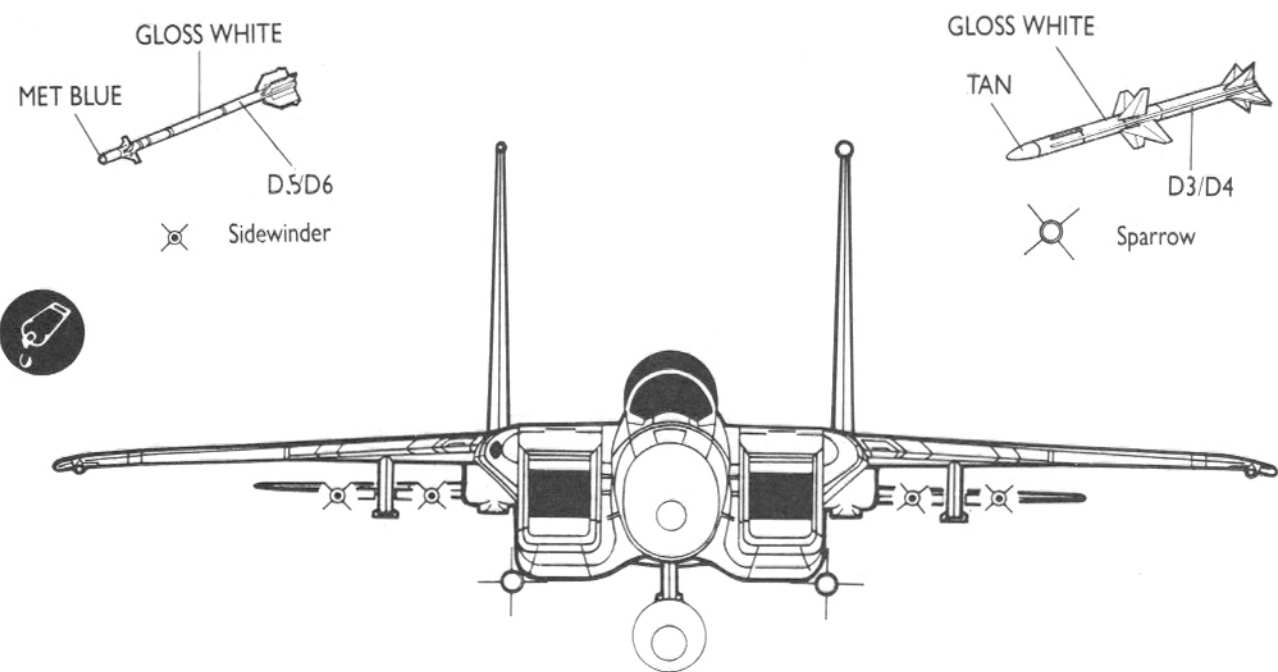
8 CANOPY INSTALLATION



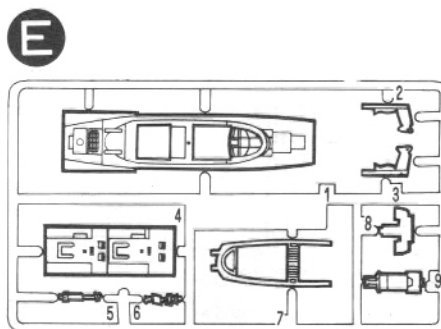
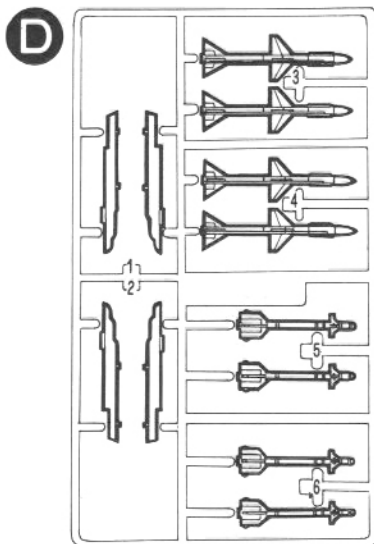
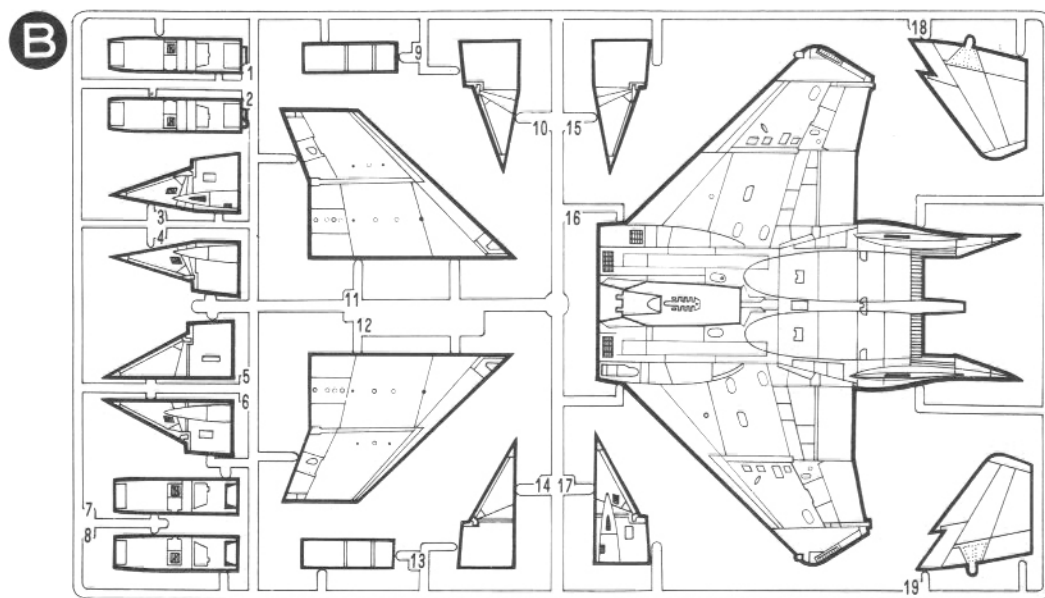
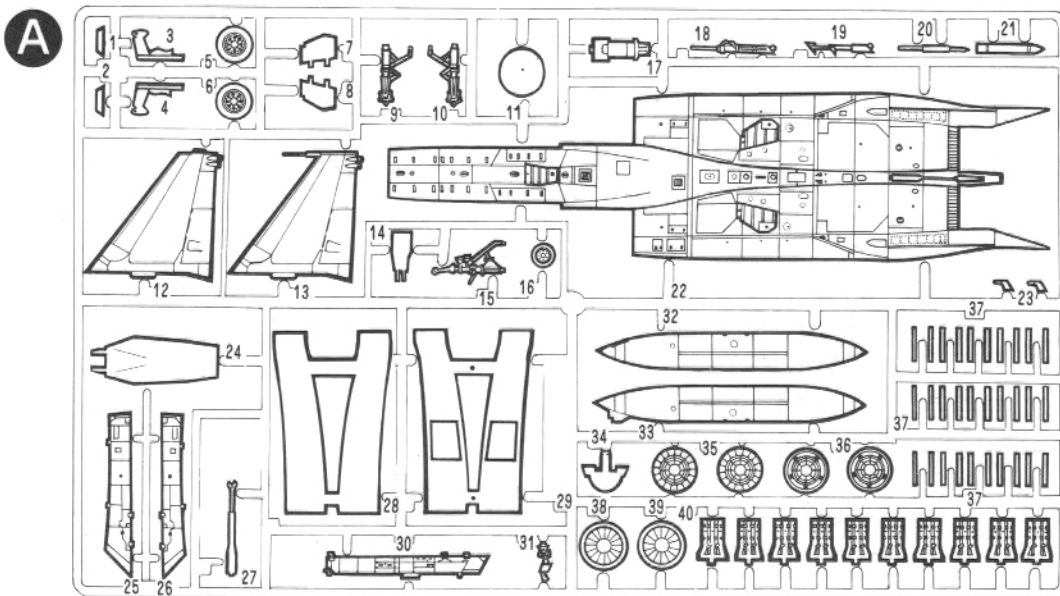
9 LADDER MOUNTING



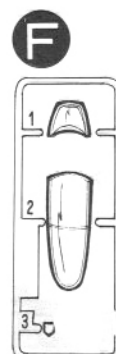
10 ARMAMENT LOCATION



PARTS LOCATING DIAGRAM

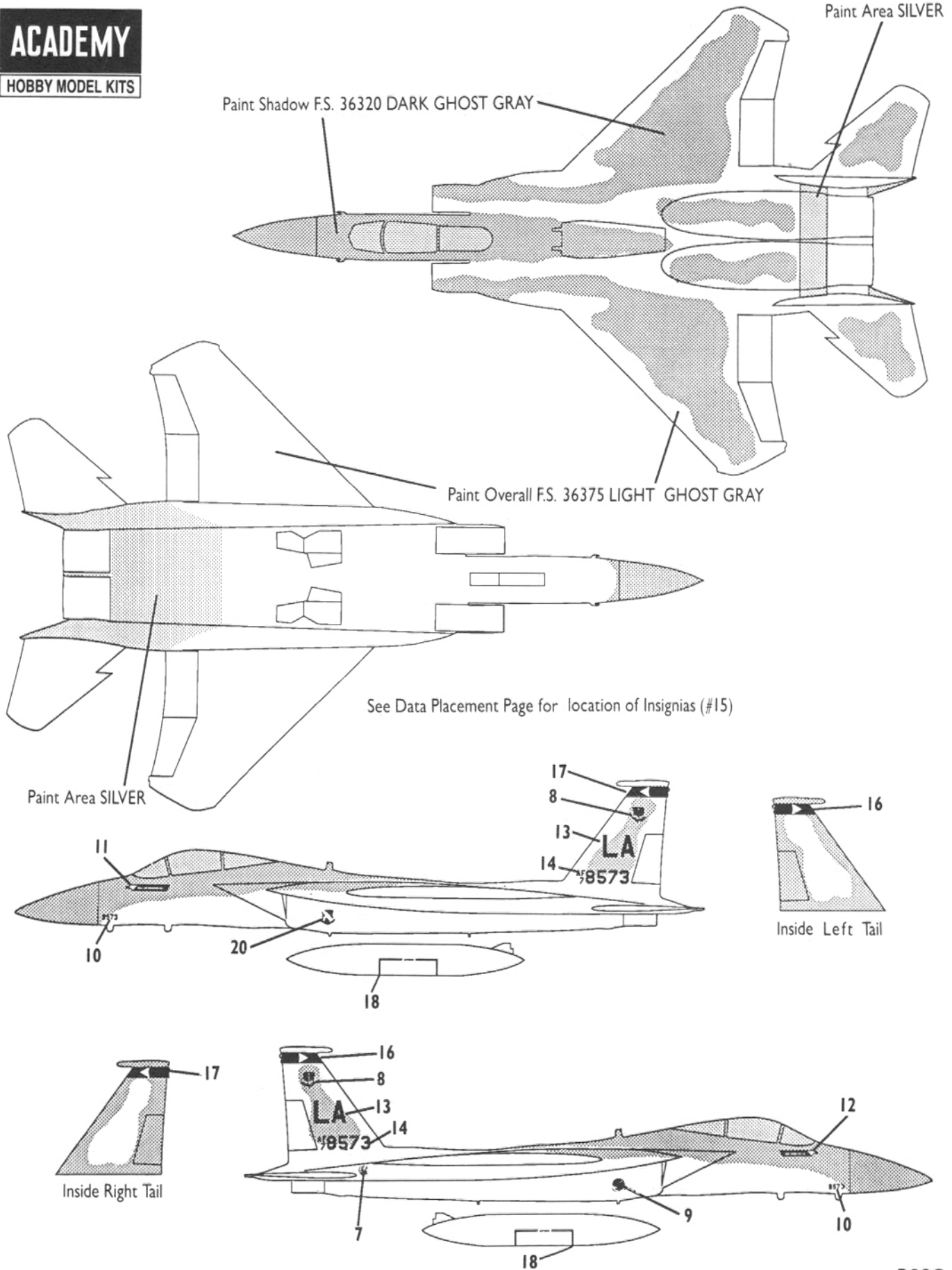


ACADEMY
HOBBY MODEL KITS



PAINING AND DECAL PLACEMENT

ACADEMY
HOBBY MODEL KITS



Location of data decals on the F-15

In case of multiple letters, (Mor XX, for example) the first letter 'designates' markings for the ground attack (dark gray) scheme, the second letters indicate the markings for the Ghost Gray scheme
 Where no choice is given, the decal is common to both schemes.

