

1/48 Scale

ITEM No.:80345



A-7E Corsair II

A-7E コルセアII

A-7E “海盜”II 攻击机

PLEASE READ BEFORE OPERATION!

- * Tools recommended as below: (Not included)
Adhesives; Paints; Side Cutters; Sharp Edged Pliers; Modeling Knife; Modeling File; Nippers; Drill; Scissors; Sand Paper; Soft Cloth; Cyanoacrylate Glue.
- * Make sure to read this instruction listed below before assembling.
- * The kit contains the small parts, they can be dangerous if swallowed by mistake, so keep them away from reach of children.
- * Cut the all parts off carefully and remove the waste parts into the garbage can.
- * More caution and care should be needed for cutting and handling the photo etched parts.
- * Make attention that some parts should be attached the decal when assembled.
- * During assembling, please tear up and throw away the plastic bags, or may cause the dangerous if wearing over head by children's mistake.
- * When using the adhesives and paints, please do not use them in the closed room or near the fire, also must be very careful to protect your eyes, face and clothes.
- * Adult supervised when assembled by children under 14 years old.

装配前请仔细阅读:

- * 推荐使用的模型工具(请自备):
专用模型胶水, 专用模型油漆, 水口剪刀, 长咀钳, 刀片, 锉刀, 镊子钳, 钻, 剪刀, 软布, 砂纸, 瞬间快干胶等。
- * 用水口剪刀或刀片小心切下所有塑胶零件和蚀刻片零件, 不要遗失小零件。
- * 切取蚀刻片时应特别注意防止利边划伤手指。
- * 用模型锉刀小心锉平所有零件表面的注射浇口。
- * 用适量的强力快干胶水粘合蚀刻片零件和金属轴, 切忌过量, 否则可能导致可动零件被粘住。
- * 注意某些零件表面需在装配时同步贴上水贴纸。
- * 制作时应远离幼儿并将包装袋及时收妥, 谨防小孩玩耍而引起意外。



Using CA super glue
使用强力胶



weight
配重



make hole
钻孔



cut / remove
切除



option
选择



no cement
不涂胶水



decal
贴纸



bend
弯曲



repair
填补

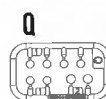
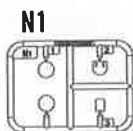
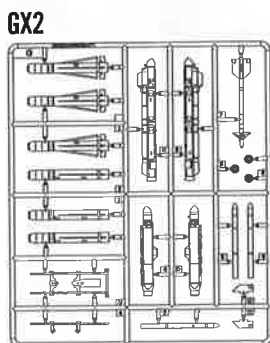
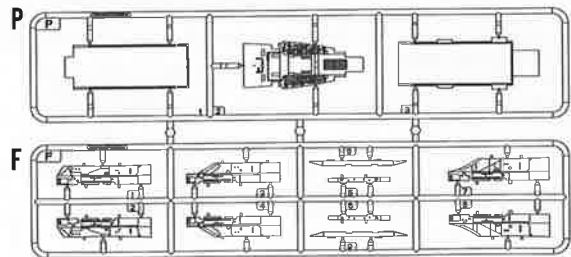
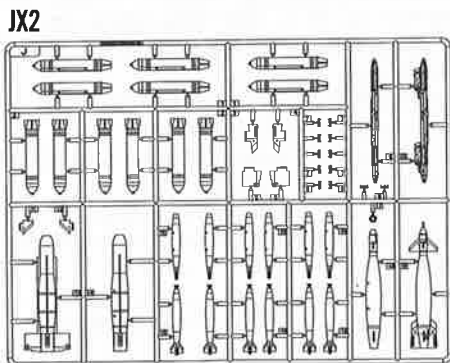
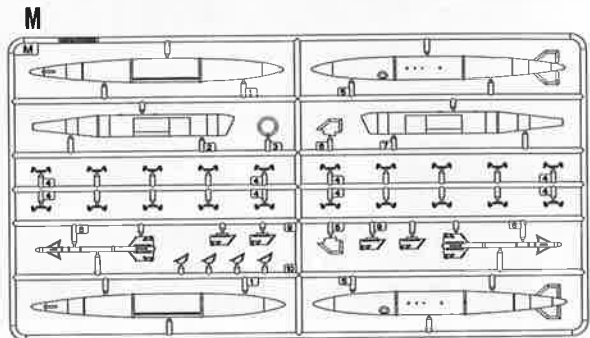
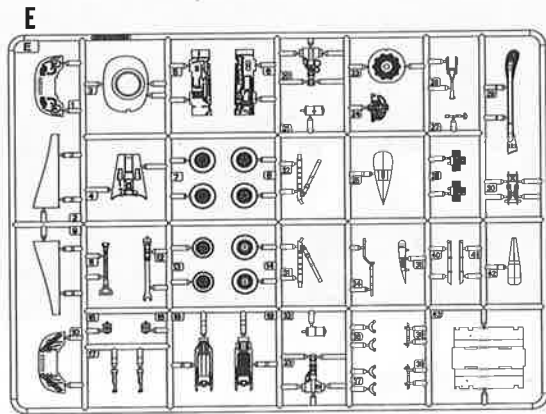
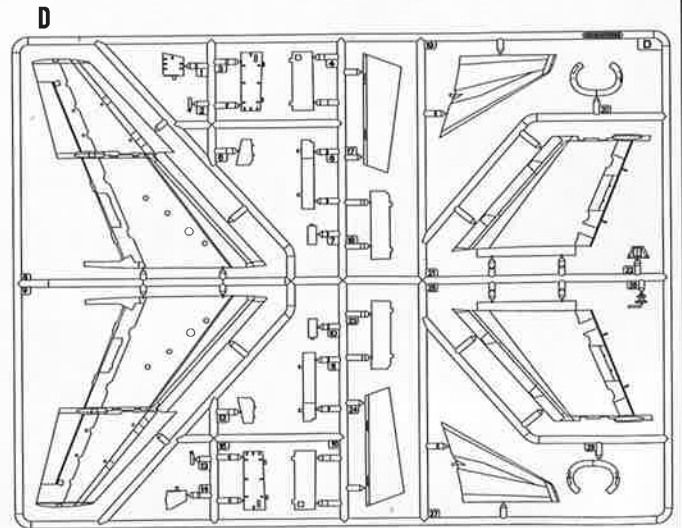
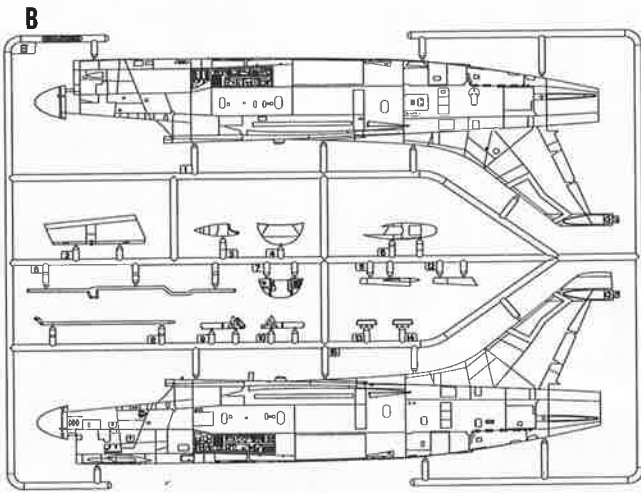
The method to apply the decals

1. Cut off the decal from the decal paper and put it into the warm water 40°C for 10 seconds.
2. Take the decal from the water and put it on a piece of clean cloth.
3. Remove the decal slowly from the paper to the targeted location by a wet finger.
4. Use a piece of dry and soft cloth to press it gently on the decal until it getting dry and no bubble existing.

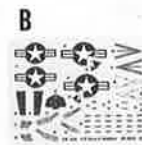
水贴纸的使用方法:

- 一. 把相关的印花从水贴纸上剪下, 放入40°C左右的温水中浸10秒。
- 二. 然后将印花放在干净的布上。
- 三. 拿上印花纸板, 手指蘸水将印花移到适当的位置。
- 四. 用软干布轻压印花直至水干, 气泡消失。

部品图 Parts



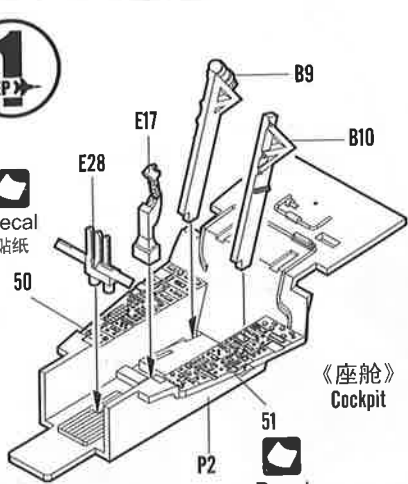
《水贴》
Decal



不用的部件: B5 B12 B13 B14 D22 D28 E7 E19 E20 E25 E35
Unused parts: M8 M9 M10 J13 J14 G5 G6 G9 G10 N2 Q2

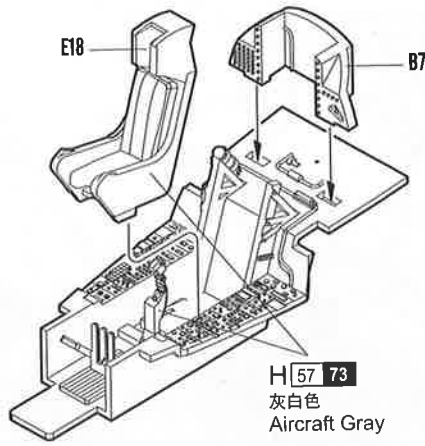
1
STEP 1

Decal
贴纸

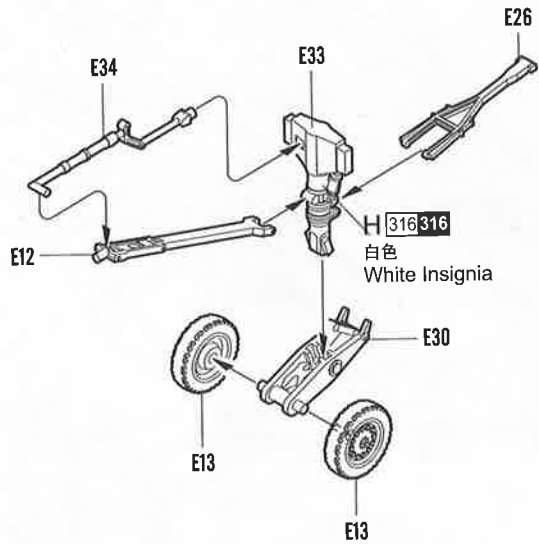
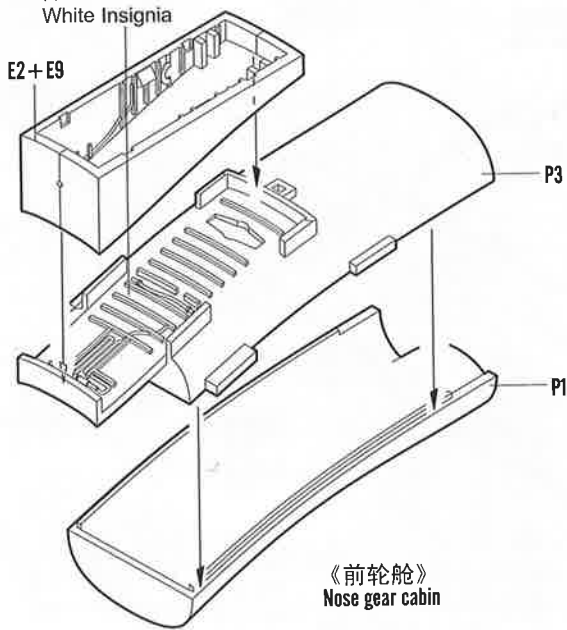
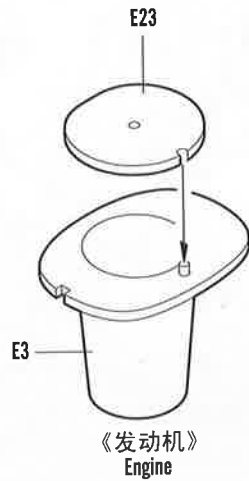


H 316316
白色
White Insignia

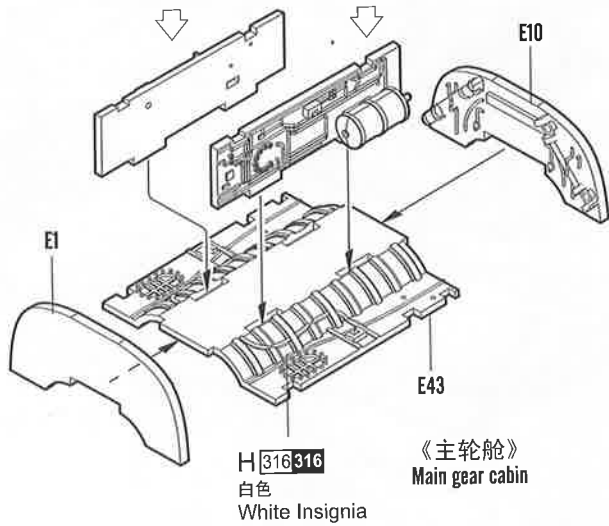
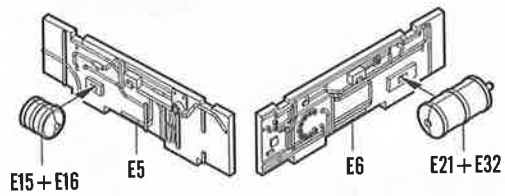
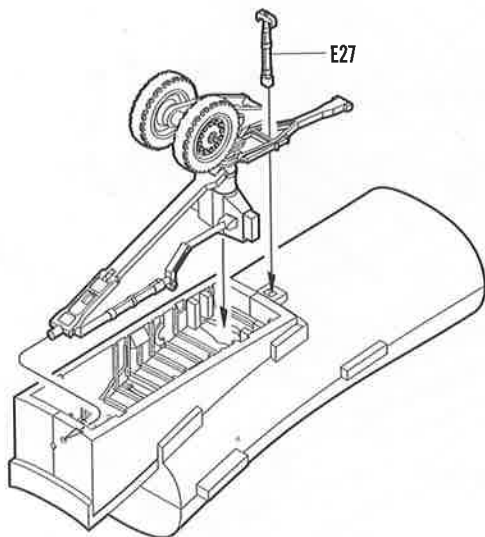
Decal
贴纸



H 57 73
灰白色
Aircraft Gray



H 316316
白色
White Insignia



H 316316
白色
White Insignia

《主轮舱》
Main gear cabin

2
STEP



Cut /Remove
切除

Make holes
钻孔

Make holes
钻孔

Make holes
钻孔

Cut /Remove
切除

《座舱》
Cockpit

《前轮舱》
Nose gear cabin

《主轮舱》
Main gear cabin

《发动机》
Engine

H[58] 27
机体内部色
Interior Green

H[76] 61
烧铁色
Burnt Iron

Make holes
钻孔

Make holes
钻孔

F7
M4 M4 M4
F1 F3

D8

D17

《左侧机翼》
Left wing

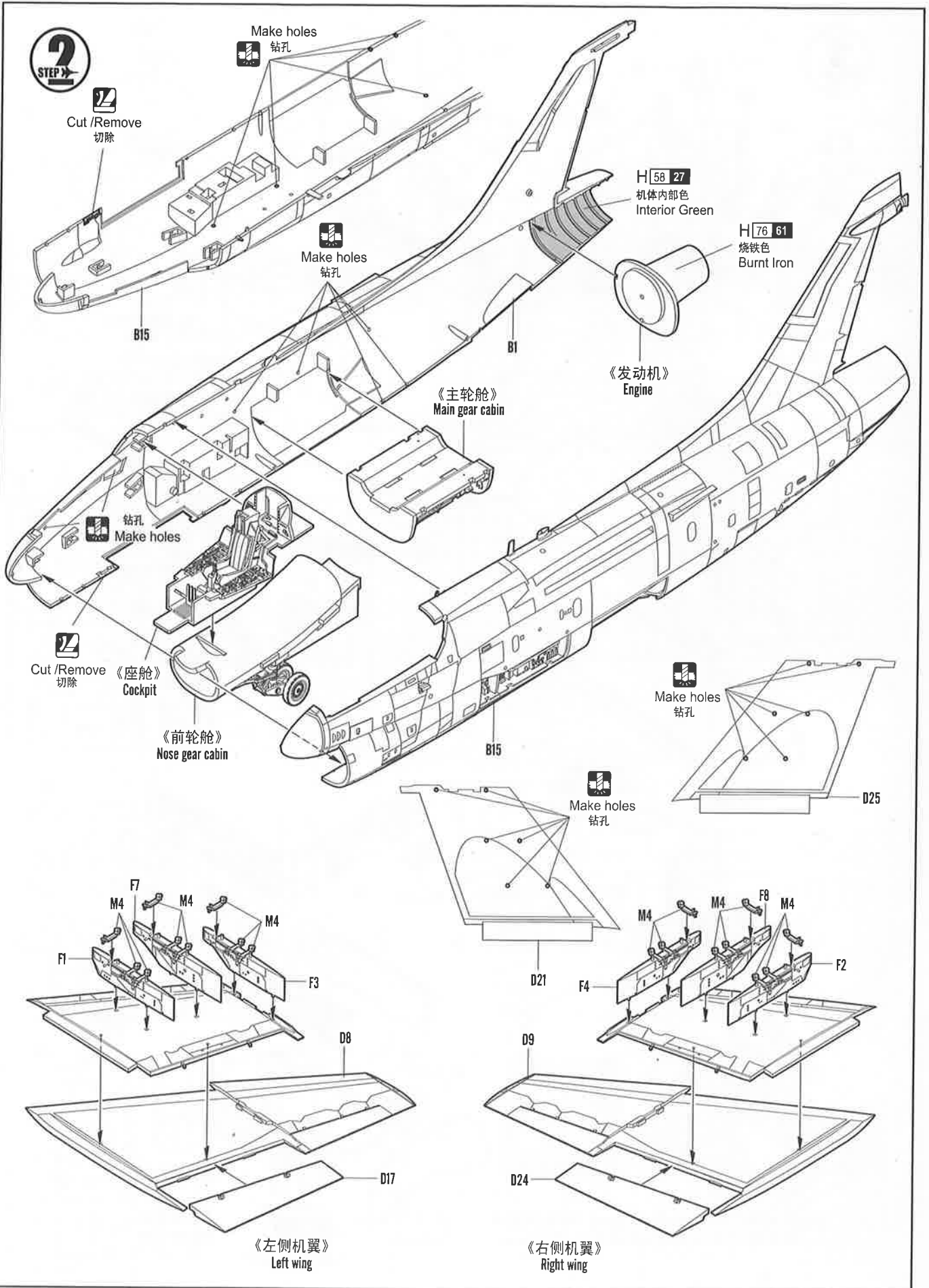
D21

M4 M4 F8 M4
F4 F2

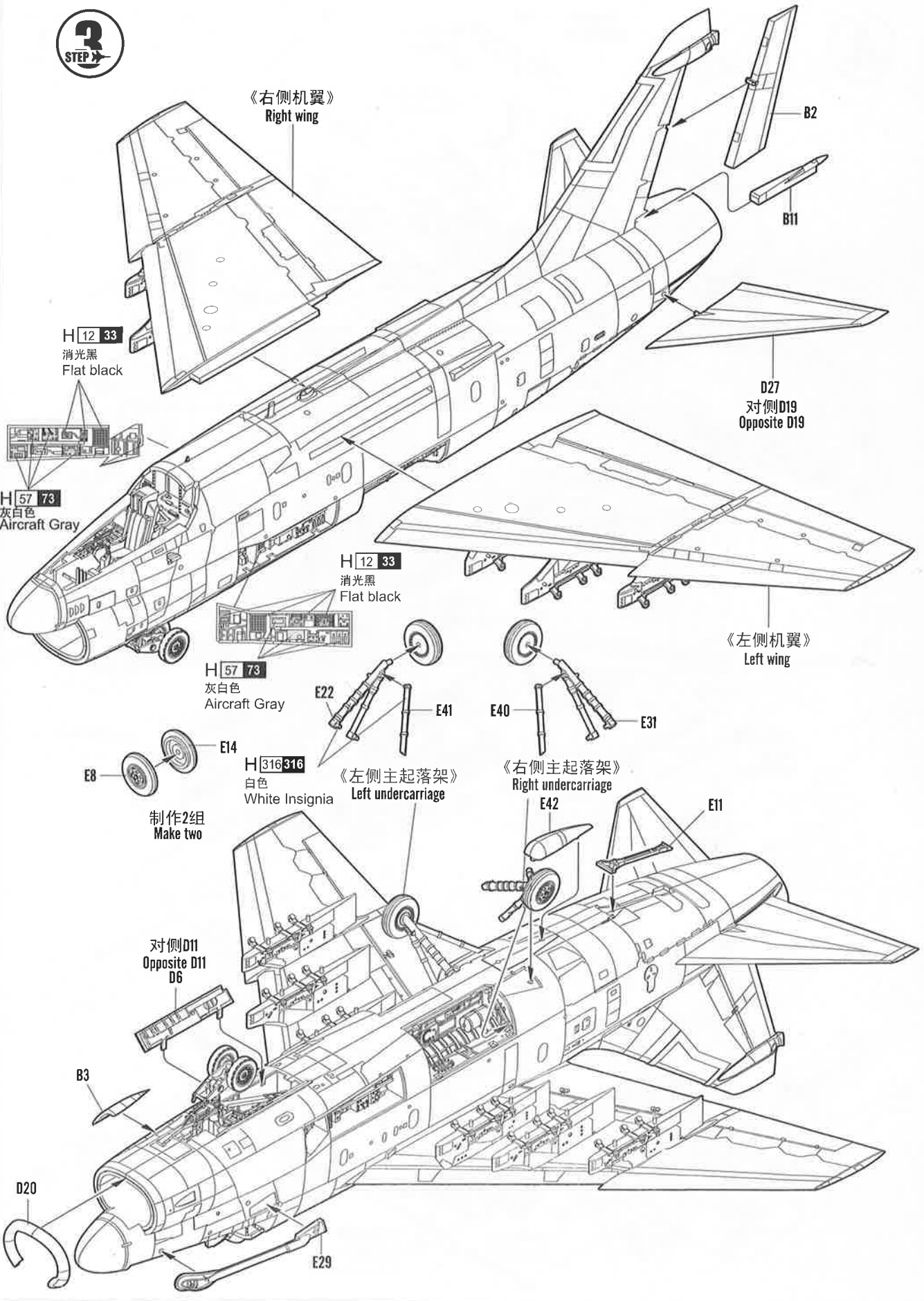
D9

D24

《右侧机翼》
Right wing



3
STEP



《右侧机翼》
Right wing

H 12 33
消光黑
Flat black

H 57 73
灰白色
Aircraft Gray

H 12 33
消光黑
Flat black

H 57 73
灰白色
Aircraft Gray

D27
对侧D19
Opposite D19

《左侧机翼》
Left wing

E22 E41

E40 E31

E8 E14

H 316 316
白色
White Insignia

《左侧主起落架》
Left undercarriage

《右侧主起落架》
Right undercarriage

制作2组
Make two

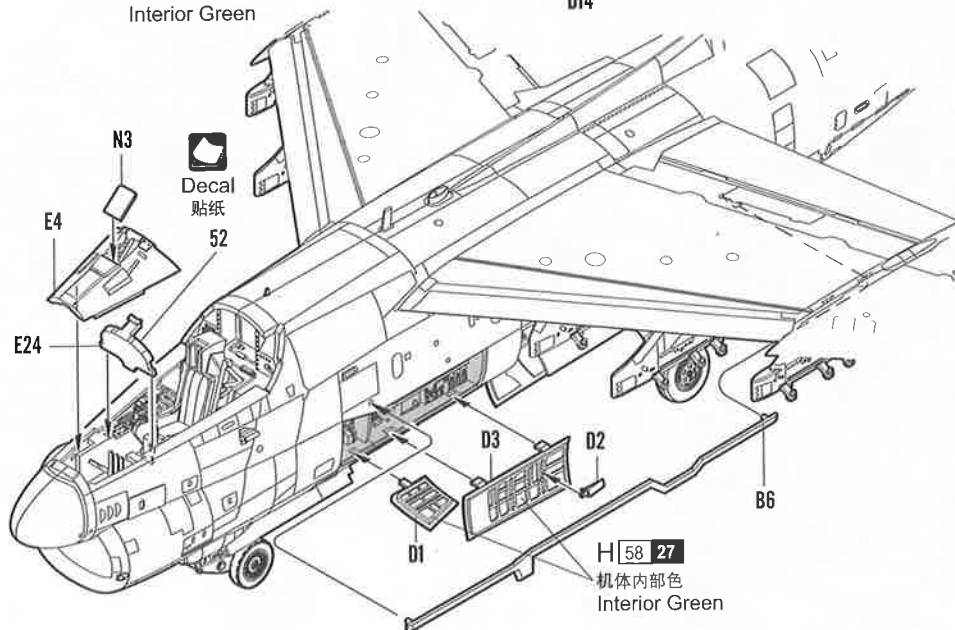
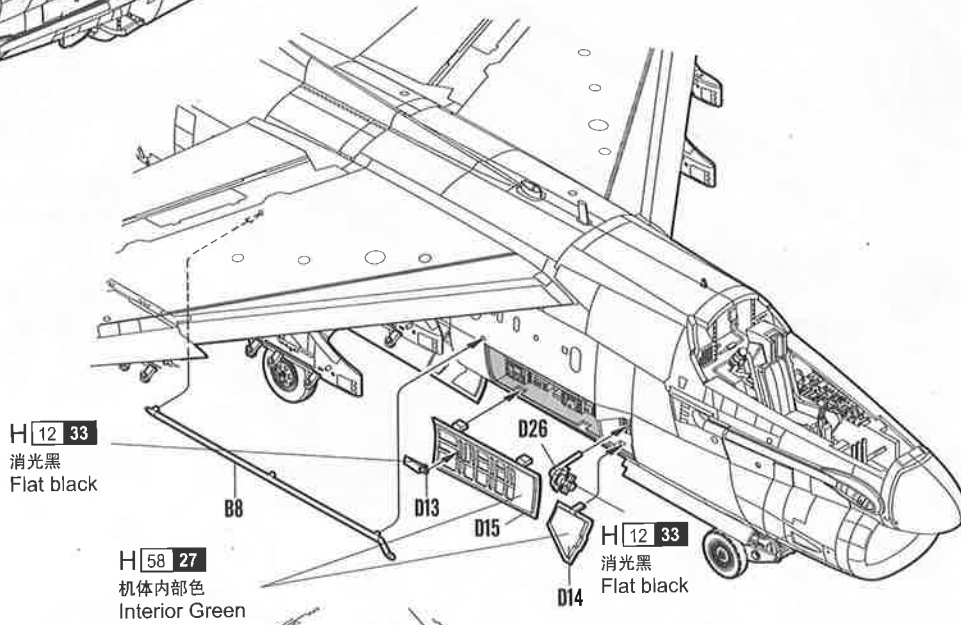
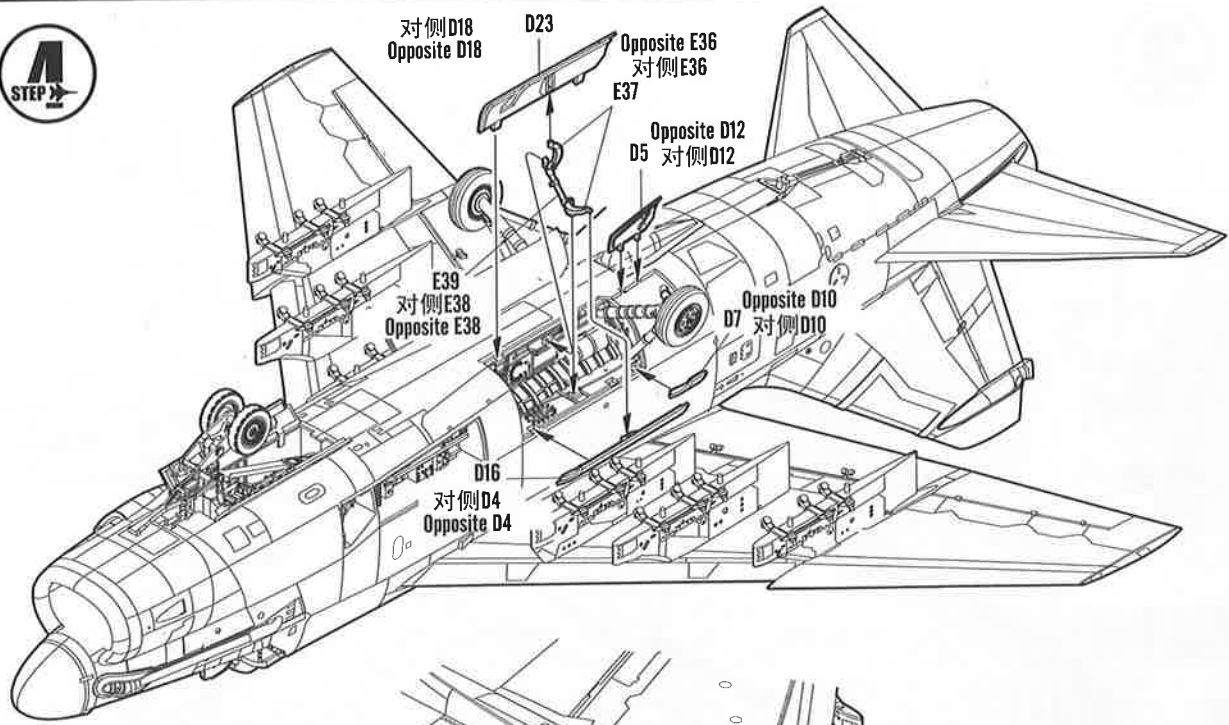
对侧D11
Opposite D11
D6

B3

E11

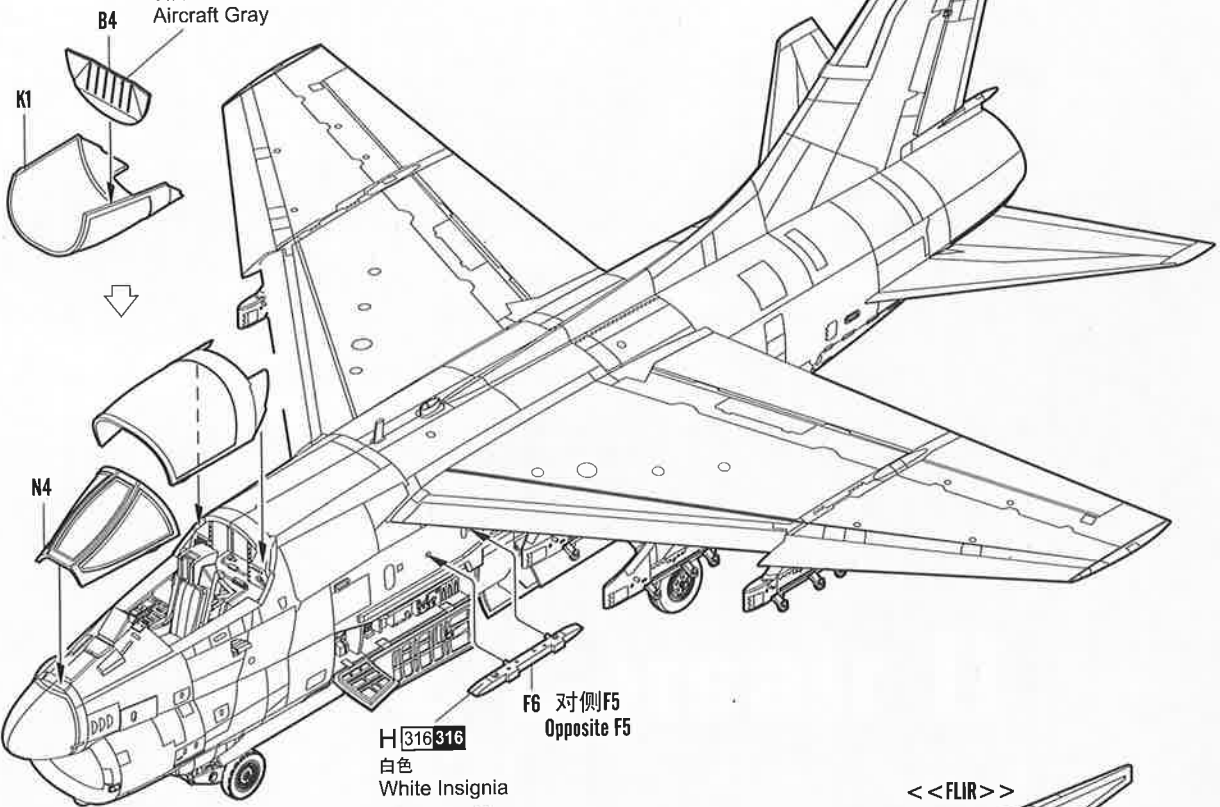
D20

E29

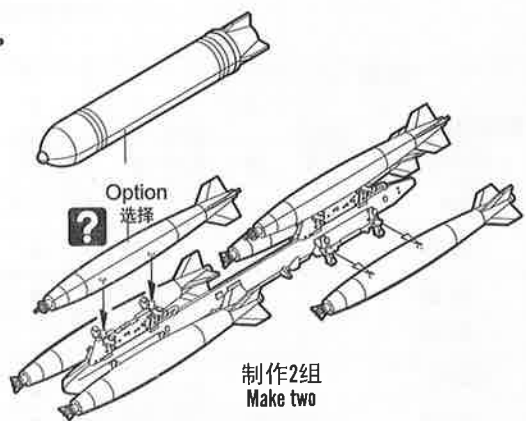
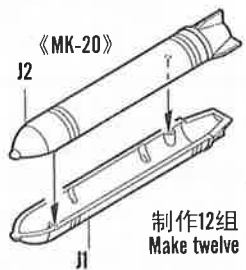
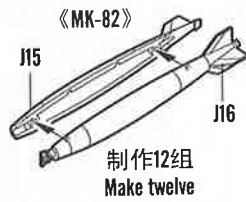
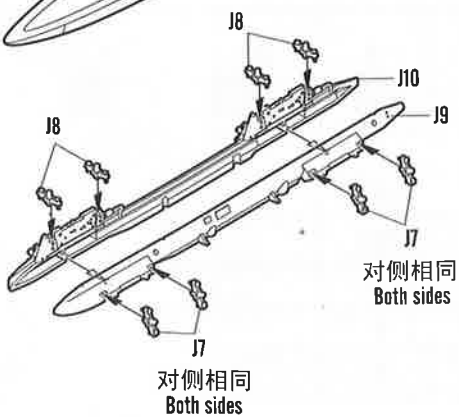
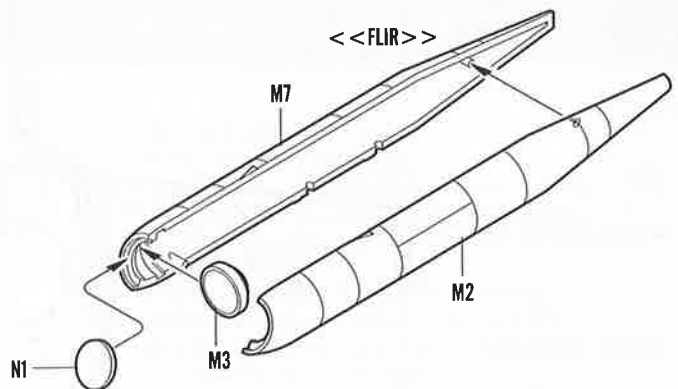
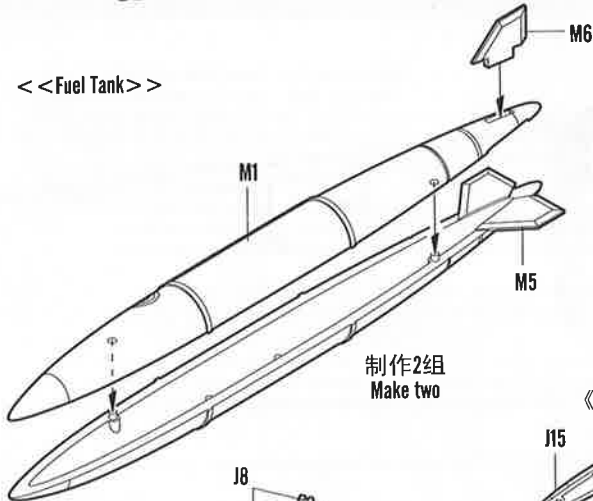


5
STEP 5

H 57 73
灰白色
Aircraft Gray



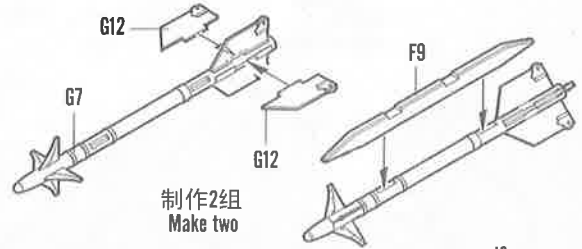
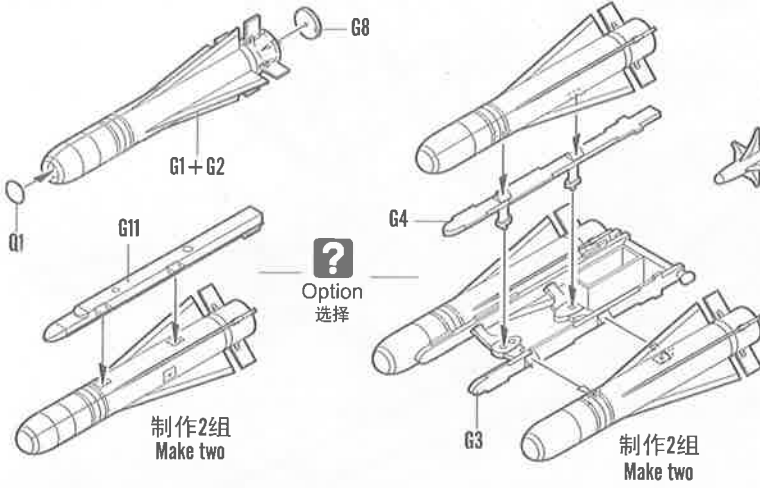
<<Fuel Tank>>



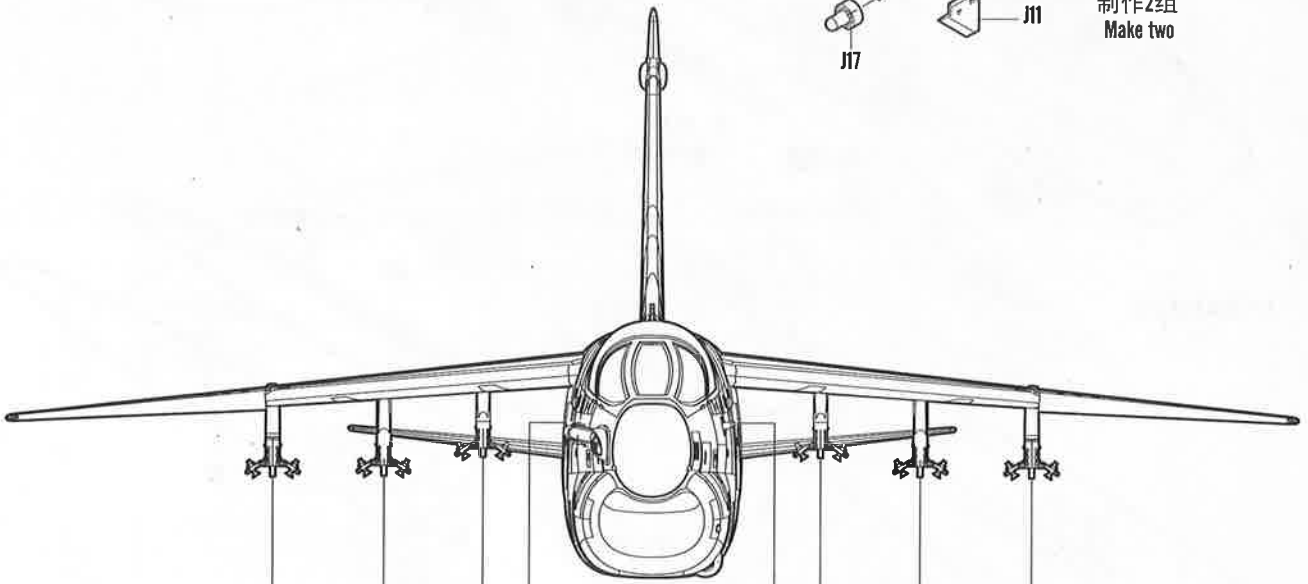
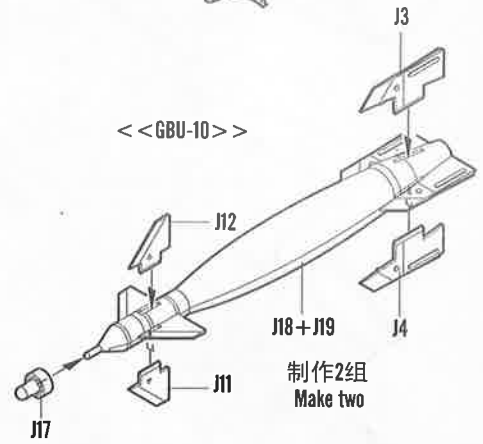


<<AGM-65>>

<<AIM-9L>>

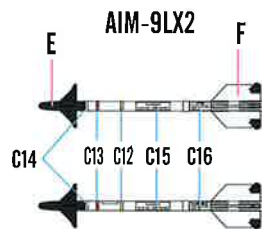
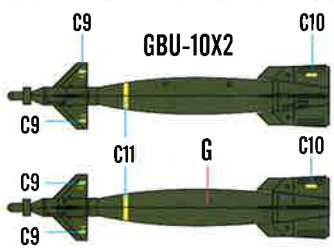
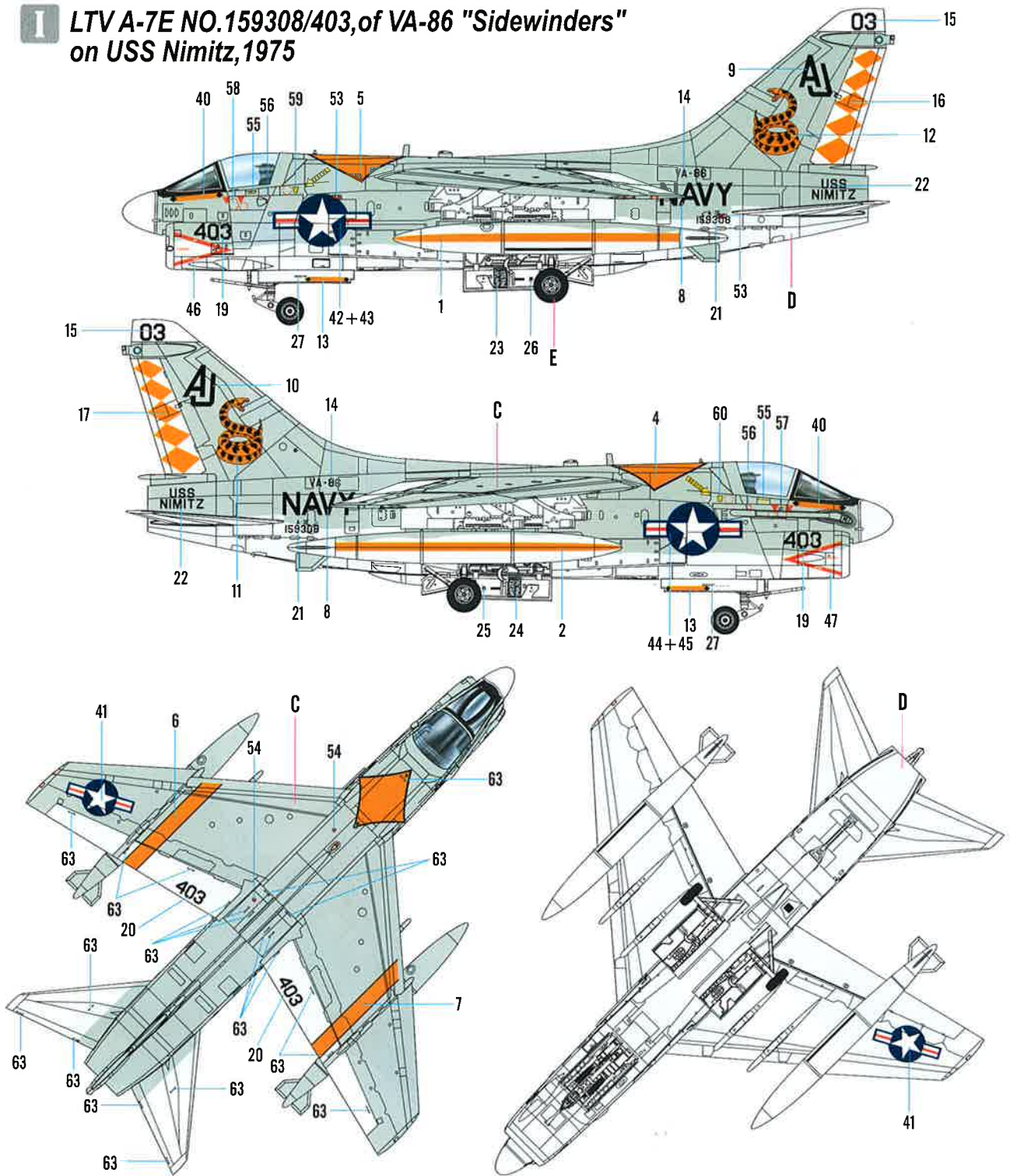


<<GBU-10>>

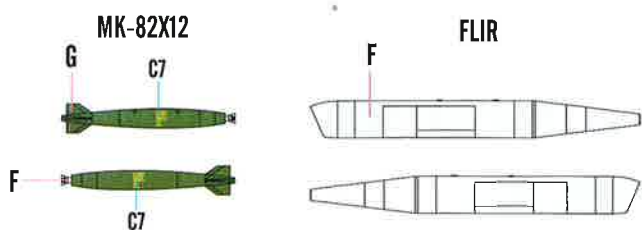
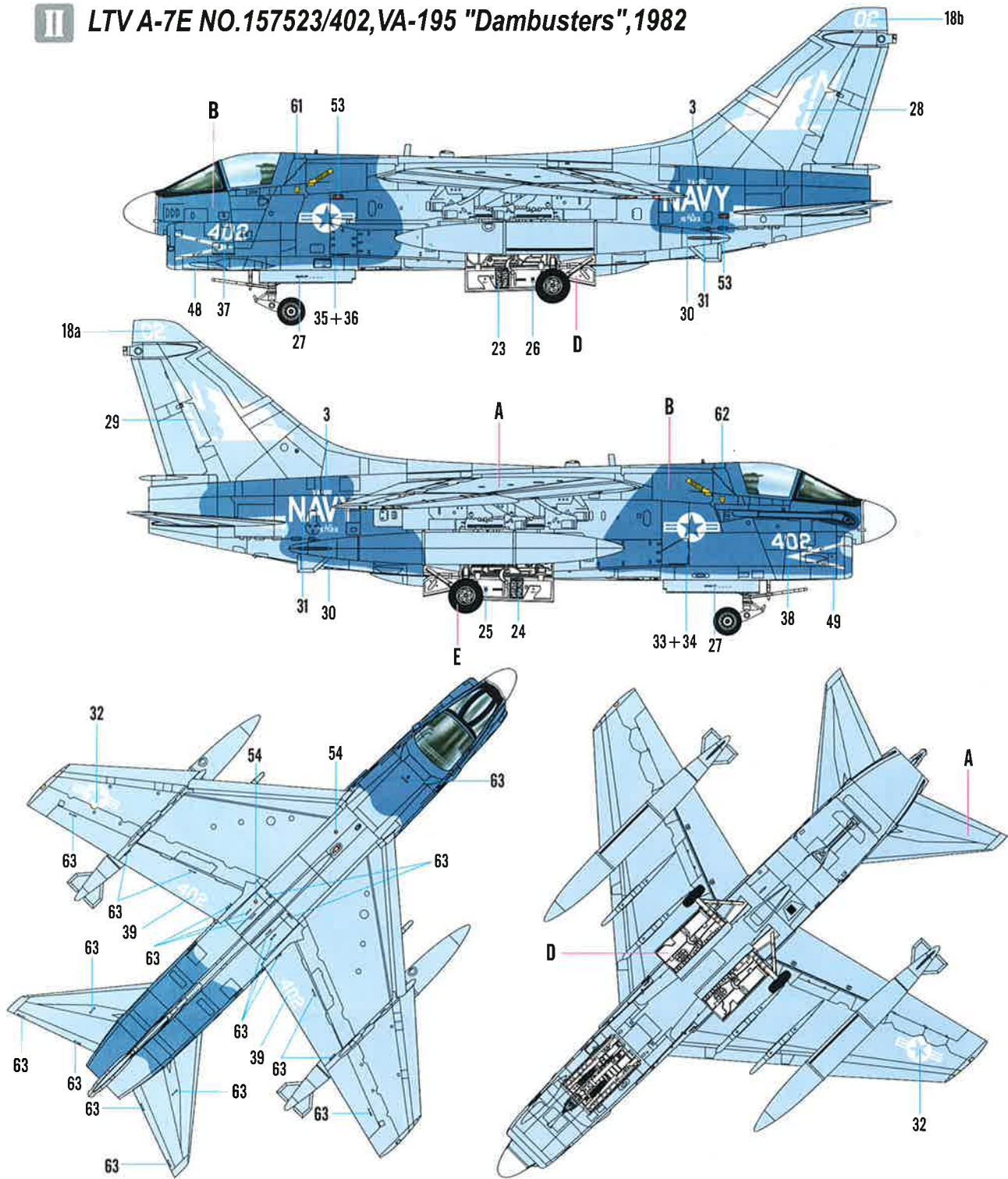


Sta.No.	1	2	3	4	5	6	7	8
Missile/Tank								
Fuel Tank	●	●					●	●
FLIR						●		
MK-82		●●●●	●			●	●●●●	
MK-20		●●●●	●			●	●●●●	
AIM-9L				●	●			
AGM-65		●	●●●			●●●	●	
GBU-10		●	●			●	●	

I LTV A-7E NO.159308/403, of VA-86 "Sidewinders" on USS Nimitz, 1975



II LTV A-7E NO.157523/402, VA-195 "Dambusters", 1982



Color	Mr.Hobby	Vallejo	Model Master	Tamiya	Humbrol
A 灰色 Dark Compass Chest Gray	H 307 307	--	1741	XF22	128
B 浅灰兰 Gray Blue	H 337 337	--	1721	XF20	145
C 灰色 Light Gull	H 315 315	843	1730	--	129
D 白色 White	H 316 316	991	1745	X2	22
E 消光黑 Flat Black	H 12 33	950	1749	XF1	33
F 银色 Silver	H 6 8	997	1546	X11	11
G 橄欖色 Olive Drab(1)	H 52 12	887	1711	XF62	155