



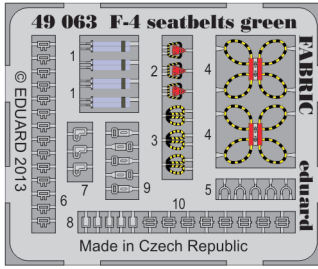
F-4 seatbelts green FABRIC

1/48 scale detail set for kit • sada detailů pro model 1/48

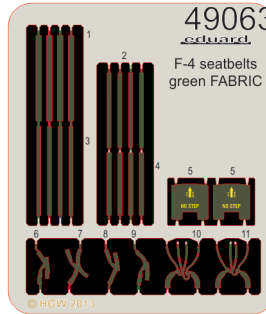
eduard

49 063

**PE -
PHOTOETCHED
PART**



**TP -
TEXTILE
PART**



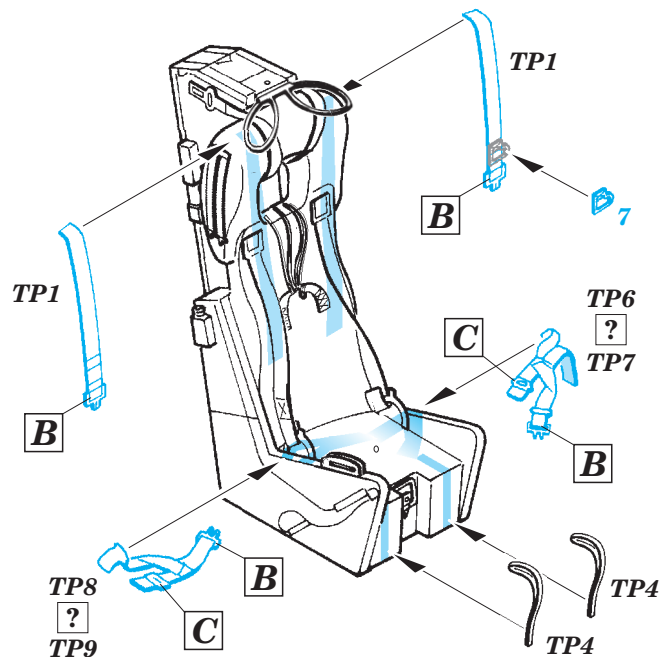
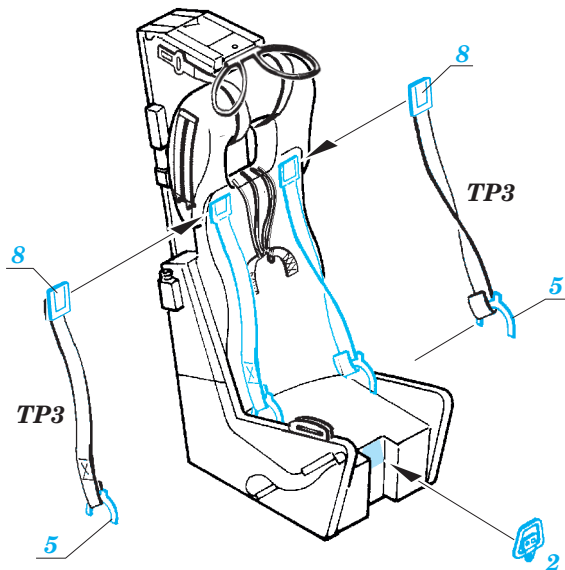
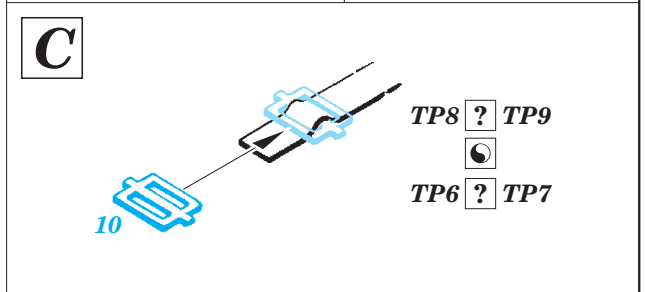
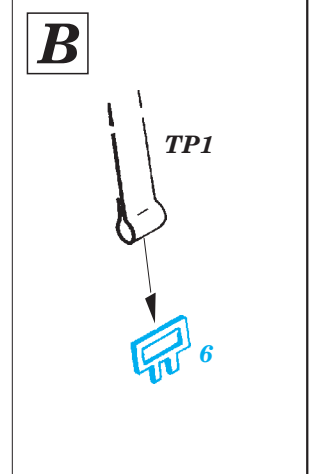
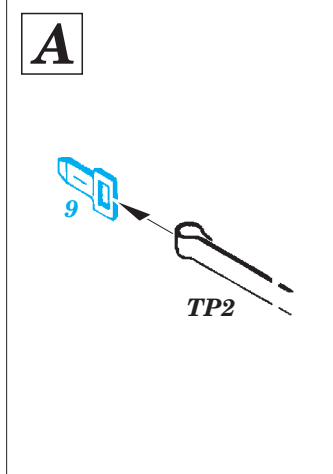
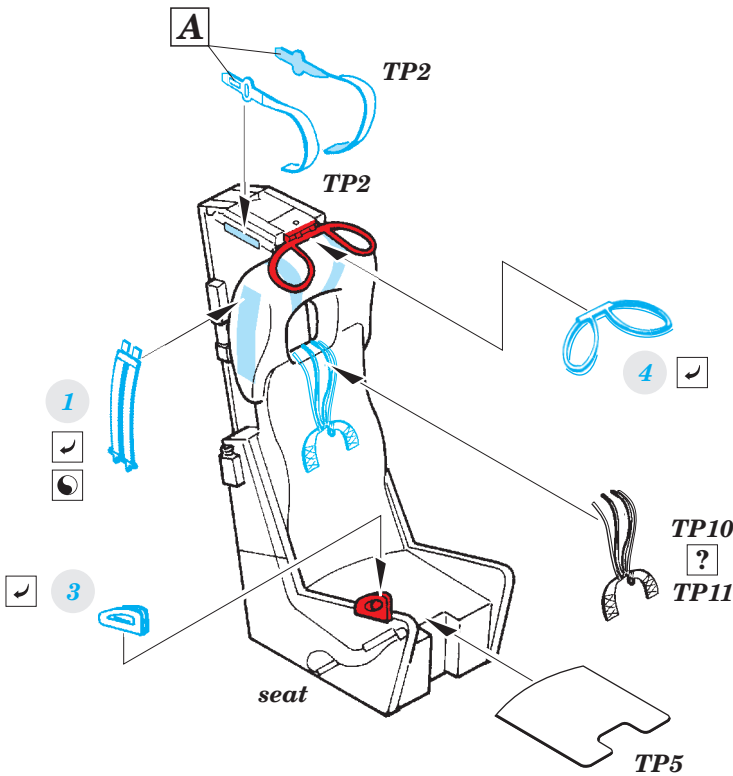
- ★ APPLY EXPRESS MASK AND PAINT BEFORE GLUING
POUŽIT EXPRESS MASK NABARVIT PŘED SLEPENÍM
- ◐ SYMMETRICAL ASSEMBLY
SYMETRICKÁ MONTÁŽ
- REMOVE
ODSTRANIT
- ▨ GRIND
OBROUSIT
- ⊘ DRILL HOLE
VRTAT OTVOR
- 1 COLORED ETCHED PARTS
LEPTANÉ BAREVNÉ DÍLY
- ↪ BEND
OHNOUT
- ⊕ OPTION
VOLBA
- Ⓜ REPLACE
NAHRADIT

■ ORIGINAL KIT PARTS
PŮVODNÍ DÍLY STAVEBNICE

■ PHOTO-ETCHED PARTS
LEPTANÉ DÍLY

■ PARTS TO BE REMOVED
DÍLY K ODSTRANĚNÍ

■ FILL
TMELIT



- 1. Take the precut textile part out of the sheet.**
- 2. Remove supporting paper.**
- 3. Crumple the belt into a little ball and nead it between the fingers.**
- 4. Thread the belts through the buckles - use superglue.**
- 5. Put the belts into the seat.**
- 6. Spray by the glossy varnish.**
- 7. Impregnate the belts with very diluted oil color (mix black and brown) - it will highlight the texture.**
- 8. Spray by matt varnish.**

After the varnish becomes dry it is possible to drybrush with light oil colour.