

BLACK BOX
...your step to perfection...

developed & manufactured by

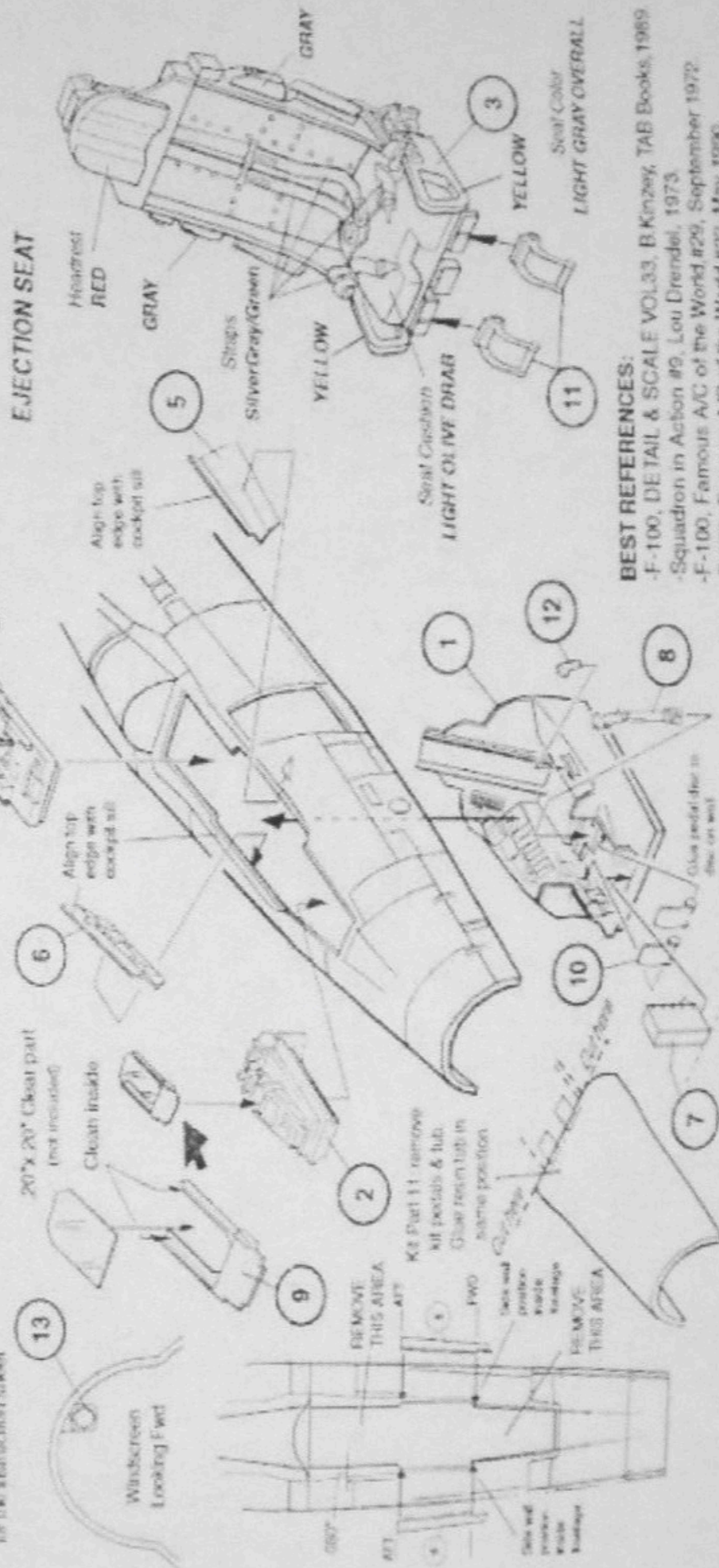
V.M.D.

With thanks to the **Machmaster & Willy Peeters**
for the instruction sheet

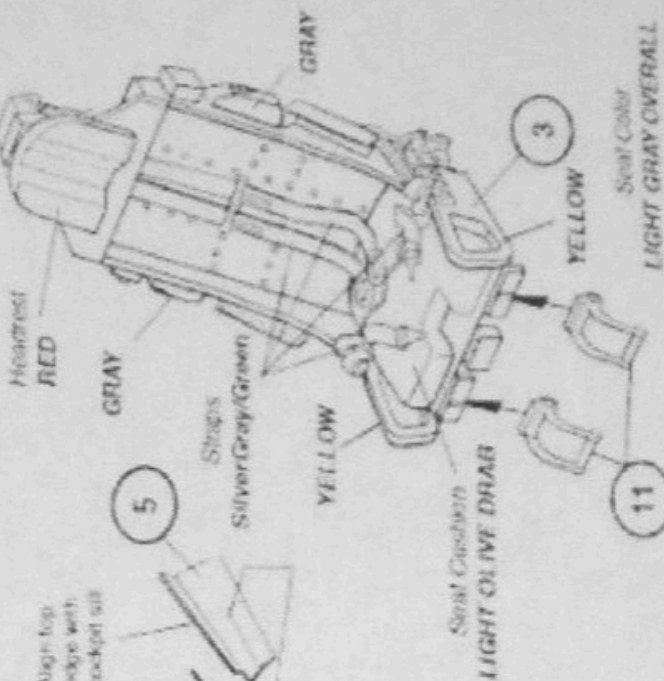
PARTS

1. Cockpit Tub
2. Glassshield
3. Ejection Seat
4. Rear Deck
5. Left side Cockpit wall
6. Right side Cockpit wall
7. Center Console
8. Control Stick

9. HUD Frame
10. Rudder Pedal (one each per carrier)
11. Seat Foot Rest (one each per carrier)
12. Throttle
13. Stand-By Compass



EJECTION SEAT



BEST REFERENCES:

- F-100, **DE TAIL & SCALE VOL.33**, B.Kinzey, TAB Books, 1969
- Squadron in Action #9, Lou Drendel, 1973
- F-100, **Famous A/C of the World #29**, September 1972
- F-100, **Famous A/C of the World #22**, May 1990.
- Warpaint #4, NA F-100, L. Pearce, Hall Park Books, 1996

Paint cockpit according to kit instructions.

Copyright © Black Box 2000