

# F6F-3N Hellcat

F6F-3N ヘルキャット

F6F-3N “地狱猫”夜战型

## PLEASE READ BEFORE OPERATION!

- \* Tools recommended as below: (Not included)  
Adhesives; Paints; Side Cutters; Sharp Edged Pliers; Modeling Knife; Modeling File; Nippers; Drill; Scissors; Sand Paper; Soft Cloth; Cyanoacrylate Glue.
- \* Make sure to read this instruction listed below before assembling.
- \* The kit contains the small parts, they can be dangerous if swallowed by mistake, so keep them away from reach of children.
- \* Cut the all parts off carefully and remove the waste parts into the garbage can.
- \* More caution and care should be needed for cutting and handling the photo etched parts.
- \* Make attention that some parts should be attached the decal when assembled.
- \* During assembling, please tear up and throw away the plastic bags, or may cause the dangerous if wearing over head by children's mistake.
- \* When using the adhesives and paints, please do not use them in the closed room or near the fire, also must be very careful to protect your eyes, face and clothes.
- \* Adult supervised when assembled by children under 14 years old.

## 装配前请仔细阅读:

- \* 推荐使用的模型工具(请自备):  
专用模型胶水, 专用模型油漆, 水口剪刀, 长咀钳, 刀片, 锉刀, 镊子钳, 钻, 剪刀, 软布, 砂纸, 瞬间快干胶等。
- \* 用水口剪刀或刀片小心切下所有塑胶零件和蚀刻片零件, 不要遗失小零件。
- \* 切取蚀刻片时应特别注意防止利边划伤手指。
- \* 用模型锉刀小心锉平所有零件表面的注射浇口。
- \* 用适量的强力快干胶水粘合蚀刻片零件和金属轴, 切忌过量, 否则可能导致可动零件被粘住。
- \* 注意某些零件表面需在装配时同步贴水上贴纸。
- \* 制作时应远离幼儿并将包装袋及时收妥, 谨防小孩玩耍而引起意外。



Using CA super glue  
使用强力胶



weight  
配重



make hole  
钻孔



cut / remove  
切除



option  
选择



no cement  
不涂胶水



decal  
贴纸



bend  
弯曲



repair  
填补

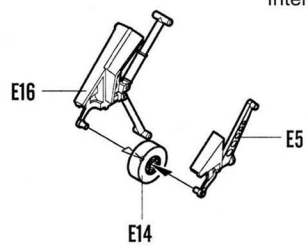
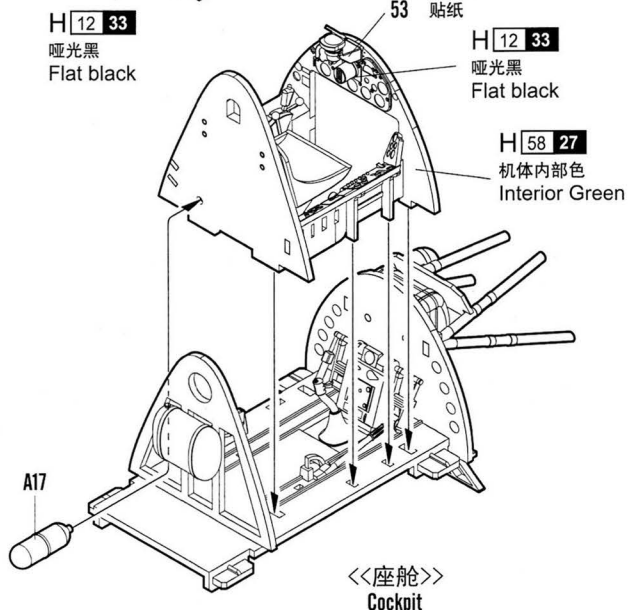
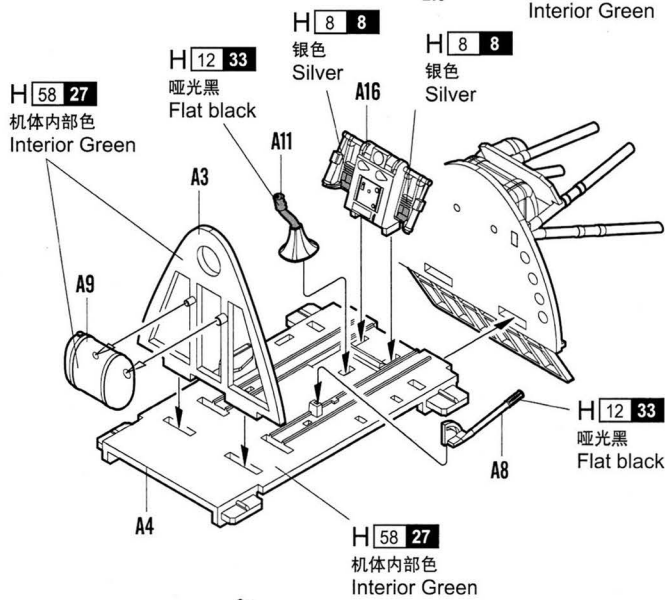
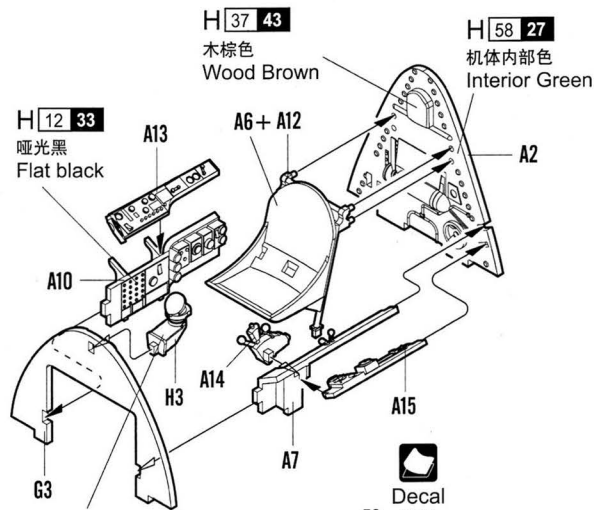
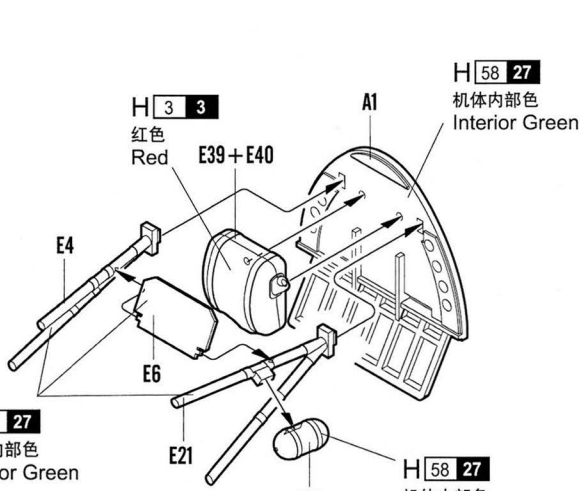
## The method to apply the decals

1. Cut off the decal from the decal paper and put it into the warm water 40°C for 10 seconds.
2. Take the decal from the water and put it on a piece of clean cloth.
3. Remove the decal slowly from the paper to the targeted location by a wet finger.
4. Use a piece of dry and soft cloth to press it gently on the decal until it getting dry and no bubble existing.

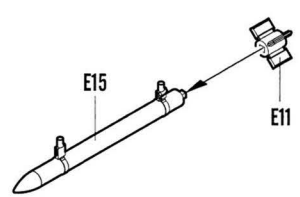
## 水贴纸的使用方法:

- 一. 把相关的印花从水贴纸上剪下, 放入40°C左右的温水中浸10秒。
- 二. 然后将印花放在干净的布上。
- 三. 拿上印花纸板, 手指蘸水将印花移到适当的位置。
- 四. 用软干布轻压印花直至水干, 气泡消失。

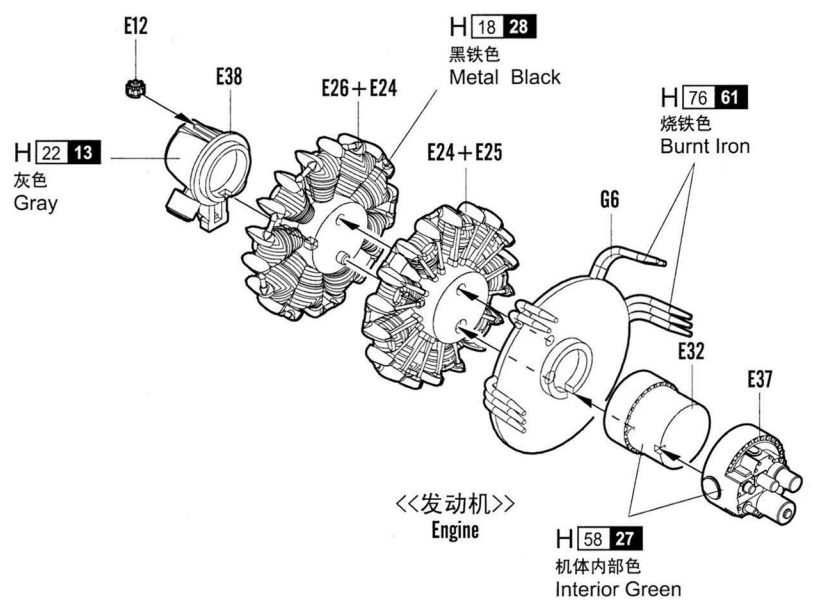
**1**  
STEP

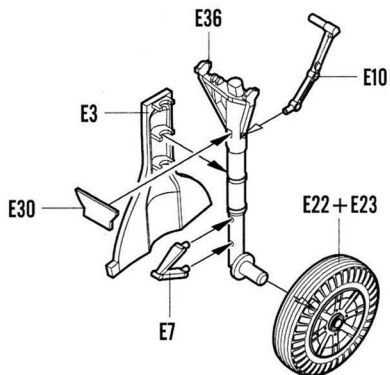


《后起落架》  
Tail undercarriage

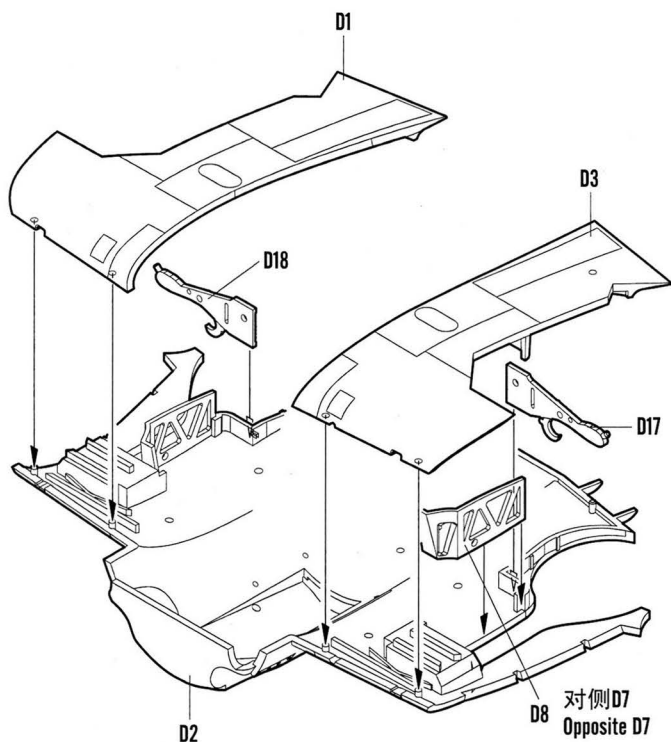


制作6组  
Make six

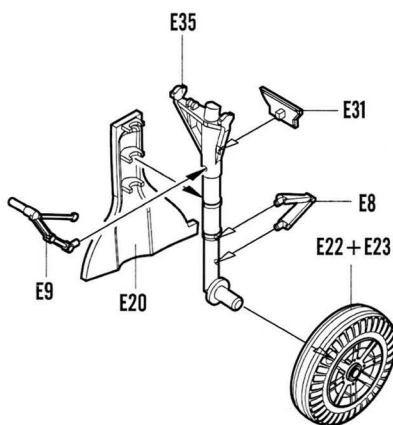




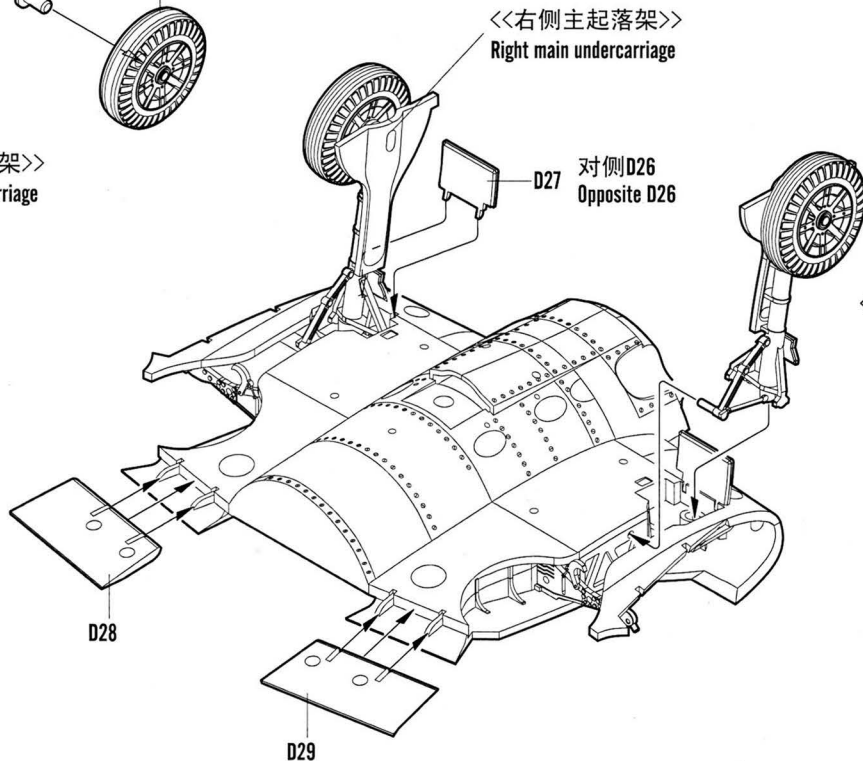
《左侧主起落架》  
Left main undercarriage



《右侧主起落架》  
Right main undercarriage



《右侧主起落架》  
Right main undercarriage



《左侧主起落架》  
Left main undercarriage

3  
STEP

H 58 27  
机体内部色  
Interior Green

H 12 33  
哑光黑  
Flat black

A5

E19

<<后起落架>>  
Tail undercarriage

<<座舱>>  
Cockpit

A18

<<发动机>>  
Engine

H1

D20 + D24

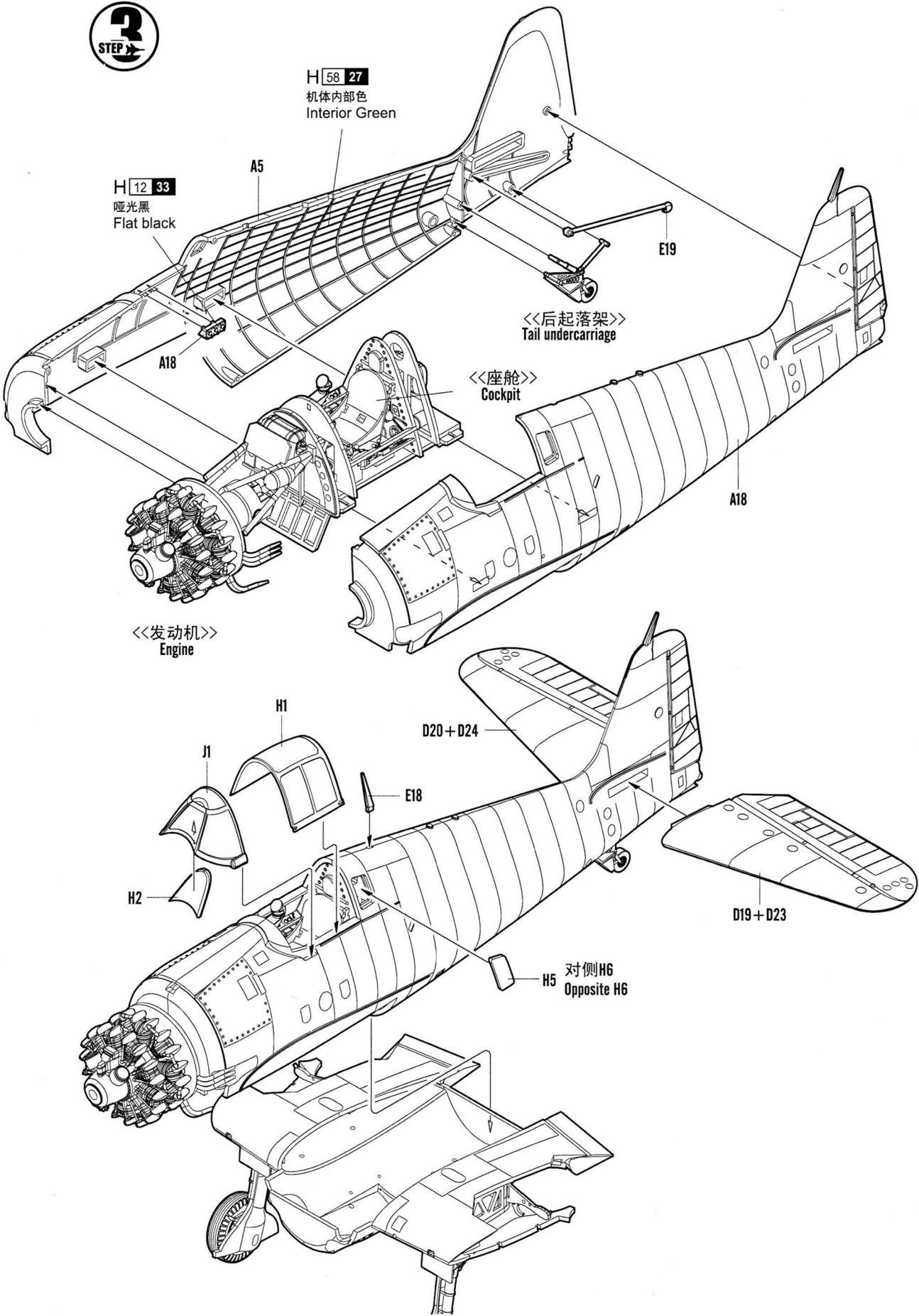
J1

E18

H2

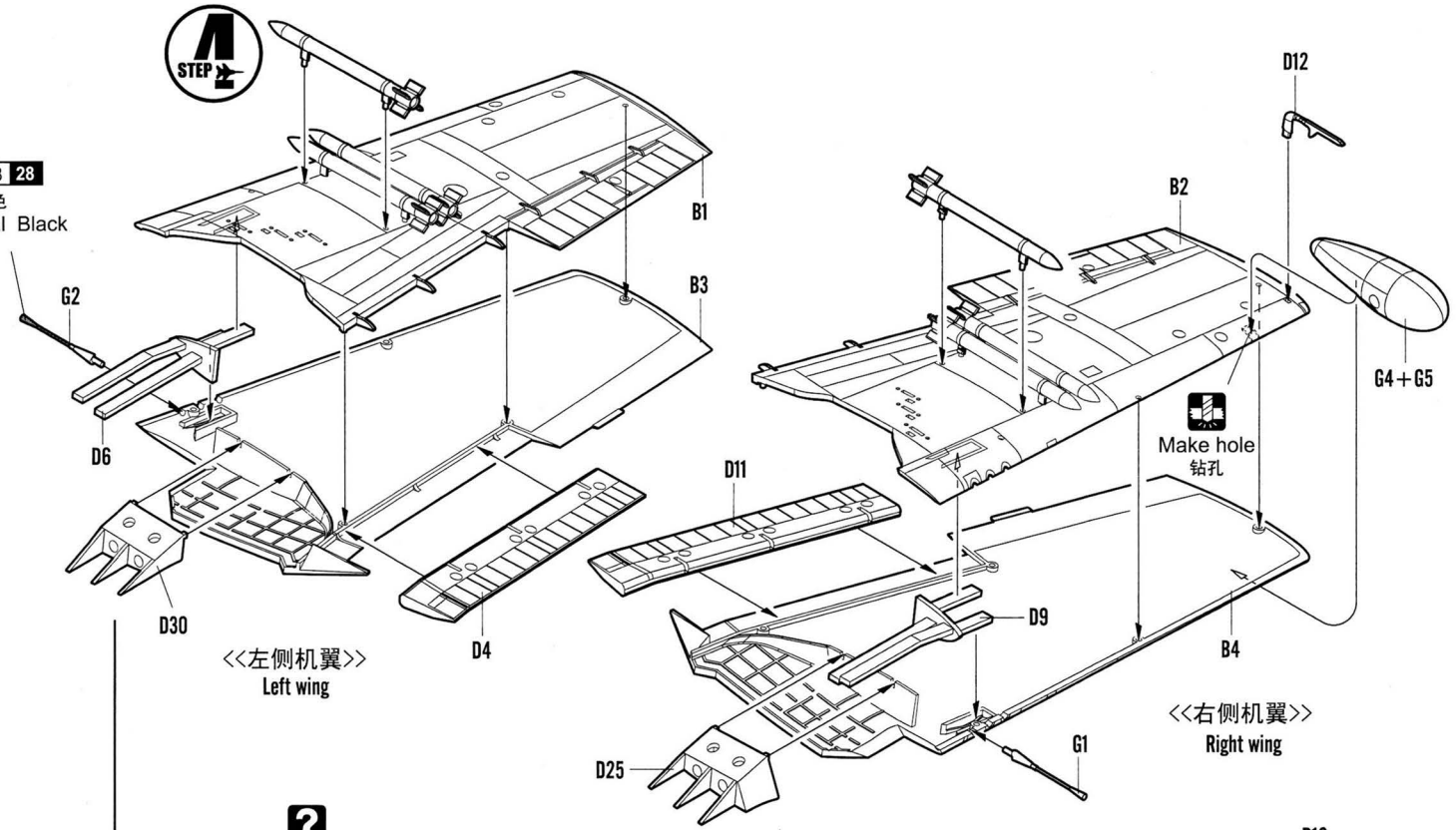
D19 + D23

H5 对侧H6  
Opposite H6

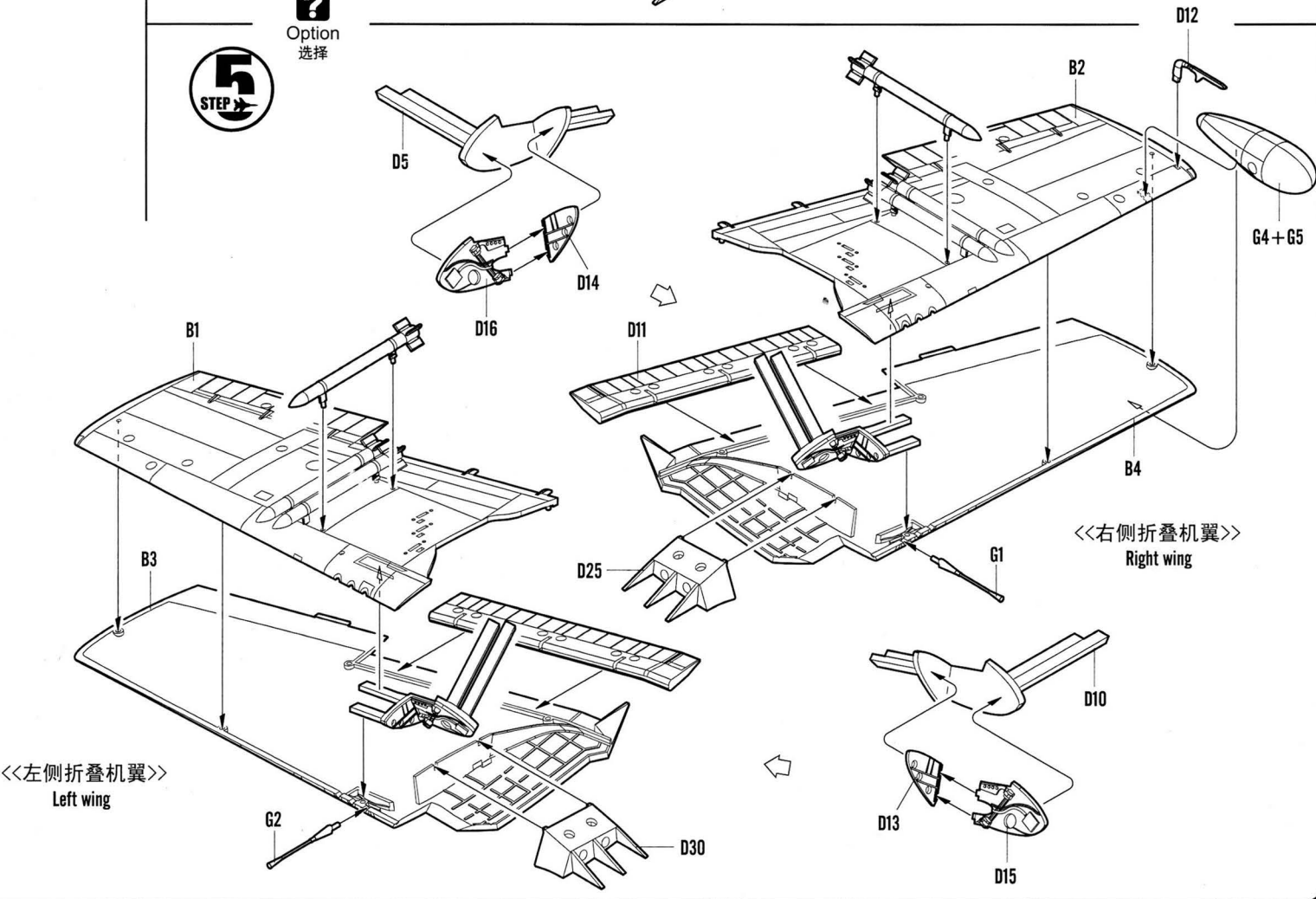




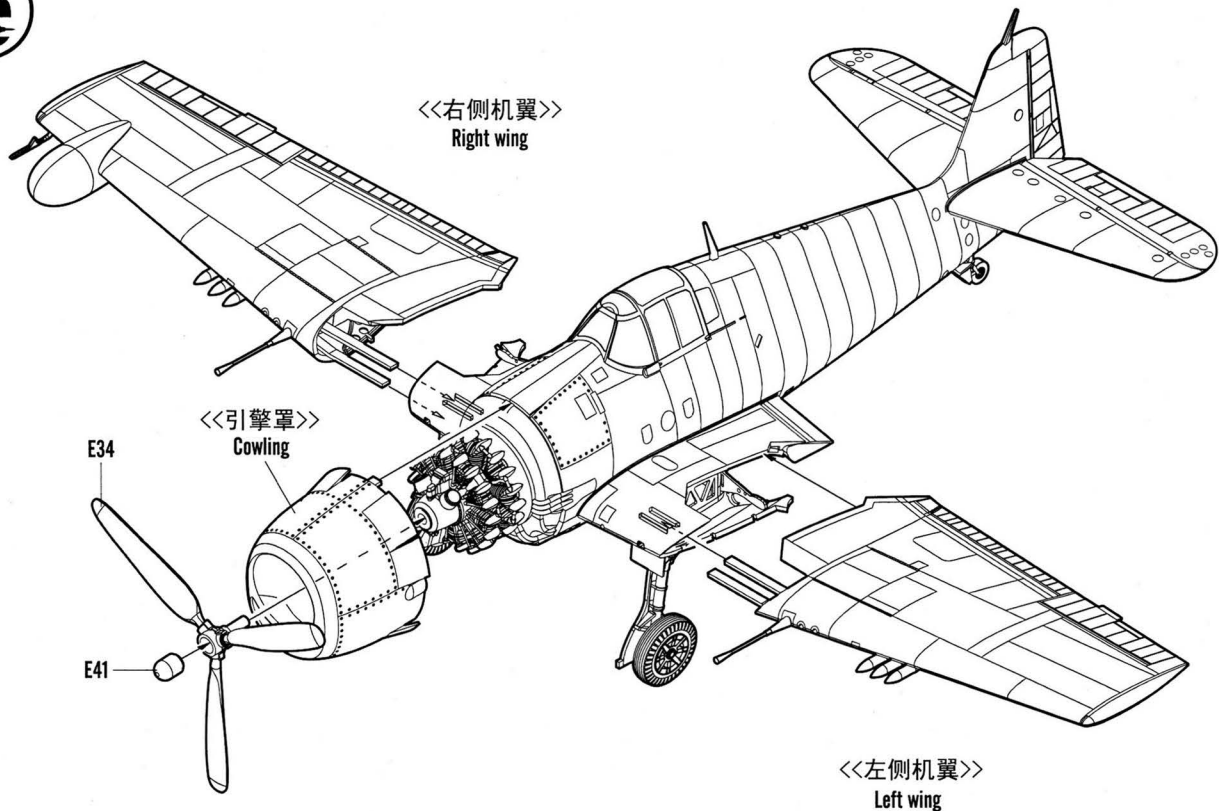
H 18 28  
黑铁色  
Metal Black



?  
Option  
选择



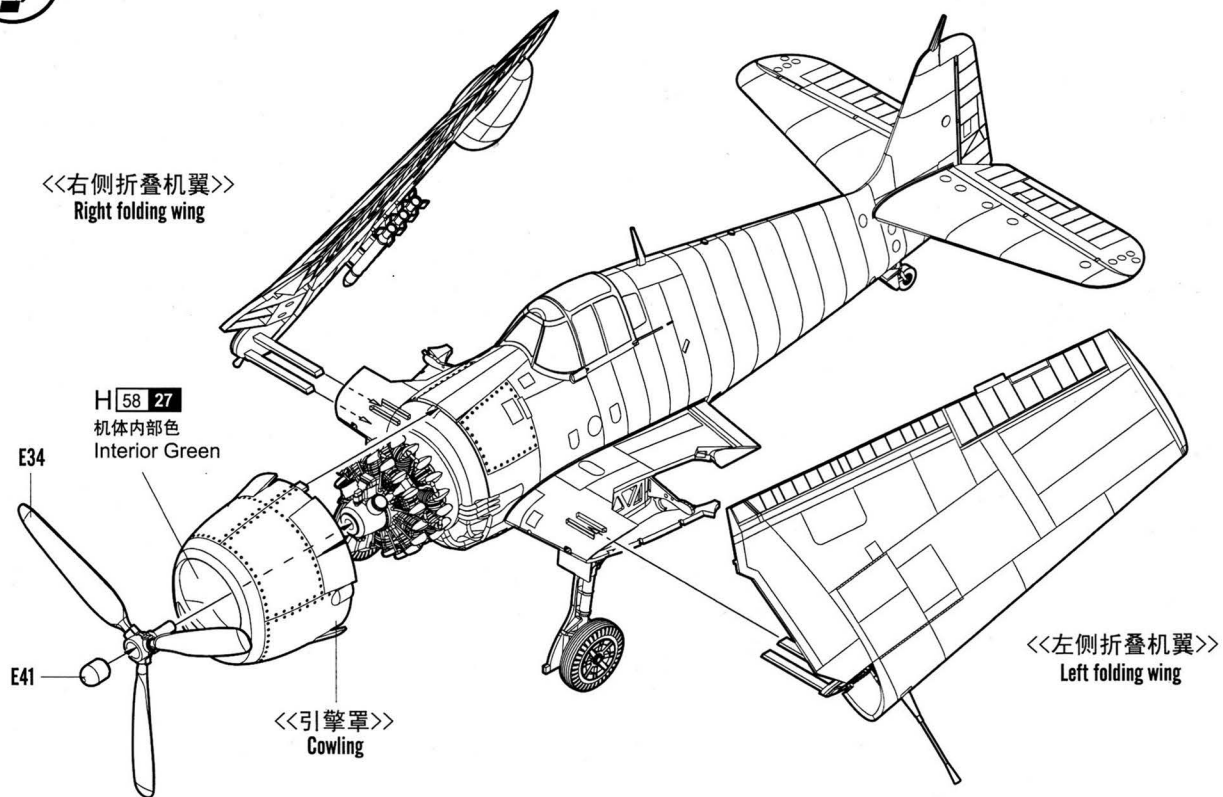
6  
STEP

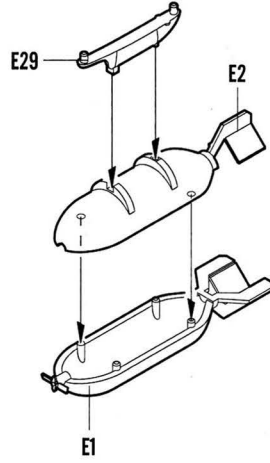
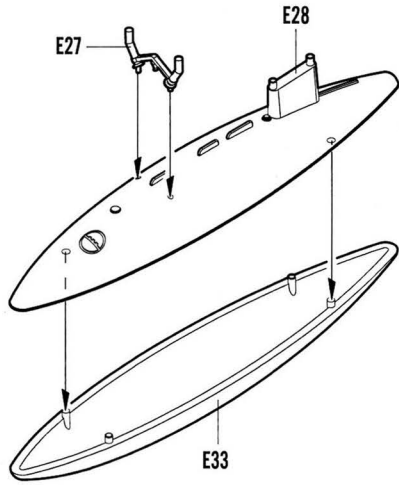


?

Option  
选择

7  
STEP

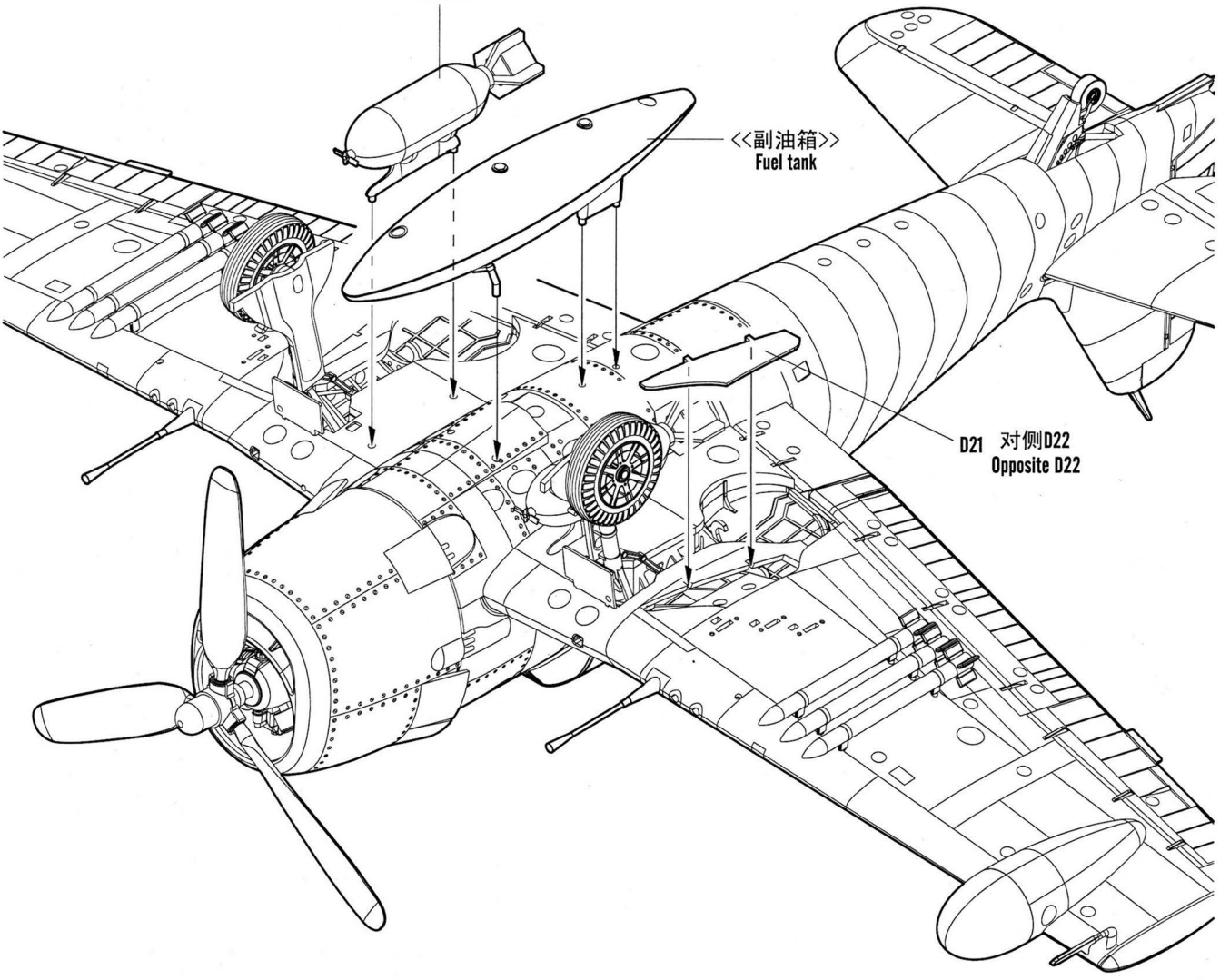




制作2组  
Make two

《副油箱》  
Fuel tank

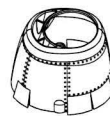
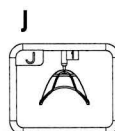
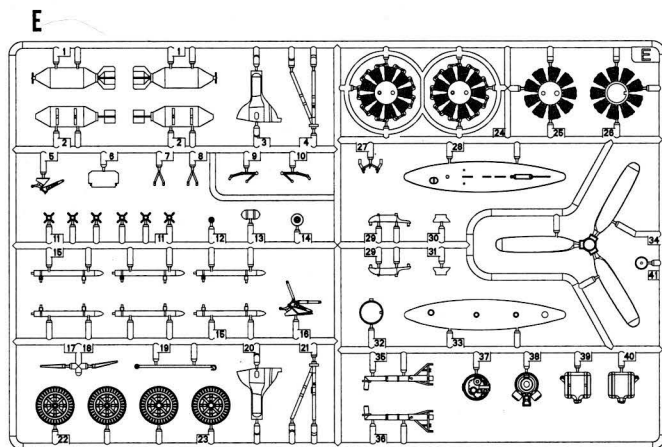
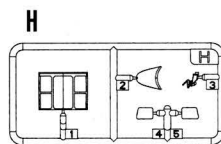
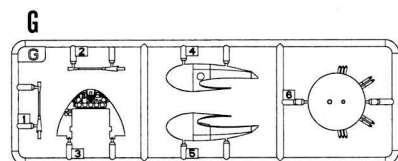
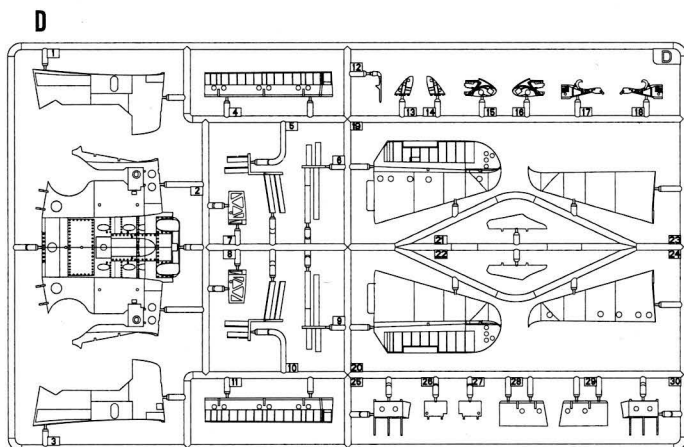
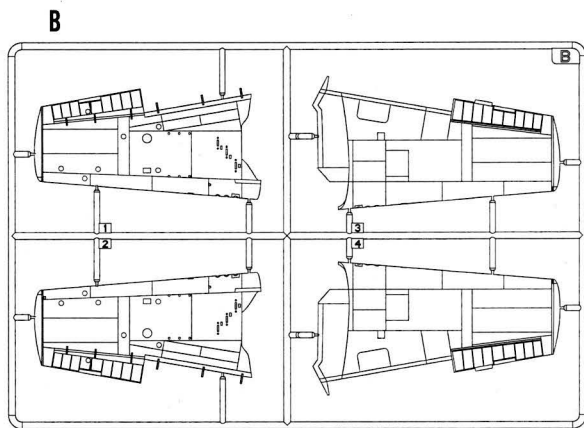
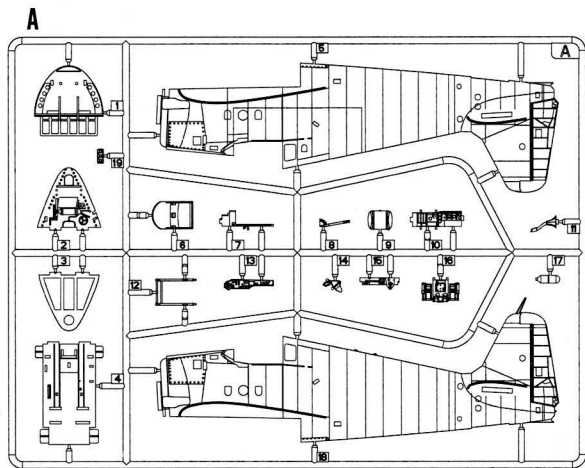
对侧相同  
Both side



《副油箱》  
Fuel tank

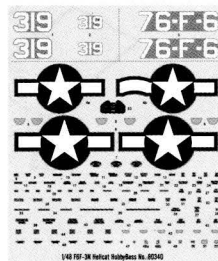
D21 对侧D22  
Opposite D22

部品图  
Parts



引擎罩  
Cowling

水贴  
Decal



不用部件: E17  
Unused parts

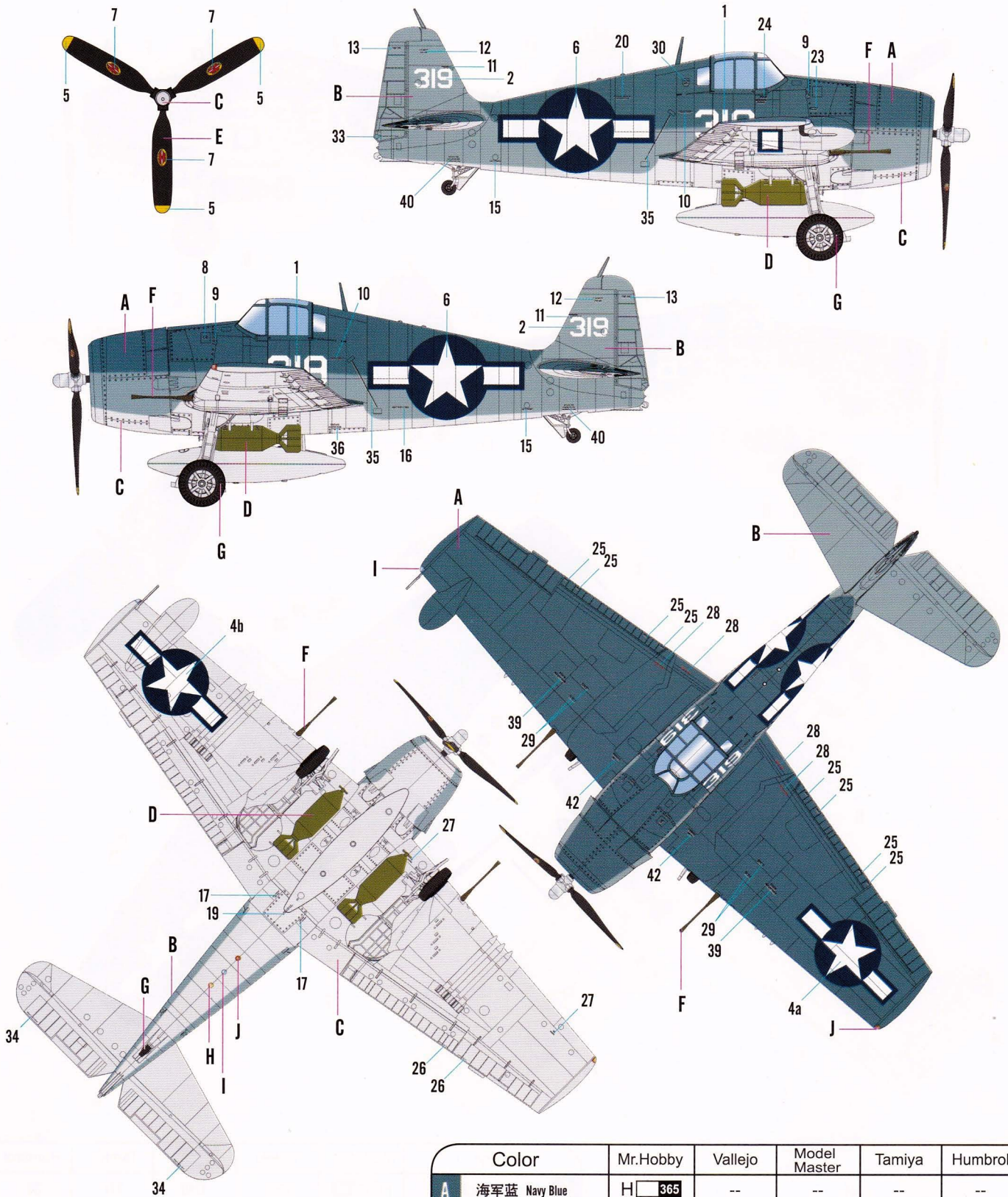


II F6F-3N No.6 VF(N)-76 USS Charger Oct. 1943.



	Color	Mr.Hobby	Vallejo	Model Master	Tamiya	Humbrol
<b>F</b>	消光黑 Flat Black	H   12   33	950	1749	XF1	33
<b>G</b>	胎黑色 Tire Black	H   77   137	--	--	--	--
<b>H</b>	透明黄 Clear Yellow	H   91   48	937	--	X24	--
<b>I</b>	透明蓝 Clear Blue	H   93   50	938	--	X23	--
<b>J</b>	透明红 Clear Red	H   90   47	934	--	X27	--

**I** F6F-3N No.319 USS Solomons Nov. 1944.



	Color	Mr.Hobby	Vallejo	Model Master	Tamiya	Humbrol
A	海军蓝 Navy Blue	H <input type="checkbox"/> 365	--	--	--	--
B	中度蓝 Intermediate Blue	H <input type="checkbox"/> 366	--	--	--	--
C	白色 White	H <input type="checkbox"/> 316 <input type="checkbox"/> 316	991	1745	X2	22
D	橄榄绿 Olive Drab	H <input type="checkbox"/> 78 <input type="checkbox"/> 38	--	--	--	--
E	黑铁色 Metal Black	H <input type="checkbox"/> 18 <input type="checkbox"/> 28	864	1402	--	--