

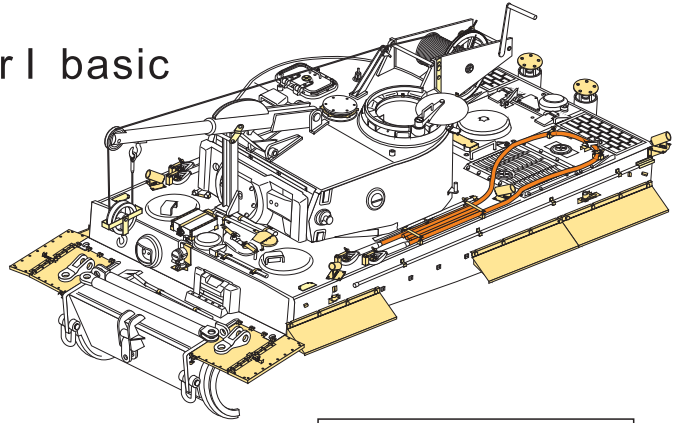
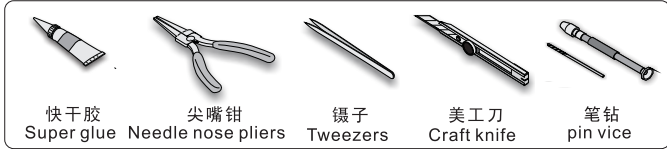
1/35 MILITARY MINIATURE VEHICLE UPGRADE SERIES PE35857

# WWII German Bergepanzer Tiger I basic

## 二战德军虎I型维修坦克改造件

[For DRAGON 6850]

■ 推荐使用工具 RECOMMENDED TOOLS

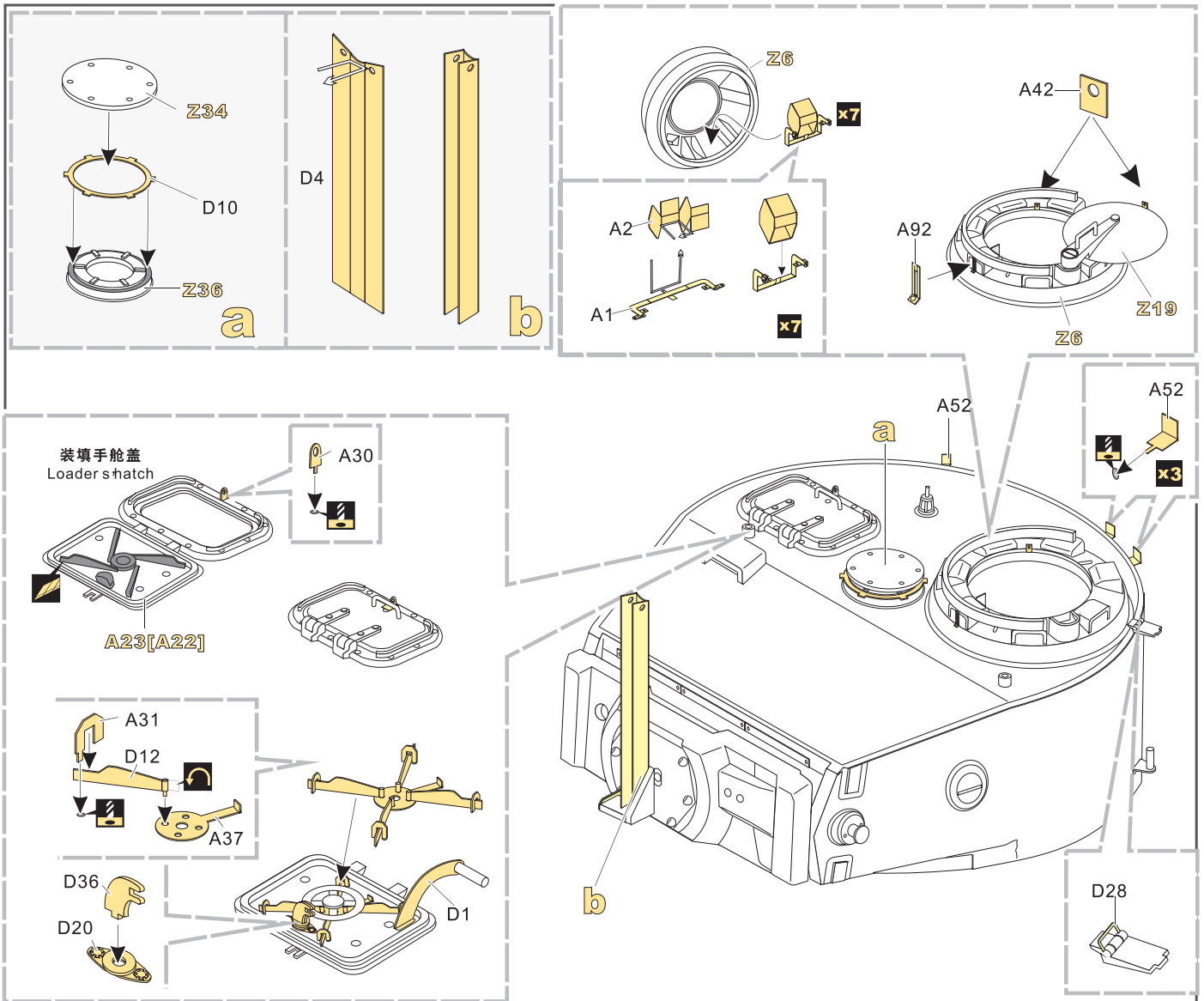


- 安装 install
- 折叠 bend
- A1**  
改造件零件编号  
PE/resin part number
- B12**  
原零件编号  
kit part number
- C22**  
被替换的原零件编号  
replaced kit part number
- 另一侧相同制作  
repeat on opposite side
- 用尖端在凹槽处冲压  
use penpoint to press on the dent
- 切除 remove
- 打磨 grind off
- 弧度卷曲  
radial bending
- x2**  
制作若干组  
multiple assembly
- 选择安装  
alternative
- 钻孔 drill

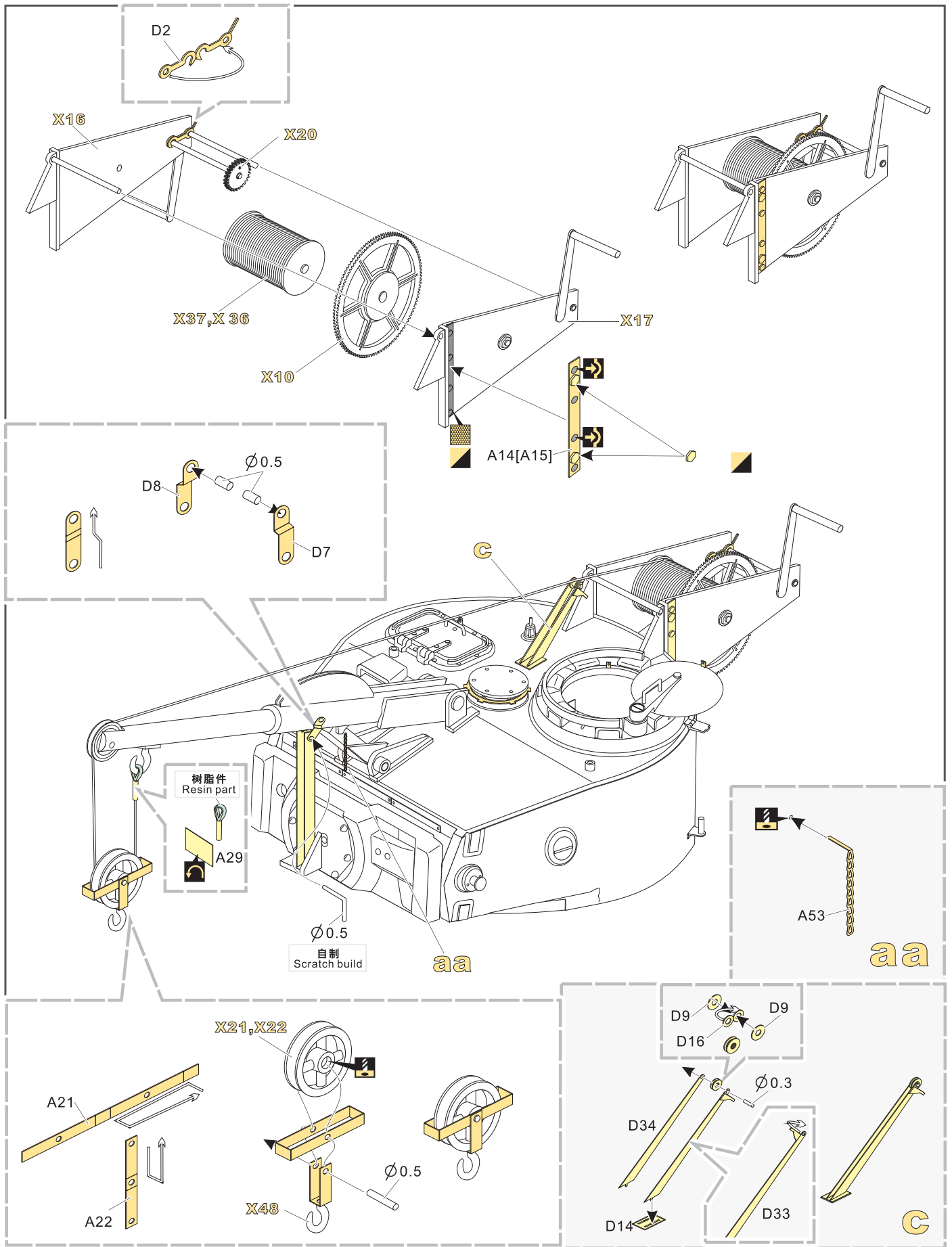
用尖端在凹槽处冲压  
use penpoint to press on the dent

蚀刻片零件内侧面向上  
Put the part upside down

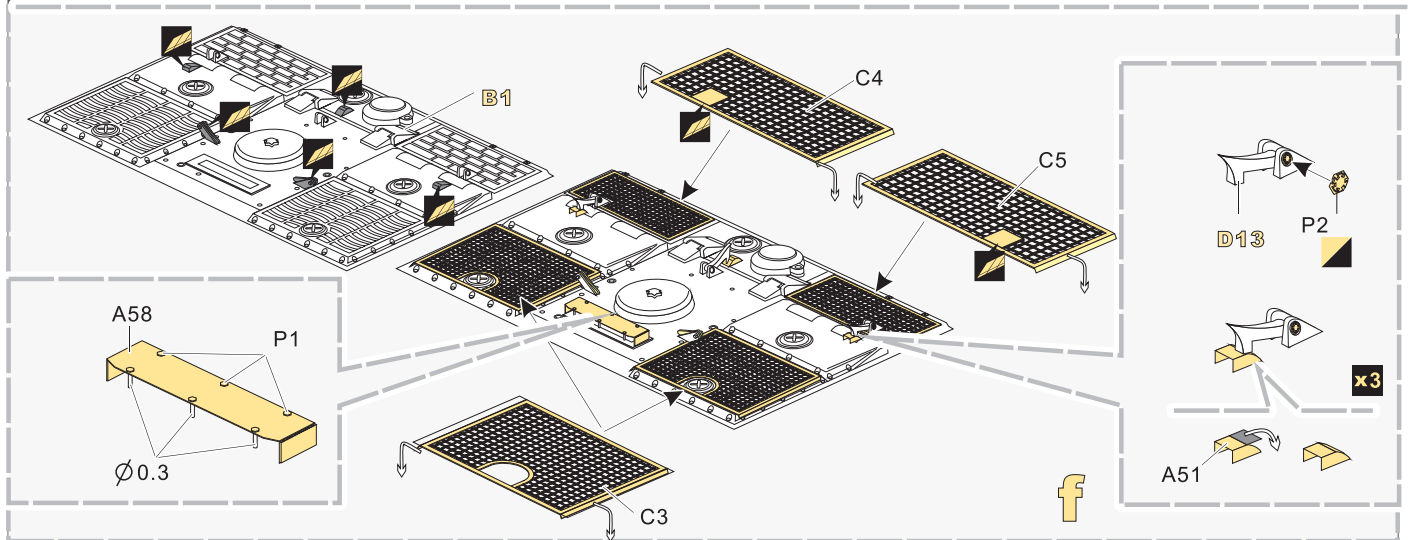
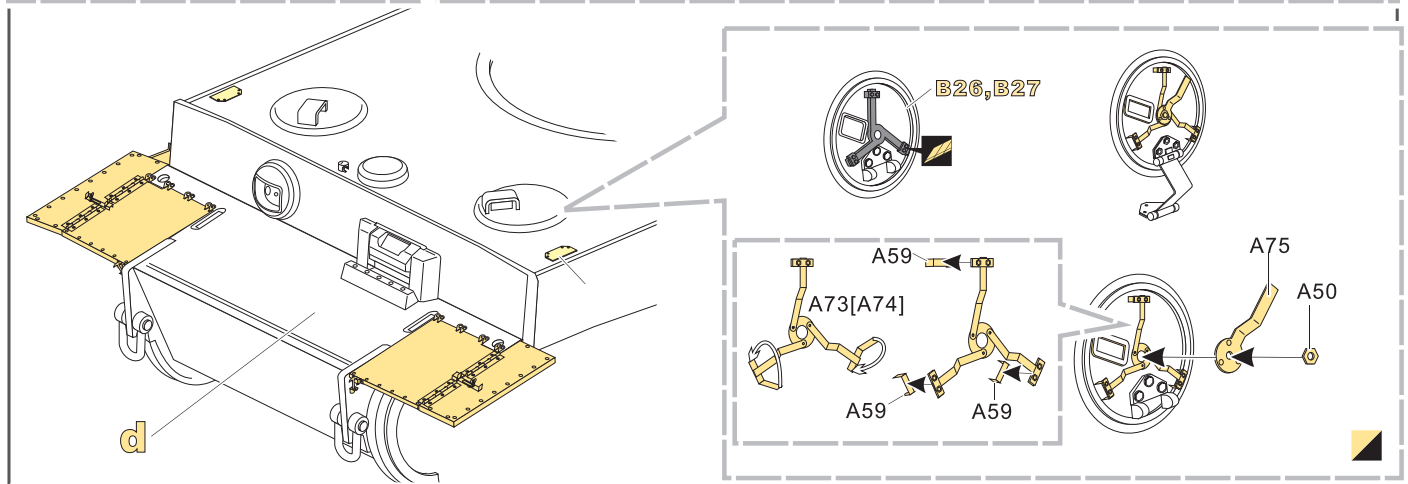
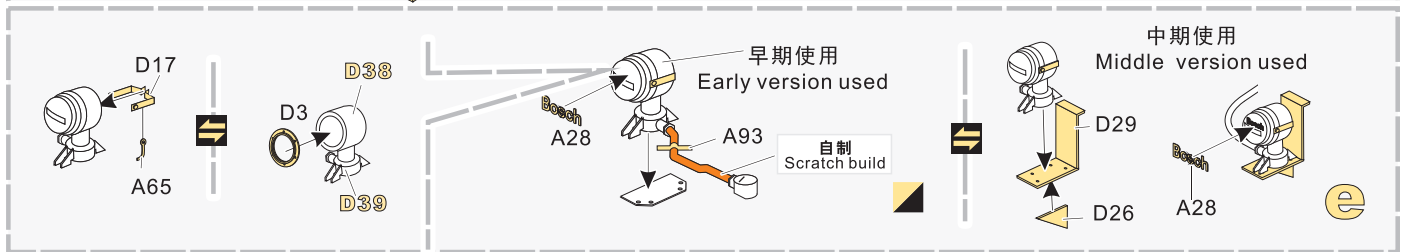
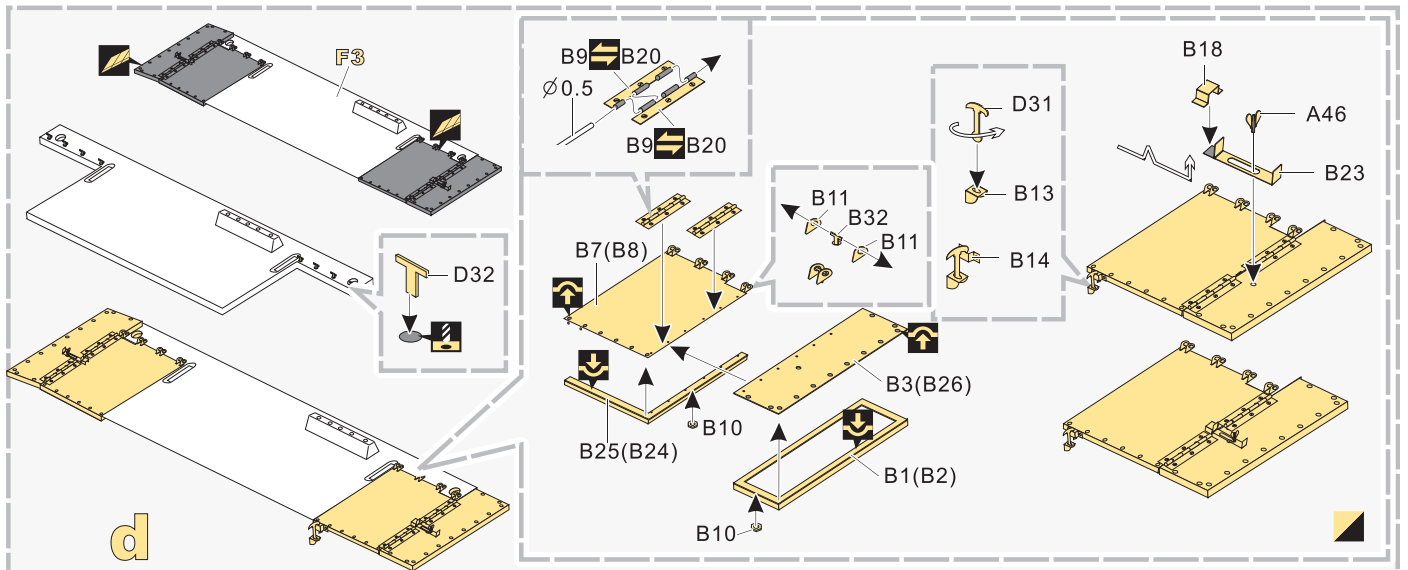
用笔尖在凹槽处刮  
Use penpoint to press on the dent



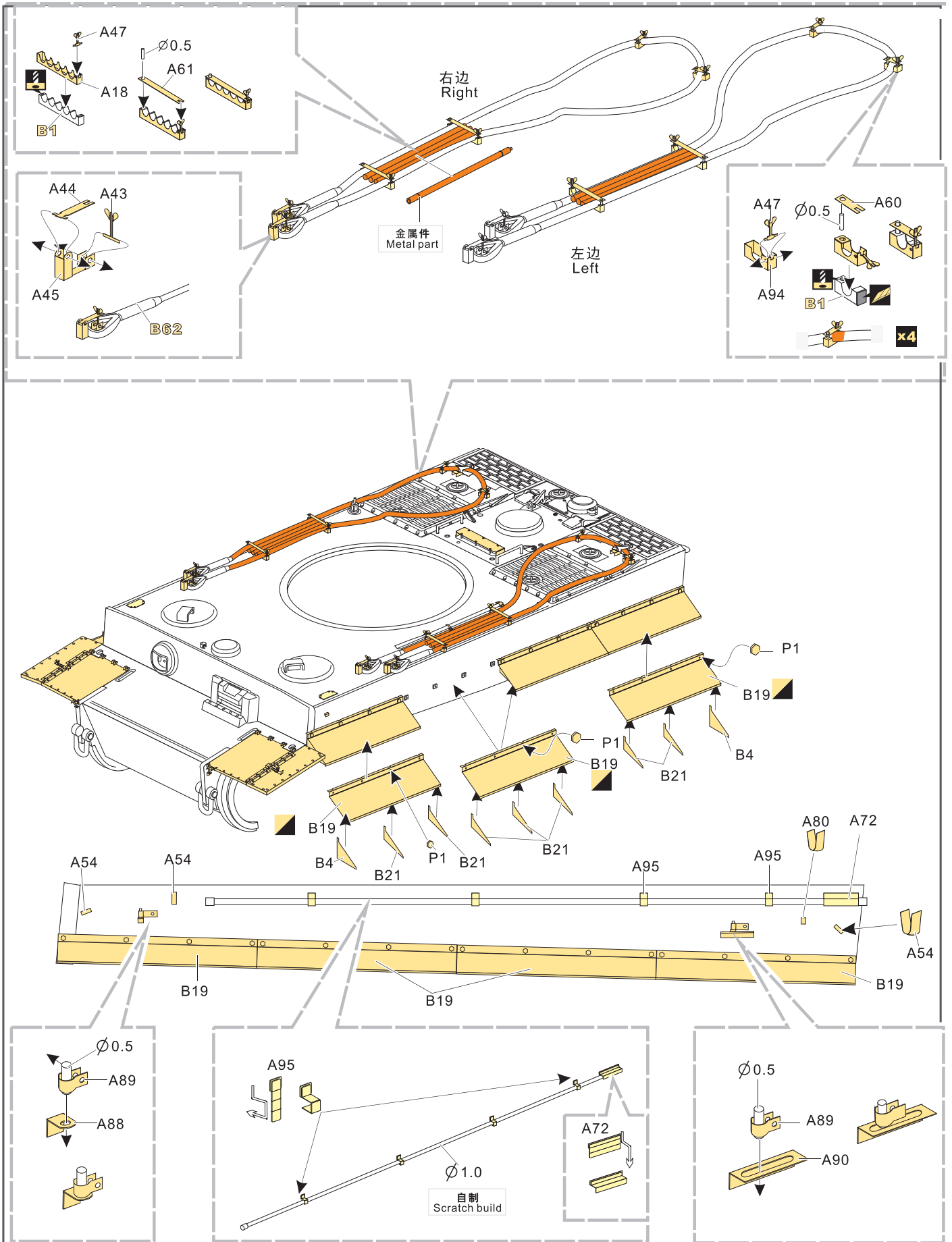
1/35 MILITARY MINIATURE VEHICLE UPGRADE SERIES PE35857



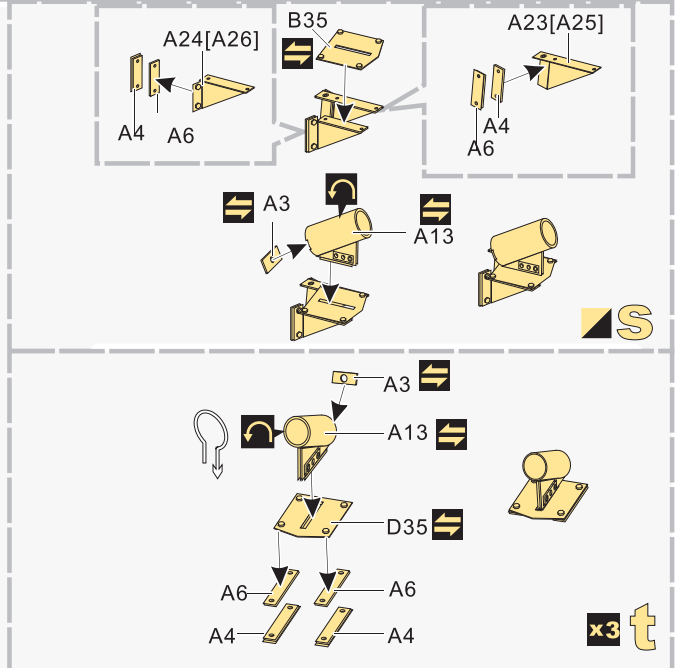
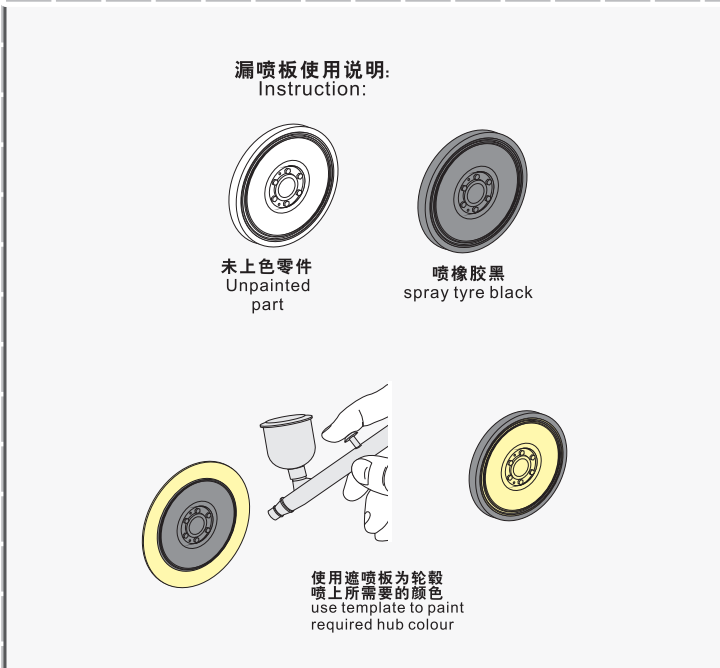
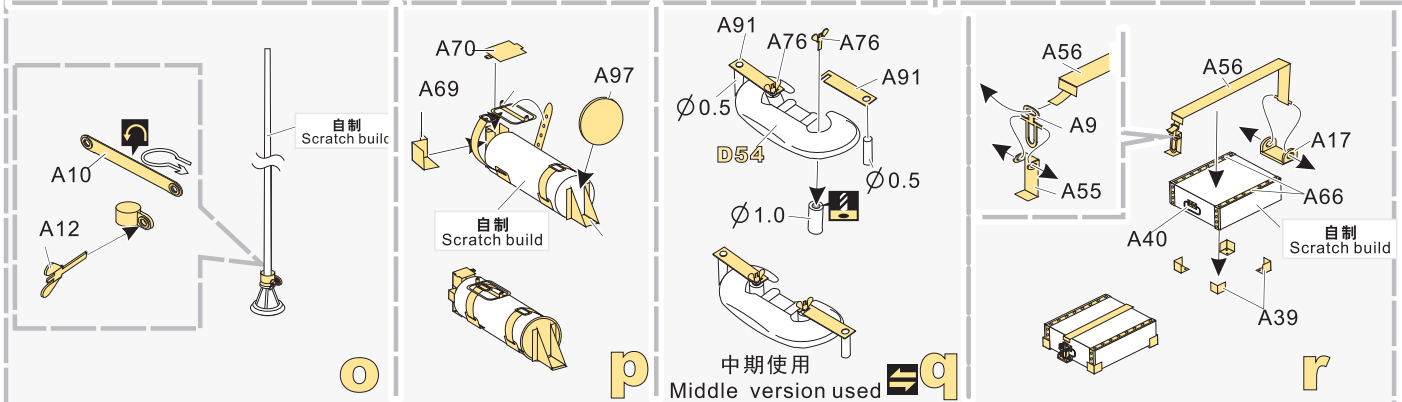
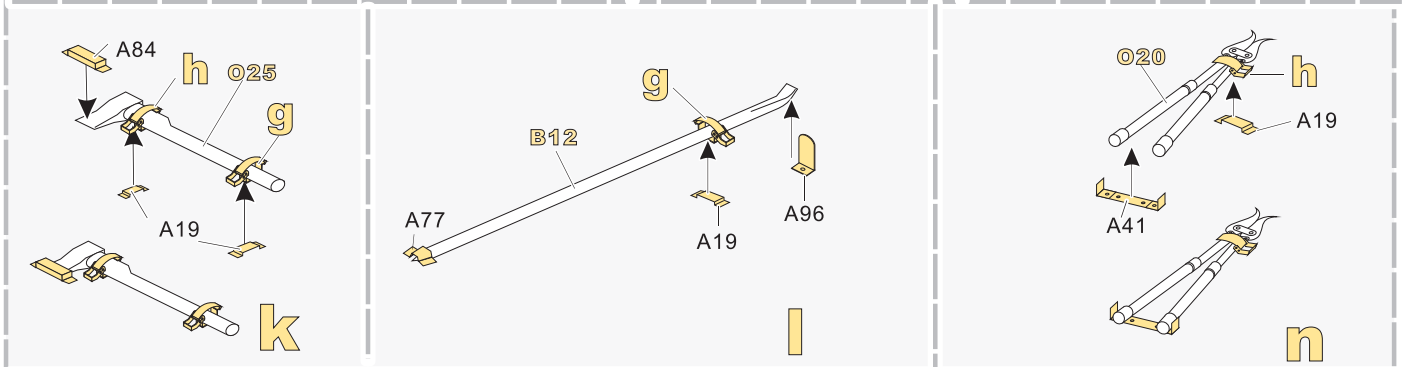
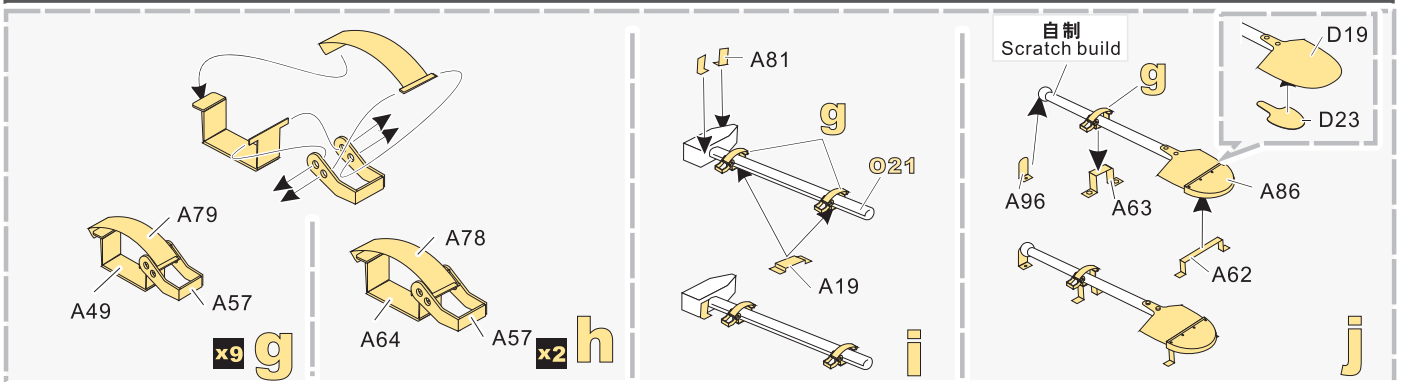
1/35 MILITARY MINIATURE VEHICLE UPGRADE SERIES PE35857



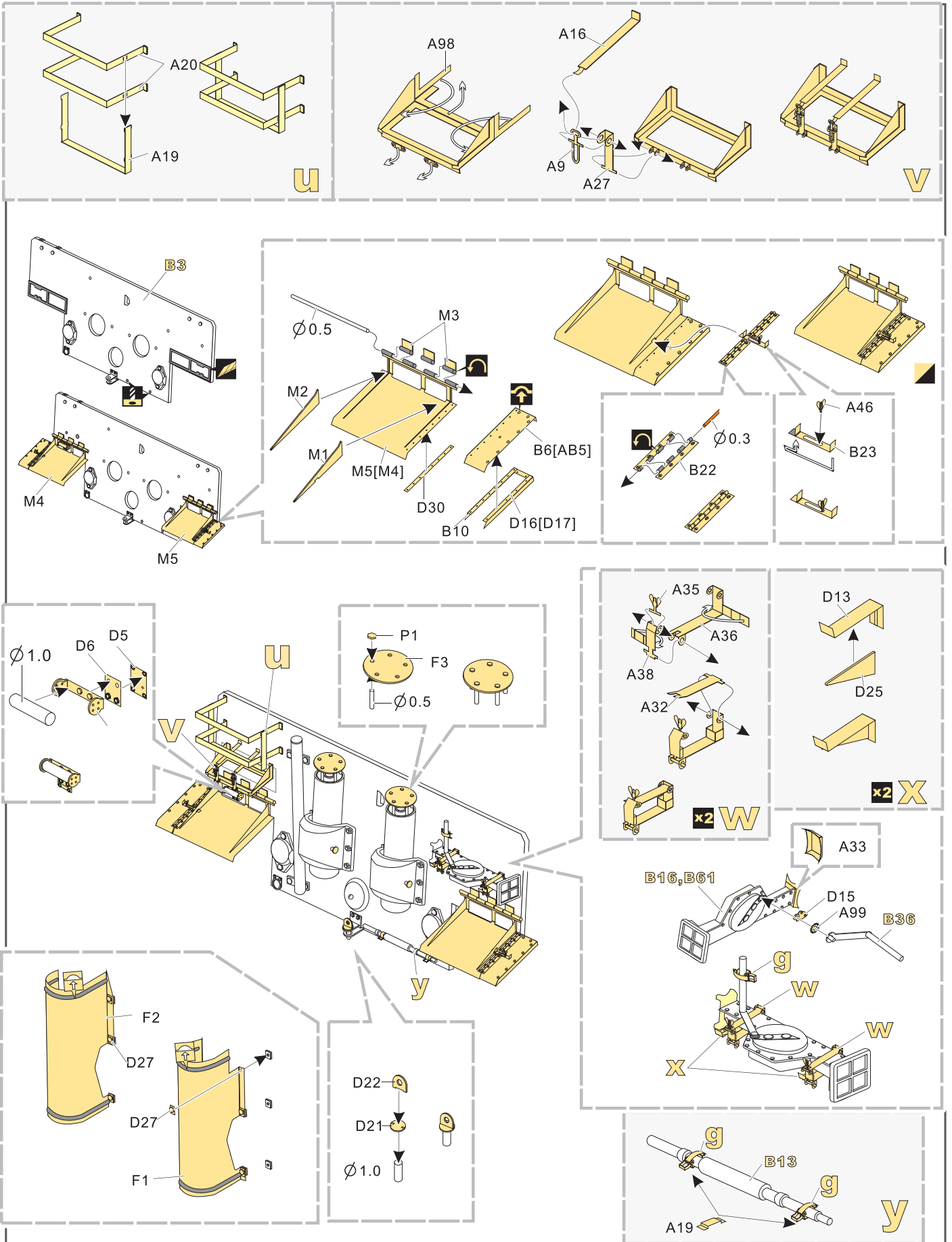
1/35 MILITARY MINIATURE VEHICLE UPGRADE SERIES PE35857



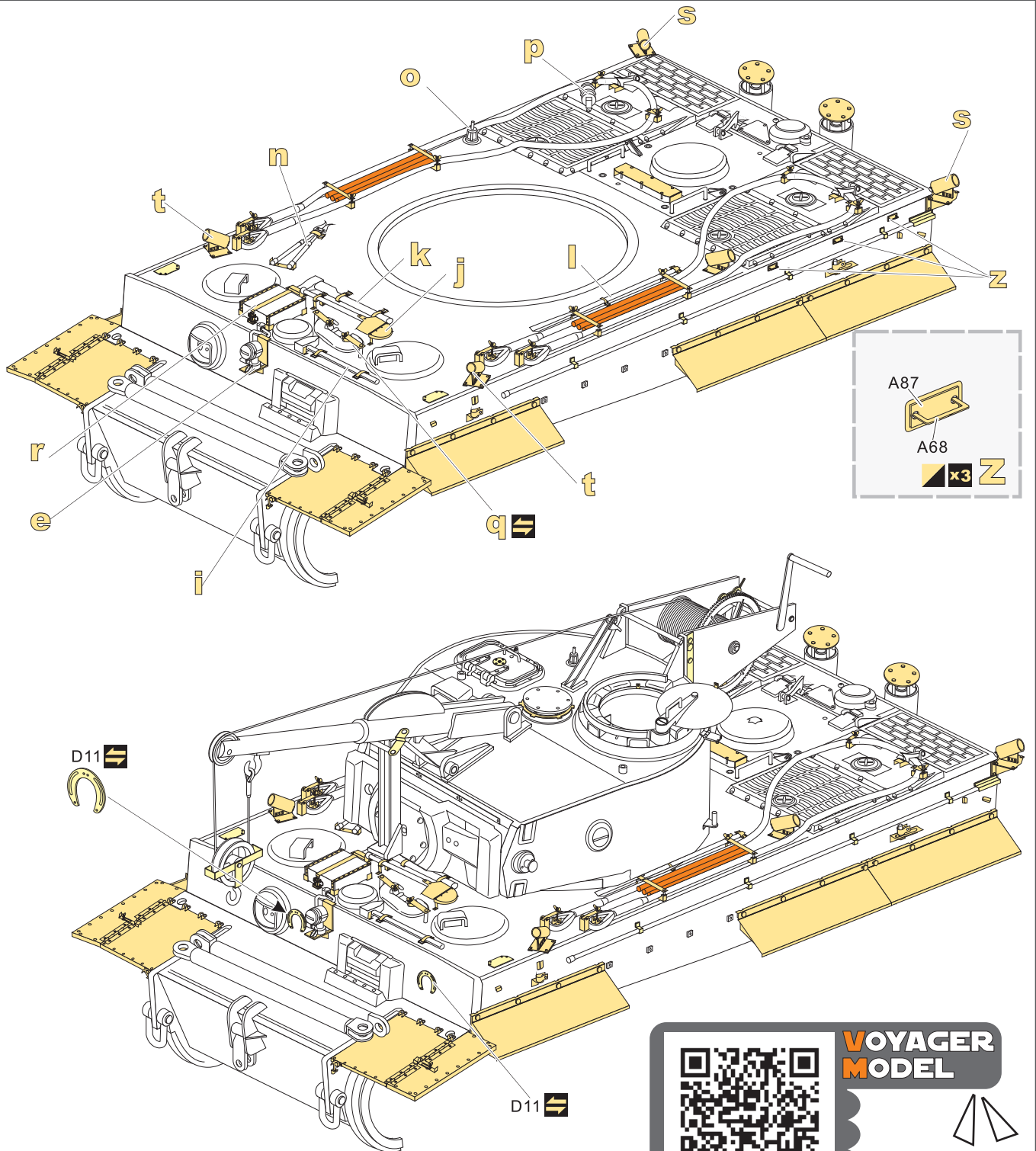
1/35 MILITARY MINIATURE VEHICLE UPGRADE SERIES PE35857



1/35 MILITARY MINIATURE VEHICLE UPGRADE SERIES PE35857



1/35 MILITARY MINIATURE VEHICLE UPGRADE SERIES PE35857



**VOYAGERMODEL®** 无微不至 精益求精

Recommended item

PE 35057	WWII German Panzerkampfwagen VI (P)
PE 35059	WWII German Bergepanzer Tiger(P)
PE 35136	WWII German STURMTIGER
PE 35178	WWII German STURMTIGER
PE 35377	WWII German Tiger I MID Production
PE 35542	WWII German Tiger I Early Production
PE 35613	WWII German Tiger I Early Production (smoke discharger include)
PE 35799	WWII German Tiger I Initial Production Afrika korp
PE 35762	WWII German Tiger I Initial Production Afrika korp
PE 35777	WWII German Tiger I MID Production
PE 35795	WWII German Tiger I Late Production
PE 35799	WWII German Tiger I Initial Production Afrika korp



**VOYAGER  
MODEL**



更多PE35857样品照片参考请扫一扫  
MORE PICTUER OF PE 35857  
REFERENCE SCAN HERE