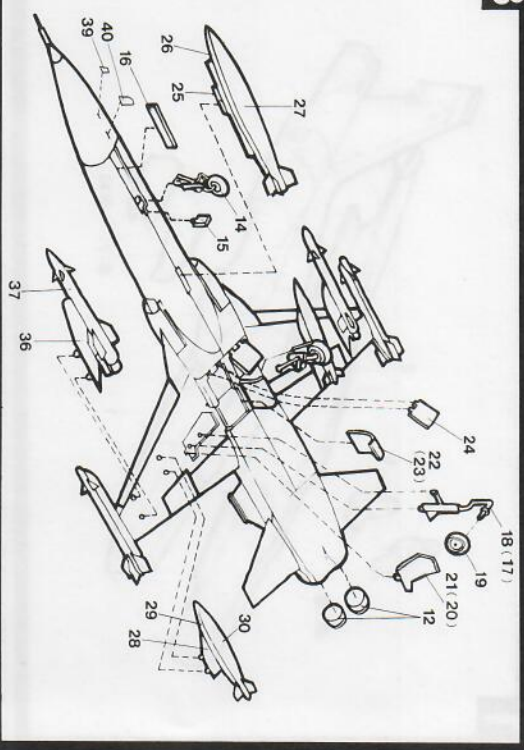
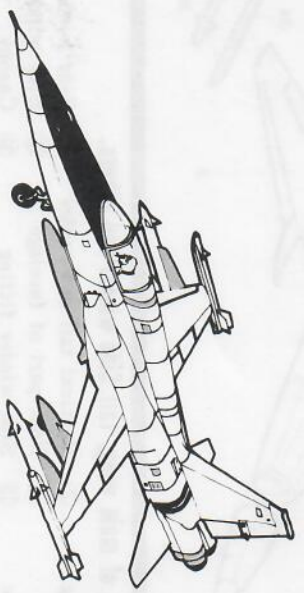


3 Fixing of main wheels, nose wheel and other parts.



- Jet exhaust nozzle ①
- Nose wheel ②
- Nose wheel cover (small) ③
- Nose wheel cover (large) ④
- Nose wheel strut (right) ⑤
- Main wheel strut (left) ⑥
- Main wheel ⑦
- Main wheel cover (right) ⑧
- Main wheel cover (left) ⑨
- Main wheel cover (right) ⑩
- Main wheel cover (left) ⑪
- Main wheel cover (right) ⑫
- Main wheel cover (left) ⑬
- Main wheel cover (right) ⑭
- Main wheel cover (left) ⑮
- Main wheel cover (right) ⑯
- Main wheel cover (left) ⑰
- Main wheel cover (right) ⑱
- Main wheel cover (left) ⑲
- Main wheel cover (right) ⑳
- Main wheel cover (left) ㉑
- Main wheel cover (right) ㉒
- Main wheel cover (left) ㉓
- Main wheel cover (right) ㉔
- Main wheel cover (left) ㉕
- Main wheel cover (right) ㉖
- Main wheel cover (left) ㉗
- Main wheel cover (right) ㉘
- Main wheel cover (left) ㉙
- Main wheel cover (right) ㉚
- Main wheel cover (left) ㉛
- Main wheel cover (right) ㉜
- Main wheel cover (left) ㉝
- Main wheel cover (right) ㉞
- Main wheel cover (left) ㉟
- Main wheel cover (right) ㊱
- Main wheel cover (left) ㊲
- Main wheel cover (right) ㊳
- Main wheel cover (left) ㊴
- Main wheel cover (right) ㊵
- Main wheel cover (left) ㊶
- Main wheel cover (right) ㊷
- Main wheel cover (left) ㊸
- Main wheel cover (right) ㊹
- Main wheel cover (left) ㊺
- Main wheel cover (right) ㊻
- Main wheel cover (left) ㊼
- Main wheel cover (right) ㊽
- Main wheel cover (left) ㊾
- Main wheel cover (right) ㊿

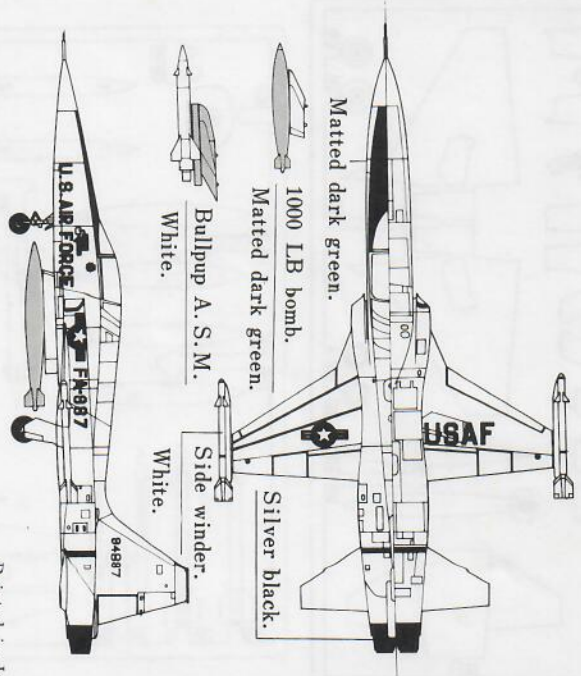
Completed model.



1/72 SCALE NORTHROP F-5A FREEDOM FIGHTER



Reference drawing for painting and decoration.

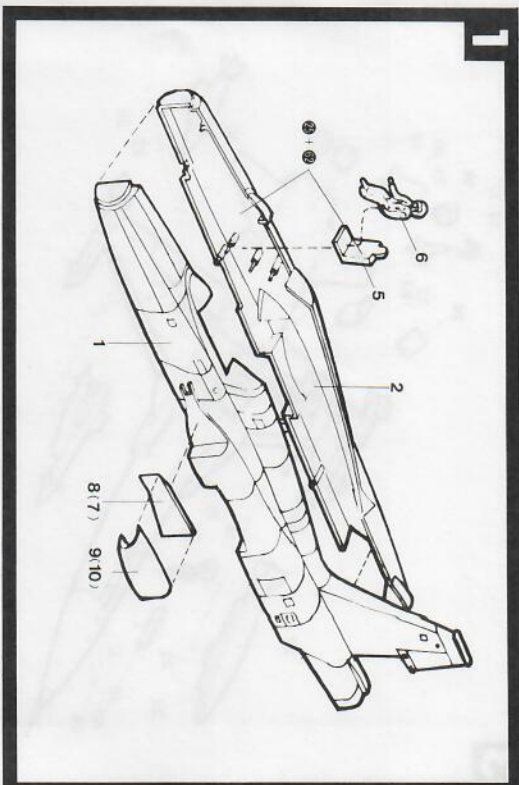
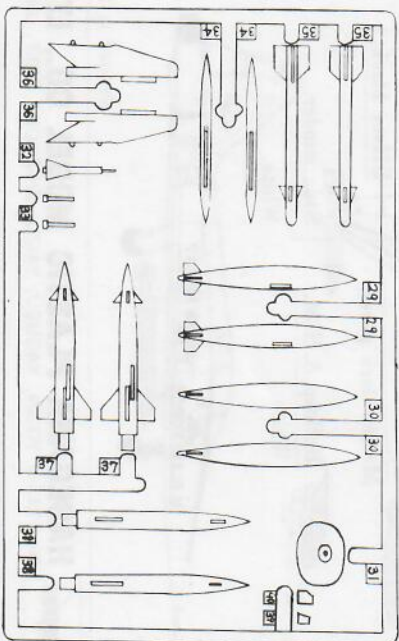
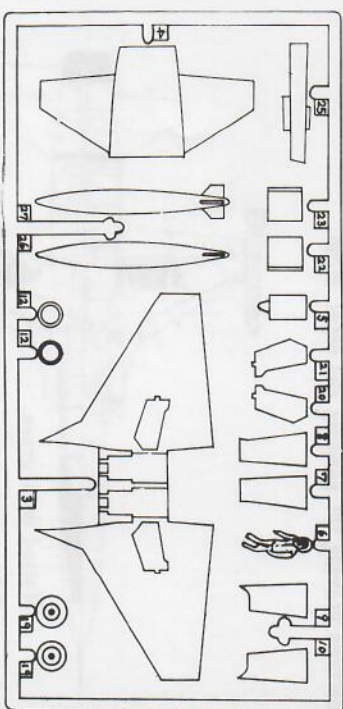
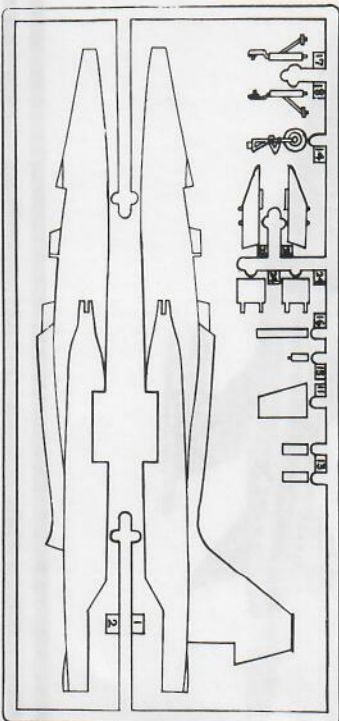


HASEGAWA PLASTIC MODEL CO., LTD.
 No.1193-2 YOJIN, YAGUSU, YAZU, SHIZUOKA PREF., JAPAN

Printed in Japan.

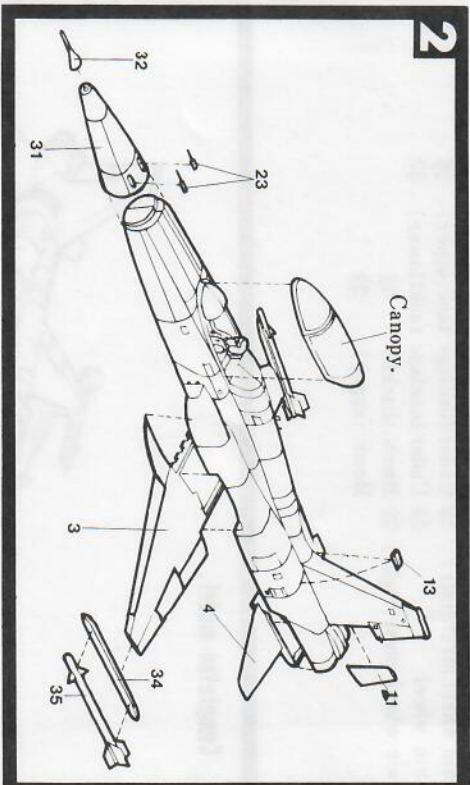
PART DRAWINGS AND PART NUMBERS (Before Assembling Your Kit)

Read these instructions carefully before assembling your model and check the exact fit of the parts before cementing. Clean off excess plastic, if any, with a sharp knife or a file. Since many tiny parts are included, check them with the assembly drawing before assembling. Do not tear off parts from the stem, but cut them off carefully with nippers or tin snips. Do not cut off all of the parts at the beginning, but cut each part to be assembled one by one to assure each part being properly identified. Do not use too much adhesive because surplus adhesive will spoil the appearance.



1 Assembling of fuselage, cockpit, pilot and air intake.

- 1 Fuselage (left)
- 2 Fuselage (right)
- 3 Separator (left)
- 4 Separator (right)
- 5 Air intake (left)
- 6 Air intake (right)
- 7 Pilot
- 8
- 9
- 10



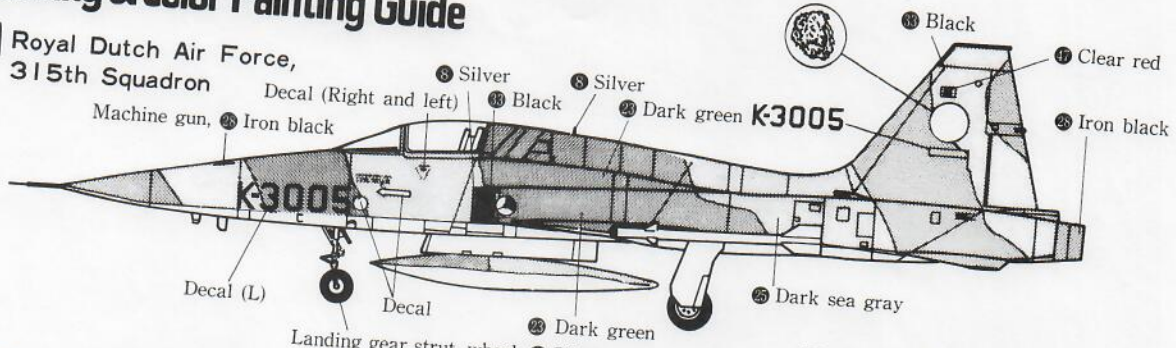
2 Fixing of main wing, tail, Side winder and others.

- 11 Main wing
- 12 Tail
- 13 Air intake
- 14 Pitot tube
- 15 Machine guns
- 16 Vertical tail and rudder
- 17 Nose part of fuselage
- 18 Side winder fitting
- 19 Side winder fitting
- 20 Side winder
- 21 Side winder
- 22 Canopy
- 23
- 24
- 25
- 26
- 27
- 28
- 29
- 30
- 31
- 32
- 33
- 34
- 35

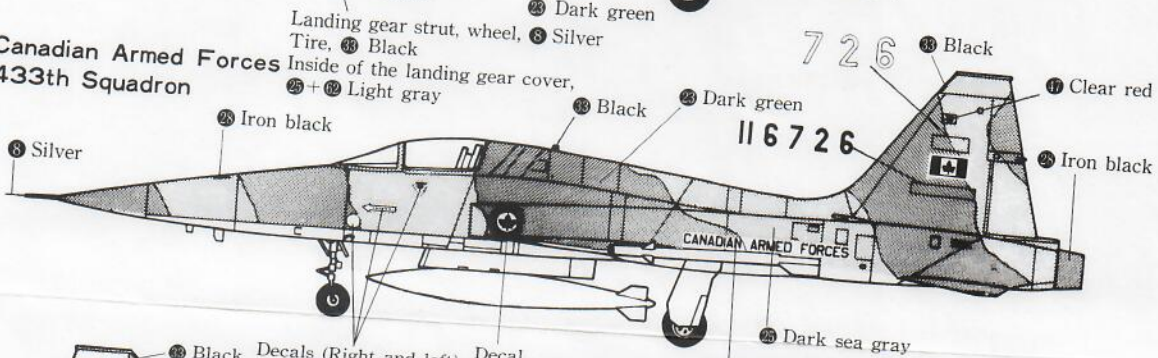
NORTHROP FREEDOM FIGHTER

Marking & Color Painting Guide

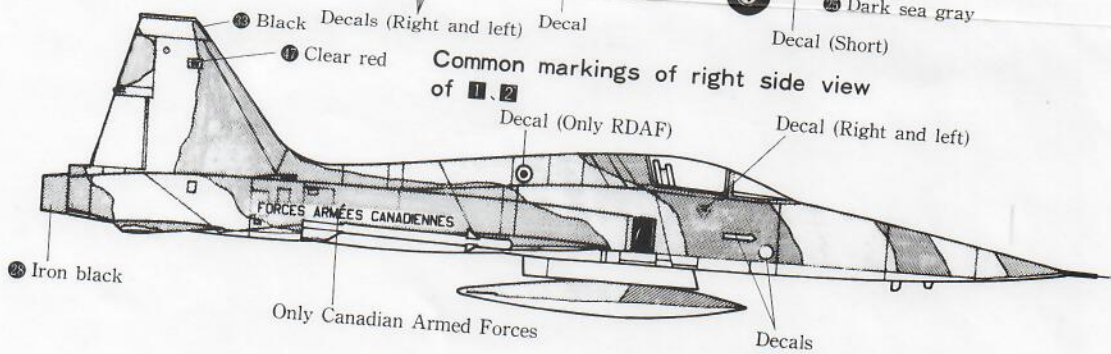
1 Royal Dutch Air Force, 315th Squadron



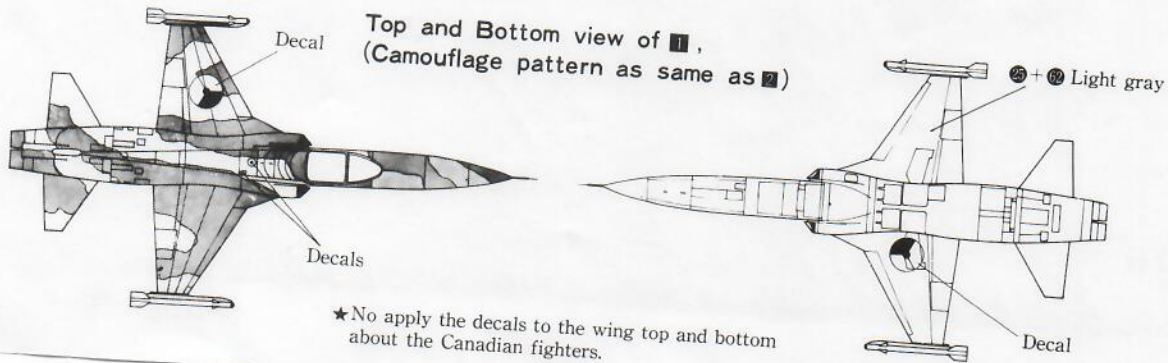
2 Canadian Armed Forces 433th Squadron



Common markings of right side view of 1, 2



Top and Bottom view of 1, (Camouflage pattern as same as 2)



★ No apply the decals to the wing top and bottom about the Canadian fighters.