

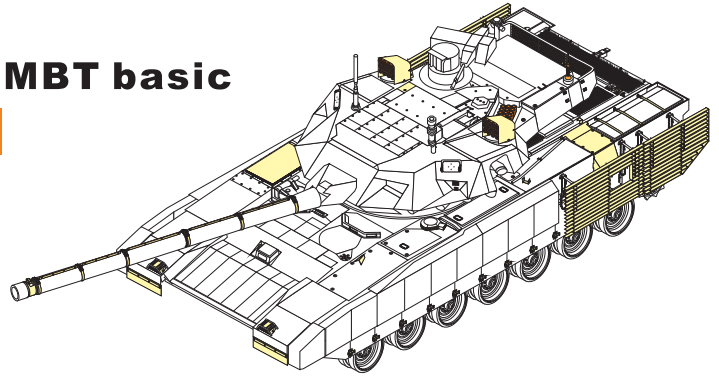
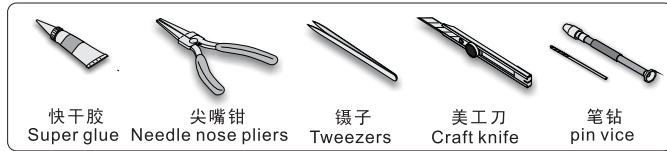
1/35 MILITARY MINIATURE VEHICLE UPGRADE SERIES PE35854

# Modern Russian T-14 Armata MBT basic

## 现代俄罗斯T-14型主战坦克改造基本件

[For PANDA Ph35016]

■ 推荐使用工具 RECOMMENDED TOOLS



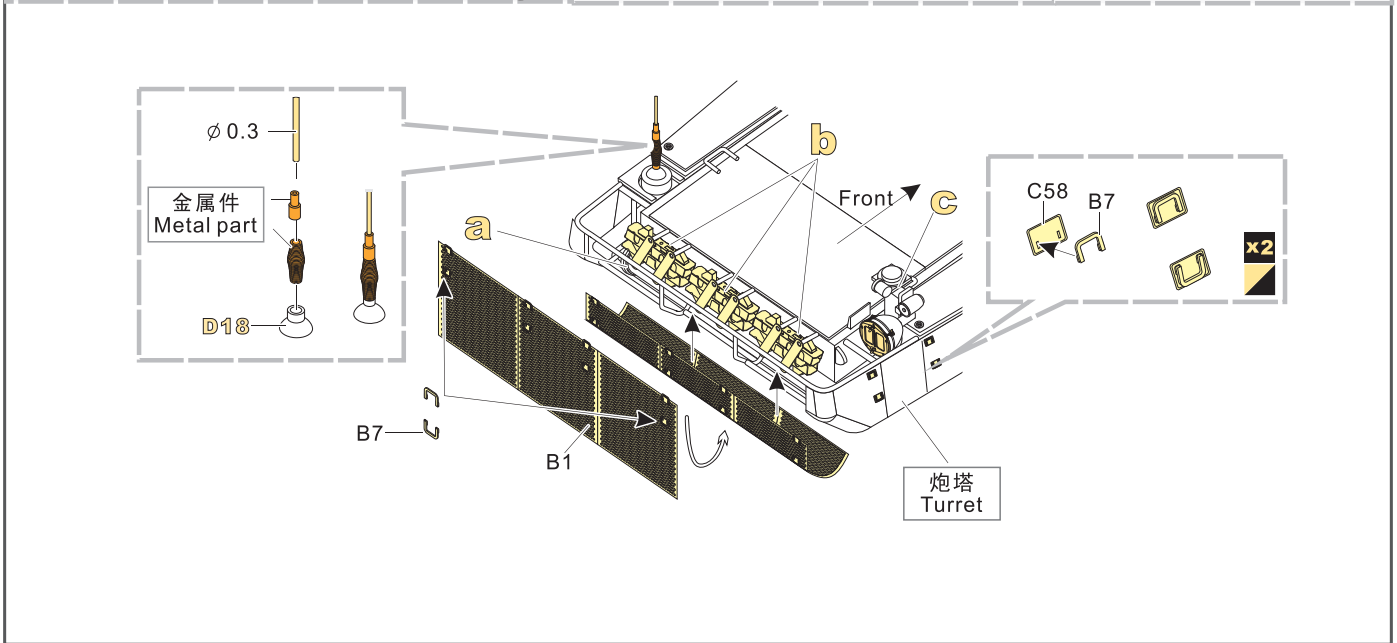
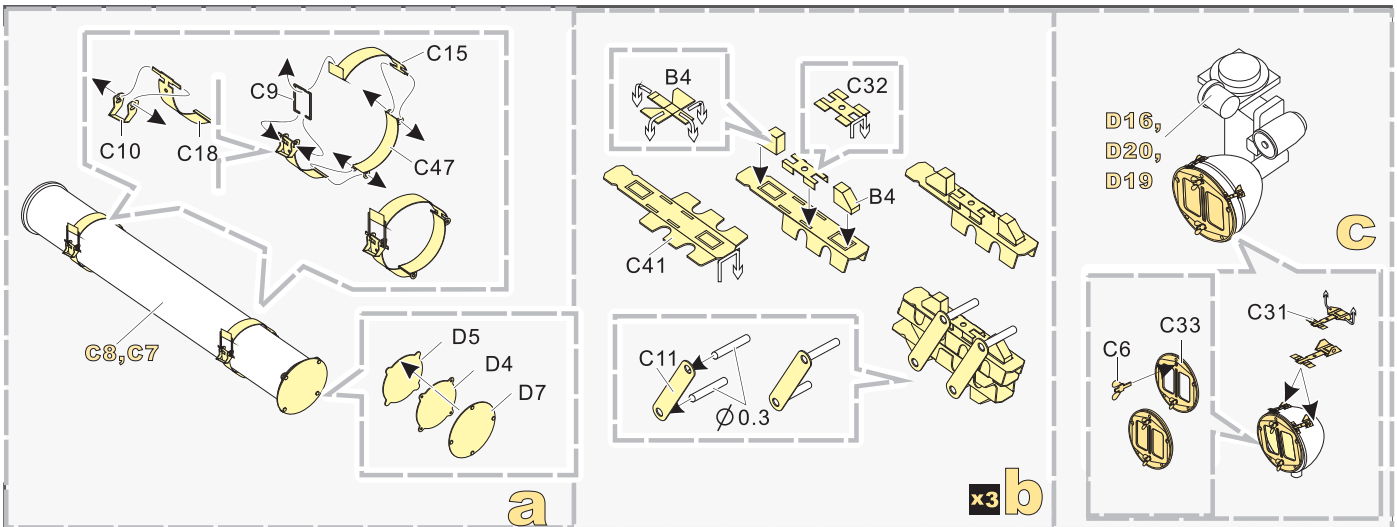
- ↑  
安装  
install
- ↩  
折叠  
bend
- A1**  
改造件零件编号  
PE/resin part number
- B12**  
原零件编号  
kit part number
- C22**  
被替换的原零件编号  
replaced kit part number
- ✂  
切除  
remove
- ↻  
弧度卷曲  
radial bending
- x2**  
制作若干组  
multiple assembly
- ↔  
另一侧相同制作  
repeat on opposite side
- ⇄  
选择安装  
alternative
- ⚙  
钻孔  
drill
- ⚠  
注意  
caution

用尖端在凹槽处冲压  
use penpoint to press on the dent

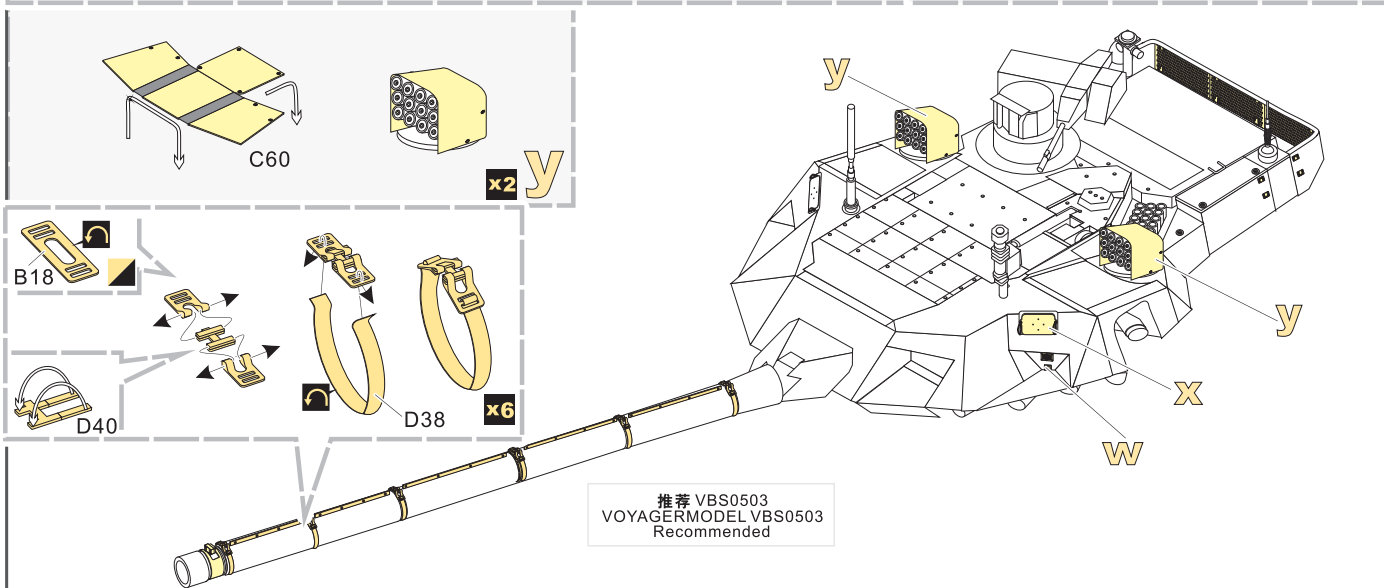
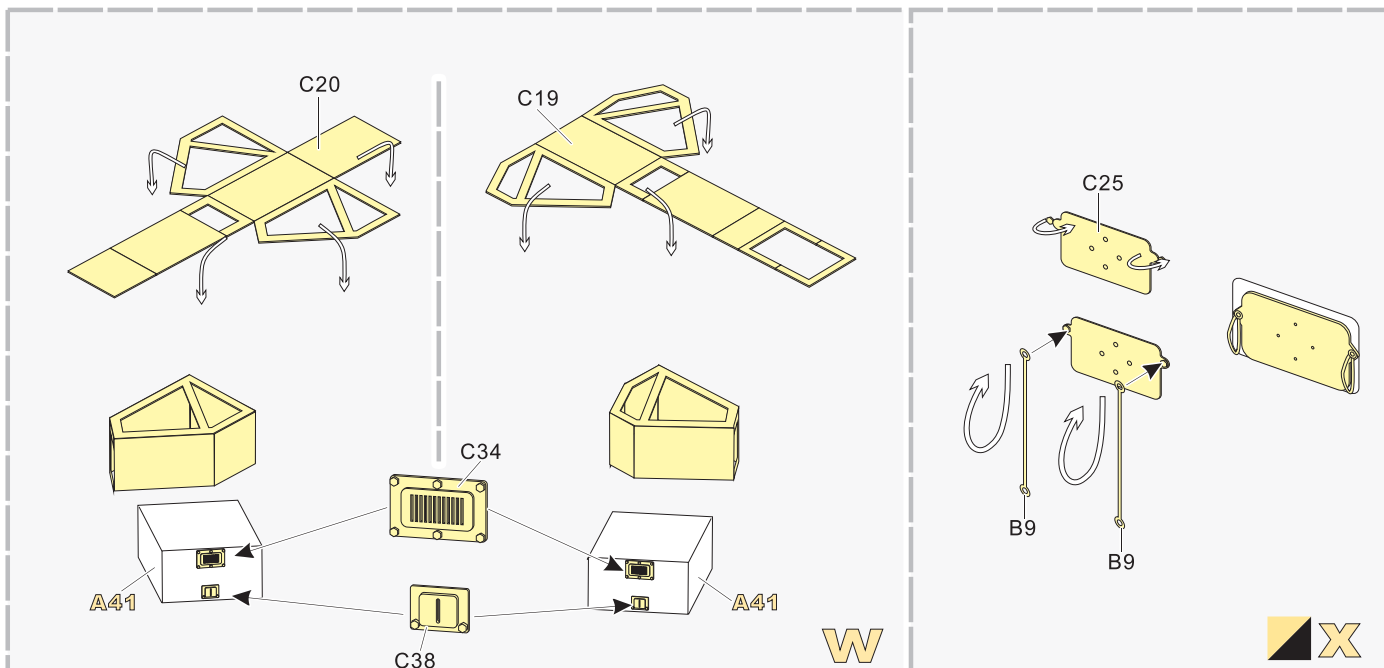
蚀刻片零件内侧面  
PE part inboard side turn up

用笔尖在凹槽处刮  
Use penpoint scratch on the flute

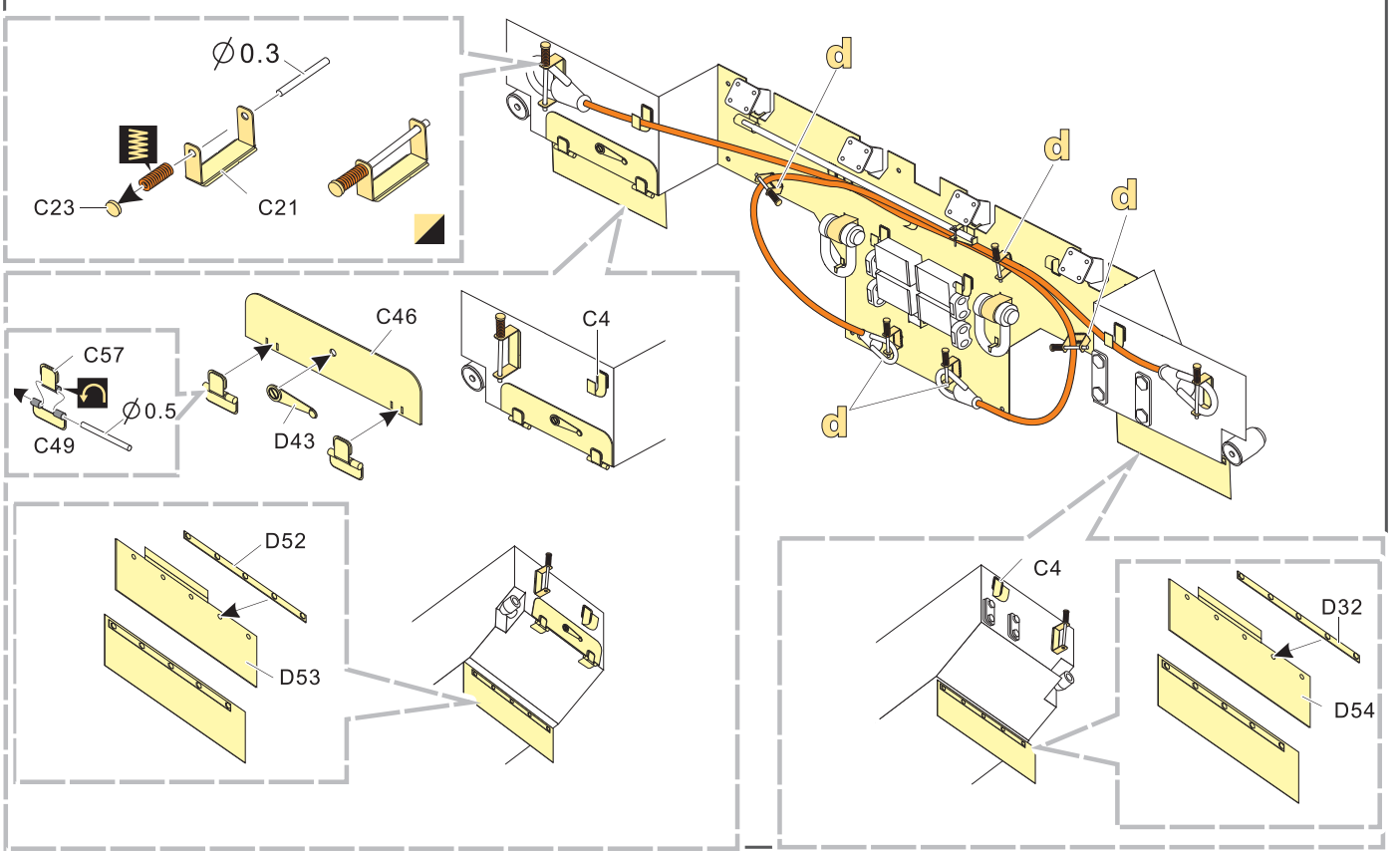
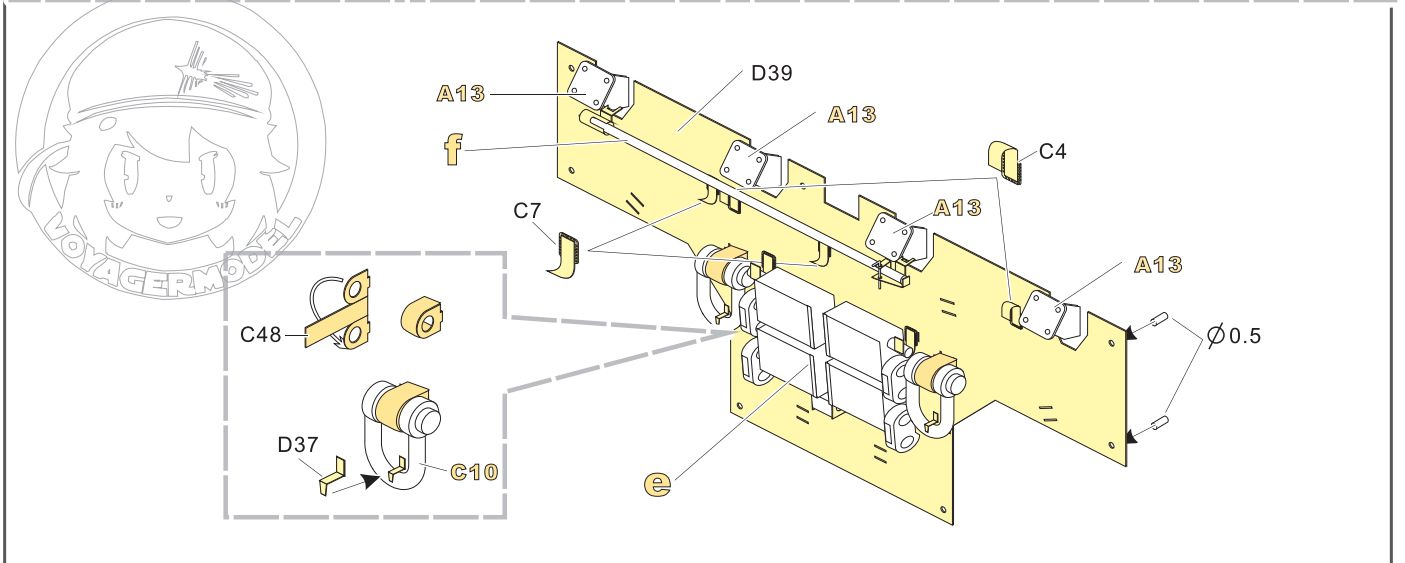
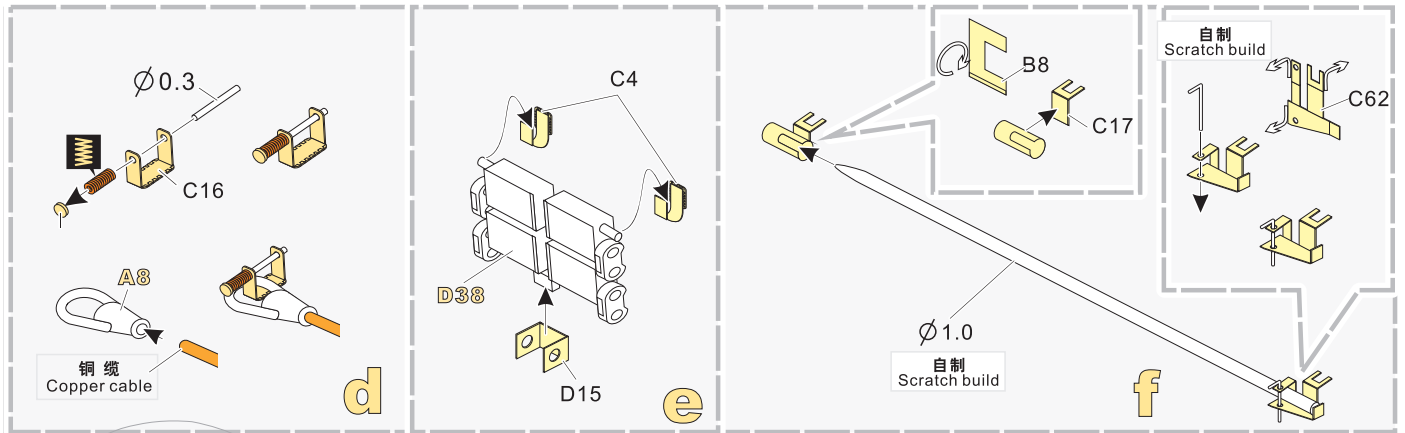
圆珠笔  
Ballpen



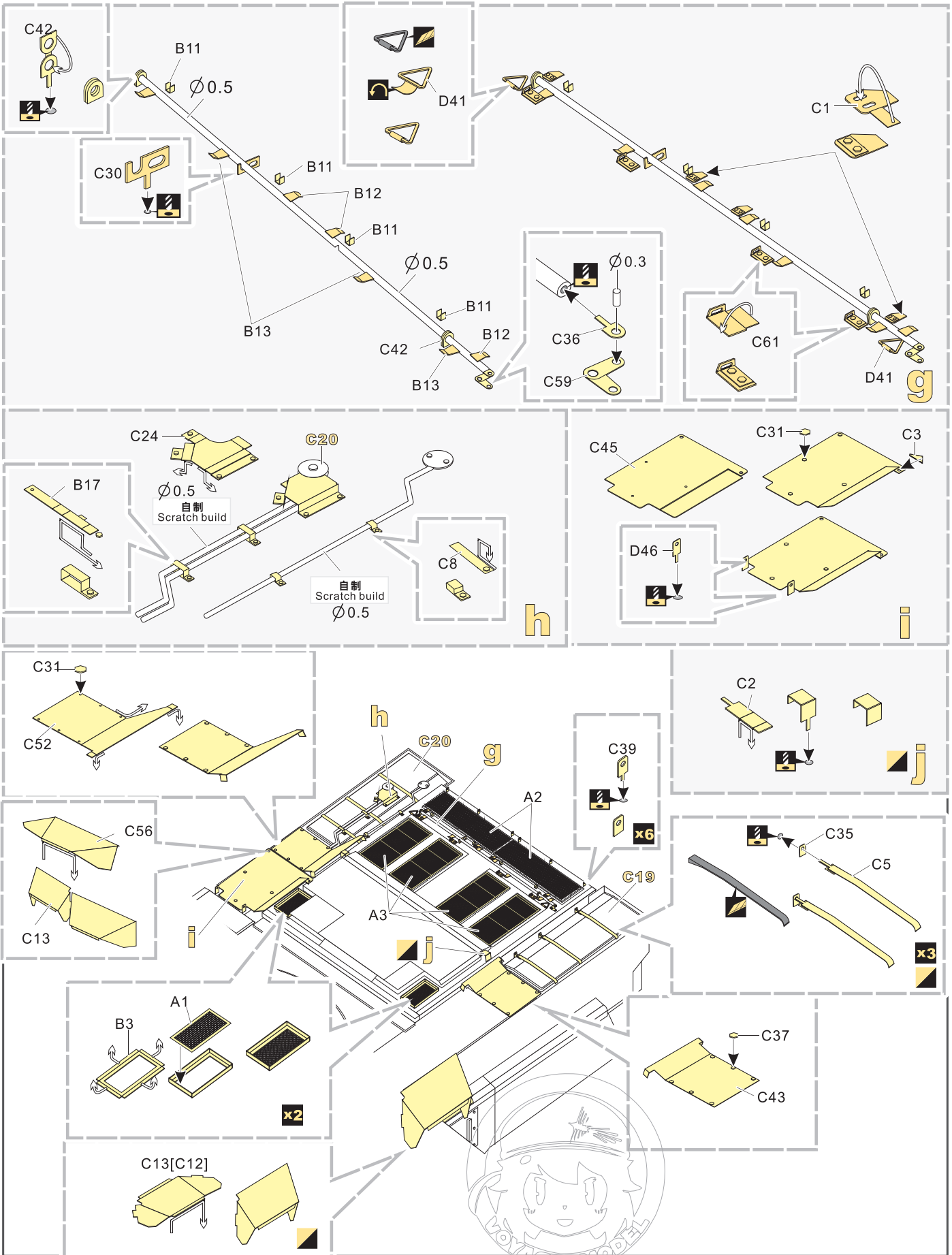
1/35 MILITARY MINIATURE VEHICLE UPGRADE SERIES PE35854



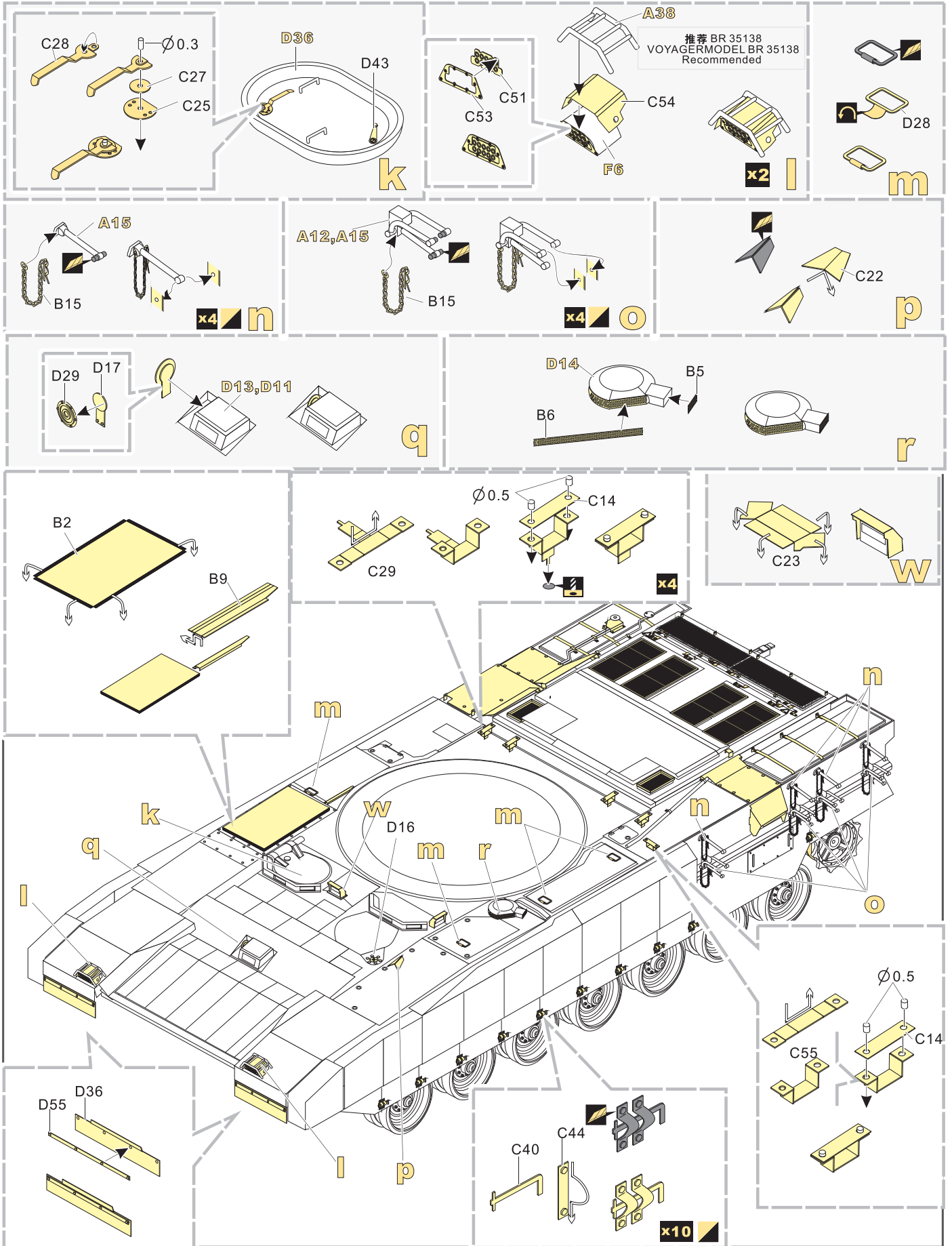
1/35 MILITARY MINIATURE VEHICLE UPGRADE SERIES PE35854



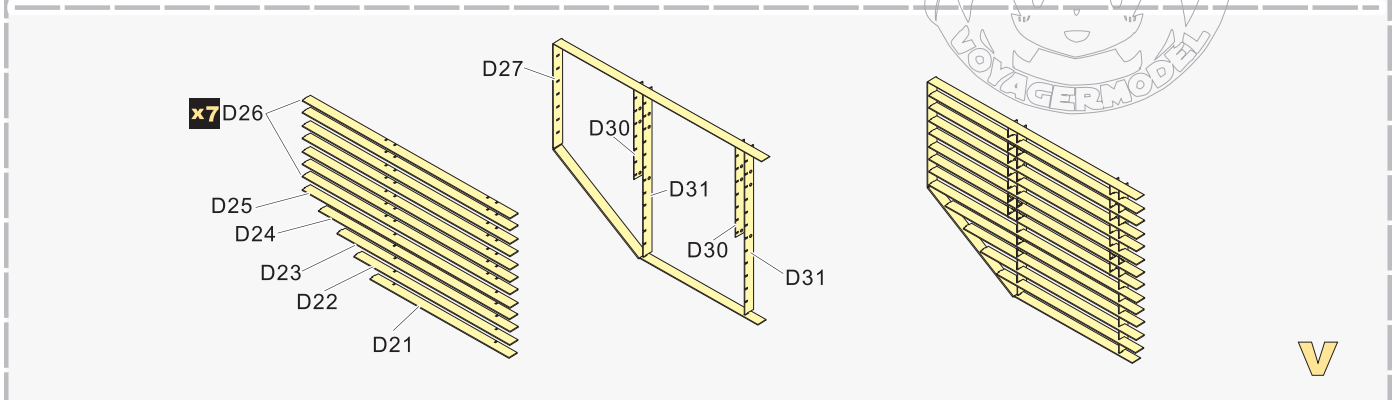
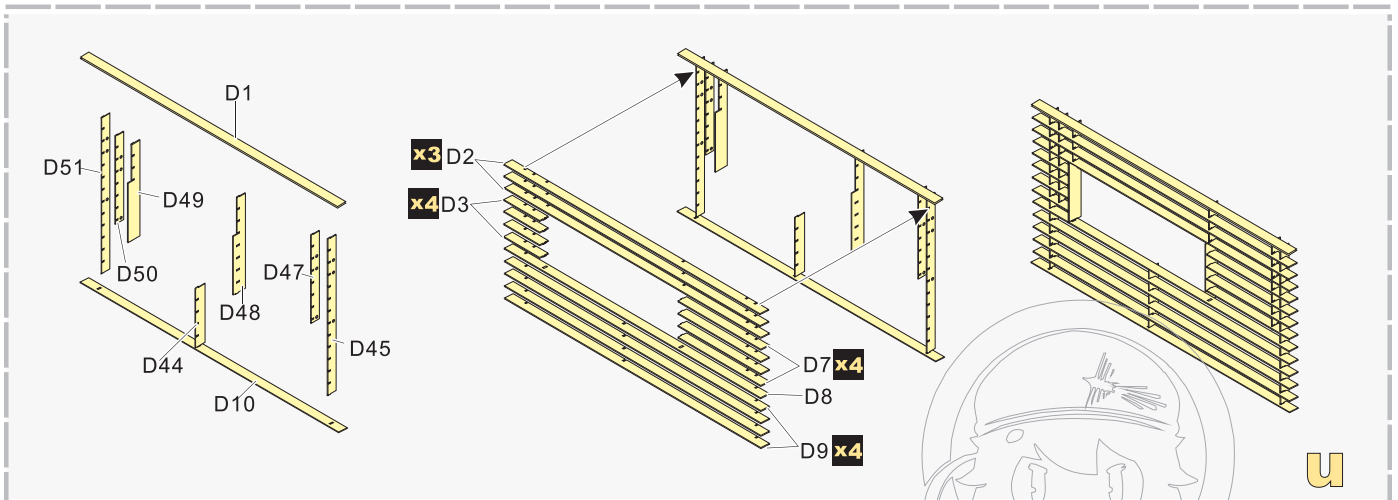
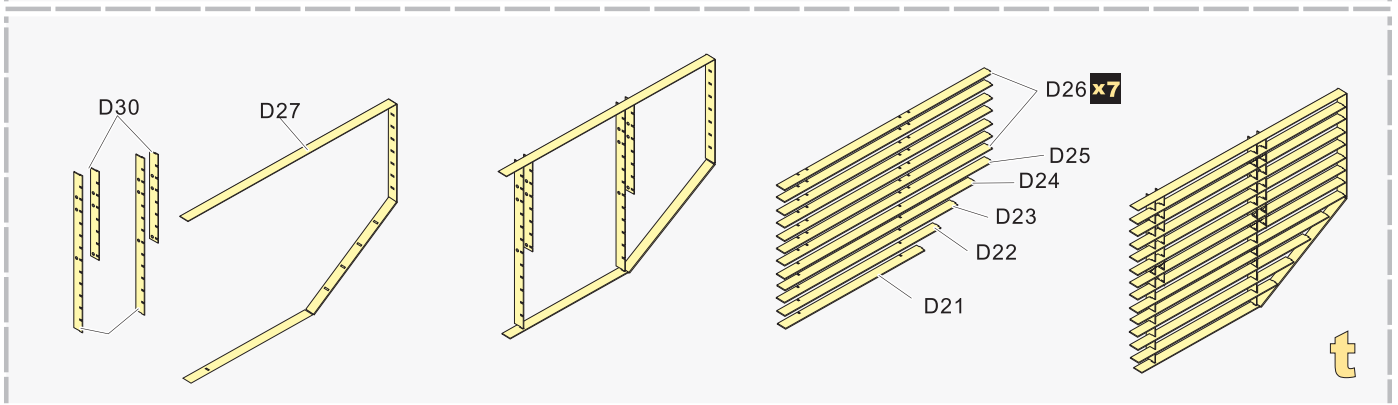
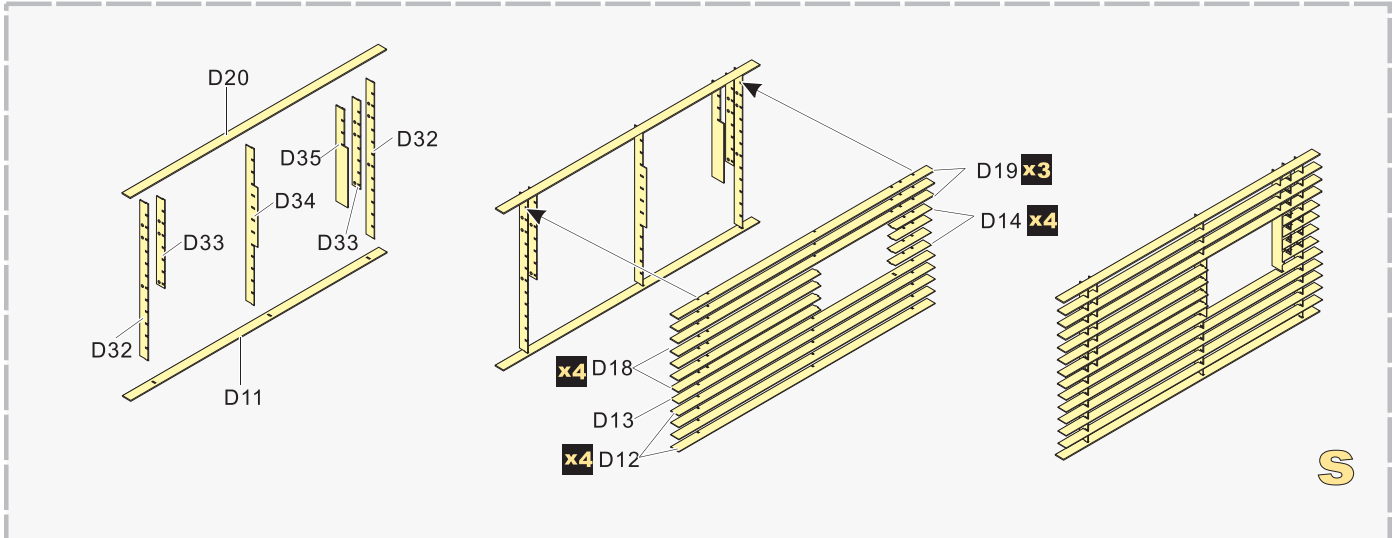
1/35 MILITARY MINIATURE VEHICLE UPGRADE SERIES PE35854



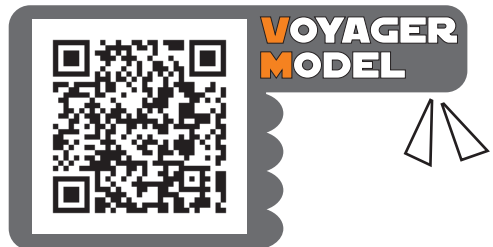
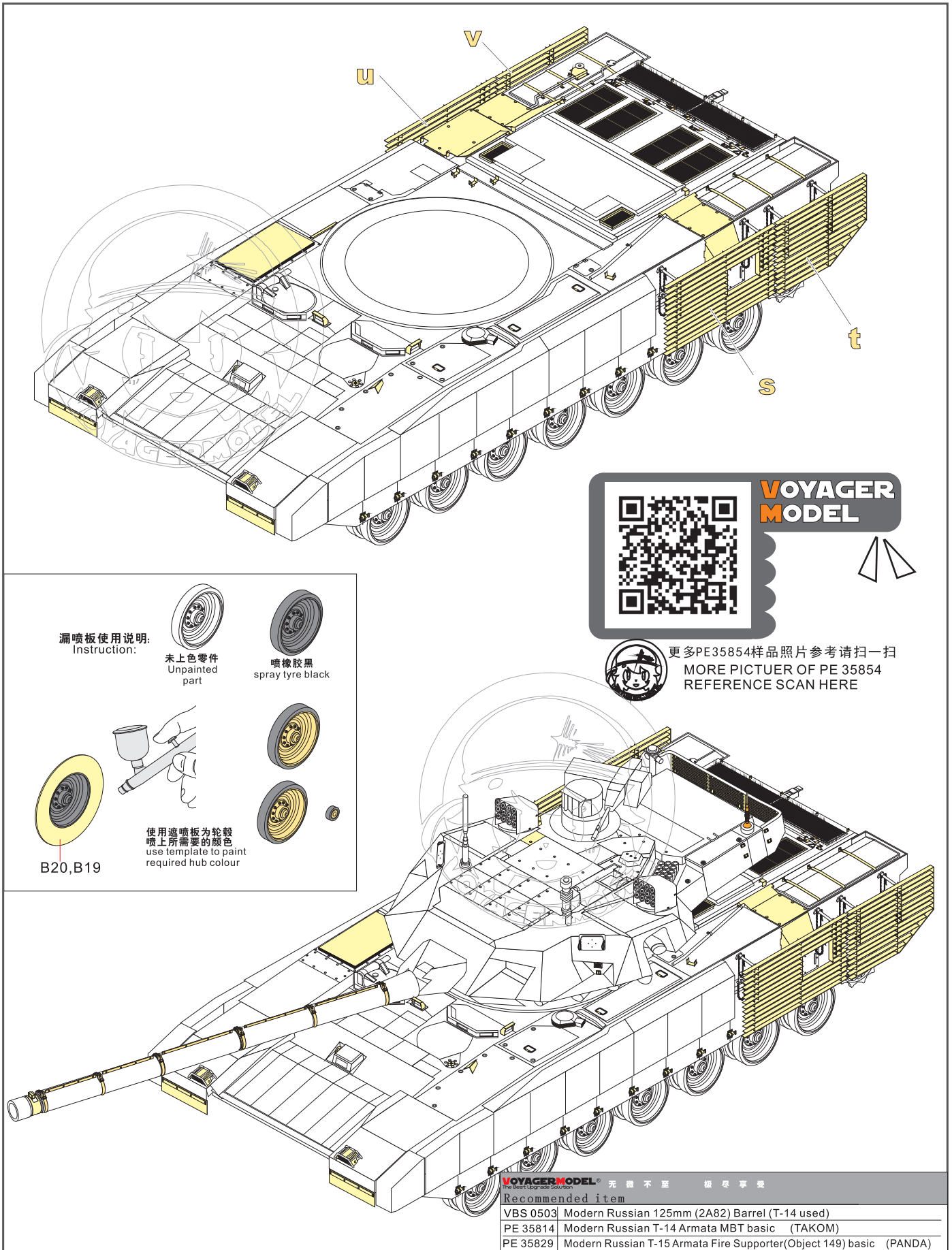
1/35 MILITARY MINIATURE VEHICLE UPGRADE SERIES PE35854



1/35 MILITARY MINIATURE VEHICLE UPGRADE SERIES PE35854



1/35 MILITARY MINIATURE VEHICLE UPGRADE SERIES PE35854



更多PE35854样品照片参考请扫一扫  
MORE PICTUER OF PE 35854  
REFERENCE SCAN HERE

漏喷板使用说明:  
Instruction:



使用遮喷板为轮毂  
喷上所需要的颜色  
use template to paint  
required hub colour

B20, B19

VOYAGERMODEL<sup>®</sup> 无微不至 极致享受

Recommended item

- |          |   |
|----------|---|
| VBS 0503 | Modern Russian 125mm (2A82) Barrel (T-14 used)                      |
| PE 35814 | Modern Russian T-14 Armata MBT basic (TAKOM)                        |
| PE 35829 | Modern Russian T-15 Armata Fire Supporter(Object 149) basic (PANDA) |