

1:72 Scale

ITEM NO.:80278



# F-14D Super Tomcat

F-14D スーパートムキャット

美国F-14D"超级雄猫"战斗机

### PLEASE READ BEFORE OPERATION!

- \* Tools recommended as below: (Not included)  
Adhesives; Paints; Side Cutters; Sharp Edged Pliers; Modeling Knife; Modeling File; Nippers; Drill; Scissors; Sand Paper; Soft Cloth; Cyanoacrylate Glue.
- \* Make sure to read this instruction listed below before assembling.
- \* The kit contains the small parts, they can be dangerous if swallowed by mistake, so keep them away from reach of children.
- \* Cut the all parts off carefully and remove the waste parts into the garbage can.
- \* More caution and care should be needed for cutting and handling the photo etched parts.
- \* Make attention that some parts should be attached the decal when assembled.
- \* During assembling, please tear up and throw away the plastic bags, or may cause the dangerous if wearing over head by children's mistake.
- \* When using the adhesives and paints, please do not use them in the closed room or near the fire, also must be very careful to protect your eyes, face and clothes.
- \* Adult supervised when assembled by children under 14 years old.

### 装配前请仔细阅读:

- \* 推荐使用的模型工具(请自备):  
专用模型胶水, 专用模型油漆, 水口剪刀, 长咀钳, 刀片, 锉刀, 镊子钳, 钻, 剪刀, 软布, 砂纸, 瞬间快干胶等。
- \* 用水口剪刀或刀片小心切下所有塑胶零件和蚀刻片零件, 不要遗失小零件。
- \* 切取蚀刻片时应特别注意防止利边划伤手指。
- \* 用模型锉刀小心锉平所有零件表面的注射浇口。
- \* 用适量的强力快干胶水粘合蚀刻片零件和金属轴, 切忌过量, 否则可能导致可动零件被粘住。
- \* 注意某些零件表面需在装配时同步贴水上贴纸。
- \* 制作时应远离幼儿并将包装袋及时收妥, 谨防小孩玩耍而引起意外。



cyanoacrylate glue  
强力胶



weight  
配重



make hole  
钻孔



cut / remove  
切除



option  
选择



no cement  
不涂胶水



decal  
贴纸



bend  
弯曲



repair  
填补

### The method to apply the decals

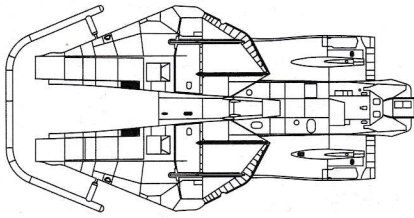
1. Cut off the decal from the decal paper and put it into the warm water 40 C for 10 seconds.
2. Take the decal from the water and put it on a piece of clean cloth.
3. Remove the decal slowly from the paper to the targeted location by a wet finger.
4. Use a piece of dry and soft cloth to press it gently on the decal until it getting dry and no bubble existing.

### 水贴纸的使用方法:

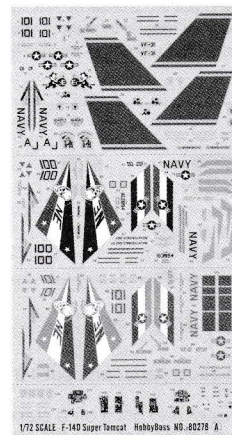
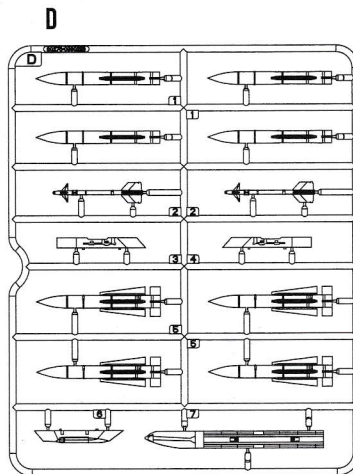
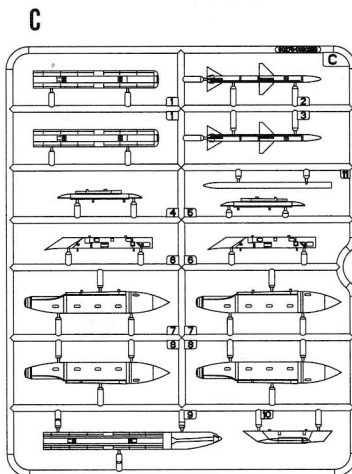
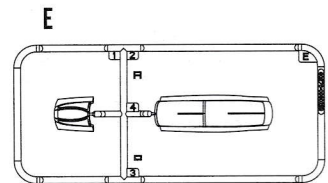
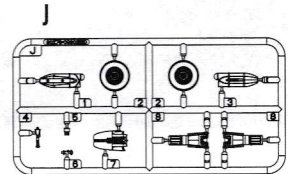
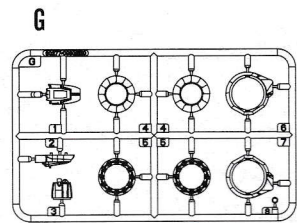
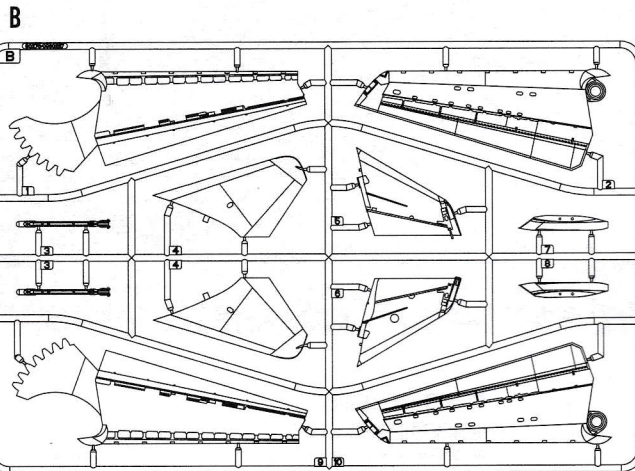
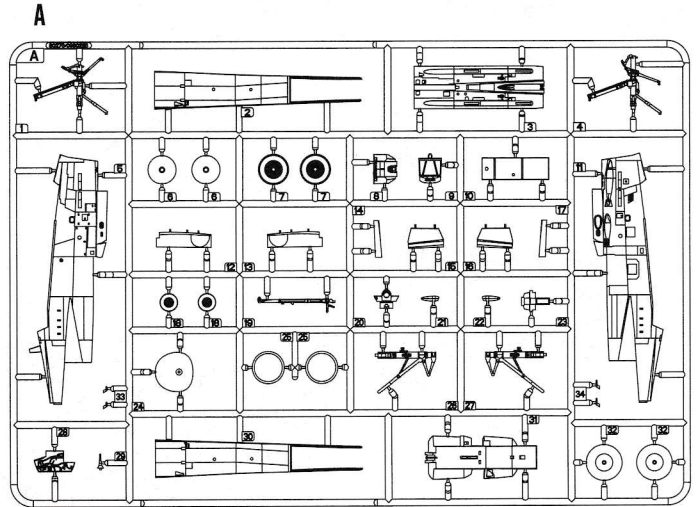
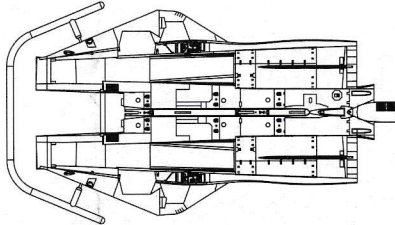
- 一. 把相关的印花从水贴纸上剪下, 放入40℃左右的温水中浸10秒。
- 二. 然后将印花放在干净的布上。
- 三. 拿上印花纸板, 手指蘸水将印花移到适当的位置。
- 四. 用软干布轻压印花直至水干, 气泡消失。

部品图  
Parts

《上部机身》  
Top Fuselage



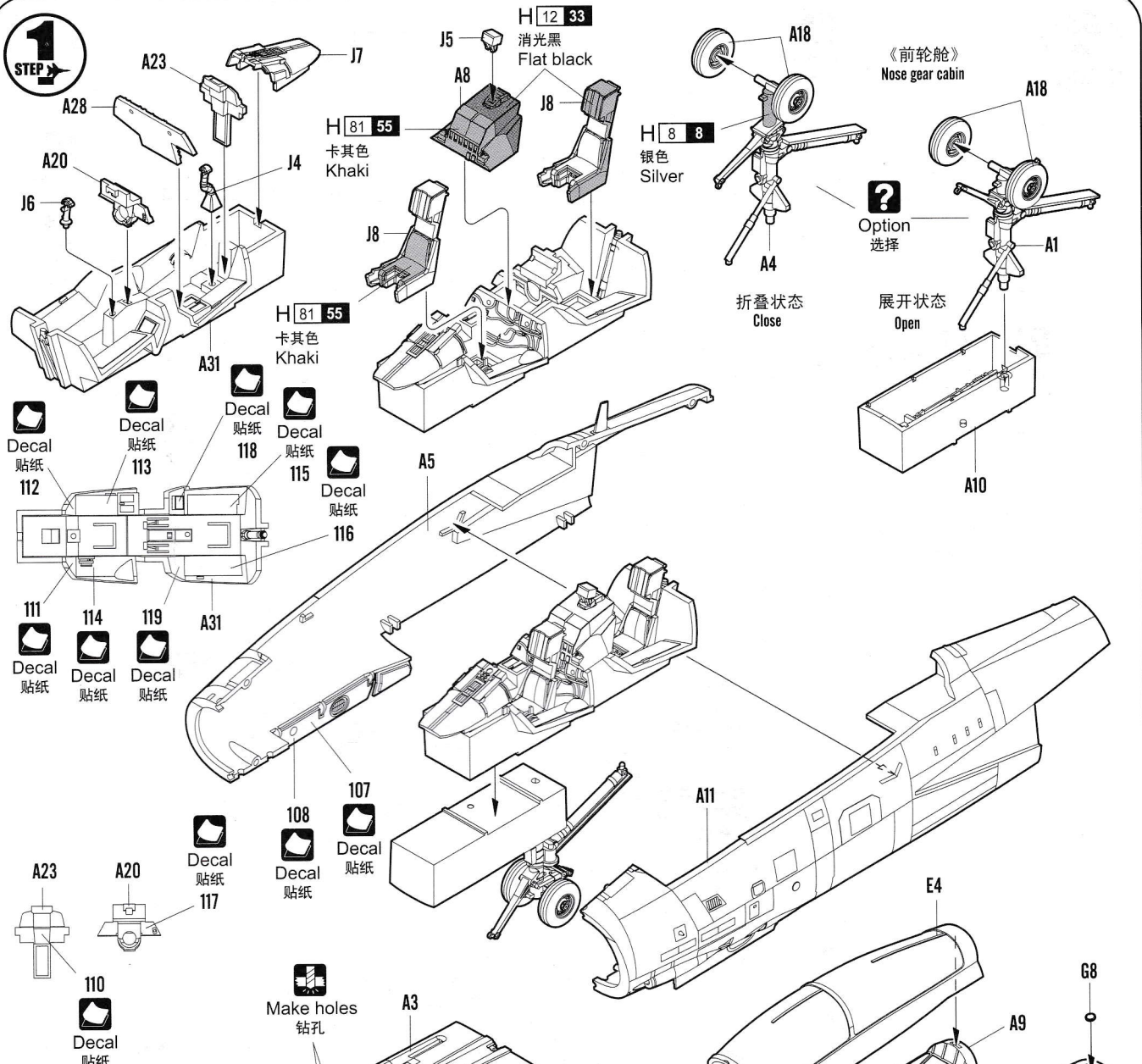
《下部机身》  
Lower Fuselage



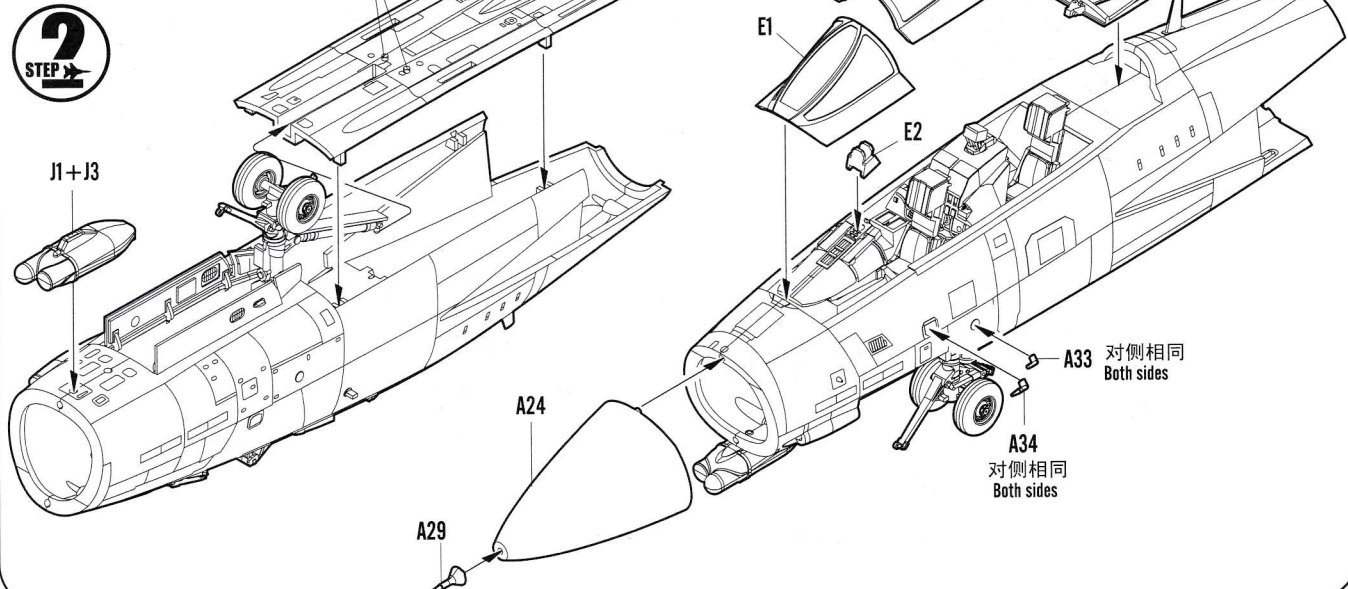
《水贴》  
Decal

不用的部件: C4 C5 D3 D4 E3  
Unused parts

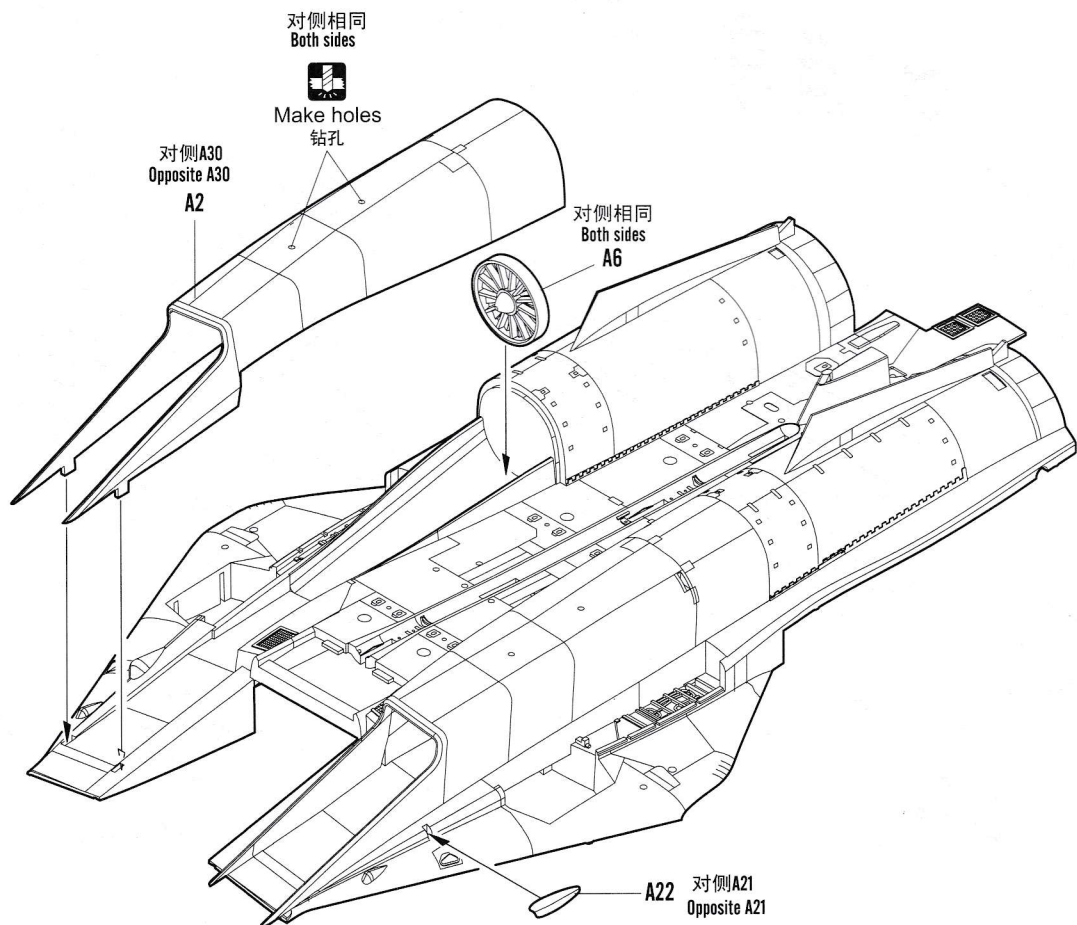
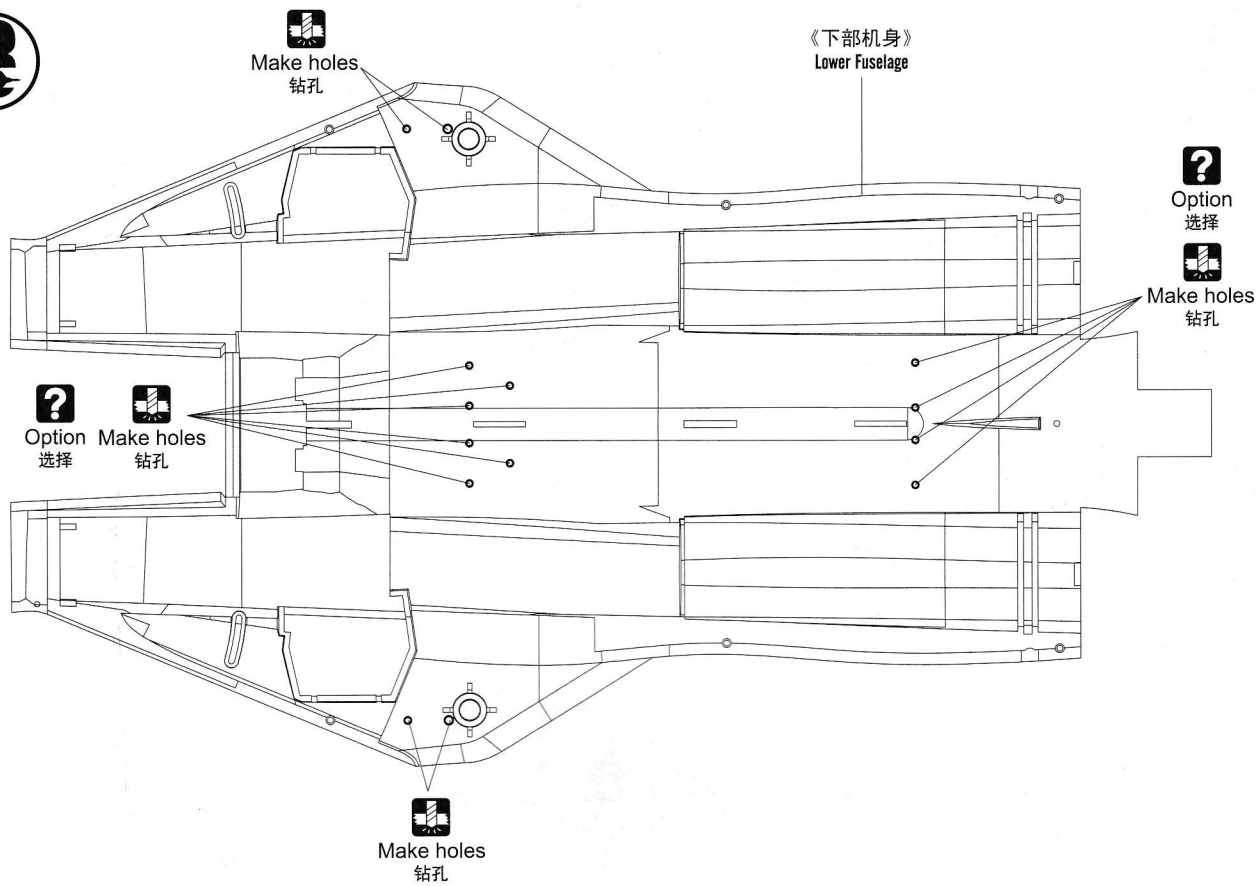
**1**  
STEP



**2**  
STEP



**3**  
STEP



**4**  
STEP

《上部机身》  
Top Fuselage

B9 + B10

H 327 327  
红色  
Insignia Red

A25 + A32

A25 + A32

B1 + B2

H 327 327  
红色  
Insignia Red

**5**  
STEP

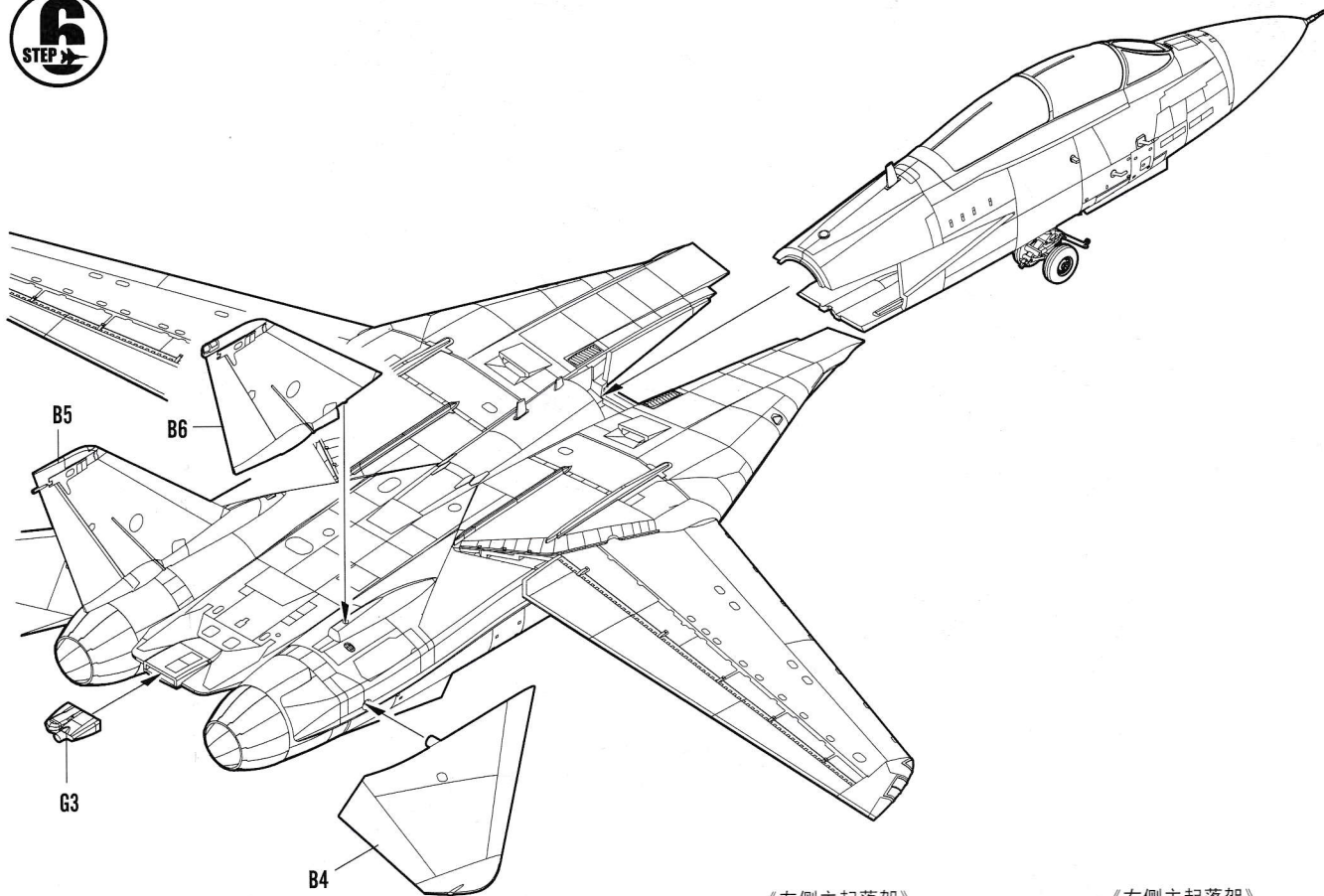
对侧相同 G5  
Both sides

对侧G6  
Opposite G6  
G7

?  
Option  
选择

G4  
对侧相同  
Both sides

**6**  
STEP



G3

B5

B6

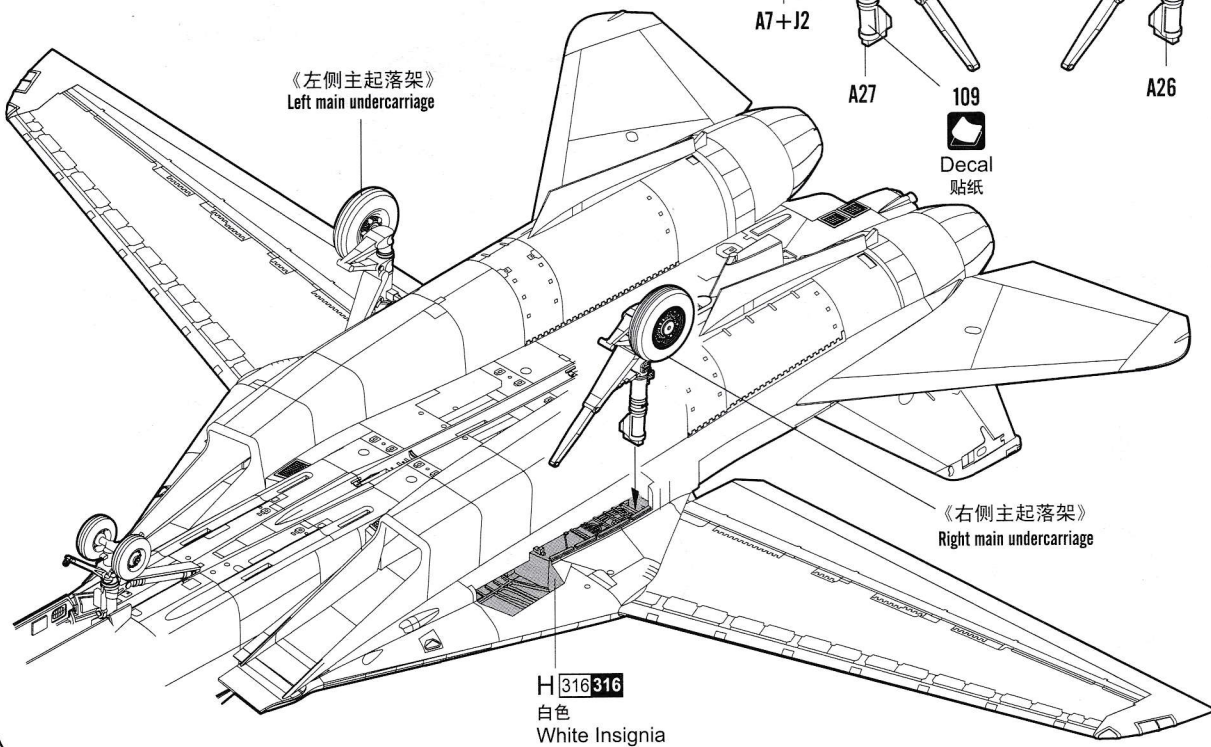
B4

对侧相同  
Both sides

《左侧主起落架》  
Left main undercarriage

《右侧主起落架》  
Right main undercarriage

**7**  
STEP



《左侧主起落架》  
Left main undercarriage

《右侧主起落架》  
Right main undercarriage

A7+J2

A27

109

Decal  
贴纸

A26

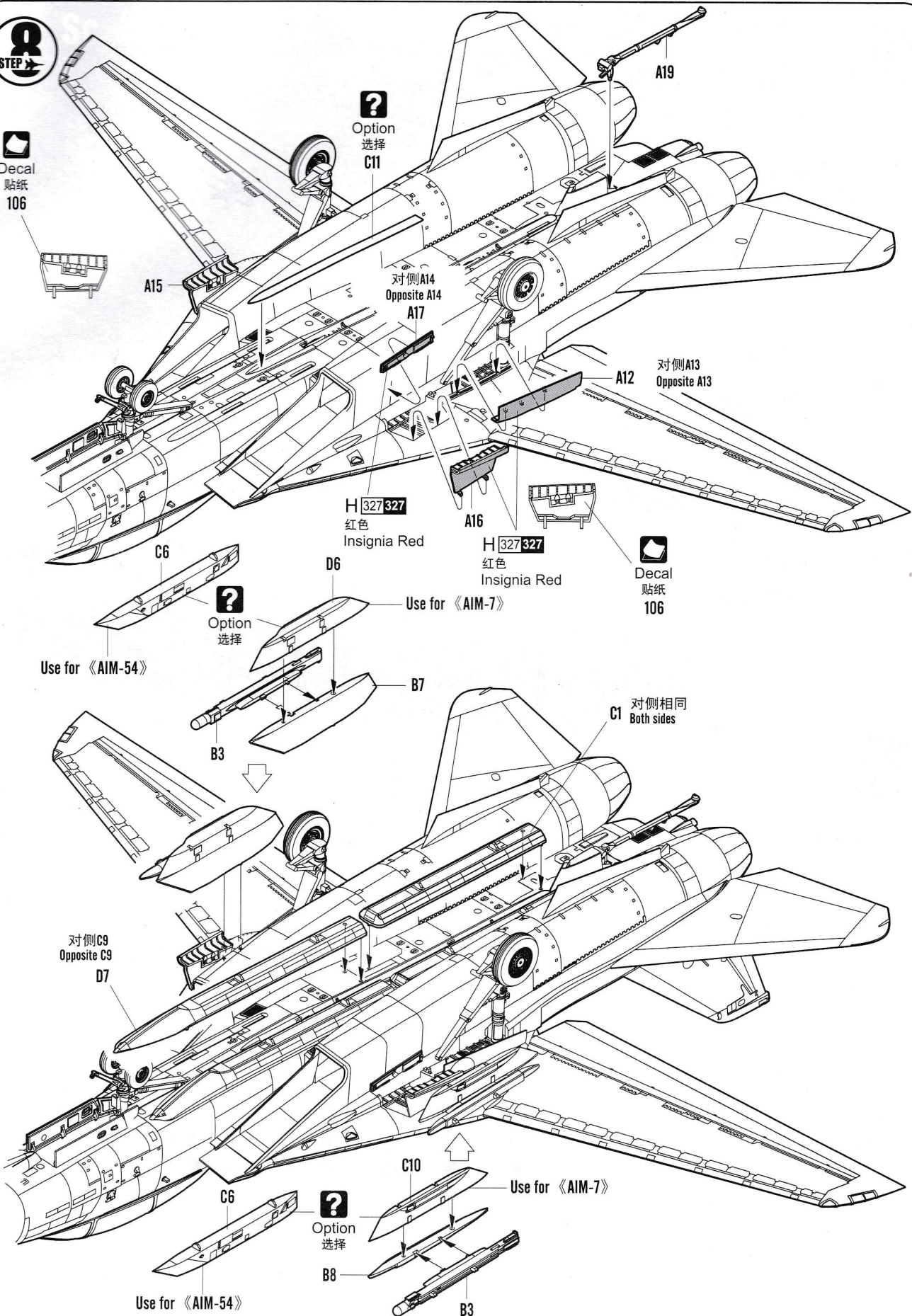
A7+J2

H 316 316

白色  
White Insignia

STEP 8

Decal  
贴纸  
106



?  
Option  
选择  
C11

对侧A14  
Opposite A14

对侧A13  
Opposite A13

H 327 327  
红色  
Insignia Red

H 327 327  
红色  
Insignia Red

Decal  
贴纸  
106

?  
Option  
选择

Use for «AIM-7»

Use for «AIM-54»

对侧相同  
Both sides  
C1

对侧C9  
Opposite C9

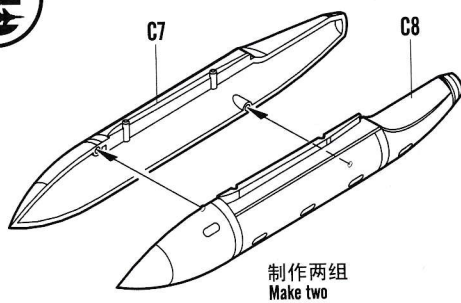
Use for «AIM-7»

?  
Option  
选择

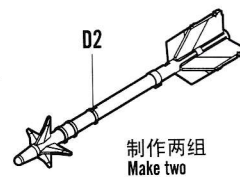
Use for «AIM-54»

9  
STEP

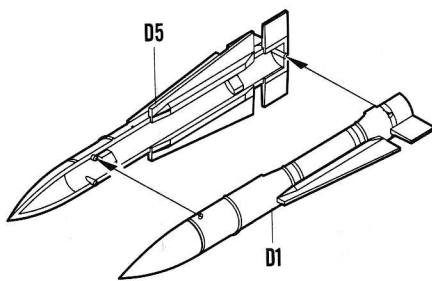
《Fuel tank》



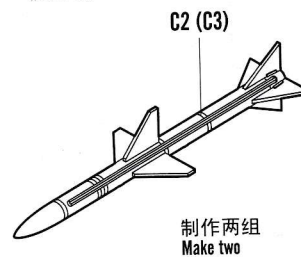
《AIM-9》



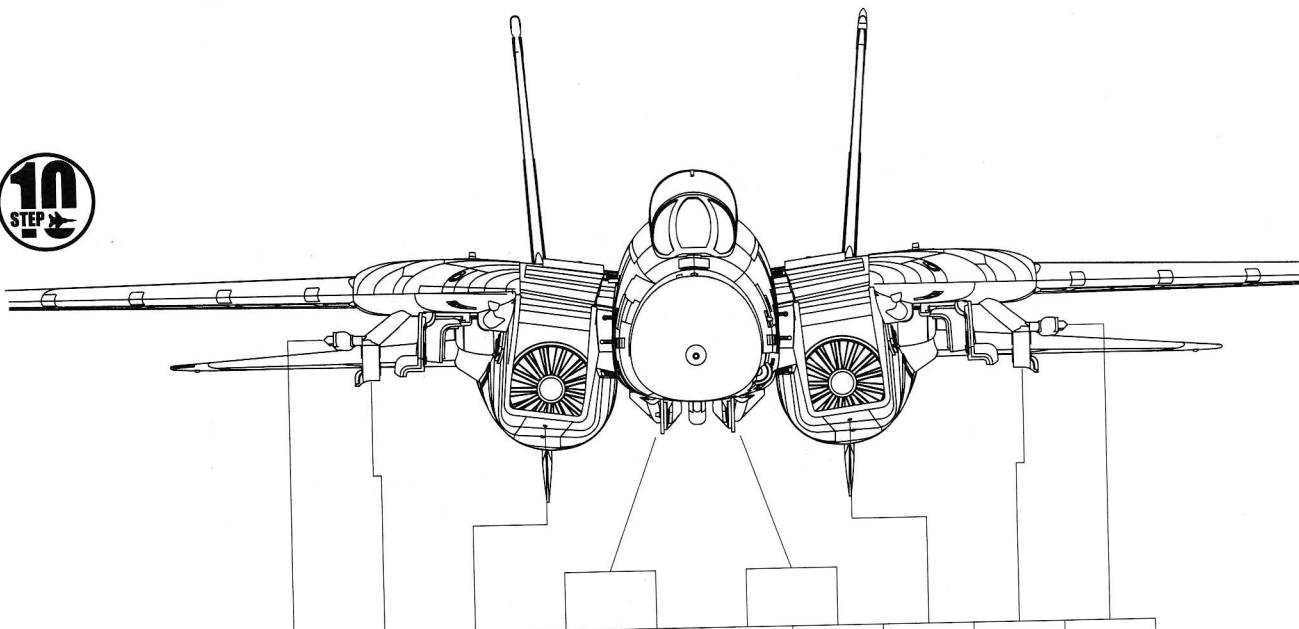
《AIM-54》



《AIM-7》



10  
STEP

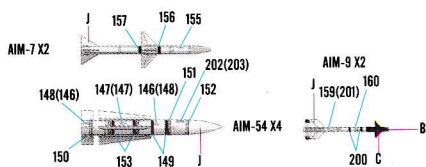
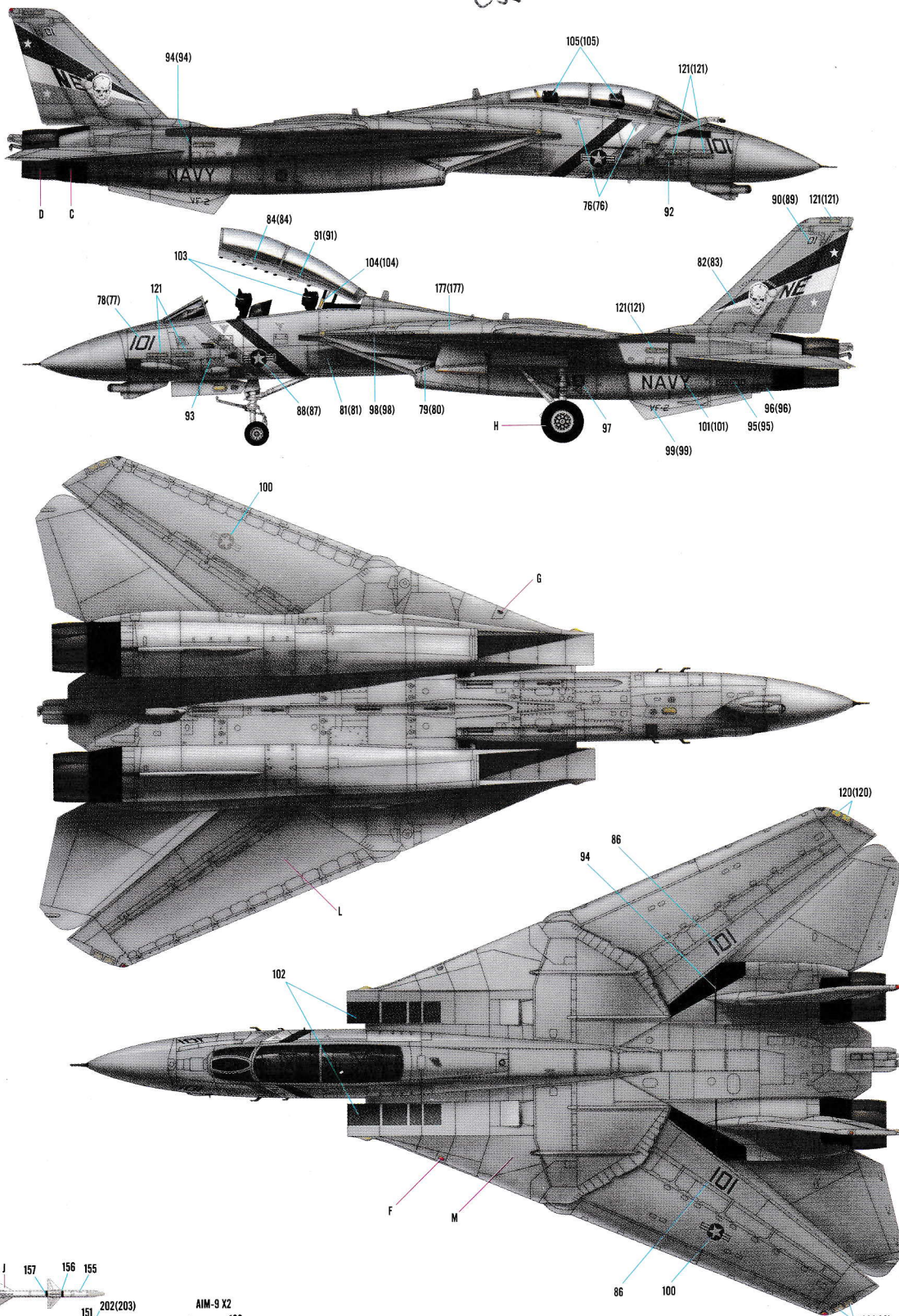


Sta.No.	1	2	3	4	5	6	7	8	9	10
Missile/Tank				Front	Back	Front	Back			
AIM-54		●		●	●	●	●		●	
AIM-7		●		●	●	●	●		●	
AIM-9	●									●
Fuel tank			●					●		



**I** F-14D, No.159630 VF-2 USS CONSTELLATION.

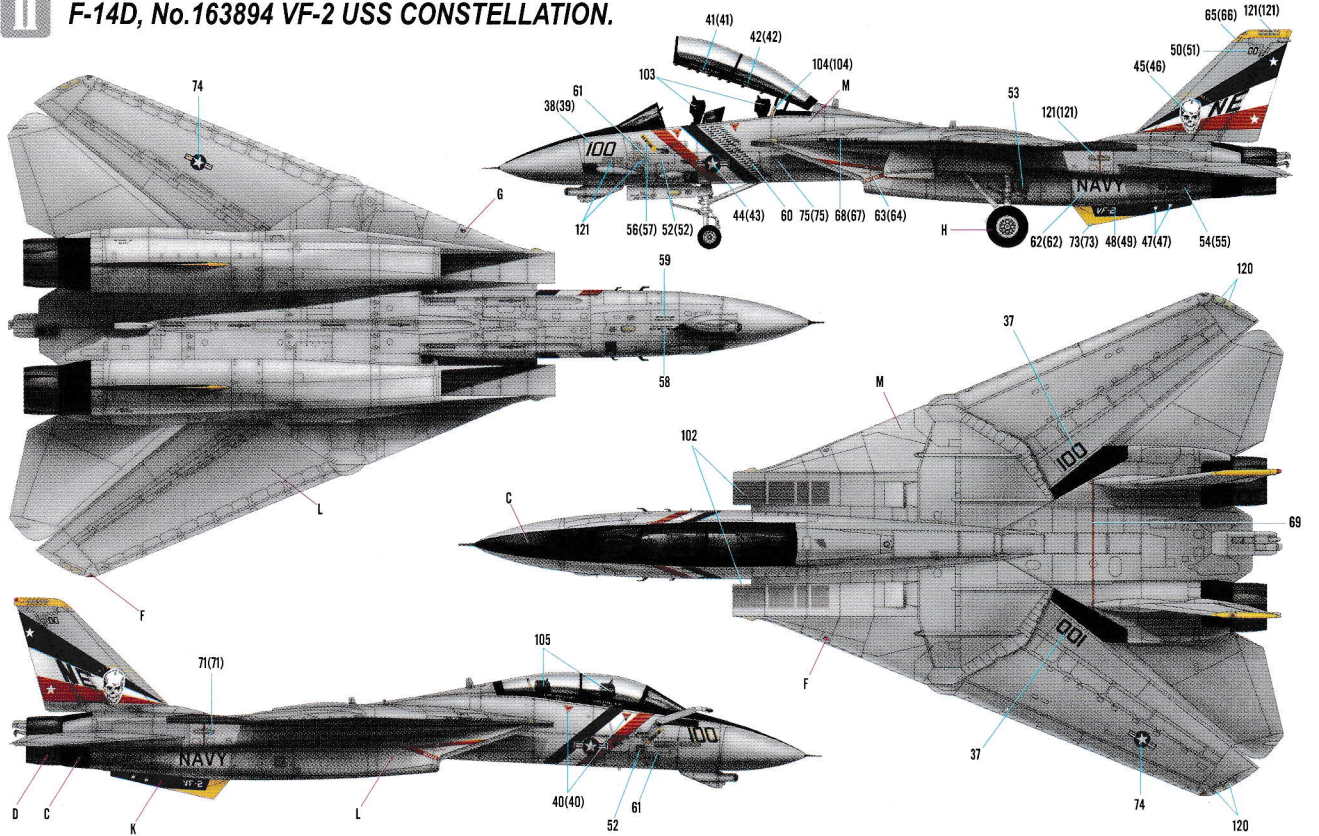
*OIF 2003  
USS Constellation*



	Color	Mr.Hobby	Vallejo	Model Master	Tamiya	Humbrol	Color	Mr.Hobby	Vallejo	Model Master	Tamiya	Humbrol
A	黑色 Black	H 2 2	861	1747	X1	21	红色 Insignia Red	H 82 327	957	1705	X71	153
B	银色 Silver	H 8 8	997	1546	X11	11	透明红 Clear Red	H 80 47	934	--	X27	--
C	消光黑 Flat Black	H 12 33	950	1749	XF1	33	透明蓝 Clear Blue	H 83 50	938	--	X23	--
D	烧铁色 Burnt Iron	H 76 61	863	1795	X10	53	胎黑色 Tyre Black	H 77 137	--	--	--	--

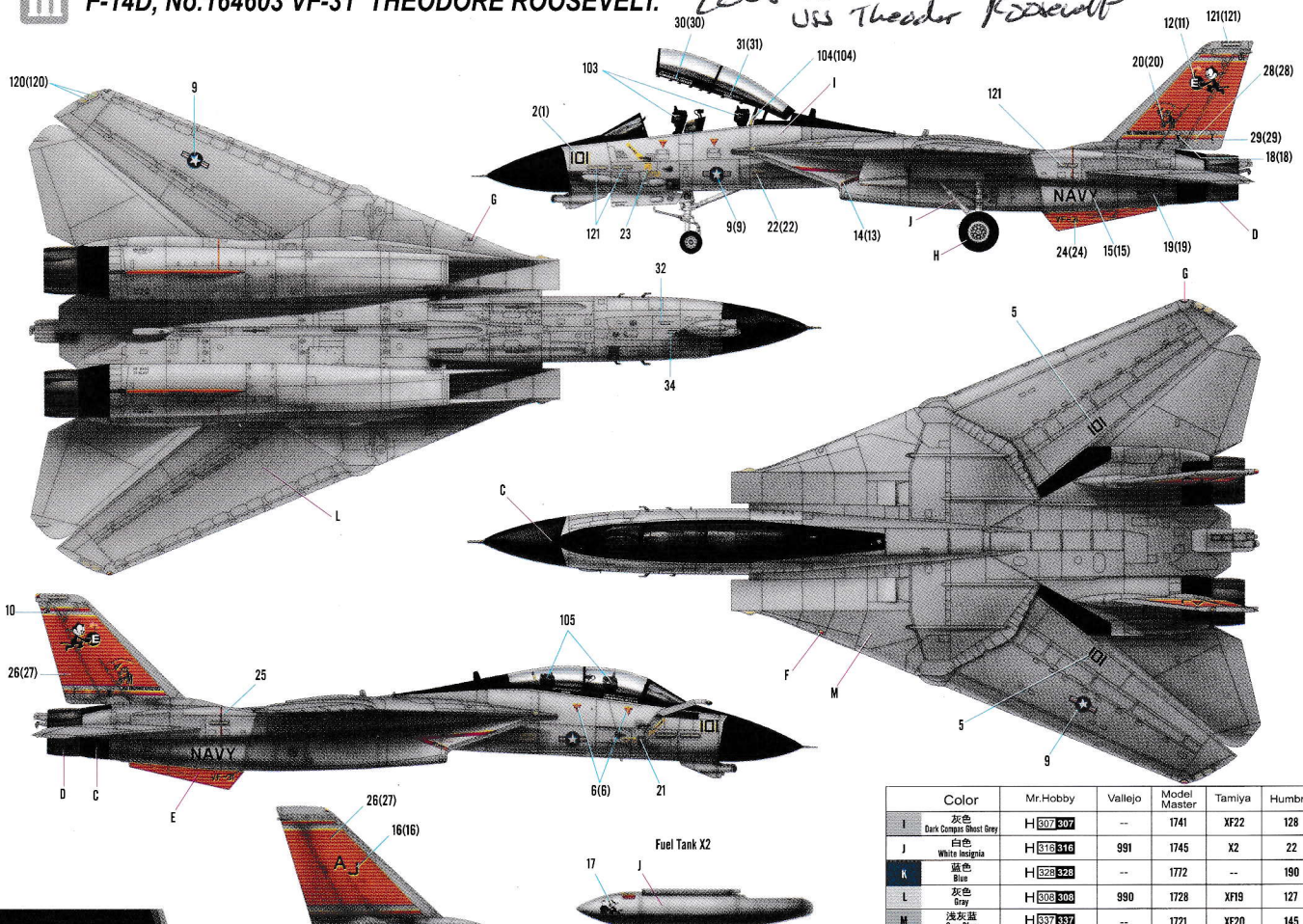
II F-14D, No.163894 VF-2 USS CONSTELLATION.

2005 OIF USS Constellation



III F-14D, No.164603 VF-31 THEODORE ROOSEVELT.

2005-2006 USS Theodore Roosevelt



Color	Mr.Hobby	Vallejo	Model Master	Tamiya	Humbrol
I 灰色 Dark Charcoal Black Grey	H 807 307	--	1741	XF22	128
J 白色 White insignia	H 816 316	991	1745	X2	22
K 蓝色 Blue	H 828 328	--	1772	--	190
L 灰色 Gray	H 808 308	990	1728	XF19	127
M 浅灰蓝 Gray Blue	H 837 337	--	1721	XF20	145
N 浅灰色 Light Gray	H 838 338	907	1732	XF14	147