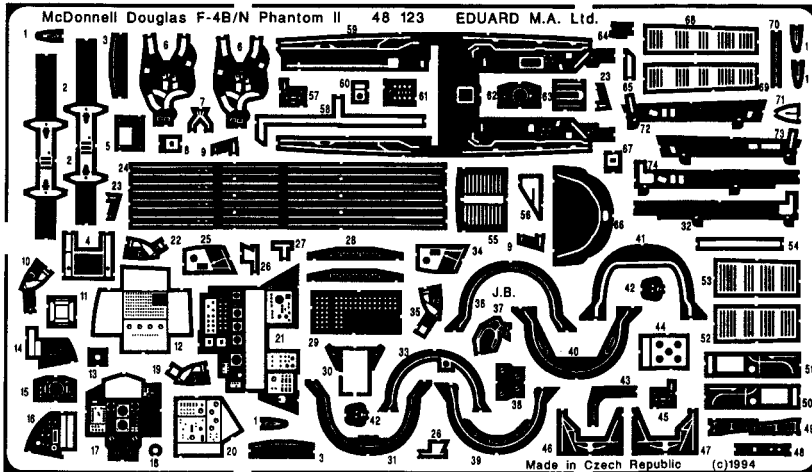








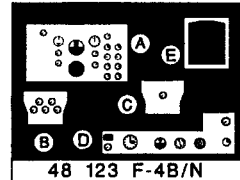
# MDD F-4B/N Phantom II

48 123

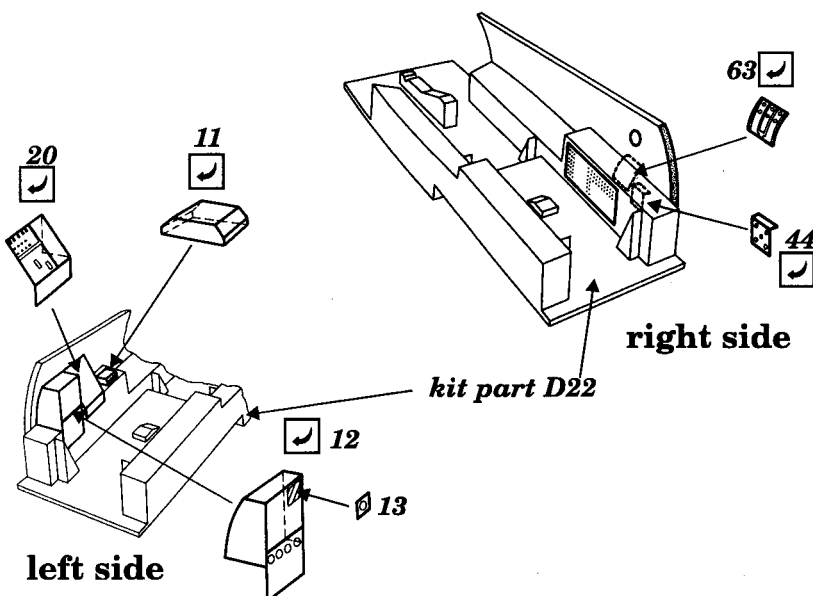
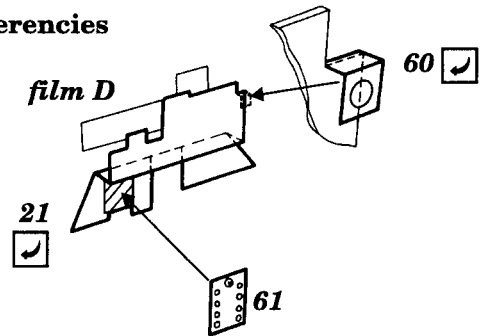
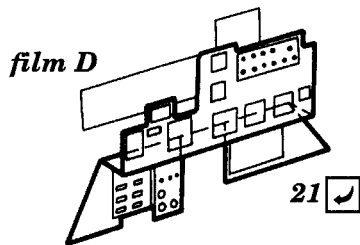
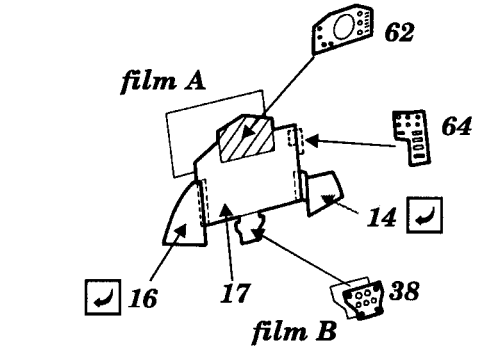
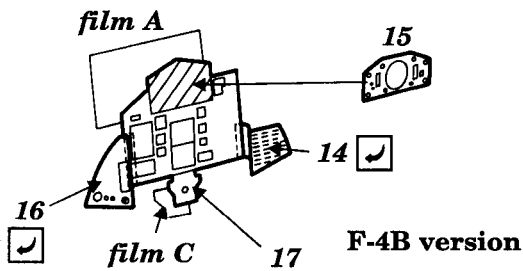
1/48 scale detail set for Hasegawa kit



-  OPPOSITE SIDE
-  REMOVE
-  BEND
-  REPLACE

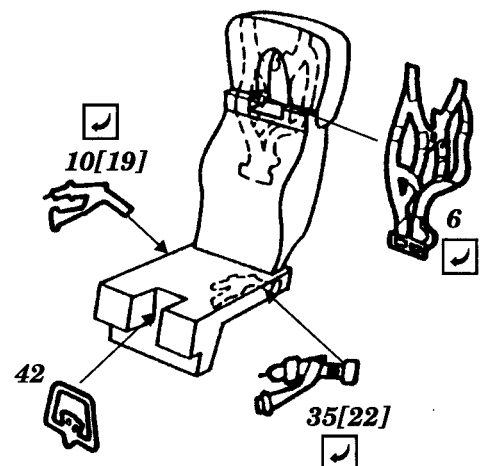


## A COCKPIT - INTERIOR

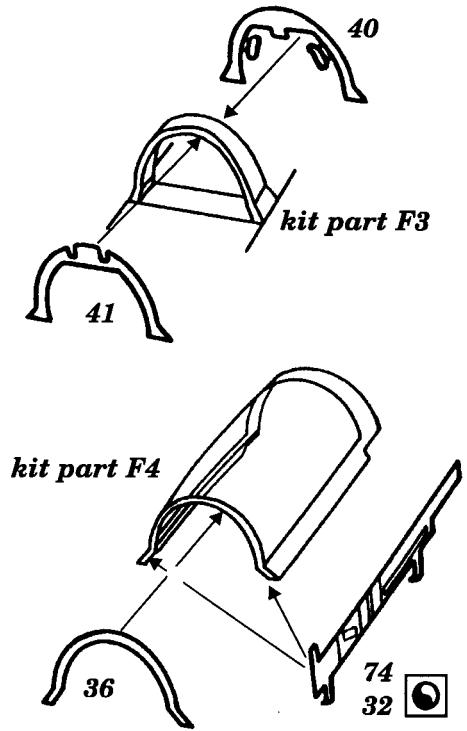
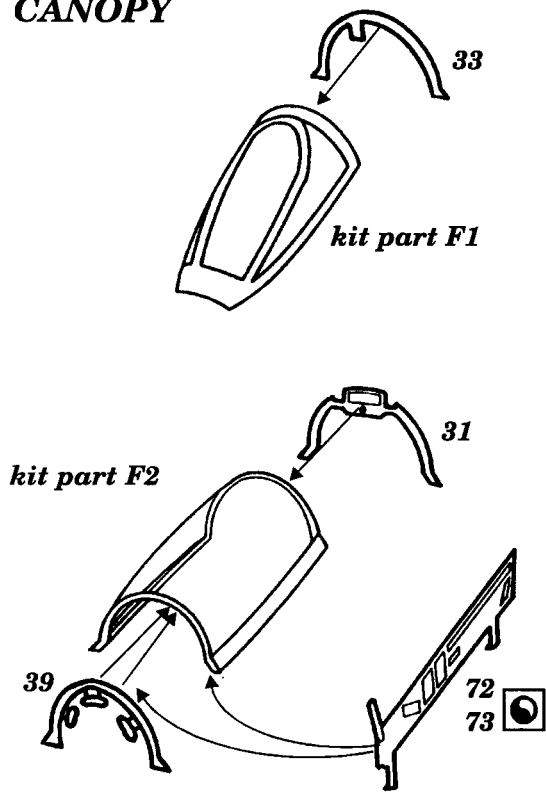


## B EJECTION SEAT

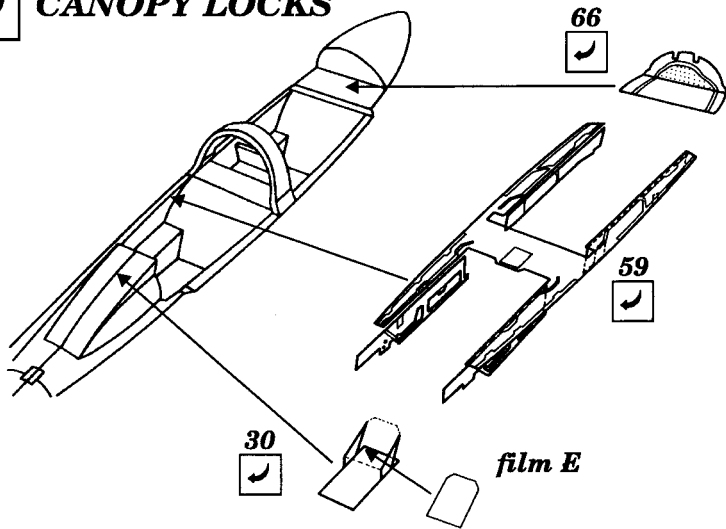
kit part D23[D24]



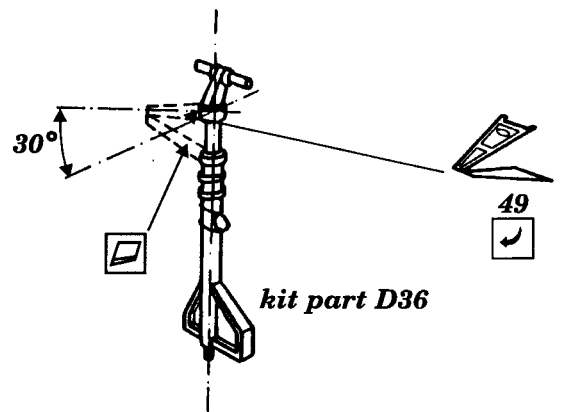
# C CANOPY



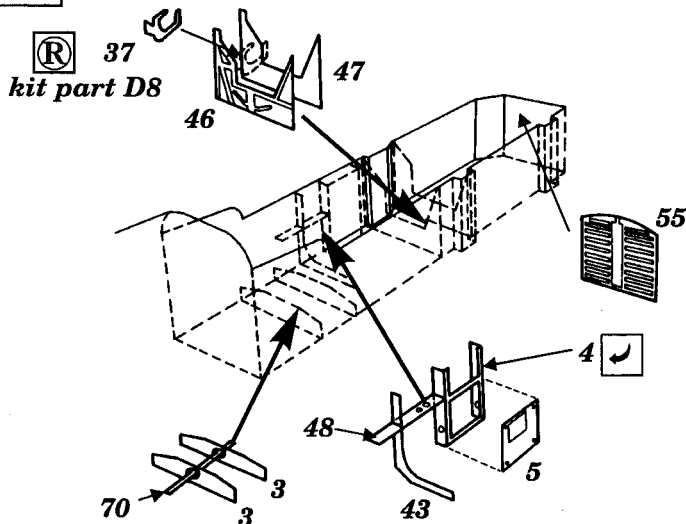
# D CANOPY LOCKS



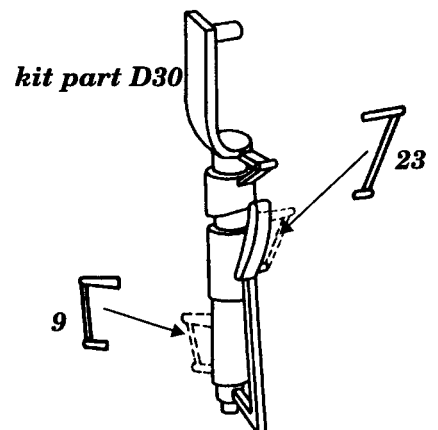
# E NOSE STRUT



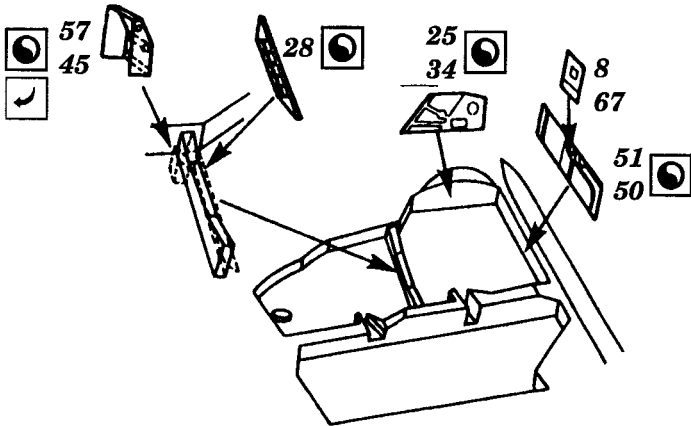
# F NOSE UNDERCARRIAGE WELL



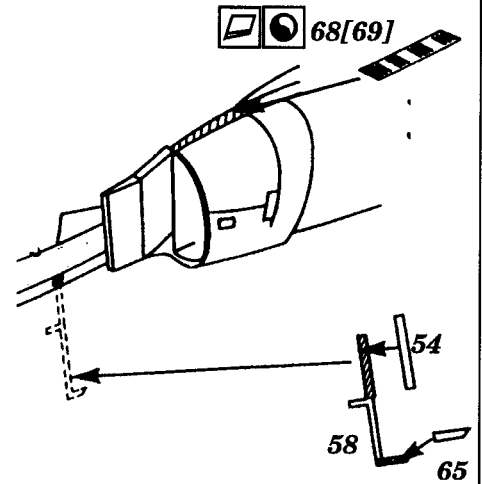
# G MAIN UNDERCARRIGE STRUT



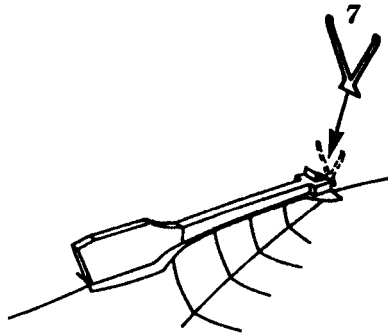
**H** MAIN UNDERCARRIAGE WELL



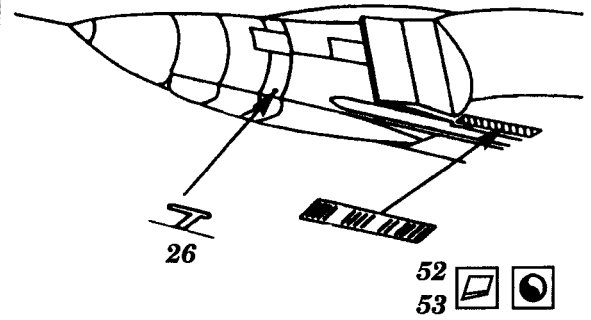
**I** BOARDING LADDER



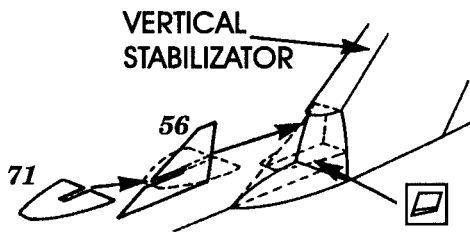
**J** ARRESTING HOOK



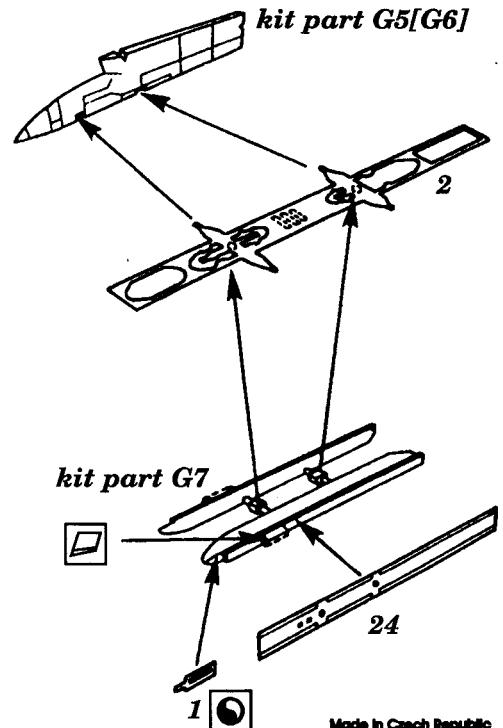
**K** GRILLS



**L** INTAKE



**M** PYLON & MISSILE LAUCHER



**N** EXTERIOR ASSEMBLY - BOTTOM

