

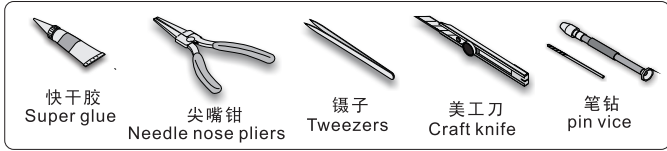
1/35 MILITARY MINIATURE VEHICLE UPGRADE SERIES PE35523

WWII German Sd.Kfz.3a Maultier Half-Track

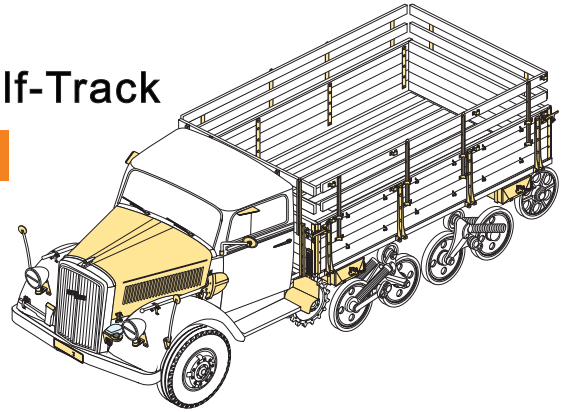
二战德军德国Sd.Kfz.3骡子半履带运输车改造件

[For DRAGON 6761]

推荐使用工具 RECOMMENDED TOOLS



- 安装 install
- 折叠 bend
- A1** 改造件零件编号 PE/resin part number
- B12** 原零件编号 kit part number
- G22** 被替换的原零件编号 replaced kit part number
- 切除 remove
- 打磨 grind off
- 弧度卷曲 radial bending
- 钻孔 drill
- 注意 caution
- 扩孔 ream
- x2** 制作若干组 multiple assembly
- 填补 fill
- 选择安装 alternative
- 另一侧相同制作 repeat on opposite side

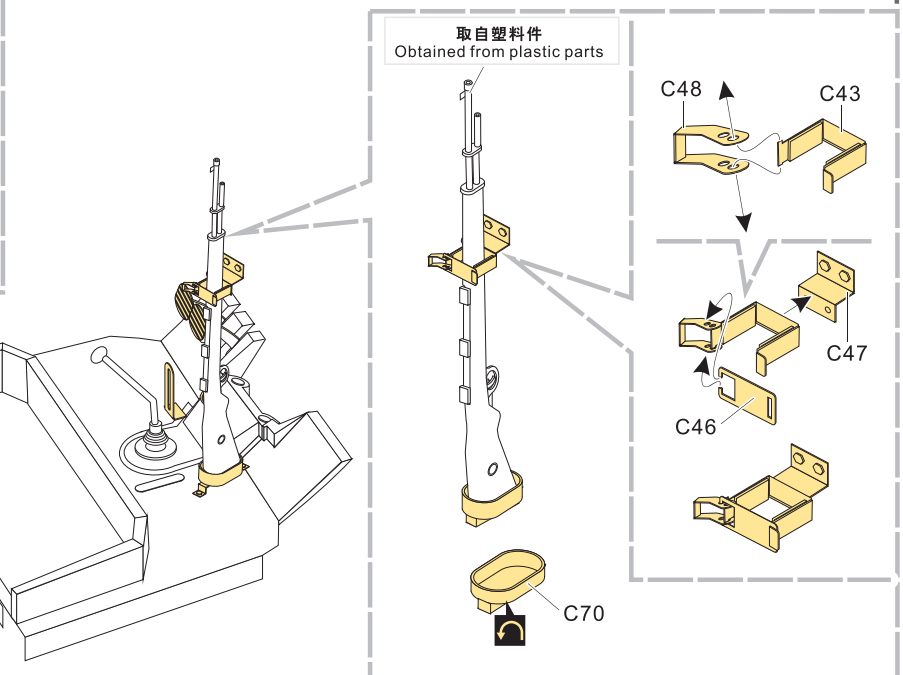
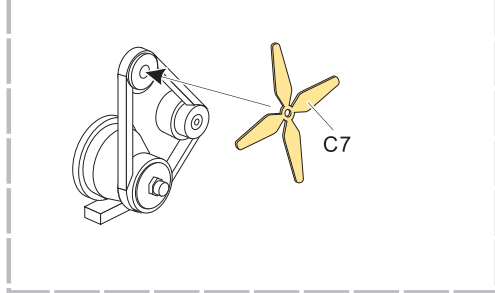
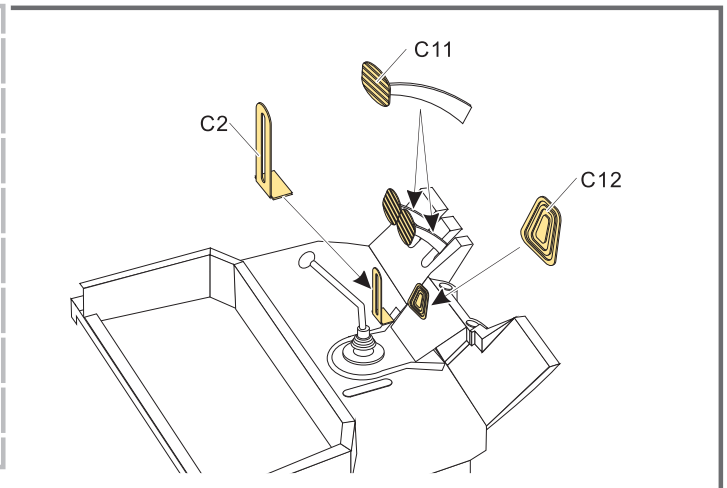
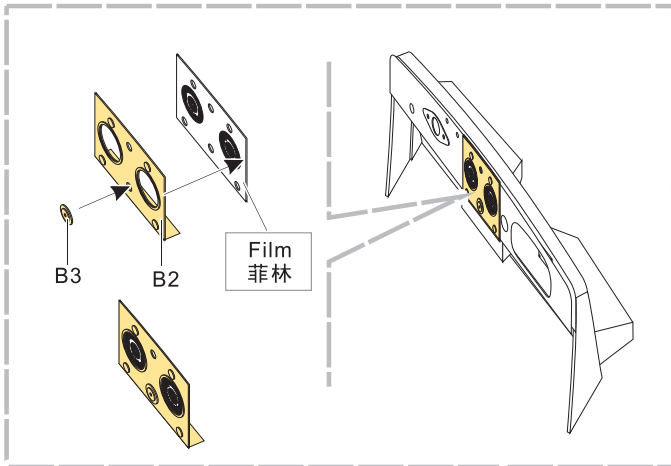


用尖端在凹槽处冲压
use penpoint to press on the dent

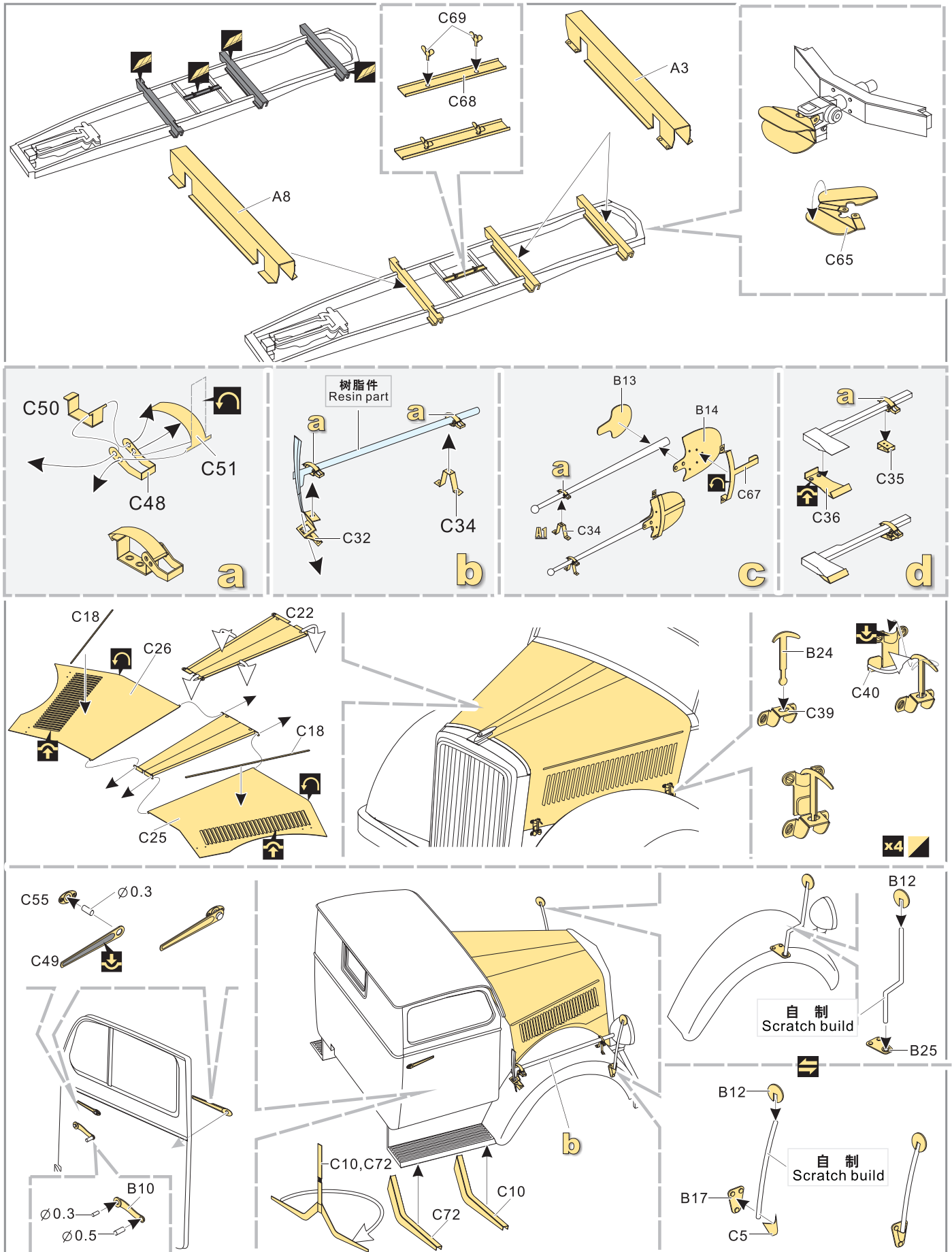
蚀刻片零件内侧面向上
Put the part upside down

用笔尖在凹槽处刮
Use penpoint to press on the dent

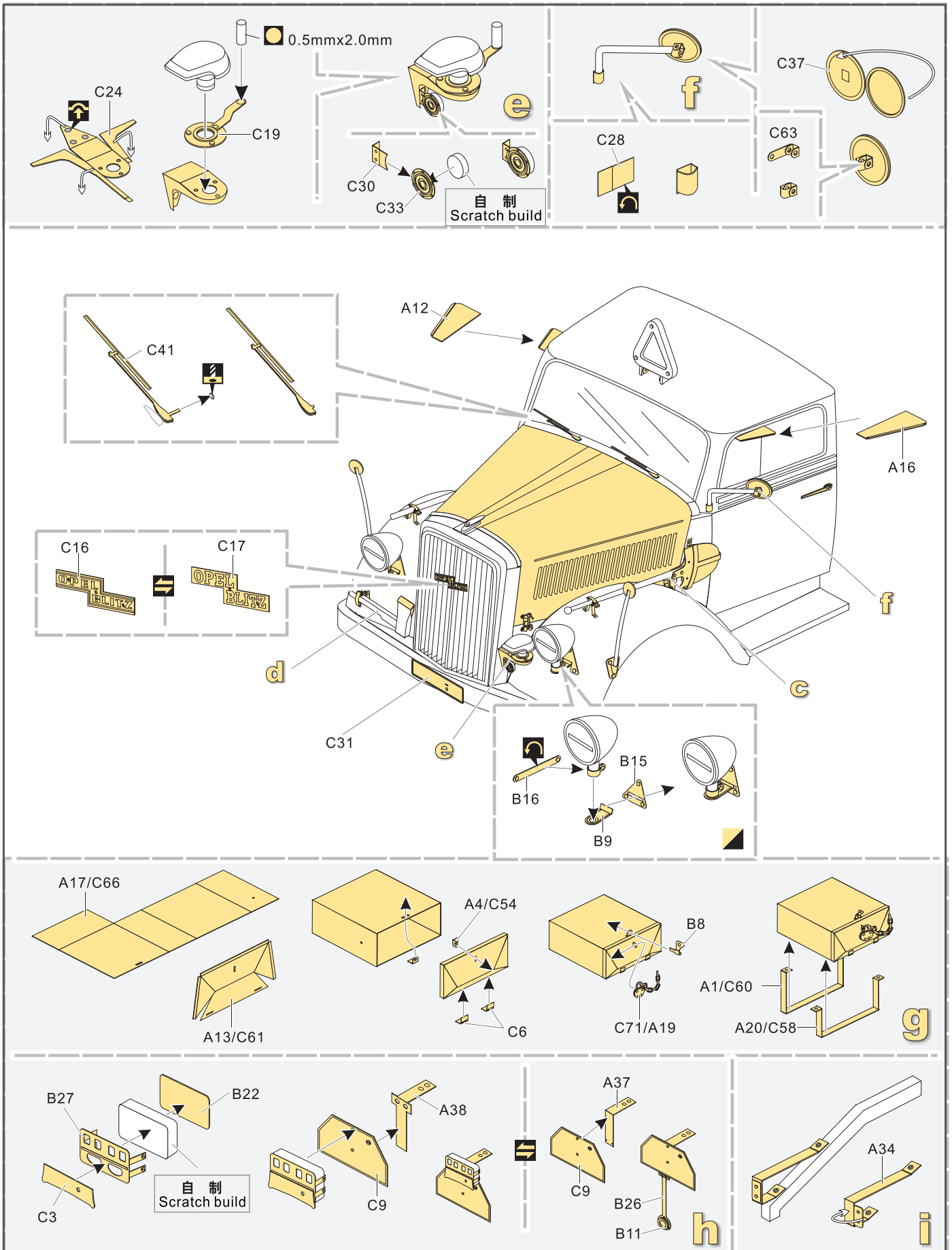
制作线圈
make coil



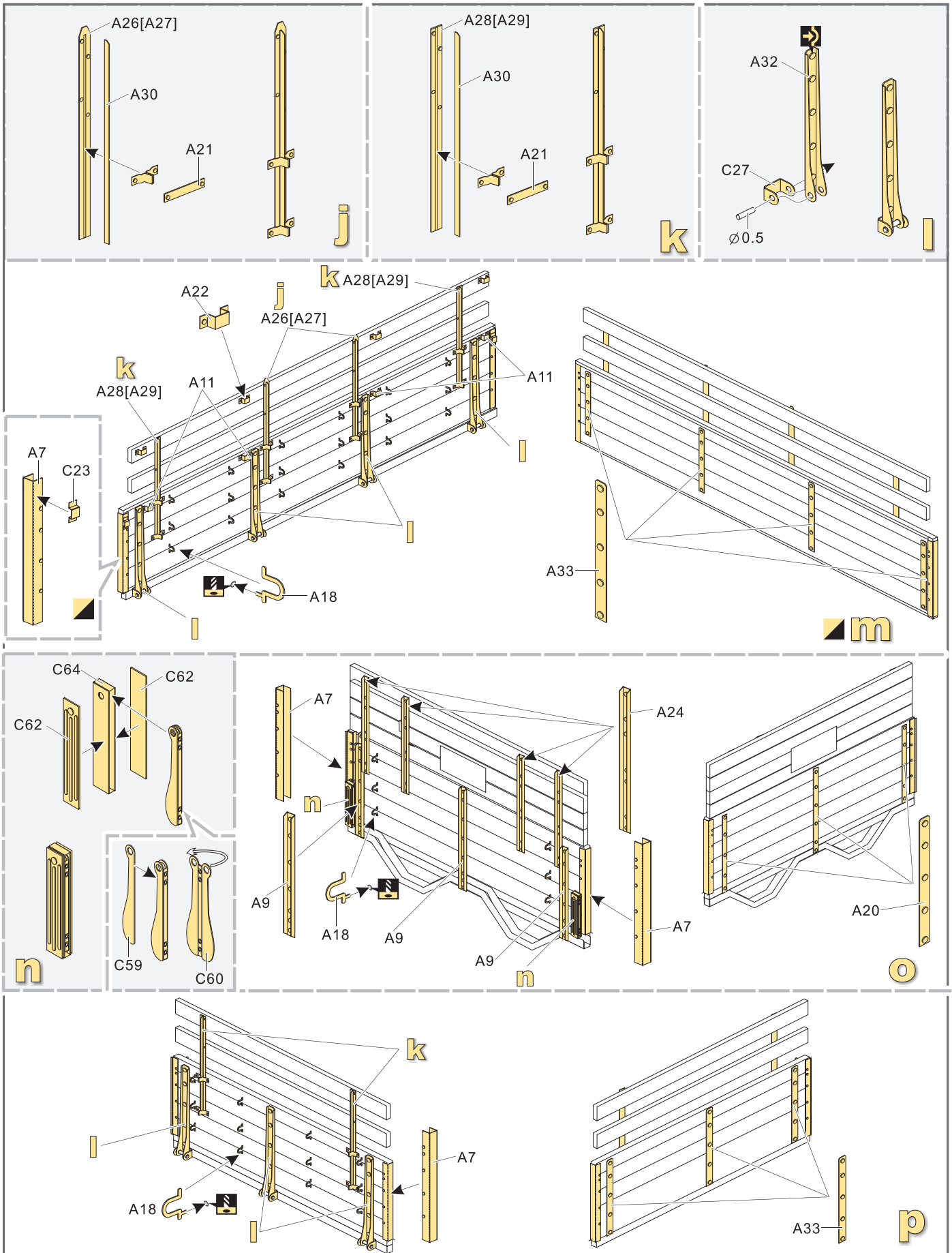
1/35 MILITARY MINIATURE VEHICLE UPGRADE SERIES PE35523



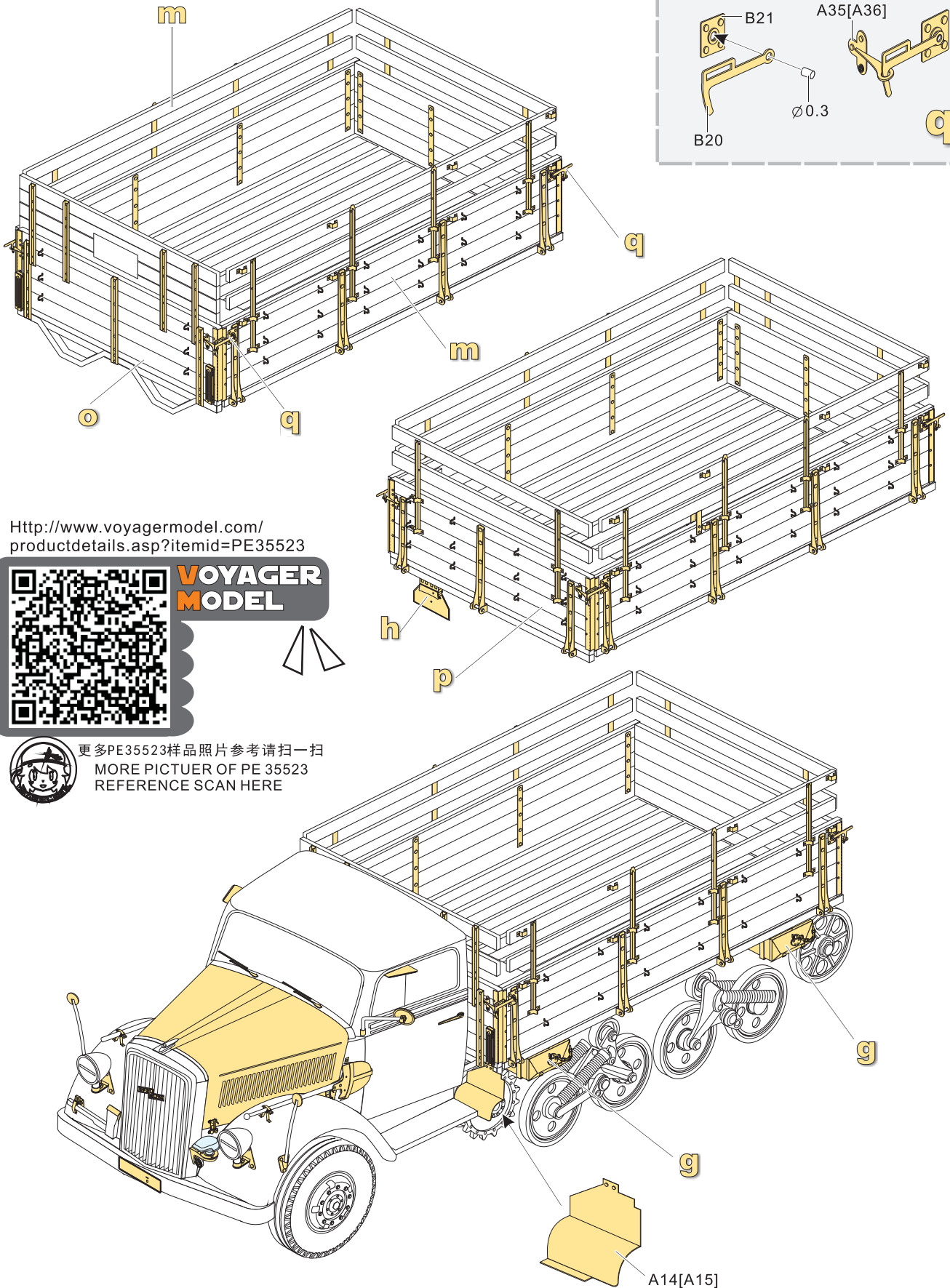
1/35 MILITARY MINIATURE VEHICLE UPGRADE SERIES PE35523



1/35 MILITARY MINIATURE VEHICLE UPGRADE SERIES PE35523



1/35 MILITARY MINIATURE VEHICLE UPGRADE SERIES PE35523



[Http://www.voyagermodel.com/productdetails.asp?itemid=PE35523](http://www.voyagermodel.com/productdetails.asp?itemid=PE35523)



**VOYAGER
MODEL**



更多PE35523样品照片参考请扫一扫
MORE PICTUER OF PE 35523
REFERENCE SCAN HERE