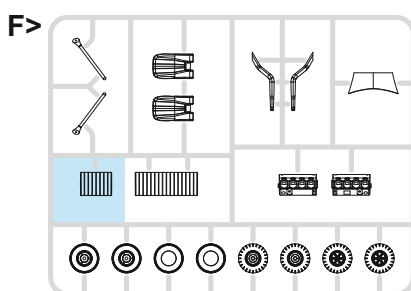
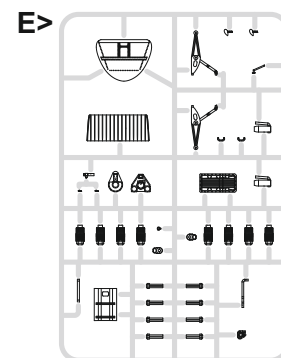
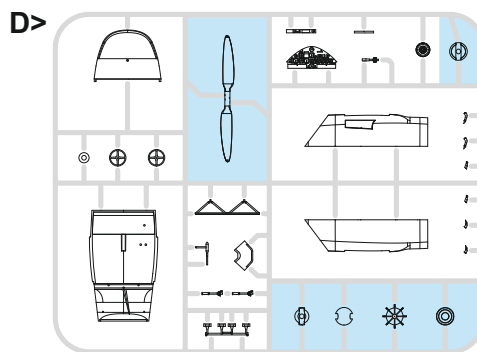
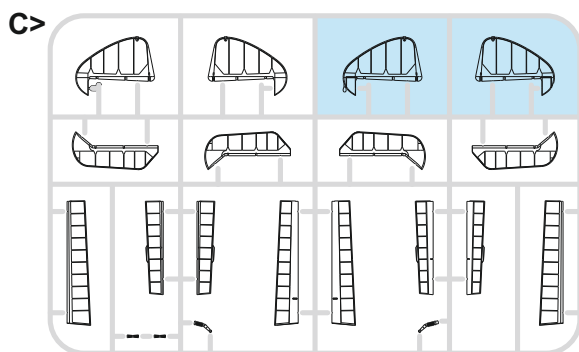
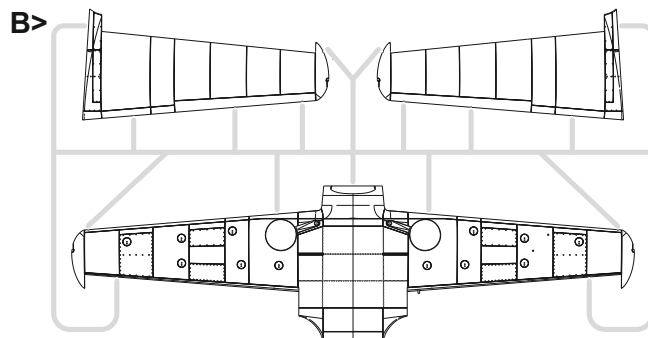
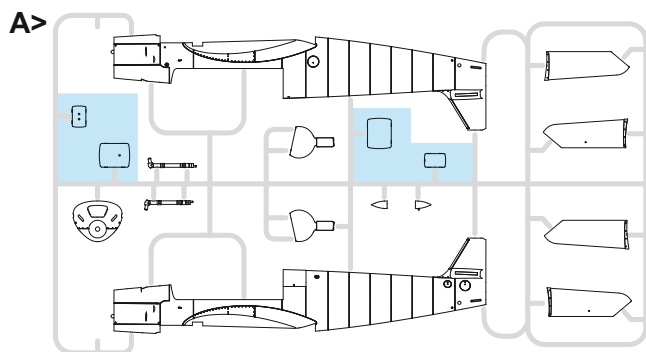


### PLASTIC PARTS



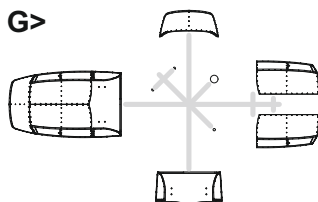
### RP - RESIN PARTS



R1



R2



GSi Creos (GUNZE)		MISSION MODELS	
AQUEOUS	Mr.COLOR	PAINTS	
[H1]	[C1]	[MMP-001]	WHITE
[H2]	[C2]	[MMP-047]	BLACK
[H12]	[C33]	[MMP-047]	FLAT BLACK
[H47]	[C41]	[MMP-012]	RED BROWN
[H64]	[C17]	[MMP-087]	RLM71 DARK GREEN
[H65]	[C18]	[MMP-088]	RLM70 BLACK GREEN
[H67]	[C115]	[MMP-057]	RLM65 LIGHT BLUE
[H70]	[C60]	[MMP-056]	RLM02 GRAY
[H77]	[C137]	[MMP-040]	TIRE BLACK
[H90]	[C47]		CLEAR RED
[H94]	[C138]		CLEAR GREEN
[H303]	[C303]	[MMP-066]	GREEN
[H308]	[C308]	[MMP-073]	GRAY
[H406]	[C406]		CHOCOLATE BROWN
[H413]	[C113]	[MMP-090]	RLM04 YELLOW
[H414]	[C114]	[MMP-003]	RLM23 RED
Mr.METAL COLOR		METALLICS	
[MC214]		[MMM-001]	DARK IRON
[MC218]		[MMM-003]	ALUMINIUM
Mr.COLOR SUPER METALLIC		METALLICS	
[SM206]		[MMC-001]	SUPER CHROME SILVER

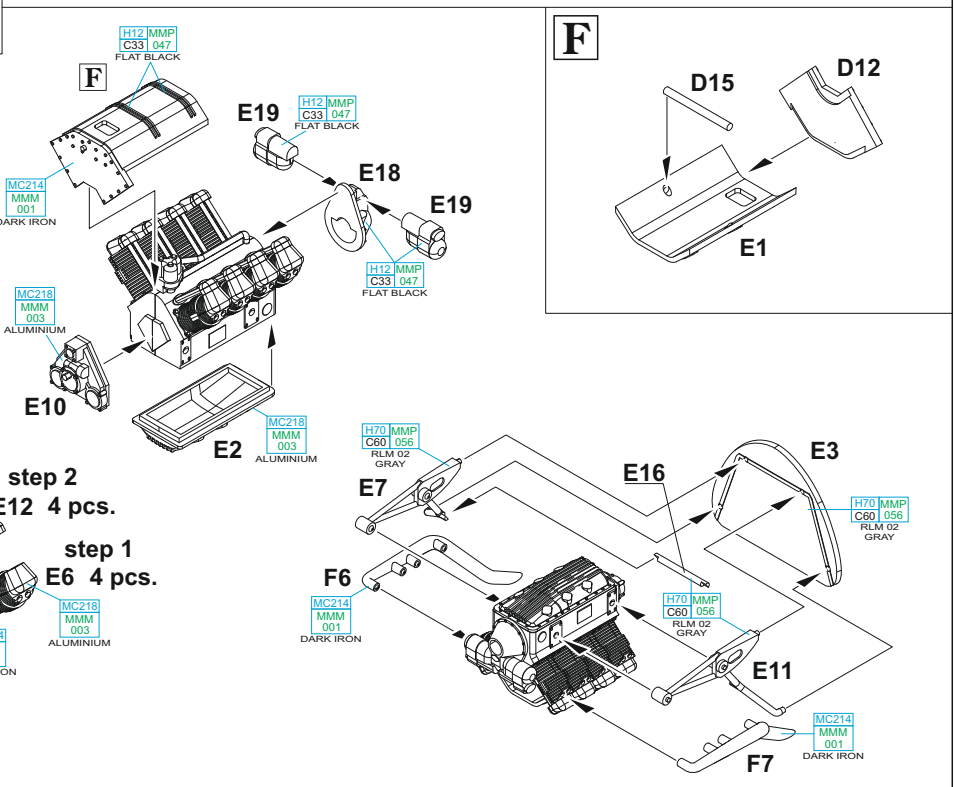
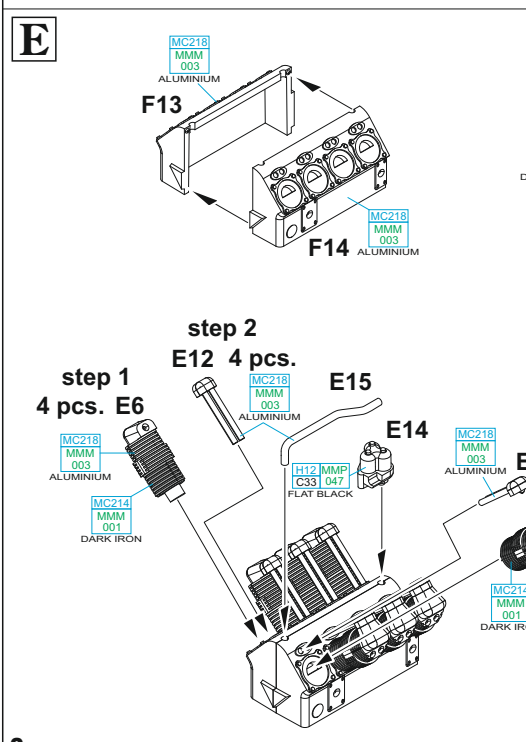
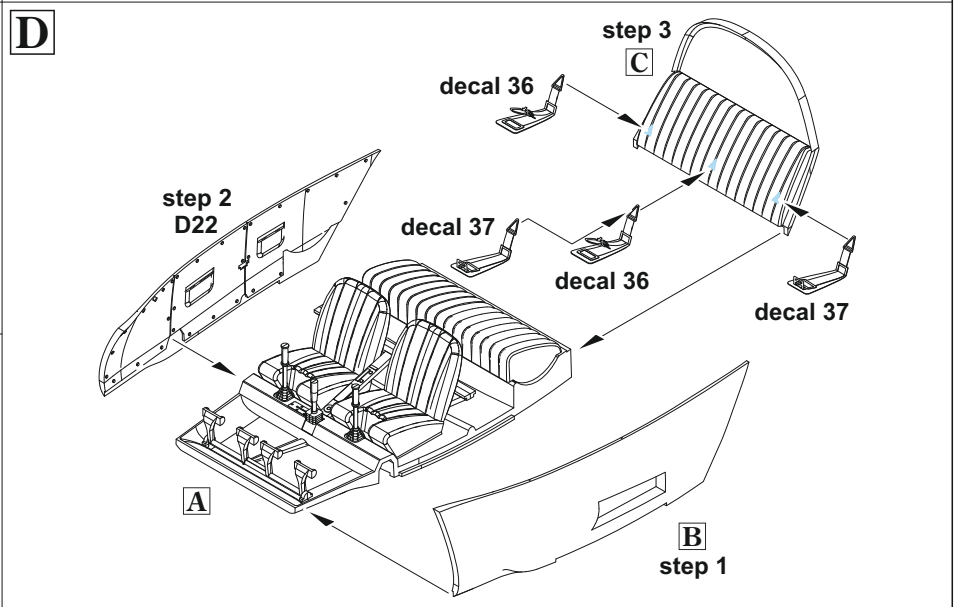
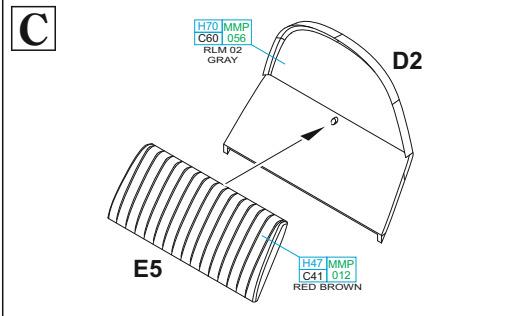
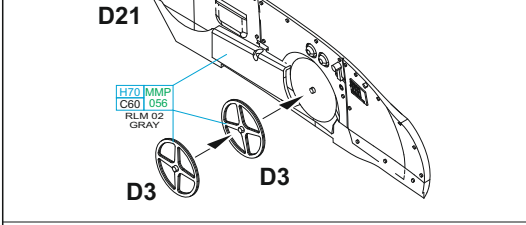
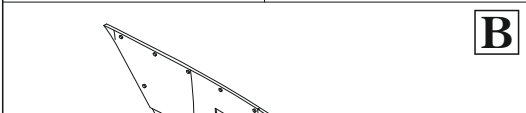
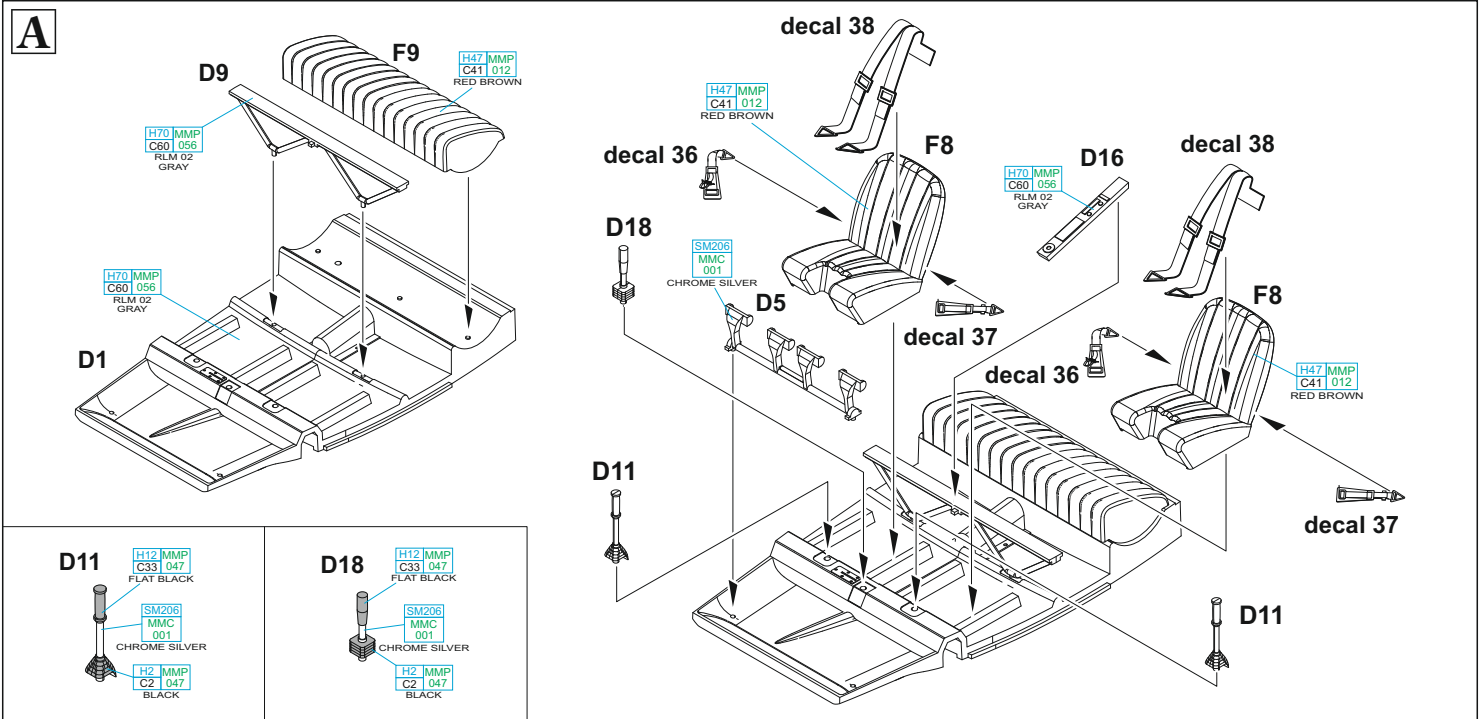
## ATTENTION \* UPOZORNĚNÍ \* ACHTUNG \* ATTENTION

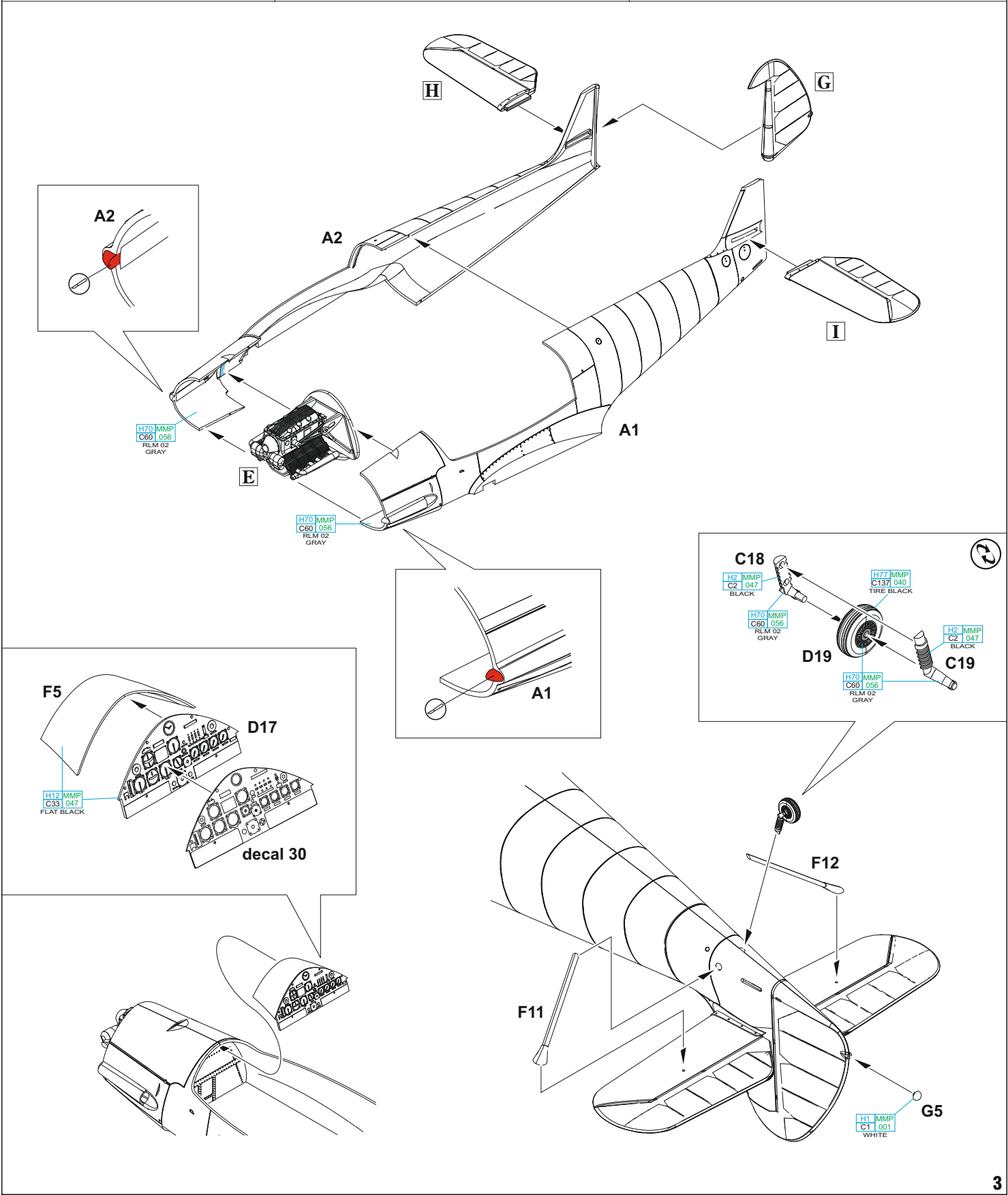
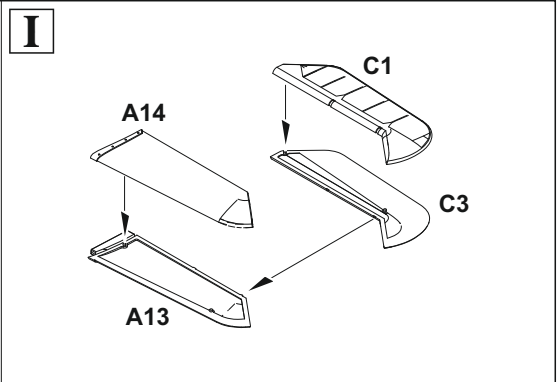
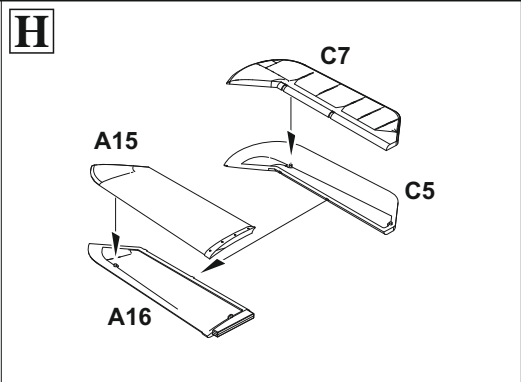
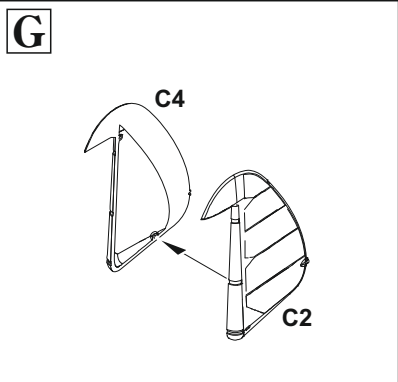
**(GB)** Carefully read instruction sheet before assembling. When you use glue or paint, do not use near open flame and use in well ventilated room. Keep out of reach of small children. Children must not be allowed to suck any part, or pull vinyl bag over the head.

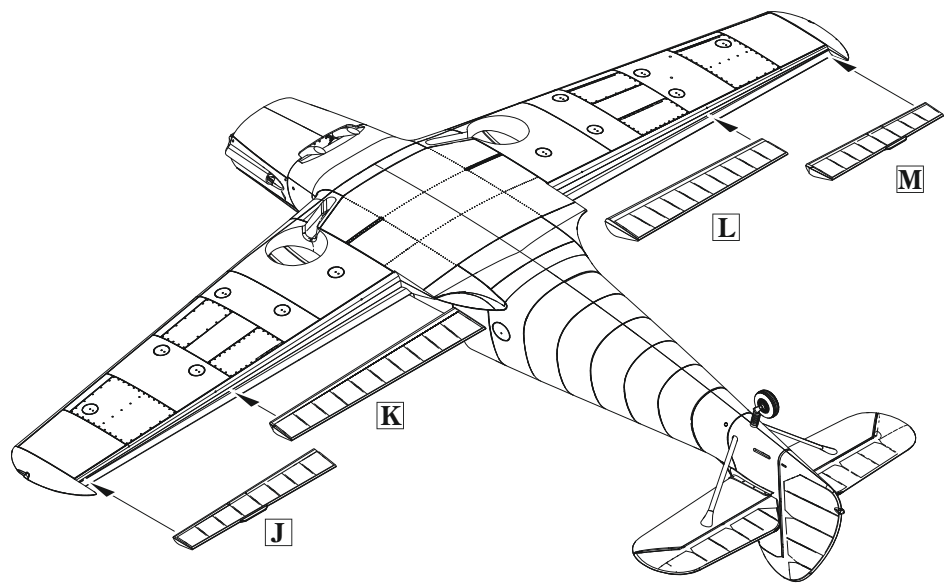
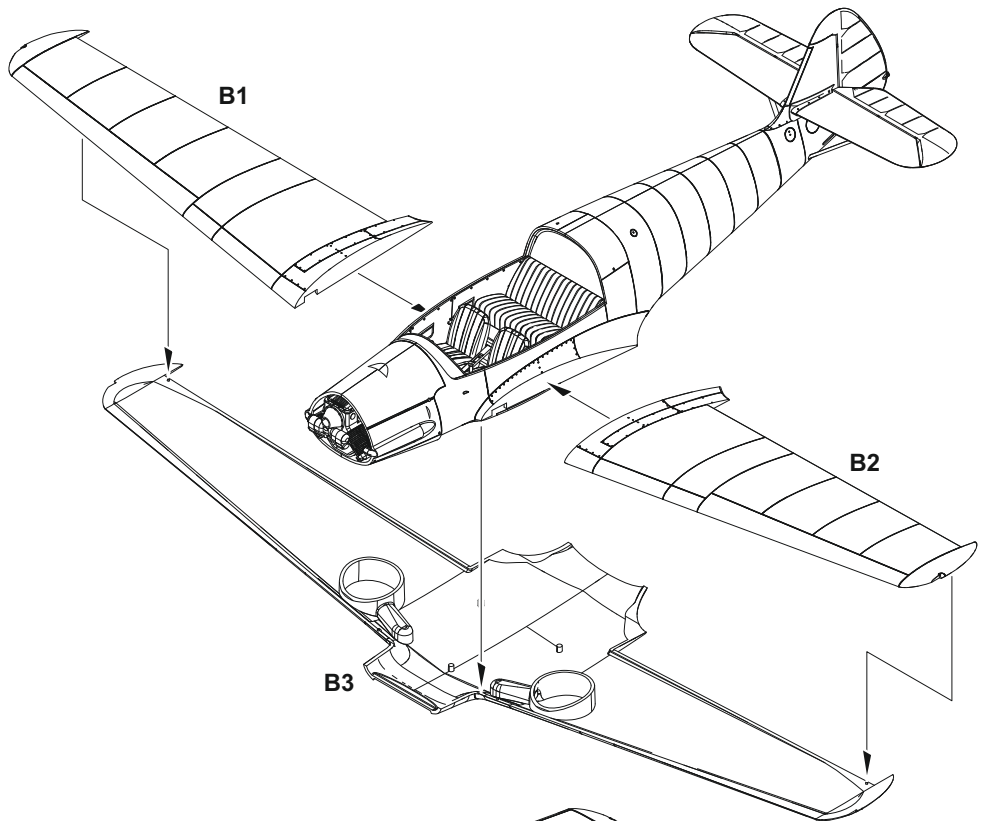
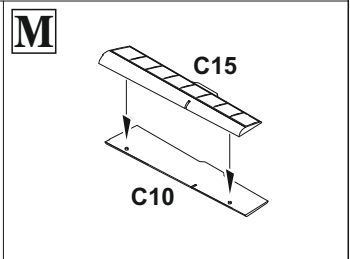
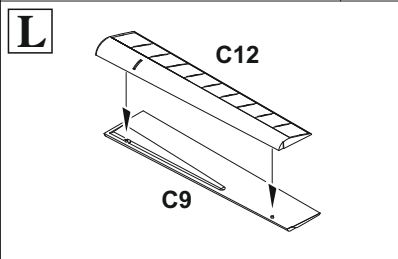
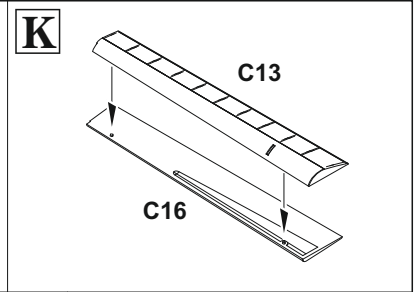
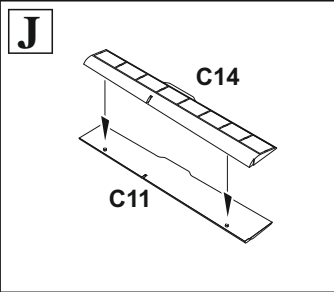
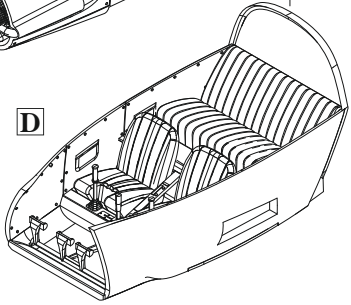
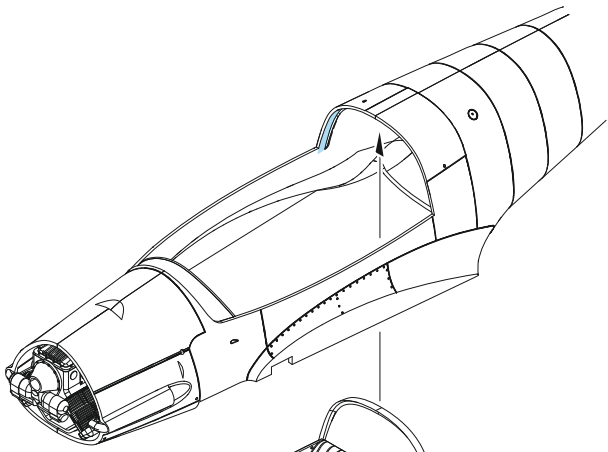
**(CZ)** Před započatím stavby si pečlivě prostudujte stavební návod. Při používání barev a lepidel pracujte v dobře větrané místnosti. Lepidla ani barvy nepoužívejte v blízkosti otevřeného ohně. Model není určen malým dětem, mohlo by dojít k požití drobných dílů.

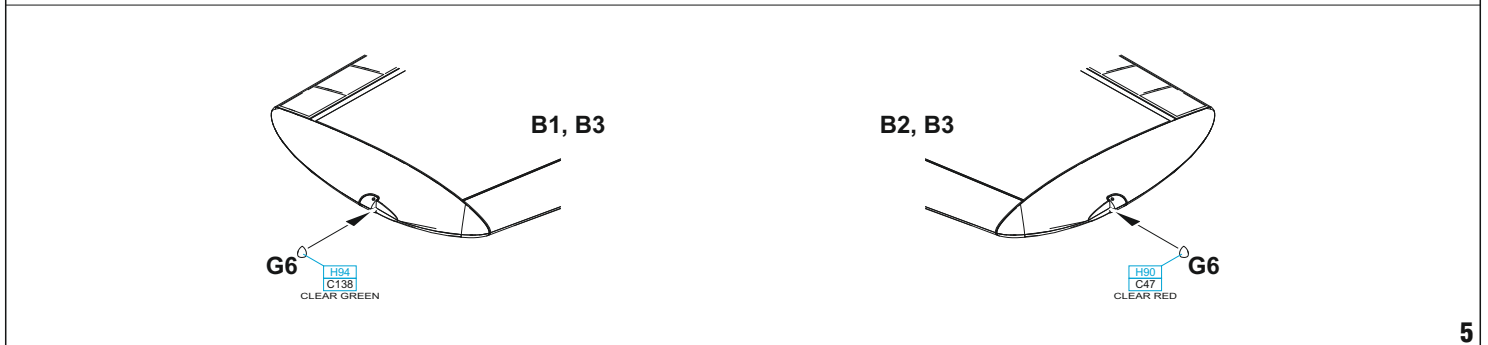
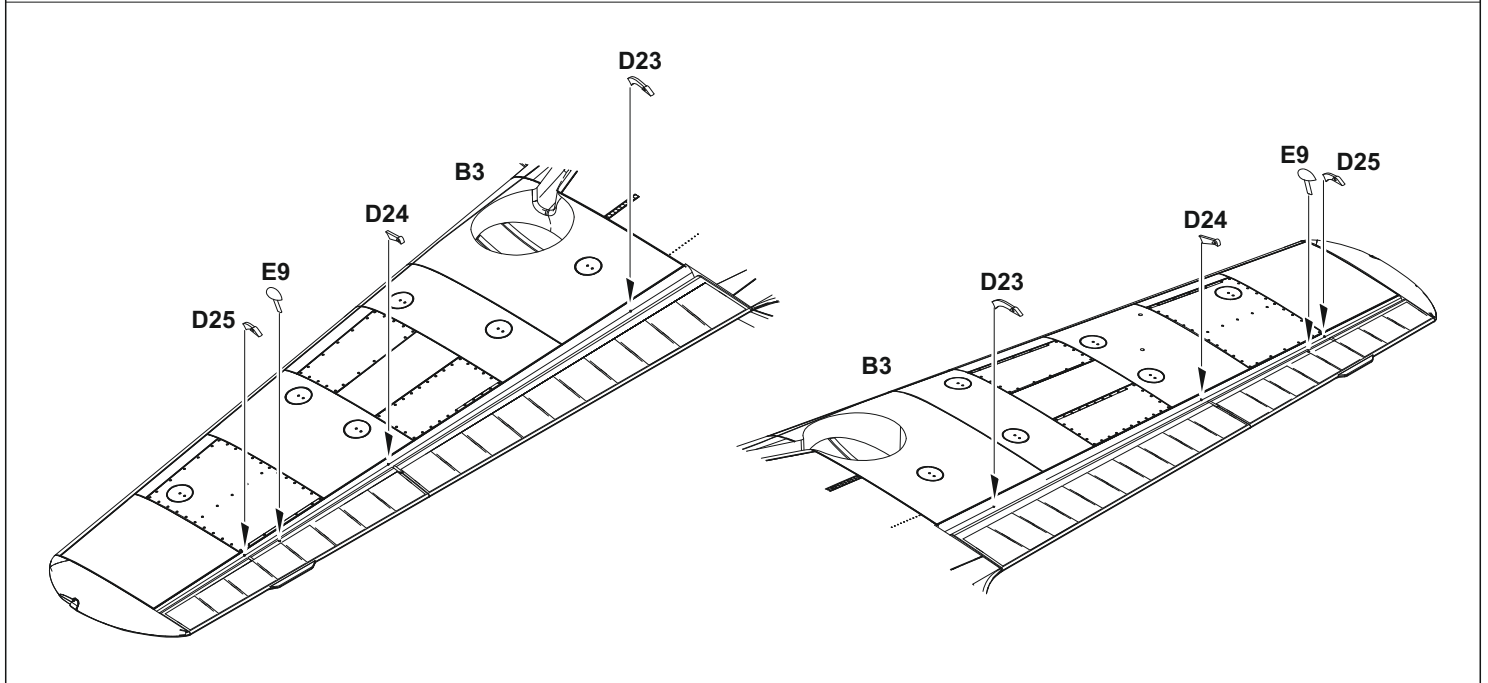
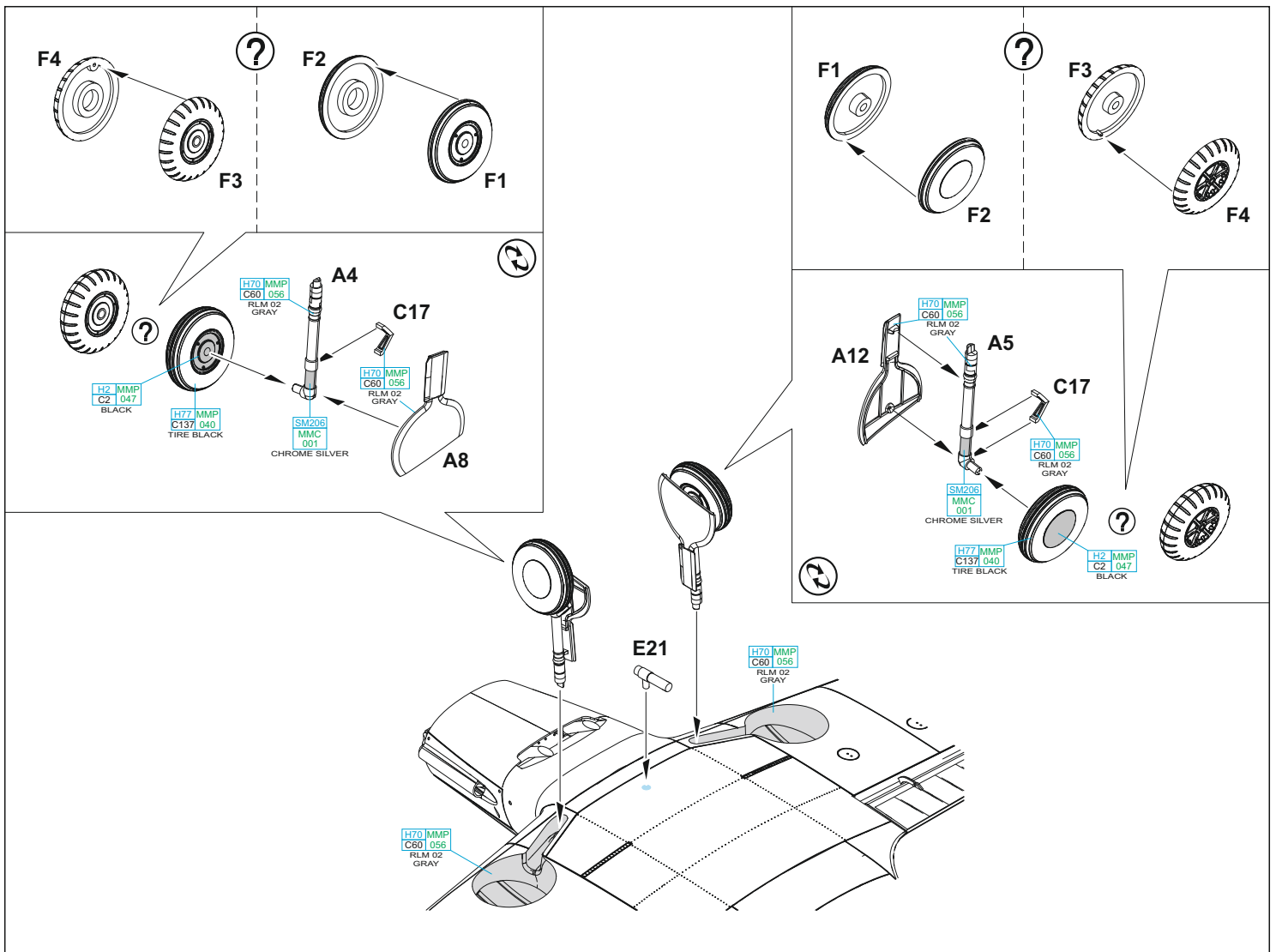
## INSTRUCTION SIGNS \* INSTR. SYMBOLS \* INSTRUKTION SINNBILDEN \* SYMBOLES

- OPTIONAL  
VOLBA
- BEND  
OHNOUT
- SAND  
BROUSIT
- OPEN HOLE  
VYVRTAT OTVOR
- SYMETRICAL ASSEMBLY  
SYMETRICKÁ MONTÁŽ
- REMOVE  
ODŘÍZNOUT
- REVERSE SIDE  
OTOČIT
- APPLY EDUARD MASK  
AND PAINT  
POUŽIT EDUARD MASK  
NABARVIT

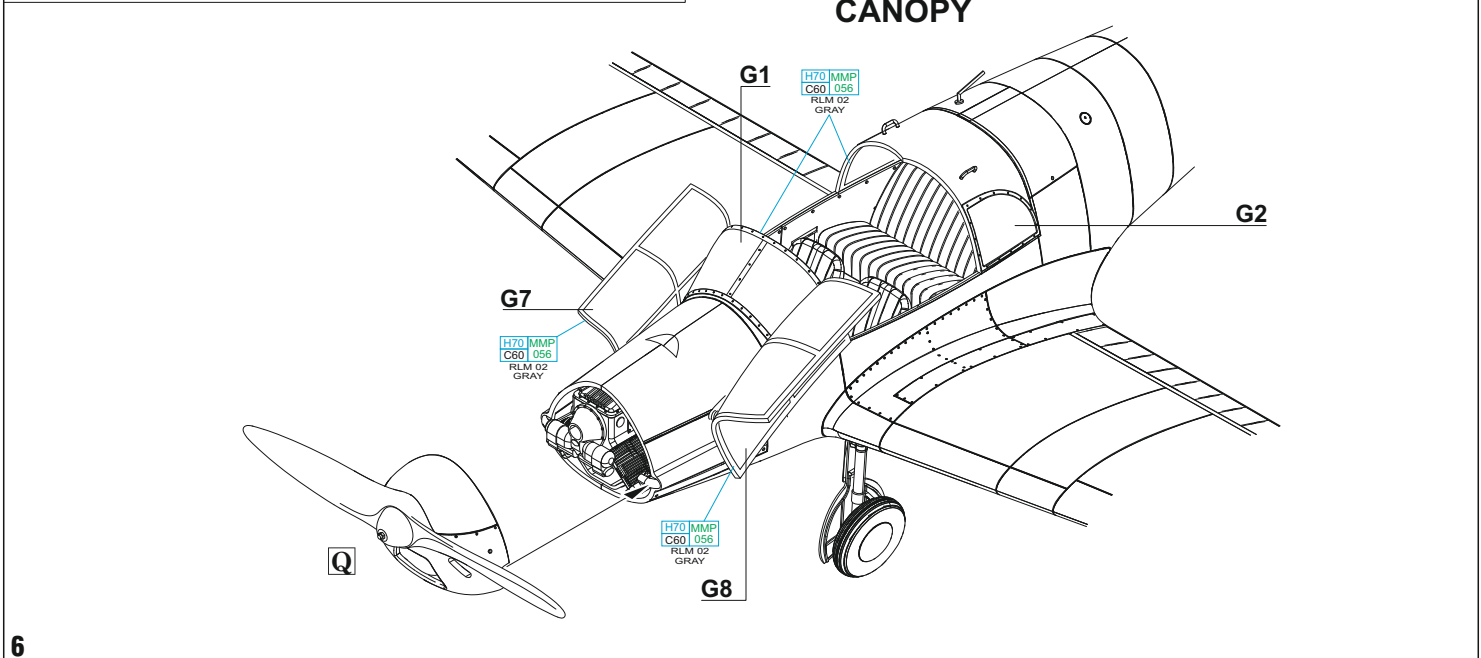
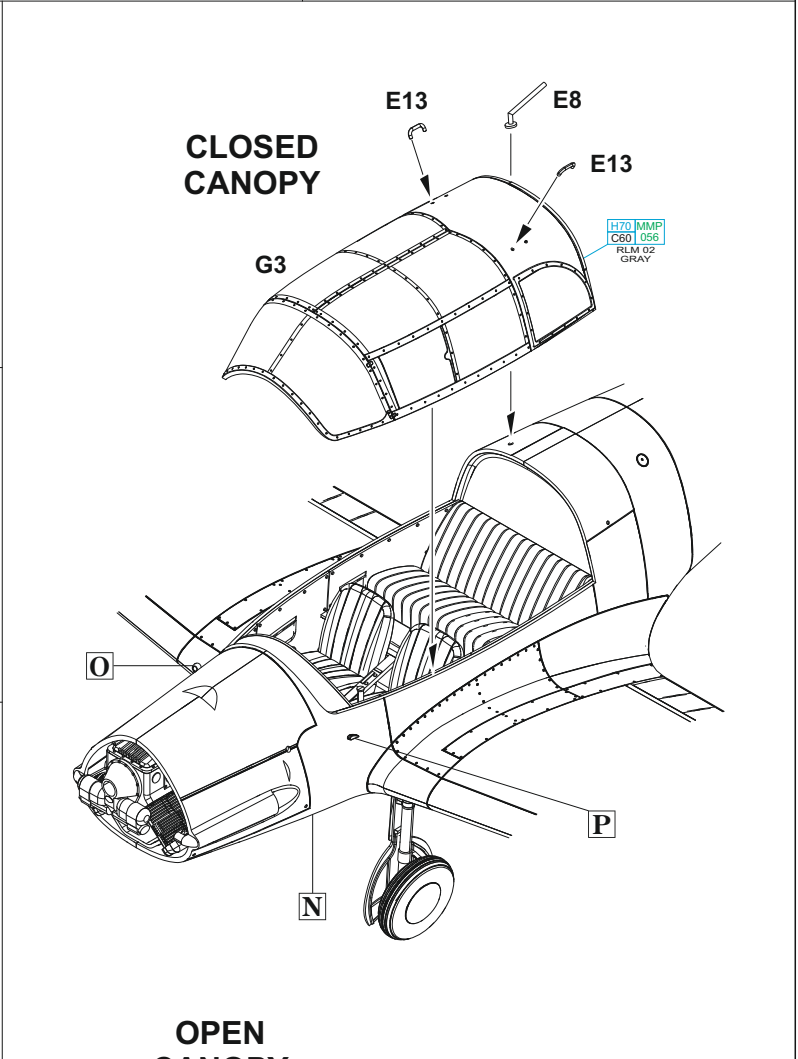
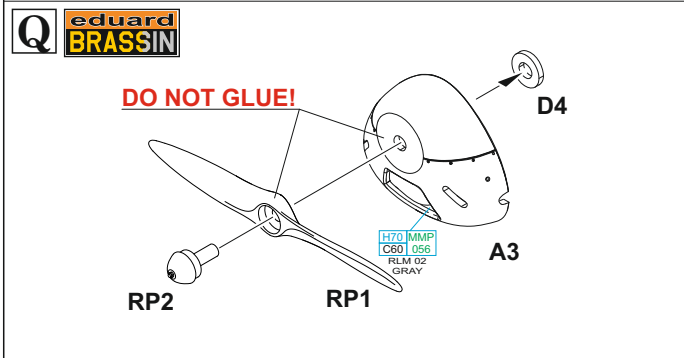
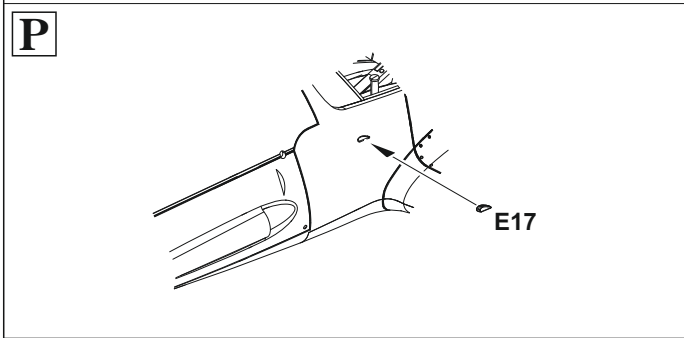
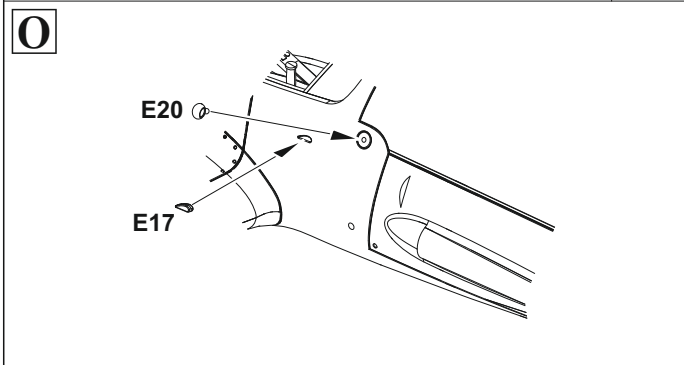
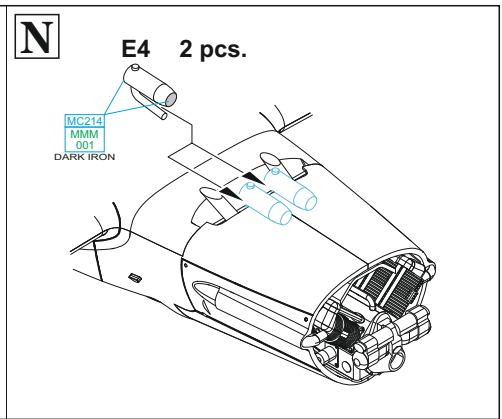
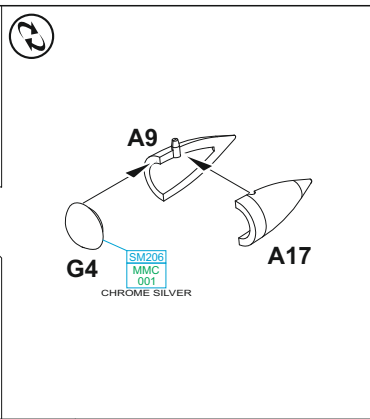
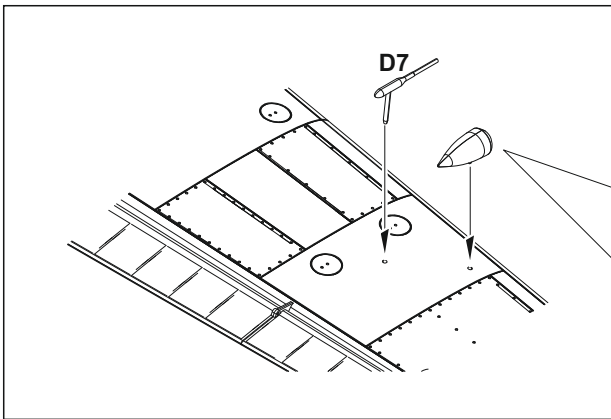






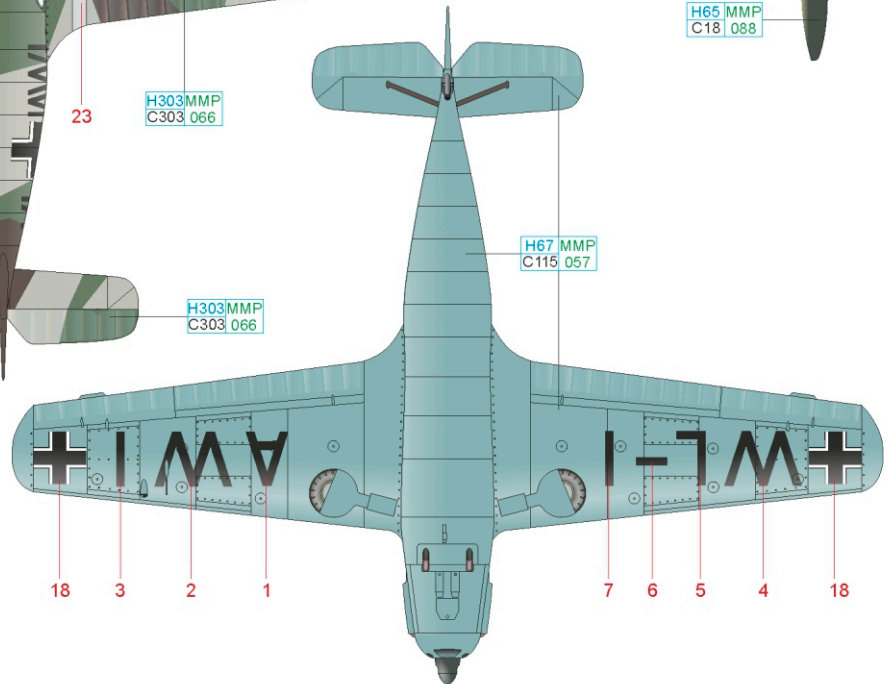
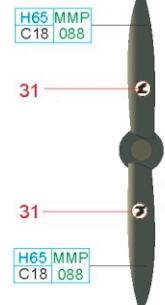
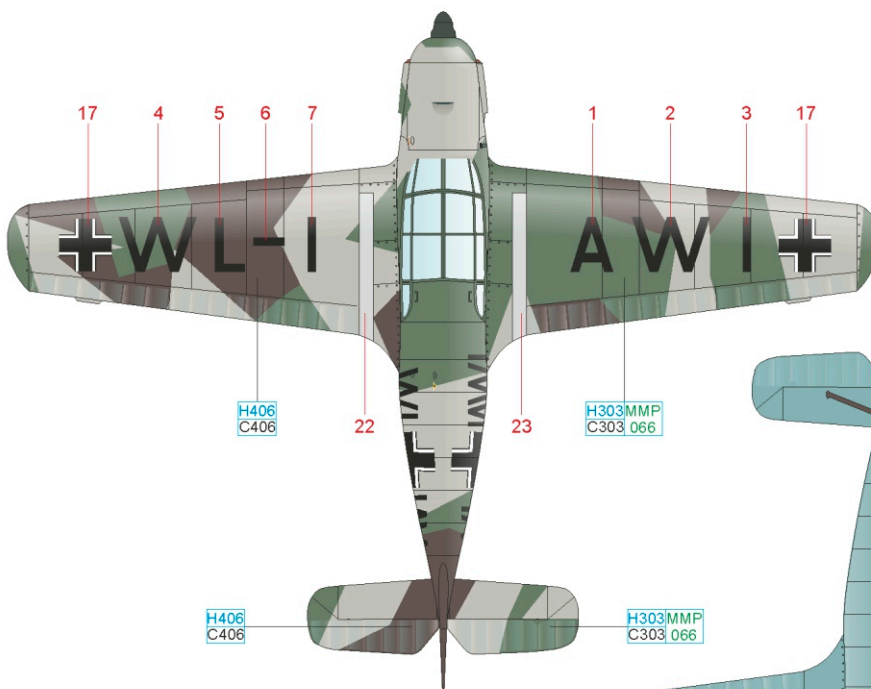
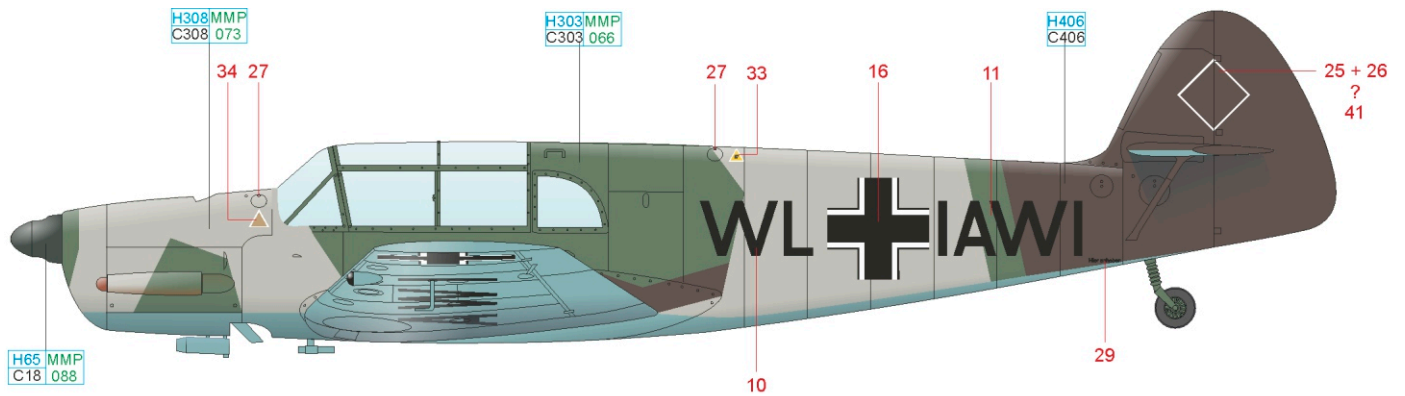




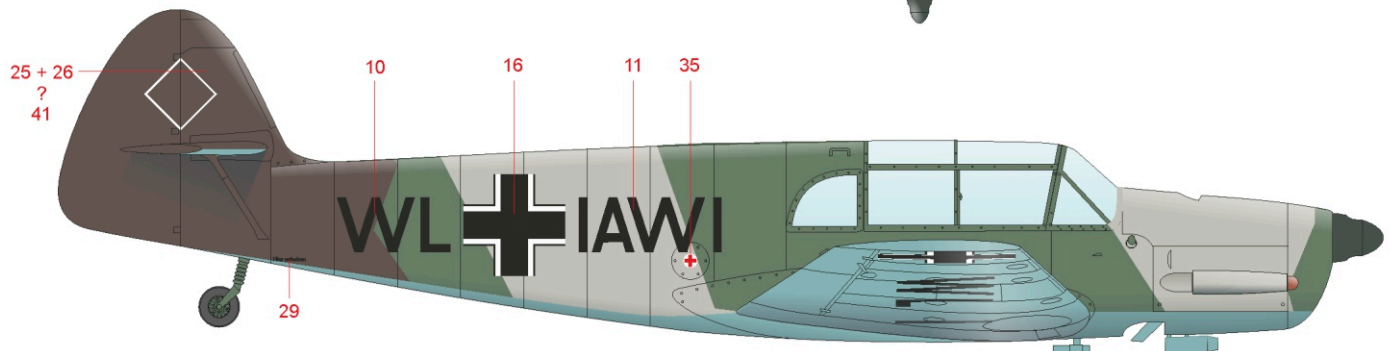


# A Germany, September 1939

The German pre-war colors were used to camouflage this Taifun. Upper surfaces are painted RLM 61, RLM 62 and RLM 63 colors, the undersides are RLM 65. The new camouflage was painted over the original factory colors thus the stenciling is not visible.



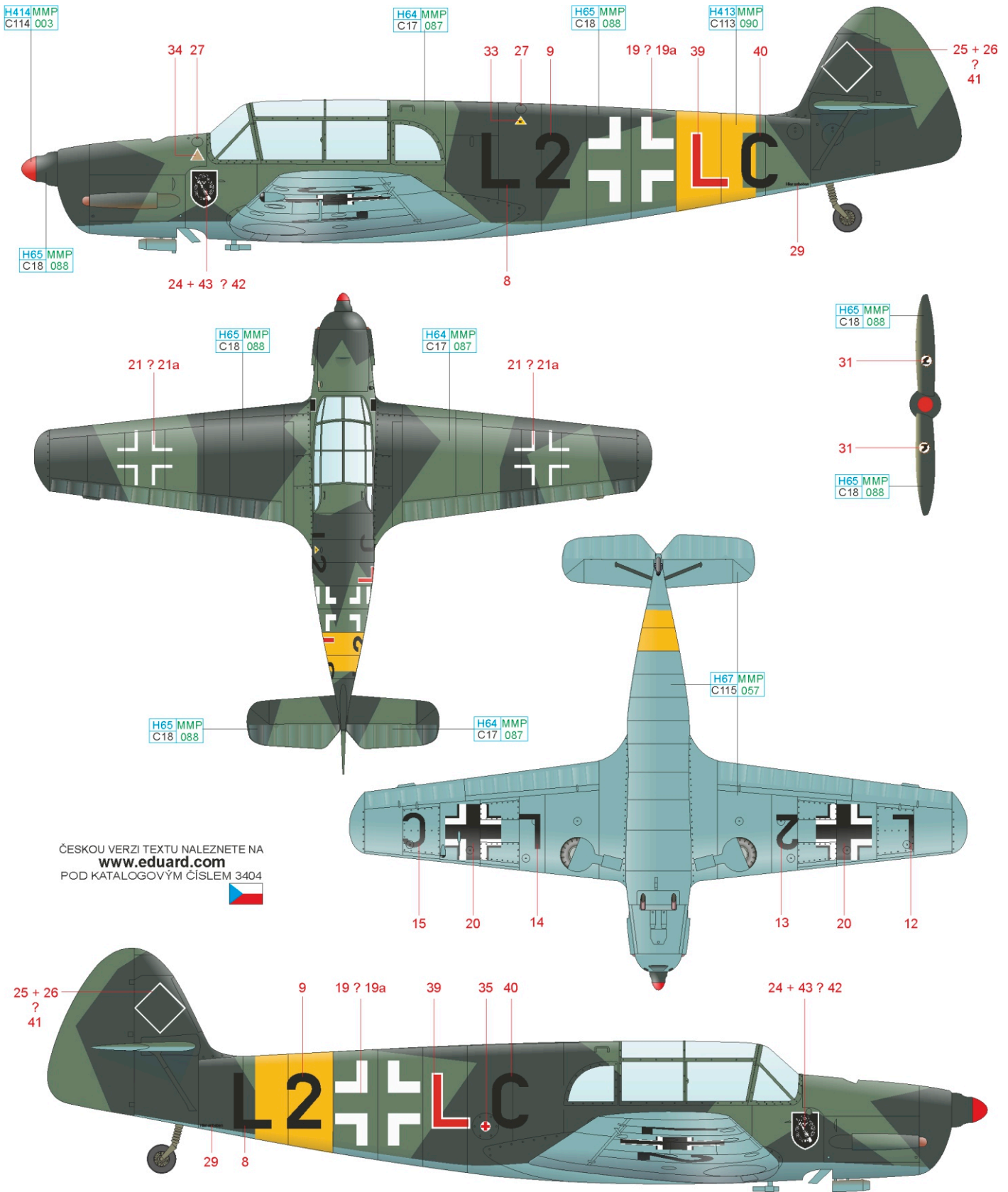
ČESKOU VERZI TEXTU NALEZNETE NA  
[www.eduard.com](http://www.eduard.com)  
 POD KATALOGOVÝM ČÍSLEM 3404



GREY	H308MMP C308 073	GREEN	H303MMP C303 066	RLM 65	H67 MMP C115 057	BROWN	H406 C406
RLM 70	H65 MMP C18 088						

# B WNr. 178, Stab II.(Schl.)/LG 2, Vyerdino airfield, Soviet Union, July 1941

During July 25th and 26th, 1941 several Hs 123 from II. (Schlacht) Gruppe Lehrgeschwader 2 attempted to land at Vyerdino airfield in Smolensk region. Due to the soft surface caused by a summer storm five Henschels were damaged. It was not the only non-combat loss suffered by this unit. Another aviator who lost control of the airplane in muddy terrain was a pilot of the headquarters' liaison Bf 108 whose landing resulted in an accident representing 20% aircraft damage. Liaison Taifun was camouflaged in RLM 70 and 71 on the upper and side surfaces with the lower surfaces in RLM 65 sporting a yellow stripe on the fuselage tail indicating the aircraft assigned to Eastern Front. There is a so-called Infanteriesturmabzeichen painted behind the engine cowling, common marking on all aircraft that belonged to the close support air units. The tip of the propeller spinner is probably in the same color as an individual aircraft letter "L" i.e. red.



ČESKOU VERZI TEXTU NALEZNETE NA  
[www.eduard.com](http://www.eduard.com)  
 POD KATALOGOVÝM ČÍSLEM 3404



RED	H414 MMP C114 003
RLM 70	H65 MMP C18 088
RLM 71	H64 MMP C17 087
RLM 65	H67 MMP C115 057
RLM 04	H413 MMP C113 090