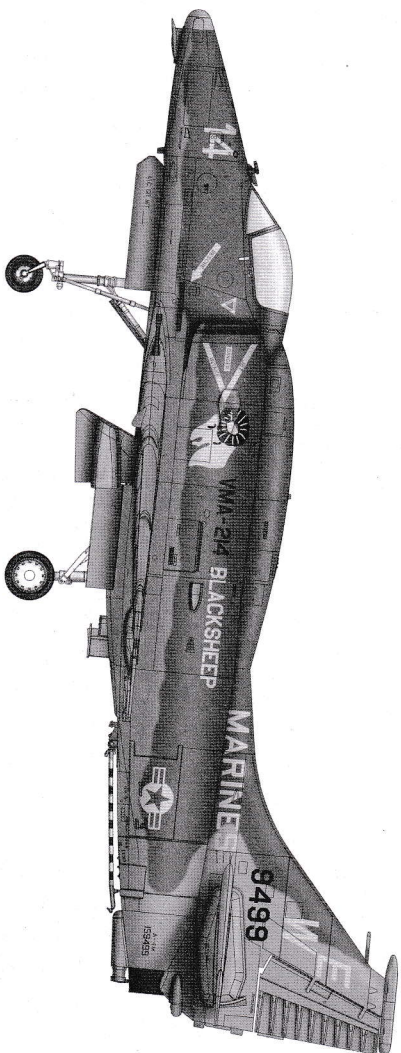


1:48 Scale

Item No.:81766



# A-4M SKY HAWK

## A-4M スカイホーク A-4M “天鷹”攻击机

### PLEASE READ BEFORE OPERATION!

\* Tools recommended as below: (Not included)

Adhesives: Paints; Side Cutters; Sharp Edged Pliers; Modeling Knife; Modeling File; Nippers; Drill; Scissors; Sand Paper; Soft Cloth; Cyanoacrylate Glue.


- \* Make sure to read this instruction listed below before assembling.
- \* The kit contains the small parts, they can be dangerous if swallowed by mistake, so keep them away from reach of children.
- \* Cut the all parts off carefully and remove the waste parts into the garbage can.
- \* More caution and care should be needed for cutting and handling the photo etched parts.
- \* Make attention that some parts should be attached the decal when assembled.
- \* During assembling, please tear up and throw away the plastic bags, or may cause the dangerous if wearing over head by children's mistake.
- \* When using the adhesives and paints, please do not use them in the closed room or near the fire, also must be very careful to protect your eyes, face and clothes.
- \* Adult supervised when assembled by children under 14 years old.

### 装配前请仔细阅读:

- \* 推荐使用的模型工具(请自备): 专用模型胶水, 专用模型油漆, 水口剪刀, 长钳钳, 刀片, 镊子钳, 钻, 剪刀, 软布, 砂纸, 瞬间快干胶等。
- \* 用水口剪刀或刀片小心切下所有塑胶零件和蚀刻片零件, 不要遗失小零件。
- \* 切取蚀刻片时应特别注意防止利边划伤手指。
- \* 用模型镊刀小心锉平所有零件表面的注射浇口。
- \* 用适量的强力快干胶水粘合蚀刻片零件和金属轴, 切忌过量, 否则可能导致可动零件被粘住。
- \* 注意某些零件表面需在装配时同步贴上水贴纸。
- \* 制作时应远离幼儿并将包装袋及时收妥, 谨防小孩玩耍而引起意外。

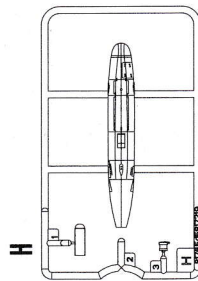
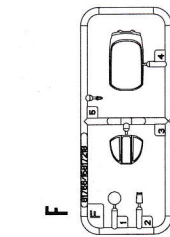
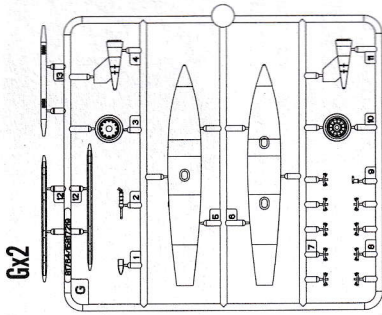
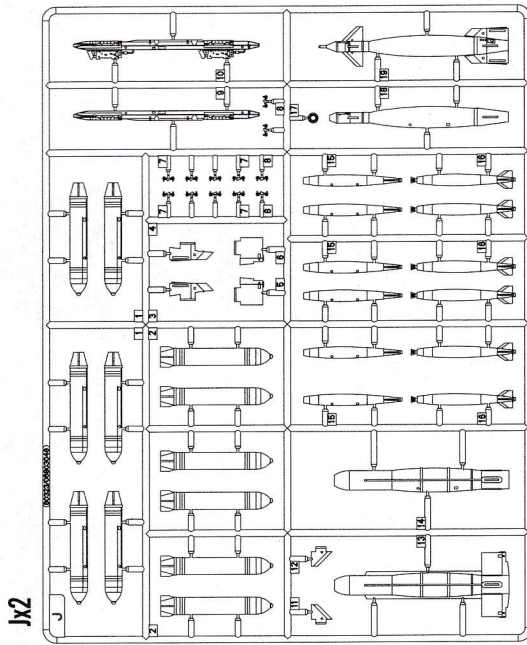
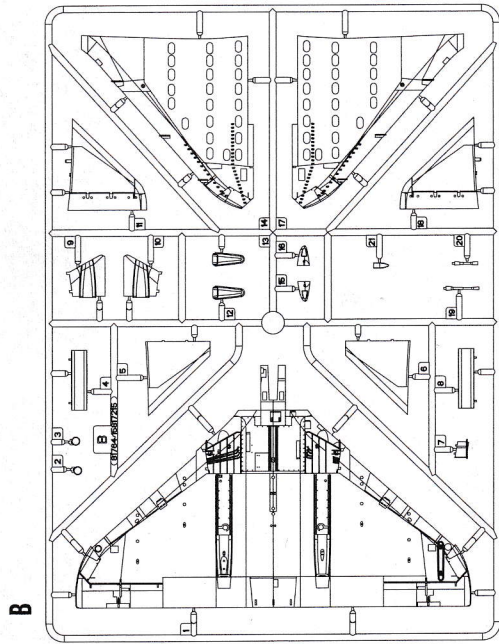
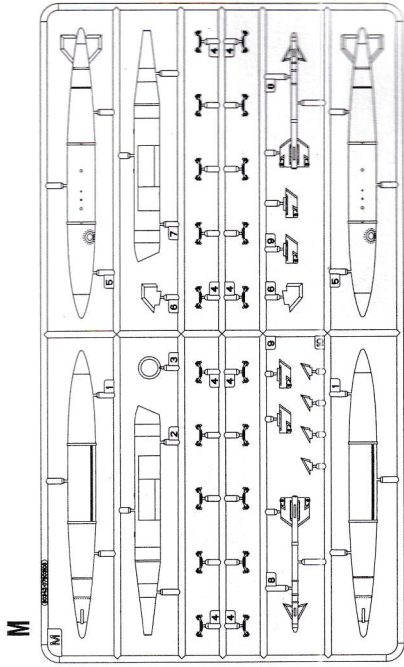
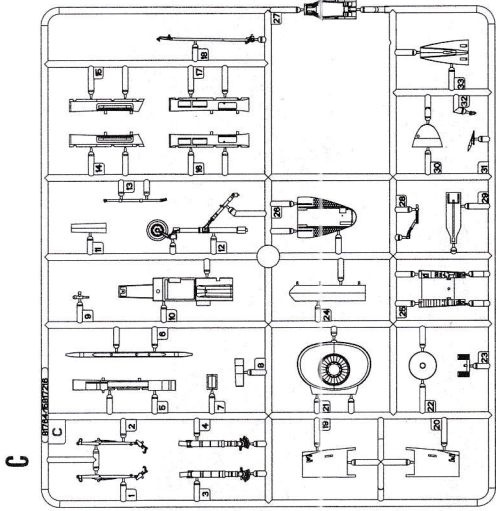
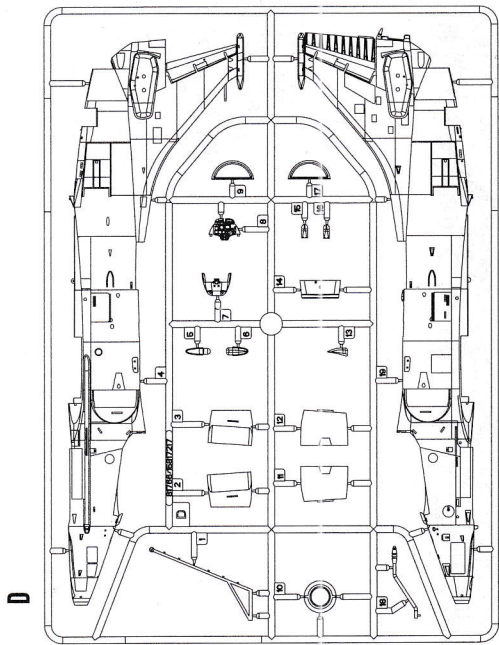
### The method to apply the decals

1. Cut off the decal from the decal paper and put it into the warm water 40℃ for 10 seconds.
  2. Take the decal from the water and put it on a piece of clean cloth.
  3. Remove the decal slowly from the paper to the targeted location by a wet finger.
  4. Use a piece of dry and soft cloth to press it gently on the decal until it getting dry and no bubble existing.
- 水贴纸的使用方法:**
- 一. 把相关的印花从水贴纸上剪下, 放入40℃左右的温水中浸10秒。
  - 二. 然后将印花放在干净的布上。
  - 三. 拿上印花纸板, 手指蘸水将印花移到适当的位置。
  - 四. 用软干布轻压印花直至水干, 气泡消失。

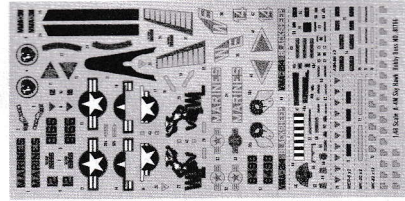
- |   |   |   |   |  |   |   |   |   |   |
|---|---|---|---|--|---|---|---|---|---|
|  |  |  |  |  |  |  |  |  |  |
| cyanoacrylate glue<br>强力胶   | weight<br>配重  | make hole<br>钻孔   | cut / remov<br>切除   | option<br>选择   | no cement<br>不涂胶水   | decal<br>贴纸   | bend<br>弯曲  | repair<br>填补  | install it first<br>先装  |



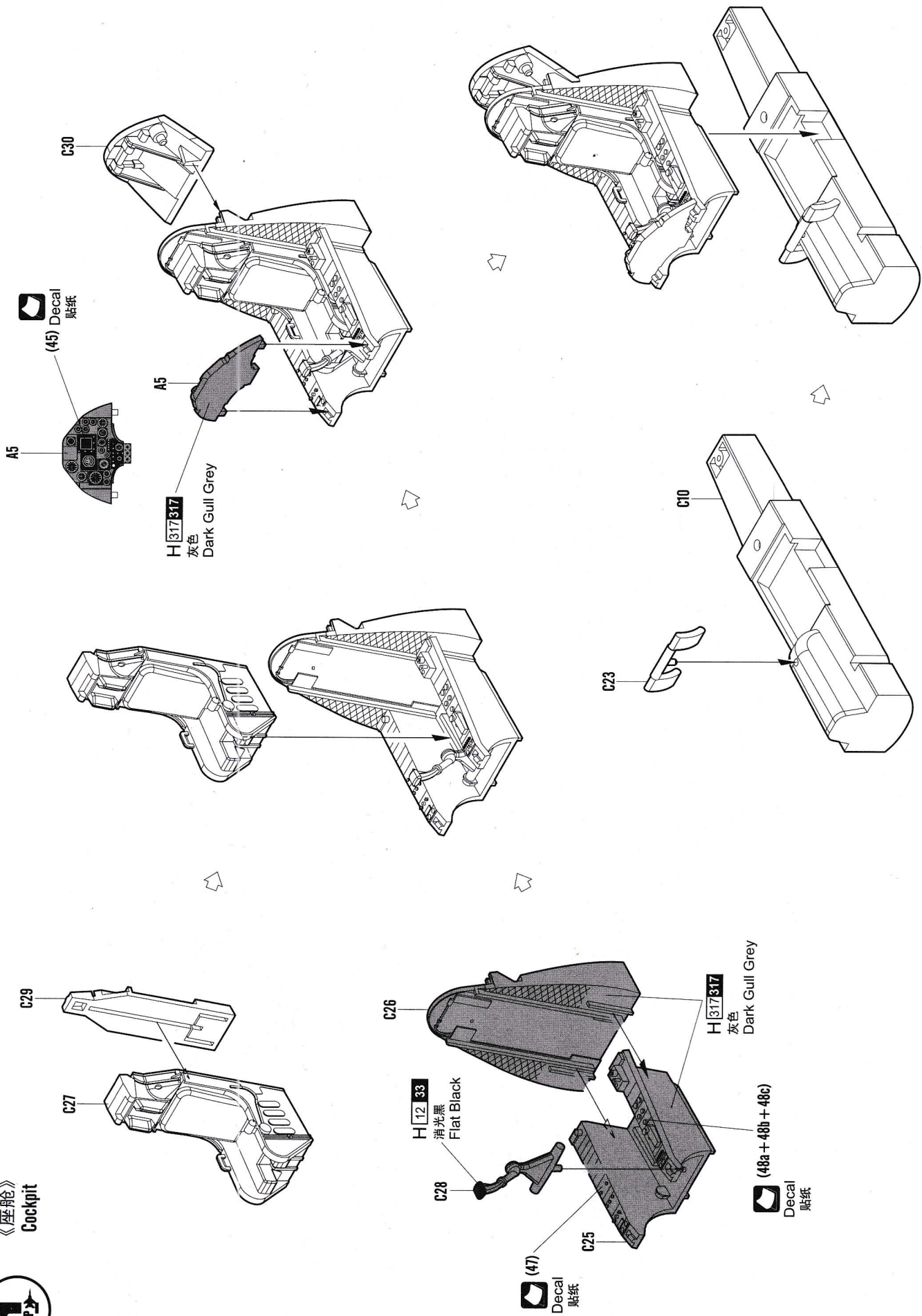
部品图 Parts



《水贴》  
Decal



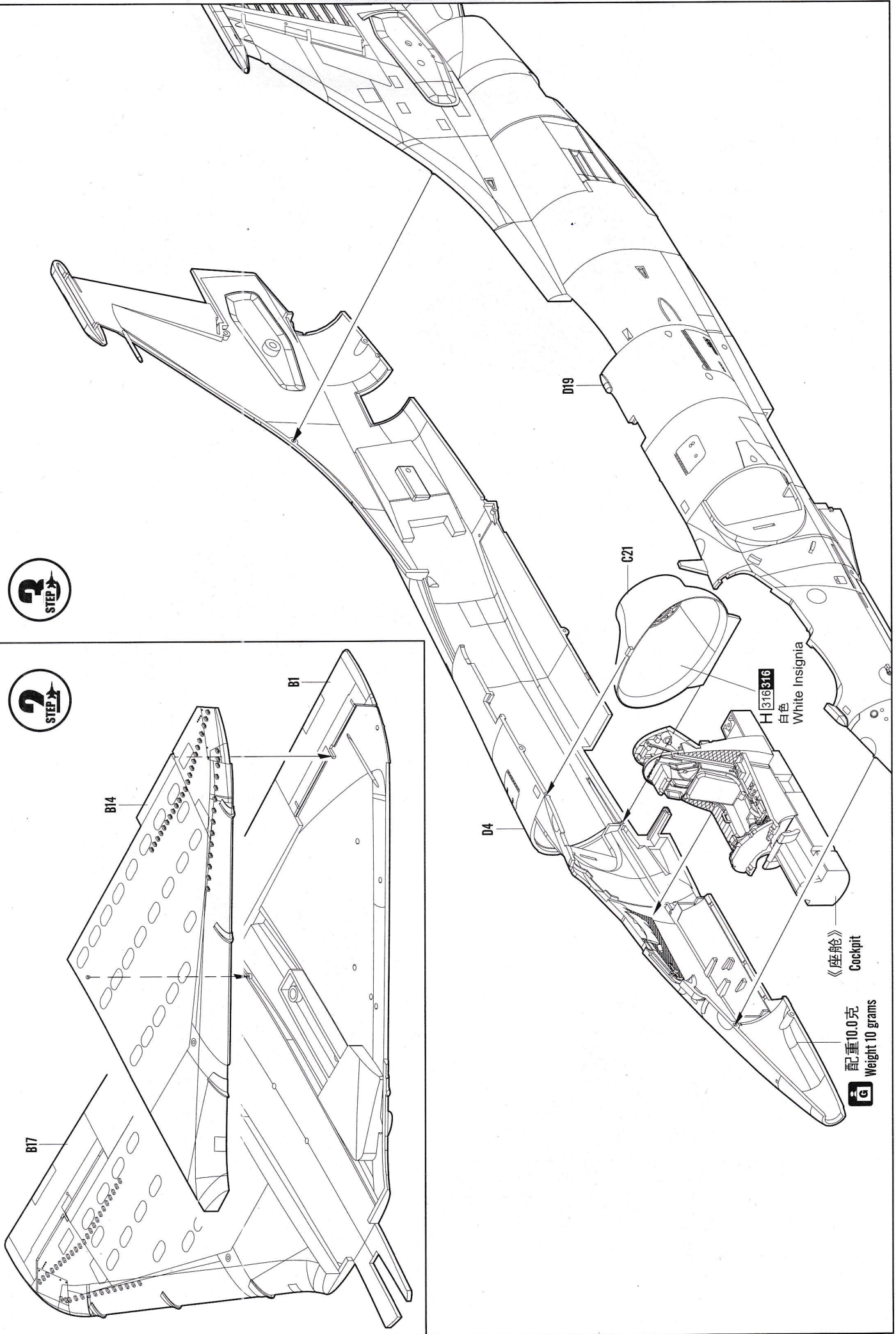
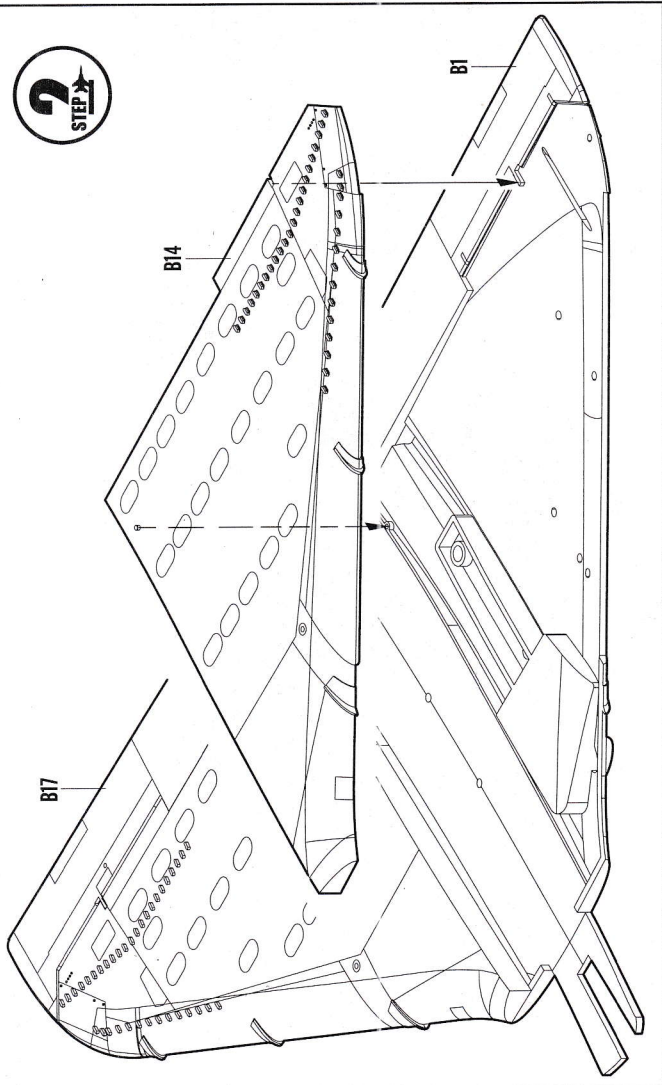
不用零件: C7,C33,J3,J4,J5,J6,J11,J12,J13,J14,J17,J18,J19,M1,M2,M5,M6,M7  
Unused parts





**2**  
STEP

**3**  
STEP



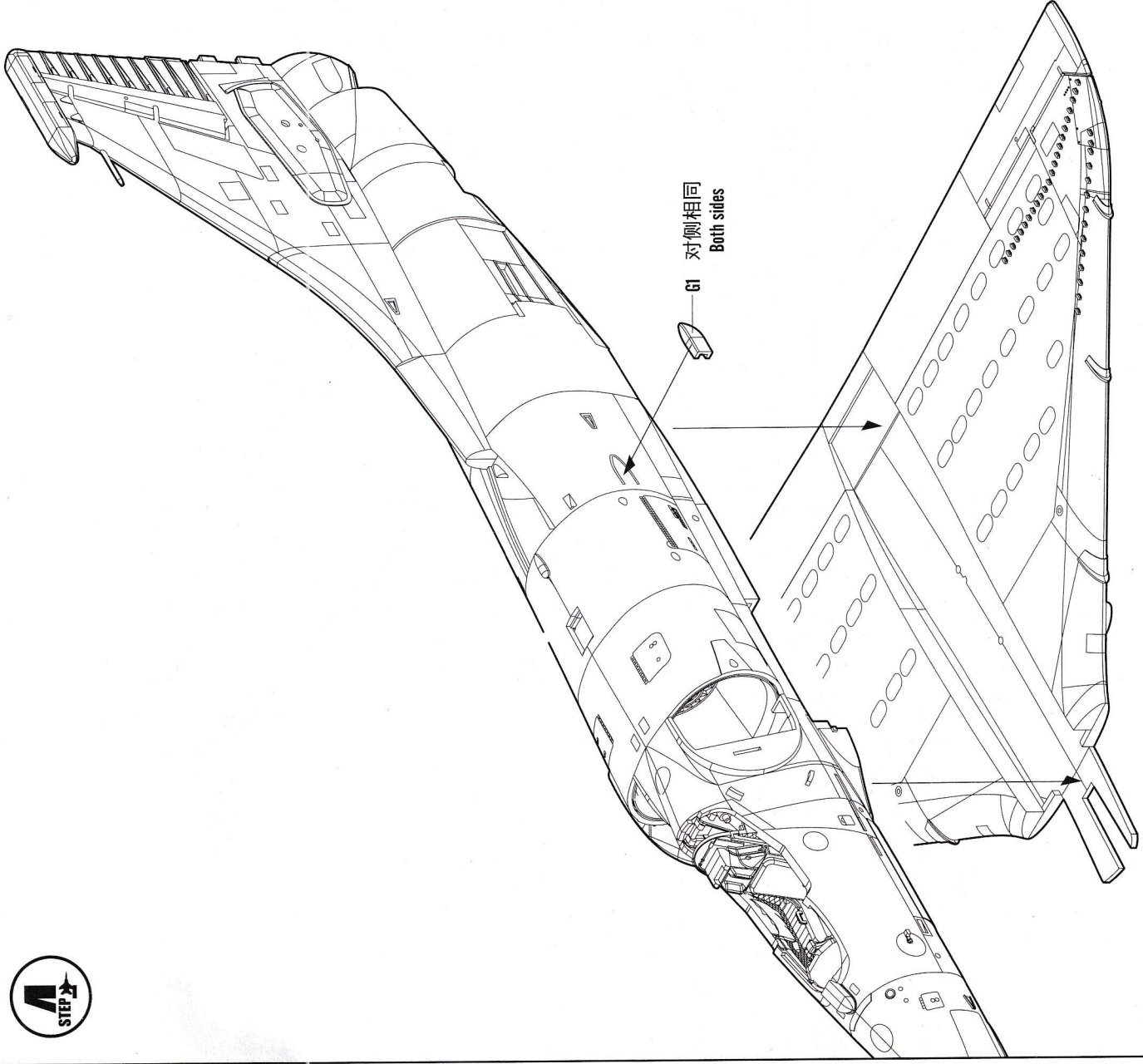
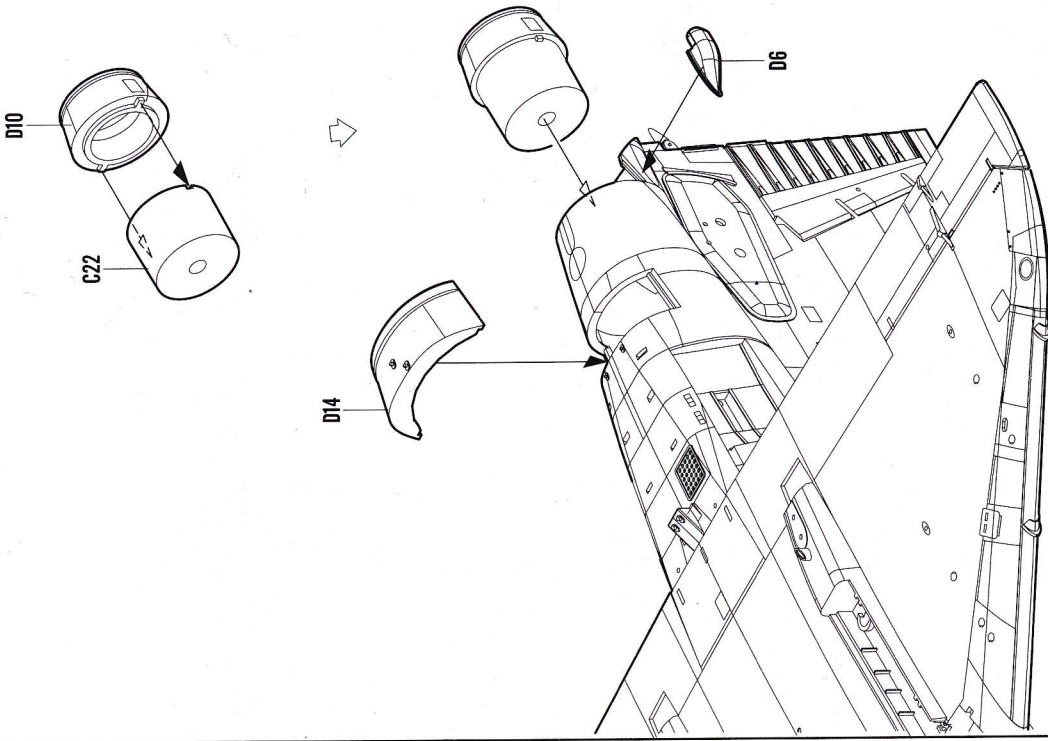
**G** 配重10.0克  
Weight 10 grams

《座舱》  
Cockpit

H 316316  
White Insignia  
白色

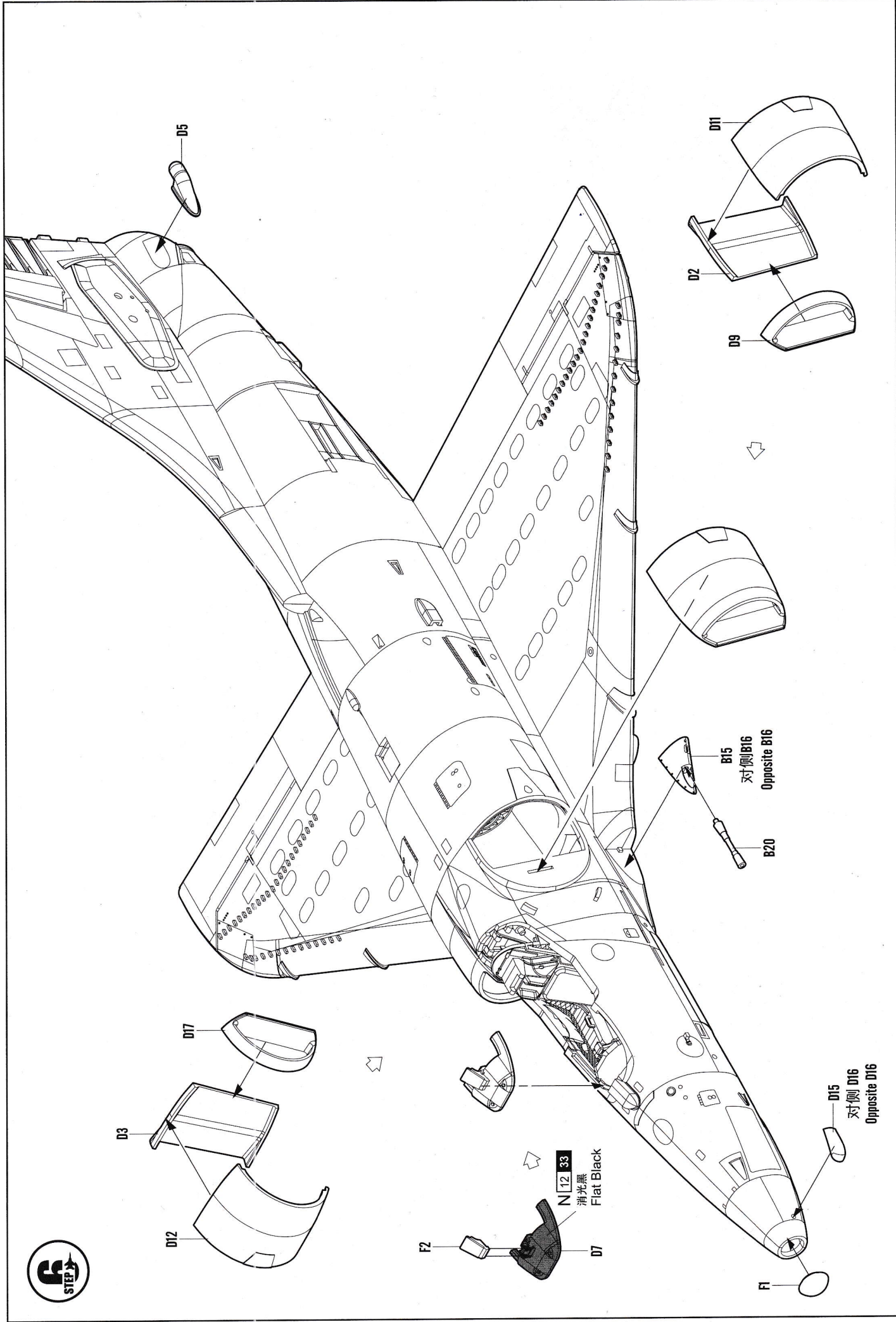
4



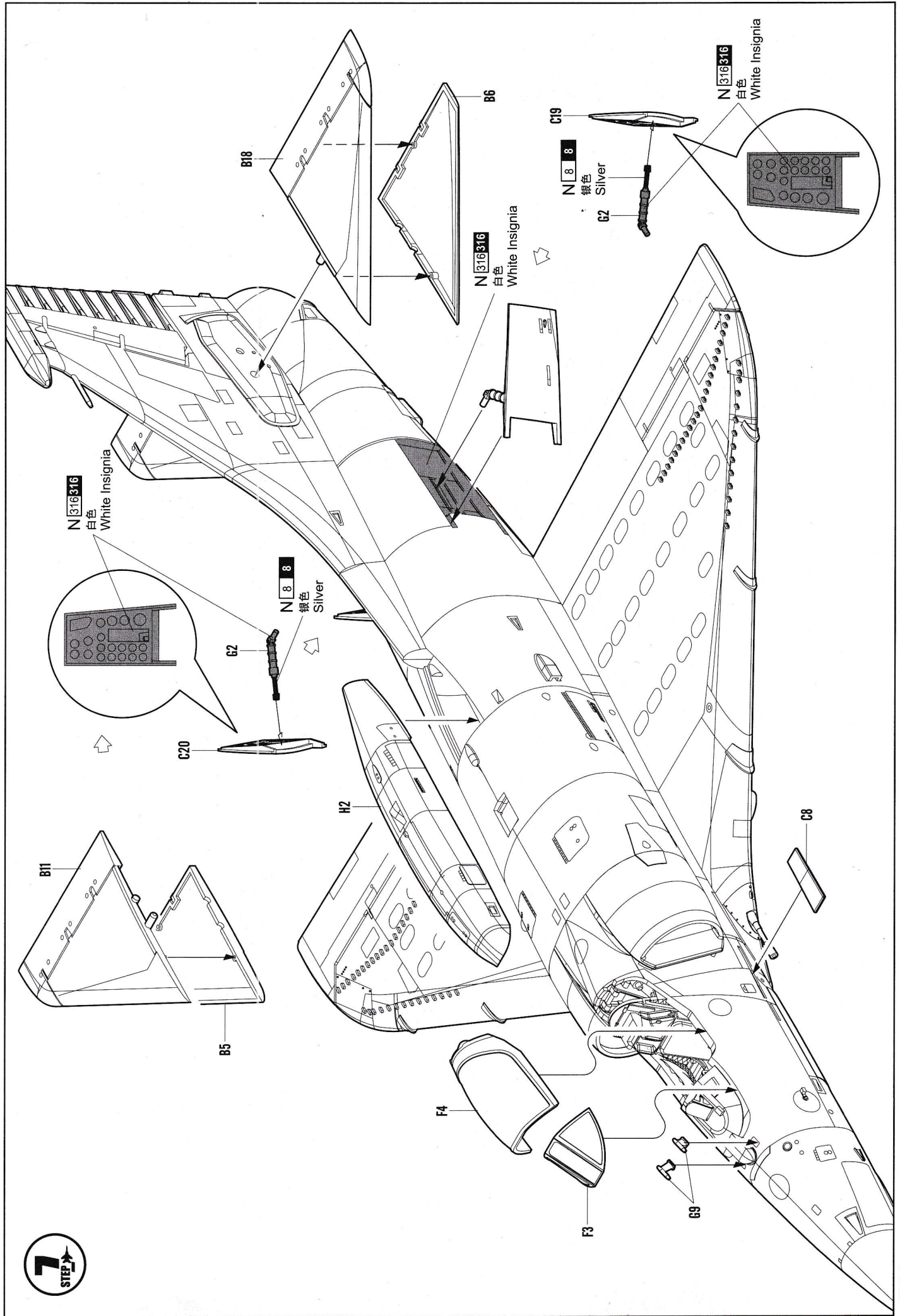


G1 对侧相同  
Both sides

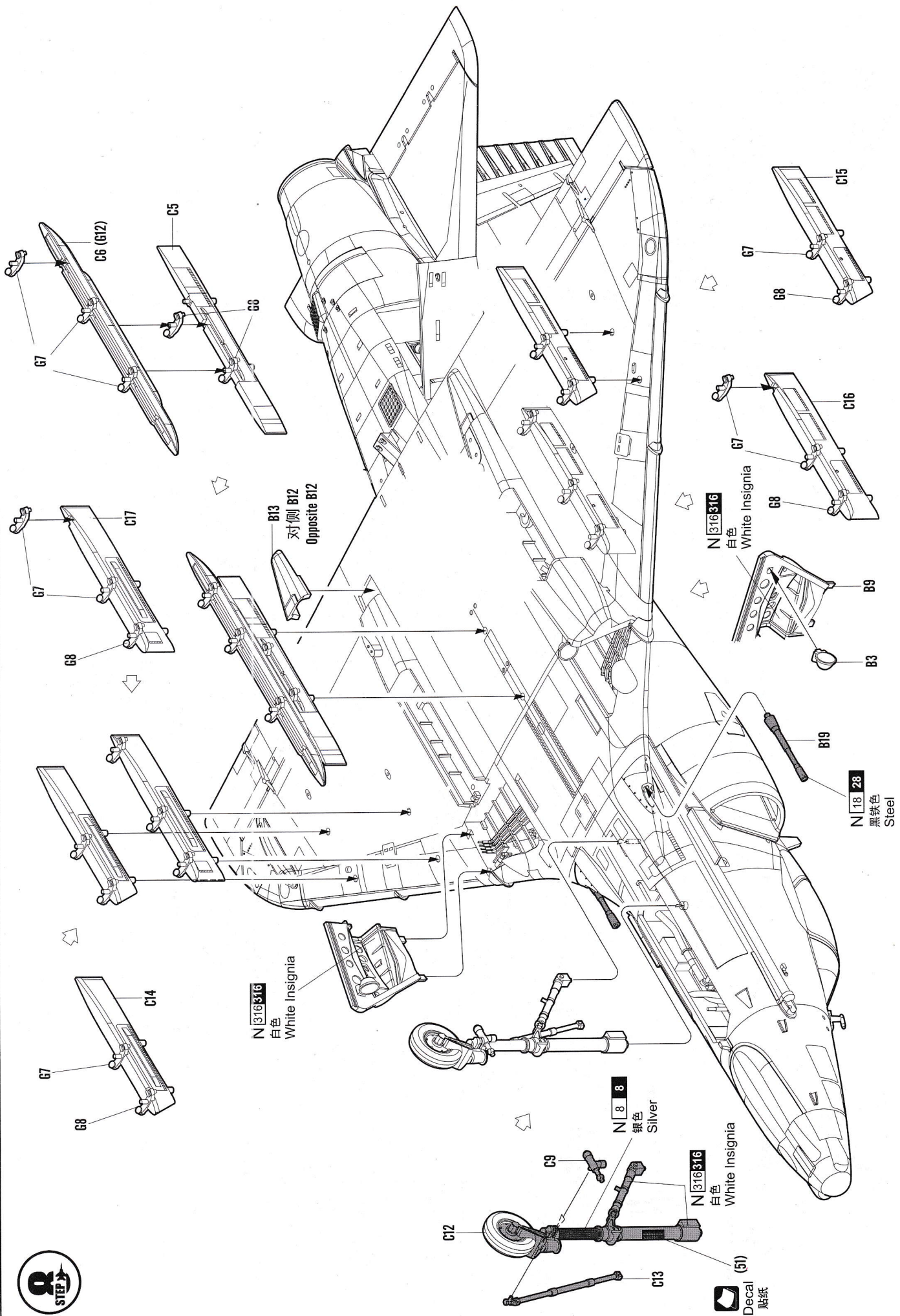








7  
STEP







63 + 610

H 316316

白色  
White Insignia

C3

(52)

Decal  
贴纸

对侧 B4  
Opposite B4

B8

B21

C11

C24

C18

C32 (F5)

B7

H 316316

白色  
White Insignia

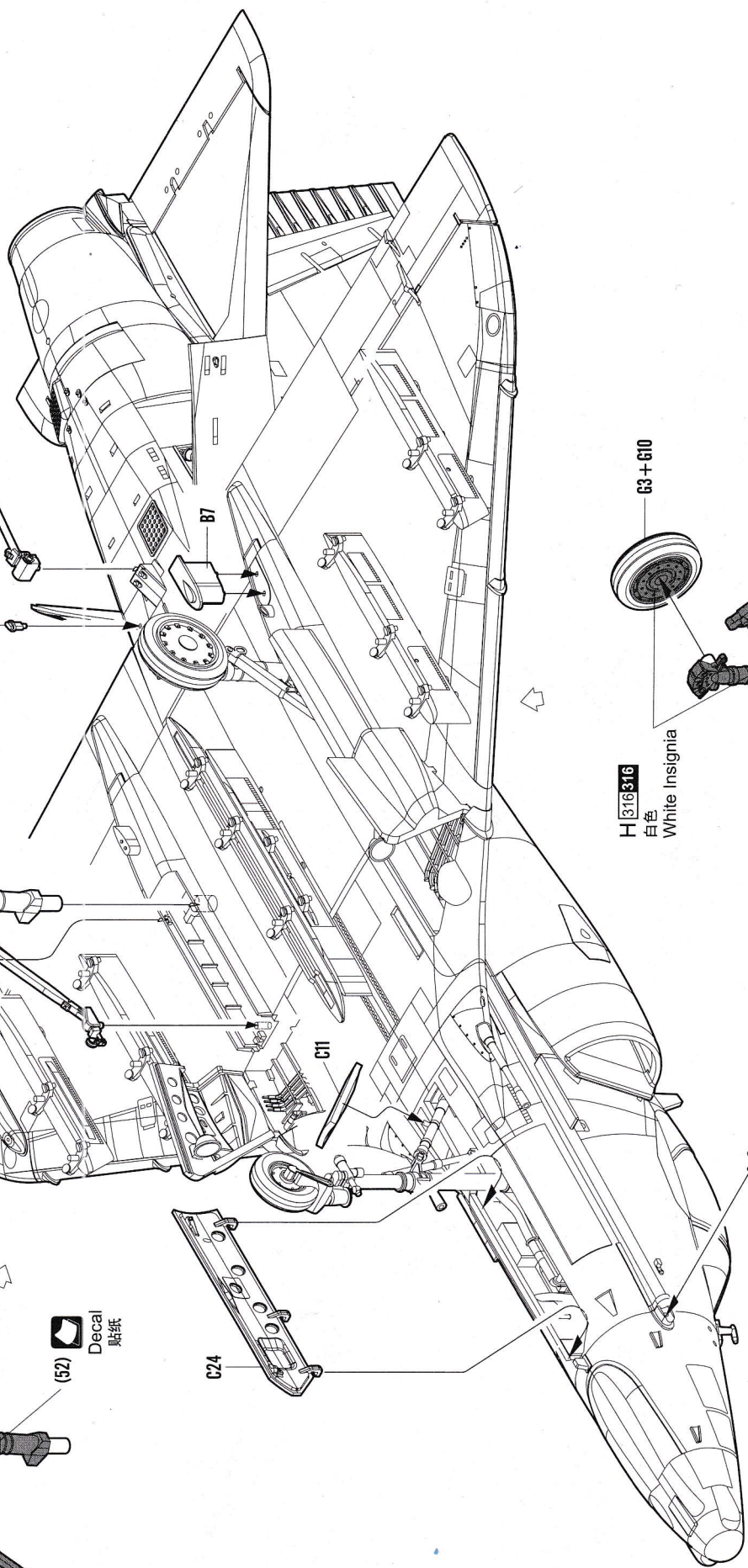
63 + 610

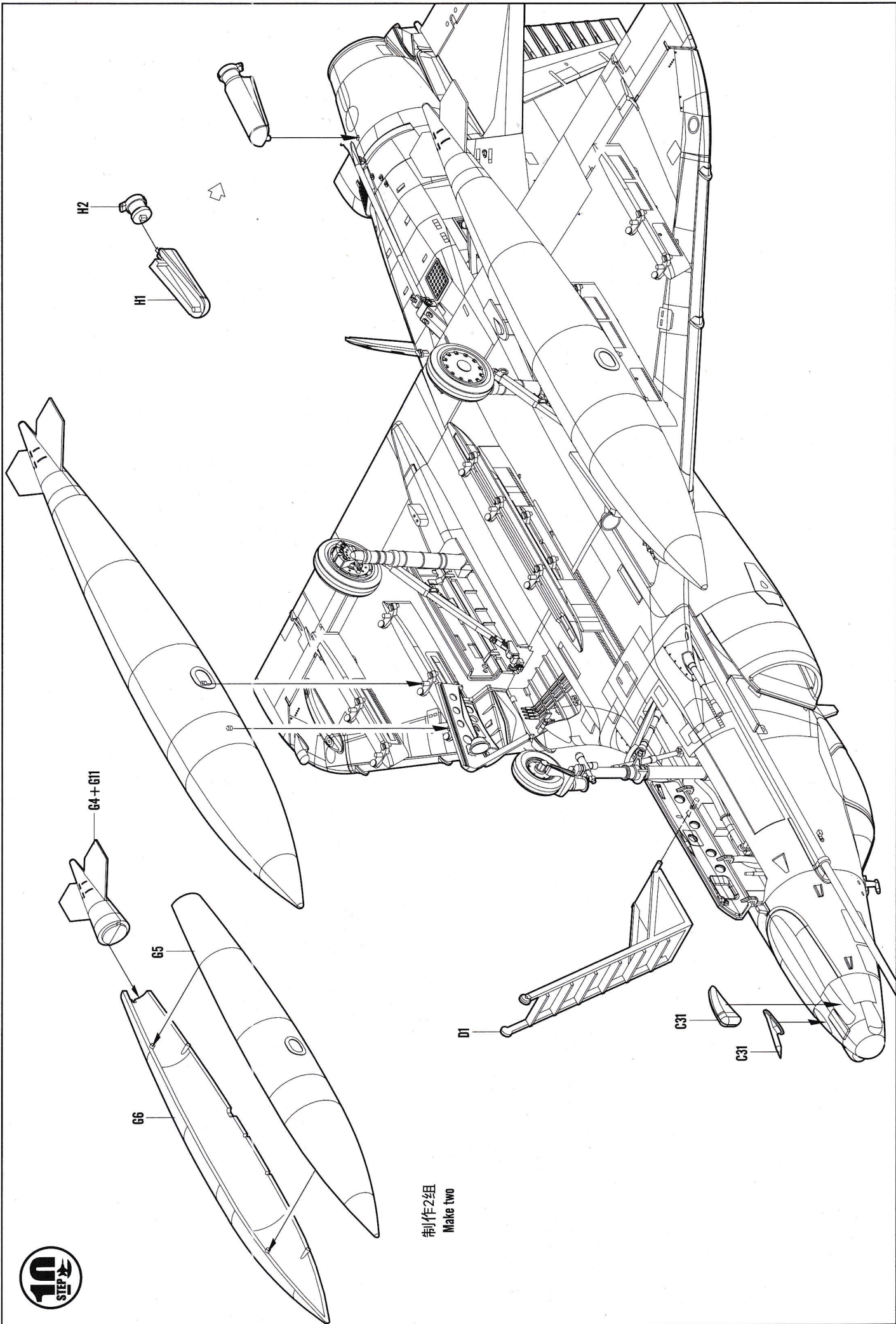
C4

(52)

Decal  
贴纸

D18





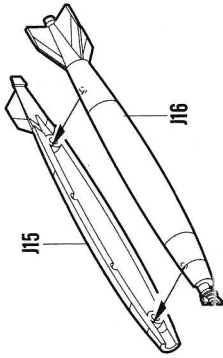
制作2组  
Make two

10  
STEP 2



《MK.82》

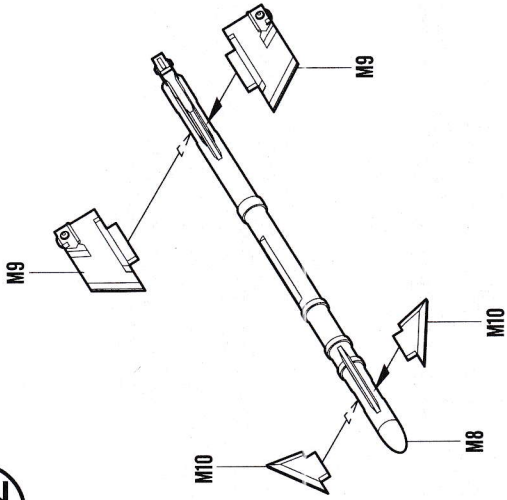
11  
STEP



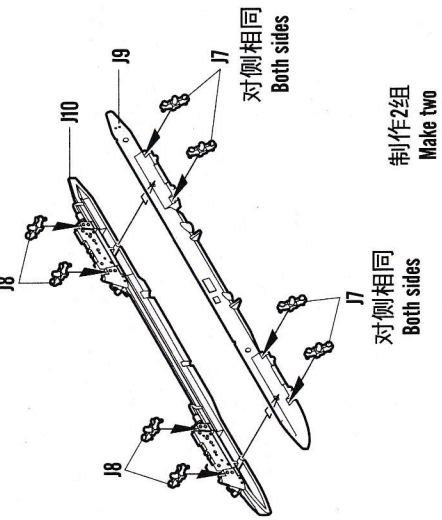
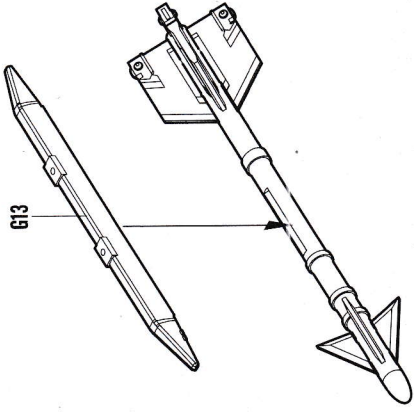
制作12组  
Make twelve

《AIM-9B》

12  
STEP



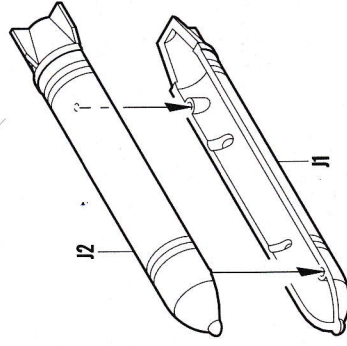
制作2组  
Make two



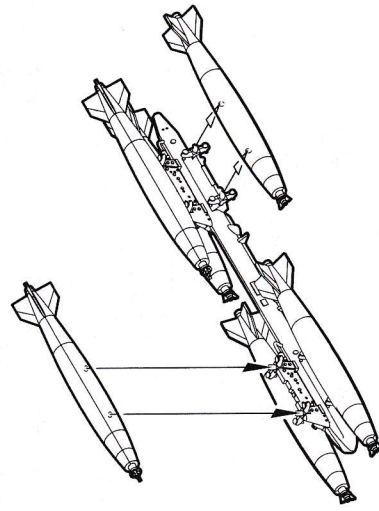
制作2组  
Make two

《MK.20》

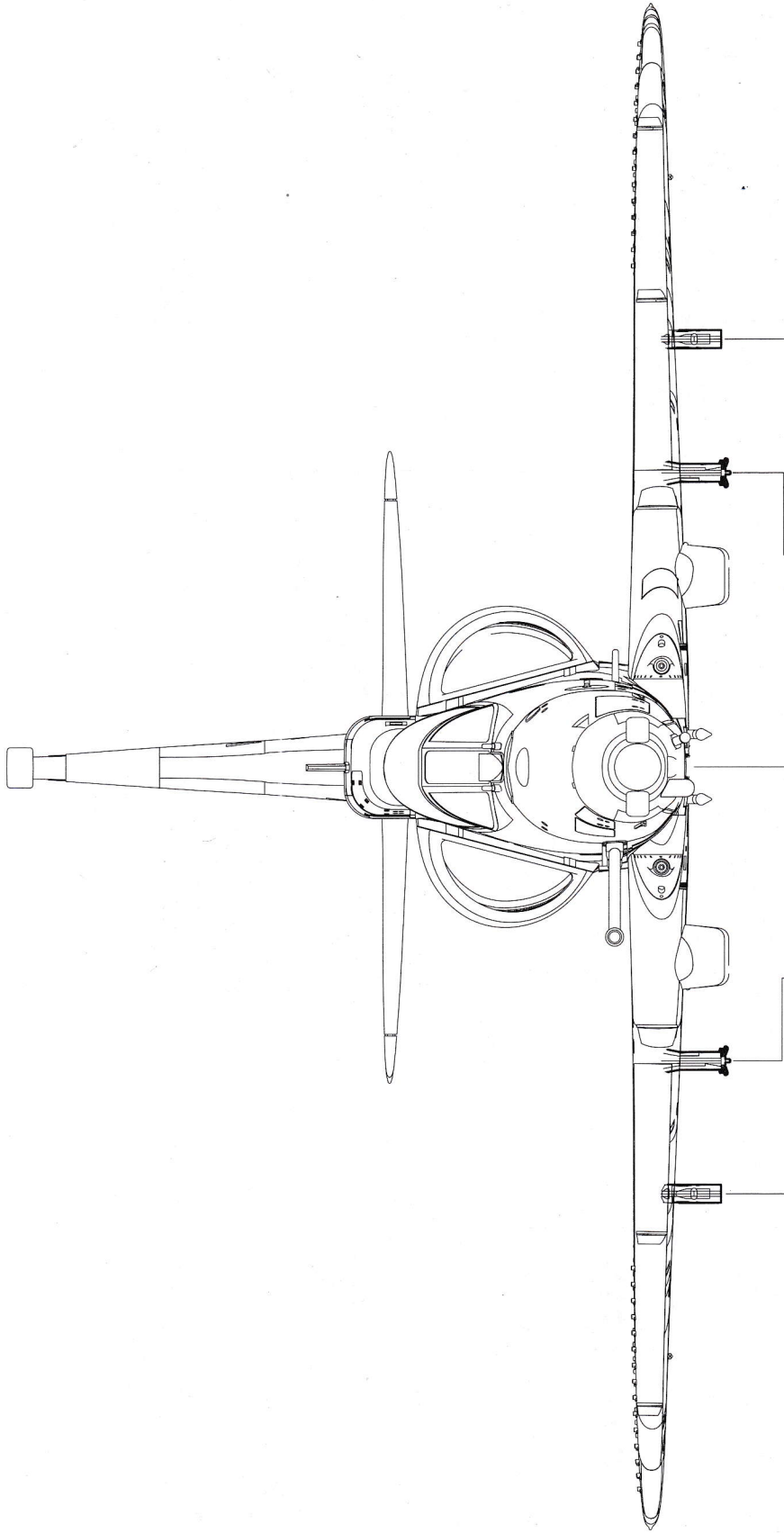
13  
STEP



制作2组  
Make two



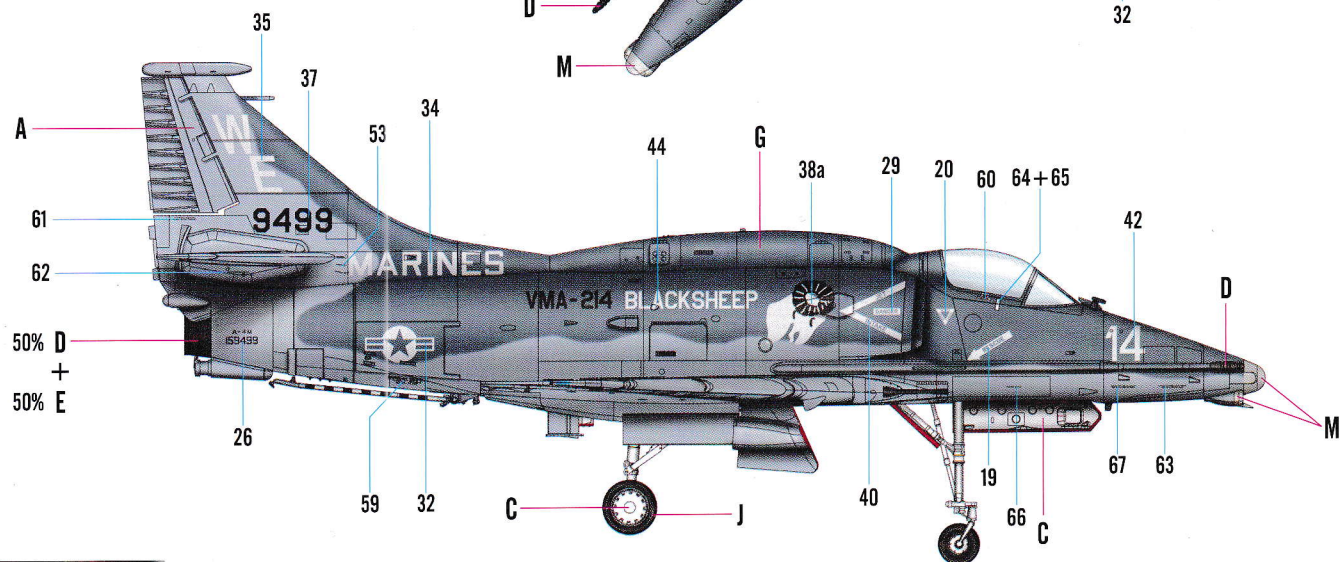
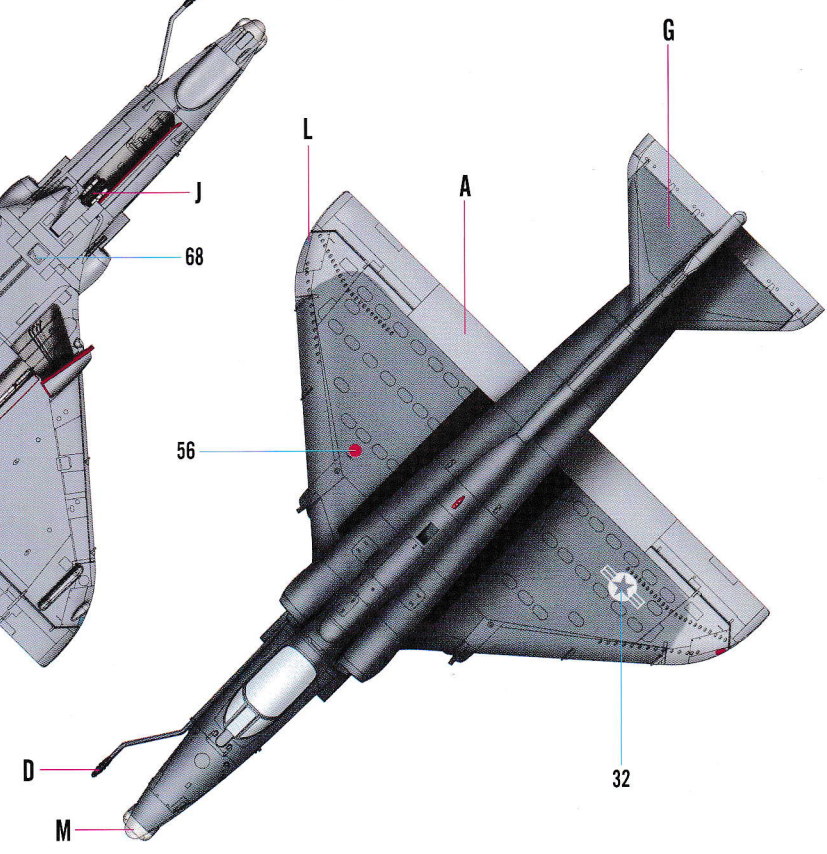
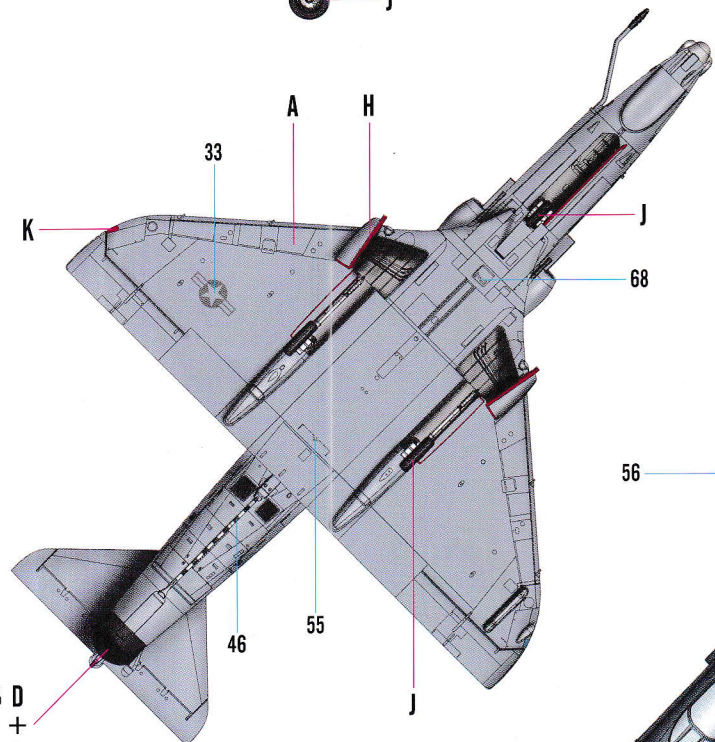
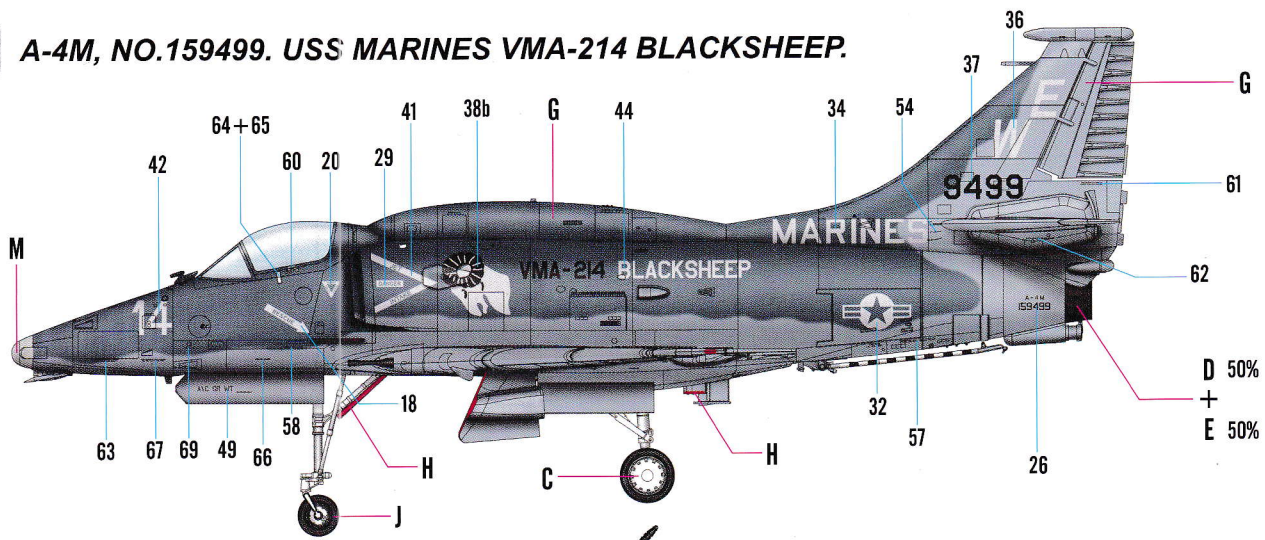
制作2组  
Make two



Weapon/Tank	Sta.No.	1	2	3	4	5
MK.82		•••	•••	•••	•••	•••
MK.20		•••	•••	•••	•••	•••
AIM-9B		•	•		•	•

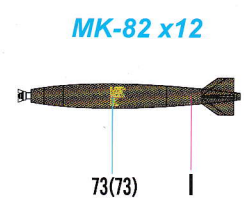
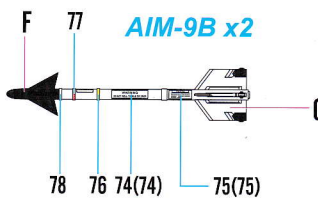
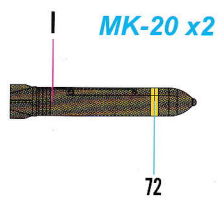
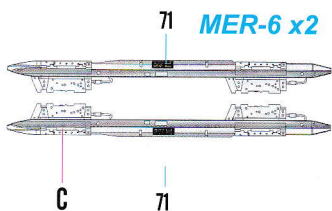
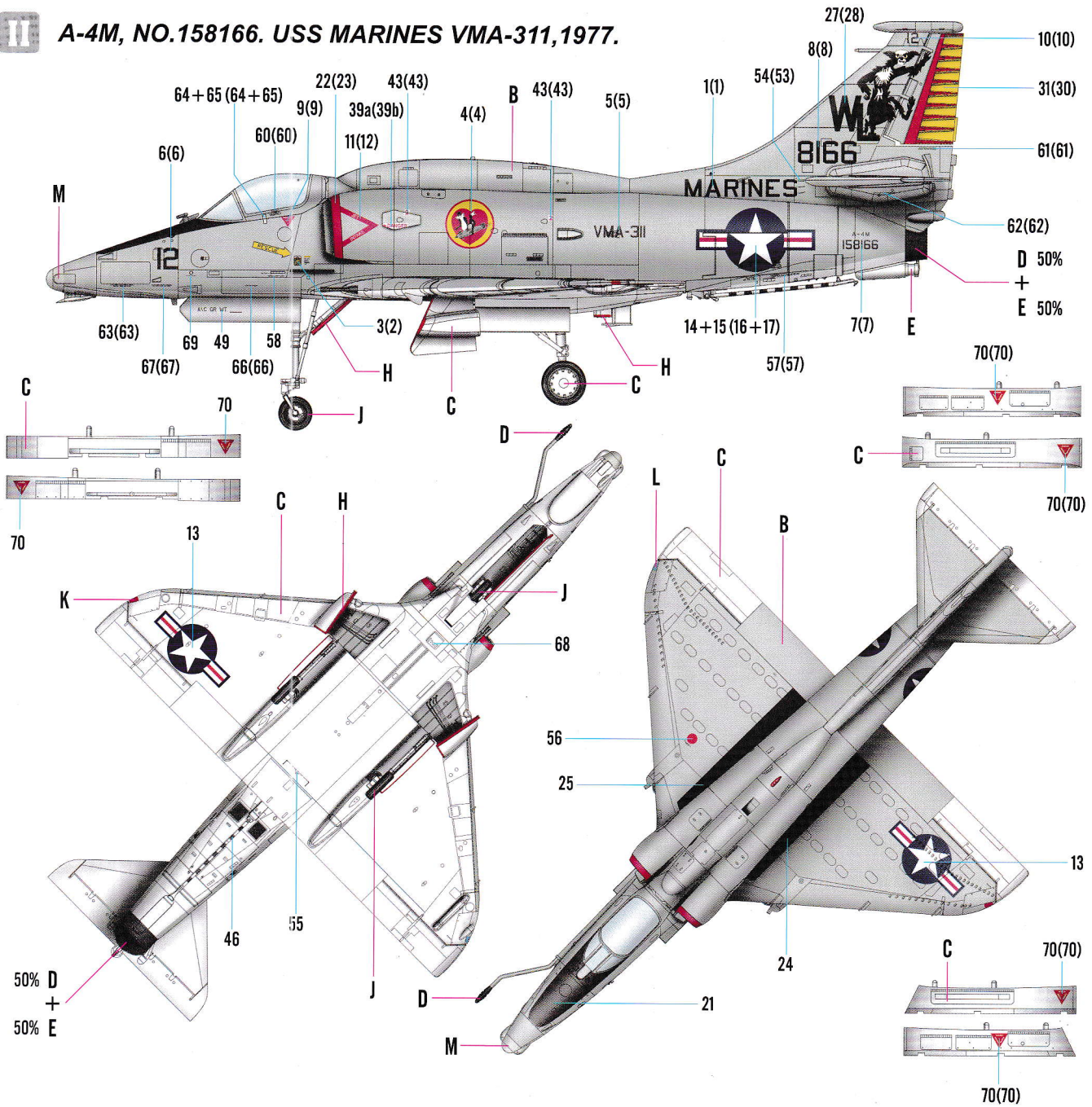


## I A-4M, NO.159499. USS MARINES VMA-214 BLACKSHEEP.





**II** A-4M, NO.158166. USS MARINES VMA-311, 1977.



Color	Mr.Hobby	Vallejo	Model Master	Tamiya	Humbrol	Color	Mr.Hobby	Vallejo	Model Master	Tamiya	Humbrol
<b>A</b> 灰色 Gray	N[303] 308	990	1728	XF19	127	<b>H</b> 红色 Red	N[3] 3	908	1503	X7	19
<b>B</b> 灰色 Light Gull	N[315] 315	843	1730	--	129	<b>I</b> 橄榄色 Olive Drab(2)	N[78] 38	--	--	--	--
<b>C</b> 白色 White Insigna	N[318] 316	991	1745	X2	22	<b>J</b> 胎黑色 Tire Black	N[77] 137	--	--	--	--
<b>D</b> 黑色 Steel	N[18] 28	864	1402	--	--	<b>K</b> 透明红 Clear Blue	N[90] 47	934	--	X27	--
<b>E</b> 银色 Silver	N[8] 6	997	1546	X11	11	<b>L</b> 透明蓝 Clear Blue	N[93] 50	938	--	X23	--
<b>F</b> 消光黑 Flat Black	N[12] 33	950	1749	XF1	33	<b>M</b> 整流罩色 Radome	N[318] 318	917	1709	--	148
<b>G</b> 灰色 Dark Compass Ghost Grey	N[307] 307	--	1741	XF22	128						

NO.:81766

\*Some paints may not be available in your country. Please check your local hobby shop for substitute